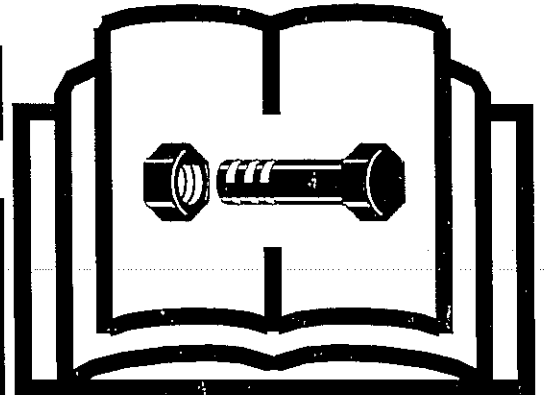


Vermeer

D24X40A Navigator



Parts Manual

PMMY98-2
SERIAL NO. 384-
ORDER NO. 105400-Q20

PARTS LISTS TABLE OF CONTENTS

FRAME ASSEMBLIES - SECTION 1

Decal Assembly (Domestic) (Fig. "1-1")	Page 1-1
Decal Assembly (International) (Fig. "1-2")	Page 1-2
Decal Location Assembly (Fig. "1-3")	Page 1-3
Decal Location Assembly (Fig. "1-4")	Page 1-4
Main Frame Assembly (Fig. "1-5")	Page 1-5
Outtrigger Arm Assembly (Fig. "1-10")	Page 1-10
Rack Frame Assembly (Fig. "1-6")	Page 1-6
Roller Assembly - Lower (Fig. "1-8")	Page 1-8
Roller Assembly - Thrust Cylinder (Fig. "1-9")	Page 1-9
Roller Assembly - Upper (Fig. "1-7")	Page 1-7
Umbrella Assembly (Fig. "1-11")	Page 1-11

ENGINE ASSEMBLIES - SECTION 2

Air Cleaner Assembly (Fig. "2-9")	Page 2-9
Air Cleaner Components (Fig. "2-12")	Page 2-12
Engine Components (Fig. "2-2")	Page 2-2
Engine Mount Assembly (Fig. "2-4")	Page 2-4
Engine Compartment Shields Assembly (Left) (Fig. "2-5")	Page 2-5
Engine Compartment Shields Assembly - Top/Right (Fig. "2-6")	Page 2-6
Engine Components (Fig. "2-1")	Page 2-1
Ether Starting System Assembly (Fig. "2-13")	Page 2-13
Fuel Tank Assembly (Fig. "2-11")	Page 2-11
Muffler Assembly (Fig. "2-10")	Page 2-10
Pump Drive Assembly (Fig. "2-3")	Page 2-3
Radiator Shield Assembly (Fig. "2-7")	Page 2-7
Radiator Assembly (Fig. "2-8")	Page 2-8

GROUND DRIVE ASSEMBLIES - SECTION 3

Brake Valves Assembly (Fig. "3-5")	Page 3-5
Control Valve Components - 3 Spool (Fig. "3-8")	Page 3-8
Control Valve Assembly - 3 Spool (Fig. "3-4")	Page 3-4
Hydraulic Components Location Diagram - Ground Drive (Fig. "3-1")	Page 3-1
Hydraulic Motor Components (Fig. "3-7")	Page 3-7
Load Check Plug Components (Fig. "3-9")	Page 3-9
Standard Spool Positioner Components (Fig. "3-10")	Page 3-9
Track Drive Gearbox Assembly (Fig. "3-2")	Page 3-2
Track Drive Gearbox Components (Fig. "3-6")	Page 3-6
Track Chain, Roller & Tightener Assembly (Fig. "3-3")	Page 3-3
WH Main Relief Components (Fig. "3-11")	Page 3-10

ROTATION ASSEMBLIES - SECTION 4

Drive Chuck Assembly (Fig. "4-9")	Page 4-9
Hose Carrier Components (Fig. "4-14")	Page 4-14
Hose Junction Block Assembly (Fig. "4-7")	Page 4-7
Hose Carrier Assembly (Fig. "4-8")	Page 4-8
Hydraulic Components Location Diagram - Rotation Drive (Fig. "4-1")	Page 4-1

PARTS LISTS TABLE OF CONTENTS (CONT.)

ROTATION ASSEMBLIES - SECTION 4 (CONT.)

Hydraulic Motor Components (Fig. "4-16")	Page 4-16
Hydraulic Motor Components (Fig. "4-15")	Page 4-15
Hydraulic Pump Components (Fig. "4-17")	Page 4-17
Hydrostatic Pump Assembly (Fig. "4-2")	Page 4-2
Loop Flush Valve Assembly (Fig. "4-5")	Page 4-5
Loop Flush Valve Components (Fig. "4-13")	Page 4-13
Pressure Limiter Valve Components (Fig. "4-12")	Page 4-12
Pressure Limiter Valve Assembly (Fig. "4-6")	Page 4-6
Rod Position Indicator Assembly (Fig. "4-10")	Page 4-10
Rotation Gearbox Components (Fig. "4-11")	Page 4-11
Rotation Gearbox Assembly (Fig. "4-3")	Page 4-3
Rotation Drive Motor Hydraulics Assembly (Fig. "4-4")	Page 4-4

HYDRAULIC IMPLEMENT DRIVE ASSEMBLIES - SECTION 5

Bulkhead Assembly (Fig. "5-14")	Page 5-14
Control Valve Assembly - 3 Spool (Fig. "5-6")	Page 5-6
Control Valve Components - 4 Spool (Fig. "5-15")	Page 5-15
Control Valve Assembly - 4 Spool (Fig. "5-7")	Page 5-7
Dump Valve Components (Fig. "5-16")	Page 5-16
Dump Valve Assembly (Fig. "5-9")	Page 5-9
Hydraulic Oil Filter Assembly (Fig. "5-4")	Page 5-4
Hydraulic Oil Tank Assembly (Fig. "5-3")	Page 5-3
Hydraulic Components Location Diagram - Implement Drive (Fig. "5-1")	Page 5-1
Hydraulic Cylinder Components - 4" x 7" (Fig. "5-18")	Page 5-18
Hydraulic Cylinder Components - 4 ½" x 65" (Fig. "5-20")	Page 5-20
Hydraulic Cylinder Components - 3 ½" x 12" (Fig. "5-19")	Page 5-19
Implement Pump Assembly (Fig. "5-5")	Page 5-5
Lock Valve Components (Fig. "5-17")	Page 5-17
Miscellaneous Supplies (Fig. "5-2")	Page 5-2
Outrigger Cylinder Assembly (Fig. "5-13")	Page 5-13
Rack Lift Cylinder Assembly (Fig. "5-12")	Page 5-12
Regen Valve Assembly (Fig. "5-10")	Page 5-10
Solenoid Valve Assembly (Vise Clamp & Rod Loader) (Fig. "5-8")	Page 5-8
Solenoid Valve Components (Rod Loader) (Fig. "5-22")	Page 5-22
Solenoid Valve Components (Vise Clamp) (Fig. "5-21")	Page 5-21
Thrust/PullBack Cylinder Assembly (Fig. "5-11")	Page 5-11
Valve Components - Selectable Regen (Fig. "5-23")	Page 5-23

HYDRAULIC WATER SYSTEM ASSEMBLIES - SECTION 6

Gear Pump Assembly (Fig. "6-2")	Page 6-2
Hydraulic Components Location Diagram - Water System (Fig. "6-1")	Page 6-1
Hydraulic Motor Assembly (Fig. "6-3")	Page 6-3
Hydraulic Cylinder Components - 1" x 3 ½" (Fig. "6-8")	Page 6-8
Hydraulic Motor Components (Fig. "6-9")	Page 6-9
Inline Relief Valve Components (Fig. "6-10")	Page 6-10

PARTS LISTS TABLE OF CONTENTS (CONT.)

HYDRAULIC WATER SYSTEM ASSEMBLIES - SECTION 6 (CONT.)

Oil Cooler Assembly (Fig. "6-6")	Page 6-6
Proportional Valve Components (Fig. "6-11")	Page 6-11
Proportional Valve Assembly (Fig. "6-5")	Page 6-5
Solenoid Valve Components (Fig. "6-12")	Page 6-12
Water Pump On/Off Cylinder Assembly (Fig. "6-7")	Page 6-7
Water Control Valve Assembly (Fig. "6-4")	Page 6-4

WATER SYSTEM ASSEMBLIES - SECTION 7

Anti-Freeze System Assembly (Fig. "7-3")	Page 7-3
Ball Valve Components - 1" High Pressure (Fig. "7-5")	Page 7-6
Drill Fluid (Fig. "7-6")	Page 7-7
Wand Assembly (Fig. "7-1")	Page 7-1
Water Pressure Manifold Components (Fig. "7-7")	Page 7-8
Water Pump Components (Fig. "7-4")	Page 7-4 & 7-5
Water Pump Assembly - 38 Gallon (Fig. "7-2")	Page 7-2

CONTROL/ELECTRICAL ASSEMBLIES - SECTION 8

Battery Assembly (Fig. "8-8")	Page 8-8
Control Panel Assembly (Fig. "8-2")	Page 8-2
Control Console Assembly (Fig. "8-1")	Page 8-1
Control Lever Assembly (Thrust/Pullback) (Fig. "8-10")	Page 8-10
Control Lever Assembly (Rotation) (Fig. "8-9")	Page 8-9
Engine Electrical Panel/Harness Assembly (Fig. "8-5")	Page 8-5
Literature Box Assembly (Fig. "8-13")	Page 8-13
Pressure Gauge Assembly (Fig. "8-11")	Page 8-11
Seat Pivot Latch Assembly (Fig. "8-4")	Page 8-4
Seat Assembly (Fig. "8-11")	Page 8-11
Throttle Assembly (Fig. "8-7")	Page 8-7
Vandal Shield Assembly (Fig. "8-3")	Page 8-3
Wire Harness Assembly (Fig. "8-6")	Page 8-6
Work Light Assembly (Fig. "8-14")	Page 8-14

GROUND/SAFETY ASSEMBLIES - SECTION 9

Ground Stake Assembly (Fig. "9-2")	Page 9-2
Safety Features - Gloves, Boots, Cones (Fig. "9-3")	Page 9-3
Voltage Stake Assembly (Fig. "9-1")	Page 9-1

ROD LOADER ASSEMBLIES - SECTION 10

Hydraulic Components Location Diagram - Rod Loader (Fig. "10-1")	Page 10-1
Hydraulic Cylinder Components - 2" x 5" (Fig. "10-9")	Page 10-9
Hydraulic Motor Components (Fig. "10-11")	Page 10-11
Hydraulic Cylinder Components - 1 1/2" x 5" (Fig. "10-10")	Page 10-10
Pivot Arm Assembly (Fig. "10-2")	Page 10-2

PARTS LISTS TABLE OF CONTENTS (CONT.)

ROD LOADER ASSEMBLIES - SECTION 10 (CONT.)

Rod Selector Cylinder Assembly (Fig. "10-6") Page 10-6
Rod Lifter Cylinder Assembly (Fig. "10-7") Page 10-7
Rod Lifter/Selector Assembly (Fig. "10-3") Page 10-3
Rod Loader Valve Assembly (Fig. "10-5") Page 10-5
Rod Box Assembly (Fig. "10-4") Page 10-4
Rotation Motor Assembly (Fig. "10-8") Page 10-8

WISE CLAMP ASSEMBLIES - SECTION 11

Clamp Assembly (Fig. "11-2") Page 11-2
Hydraulic Components Location Diagram - Vise Clamp (Fig. "11-1") Page 11-1
Hydraulic Cylinder Components - 2 1/2" x 3" (Fig. "11-8") Page 11-8
Hydraulic Cylinder Components - 3" x 6 5/8" (Fig. "11-7") Page 11-7
Jaw Cylinder Assembly (Fig. "11-6") Page 11-6
Rotation Cylinder Assembly (Fig. "11-5") Page 11-5
Solenoid Valve Assembly - 3 Bank (Vise Clamp) (Fig. "11-4") Page 11-4
Zap Alert Coil Assembly (Fig. "11-3") Page 11-3

LOCATION SPOT D TEK ASSEMBLIES - SECTION 12

Location Package, Spot D Tek II.2 Utility (Fig. "12-1") Page 12-1
Location Package, Spot D Tek II.2, III & IIIA (Fig. "12-2") Page 12-2
Location Package, Spot D Tek Mole Mapping System (Fig. "12-3") Page 12-3
Spot D Tek II.2 Directional Probe (Repairable) Components (Fig. "12-4") Page 12-4
Spot D Tek II.2 Deep Sonde (Repairable) Components (Fig. "12-5") Page 12-5

LOCATION DIGITRAK ASSEMBLIES - SECTION 13

Data Logger, Mark III - Digitrak (Fig. "13-4") Page 13-4
Location Package, Mark III - Digitrak (W/Remote Display) Domestic (Fig. "13-2") Page 13-2
Location Package, Mark III - Digitrak (W/Remote Display) International (Fig. "13-3") Page 13-3
Location Package, Mark III - Digitrak - Domestic and International (Fig. "13-1") Page 13-1

STAKE DOWN ASSEMBLIES - SECTION 14

Cylinder Assist - Power Stake Down (Fig. "14-2") Page 14-2
Hydraulic Motor Components (Fig. "14-4") Page 14-4
Hydraulic Cylinder Components - 1 1/2" x 8" (Fig. "14-5") Page 14-5
Power Stake Down Assembly (Fig. "14-1") Page 14-1
Stake Assembly (Fig. "14-3") Page 14-3

STATIONARY STAKE DOWN ASSEMBLIES - SECTION 15

Hydraulic Components Location Diagram - Stationary Stake Down (Fig. "15-1") Page 15-1
Hydraulic Motor Components (Fig. "15-5") Page 15-5
Hydraulic Cylinder Components - 1 1/2" x 24" (Fig. "15-6") Page 15-6
Lock Valve Assembly (Fig. "15-3") Page 15-3

PARTS LISTS TABLE OF CONTENTS (CONT.)

STATIONARY STAKE DOWN ASSEMBLIES - SECTION 15 (CONT.)

Shut off Valve Components (Fig. "15-7")	Page 15-7
Shutoff Valve Assembly (Fig. "15-4")	Page 15-4
Stationary Stake Down Assembly (Fig. "15-2")	Page 15-2

POWER VISE ASSEMBLIES - SECTION 16

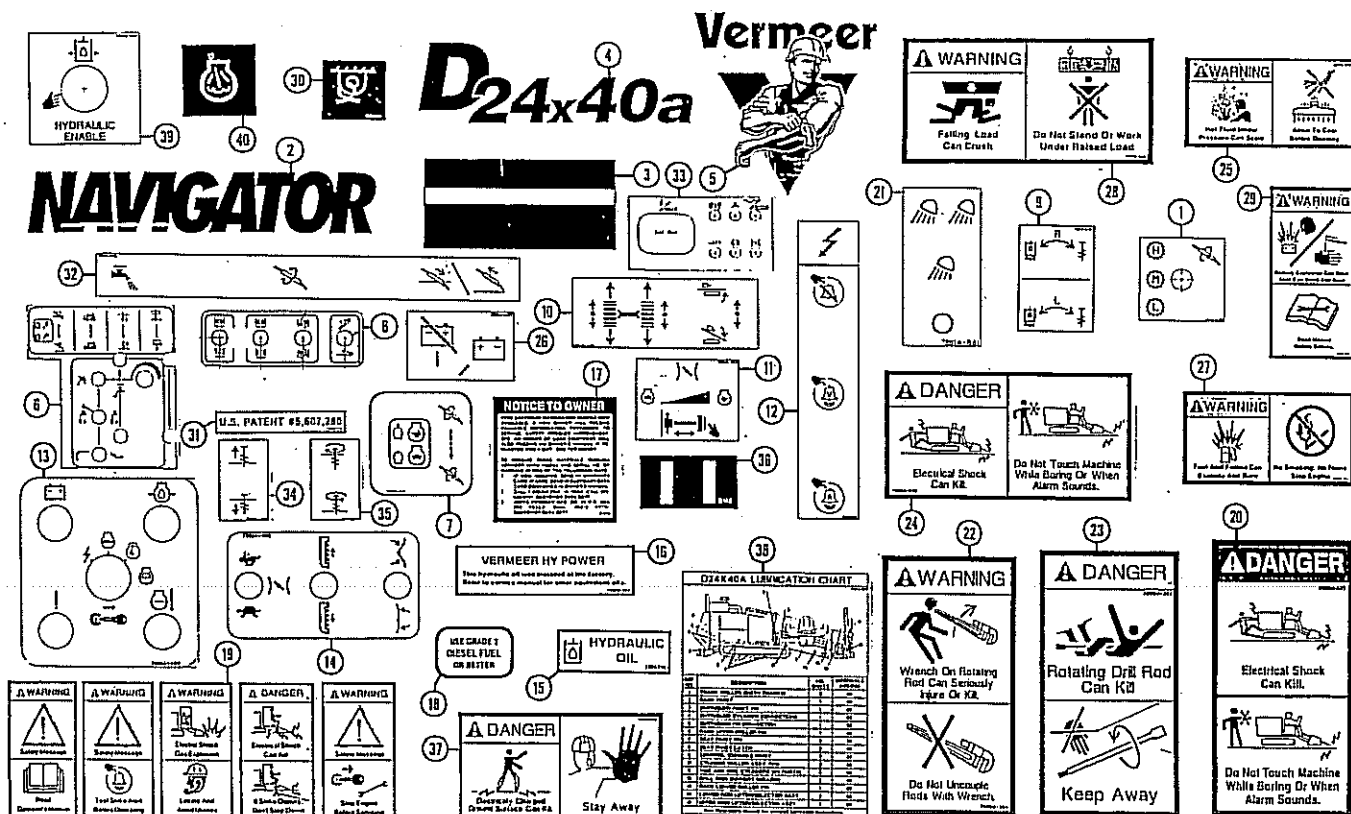
Hydraulic Cylinder Components - 2" x 15" (Fig. "16-3")	Page 16-3
Tubing Tong Components (Fig. "16-2")	Page 16-2
Tubing Tong Assembly (Fig. "16-1")	Page 16-1

ROCK DRILLING HEAD ASSEMBLY - SECTION 17

Rock Drilling Head Assembly (Fig. "17-1")	Page 17-1
---	-----------

DECAL ASSEMBLY (DOMESTIC)

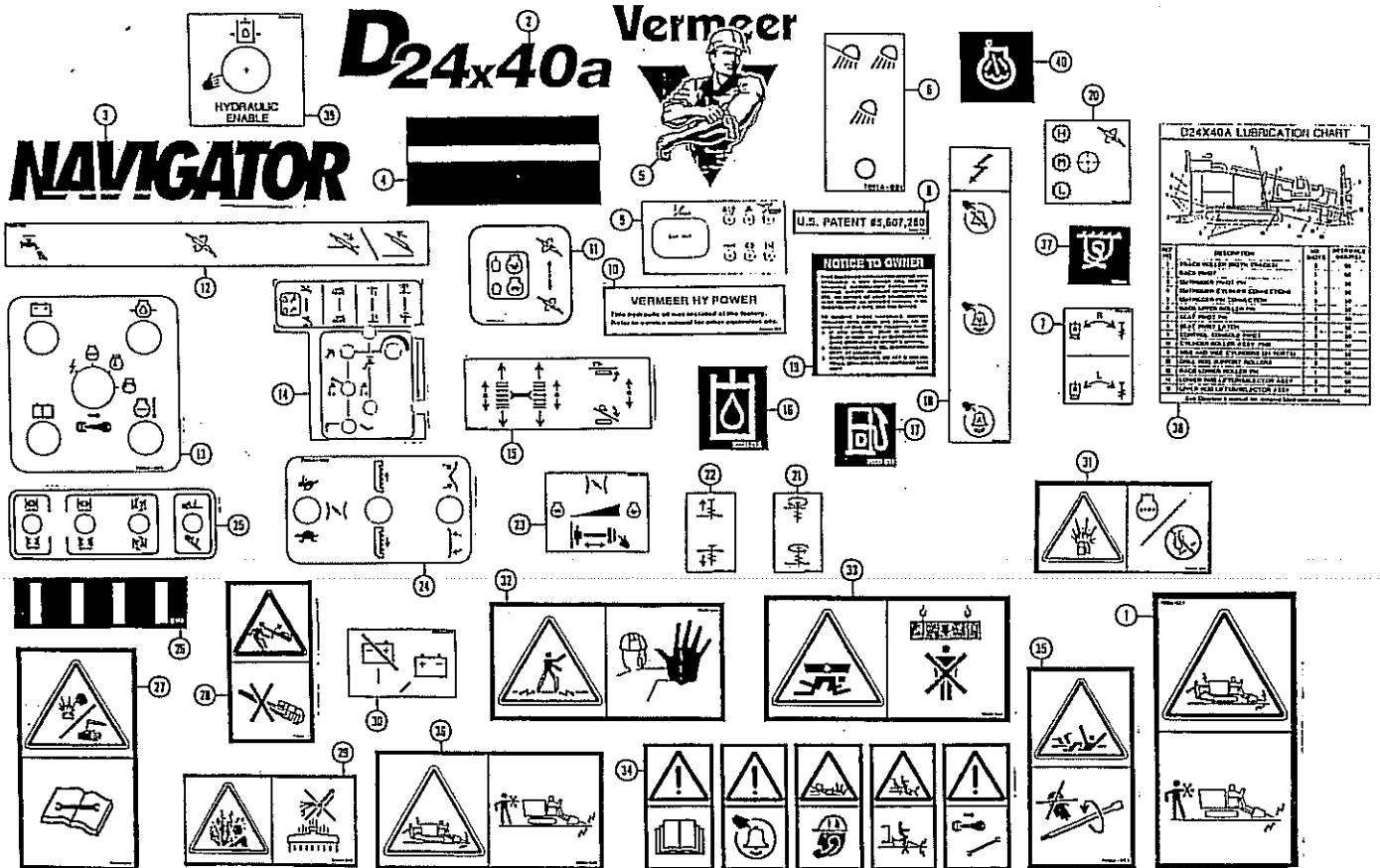
Figure 1-1



REF. NO.	PART NO.	DESCRIPTION	QTY.	REF. NO.	PART NO.	DESCRIPTION	QTY.
1-1	1	7001A-679 DECAL-DRILL 3 POSITION	1	1-1	22	7000A-394 DECAL - WARNING	1
1-1	2	70000-614 DECAL-MODEL NAVIGATOR (BIG)	2	1-1	23	7000A-393 DECAL - DANGER	1
1-1	3	70000-775 DECAL 3"VERMEER STRIPE (SPECIFY LENGTH)	9'6"	1-1	24	7000A-576 DECAL-DANGER	1
1-1	4	7000A-778 DECAL-MODEL (D24X40A)	2	1-1	25	2326-315 DECAL-WARNING	1
1-1	5	70000-785 DECAL 8"VERMEER LOGO	2	1-1	26	7001A-477 DECAL-BATTERY SWITCH (UG)	1
1-1	6	7001A-743 DECAL-CONTROL PANEL	1	1-1	27	2326-324 DECAL-WARNING/REFUEL	1
1-1	7	7001A-441 DECAL-ROD ROTATION (UG)	1	1-1	28	70000-563 DECAL-WARNING (UND)	2
1-1	8	7001A-426 DECAL-ROD VISES (UND)	1	1-1	29	70000-044 DECAL-WARNING(AT/UND)	1
1-1	9	7001A-696 DECAL-HYD. STAKE/REMOTE	1	1-1	30	70000-834 DECAL-TIE DOWN POINT	5
1-1	10	7001A-472 DECAL-CTRL. TRACK & RACK (UG)	1	1-1	31	7000A-740 DECAL-U.S. PATENT #5, 607, 280	1
1-1	11	7001A-473 DECAL-THROTTLE (UG)	1	1-1	32	7001A-488 DECAL-INSTRUMENTS (UG)	1
1-1	12	7001A-474 DECAL-STRIKE ALERT (UG)	1	1-1	33	7001A-771 DECAL-BREAKER LIGHTS	1
1-1	13	7001A-409 DECAL-IGNITION (UND)	1	1-1	34	7001A-305 DECAL-STAKE DRIVE THRUST (UND)	1
1-1	14	7001A-408 DECAL-LOADER (UND)	1	1-1	35	7001A-306 DECAL-STAKE DRIVER ROTAT.(UND)	1
1-1	15	2326-756 DECAL-HYDRAULIC OIL	1	1-1	36	2326-142 DECAL-INDICATOR	1
1-1	16	70000-394 DECAL-VERMEER HY POWER	1	1-1	37	70000-530 DECAL-DANGER	4
1-1	17	2326-940 DECAL-NOTICE TO OWNERS	1	1-1	38	7000A-900 DECAL-D24X40A LUBE CHART	1
1-1	18	70000-098 DECAL-DIESEL (AT/UND)	1	1-1	39	7001A-967 DECAL-HYDRAULIC PRESET	1
1-1	19	7000A-528 DECAL-WARNING	1	1-1	40	7001A-193 DECAL-ETHER STARTING (UND)	1
1-1	20	7000A-627 DECAL-DANGER	4				
1-1	21	7001A-881 DECAL-WORK LIGHT	1				
					901228-069	DECAL ASSY-D24X40A NAV DOMESTIC (INC. ALL DECALS IN FIGURE 1-1)	

DECAL ASSEMBLY (INTERNATIONAL)

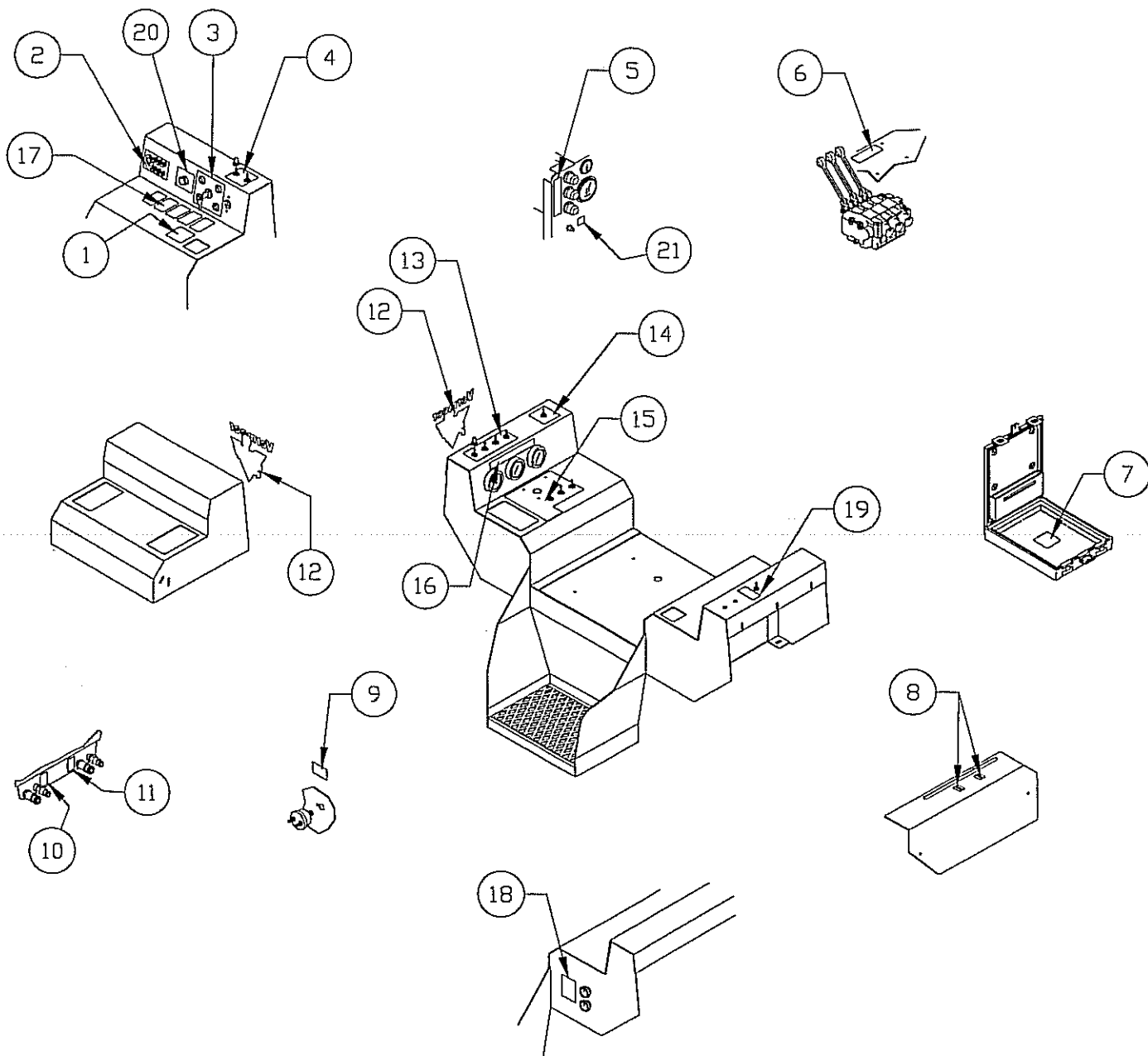
Figure 1-2



REF. NO.	PART NO.	DESCRIPTION	QTY.	REF. NO.	PART NO.	DESCRIPTION	QTY.		
1-2	1	7001A-627	DECAL-DANGER	4	1-2	22	7001A-305	DECAL-STAKE DRIVE THRUST (UND)	1
1-2	2	7000A-778	DECAL-MODEL (D24X40A)	2	1-2	23	7001A-473	DECAL-THROTTLE (UG)	1
1-2	3	70000-614	DECAL-MODEL NAVIGATOR (BIG)	2	1-2	24	7001A-408	DECAL-LOADER (UND)	1
1-2	4	70000-775	DECAL 3" VERMEER STRIPE (SPECIFY LENGTH)	9'6"	1-2	25	7001A-426	DECAL-ROD VISES (UND)	1
1-2	5	70000-785	DECAL 8" VERMEER LOGO	2	1-2	26	2326-142	DECAL-INDICATOR	1
1-2	6	7001A-881	DECAL-WORK LIGHT	1	1-2	27	70001-044	DECAL-WARNING	1
1-2	7	7001A-696	DECAL-HYD. STAKE/REMOTE	1	1-2	28	7001A-394	DECAL - WARNING	1
1-2	8	7000A-740	DECAL-U.S. PATENT #5, 607, 280	1	1-2	29	23261-315	DECAL-WARNING	1
1-2	9	7001A-771	DECAL-BREAKER LIGHTS	1	1-2	30	7001A-477	DECAL-BATTERY SWITCH (UG)	1
1-2	10	70000-394	DECAL-VERMEER HY POWER	1	1-2	31	23261-324	DECAL-WARNING	1
1-2	11	7001A-441	DECAL-ROD ROTATION (UG)	1	1-2	32	70001-530	DECAL-DANGER	4
1-2	12	7001A-488	DECAL-INSTRUMENTS (UG)	1	1-2	33	70001-563	DECAL-WARNING (UND)	2
1-2	13	7001A-409	DECAL-IGNITION (UND)	1	1-2	34	7001A-528	DECAL-WARNING	1
1-2	14	7001A-743	DECAL-CONTROL PANEL	1	1-2	35	7001A-393	DECAL - DANGER	1
1-2	15	7001A-472	DECAL-CTRL TRACK & RACK (UG)	1	1-2	36	7001A-576	DECAL-DANGER	1
1-2	16	23261-756	DECAL-HYDRAULIC FLUID	1	1-2	37	70000-834	DECAL-TIE DOWN POINT	5
1-2	17	70001-098	DECAL-DIESEL FUEL	1	1-2	38	7000A-900	DECAL-D24X40A LUBE CHART	1
1-2	18	7001A-474	DECAL-STRIKE ALERT (UG)	1	1-2	39	7001A-967	DECAL-HYDRAULIC PRESET	1
1-2	19	2326-940	DECAL-NOTICE TO OWNERS	1	1-2	40	7001A-193	DECAL-ETHER STARTING (UND)	1
1-2	20	7001A-679	DECAL-DRILL 3 POSITION	1					
1-2	21	7001A-306	DECAL-STAKE DRIVER ROTAT.(UND)	1		901228-070	DECAL ASSY-D24X40A NAV INTERNA (INC. ALL DECALS IN FIGURE 1-2)		

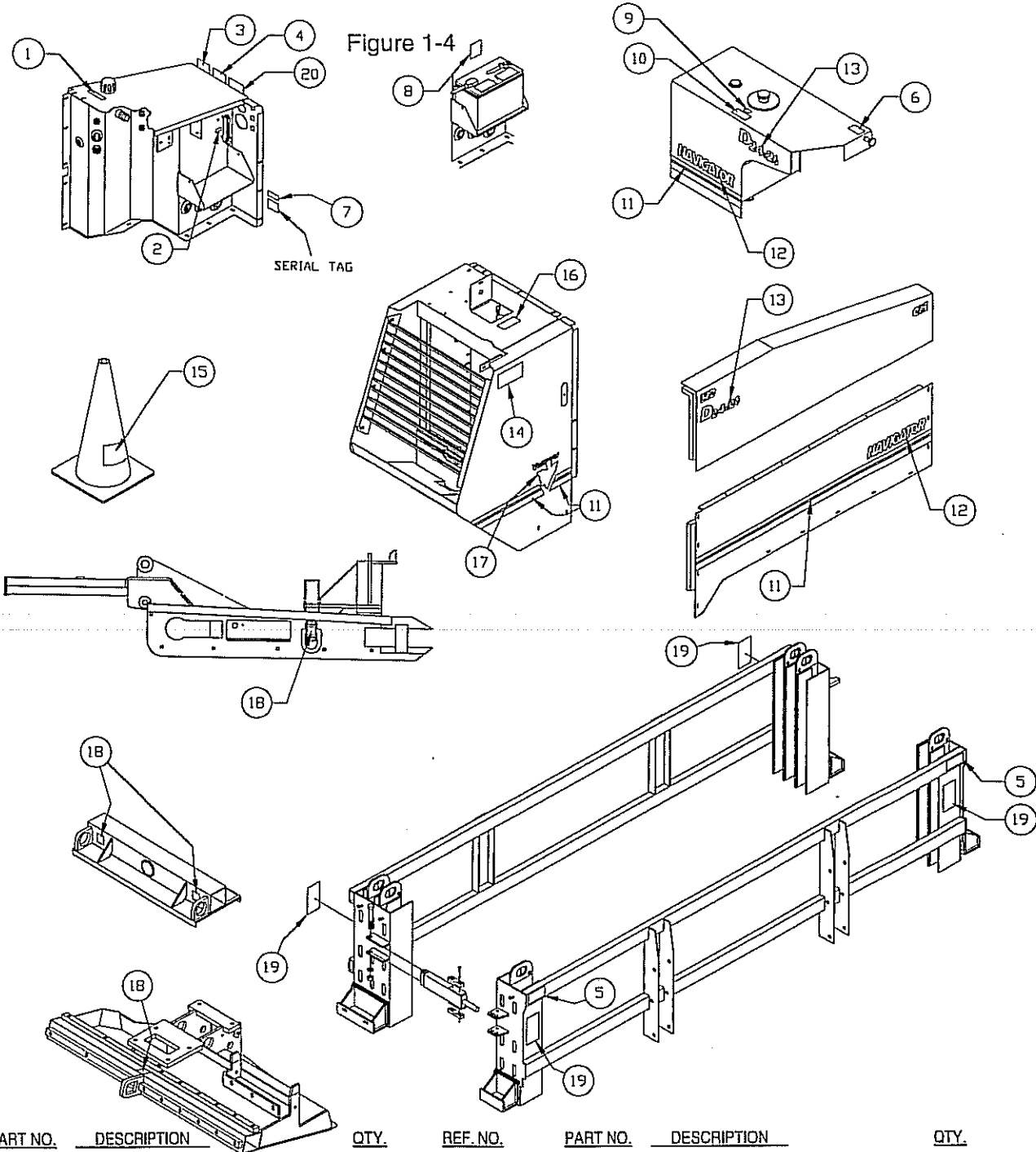
DECAL LOCATION ASSEMBLY

Figure 1-3



REF. NO.	PART NO.	DESCRIPTION	QTY.	REF. NO.	PART NO.	DESCRIPTION	QTY.		
1-3	1	7001A-441	DECAL-ROD ROTATION (UG)	1	1-3	12	70000-785	DECAL 8"VERMEER LOGO	2
1-3	2	7001A-771	DECAL-BREAKER LIGHTS	1	1-3	13	7001A-426	DECAL-ROD VISES (UND)	1
1-3	3	7001A-409	DECAL-IGNITION (UND)	1	1-3	14	7001A-679	DECAL-DRILL 3 POSITION	1
1-3	4	7001A-408	DECAL-LOADER (UND)	1	1-3	15	7001A-743	DECAL-CONTROL PANEL	1
1-3	5	7001A-474	DECAL-STRIKE ALERT (UG)	1	1-3	16	7001A-488	DECAL-INSTRUMENTS (UG)	1
1-3	6	7001A-472	DECAL-CTRL. TRACK & RACK (UG)	1	1-3	17	7001A-528	DECAL-WARNING	1
1-3	7	2326-940	DECAL-NOTICE TO OWNERS	1			7000A-528	DECAL-WARNING	1
1-3	8	2326-142	DECAL-INDICATOR	2	1-3	18	7001A-696	DECAL-HYD. STAKE/REMOTE	1
1-3	9	7001A-477	DECAL_BATTERY SWITCH (UG)	1	1-3	19	7001A-881	DECAL-WORK LIGHT	1
1-3	10	7001A-305	DECAL-STAKE DRIVE THRUST (UND)	1	1-3	20	7001A-967	DECAL-HYDRAULIC PRESET	1
1-3	11	7001A-306	DECAL-STAKE DRIVER ROTAT.(UND)	1	1-3	21	7001A-193	DECAL-ETHER STARTING (UND)	1

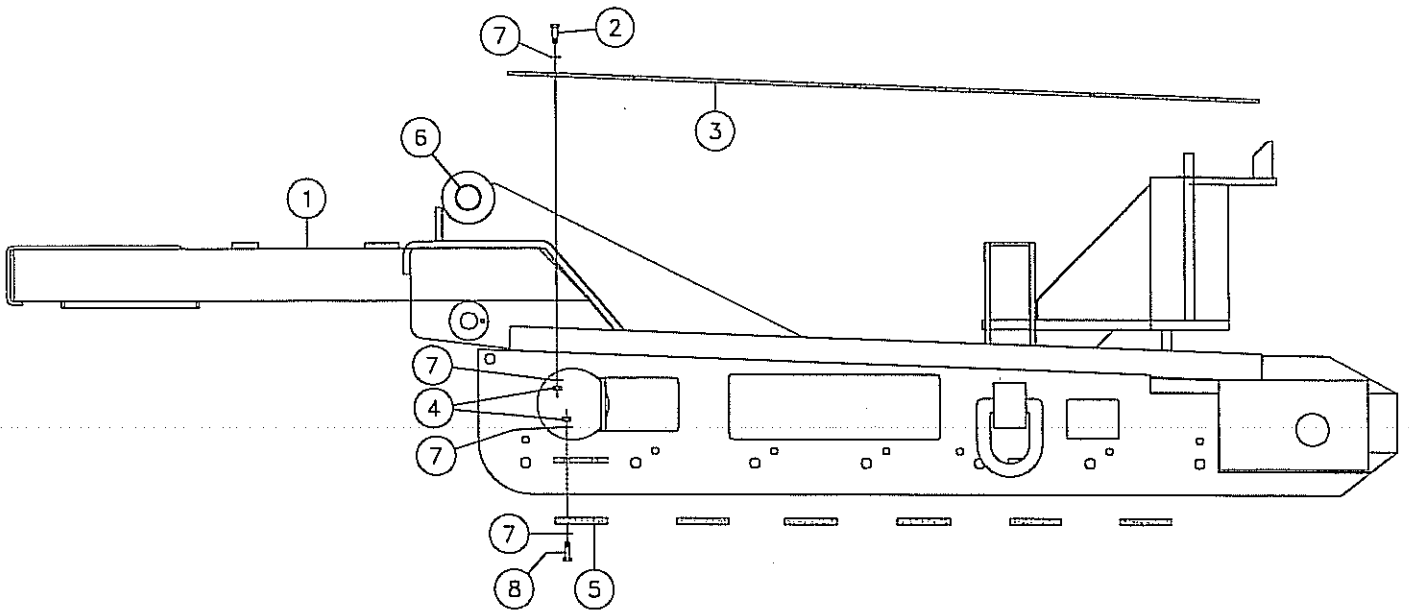
DECAL LOCATION ASSEMBLY



REF. NO.	PART NO.	DESCRIPTION	QTY.	REF. NO.	PART NO.	DESCRIPTION	QTY.
1-4	1	70000-394	1	1-4	11	2326I-324	1
1-4	2	2326-756	1	1-4	12	70000-775	9'6"
		2326I-756	1	1-4	13	70000-614	2
1-4	3	7000A-393	1	1-4	14	7000A-778	2
1-4	4	7000A-394	1	1-4	15	7000A-576	1
		700IA-394	1	1-4	16	700IA-576	1
1-4	5	70000-563	2	1-4	17	70000-530	4
		7000I-563	2	1-4	18	7000I-530	4
1-4	6	700IA-473	1	1-4	19	2326-315	1
1-4	7	7000A-740	1			2326I-315	1
1-4	8	70000-044	1	1-4	17	70000-785	2
		7000I-044	1	1-4	18	70000-834	5
1-4	9	70000-098	1	1-4	19	7000A-627	4
		7000I-098	1			700IA-627	4
1-4	10	2326-324	1	1-4	20	7000A-900	1

MAIN FRAME ASSEMBLY

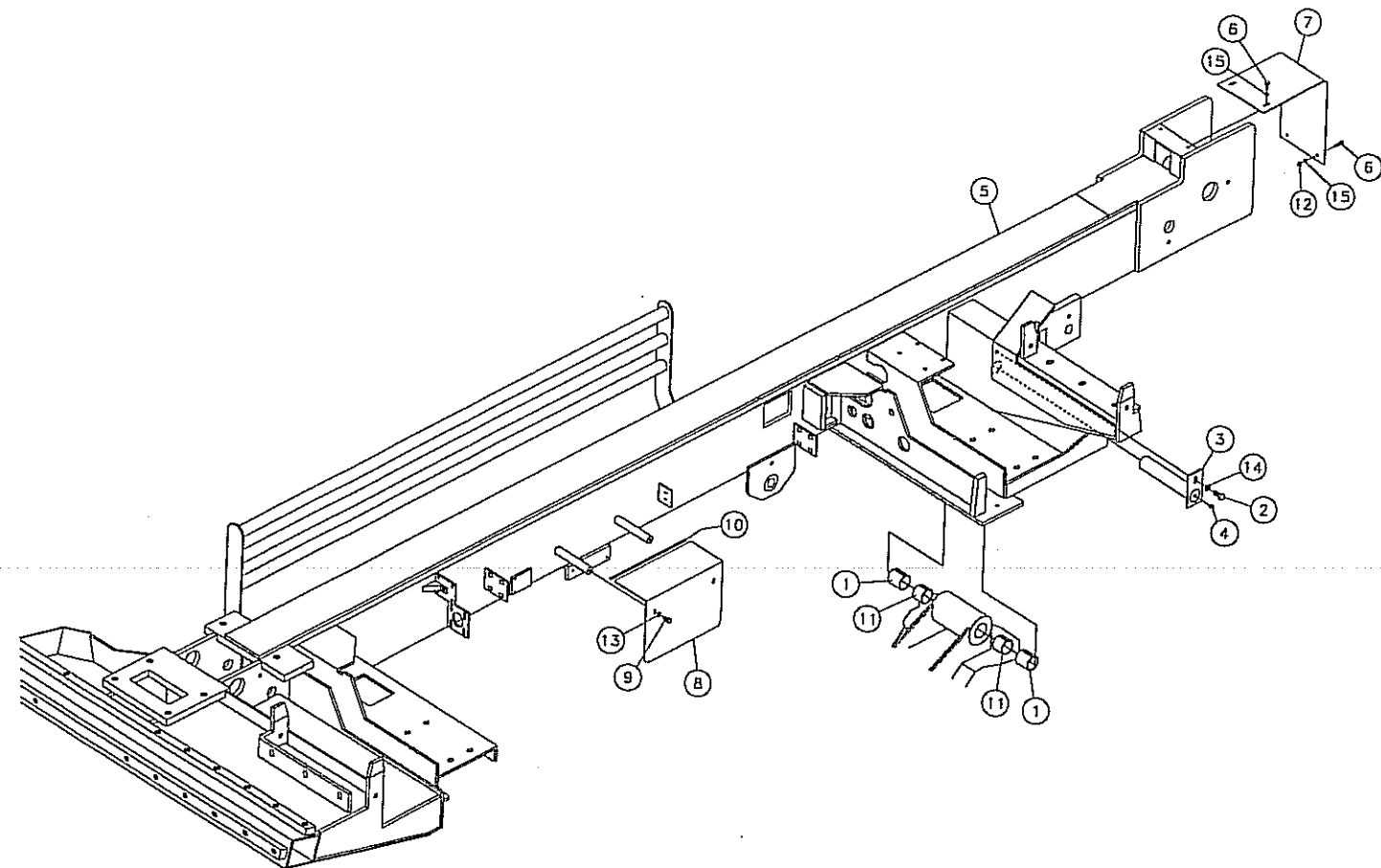
Figure 1-5



REF. NO.	PART NO.	DESCRIPTION	QTY.
1-5	1	235352-003 FRAME-ASSEMBLY-MAIN (INC. TWO OF REF. 6)	1
1-5	2	235736-001 BOLT-3/8-16X1 1/4 ZINC PLTD	10
1-5	3	235960-001 PLATE-TOP WEAR STRIP	2
1-5	4	235725-001 NUT-3/8-16 GR8 ZINC PLTD	34
1-5	5	235959-001 PLATE-BOTTOM WEARSTRIP	12
1-5	6	1835-033 BSHG.-STL.-2 X 1 3/4 X 1 1/2	2
		1835-035 BSHG.-STL.-2 X 1 3/4 X 2	2
1-5	7	235713-001 WASHER-3/8 SAE HARD ZINC PLTD	34
1-5	8	235723-001 BOLT-3/8-16X1 1/2 GR8 ZINC PLT	24

RACK FRAME ASSEMBLY

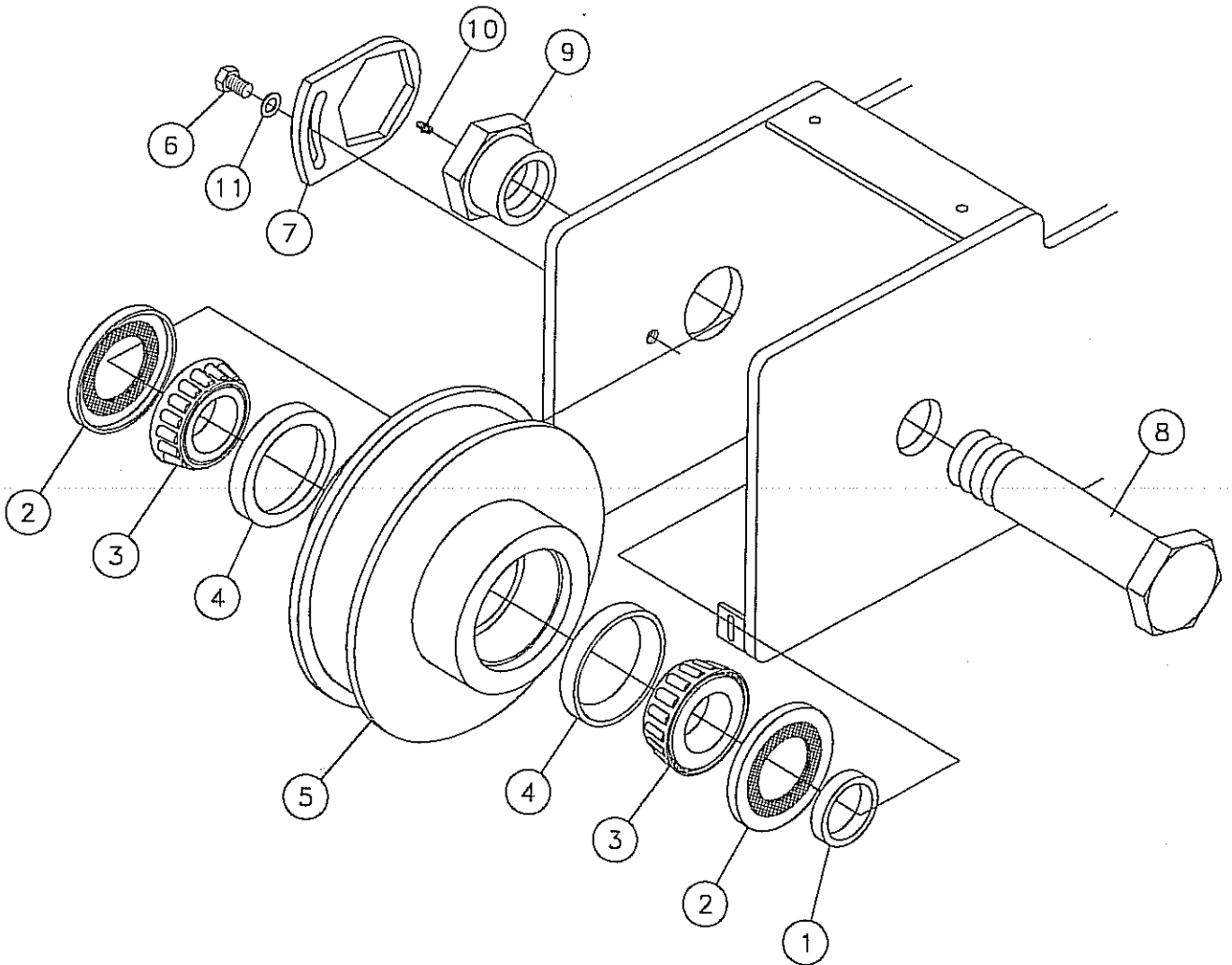
Figure 1-6



<u>REF. NO.</u>	<u>PART NO.</u>	<u>DESCRIPTION</u>	<u>QTY.</u>
1-6	1	1835-035 BSHG.-STL.-2 X 1 3/4 X 2	2
1-6	2	235729-001 BOLT-1/2-13X1 GR8 HEX ZINC PLT	1
1-6	3	225150-001 PIN-PIVOT	1
1-6	4	586-001 ZERK-1/8" ST NPT GREASE	1
1-6	5	240958-001 RACK-DOUBLE COMB	1
1-6	6	238209-001 BOLT-5/16-18X1 GR8 HEX ZINC YC	4
1-6	7	249025-001 PLATE-BACK SHIELD	1
1-6	8	235759-001 PLATE-SHIELD	1
1-6	9	235726-001 BOLT-3/8-16X3/4 GR8 HEX ZNCPLT	2
1-6	10	212522-001 TRIM-1/4 EDGE	0
1-6	11	1835-033 BSHG.-STL.-2 X 1 3/4 X 1 1/2	2
1-6	12	235741-001 NUT-5/16-18 GR8 ZINC PLTD	2
1-6	13	235713-001 WASHER-3/8 SAE HARD ZINC PLTD	2
1-6	14	485-025 WASHER-1/2 FLAT-HARDENED-ZINC	1
1-6	15	235714-001 WASHER-5/16 SAE HARD ZINC PLTD	4

ROLLER ASSEMBLY - UPPER

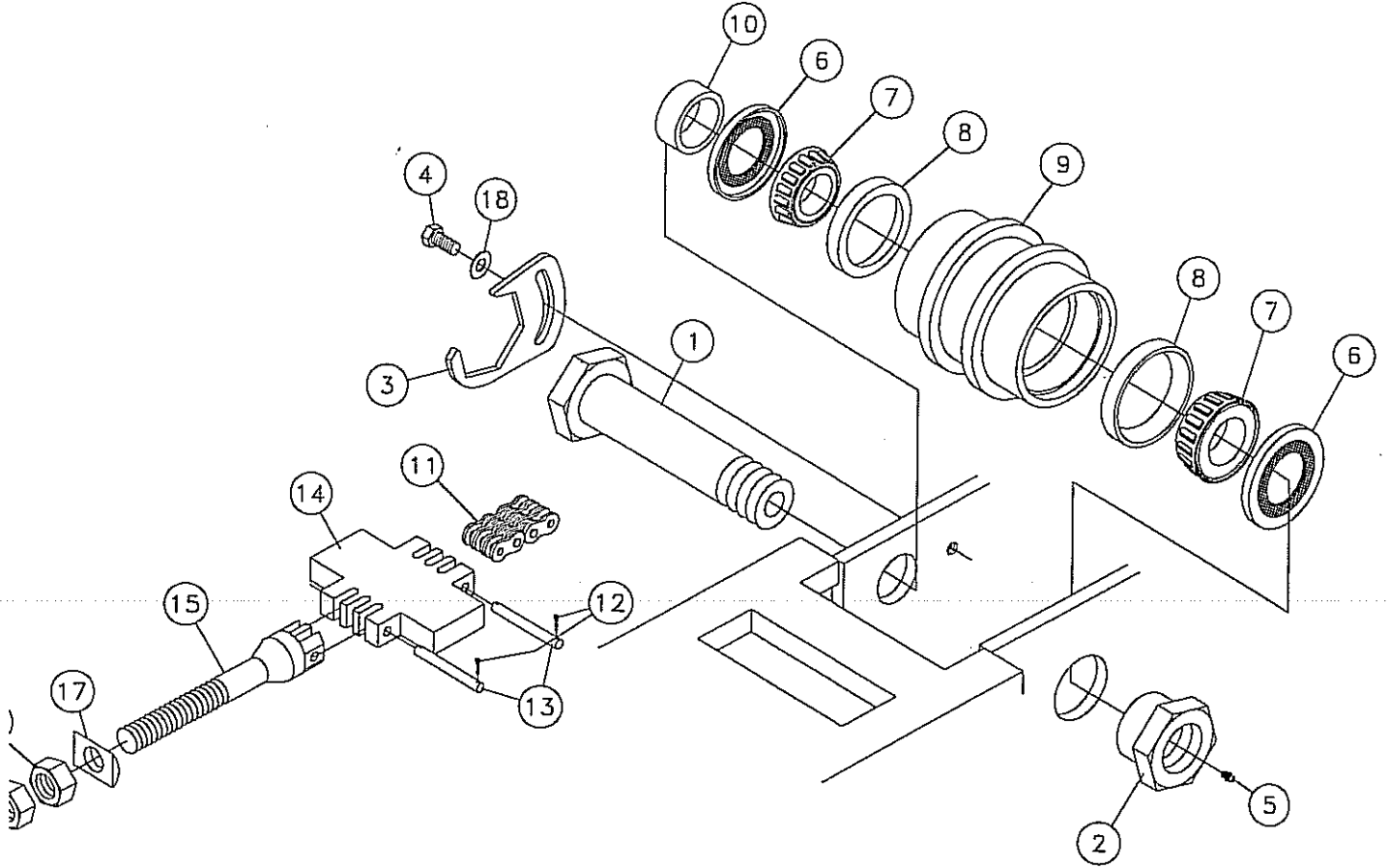
Figure 1-7



REF. NO.	PART NO.	DESCRIPTION	QTY.
1-7	1	213595-001 TUBE-SPACER	1
1-7	2	85752-001 SEAL	2
1-7	3	1716-085 CONE-BEARING	2
1-7	4	1715-063 CUP-BEARING 45220	2
1-7	5	230823-001 ROLLER ASSY-UPPER (INC. REF. 4)	1
1-7	6	235729-001 BOLT-1/2-13X1 GR8 HEX ZINC PLT	1
1-7	7	235829-001 PLATE-LOCK	1
1-7	8	213598-003 PIN ASSY-ROLLER (INC. REF. 11)	1
1-7	9	213594-001 HEX-NUT BEARING	1
1-7	10	586-001 ZERK-1/8" ST NPT GREASE	1
1-7	11	485-025 WASHER-1/2 FLAT-HARDENED-ZINC	1

ROLLER ASSEMBLY - LOWER

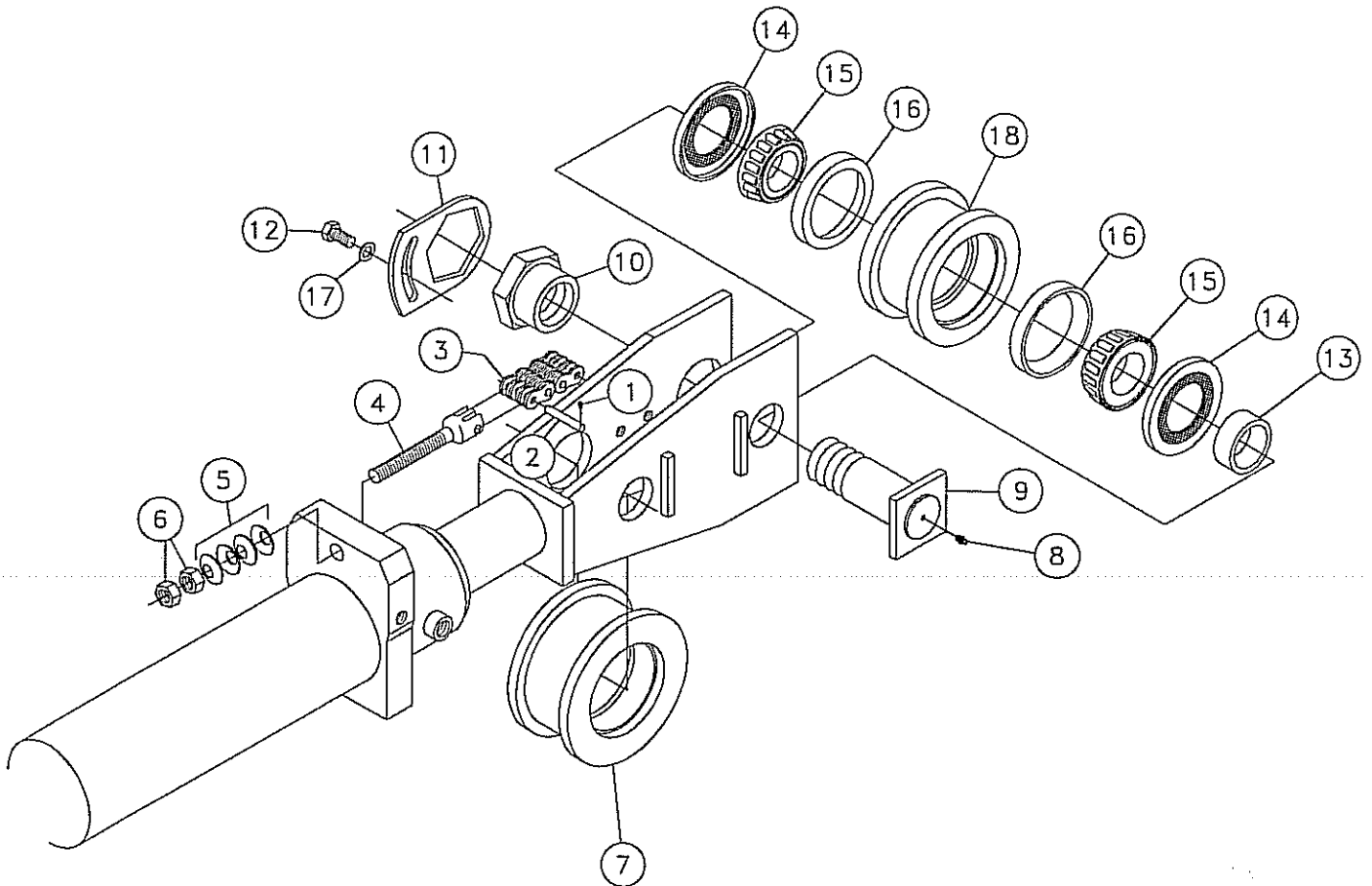
Figure 1-8



REF. NO.	PART NO.	DESCRIPTION	QTY.
1-8	1	213598-003 PIN ASSY-ROLLER (INC. REF. 5)	1
1-8	2	213594-001 HEX-NUT BEARING	1
1-8	3	230925-001 PLATE-LOCK	1
1-8	4	235729-001 BOLT-1/2-13X1 GR8 HEX ZINC PLT	1
1-8	5	586-001 ZERK-1/8" ST NPT GREASE	1
1-8	6	85752-001 SEAL	2
1-8	7	1716-085 CONE-BEARING	2
1-8	8	1715-063 CUP-BEARING 45220	2
1-8	9	230961-001 ROLLER ASSY-LOWER (INC. REF. 8)	1
1-8	10	213595-001 TUBE-SPACER	1
1-8	11	245009-001 CHAIN-LEAF BL866 165 PITCHES	1
		98422-001 LINK-BL866 CONNECTOR	0
1-8	12	510-005 COTTER PIN-3/32" X 3/4"	4
1-8	13	89349-001 PIN-ANCHOR BL866 3/8 D1AX3.44	2
1-8	14	230944-001 PLATE-ANCHOR	1
1-8	15	240818-001 BOLT CHAIN TIGHTENER	1
1-8	16	75391-001 NUT-1-UNF GR.8 HEX	2
1-8	17	240819-001 PLATE-ROCKER ADJ. WASHER	1
1-8	18	485-025 WASHER-1/2 FLAT-HARDENED-ZINC	1

ROLLER ASSEMBLY - THRUST CYLINDER

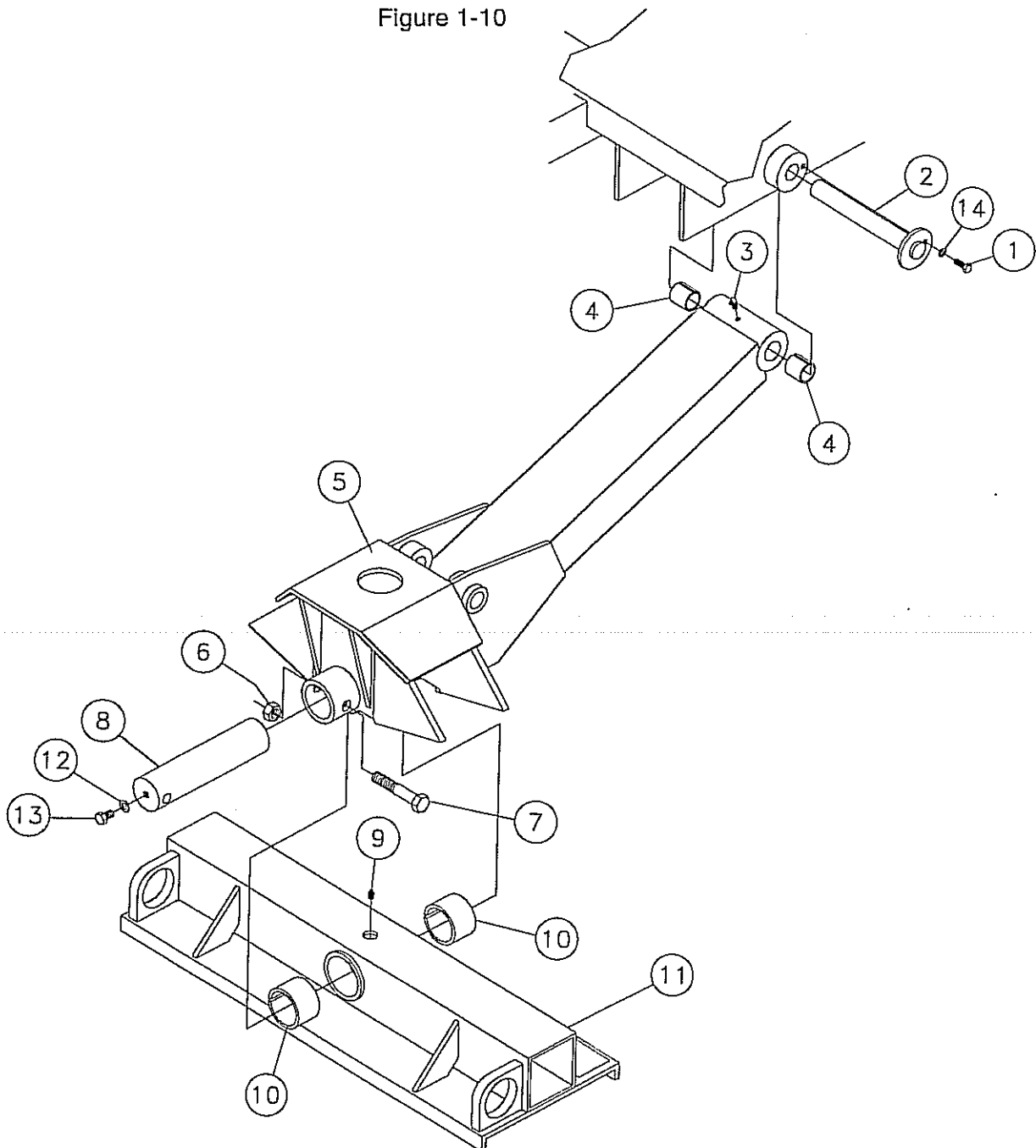
Figure 1-9



REF. NO.	PART NO.	DESCRIPTION	QTY.
1-9	1	510-005 COTTER PIN-3/32" X 3/4"	2
1-9	2	89371-001 PIN-BL866 ANCHOR 3/8"DIA X 2.38	1
1-9	3	98422-001 LINK-BL866 CONNECTOR	0
		86104-257 CHAIN-LEAF BL866 257 PITCHES	1
1-9	4	215584-001 BOLT-866 PULL CHAIN	1
1-9	5	217033-001 WASHER-BELLEVILLE 1.5 ODX 3/4ID	28
1-9	6	94974-001 NUT-3/4-16NF GRADE 8 HEX	2
1-9	7	213685-001 ROLLER-ASSY-RAM (INC. REF. 16)	1
1-9	8	586-001 ZERK-1/8" ST NPT GREASE	2
1-9	9	211142-003 PIN ASSY-ROLLER (INC. REF. 8)	2
1-9	10	213594-001 HEX-NUT BEARING	2
1-9	11	235829-001 PLATE-LOCK	2
1-9	12	235729-001 BOLT-1/2-13X1 GR8 HEX ZINC PLT	2
1-9	13	213595-001 TUBE-SPACER	2
1-9	14	85752-001 SEAL	4
1-9	15	1716-085 CONE-BEARING	4
1-9	16	1715-063 CUP-BEARING 45220	4
1-9	17	485-025 WASHER-1/2 FLAT-HARDENED-ZINC	2
1-9	18	230962-001 ROLLER ASSY-SMALL (INC. REF. 16)	1

OUTRIGGER ARM ASSEMBLY

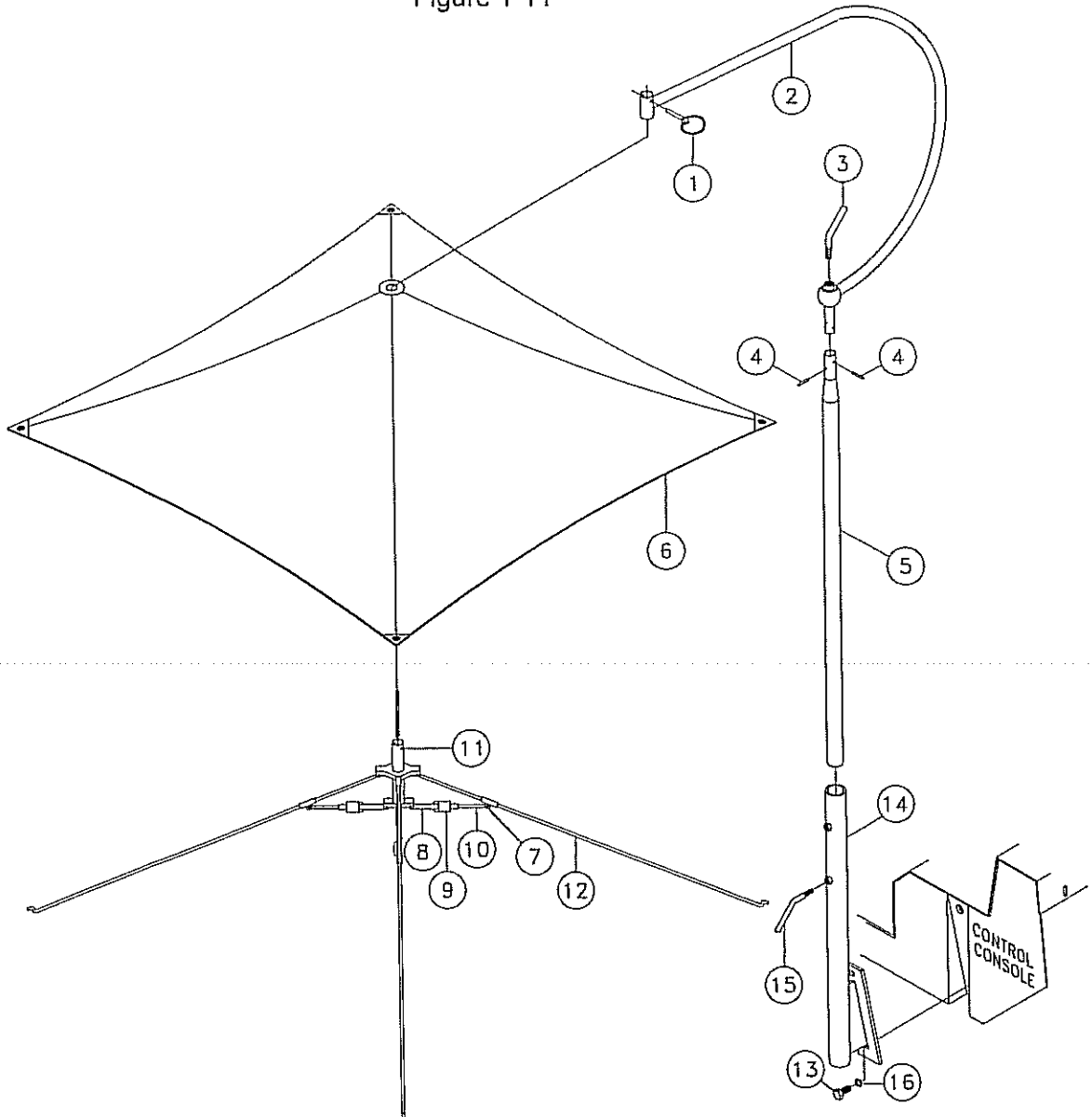
Figure 1-10



REF. NO.	PART NO.	DESCRIPTION	QTY.
1-10	1	235727-001 BOLT-3/8-16X1 GR8 HEX ZINC PLT	1
1-10	2	230858-001 PIN-OUTRIGGER	1
1-10	3	590-001 ZERK-1/8" NPT 90 DEG GREASE	1
1-10	4	1835-027 BSHG.-STL-1 1/2X1 1/4X1 1/2	2
1-10	5	235828-003 ARM ASSY-OUTRIGGER (INC. REF. 3&4)	1
1-10	6	235739-001 NUT-3/4-10 GR8 ZINC PLTD	1
1-10	7	235738-001 BOLT-3/4-10X4 1/2 GR8 ZNC PLT	1
1-10	8	235849-001 PIN-PIVOT	1
1-10	9	586-001 ZERK-1/8" ST NPT GREASE	1
1-10	10	1835-039 BSHG.-STL-3 X 2 1/2 X 2	2
1-10	11	235833-003 PAD ASSY-OUTRIGGER (INC. REF. 9&10)	1
1-10	12	485-025 WASHER-1/2 FLAT-HARDENED-ZINC	1
1-10	13	235729-001 BOLT-1/2-13X1 GR8 HEX ZINC PLT	1
1-10	14	235713-001 WASHER-3/8 SAE HARD ZINC PLTD	1

UMBRELLA ASSEMBLY

Figure 1-11

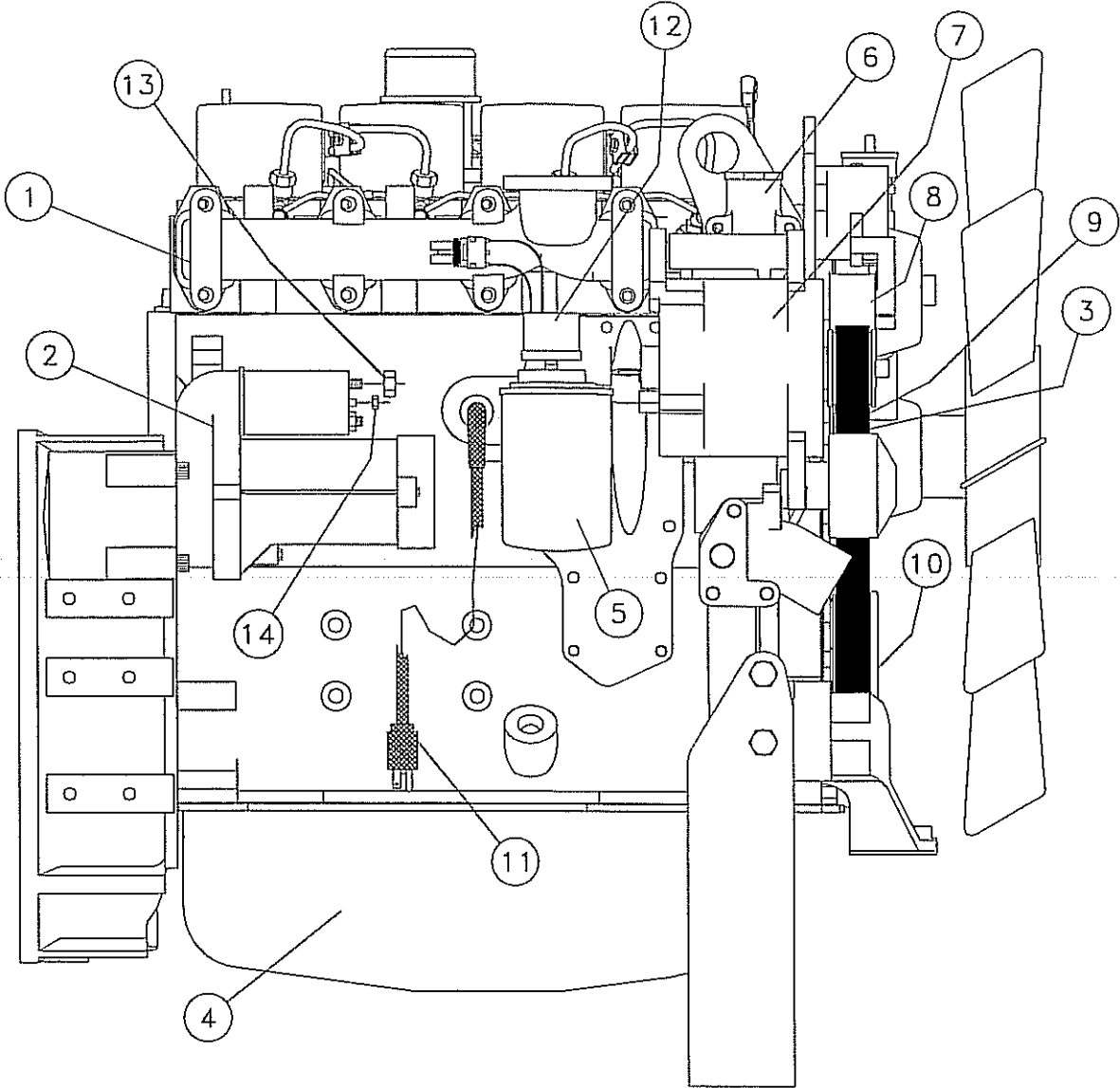


REF. NO.	PART NO.	DESCRIPTION	QTY.
1-11	1	1797-003 PIN-QUICK ATTACHMENT 1/4"	1
1-11	2	238181-003 CURVED SHAFT	1
1-11	3	238181-005 LOCKING HANDLE	1
1-11	4	1978-011 PIN-ROLL 3/16 X 1	2
1-11	5	238181-007 SUPPORT SHAFT-UMBRELLA	1
1-11	6	238181-009 CANVAS COVER-UMBRELLA	1
1-11	7	238181-011 RIVET-PUSH PIN	12
1-11	8	238181-013 TUBE-PUSH ROD	4
1-11	9	238181-015 CLIP-PUSH ROD LOCKING SPRING	4
1-11	10	238181-017 PUSH ROD	4
1-11	11	238181-019 CENTER TUBE W/ SPIDERS	1
1-11	12	238181-021 BOW W/ CLEVIS	4
1-11	13	235729-001 BOLT-1/2-13X1 GR8 HEX ZINC PLT	2
1-11	14	236499-001 MOUNT- UMBRELLA	1
1-11	15	240038-001 BOLT-TIGHTENING 3/8"	2
1-11	16	485-025 WASHER-1/2 FLAT-HARDENED-ZINC	2

238181-001 UMBRELLA-ASSY (INC. REF. 1-12)

ENGINE COMPONENTS

Figure 2-1



REF. NO.	PART NO.	DESCRIPTION	QTY.	REF. NO.	PART NO.	DESCRIPTION	QTY.	
2-1	1	220162-003	● MANIFOLD-EXHAUST	1	220681-017	● ALTERNATOR BRACKET-UPPER	1	
		220681-027	● BOLT	8	220681-021	● ALTERNATOR MOUNTING BOLT-UPPER	1	
		234218-003	● GASKET-EXHAUST MANIFOLD	4	220681-023	● ALTERNATOR MOUNTING BOLT-LOWER	2	
2-1	2	103000-001	● STARTER	1	2-1 8	234218-005	● TENSIONER-BELT	1
		220681-025	● STARTER MOUNTING BOLT	2	2-1 9	234218-007	● BELT-DRIVE	1
2-1	3	220162-009	● WATER PUMP	1	2-1 10	234218-009	● TURBO	1
		220681-031	● SEAL-RECTANGULAR RING	1	234218-011	● GASKET-TURBO	1	
2-1	4	224558-009	● OIL PUMP	1	2-1 11	107606-001	● PULLEY-CRANKSHAFT	1
2-1	5	104071-001	● FILTER-OIL	1	103011-001	● BOLT-CRANKSHAFT PULLEY	4	
2-1	6	104073-001	● THERMOSTAT	1	2-1 12	104067-001	● HEATER-ENGINE	1
		104074-001	● GASKET-THERMOSTAT	1	104068-001	● CABLE-ENGINE HEATER	1	
2-1	7	220171-001	ALTERNATOR-MODIFIED 42 AMP	1	2-1 13	98678-001	SWITCH-PRESSURE SIN POLE 9 PSI	1
		5902-001	ALTERNATOR FAN	1				
		220162-039	● SHEAVE-ALTERNATOR	1				
		220681-019	● ALTERNATOR BRACKET-LOWER	1				

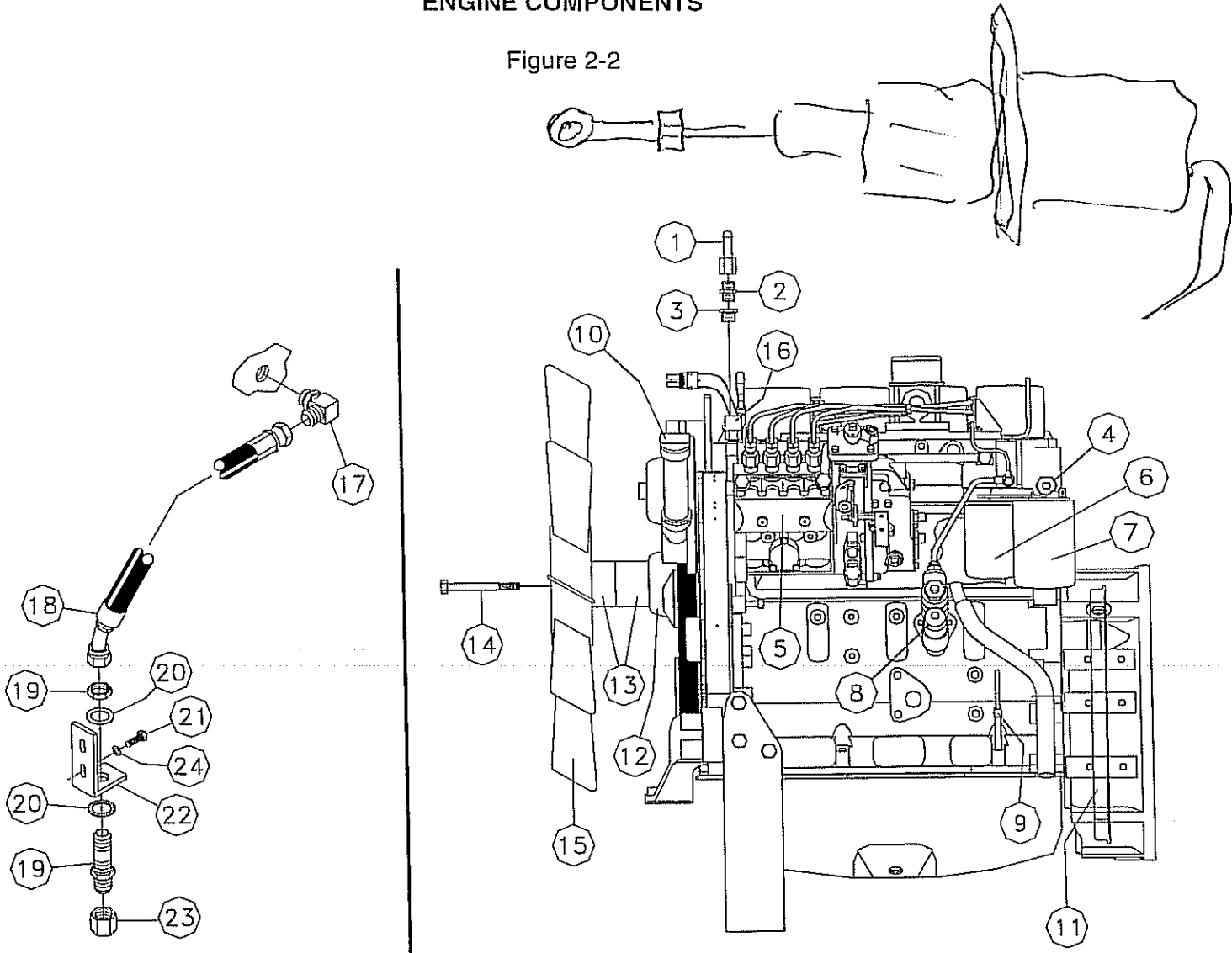
● ITEMS WARRANTED BY AUTHORIZED CUMMINS DEALER

SINCHRO start

3932545

ENGINE COMPONENTS

Figure 2-2

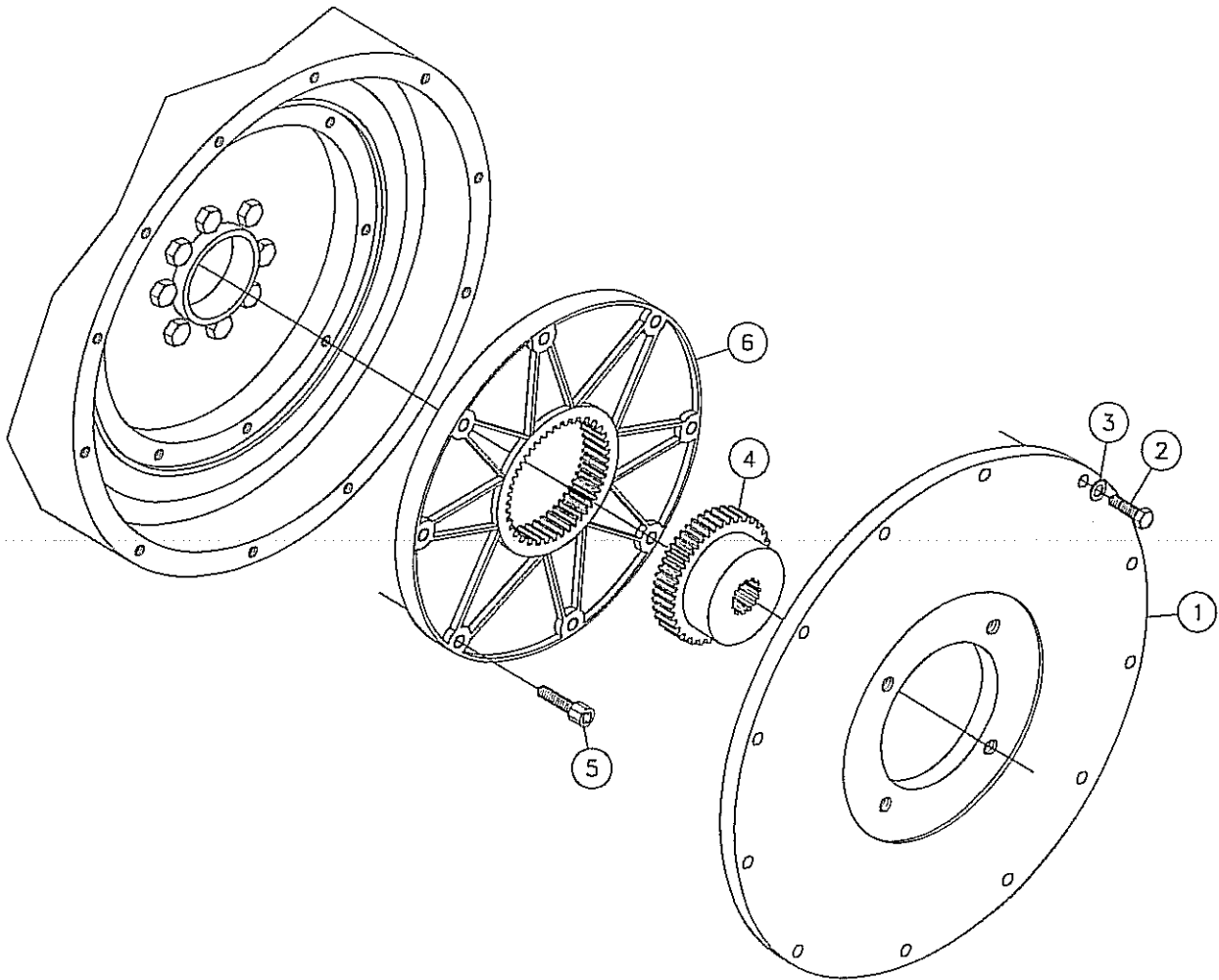


REF. NO.	PART NO.	DESCRIPTION	QTY.	REF. NO.	PART NO.	DESCRIPTION	QTY.
2-2	1	103007-001	1	2-2	13	234218-027	1
2-2	2	103006-001	1	2-2	14	64111-001	4
2-2	3	103005-001	1	2-2	15	224953-001	1
2-2	4	11981-001	1	2-2	16	227965-001	1
2-2	5	234218-013	1	2-2	17	100351-001	1
		234218-015	1	2-2	18	53842-427	1
		234218-017	4	2-2	19	77734-001	1
2-2	6	220162-025	1	2-2	20	240756-001	2
2-2	7	220162-023	1	2-2	21	238209-001	2
2-2	8	234218-019	1	2-2	22	244254-001	1
		220681-013	1	2-2	23	78062-001	1
2-2	9	234218-021	1	2-2	24	235714-001	2
		234218-023	1				
2-2	10	102996-001	1				
2-2	11	104063-001	1				
		103027-001	8				
2-2	12	234218-025	1				

• ITEMS WARRANTED BY AUTHORIZED CUMMINS DEALER

PUMP DRIVE ASSEMBLY

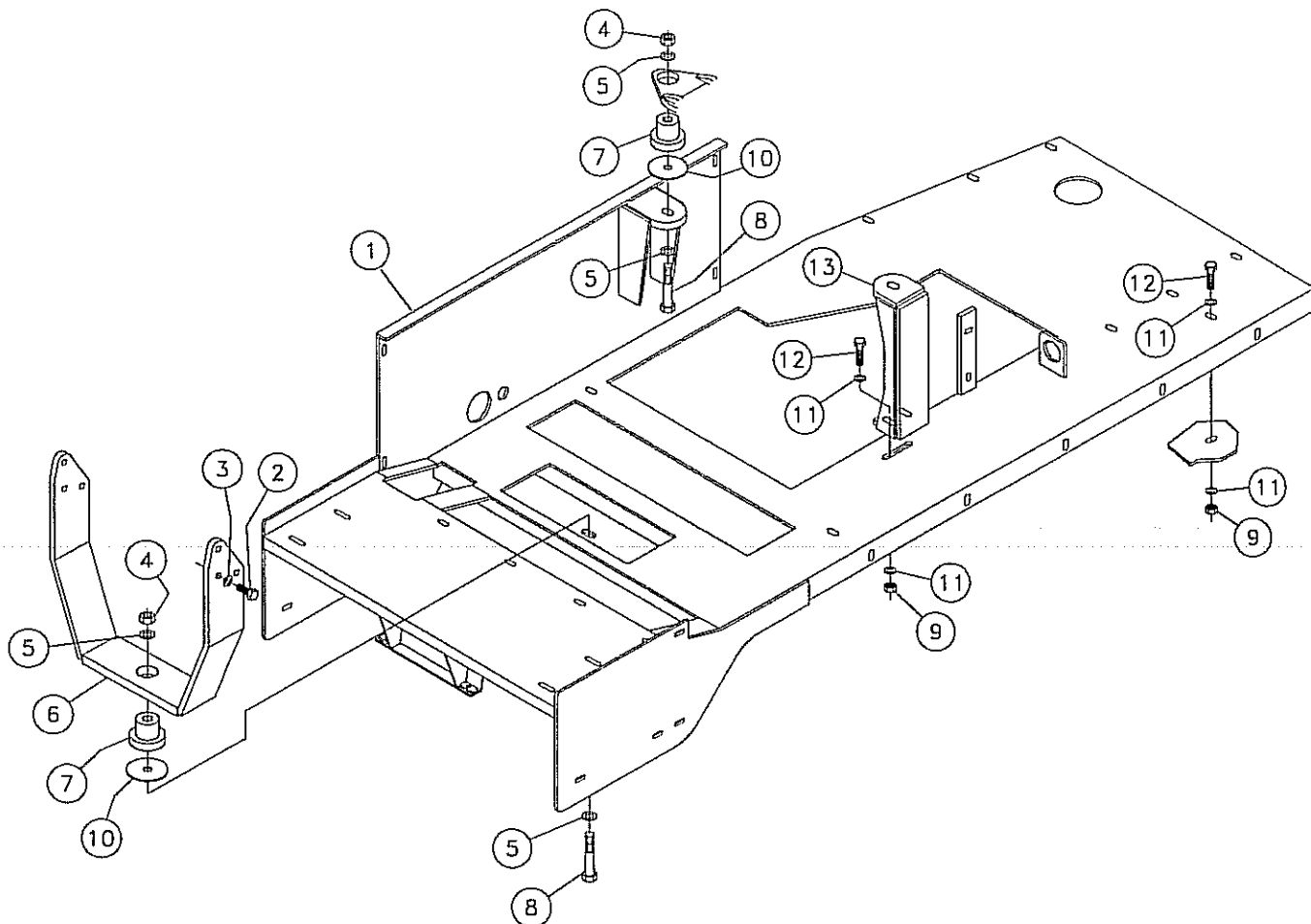
Figure 2-3



<u>REF. NO.</u>	<u>PART NO.</u>	<u>DESCRIPTION</u>	<u>QTY.</u>
2-3	1	220021-001 PLATE-PUMP MOUNT	1
2-3	2	250518-001 BOLT-10MM X 35 MM GR.8 Y/ZINC	12
2-3	3	240061-001 WASHER-10MM HARDENED FLAT ZNC	12
2-3	4	220076-001 HUB-M65 55MM LONG 14T° C° SPLINE	1
2-3	5	4478-014 CAPSCREW-3/8-16X1 1/2 SOCHD GB	8
2-3	6	220075-001 FLANGE-65 FLE-PA 10° FLYWHEEL	1

ENGINE MOUNT ASSEMBLY

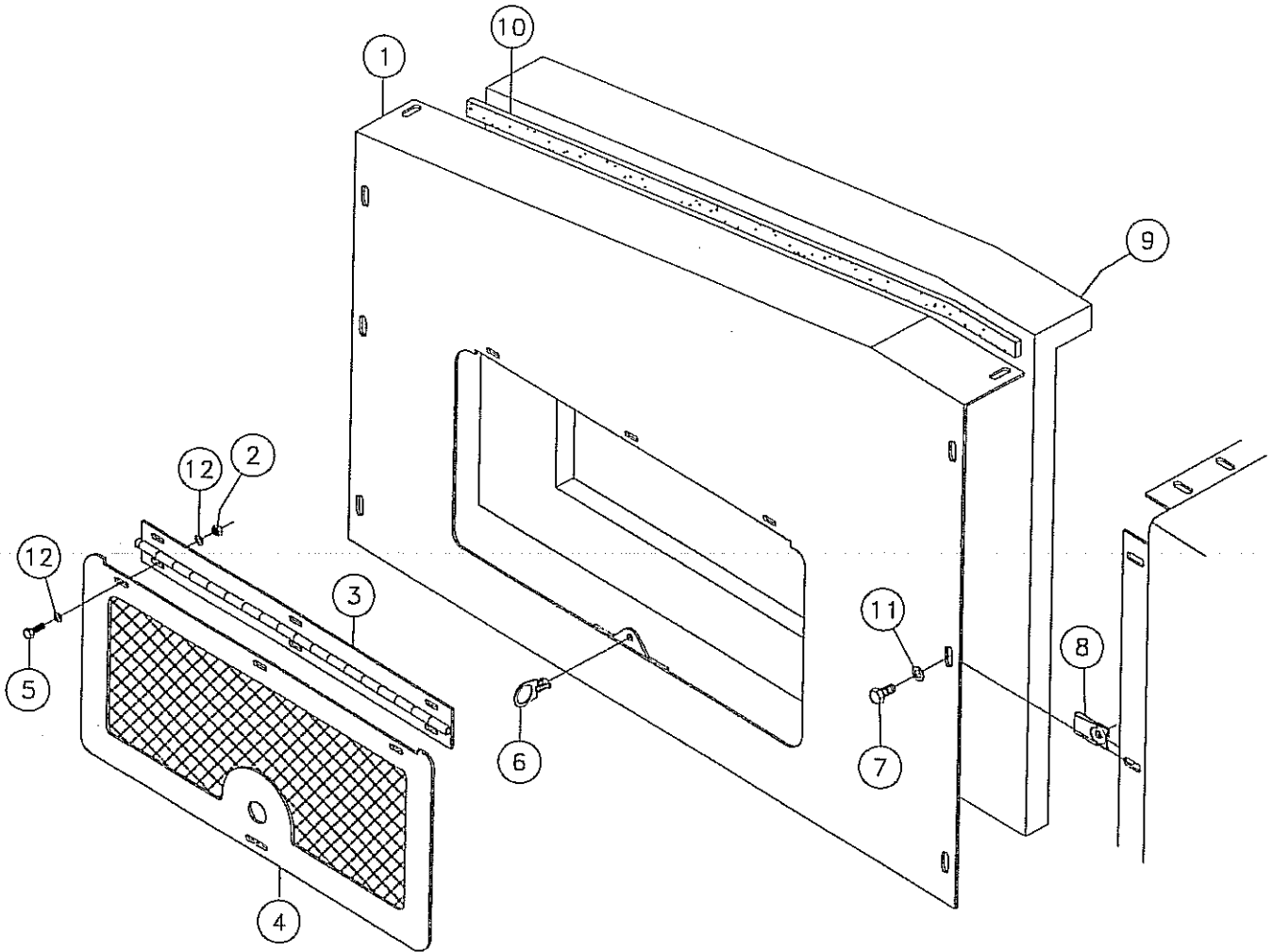
Figure 2-4



<u>REF. NO.</u>	<u>PART NO.</u>	<u>DESCRIPTION</u>	<u>QTY.</u>
2-4	1	238616-001 BASE-ENGINE MOUNTING	1
2-4	2	250516-001 BOLT-12M X 35M GR.8 Y/ZINC	6
2-4	3	238249-001 12 MM HARD WASHER Y/ZINC	6
2-4	4	241065-001 NUT-5/8 UNC GR8 HEX ZINC	3
2-4	5	235715-001 WASHER-5/8 SAE HARD ZINC PLTD	6
2-4	6	228267-001 MOUNT-FRONT ENGINE	1
2-4	7	220165-001 MOUNT-M500-50-NR RUBBER	3
2-4	8	250500-001 BOLT 5/8"-11 X 3 3/4" GR8 HEX	3
2-4	9	235731-001 NUT-1/2-13 GR8 ZINC PLTD	6
2-4	10	220203-001 SLUG-ENGINE MOUNT	6
2-4	11	485-025 WASHER-1/2 FLAT-HARDENED-ZINC	6
2-4	12	240334-001 BOLT-1/2-13X1 3/4 GR8 ZINC PLT	6
2-4	13	228271-001 MOUNT-REAR ENGINE	1

ENGINE COMPARTMENT SHIELDS ASSEMBLY (LEFT)

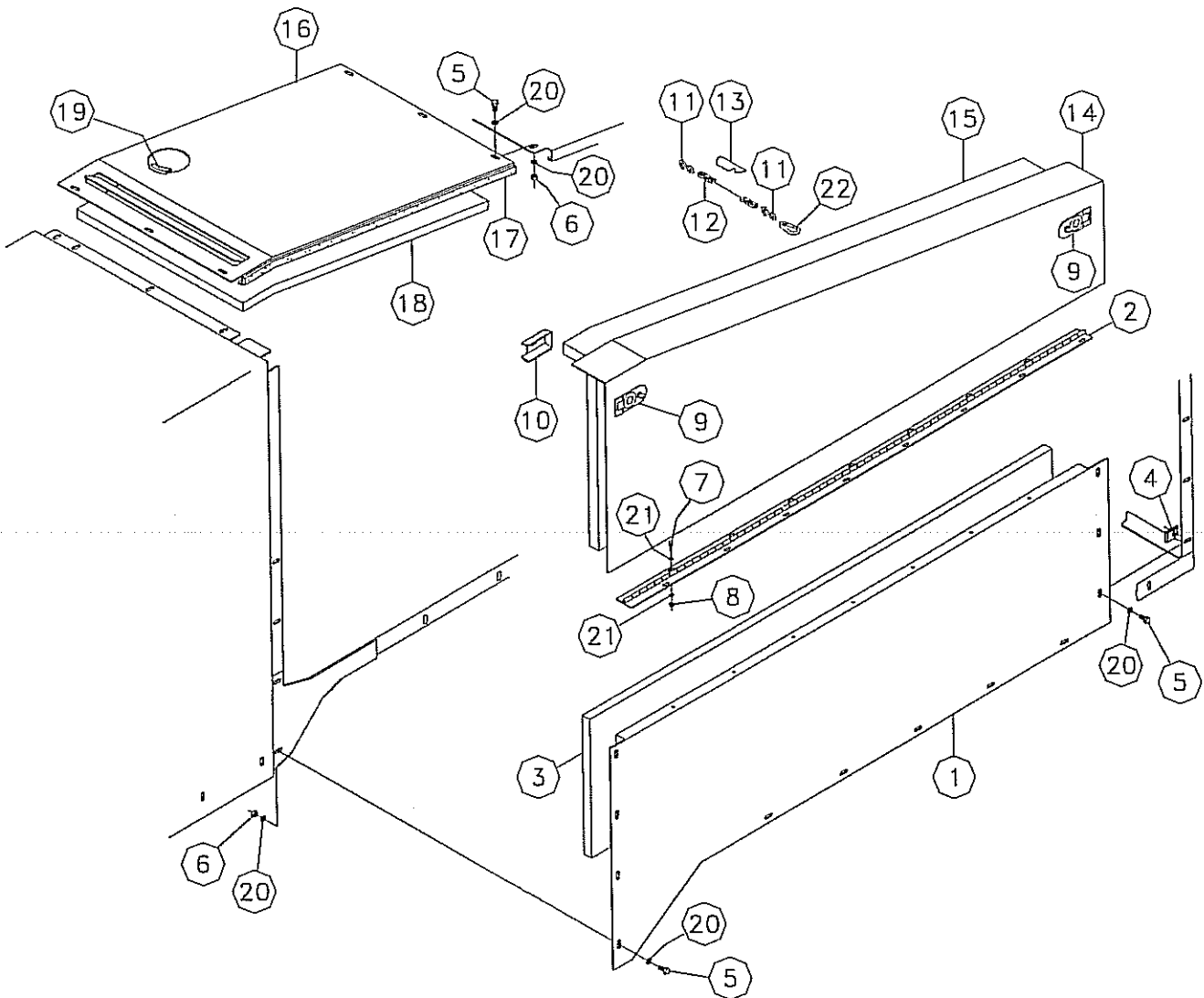
Figure 2-5



REF. NO.	PART NO.	DESCRIPTION	QTY.
2-5	1	238612-001 SHIELD-ENGINE SIDE	1
2-5	2	235732-001 NUT-1/4-20 GR8 ZINC PLTD	6
2-5	3	240809-001 HINGE-ACCESS	1
2-5	4	240807-001 DOOR-ACCESS	1
2-5	5	235734-001 BOLT-1/4-20X3/4 GR8 ZINC PLTD	6
2-5	6	86113-001 FASTENER-1/4 TURN	1
2-5	7	235727-001 BOLT-3/8-16X1 GR8 HEX ZINC PLT	8
2-5	8	13323-001 U-CLIP - 3/8-16	3
2-5	9	238629-001 FOAM-LEFT SIDE SHIELD	1
2-5	10	18991-001 WEATHERSTRIP-5/16X3/4 SELFSTK (SPECIFY LENGTH)	A/R
2-5	11	235713-001 WASHER-3/8 SAE HARD ZINC PLTD	8
2-5	12	235716-001 WASHER-1/4 SAE HARD ZINC PLTD	12

ENGINE COMPARTMENT SHIELDS ASSEMBLY - TOP/RIGHT

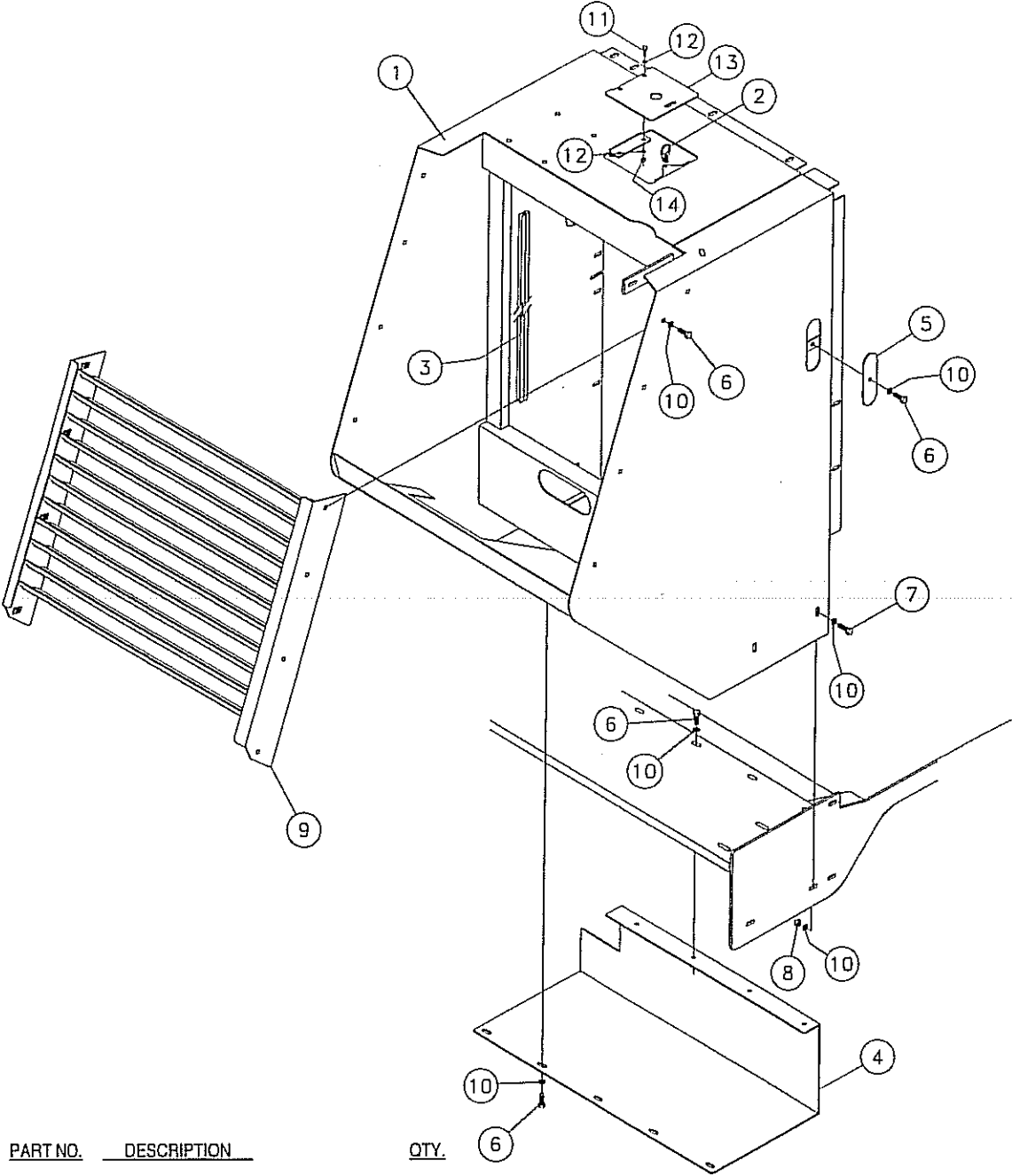
Figure 2-6



REF. NO.	PART NO.	DESCRIPTION	QTY.	REF. NO.	PART NO.	DESCRIPTION	QTY.
2-6	1	228366-001 SHIELD-LOWER ENGINE SIDE	1	2-6	13	208065-001 SHRINK TUBE-3/4ID COMMERCIAL GRD (SPECIFY LENGTH)	A/R
2-6	2	228373-001 HINGE-SHIELD	1	2-6	14	238610-001 SHIELD-UPPER SIDE ENGINE	1
2-6	3	228299-001 FOAM- LOWER SIDE SHIELD	1	2-6	15	238628-001 FOAM-UPPER SIDE SHIELD	1
2-6	4	13323-001 U-CLIP - 3/8-16	6	2-6	16	238627-001 SHIELD-TOP ENGINE	1
2-6	5	235726-001 BOLT-3/8-16X3/4 GR8 HEX ZNCPLT	18	2-6	17	245059-001 TAPE-URETHANE .75"WX 36 YD ROL (SPECIFY LENGTH)	A/R
2-6	6	235725-001 NUT-3/8-16 GR8 ZINC PLTD	16	2-6	18	238624-001 FOAM-TOP SHIELD	1
2-6	7	235734-001 BOLT-1/4-20X3/4 GR8 ZINC PLTD	15	2-6	19	97456-001 SEAL-BULB EDGE 1/8" STYLE (SPECIFY LENGTH)	A/R
2-6	8	235732-001 NUT-1/4-20 GR8 ZINC PLTD	15	2-6	20	235713-001 WASHER-3/8 SAE HARD ZINC PLTD	16
2-6	9	110479-001 LATCH-SEALED LEVER (INC. KEYS)	2	2-6	21	235716-001 WASHER-1/4 SAE HARD ZINC PLTD	30
		97874-003 KEYS	2	2-6	22	235748-001 CHAIN SNAP -3/16 S.S.	1
2-6	10	228308-001 BAR-CLAMP	2				
2-6	11	76533-001 HOOK- 3/16 "S"	2				
2-6	12	904815-001 CHAIN-BREAKAWAY SWITCH	1				

RADIATOR SHIELD ASSEMBLY

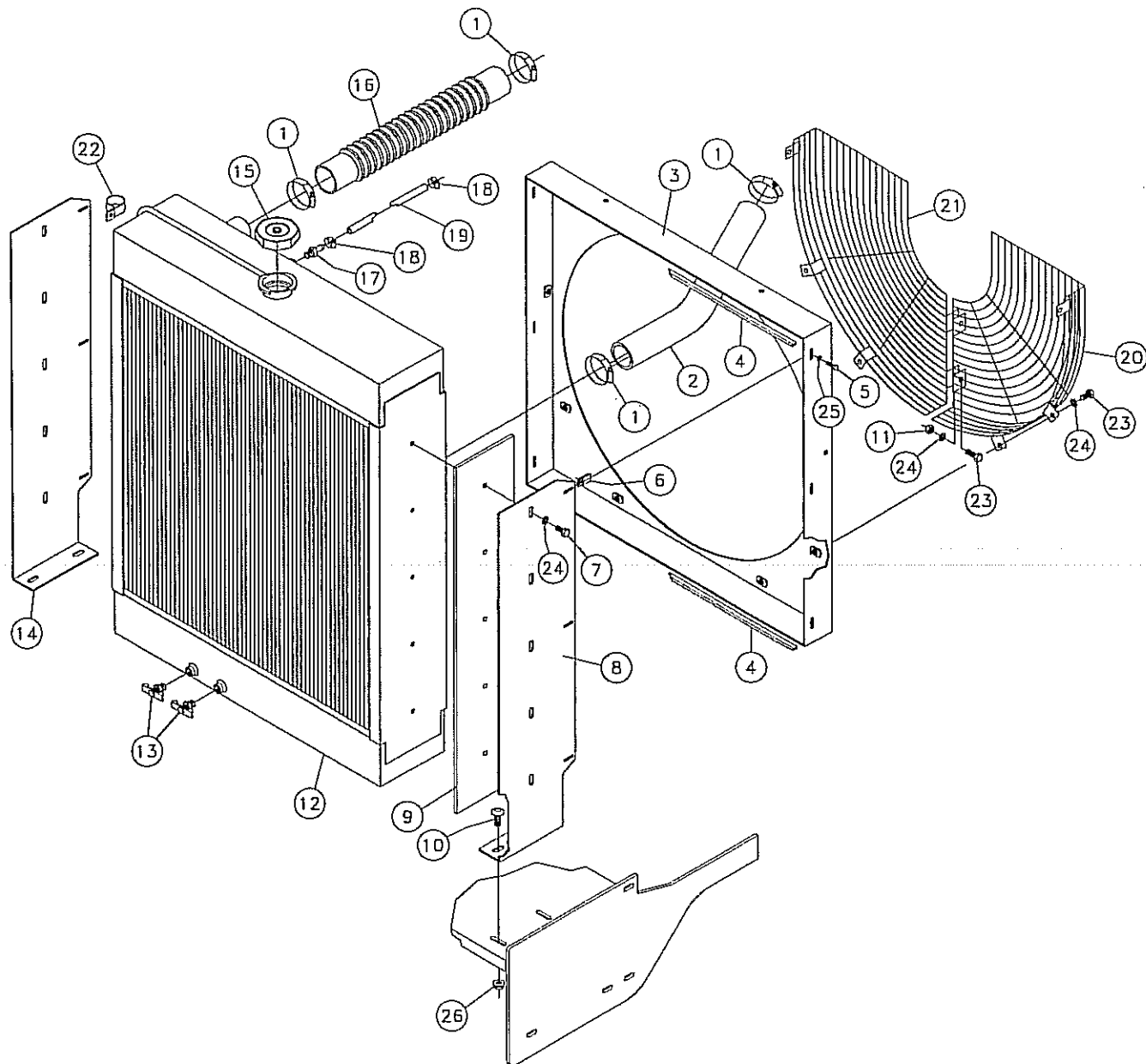
Figure 2-7



REF. NO.	PART NO.	DESCRIPTION	QTY.
2-7	1	245019-001 SHIELD-RADIATOR DEFLECTOR	1
2-7	2	86113-001 FASTENER-1/4 TURN	1
2-7	3	97456-001 SEAL-BULB EDGE 1/8" STYLE (SPECIFY LENGTH)	A/R
2-7	4	238614-001 SHIELD-MUFFLER	1
2-7	5	245014-001 COVER-ACCESS	2
2-7	6	235726-001 BOLT-3/8-16X3/4 GR8 HEX ZNCPLT	19
2-7	7	235727-001 BOLT-3/8-16X1 GR8 HEX ZINC PLT	4
2-7	8	235725-001 NUT-3/8-16 GR8 ZINC PLTD	4
2-7	9	245039-001 INSERT-GRILLE	1
2-7	10	235713-001 WASHER-3/8 SAE HARD ZINC PLTD	27
2-7	11	235734-001 BOLT-1/4-20X3/4 GR8 ZINC PLTD	2
2-7	12	235716-001 WASHER-1/4 SAE HARD ZINC PLTD	4
2-7	13	245063-001 DOOR-ACCESS	1
2-7	14	235732-001 NUT-1/4-20 GR8 ZINC PLTD	2

RADIATOR ASSEMBLY

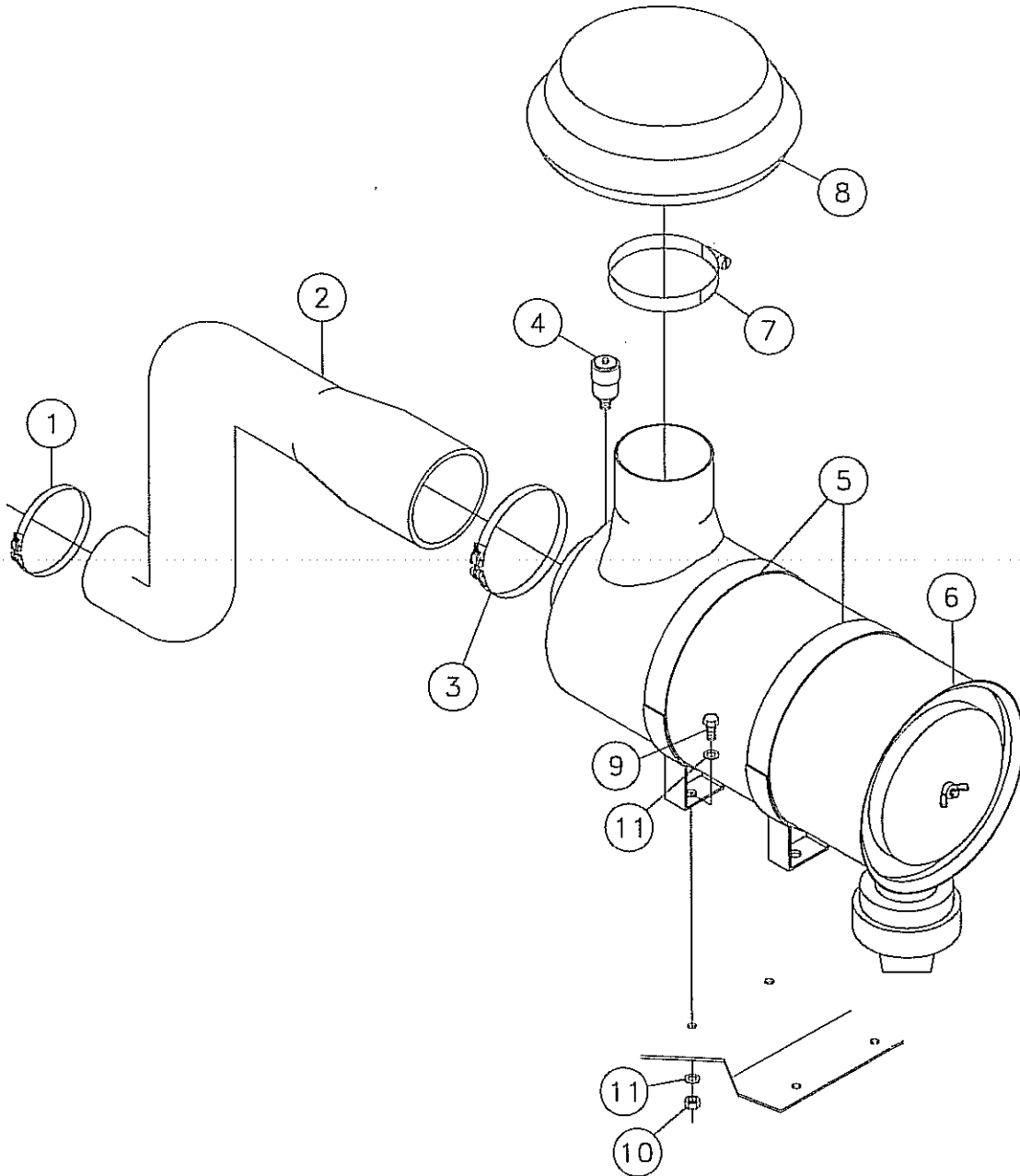
Figure 2-8



REF. NO.	PART NO.	DESCRIPTION	QTY.	REF. NO.	PART NO.	DESCRIPTION	QTY.
2-8	1	1580-011 HOSE CLAMP - 2" - 2	4	2-8	14	238600-001 PLATE-RADIATOR MOUNTING	1
2-8	2	240804-001 HOSE-LOWER RADIATOR	1	2-8	15	66125-001 CAP-RADIATOR TR102 (7 PSI)	1
2-8	3	238564-001 SHROUD - FAN	1	2-8	16	224849-001 HOSE-1 3/4ID X 19" COOLANT (UPPER)	1
2-8	4	97456-001 SEAL-BULB EDGE 1/8" STYLE (SPECIFY LENGTH)	2	2-8	17	102118-001 FITTING-1/4NPT X 3/8 HOSE BARB	1
2-8	5	235734-001 BOLT-1/4-20X3/4 GR8 ZINC PLTD	6	2-8	18	1580-001 HOSE CLAMP - 3/8"	2
2-8	6	19272-001 CLIP-NUT 1/4-20 C33880-1420	6	2-8	19	57706-001 HOSE-3/8" 200PSI 1 PLY BLACK (SPECIFY LENGTH)	1
2-8	7	235726-001 BOLT-3/8-16X3/4 GR 8 HEX ZINC PLTD	16	2-8	20	238656-001 GUARD - LEFT	1
2-8	8	238601-001 PLATE-RADIATOR MOUNTING	1	2-8	21	238655-001 GUARD-RIGHT FAN	1
2-8	9	238640-001 FOAM-RADIATOR	2	2-8	22	2595-001 HOSE CLAMP - TS7FR 1/2"	2
2-8	10	375-010 BOLT-3/8"-16X1"GD#5 CARRIAGE	4	2-8	23	235727-001 BOLT-3/8-16X1 GR8 HEX ZINC PLT	2
2-8	11	235725-001 NUT-3/8-16 GR8 ZINC PLTD	6	2-8	24	235713-001 WASHER-3/8 SAE HARD ZINC PLTD	14
2-8	12	238636-001 RADIATOR-(13-6272611-3)	1	2-8	25	235716-001 WASHER-1/4 SAE HARD ZINC PLTD	6
2-8	13	225532-005 DRAIN COCK-1/4"	2	2-8	26	4536-001 NUT-3/8-16 FLANGE WHIZ	4

AIR CLEANER ASSEMBLY

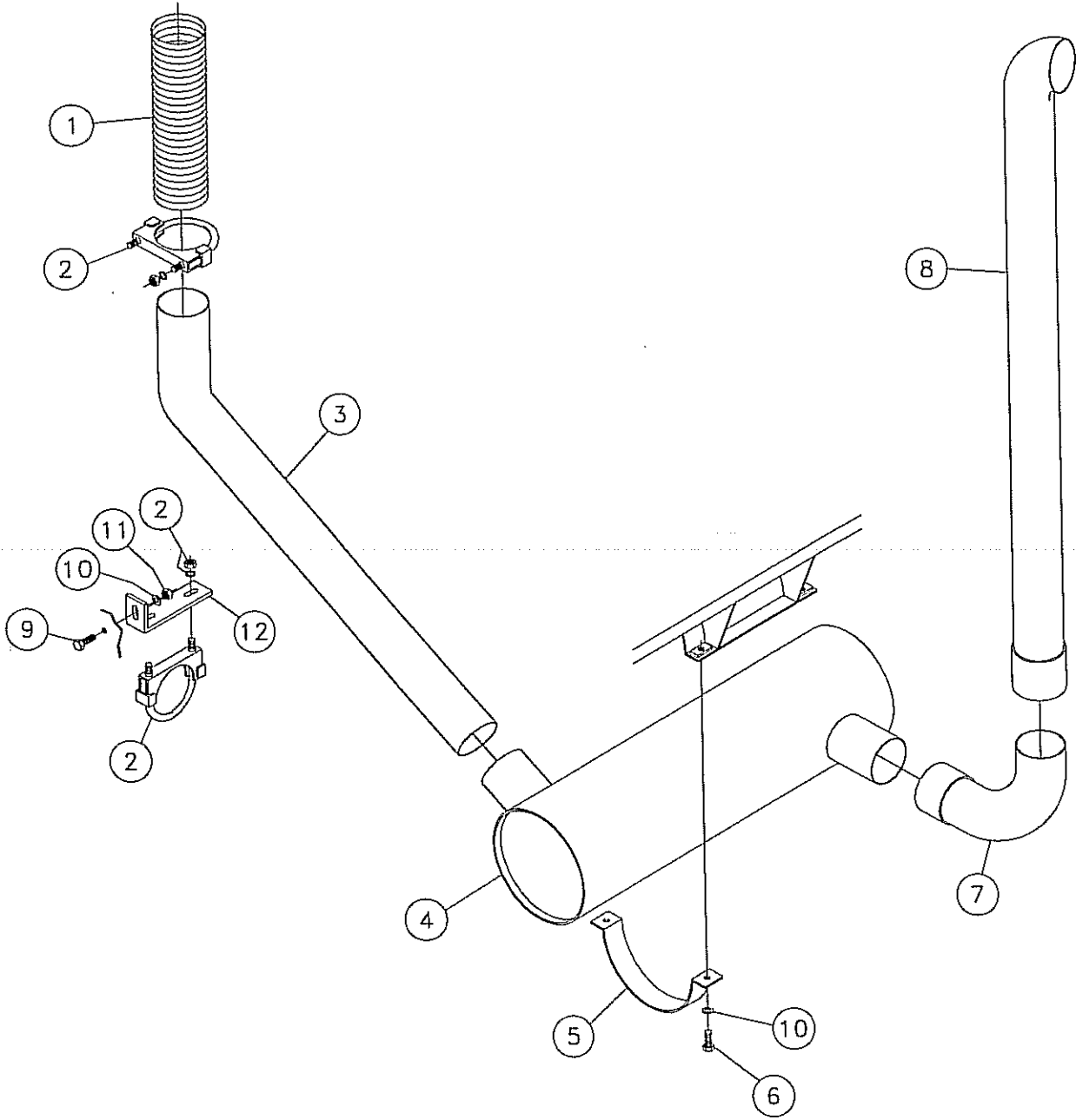
Figure 2-9



REF. NO.	PART NO.	DESCRIPTION	QTY.
2-9	1	96072-001 CLAMP-3 1/2" T-BOLT	1
2-9	2	240810-001 HOSE-AIR INTAKE	1
2-9	3	102628-001 CLAMP-4 1/2" T-BOLT	1
2-9	4	2165-001 INDICATOR	1
2-9	5	901499-001 MOUNTING BAND	2
2-9	6	901498-001 AIR CLEANER (BREAKDOWN FIG. 2-12)	1
2-9	7	1580-023 HOSE CLAMP - 5 1/2"	1
2-9	8	901500-001 AIR CLEANER CAP (INC. REF. 9)	1
2-9	9	235726-001 BOLT-3/8-16X3/4 GR8 HEX ZNCPLT	4
2-9	10	235725-001 NUT-3/8-16 GR8 ZINC PLTD	4
2-9	11	235713-001 WASHER-3/8 SAE HARD ZINC PLTD	8

MUFFLER ASSEMBLY

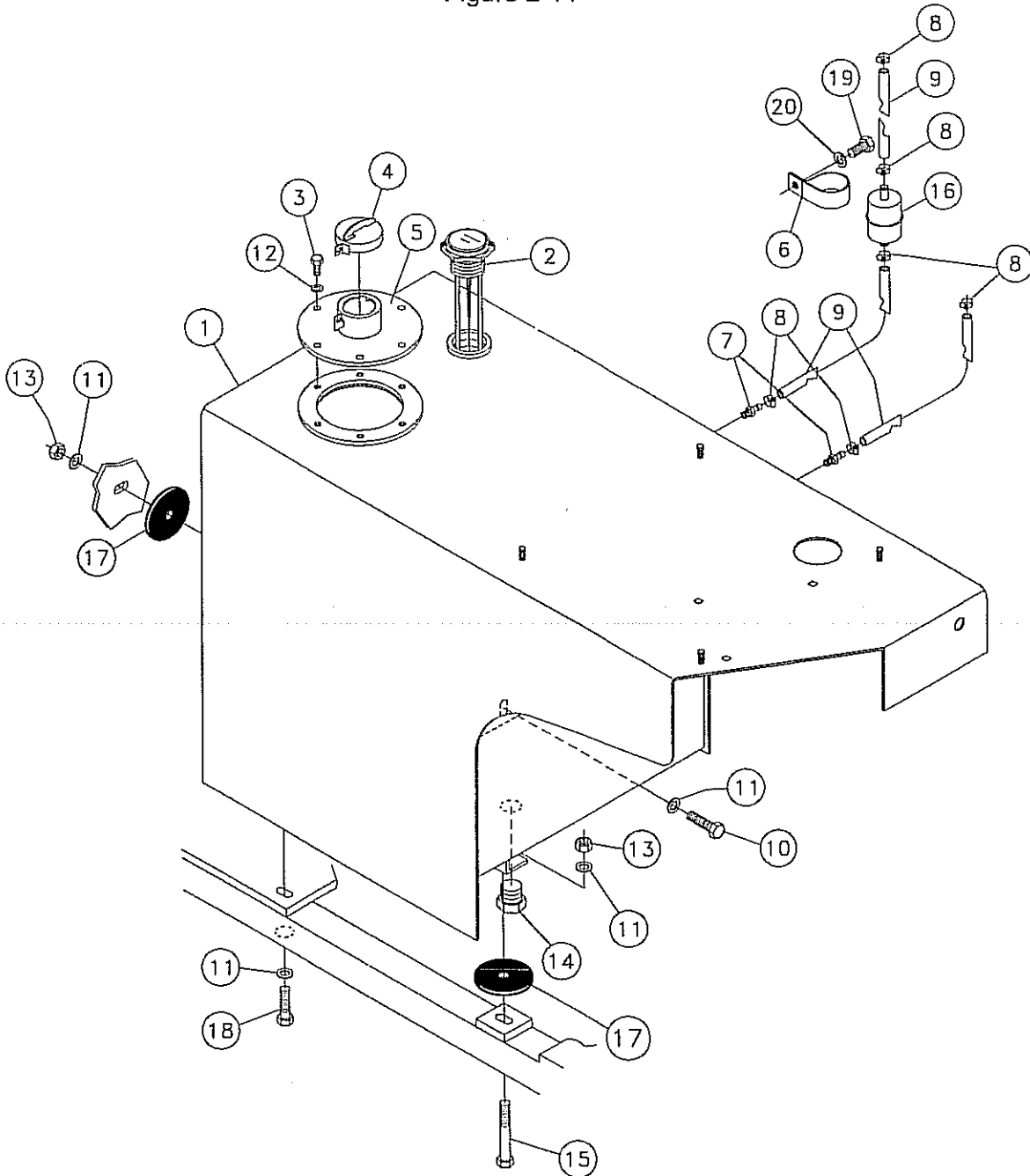
Figure 2-10



REF. NO.	PART NO.	DESCRIPTION	QTY.
2-10	1	240802-001 FLEX TUBING-3" DIA X 12'	1
2-10	2	2609-011 MUFFLER CLAMP - 3"	7
2-10	3	238641-001 PIPE-3" OD EXHAUST	1
2-10	4	238602-001 MUFFLER-3" EXHAUST	1
2-10	5	238625-001 STRAP-MUFFLER CLAMP	2
2-10	6	235736-001 BOLT-3/8-16X1 1/4 ZINC PLTD	4
2-10	7	240803-001 TUBE-3" OD 90 DEGREES ELBOW	1
2-10	8	240814-001 STACK PIPE - 3" BLACK 60"	1
2-10	9	235727-001 BOLT-3/8-16X1 GR8 HEX ZINC PLT	1
2-10	10	235713-001 WASHER-3/8 SAE HARD ZINC PLTD	5
2-10	11	235725-001 NUT-3/8-16 GR8 ZINC PLTD	1
2-10	12	240759-001 PLATE-MUFFLER SUPPORT	1

FUEL TANK ASSEMBLY

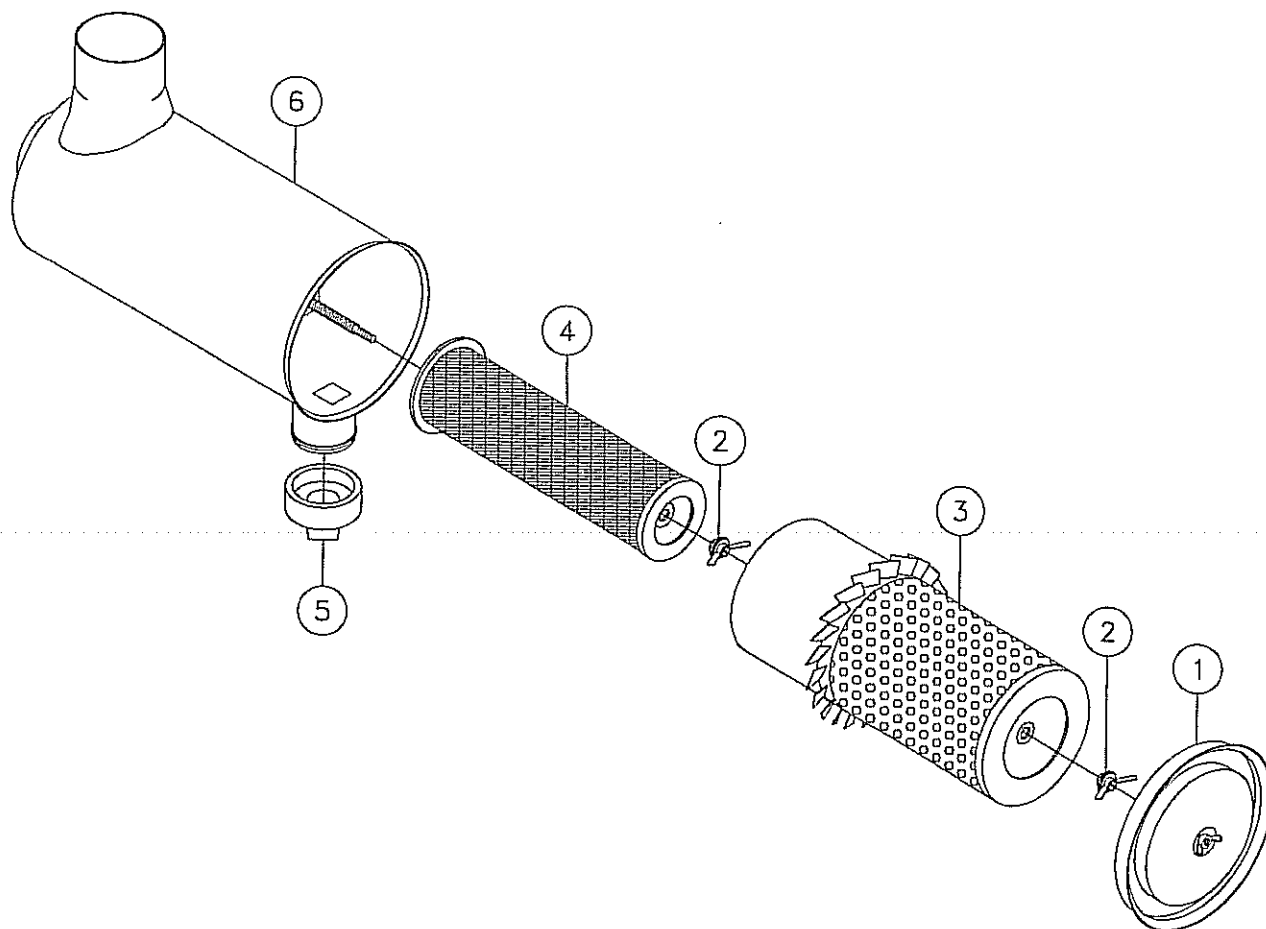
Figure 2-11



REF. NO.	PART NO.	DESCRIPTION	QTY.	REF. NO.	PART NO.	DESCRIPTION	QTY.	
2-11	1	236422-001	TANK-FUEL	1	2-11	11	485-025 WASHER-1/2 FLAT-HARDENED-ZINC	5
2-11	2	60109-001	8680 SPIRAL LEVEL GAUGE 19"	1	2-11	12	235713-001 WASHER-3/8 SAE HARD ZINC PLTD	6
2-11	3	235726-001	BOLT-3/8-16X3/4 GR8 HEX ZNCPLT	6	2-11	13	235731-001 NUT-1/2-13 GR8 ZINC PLTD	3
2-11	4	235909-001	CAP-DIESEL FUEL (LOCKABLE)	1	2-11	14	67570-001 PLUG- 12M	1
2-11	5	235899-001	FILLER-LOCKABLE FUEL	1	2-11	15	238241-001 BOLT 1/2"-13X 3 1/2" GR8 HEX Y	1
2-11	6	230965-001	CLAMP-1 3/4" W/17/32 HOLE	1	2-11	16	102995-001 STRAINER	1
2-11	7	78171-001	FITTING-1/8MNPTX5/16BARB STR.	2	2-11	17	235944-001 DISK-RUBBER SPACER	3
2-11	8	1580-001	HOSE CLAMP - 3/8"	6	2-11	18	240334-001 BOLT-1/2-13X1 3/4 GR8 ZINC PLT	1
2-11	9	620-001	HOSE - 5/16 FUEL LINE (SPECIFY LENGTH)	2	2-11	19	250501-001 BOLT 12MM X 25MM GR10.9 HEX Y/	1
2-11	10	235718-001	BOLT-1/2-13X2 GR8 HEX ZINC PLT	2	2-11	20	238249-001 12 MM HARD WASHER Y/ZINC	1

AIR CLEANER COMPONENTS

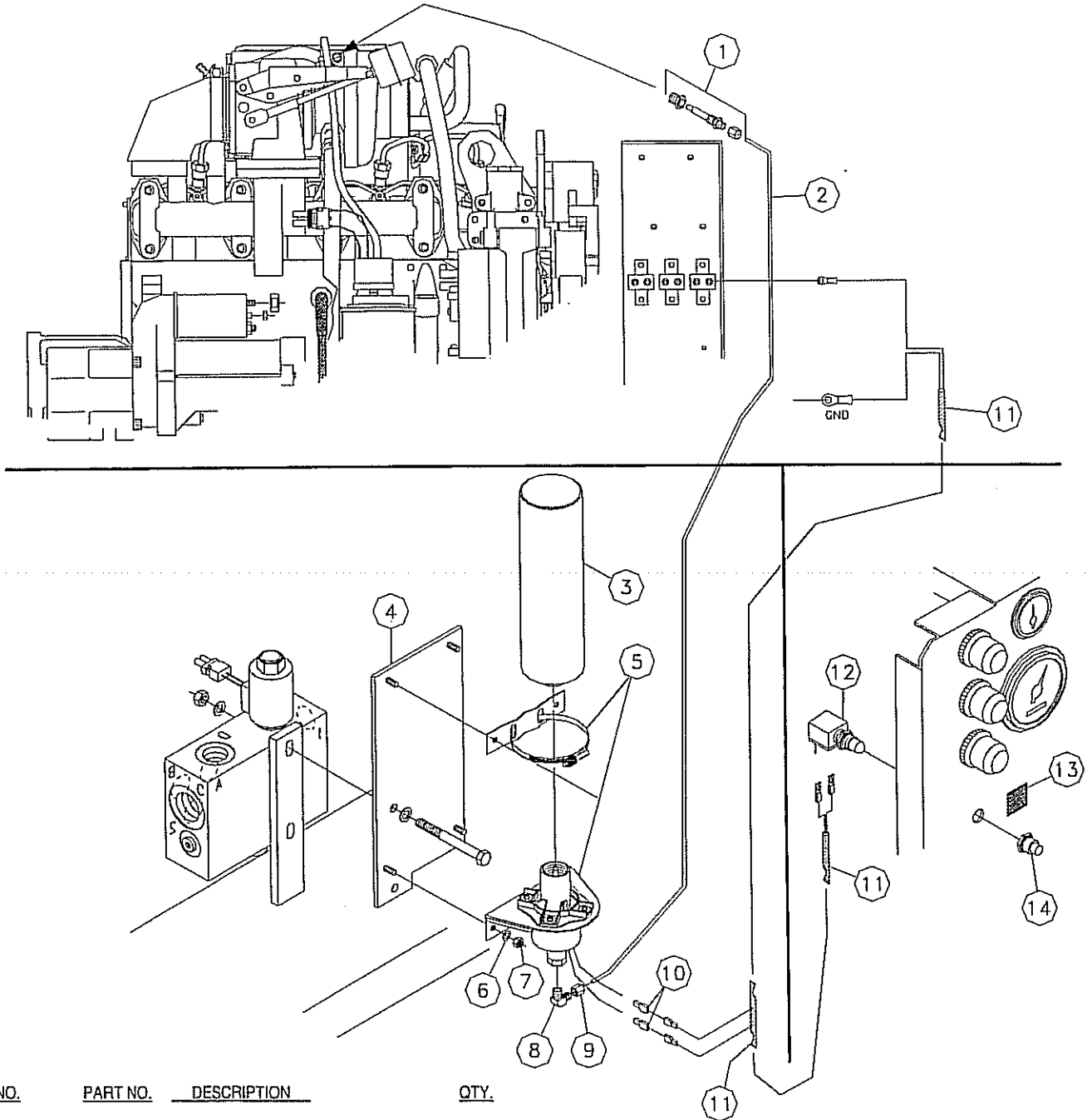
Figure 2-12



<u>REF. NO.</u>	<u>PART NO.</u>	<u>DESCRIPTION</u>	<u>QTY.</u>
2-12	1	901498-005 CUP ASSY	1
2-12	2	2146-009 NUT-WING	2
2-12	3	901498-003 ELEMENT-AIR CLEANER	1
2-12	4	901498-007 ELEMENT-SAFETY	1
2-12	5	200867-007 VALVE-VACUATOR	1
2-12	6	901498-009 BODY ASSY	1
	901498-001	AIR CLEANER (INC. ALL ITEMS IN THIS FIGURE)	

ETHER STARTING SYSTEM ASSEMBLY

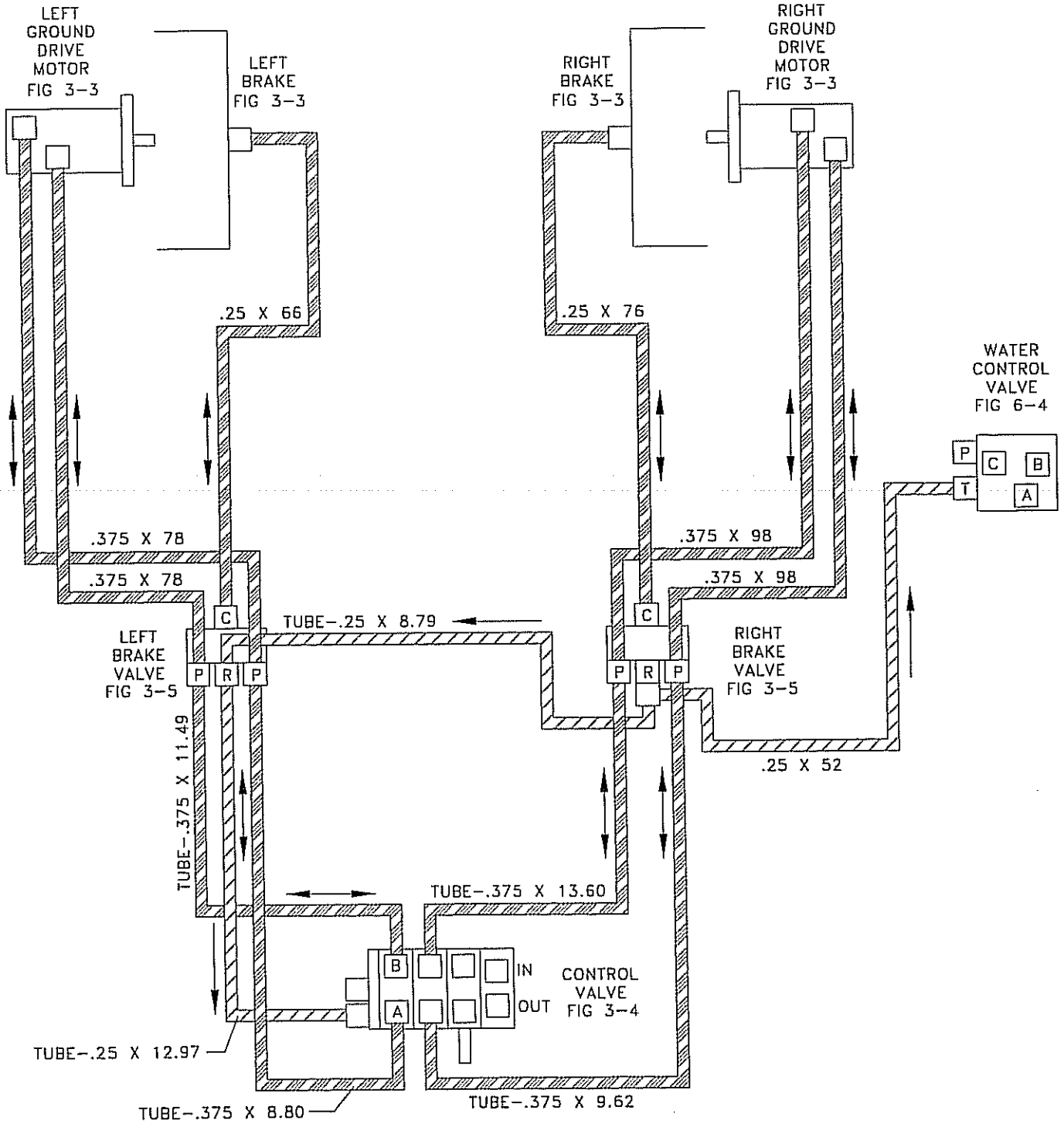
Figure 2-13



REF. NO.	PART NO.	DESCRIPTION	QTY.
2-13	1	223972-001 ATOMIZER-START FLUID 2HOLE 180	1
2-13	2	202831-001 TUBING-NYLON 1/8OD X 100' (SPECIFY LENGTH)	1
2-13	3	223973-001 CYLINDER-START FLUID 18 OZ.	1
2-13	4	250543-001 ADAPTER-PLATE MOUNT	1
2-13	5	250606-001 ETHER AID KIT (INC. REF. 1, 2, 8, 9 & 12)	1
2-13	6	235716-001 WASHER-1/4 SAE HARD ZINC PLTD	4
2-13	7	235732-001 NUT-1/4-20 GR8 ZINC PLTD	4
2-13	8	125406-003 FITTING (INC. REF. 9)	1
2-13	9	125406-005 FITTING ASSY	1
2-13	10	18988-001 TERM-.250FULL INS MALE SLD16GA	2
2-13	11	250545-001 WIRE HARNESS-ETHER SYSTEM	1
2-13	12	66816-001 SWITCH ASSY- #13389	1
2-13	13	7001A-193 DECAL-ETHER STARTING (UND)	1
2-13	14	90622-001 COVER-PUSHBUTTON SWITCH 5/8-32	1

HYDRAULIC COMPONENTS LOCATION DIAGRAM - GROUND DRIVE

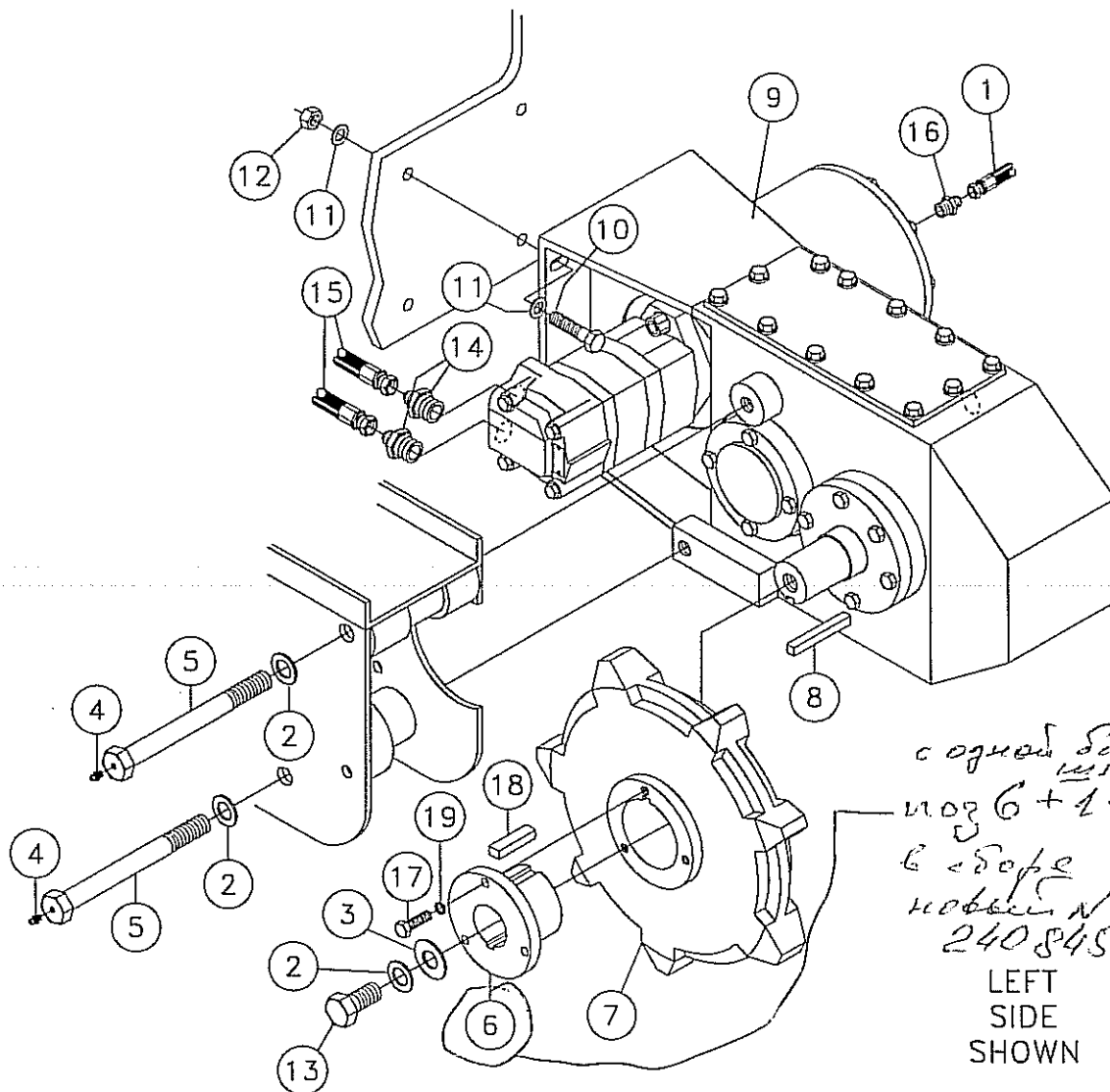
Figure 3-1



 RETURN LINE
 PRESSURE/RETURN LINE
 DIRECTION OF OIL FLOW

TRACK DRIVE GEARBOX ASSEMBLY

Figure 3-2

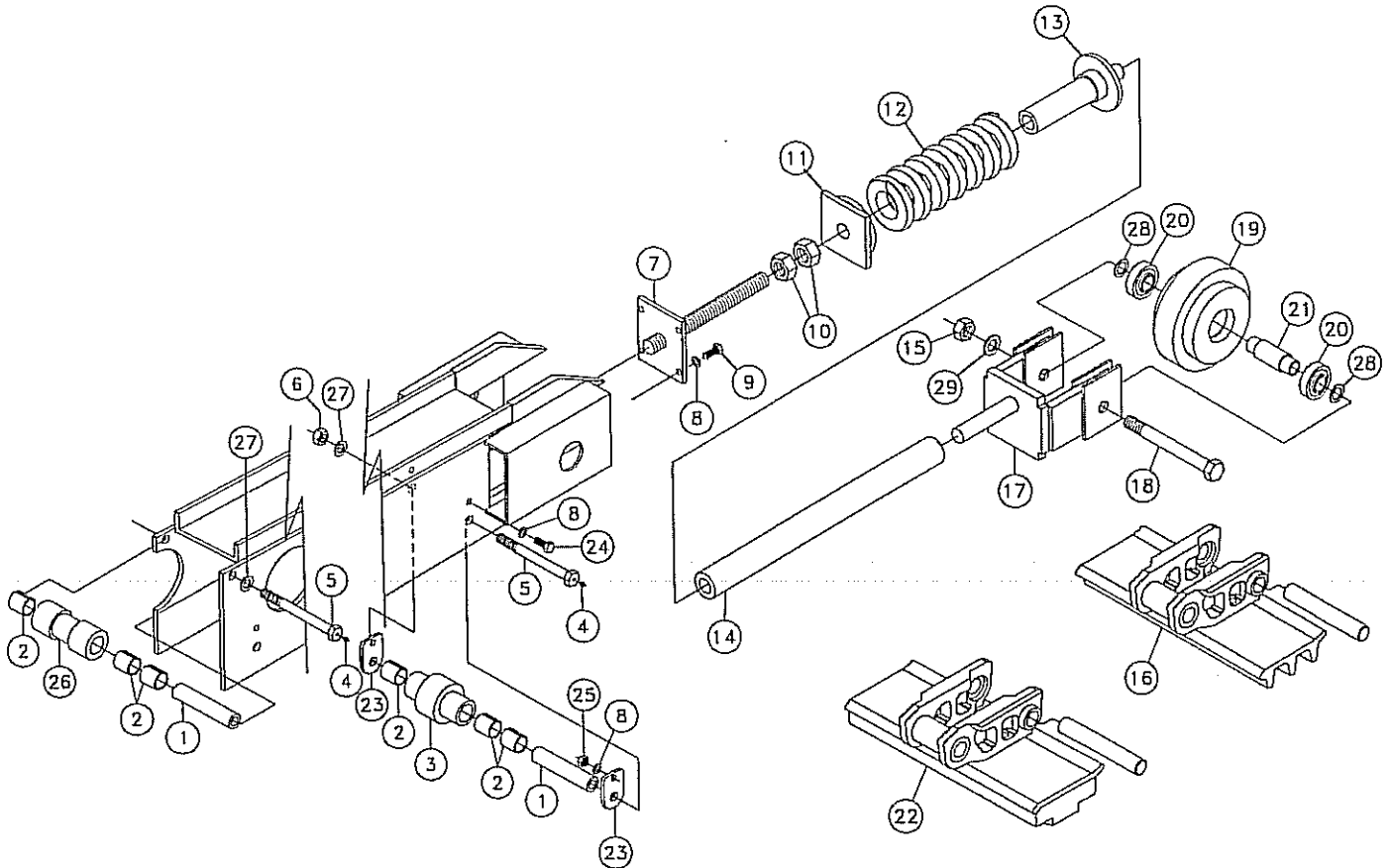


с одной стороны
шлицевой
муфта
240845-001
в сборе
LEFT
SIDE
SHOWN

REF. NO.	PART NO.	DESCRIPTION	QTY.	REF. NO.	PART NO.	DESCRIPTION	QTY.
3-2	1	53843-735 HOSE-1/4X66 4FSJICST/90D 3000# (LEFT SIDE)	1		222461-001	RIGHT GEARBOX ASSY (BREAKDOWN FIG. 3-6)	1
		53843-737 HOSE-1/4X76 4FSJICST/90D 3000# (RIGHT SIDE)	1	3-2	10	235718-001 BOLT-1/2-13X2 GR8 HEX ZINC PLT	8
3-2	2	235717-001 WASHER-3/4 SAE HARD ZINC PLTD	16	3-2	11	485-025 WASHER-1/2 FLAT-HARDENED-ZINC	16
3-2	3	485-017 WASHER-3/4 FLAT	2	3-2	12	235731-001 NUT-1/2-13 GR8 ZINC PLTD	8
3-2	4	598-001 ZERK-1/4" NF ST GREASE	16	3-2	13	235721-001 BOLT-1/2-13X1 1/2 GR8 ZINC PLT	2
3-2	5	230923-001 BOLT-ROLLER ASSY (INC. REF. 4)	16	3-2	14	57946-001 10MX#6JIC ST ADAPTER	4
3-2	6	230897-001 BUSHING-1 3/4 ID TAPERED SPLIT (INC. REF. 17 & 18)	2	3-2	15	57940-089 HOSE-3/8X78 6FS JIC (100R2) (LEFT) (SHOWN)	2
3-2	7	228161-001 SPROCKET-7T W/ HUB	2		57940-279	HOSE-3/8X98 6FS JIC 3000 PSI (RIGHT)	2
3-2	8	579-019 HKEYS-3/8X3/8X3	2	3-2	16	57968-001 6M O-RING 4M JIC STRAIGHT	2
3-2	9	222462-001 LEFT GEARBOX ASSY (SHOWN) (BREAKDOWN FIG. 3-6)	1	3-2	17	354-012 BOLT-3/8 - 16X 1 1/4" GR5 HEX	6
				3-2	18	230897-003 KEY-1/2 X 3/8 X 2"	2
				3-2	19	480-007 WASHER-3/8 S/T LOCK	6

TRACK CHAIN, ROLLER & TIGHTENER ASSEMBLY

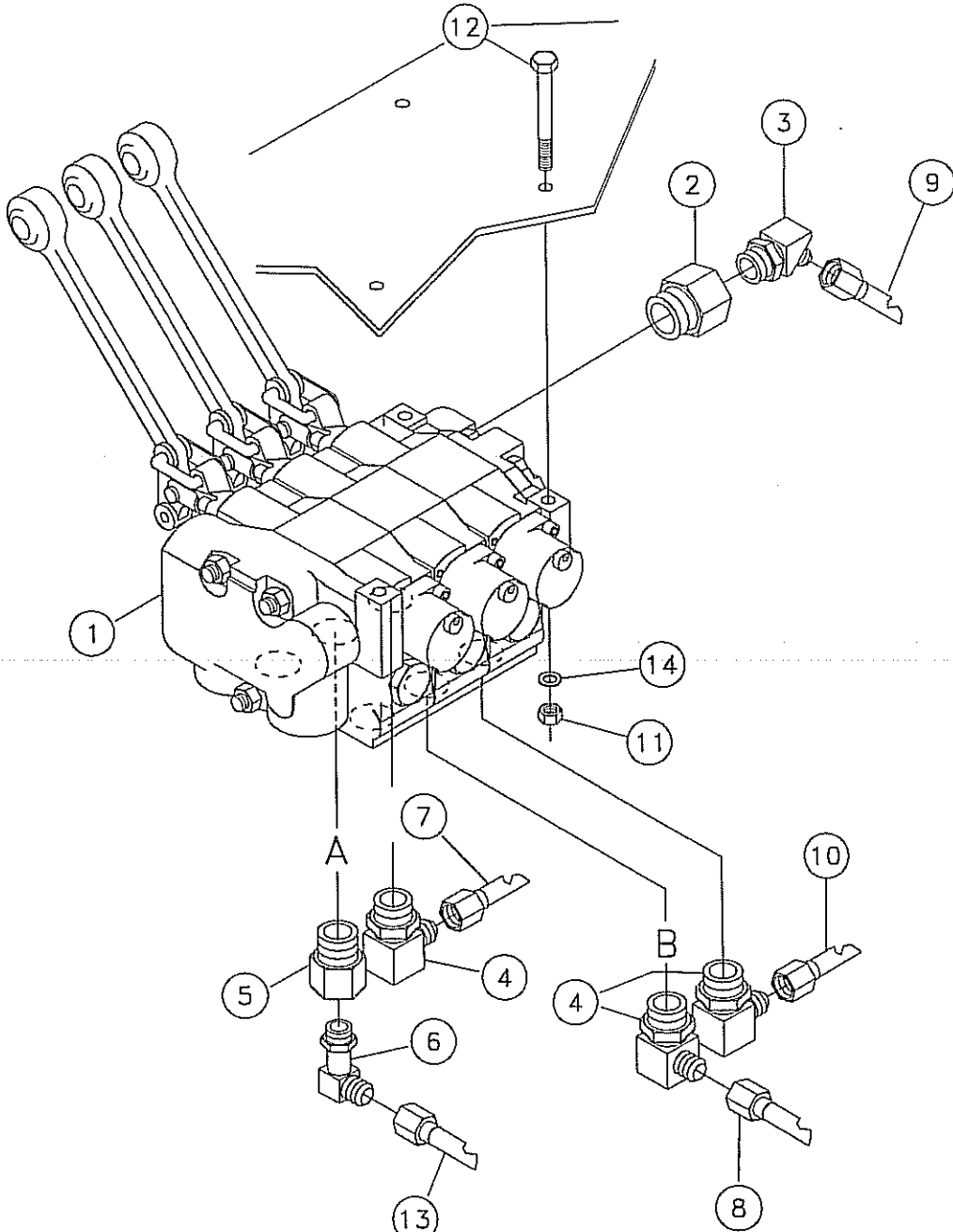
Figure 3-3



REF. NO.	PART NO.	DESCRIPTION	QTY.	REF. NO.	PART NO.	DESCRIPTION	QTY.
3-3	1	230894-001 TUBE - SPACER	16	3-3	17	230904-001 SLIDER	2
3-3	2	1835-027 BSHG.-STL-1 1/2X1 1/4X1 1/2	48	3-3	18	388-090 BOLT-1 8UNCX9 GR.8	2
3-3	3	235894-003 ROLLER ASSEMBLY-TRACK (INC. THREE OF REF. 2)	14	3-3	19	236469-001 IDLER ROLLER ASSY (INC. REF. 20 & 21)	2
3-3	4	598-001 ZERK-1/4" NF ST GREASE	16	3-3	20	235970-001 BRG-1 1/4 BALL 3LIP SEALW/OCOL	4
3-3	5	230923-001 BOLT-ROLLER ASSY (INC. REF. 4)	16	3-3	21	235969-001 TUBE-IDLER SPACER	2
3-3	6	235739-001 NUT-3/4-10 GR8 ZINC PLTD	12	3-3	22	230841-001 RUBBER TRACK-25MMX400M CHAIN	2
3-3	7	230907-001 TIGHTENER- BASE PLATE	2	230841-003	SECTION-TRACK (RUBBER)	34 (per track)	
3-3	8	485-025 WASHER-1/2 FLAT-HARDENED-ZINC	64	230840-005	PIN-MASTER	1	
3-3	9	235721-001 BOLT-1/2-13X1 1/2 GR8 ZINC PLT	8	230840-007	PIN-TRACK	33	
3-3	10	238216-001 NUT-1 1/2-7 GR8 ZINC YC	4	3-3	23	235888-001 PLATE-TRACK WASHER	28
3-3	11	230906-001 CAP- SPRING	2	3-3	24	235721-001 BOLT-1/2-13X1 1/2 GR8 ZINC PLT	28
3-3	12	1803-051 SPRING-COMP.1"WX4 1/2OD X 12"	2	3-3	25	235731-001 NUT-1/2-13 GR8 ZINC PLTD	28
3-3	13	230905-001 END- SPRING ALIGNMENT CHP	2	3-3	26	236468-001 UPPER ROLLER ASSY (INC. THREE OF REF. 2)	2
3-3	14	230888-001 TUBE- TIGHTENER	2	3-3	27	235717-001 WASHER-3/4 SAE HARD ZINC PLTD	4
3-3	15	238215-001 NUT 1-8 GR8 ZINC YC	2	3-3	28	483-005 WASHER-1 1/2X1X14 GA M.B.	A/R
3-3	16	230840-001 STEEL TRACK-35MMX40MM CHAIN	2	3-3	29	238692-001 WASHER-1" HARDENED FLAT ZY	2
		230840-003 SECTION-TRACK (STEEL)	34 (per track)				
		230840-005 PIN-MASTER	1				

CONTROL VALVE ASSEMBLY - 3 SPOOL

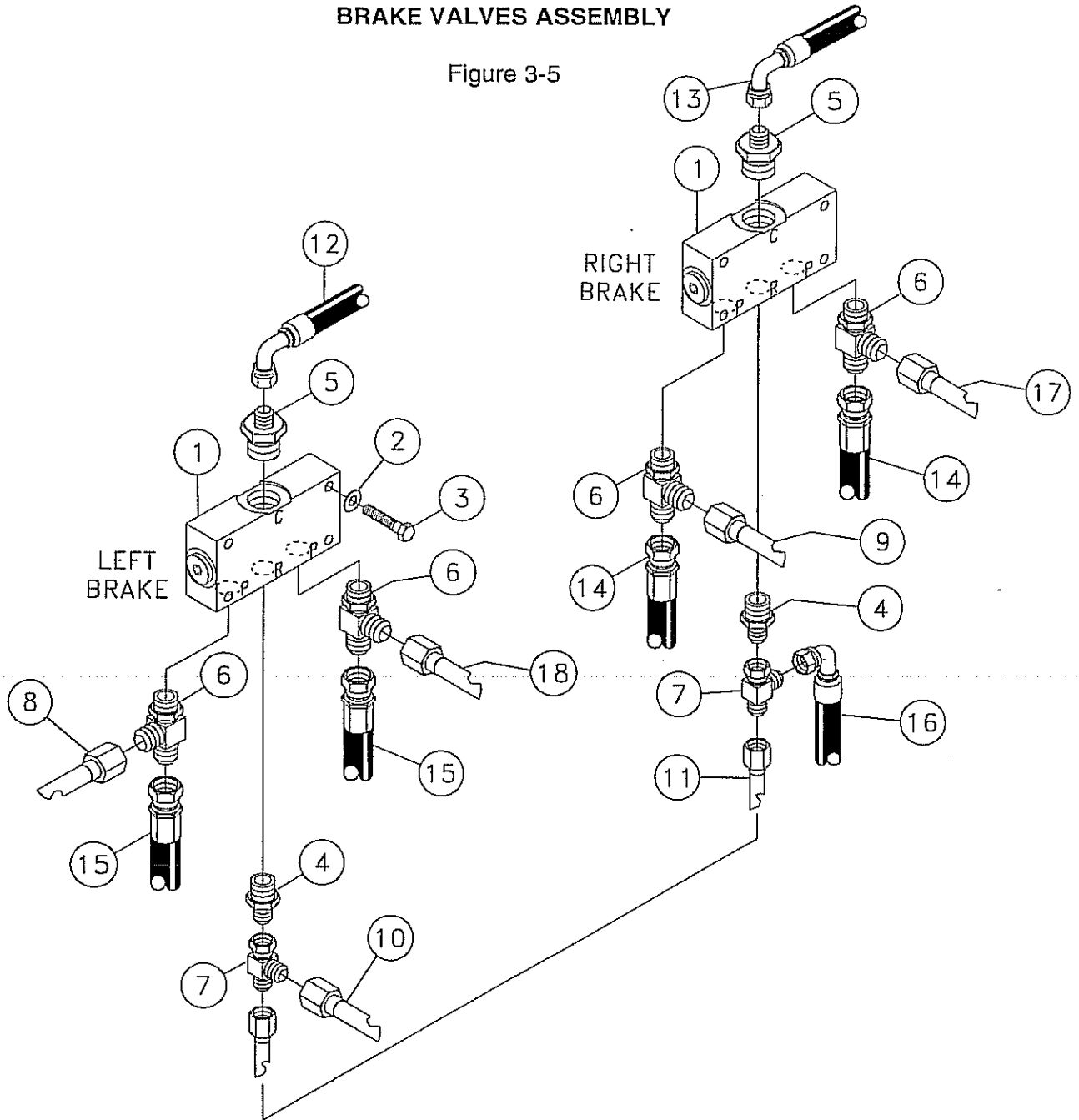
Figure 3-4



REF. NO.	PART NO.	DESCRIPTION	QTY.
3-4	1	236457-001 VALVE-3 SPOOL CONTROL (BREAKDOWN FIG. 3-8)	1
3-4	2	81702-001 FITTING-12MX8F STR.	1
3-4	3	82932-001 FITTING-8MX4M JIC 45DEG ELBOW	1
3-4	4	59401-001 6M JICX10M ADJ. 90 DEG.ELBOW	3
3-4	5	57967-001 10M-6F O-RING BUSHING	1
3-4	6	65570-001 6M X 6M JIC 90 DEGREE LONG	1
3-4	7	235994-001 TUBE-3/8 X .049 WALL - 8.80	1
3-4	8	235992-001 TUBE-3/8X.049 WALL - 13.60	1
3-4	9	235998-001 TUBE-1/4 X .035 WALL - 12.97	1
3-4	10	235995-001 TUBE-3/8 X .049 WALL - 11.49	1
3-4	11	235741-001 NUT-5/16-18 GR8 ZINC PLTD	3
3-4	12	238212-001 BOLT-5/16-18 X 3" GR8 HEX YZI	3
3-4	13	235993-001 TUBE-3/8 X .049 WALL - 9.62	1
3-4	14	235714-001 WASHER-5/16 SAE HARD ZINC PLTD	3

BRAKE VALVES ASSEMBLY

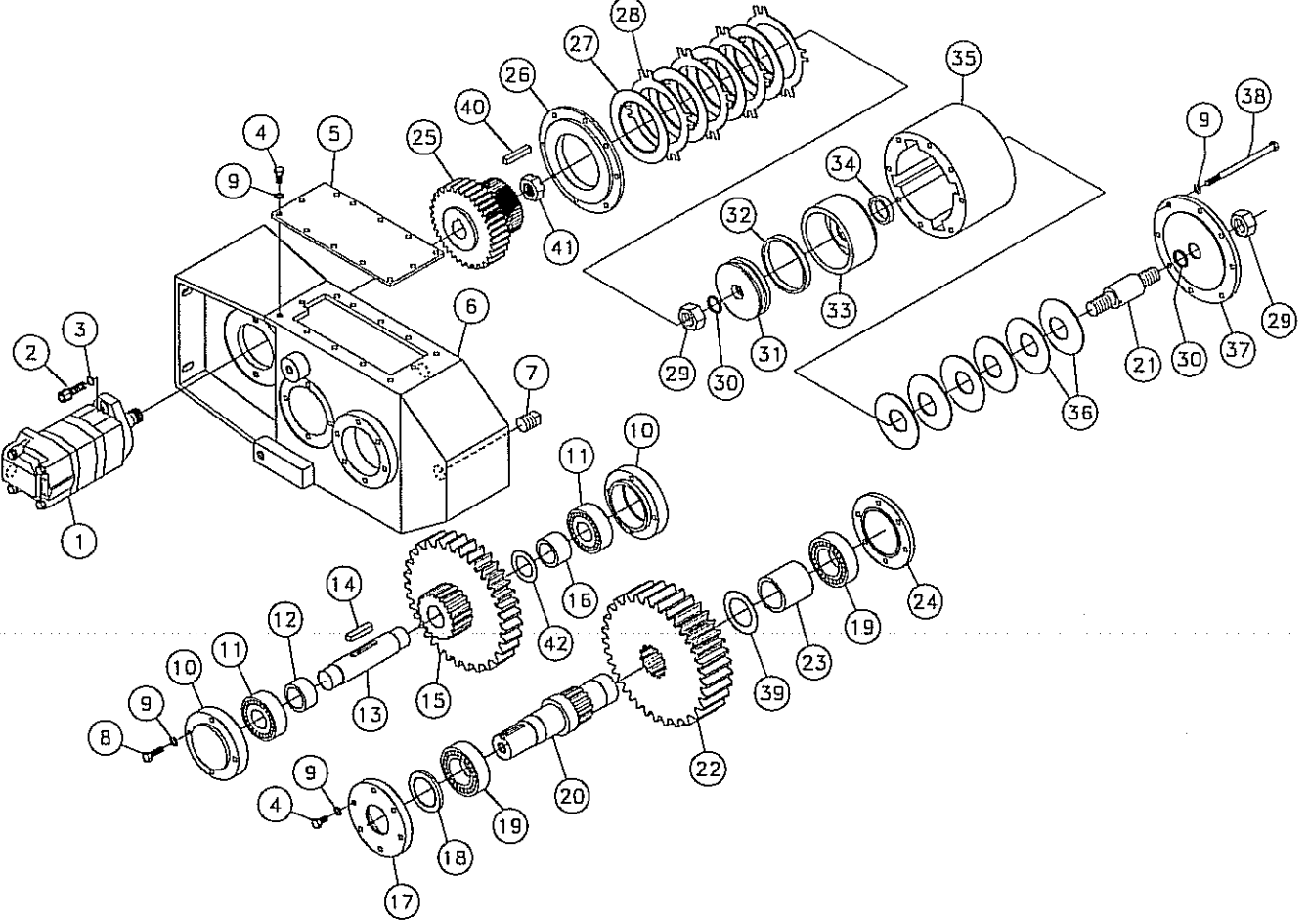
Figure 3-5



REF. NO.	PART NO.	DESCRIPTION	QTY.
3-5	1	225190-001 VALVE-SHUTTLE	2
3-5	2	235716-001 WASHER-1/4 SAE HARD ZINC PLTD	4
3-5	3	250008-001 BOLT 1/4-20 X 1 1/4 ZINC PL	4
3-5	4	57968-001 6M O-RING 4M JIC STRAIGHT	2
3-5	5	53657-001 FITTING-8M OR X 4M JIC ST.	2
3-5	6	68774-001 FITTING-6MX6M JIC (RUN)X6M JIC	4
3-5	7	60248-001 TEE-4M JICX4M JICX4FS JIC	2
3-5	8	235995-001 TUBE-3/8 X .049 WALL - 11.49	1
3-5	9	235992-001 TUBE-3/8X.049 WALL - 13.60	1
3-5	10	235998-001 TUBE-1/4 X .035 WALL - 12.97	1
3-5	11	235997-001 TUBE-1/4 X .035 WALL - 8.79	1
3-5	12	53843-735 HOSE-1/4X66 4FSJICST/90D 3000#	1
3-5	13	53843-737 HOSE-1/4X76 4FSJICST/90D 3000#	1
3-5	14	57940-279 HOSE-3/8X98 6FS JIC 3000 PSI	2
3-5	15	57940-089 HOSE-3/8X78 6FS JIC (100R2)	2
3-5	16	236449-001 HOSE-1/4X52 4FSJIC ST/90 3000	1
3-5	17	235993-001 TUBE-3/8 X .049 WALL - 9.62	1
3-5	18	235994-001 TUBE-3/8 X .049 WALL - 8.80	1

TRACK DRIVE GEARBOX COMPONENTS

Figure 3-6

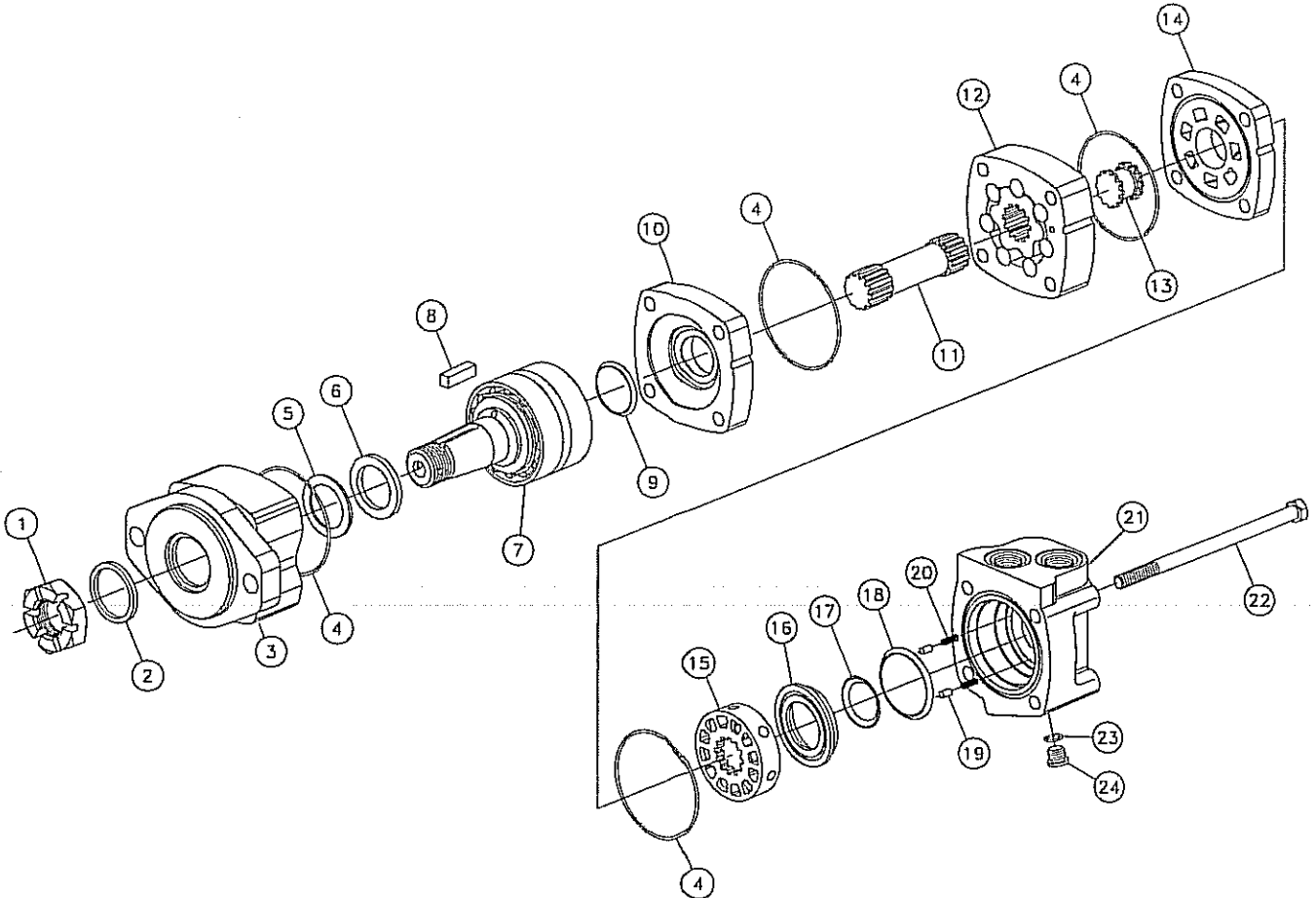


REF. NO.	PART NO.	DESCRIPTION	QTY.	REF. NO.	PART NO.	DESCRIPTION	QTY.
3-6	1	230859-001	1	3-6	25	225106-001	1
3-6	2	58726-001	2	3-6	26	225098-001	1
3-6	3	480-011	2	3-6	27	219132-001	4
3-6	4	235726-001	24	3-6	28	219133-001	4
3-6	5	225103-001	1	3-6	29	5460-001	2
3-6	6	222459-001	1	3-6	30	793-017	2
		222458-001	1	3-6	31	225107-001	1
		732-009	2	3-6	32	58139-001	1
3-6	7	235736-001	8	3-6	33	225110-001	1
3-6	8	235713-001	32	3-6	34	57301-001	1
3-6	9	212840-001	2	3-6	35	225099-001	1
3-6	10	224557-001	2	3-6	36	222486-001	6
3-6	11	225075-001	1	3-6	37	225113-001	1
3-6	12	225070-001	1	3-6	38	238214-001	8
3-6	13	579-011	1	3-6	39	235873-001	1
3-6	14	225105-001	1	3-6	39	483-017	1
3-6	15	225074-001	1	3-6	40	218249-003	1
3-6	16	225072-001	1	3-6	41	2876-003	1
3-6	17	230781-001	1	3-6	42	483-009	1
3-6	18	1706-001	1				
3-6	19	225111-001	1			222462-001	LEFT GEARBOX ASSY (INC. ALL ITEMS IN FIG. 3-6)
3-6	20	225111-001	1			222461-001	RIGHT GEARBOX ASSY (INC. ALL ITEMS IN FIG. 3-6)
3-6	21	235269-001	1				
3-6	22	225076-001	1				
3-6	23	225071-001	1				
3-6	24		1				

18 249151-001 SEAL (As per) 1

HYDRAULIC MOTOR COMPONENTS

Figure 3-7

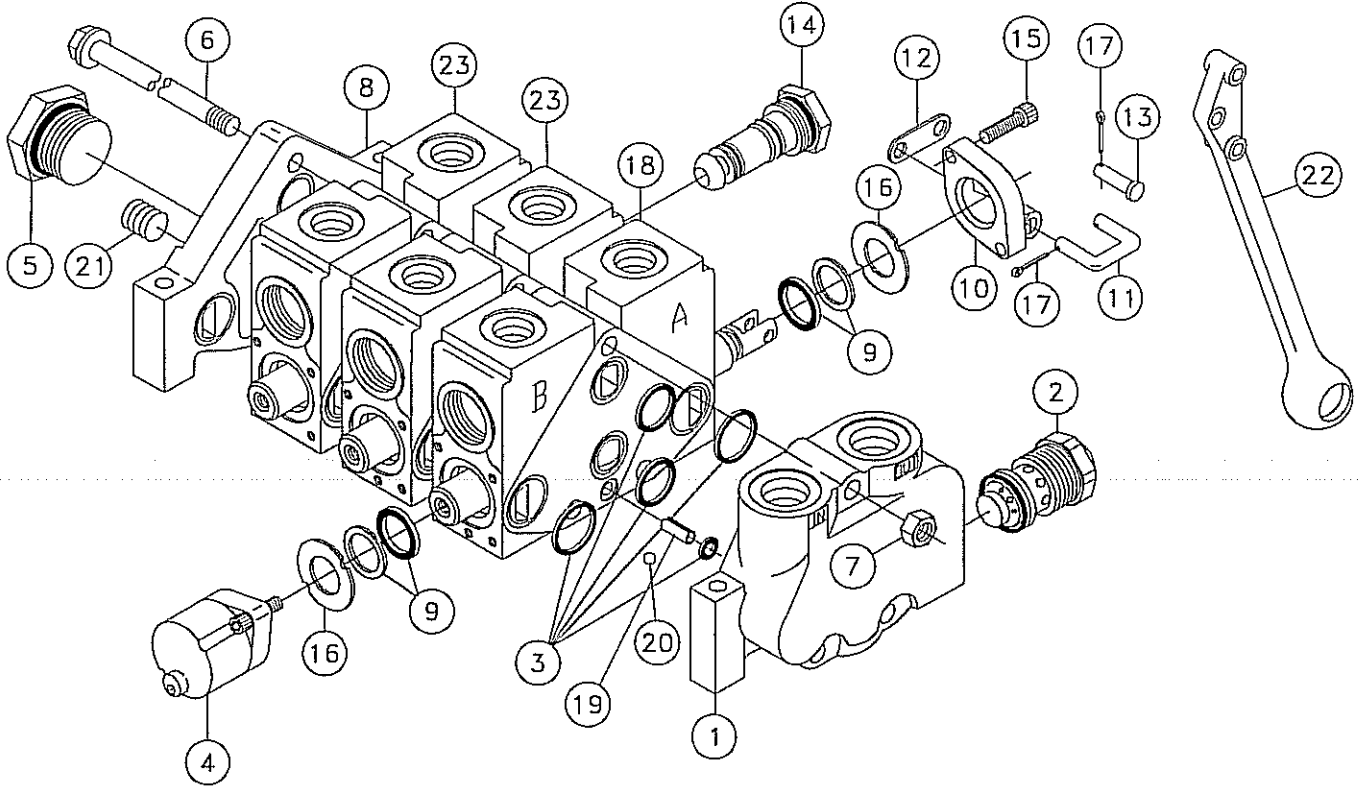


REF. NO.	PART NO.	DESCRIPTION	QTY.	REF. NO.	PART NO.	DESCRIPTION	QTY.
3-7	1	230588-003 NUT-SLOTTED	1	3-7	15	770-087 VALVE	1
3-7	2	770-071 SEAL-DUST	1	3-7	16	770-089 PLATE-BALANCE	1
3-7	3	770-073 HOUSING-BEARING	1	3-7	17	770-057 SEAL-FACE INNER	1
3-7	4	770-007 SEAL-O RING	4	3-7	18	770-091 SEAL-FACE, OUTER	1
3-7	5	770-009 WASHER-BACKUP	1	3-7	19	770-037 PIN	2
3-7	6	770-075 SEAL-SHAFT	1	3-7	20	770-039 SPRING	2
3-7	7	209107-005 SHAFT & BEARING KIT (INC. THE FOLLOWING PARTS)	1	3-7	21	770-093 HOUSING-(SAE 10 PORTS)	1
		NSS SHAFT-OUTPUT	1	3-7	22	774-017 BOLT	4
		NSS CONE-BEARING	2			70020-007 BOLT	4
		NSS CUP-BEARING	2	3-7	23	4485-023 O-RING	1
		NSS SPACER-BEARING	1	3-7	24	4485-019 PLUG	1
		NSS RING-RETAINING	1			4485-021 PLUG ASSY (INC. REF. 23 & 24)	1
3-7	8	218249-003 KEY-SHAFT	1			770-097 REPAIR KIT (INC. REF. 2, 4-6, 9, 17, 18 & 23)	
3-7	9	770-017 SEAL-SHAFT FACE	1			230859-001 MOTOR- HYD. (INC. ALL ITEMS IN THIS FIGURE)	
3-7	10	770-079 PLATE-WEAR	1			NSS NOT SOLD SEPARATELY	
3-7	11	70020-003 DRIVE-GEROLER ASSY	1				
3-7	12	70020-005 DRIVE-VALVE	1				
3-7	13	774-011 PLATE-VALVE	1				
3-7	14	770-085	1				

NOTE: WHEN ORDERING PARTS INCLUDE PRODUCT #104-1226-006 WITH ORDER.

CONTROL VALVE COMPONENTS - 3 SPOOL

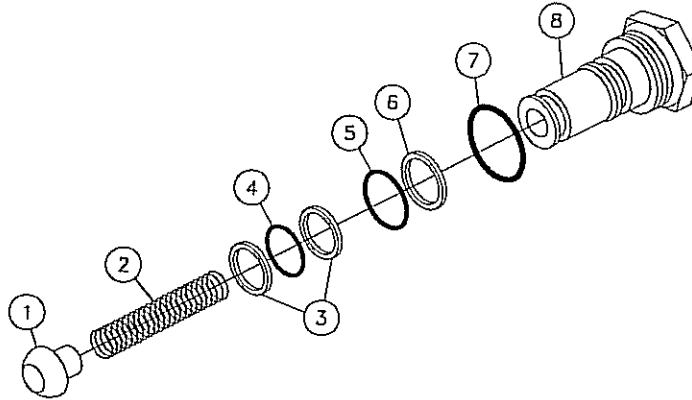
Figure 3-8



REF. NO.	PART NO.	DESCRIPTION	QTY.	REF. NO.	PART NO.	DESCRIPTION	QTY.
3-8	1	228113-003 LEFT COVER PLATE COMPLETE (INC. REF. 2)	1	3-8	15	79704-001 SCREW-1/4-20X7/8 SOC HD SELFLK	6
3-8	2	228113-005 WH MAIN RELIEF (3500 PSI)	1	3-8	16	3147-081 RETAIN-PLT WASH	6
3-8	3	87390-001 REPAIR KIT-LOAD SENSING SECT.	4	3-8	17	510-035 PIN-3/32 X 1/2 COTTER	9
3-8	4	6149-005 POSITIONER-STD. (BREAKDOWN FIG. 3-10)	3	3-8	18	224397-003 BODY ASSEMBLY-CENTER SECTION (INC. ONE OF REF. 3, 4, 9-11, 13, 19, 20 & 22, TWO OF REF. 14-16 & THREE OF REF. 17)	1
3-8	5	3152-011 PLUG SAE 12 (INC. O-RING)	1	3-8	19	87397-001 PIN-SPRING	1
3-8	5	3152-013 SEAL-O-RING	1	3-8	20	87398-001 BALL	1
3-8	6	16358-005 STUD KIT-3 SPOOL (INC. REF. 7)	1	3-8	21	3213-017 PLUG-RELIEF 3/8"	1
3-8	7	446-001 NUT-3/8 NF HEX	3	3-8	22	3147-039 HANDLE - CP VALVE	3
3-8	8	102976-001 COVER ASSY-RIGHT LOAD SEN. (INC. ONE OF REF. 3, 5 & 21)	1	3-8	23	236457-003 BODY ASSEMBLY-CNTR SEC W/FREE FLOW (INC. ONE OF REF. 3, 4, 9-11, 13, 19, 20 & 22, TWO OF REF. 14-16 & THREE OF REF. 17)	2
3-8	9	3147-077 REPAIR KIT	3				
3-8	10	3147-029 BRACKET	3				
3-8	11	4333-003 LINK-	3				
3-8	12	4333-005 PLATE-LINK	3				
3-8	13	2110-003 PIN-CLEVIS 1/4X7/8 - 47/64 UL	3				
3-8	14	3147-035 PLUG-LOAD CHECK STEEL (BREAKDOWN FIG. 3-9)	6				
						236457-001 VALVE-3 SPOOL CONTROL (INC. ALL ITEMS IN THIS FIGURE)	

LOAD CHECK PLUG COMPONENTS

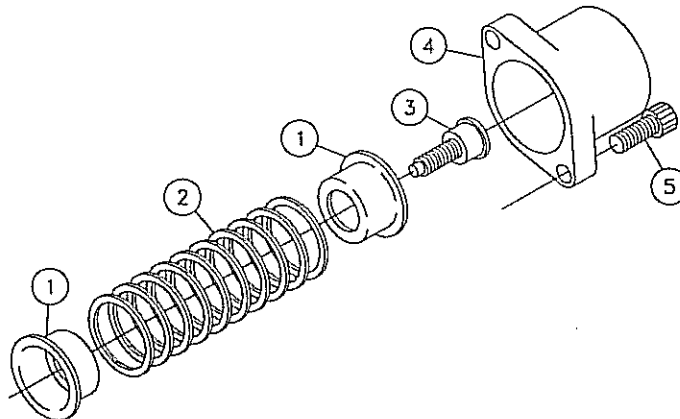
Figure 3-9



<u>REF. NO.</u>	<u>PART NO.</u>	<u>DESCRIPTION</u>	<u>QTY.</u>	<u>REF. NO.</u>	<u>PART NO.</u>	<u>DESCRIPTION</u>	<u>QTY.</u>
3-9	1	3128-009 POPPET-CHECK	1	3-9	7	NSS O-RING	1
3-9	2	3147-041 SPRING-CHECK	1	3-9	8	3147-043 PLUG-LIFT CHECK	1
3-9	3	NSS WASHER-BACKUP (INNER)	2				
3-9	4	NSS O-RING	1		3147-035	PLUG-LOAD CHECK STEEL (INC. REF. 1-8)	
3-9	5	NSS O-RING (OUTER)	1		3147-037	REPAIR KIT (INC. REF. 3-7)	
3-9	6	NSS WASHER-BACKUP (OUTER)	1				

STANDARD SPOOL POSITIONER COMPONENTS

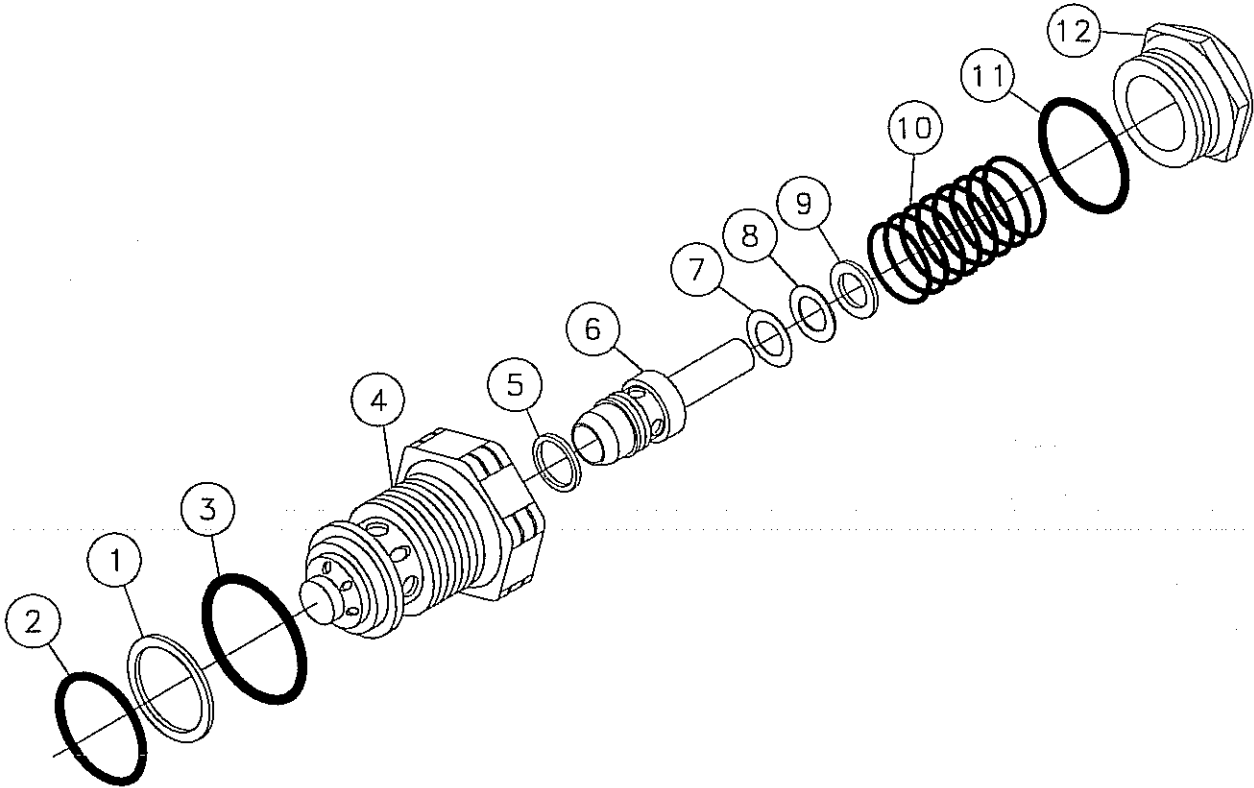
Figure 3-10



<u>REF. NO.</u>	<u>PART NO.</u>	<u>DESCRIPTION</u>	<u>QTY.</u>	<u>REF. NO.</u>	<u>PART NO.</u>	<u>DESCRIPTION</u>	<u>QTY.</u>
3-10	1	3149-005 COLLAR-SPRING	2	3-10	4	6149-043 BONNET	1
3-10	2	6149-057 SPRING-RETURN	1	3-10	5	79704-001 SCREW-1/4-20X7/8 SOC HD SELFLK	2
3-10	3	3149-013 COLLAR-SPOOL	1		6149-005	POSITIONER-STD. (INC. REF. 1-7)	

WH MAIN RELIEF COMPONENTS

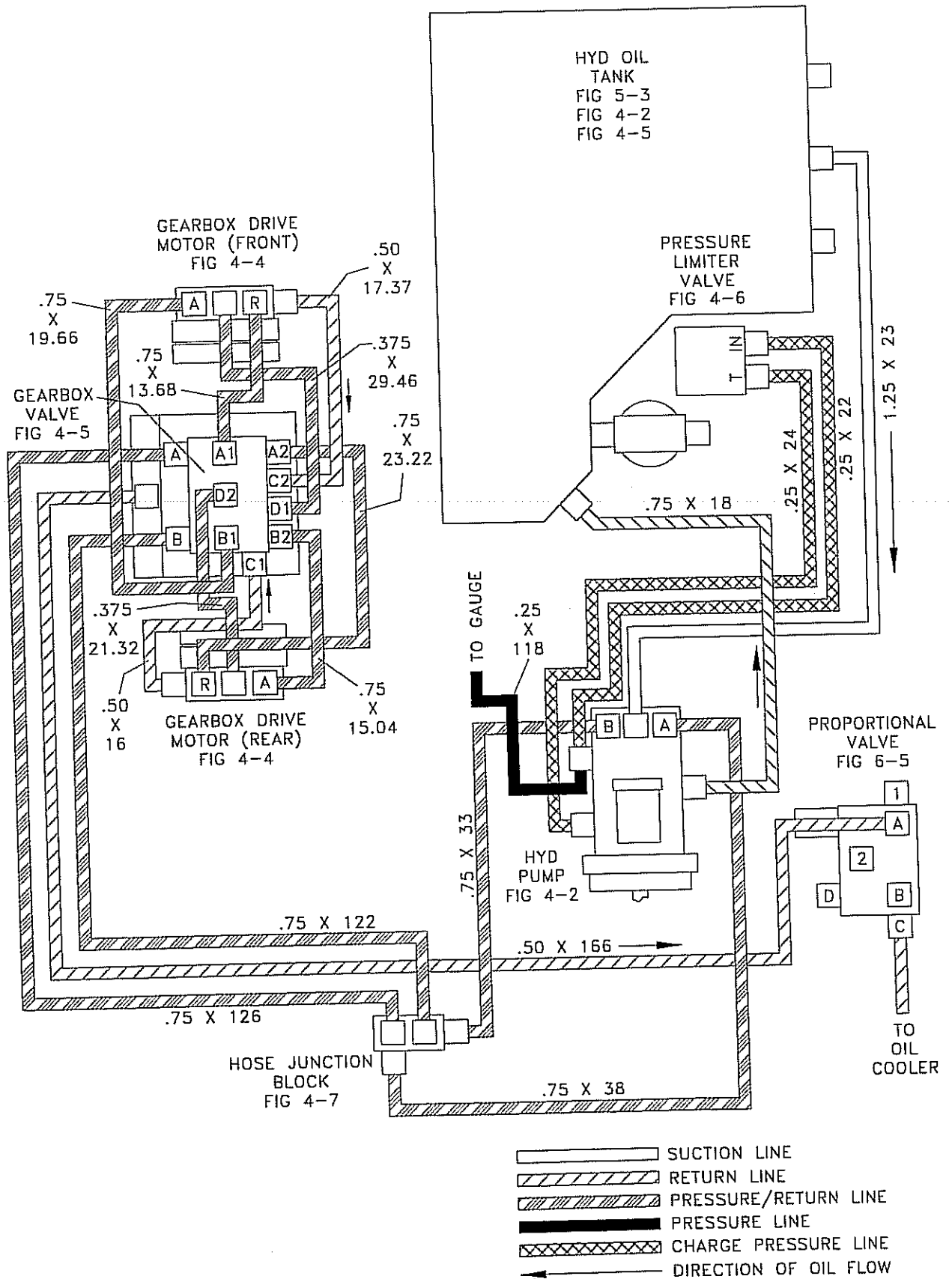
Figure 3-11



REF. NO.	PART NO.	DESCRIPTION	QTY.
1-11	1	NSS RING-BACKUP	1
1-11	2	NSS SEAL-O-RING	1
1-11	3	NSS SEAL-O-RING	1
1-11	4	15844-009 BODY-WH RELIEF	1
1-11	5	NSS RING-PISTON	1
1-11	6	NSS POPPET	1
1-11	7	208-019 SHIM-.010	A/R
1-11	8	208-017 SHIM-.020	A/R
1-11	9	208-015 SHIM-.040	A/R
1-11	10	228113-007 SPRING (3000-3500 PSI)	1
1-11	11	NSS SEAL-O-RING	1
1-11	12	3147-027 CAP	1
	3147-011	SERVICE KIT (INC. REF. 5 & 6)	
	15844-007	REPAIR KIT (INC. REF. 1, 3 & 11)	
	228113-005	WH MAIN RELIEF (3500 PSI) (INC. REF. 1-12)	

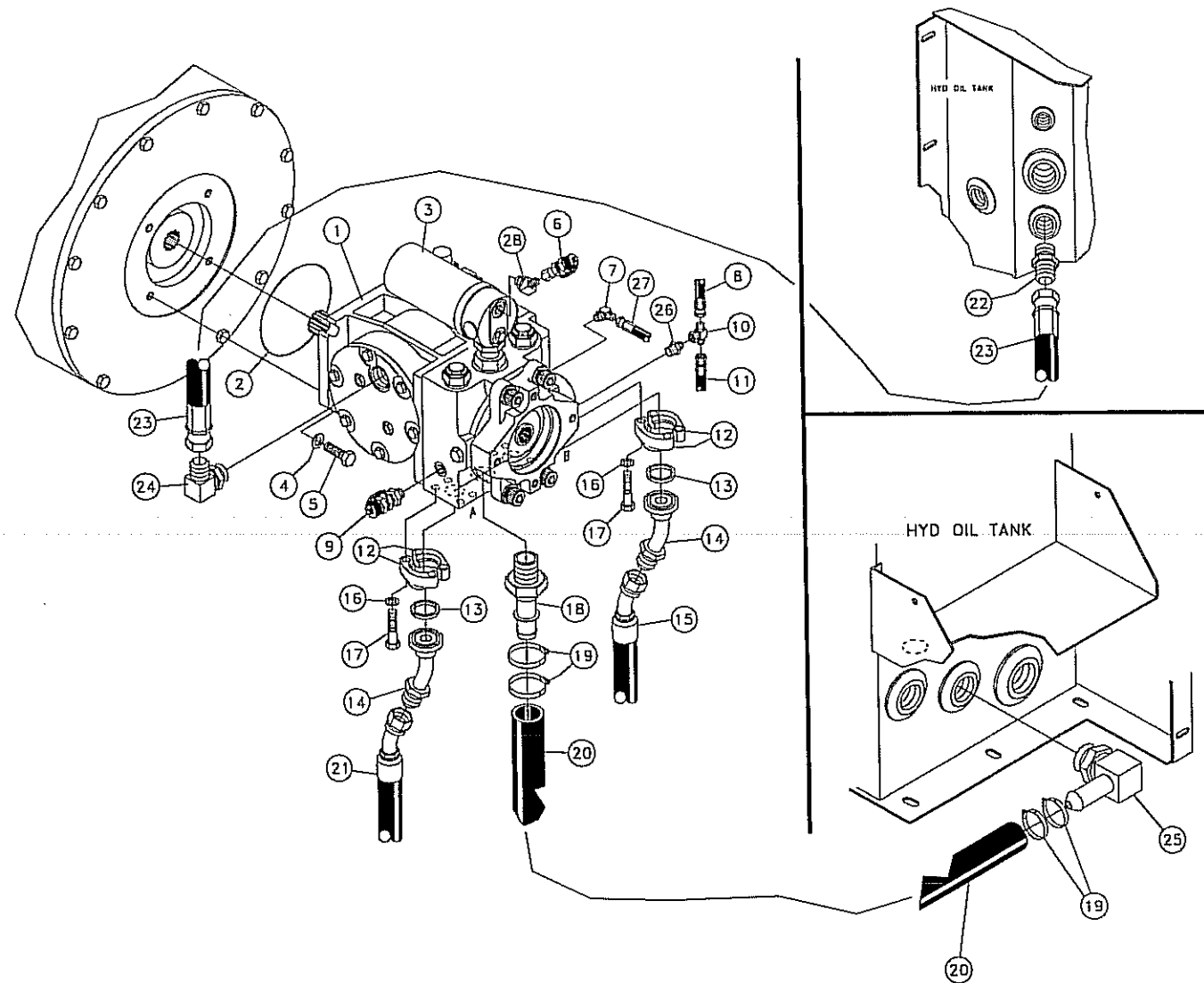
HYDRAULIC COMPONENTS LOCATION DIAGRAM - ROTATION DRIVE

Figure 4-1



HYDROSTATIC PUMP ASSEMBLY

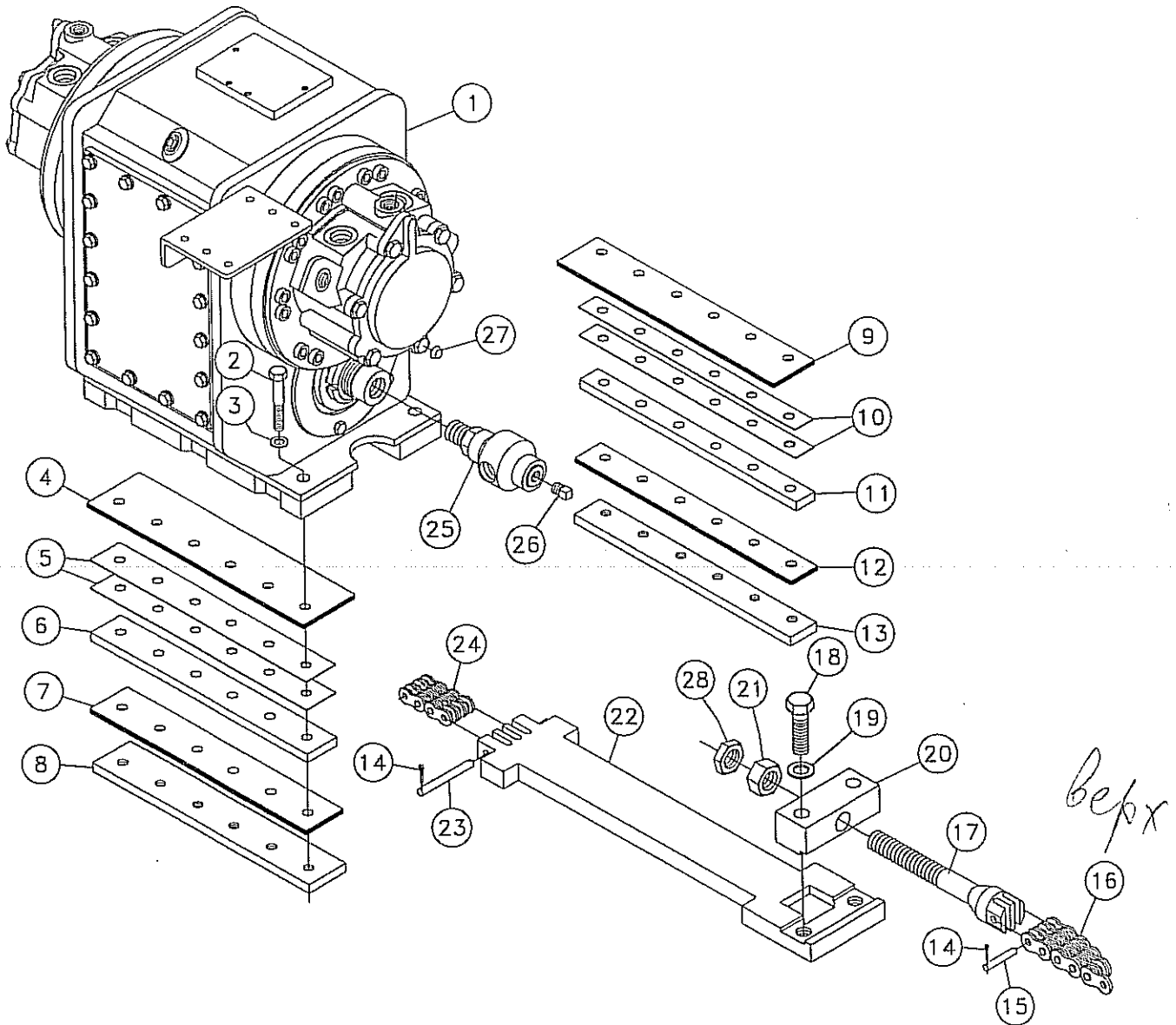
Figure 4-2



REF. NO.	PART NO.	DESCRIPTION	QTY.	REF. NO.	PART NO.	DESCRIPTION	QTY.
4-2	1	228116-001 PUMP-HYD. ASSY. (BREAKDOWN FIG. 4-16)	1	4-2	15	53845-749 HOSE-3/4X33 12FS.JIC ST/45 6000	1
4-2	2	85642-163 O-RING	1	4-2	16	250540-001 WASHER-7/16 HARDENED FLAT Y/	8
4-2	3	81902-001 FILTER-OIL	1	4-2	17	250507-001 BOLT 7/16-14 X 1 3/4 GR8 HEX Y	8
4-2	4	485-025 WASHER-1/2 FLAT-HARDENED-ZINC	4	4-2	18	904818-001 INSERT-16M X 1 1/4 HOSE	1
4-2	5	235721-001 BOLT-1/2-13X1 1/2 GR8 ZINC PLT	4	4-2	19	238094-001 CLAMP-3/4X1 3/4 BAND W/SCREW	4
4-2	6	83015-001 FITTING-4F JIC DIAGNOSTIC	4	4-2	20	240859-001 HOSE-SUCTION 1 1/4"ID -23.00"	1
4-2	7	600118-001 FITTING-6MORINGX4MJIC90PARKER	1	4-2	21	53845-807 HOSE-3/4X38 12FS.JICST/45D6000#	1
4-2	8	53843-743 HOSE-1/4X22 4FSJICST 6000 PSI	1	4-2	22	53828-001 #12M O-RING-#12M JIC ST.	1
4-2	9	72056-001 COUPLER-DIAG. TCM-20 9/16NF	2	4-2	23	53845-531 HOSE-3/4X18 12FS JIC 3000 PSI	1
4-2	10	66996-001 TEE-4FS JIC BCHX4M JICX4M JIC	1	4-2	24	59410-001 12M JICX12M ADJ. 90 DEG.ELBOW	1
4-2	11	53843-739 HOSE-1/4X118 4FSJICST/ST 6000#	1	4-2	25	99999-001 FITTING-20MORINGX1 1/4BEAD 90	1
4-2	12	67745-001 SPLIT FLANGE HALF CODE 62/16	4	4-2	26	57968-001 6M O-RING 4M JIC STRAIGHT	1
4-2	13	72895-001 O RING-SQ. #16 FLANGE	2	4-2	27	68210-001 HOSE-1/4X24 4FS JIC (M2T)	1
4-2	14	65930-001 12 JIC MX1"-62 45	2	4-2	28	82931-001 FITTING-6MX4M JIC 45DEG.ELBOW	1

ROTATION GEARBOX ASSEMBLY

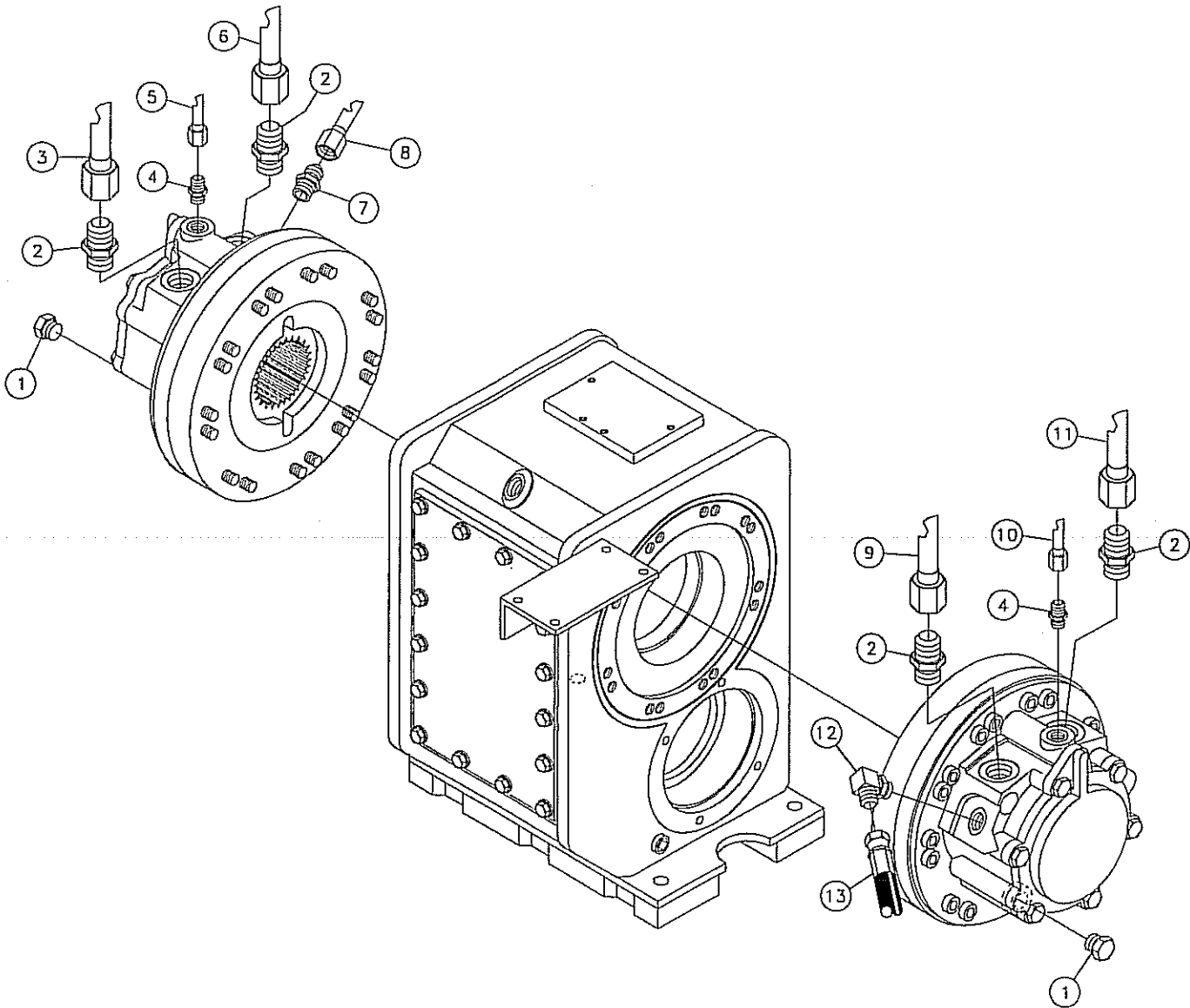
Figure 4-3



REF. NO.	PART NO.	DESCRIPTION	QTY.	REF. NO.	PART NO.	DESCRIPTION	QTY.
4-3	1	235779-001 GEARBOX - 3 SPEED (BREAKDOWN FIG. 4-11)	1	4-3	17	86104-257 CHAIN-LEAF BL866 257 PITCHES	1
4-3	2	235724-001 BOLT-1/2-13X3 GR8 HEX ZINC PLT	12	4-3	18	240818-001 BOLT CHAIN TIGHTENER	1
4-3	3	485-025 WASHER-1/2 FLAT-HARDENED-ZINC	12	4-3	19	386-024 3/4-16X2 1/2 HEXHD BOLT GR8	2
4-3	4	240864-001 BAR-WEAR (1/4 X 3 1/2-14.26)	1	4-3	20	235717-001 WASHER-3/4 SAE HARD ZINC PLTD	2
4-3	5	220965-001 SHIM	2	4-3	21	240840-001 BAR-BOLT ANCHOR	1
4-3	6	215344-001 SLIDE-GEARBOX	1	4-3	22	75391-001 NUT-1-UNF GR.8 HEX	1
4-3	7	240866-001 BAR-WEAR (1/4 X 2.50 -14.50)	1	4-3	23	225167-001 BAR-SLIDE	1
4-3	8	215348-001 SLIDE-GEARBOX	1	4-3	24	89349-001 PIN-ANCHOR BL866 3/8 D1AX3.44	1
4-3	9	240865-001 BAR-WEAR 91/4 X 2.75-14.26)	1	4-3	25	245009-001 CHAIN-LEAF BL866 165 PITCHES	1
4-3	10	220966-001 SHIM	2	4-3	26	98422-001 LINK-BL866 CONNECTOR	1
4-3	11	215343-001 SLIDE-GEARBOX	1	4-3	27	230813-001 SWIVEL-12M X 12F	1
4-3	12	240863-001 BAR-WEAR (1/4 X 1.75-14.50)	1	4-3	28	224904-007 REPAIR KIT (INC. O-RINGS & SEALS)	1
4-3	13	215347-001 SLIDE-GEARBOX	1	4-3	26	732-005 3/8" PIPE PLUG BLACK STEEL	1
4-3	14	510-005 COTTER PIN-3/32" X 3/4"	4	4-3	27	101522-001 BUMPER-RUBBER SELF ADHES.3/4OD	2
4-3	15	89371-001 PIN-BL866 ANCHOR 3/8"DIA X2.38	1	4-3	28	229131-001 NUT-1-14 UNF HEX JAM	1
4-3	16	98422-001 LINK-BL866 CONNECTOR	1				

ROTATION DRIVE MOTOR HYDRAULICS ASSEMBLY

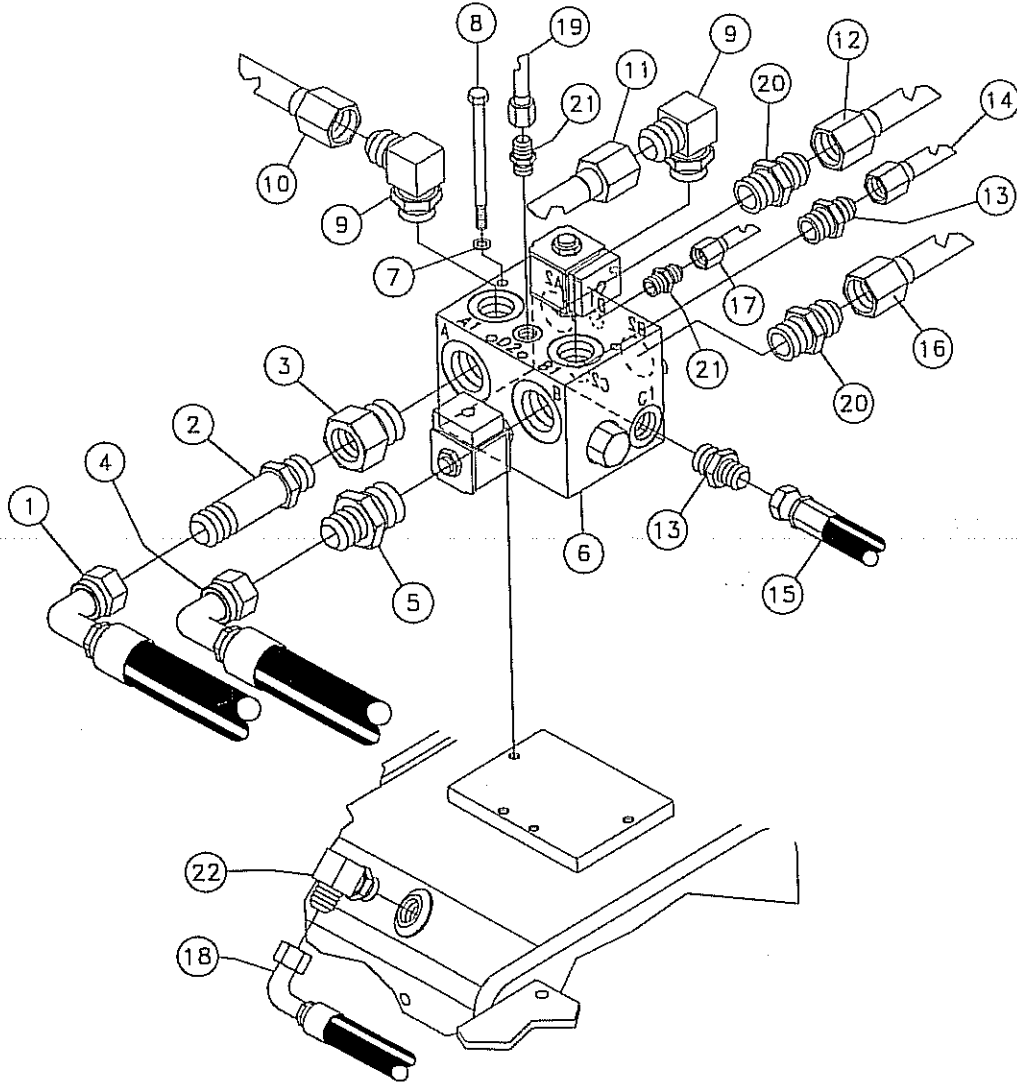
Figure 4-4



<u>REF. NO.</u>	<u>PART NO.</u>	<u>DESCRIPTION</u>	<u>QTY.</u>
4-4	1	56218-001 PLUG-#8M	2
4-4	2	53828-001 #12M O-RING-#12M JIC ST.	4
4-4	3	235794-001 TUBING-3/4 OD X16GA WALL-19.66	1
4-4	4	65565-001 FITTING-6M X 6M JIC ST.	2
4-4	5	235798-001 TUBING-3/8 OD X.049WALL-29.46	1
4-4	6	235792-001 TUBING-3/4OD X16GA WALL-13.68	1
4-4	7	53824-001 FITTING-#8M O-RING-#8M JIC ST.	1
4-4	8	235797-001 TUBING-1/2 OD X.049WALL-17.37	1
4-4	9	235793-001 TUBING-3/4 ODX16GA WALL-23.22	1
4-4	10	235799-001 TUBING-3/8 OD X.049WALL-21.32	1
4-4	11	235795-001 TUBING-3/4 ODX16GA WALL-15.04	1
4-4	12	53837-001 #8M O-RING-#8M JIC 90 DEG.	1
4-4	13	53844-061 HOSE-1/2X16 8FS JIC (100R1)	1

LOOP FLUSH VALVE ASSEMBLY

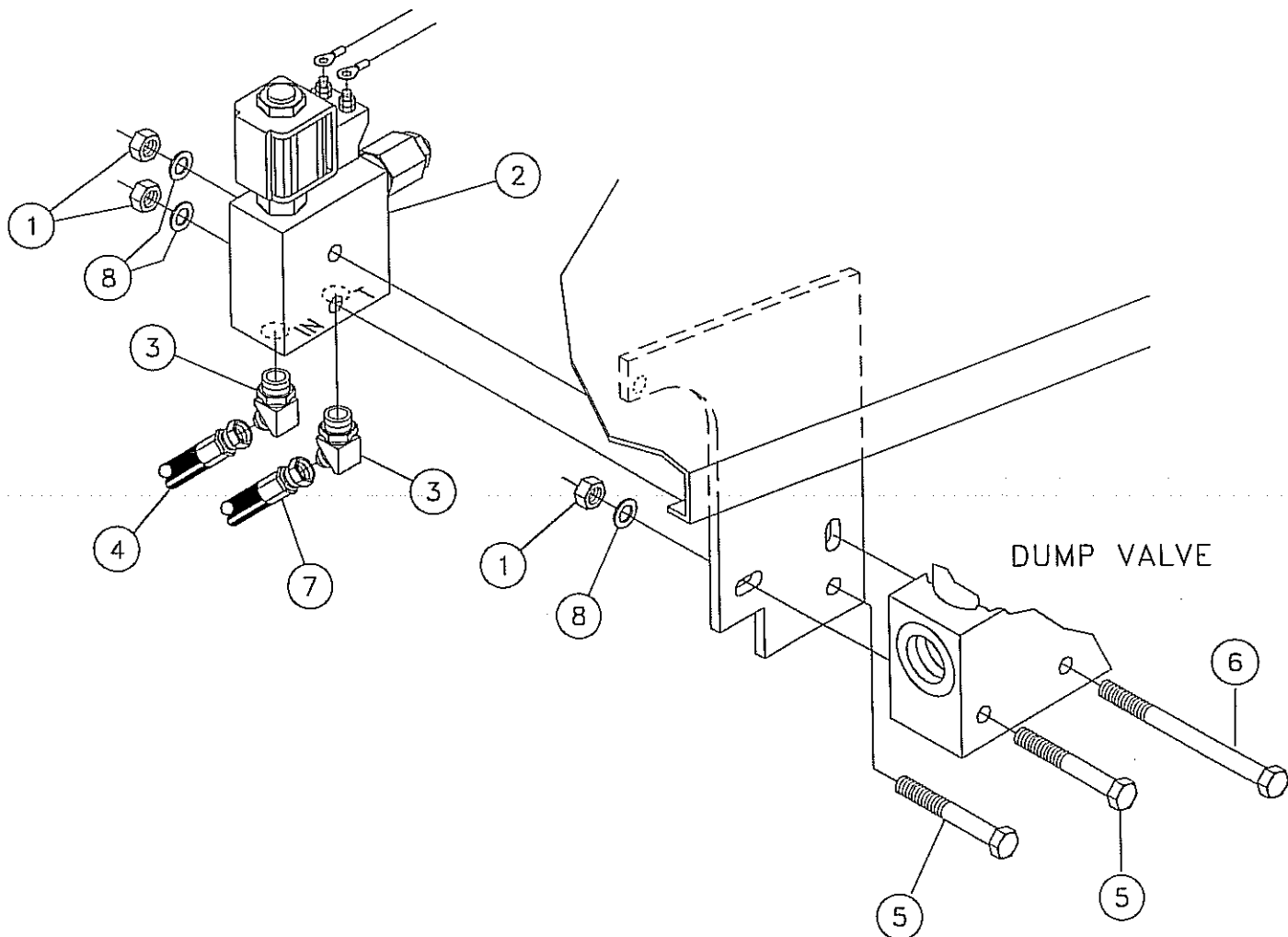
Figure 4-5



REF. NO.	PART NO.	DESCRIPTION	QTY.	REF. NO.	PART NO.	DESCRIPTION	QTY.
4-5	1	HOSE-3/4X126 12FSJICST/90D6000	1	4-5	12	TUBING-3/4 ODX16GA WALL-23.22	1
4-5	2	12M JICX12M LONG ST THRD ADPT	1	4-5	13	#10M O-RING-#8M JIC ST.	2
4-5	3	FITTING-12FX16M ADAPTER	1	4-5	14	TUBING-1/2 OD X.049WALL-17.37	1
4-5	4	HOSE-3/4X122 12FSJICST/90D6000	1	4-5	15	HOSE-1/2X16 8FS JIC (100R1)	1
4-5	5	FITTING-16M X 12M JIC STR.	1	4-5	16	TUBING-3/4 ODX16GA WALL-15.04	1
4-5	6	VALVE-3 SPEED LOOP FLUSH (BREAKDOWN FIG. 4-13)	1	4-5	17	TUBING-3/8 OD X.049WALL-29.46	1
4-5	7	WASHER-1/4 SAE HARD ZINC PLTD	4	4-5	18	HOSE-1/2X166 8FSJIC ST/90 3000	1
4-5	9	12M JICX12M ADJ. 90 DEG.ELBOW	3	4-5	19	TUBING-3/8 OD X.049WALL-21.32	1
4-5	10	TUBING-3/4OD X16GA WALL-13.68	1	4-5	20	#12M O-RING-#12M JIC ST.	2
4-5	11	TUBING-3/4 OD X16GA WALL-19.66	1	4-5	21	FITTING-6M X 6M JIC ST.	2
				4-5	22	#8M O-RING-#8M JIC 90 DEG.	1

PRESSURE LIMITER VALVE ASSEMBLY

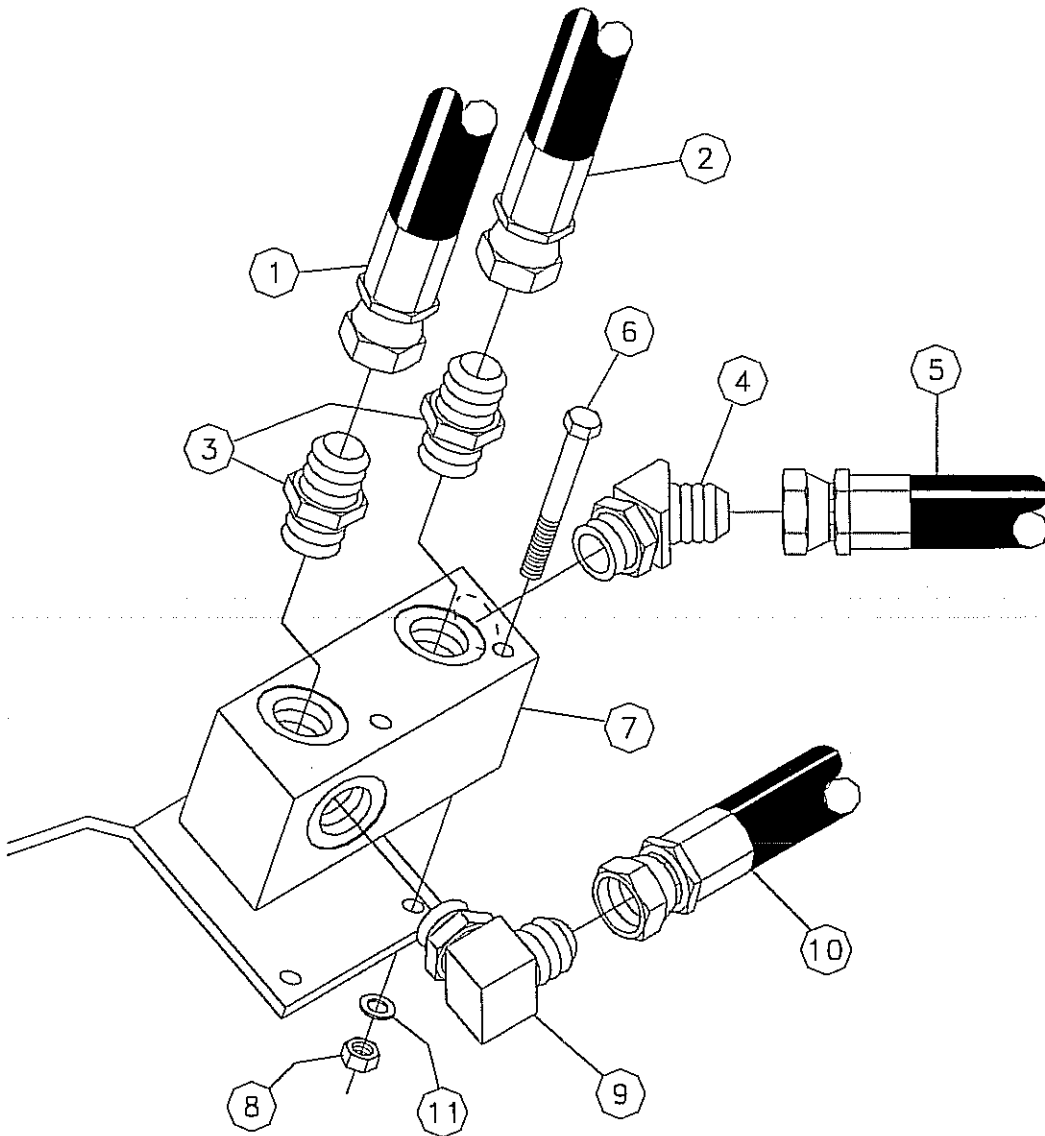
Figure 4-6



<u>REF. NO.</u>	<u>PART NO.</u>	<u>DESCRIPTION</u>	<u>QTY.</u>
4-6	1	NUT-3/8-16 GR8 ZINC PLTD	3
4-6	2	VALVE-REMOTE PRESSURE LIMITER (BREAKDOWN FIG. 4-12)	1
4-6	3	FITTING-6MX4M JIC 45DEG.ELBOW	2
4-6	4	HOSE-1/4X22 4FSJICST 6000 PSI	1
4-6	5	BOLT-1/2-13X2 3/4 GR8 ZINC PLTD	2
4-6	6	BOLT 3/8"-16 X 4 1/2" GR8 HEX	1
4-6	7	HOSE-1/4X24 4FS JIC (M2T)	1
4-6	8	WASHER-3/8 SAE HARD ZINC PLTD	3

HOSE JUNCTION BLOCK ASSEMBLY

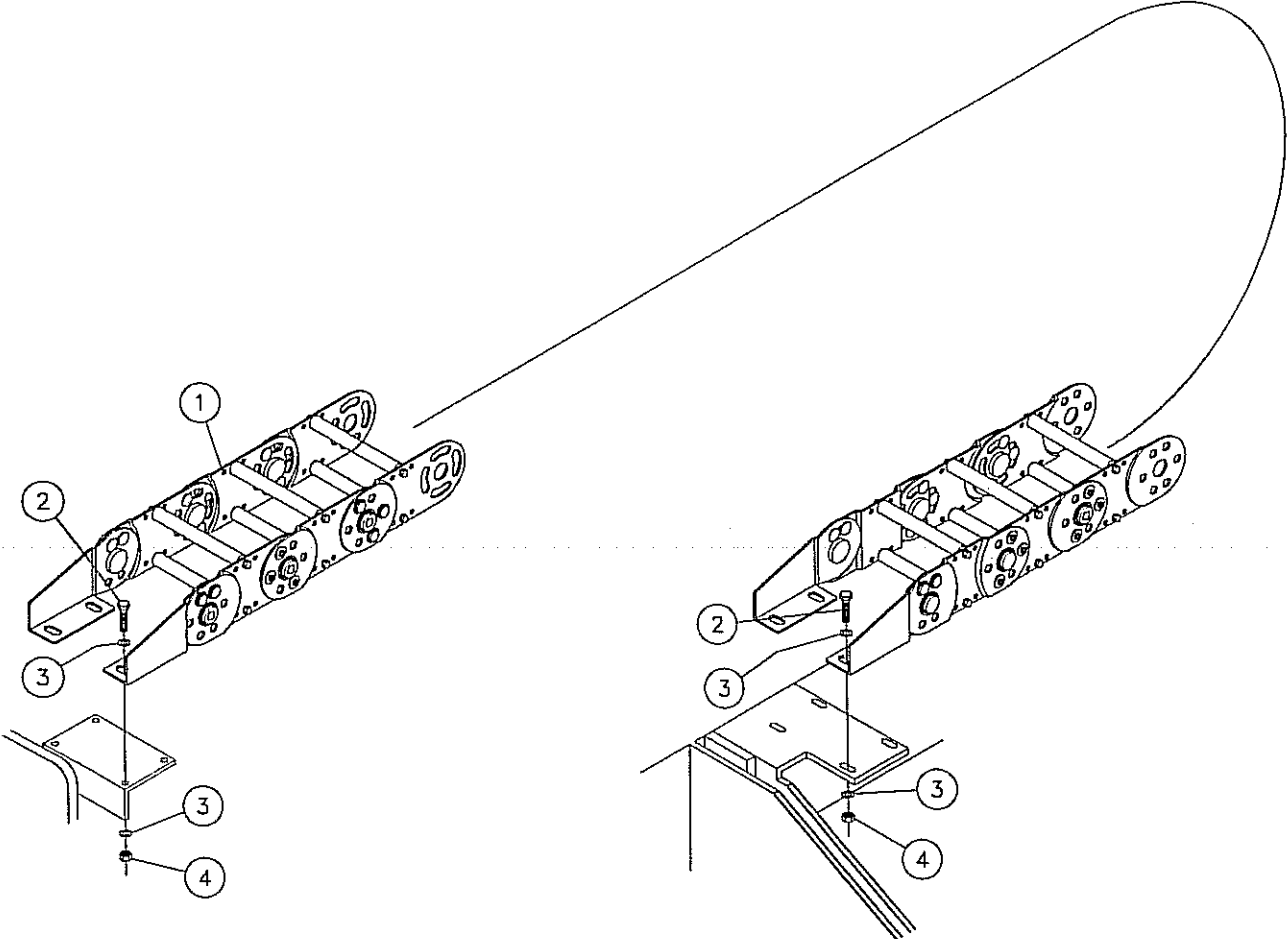
Figure 4-7



REF. NO.	PART NO.	DESCRIPTION	QTY.
4-7	1	53845-811 HOSE-3/4X126 12FSJICST/90D6000	1
4-7	2	53845-809 HOSE-3/4X122 12FSJICST/90D6000	1
4-7	3	53828-001 #12M O-RING-#12M JIC ST.	2
4-7	4	60718-001 12M JICX12M ADJ.45 DEG.EL	1
4-7	5	53845-749 HOSE-3/4X33 12FSJIC ST/45 6000	1
4-7	6	16114-034 BOLT-3/8-16X3 1/2 HEX HD. GR8	2
4-7	7	225193-001 BLOCK-HOSE JCT	1
4-7	8	235725-001 NUT-3/8-16 GR8 ZINC PLTD	2
4-7	9	59410-001 12M JICX12M ADJ. 90 DEG.ELBOW	1
4-7	10	53845-807 HOSE-3/4X38 12FSJICST/45D6000#	1
4-7	11	235713-001 WASHER-3/8 SAE HARD ZINC PLTD	2

HOSE CARRIER ASSEMBLY

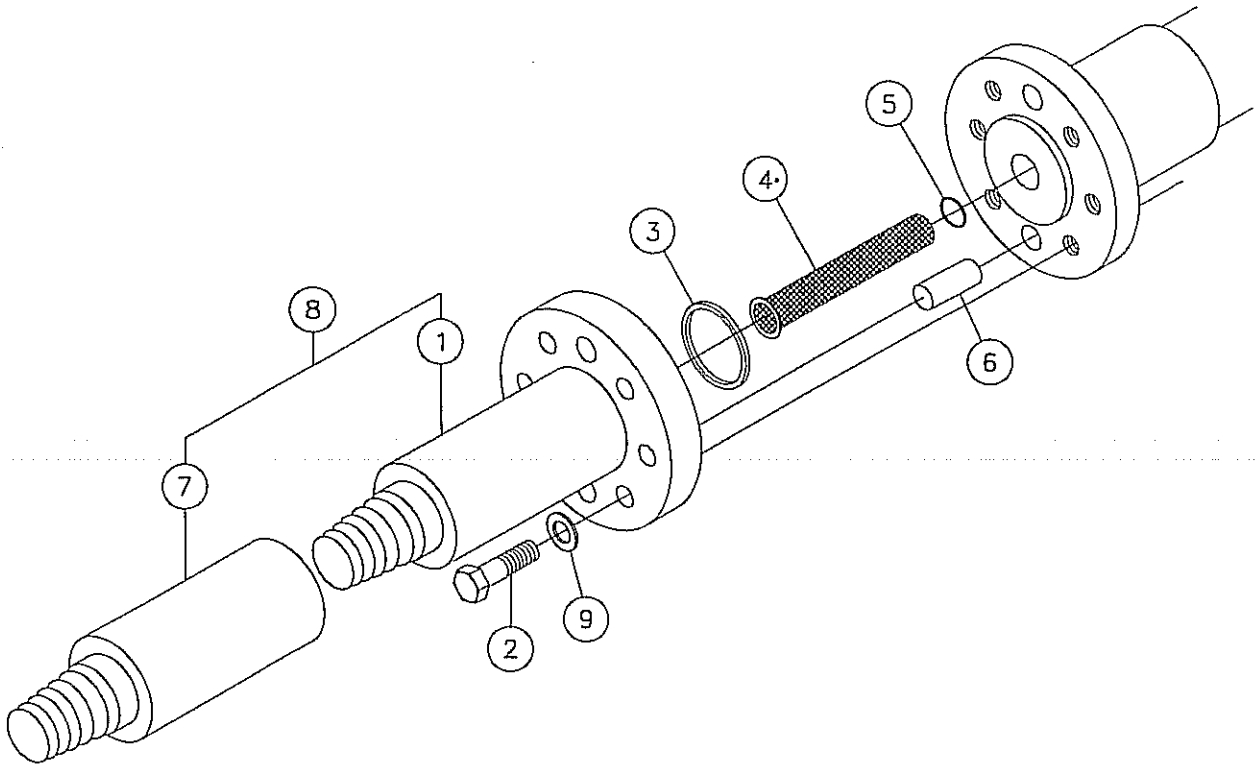
Figure 4-8



<u>REF. NO.</u>	<u>PART NO.</u>	<u>DESCRIPTION</u>	<u>QTY.</u>
4-8	1	225192-001 HOSE CARRIER-SM SERIES 108'	1
4-8	2	235723-001 BOLT-3/8-16X1 1/2 GR8 ZINC PLT	8
4-8	3	235713-001 WASHER-3/8 SAE HARD ZINC PLTD	16
4-8	4	235725-001 NUT-3/8-16 GR8 ZINC PLTD	8

DRIVE CHUCK ASSEMBLY

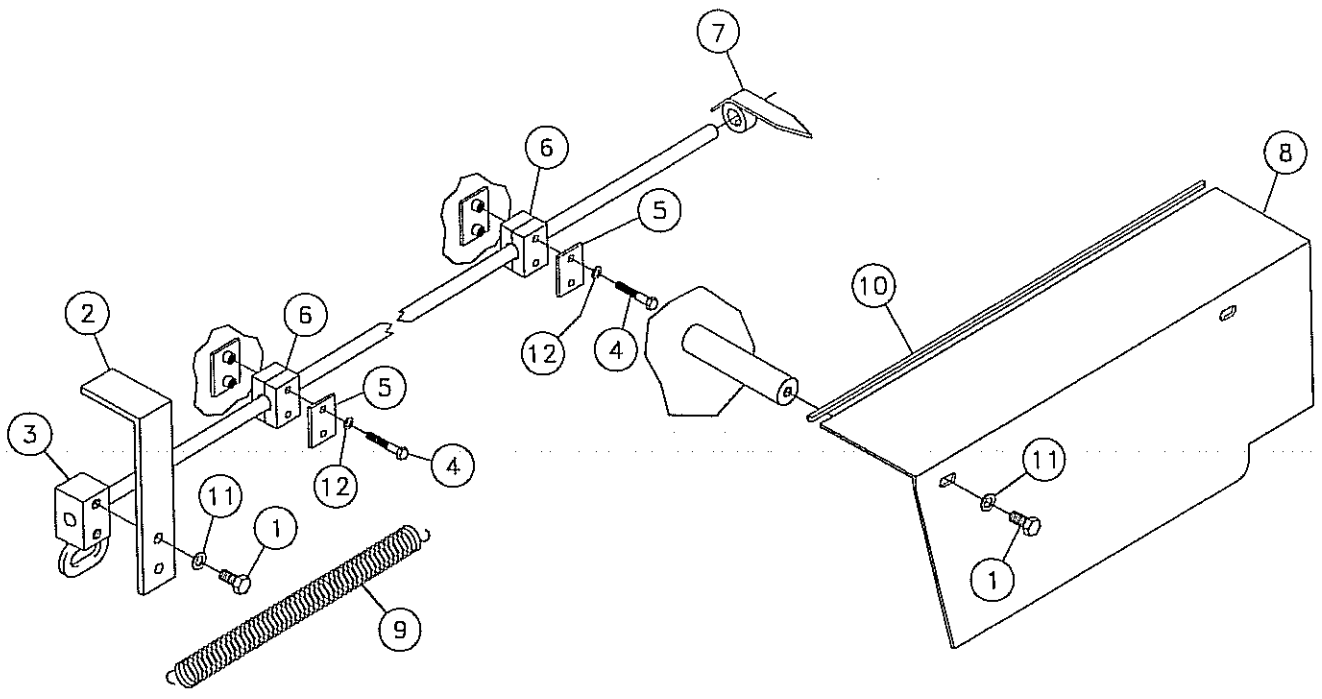
Figure 4-9



REF. NO.	PART NO.	DESCRIPTION	QTY.
4-9	1	230806-001 DRIVE CHUCK 2 5/8 OD	1
4-9	2	240334-001 BOLT-1/2-13X1 3/4 GR8 ZINC PLT	6
4-9	3	72897-001 O RING-SQ. #24 FLANGE	1
4-9	4	905011-001 SCREEN (DRILL FLUID)	1
		905012-001 SCREEN (WATER)	1
4-9	5	904508-001 WASHER-BLACK RUBBER	1
4-9	6	70096-001 PIN-DOWEL 5/8DIA.-1 1/2	2
4-9	7	249166-001 SUB-2 3/8 OD X 7.00	1
4-9	8	249169-001 DRIVE CHUCK-2 3/8 OD-7.00	1
4-9	9	485-025 WASHER-1/2 FLAT-HARDENED-ZINC	6

ROD POSITION INDICATOR ASSEMBLY

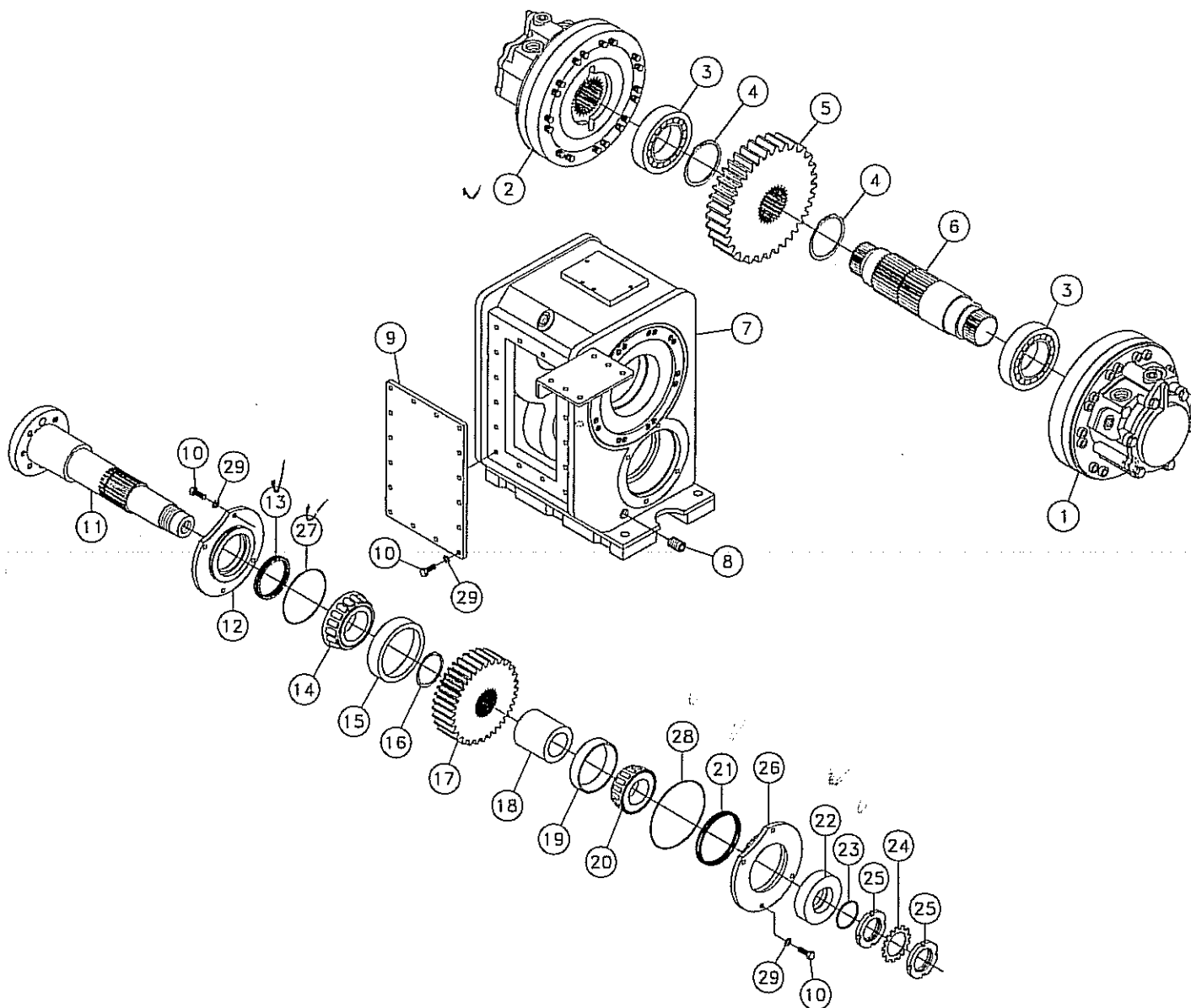
Figure 4-10



<u>REF. NO.</u>	<u>PART NO.</u>	<u>DESCRIPTION</u>	<u>QTY.</u>
4-10	1	235726-001 BOLT-3/8-16X3/4 GR8 HEX ZNCPLT	4
4-10	2	225200-001 BAR-MARKER	1
4-10	3	225194-001 BAR-MARKER	1
4-10	4	238210-001 BOLT-1/4-20X1 1/2 GR8 HEX ZYC	4
4-10	5	903135-005 PLATE-COVER COP-2	2
4-10	6	903135-003 CLAMP-HOSE 20675-PP	4
4-10	7	230839-001 POINTER	1
4-10	8	235981-001 COVER-VALVE	1
4-10	9	1789-001 SPRING-1 1/8ODX15/16ID X15 EXT	1
4-10	10	212522-001 TRIM-1/4 EDGE (SPECIFY LENGTH)	A/R
4-10	11	235713-001 WASHER-3/8 SAE HARD ZINC PLTD	4
4-10	12	235716-001 WASHER-1/4 SAE HARD ZINC PLTD	4

ROTATION GEARBOX COMPONENTS

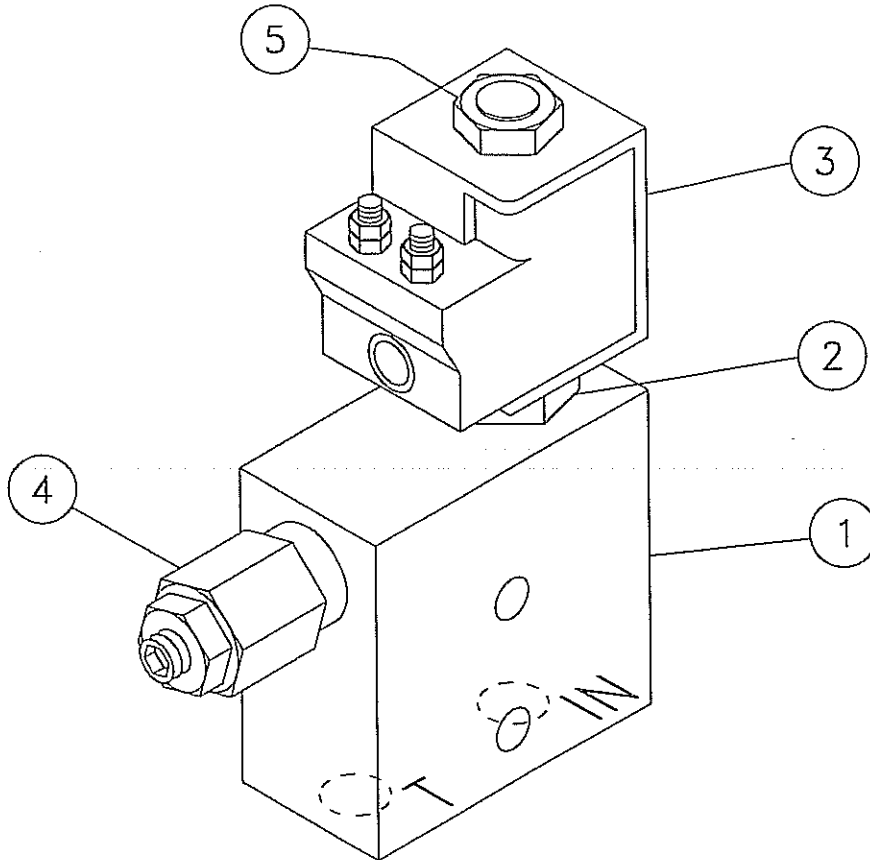
Figure 4-11



<u>REF. NO.</u>	<u>PART NO.</u>	<u>DESCRIPTION</u>	<u>QTY.</u>	<u>REF. NO.</u>	<u>PART NO.</u>	<u>DESCRIPTION</u>	<u>QTY.</u>
4-11	1	235790-001 MOTOR-HYD. (BREAKDOWN FIG. 4-15)	1	4-11	17	220489-001 GEAR-26 TOOTH	1
4-11	2	235791-001 MOTOR-HYD. (BREAKDOWN FIG. 4-16)	1	4-11	18	228223-001 TUBE-GEAR SPACER	1
4-11	3	1706-007 BRG.-22215 LB/C3 75MM SPH.ROL.	2	4-11	19	1715-085 CUP-BEARING	1
4-11	4	224896-325 SNAP RING-3 1/4" EXTERNAL	2	4-11	20	1716-099 CONE-2 1/8" BRG.	1
4-11	5	220488-001 GEAR-37 TOOTH	1	4-11	21	235787-001 SEAL-4" HIGH PRESSURE	1
4-11	6	220493-001 SHAFT-TOP MOTOR	1	4-11	22	215350-001 SLEEVE-SEAL	1
4-11	7	240850-001 HOUSING-GEARBOX D24X40A	1	4-11	23	214202-001 O-RING	1
4-11	8	735-003 1/2 COUNTERSUNK PIPE PLUG	1	4-11	24	94594-007 LOCKWASHER-2.844DIA.OVER TANGS	1
4-11	9	220487-001 PLATE-LID	1	4-11	25	214200-001 LOCKNUT-SLOTTED 2"-18 NF	2
4-11	10	235727-001 BOLT-3/8-16X1 GR8 HEX ZINC PLT	24	4-11	26	228131-001 GLAND-REAR SEAL	1
4-11	11	220492-001 SHAFT-ROTATION	1	4-11	27	228181-001 O-RING	1
4-11	12	228158-001 GLAND-FRONT SEAL	1	4-11	28	228180-001 O-RING	1
4-11	13	235788-001 SEAL-3 1/8" HIGH PRESSURE	1	4-11	29	235713-001 WASHER-3/8 SAE HARD ZINC PLTD	24
4-11	14	4771-061 BRG. CONE	1				
4-11	15	1715-013 TIMKEN CUP-2 1/2"	1				
4-11	16	224896-250 SNAP RING-2 1/2" EXTERNAL	1				
					240816-001	GEARBOX-D24X40A ROTATION (COMPLETE) (INC. ALL ITEMS IN FIGURE 4-11)	

PRESSURE LIMITER VALVE COMPONENTS

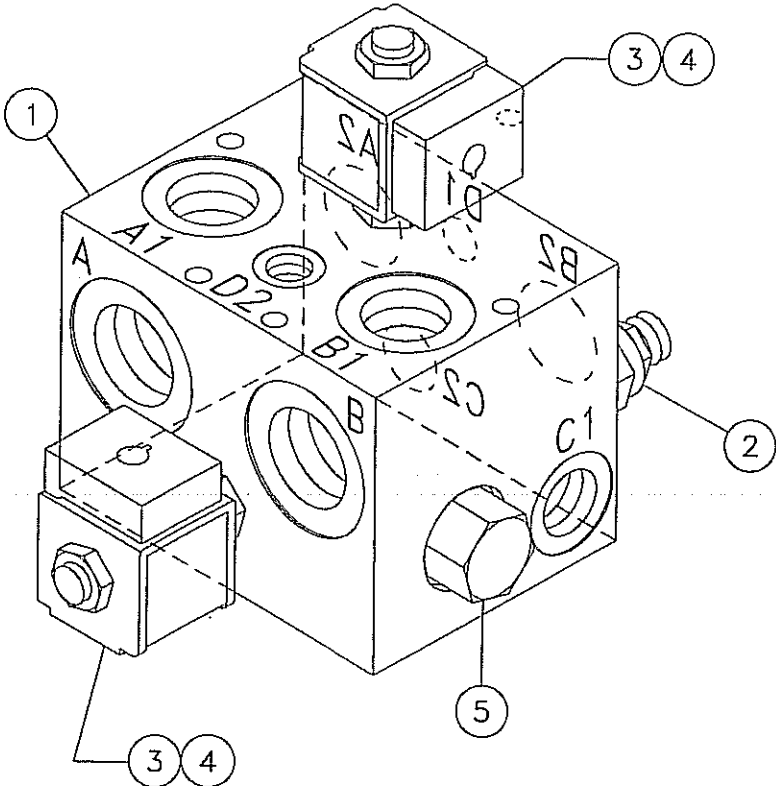
Figure 4-12



<u>REF. NO.</u>	<u>PART NO.</u>	<u>DESCRIPTION</u>	<u>QTY.</u>
4-12	1	228114-003 BODY-MANIFOLD	1
4-12	2	228114-005 CARTRIDGE	1
		228114-007 SEAL KIT	
4-12	3	228114-009 COIL	1
4-12	4	228114-011 VALVE RELIEF	1
		85647-025 REPAIR KIT	
4-12	5	3888-001 NUT-1/2 N.F. HEX JAM	1
	228114-001	VALVE-REMOTE PRESSURE LIMITER (INC. REF. 1-4)	

LOOP FLUSH VALVE COMPONENTS

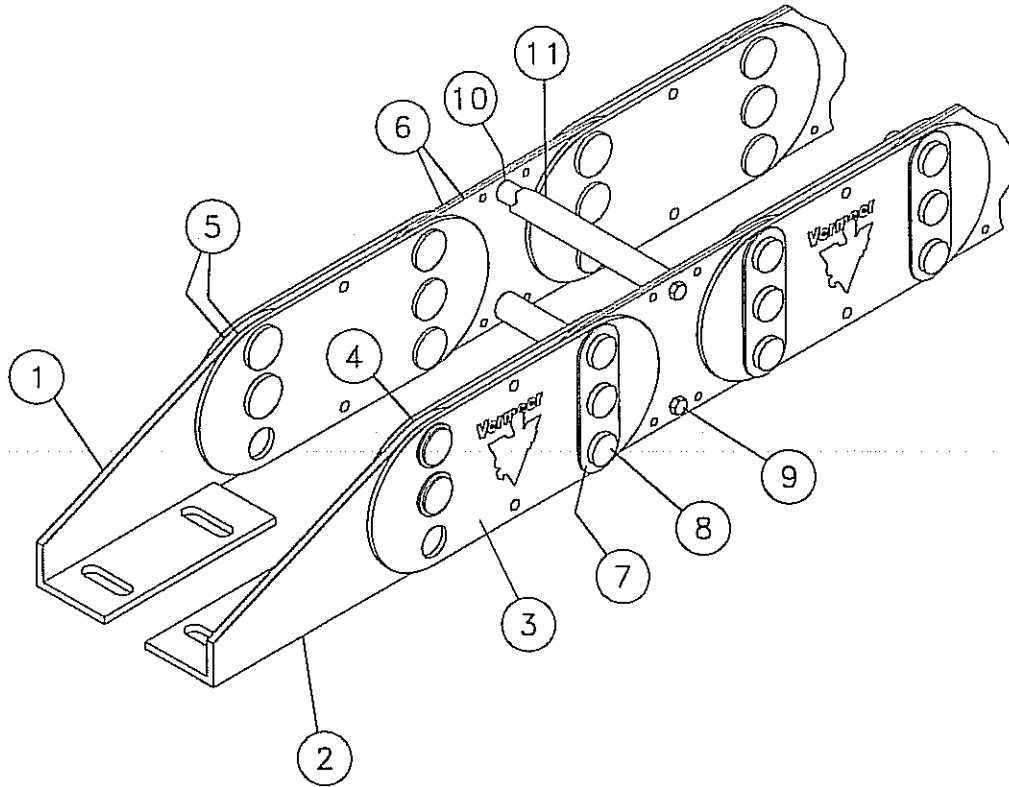
Figure 4-13



<u>REF. NO.</u>	<u>PART NO.</u>	<u>DESCRIPTION</u>	<u>QTY.</u>
4-13	1	228132-003 VALVE BODY	1
4-13	2	224476-007 RELIEF VALVE	1
		224476-009 SEAL KIT	
4-13	3	224476-005 CARTRIDGE-VALVE	2
		207418-009 REPAIR KIT-SOLENOID VALVE	
4-13	4	207418-005 SOLENOID VALVE COIL-2 POST	2
4-13	5	901562-011 VALVE-SHUTTLE	1
		204954-001 REPAIR KIT-SHUTTLE VALVE	
	228132-001	VALVE-3 SPEED LOOP FLUSH (INC. ALL ITEMS IN THIS FIGURE)	

HOSE CARRIER COMPONENTS

Figure 4-14

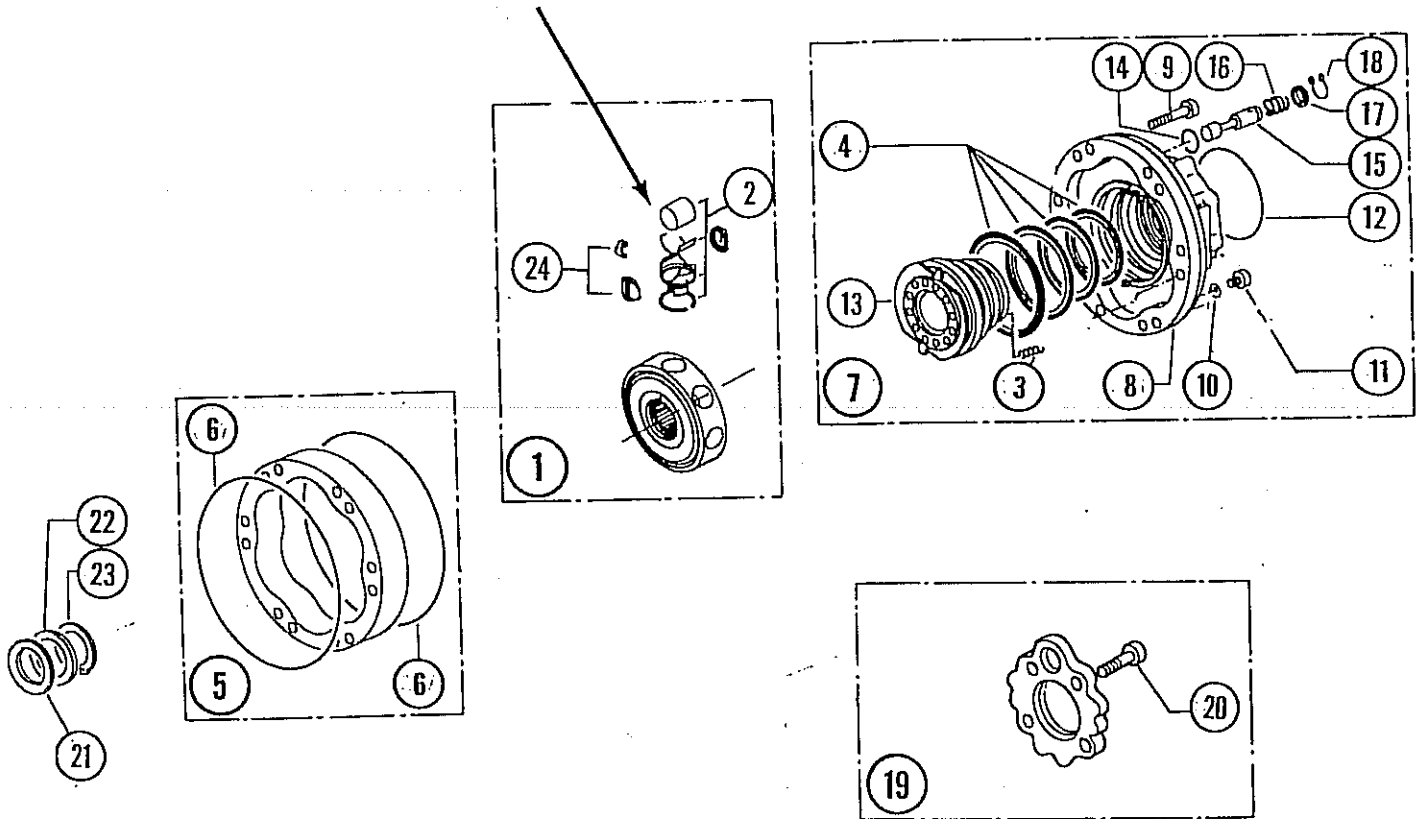


REF. NO.	PART NO.	DESCRIPTION	QTY.
4-14	1	234256-003 PT45E MOUNTING BRACKET ASSY (L	2
4-14	2	234256-005 PT45E MOUNTING BRACKET ASSY(R)	2
4-14	3	234256-007 PT45E OUTER LINK W/VERMEERLOGO	22
4-14	4	234256-009 PT45E OUTER LINK	22
4-14	5	234256-011 PT45E ANTI-FRICTION DISC	90
4-14	6	225192-003 PT45E INNER LINK 5.709R	44
4-14	7	234256-015 PT45E CIRCULAR PUSH-ON	42
4-14	8	234256-017 PT45E HINGE PIN-PUCH ON FASTNR	126
4-14	9	234256-019 BOLT-WHIZ LOCK .250-20 X .620	44
4-14	10	225192-005 PT35E/45E CARRIER ROD(5.100)	22
4-14	11	225192-007 PT35E/45E NYLON SLEEVE(4.900)	22
	225192-001	HOSE CARRIER (COMPLETE) (INC. REF. 1-11)	

HYDRAULIC MOTOR COMPONENTS

Figure 4-15

THERE IS THE POSSIBILITY OF HAVING TWO SIZES OF PISTONS IN A MOTOR. NORMALLY CL "0" IS USED. THERE IS NO MARKING ON THE PISTON OR CYLINDER BLOCK. THERE IS THE POSSIBILITY OF HAVING CL "1" WHICH IS 1mm OVER SIZE. THERE WILL BE A "1" STAMPED ON THE PISTON AND A CORRESPONDING "1" STAMPED ON THE CYLINDER BLOCK IN THE AREA OF THE EFFECTED CYLINDER BORE.

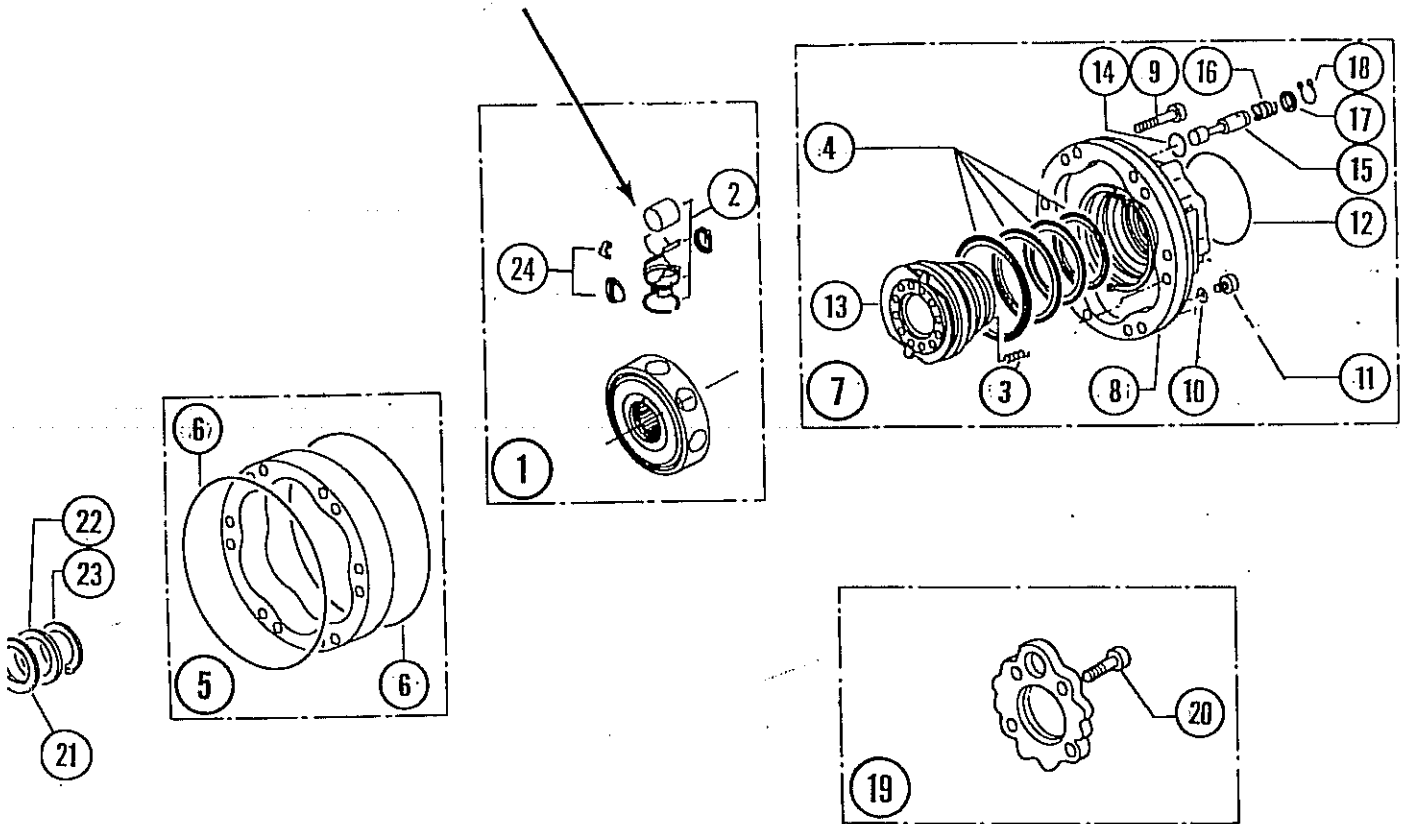


REF. NO.	PART NO.	DESCRIPTION	QTY.	REF. NO.	PART NO.	DESCRIPTION	QTY.		
4-15	1	224897-003	CYLINDER BLOCK	1	4-15	14	235790-011	O-RING	1
4-15	2	208148-001	PISTON CL.1	A/R	4-15	15	235790-013	VALVE SPOOL	1
		224897-005	PISTON CL "0"	A/R	4-15	16	235790-015	SPRING	1
4-15	3	84550-029	SPRING	8	4-15	17	235790-017	WASHER	1
4-15	4	208157-001	VALVE SEAL RING KIT	1	4-15	18	235790-019	SNAP RING	1
4-15	5	208151-001	CAM RING	1	4-15	19	235790-021	BACK PLATE	1
4-15	6	208152-001	O-RING	2	4-15	20	235790-023	BOLT	6
4-15	7	235790-003	VALVING COVER ASSEMBLY	1	4-15	21	208163-001	SHIM	1
4-15	8	235790-005	VALVING COVER	1	4-15	22	208164-001	WASHER	1
4-15	9	235790-007	SCREW	16	4-15	23	224897-015	SNAP RING	1
4-15	10	64078-025	WASHER	2	4-15	24	224897-017	REPAIR KIT-PISTON	1
4-15	11	64078-027	SCREW-BLEEDING	2					
4-15	12	83651-025	O-RING-2.62X145.72	1			235790-001	MOTOR-HYD (COMPLETE)	
4-15	13	235790-009	VALVING	1				(INC. ALL OF FIGURE 4-15)	

HYDRAULIC MOTOR COMPONENTS

Figure 4-16

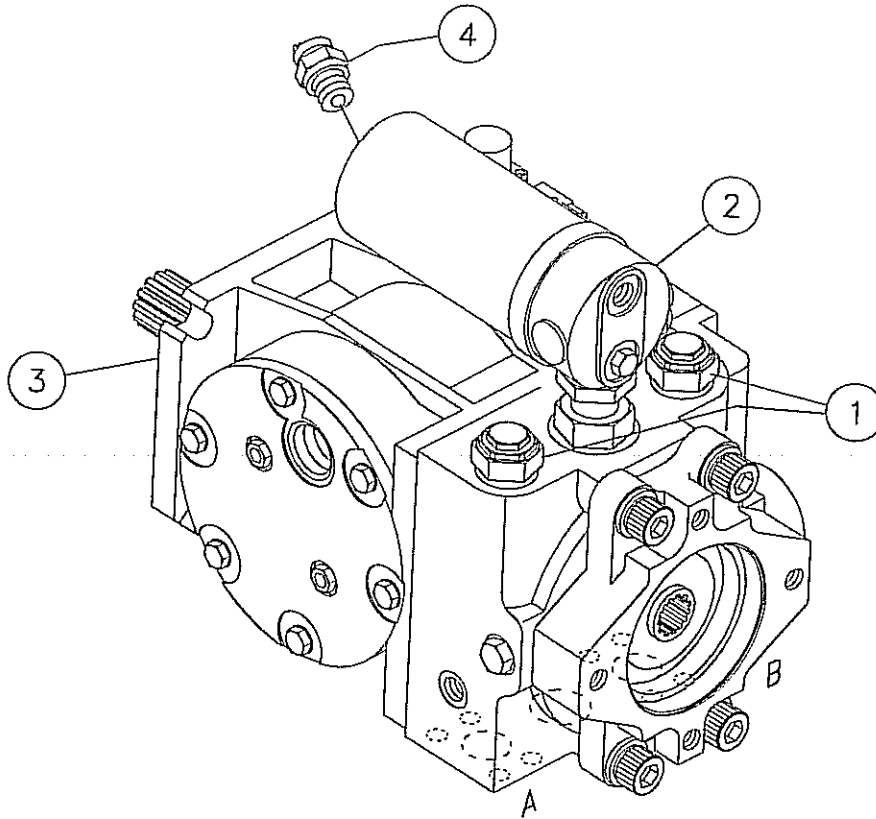
THERE IS THE POSSIBILITY OF HAVING TWO SIZES OF PISTONS IN A MOTOR. NORMALLY CL "0" IS USED. THERE IS NO MARKING ON THE PISTON OR CYLINDER BLOCK. THERE IS THE POSSIBILITY OF HAVING CL "1" WHICH IS 1mm OVER SIZE. THERE WILL BE A "1" STAMPED ON THE PISTON AND A CORRESPONDING "1" STAMPED ON THE CYLINDER BLOCK IN THE AREA OF THE EFFECTED CYLINDER BORE.



REF. NO.	PART NO.	DESCRIPTION	QTY.	REF. NO.	PART NO.	DESCRIPTION	QTY.		
4-16	1	224897-003	CYLINDER BLOCK	1	4-16	14	235790-011	O-RING	1
4-16	2	208148-001	PISTON CL.1	A/R	4-16	15	235790-013	VALVE SPOOL	1
		224897-005	PISTON CL "0"	A/R	4-16	16	235790-015	SPRING	1
4-16	3	84550-029	SPRING	8	4-16	17	235790-017	WASHER	1
4-16	4	208157-001	VALVE SEAL RING KIT	1	4-16	18	235790-019	SNAP RING	1
4-16	5	208151-001	CAM RING	1	4-16	19	235790-021	BACK PLATE	1
4-16	6	208152-001	O-RING	2	4-16	20	235790-023	BOLT	6
4-16	7	235790-003	VALVING COVER ASSEMBLY	1	4-16	21	208163-001	SHIM	1
4-16	8	235790-005	VALVING COVER	1	4-16	22	208164-001	WASHER	1
4-16	9	235790-007	SCREW	16	4-16	23	224897-015	SNAP RING	1
4-16	10	64078-025	WASHER	2	4-16	24	224897-017	REPAIR KIT-PISTON	1
4-16	11	64078-027	SCREW-BLEEDING	2					
4-16	12	83651-025	O-RING-2.62X145.72	1			235791-001	MOTOR-HYD (COMPLETE)	
4-16	13	235790-009	VALVING	1				(INC. ALL OF FIGURE 4-16)	

HYDRAULIC PUMP COMPONENTS

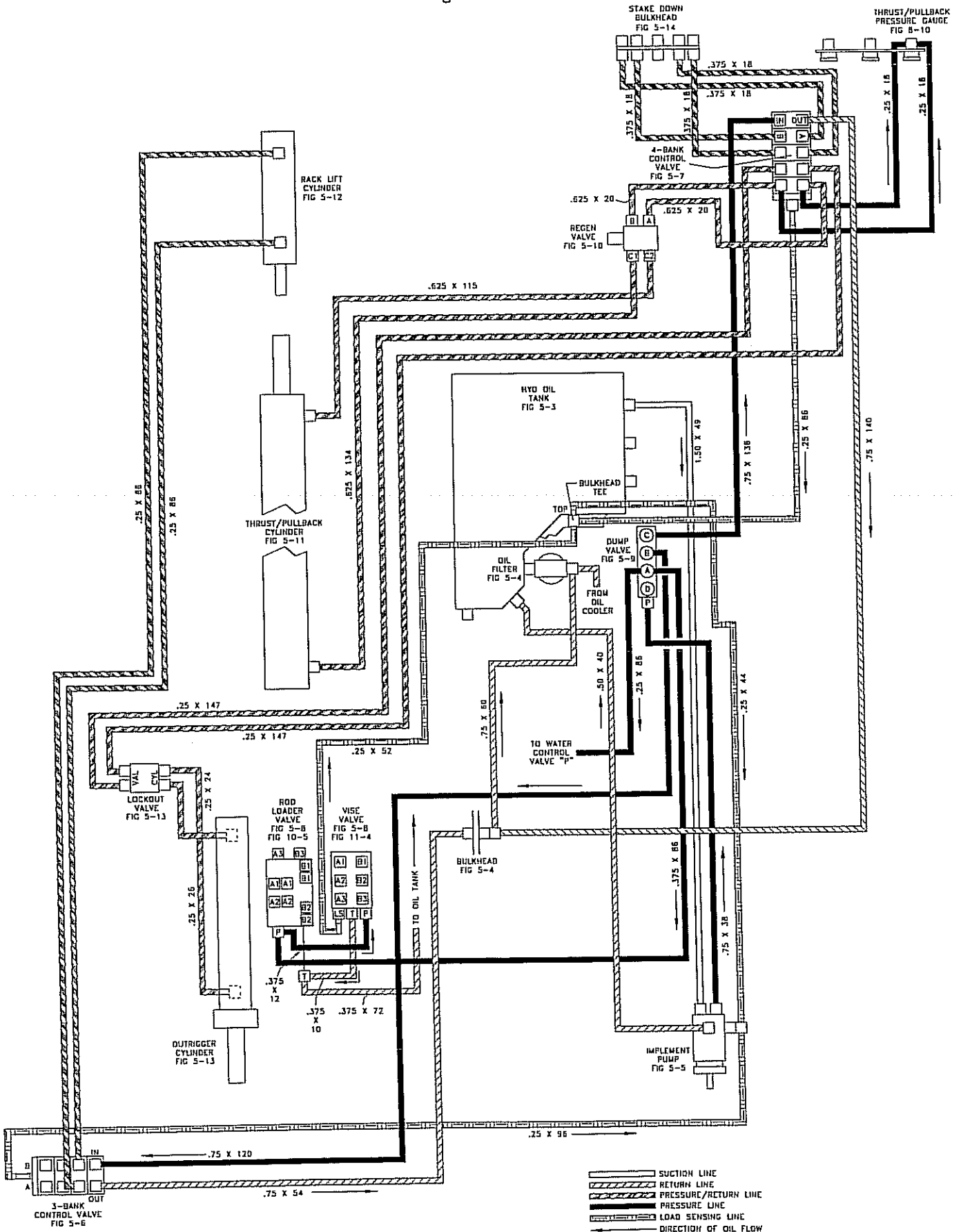
Figure 4-17



<u>REF. NO.</u>	<u>PART NO.</u>	<u>DESCRIPTION</u>	<u>QTY.</u>
4-17	1	+85642-007 VALVE-MULTI-FUNCTION	2
		85642-009 O-RING (OUTER)	1 per valve
		85642-011 O-RING (INNER)	1 per valve
4-17	2	91019-003 FILTRATION MANIFOLD KIT	1
		81902-001 FILTER-OIL	1
4-17	3	85642-079 CARRIER-SEAL	1
		85642-081 SEAL LIP	1
		85642-083 O-RING	1
4-17	4	225187-003 NEUTRAL START SWITCH	1
	228116-001	PUMP ASSY.-HYDRAULIC	
	+	SPECIFY PRESSURE SETTING (PRESSURE SETTING IS 6090 PSI (420 BAR))	

HYDRAULIC COMPONENTS LOCATION DIAGRAM - IMPLEMENT DRIVE

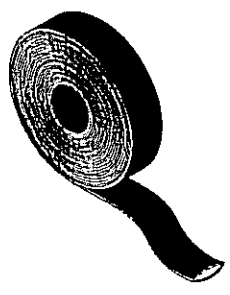
Figure 5-1



MISCELLANEOUS SUPPLIES

Figure 5-2

CORDURA SLEEVES



INSIDE DIAMETER	PART NUMBER
.71	83726-001
1.22	66094-001
1.42	67264-001
1.59	69129-001
1.81	53840-001
2.37	53841-001

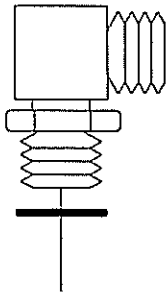
NOTE: SPECIFY LENGTH WHEN ORDERING

TIE STRAPS



LENGTH	PART NUMBER
4 IN.	78657-001
8 IN.	59634-001
15 IN.	58151-001

O-RINGS

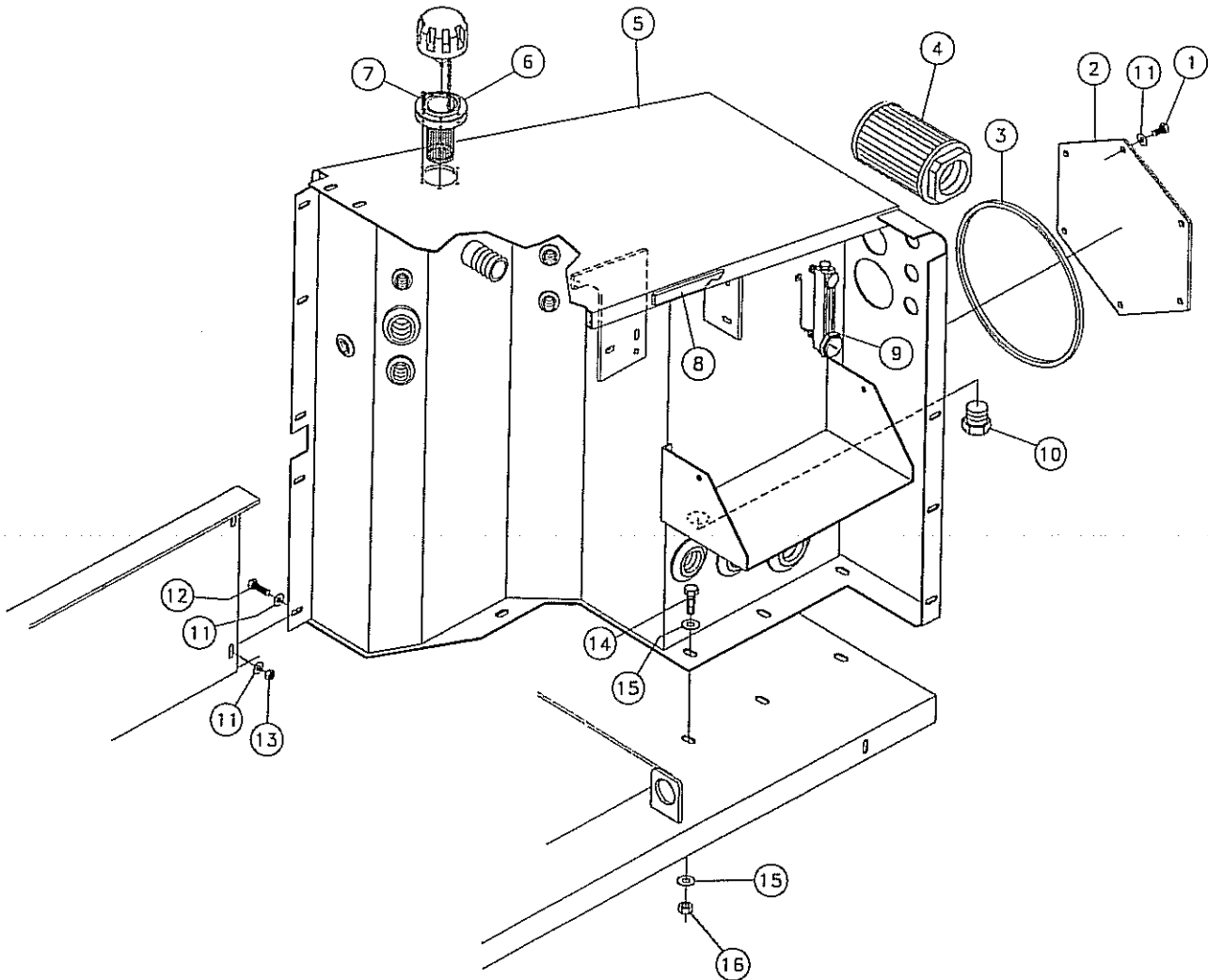


SAE FITTING SIZE	REPLACEMENT O-RING PART NO.
4M	78185-027
5M	53649-081
6M	59088-057
8M	59088-053
10M	792-029
12M	85705-035
14M	64082-019
16M	81580-001
20M	93316-001

NOTE: O-RINGS LISTED ARE 90 DURAMETER

HYDRAULIC OIL TANK ASSEMBLY

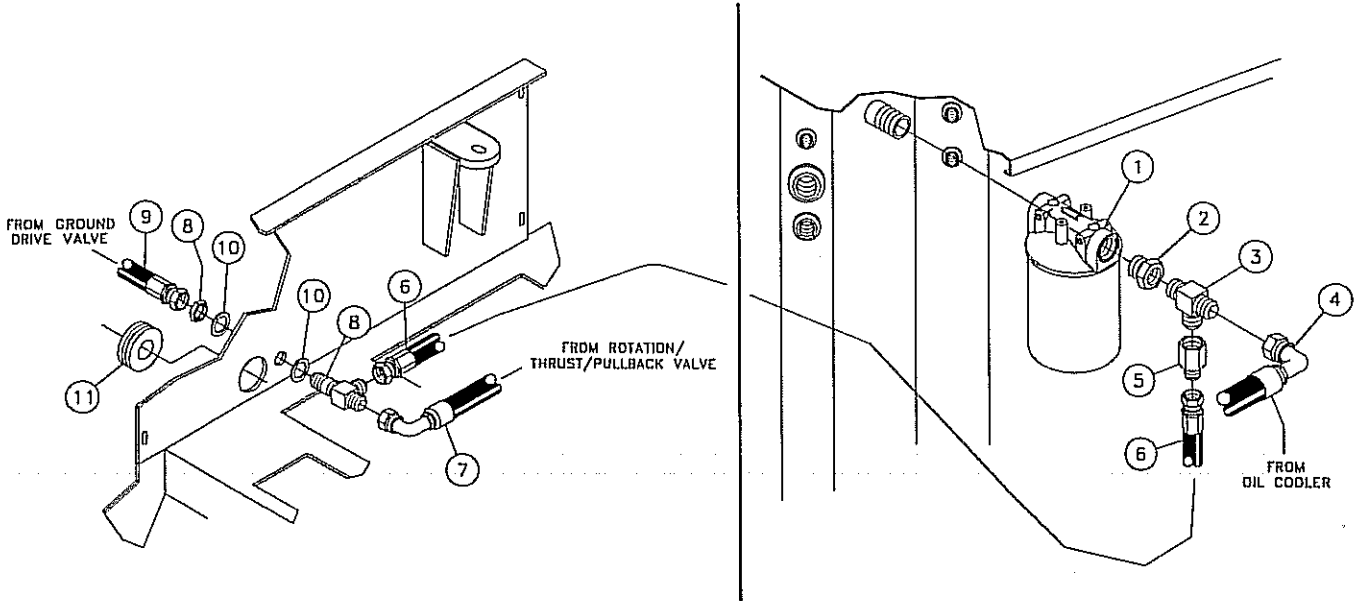
Figure 5-3



REF. NO.	PART NO.	DESCRIPTION	QTY.	REF. NO.	PART NO.	DESCRIPTION	QTY.		
5-3	1	235726-001	BOLT-3/8-16X3/4 GR8 HEX ZNCPLT	6	5-3	9	81590-001	GAUGE-SIGHT	1
5-3	2	96291-001	PLATE-CLEANOUT PORT	1	5-3	10	81214-001	PLUG- 16M	1
5-3	3	78544-001	O-RING AS-378 B46	1	5-3	11	235713-001	WASHER-3/8 SAE HARD ZINC PLTD	10
5-3	4	224944-001	STRAINER-SUCTION	1	5-3	12	235736-001	BOLT-3/8-16X1 1/4 ZINC PLTD	2
5-3	5	238594-001	TANK-HYDRAULIC OIL	1	5-3	13	235725-001	NUT-3/8-16 GR8 ZINC PLTD	2
5-3	6	235808-001	CAP-FILLER/BREATHER W/O RELIEF	1	5-3	14	235721-001	BOLT-1/2-13X1 1/2 GR8 ZINC PLT	6
5-3	7	1802-006	BOLT-10-24 X 3/4 RND HD STOVE	6	5-3	15	485-025	WASHER-1/2 FLAT-HARDENED-ZINC	12
5-3		480-001	WASHER-3/16 S/T LOCK	6	5-3	16	235731-001	NUT-1/2-13 GR8 ZINC PLTD	6
5-3	8	245059-001	TAPE-URETHANE .75"WX 36 YD ROL (SPECIFY LENGTH)	A/R					

HYDRAULIC OIL FILTER ASSEMBLY

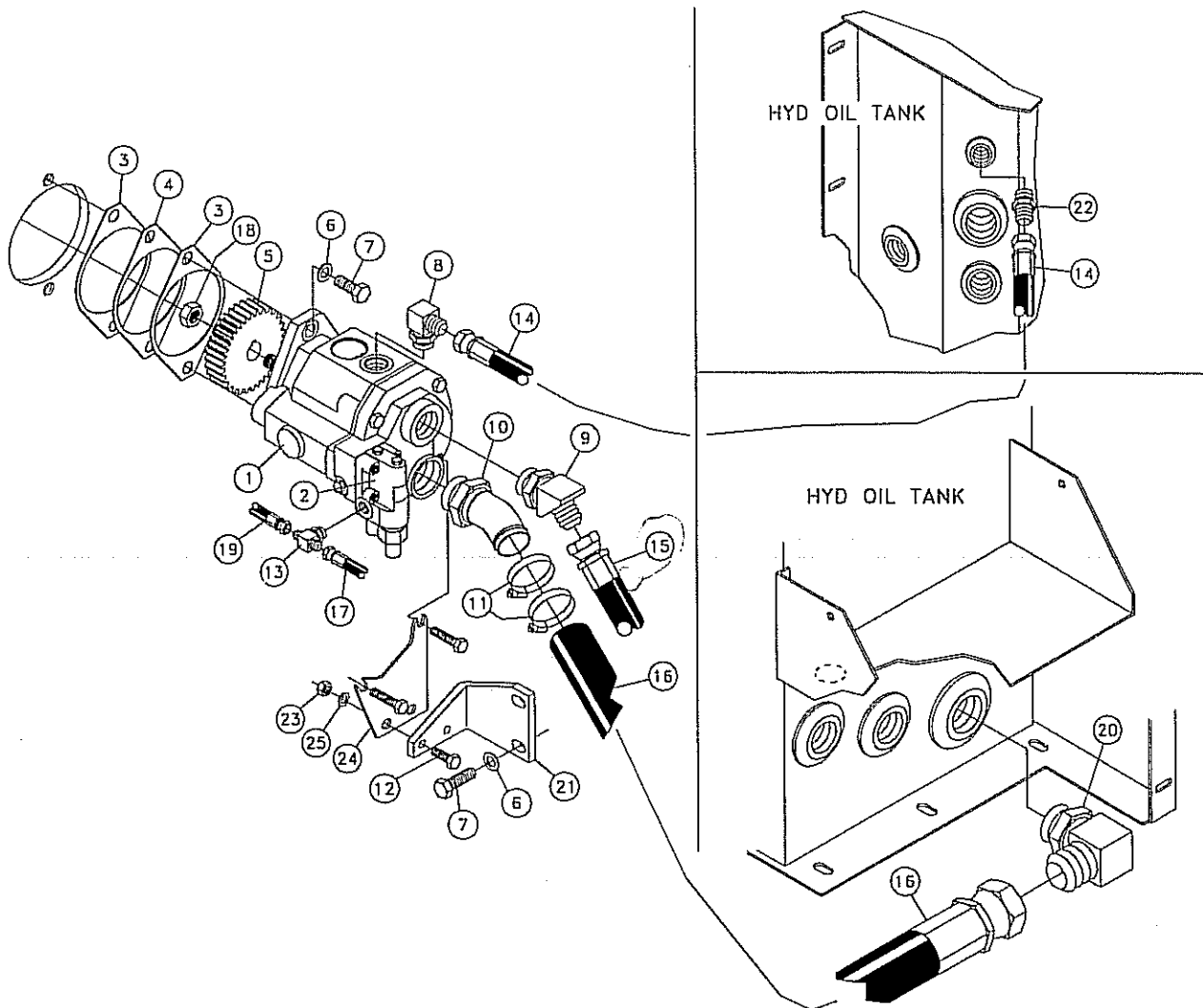
Figure 5-4



REF. NO.	PART NO.	DESCRIPTION	QTY.
5-4	1	16284-001 FILTER-W/BYPASS	1
		2708-001 FILTER	1
5-4	2	730-019 1 1/4" X 1" HEX BUSHING STEEL	1
5-4	3	70030-001 16M JIC BCHX16M JIC X 1"M TEE	1
5-4	4	53846-249 HOSE-1X56 16FSJIC/16FSJIC 90	1
5-4	5	70028-001 FITTING-16F JICX 12M JIC	1
5-4	6	53845-111 3/4X60 12FS JIC(G2AT-HMP)100R2	1
5-4	7	53845-813 HOSE-3/4X140 12FSJICST/90D3000	1
5-4	8	96075-001 FITTING-12MJIC BLKHD RUN TEE	1
5-4	9	53845-171 HOSE-3/4X54 12FS JIC 3000 PSI	1
5-4	10	13884-001 WASHER-1"2PIECE SELF-LOCK LOCK	1
5-4	11	1865-001 GROMMET - 1/4 X 2 1/2 (YELLOW)	1

IMPLEMENT PUMP ASSEMBLY

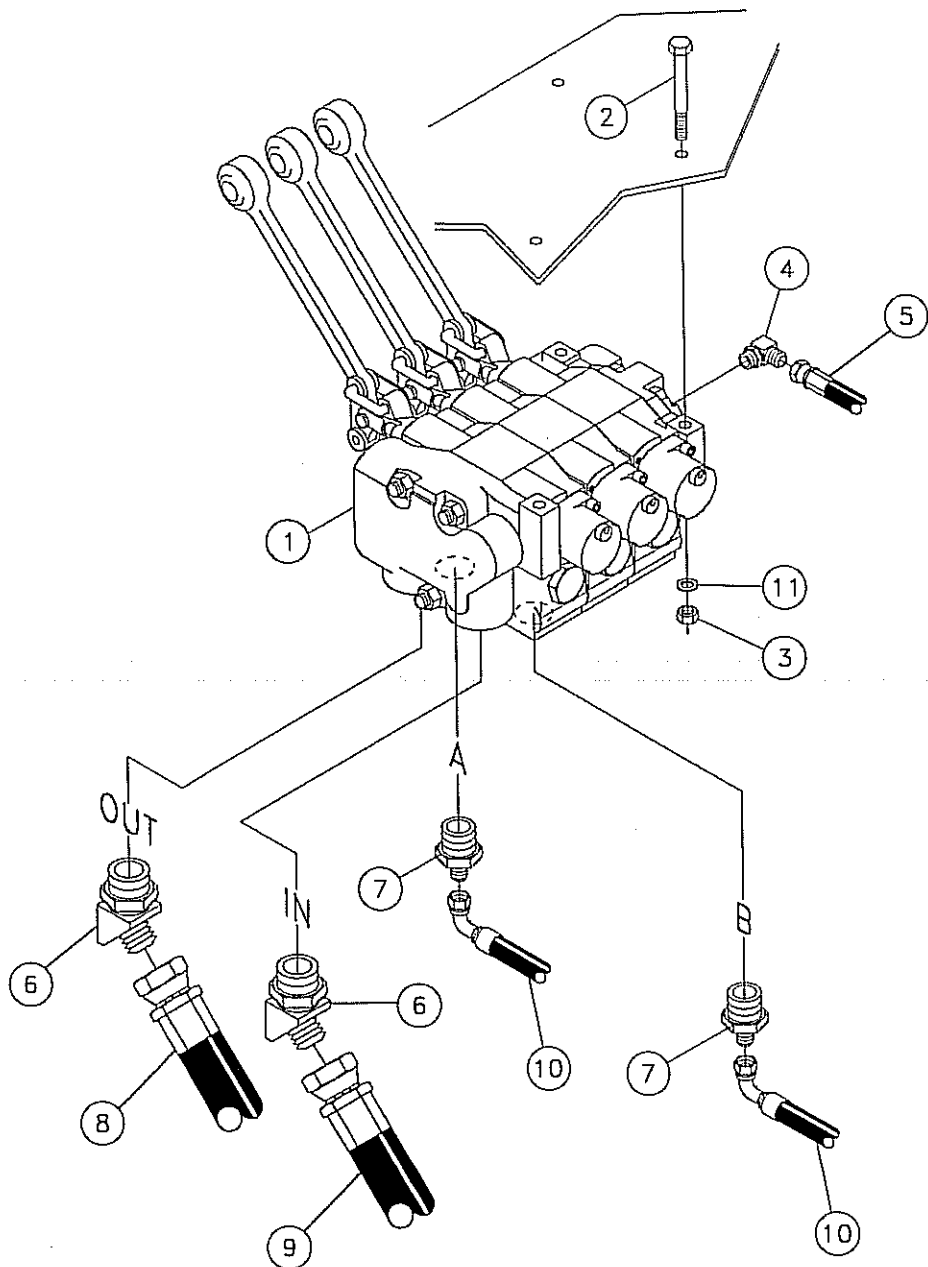
Figure 5-5



REF. NO.	PART NO.	DESCRIPTION	QTY.	REF. NO.	PART NO.	DESCRIPTION	QTY.
5-5	1	240883-001 PUMP-2.77 CID PFC	1	5-5	13	81343-001 4M (BCH)X4M JICX4M JIC TEE	1
		113253-003 SEAL KIT-PUMP/COMPENSATOR	1	5-5	14	53844-151 HOSE-1/2X40 8FS JIC 3000 PSI	1
5-5	2	98667-005 COMPENSATOR ASSEMBLY	1	5-5	15	53845-479 HOSE-3/4X38 12FS JIC 3000 PSI	1
5-5	3	103032-001 GASKET	2	5-5	16	94572-013 HOSE-1 1/2X49 24FSJIC/NONE 150	1
5-5	4	103029-001 SPACER-.060	1	5-5	17	53843-533 HOSE-1/4X44 4FS JIC ST/4FSJIC90	1
5-5	5	103031-001 GEAR	1	5-5	18	103030-001 NUT	1
5-5	6	238249-001 12 MM HARD WASHER Y/ZINC	4	5-5	19	53843-487 HOSE-1/4X96 4FS JIC 3000 PSI	1
5-5	7	250516-001 BOLT-12M X 35M GR.8 Y/ZINC	4	5-5	20	81921-001 FITTING-24MX24M JIC 90 DEG.	1
5-5	8	59407-001 8M JICX10M ADJ. 90 DEG.ELBOW	1	5-5	21	238514-001 BRACKET-PUMP SUPPORT	1
5-5	9	81212-001 FITTING-16MX12M JIC 45 ELBOW	1	5-5	22	53824-001 FITTING-#8M O-RING-#8M JIC ST.	1
5-5	10	103997-001 HOSE INSER-20MX1 1/2 45 DEG.	1	5-5	23	235725-001 NUT-3/8-16 GR8 ZINC PLTD	2
5-5	11	238094-001 CLAMP-3/4X1 3/4 BAND W/SCREW	2	5-5	24	235805-001 PLATE-PUMP BRACKET	1
5-5	12	235727-001 BOLT-3/8-16X1 GR8 HEX ZINC PLT	2	5-5	25	235713-001 WASHER-3/8 SAE HARD ZINC PLTD	2

CONTROL VALVE ASSEMBLY - 3 SPOOL

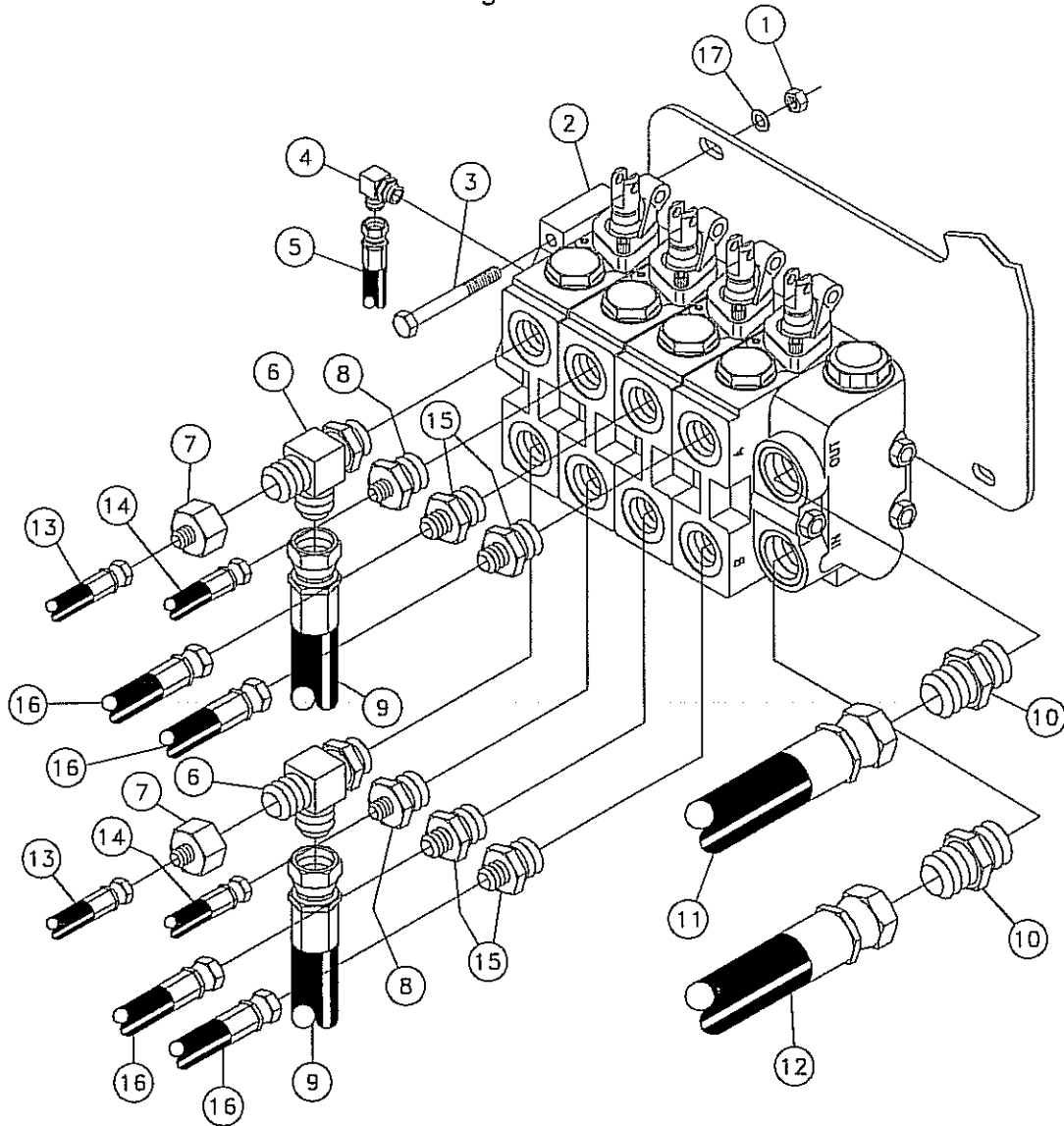
Figure 5-6



REF. NO.	PART NO.	DESCRIPTION	QTY.
5-6	1	VALVE-3 SPOOL CONTROL (BREAKDOWN FIG. 3-8)	1
5-6	2	BOLT-5/16-18 X 3" GR8 HEX YZI	3
5-6	3	NUT-5/16-18 GR8 ZINC PLTD	3
5-6	4	FIT-4M JICX4M ADJ.90 DEG.ELBOW	1
5-6	5	HOSE-1/4X96 4FS JIC 3000 PSI	1
5-6	6	60718-001 12M JICX12M ADJ.45 DEG.EL	2
5-6	7	FITTING-10MORX4MJIC STR.	2
5-6	8	53845-171 HOSE-3/4X54 12FS JIC 3000 PSI	1
5-6	9	240900-001 HOSE-3/4X120 12FSJIC ST/ST3000	1
5-6	10	53843-523 HOSE-1/4X86 4FS JIC ST/4FSJIC90	2
5-6	11	235714-001 WASHER-5/16 SAE HARD ZINC PLTD	3

CONTROL VALVE ASSEMBLY - 4 SPOOL

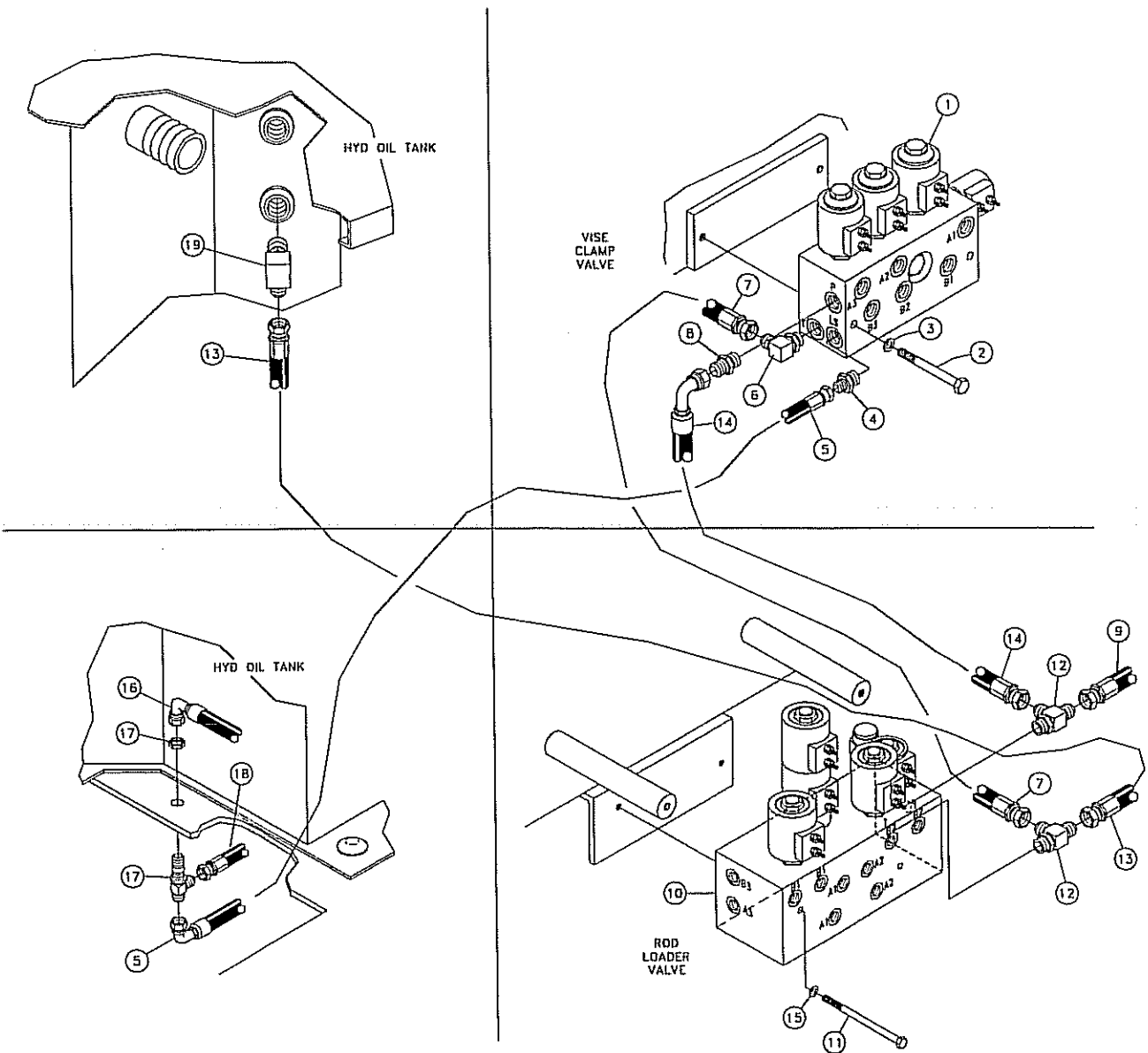
Figure 5-7



REF. NO.	PART NO.	DESCRIPTION	QTY.
5-7	1	235741-001 NUT-5/16-18 GRB ZINC PLTD	3
5-7	2	236458-001 VALVE-4 SPOOL CONTROL (BREAKDOWN FIG. 5-15)	1
5-7	3	238212-001 BOLT-5/16-18 X 3" GRB HEX YZI	3
5-7	4	59423-001 FIT-4M JICX4M ADJ.90 DEG.ELBOW	1
5-7	5	53843-331 HOSE-1/4X86 4FS JIC 3000 PSI	1
5-7	6	100873-001 FITTING-10MX10M JIC RUN TEE	2
5-7	7	65567-001 10 F JIC X 4M JIC	2
5-7	8	101507-001 FITTING-10MORX4MJIC STR.	2
5-7	9	53842-261 HOSE-5/8X20 10FS JIC 3000 PSI	2
5-7	10	53828-001 #12M O-RING-#12M JIC ST.	2
5-7	11	53845-813 HOSE-3/4X140 12FS JIC ST/90D3000	1
5-7	12	53845-519 HOSE-3/4 X 138 JIC 3100 PSI	1
5-7	13	53843-741 HOSE-1/4X18 4FS JIC ST/90 3000#	2
5-7	14	240901-001 HOSE-1/4X147 4FS JIC ST/90 3000	2
5-7	15	57946-001 10MX#6 JIC ST ADAPTER	4
5-7	16	57940-583 HOSE-3/8X18 6FS JIC 6FS JIC 90	4
5-7	17	235714-001 WASHER-5/16 SAE HARD ZINC-PLTD	3

SOLENOID VALVE ASSEMBLY (VISE CLAMP & ROD LOADER)

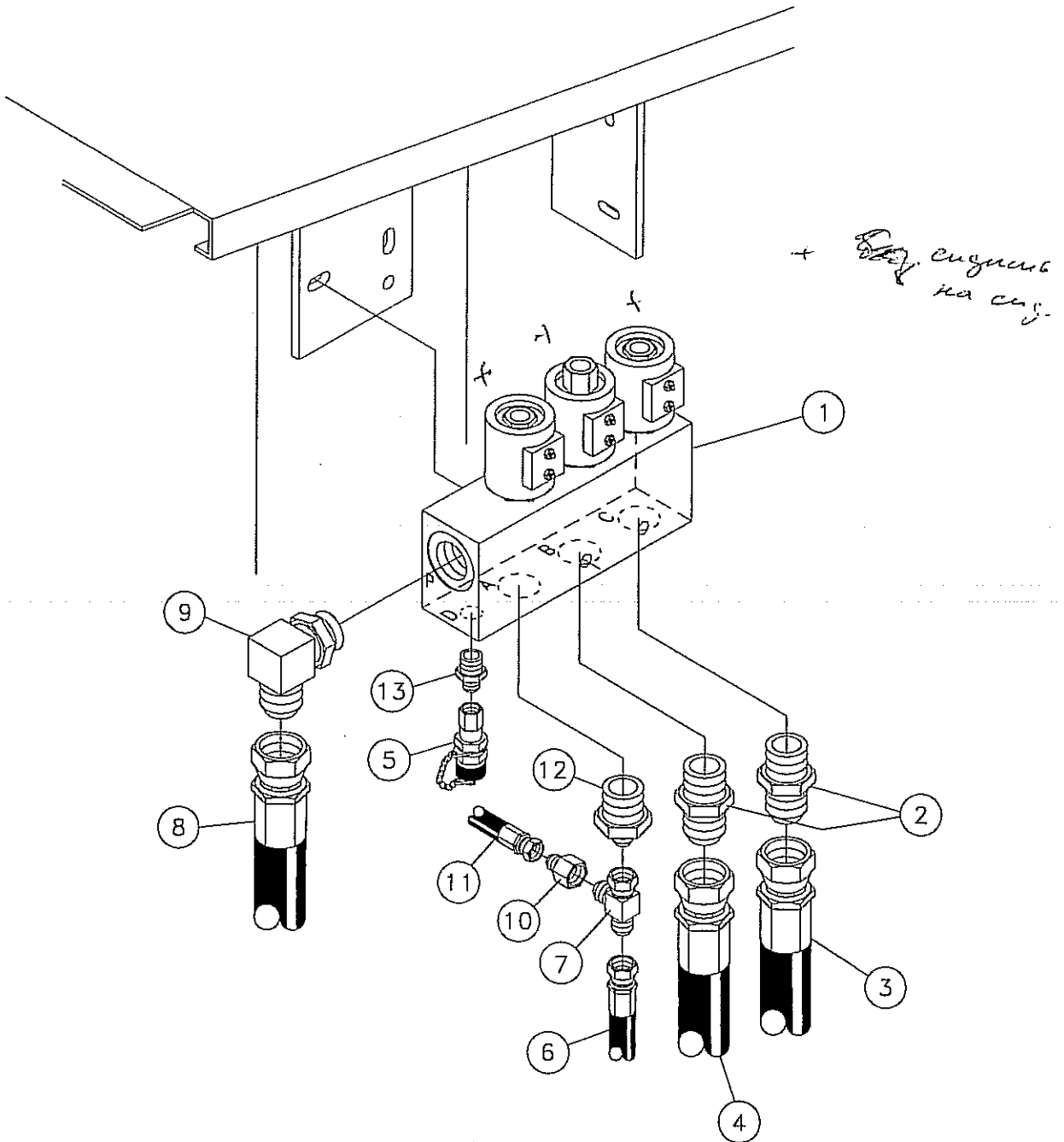
Figure 5-8



REF. NO.	PART NO.	DESCRIPTION	QTY.	REF. NO.	PART NO.	DESCRIPTION	QTY.
5-8	1	240941-001 VALVE-VISE (BREAKDOWN FIG. 5-21)	1	5-8	11	238243-001 BOLT 1/4"-20 X 4" GR8 HEX Y/Z	2
5-8	2	238212-001 BOLT-5/16-18 X 3" GR8 HEX YZI	2	5-8	12	68774-001 FITTING-6MX6M JIC (RUN)X6M JIC	2
5-8	3	235714-001 WASHER-5/16 SAE HARD ZINC PLTD	2	5-8	13	57940-051 HOSE-3/8X72 6FS JIC (100R1)	1
5-8	4	57968-001 6M O-RING 4M JIC STRAIGHT	1	5-8	14	236495-001 HOSE-3/8X12 6FS JIC ST/90 3000	1
5-8	5	236449-001 HOSE-1/4X52 4FSJIC ST/90 3000	1	5-8	15	235716-001 WASHER-1/4 SAE HARD ZINC PLTD	2
5-8	6	59426-001 FITTING-6M JICX6M ADJ 90 ELBOW	1	5-8	16	53843-533 HOSE-1/4X44 4FS JIC ST/4FSJC90	1
5-8	7	57940-201 HOSE-3/8X10 6FS JIC (100R2)	1	5-8	17	88545-001 FITTING-4M JIC BLKHD RUN TEE	1
5-8	8	65565-001 FITTING-6M X 6M JIC ST.	1	5-8	18	53843-331 HOSE-1/4X86 4FS JIC 3000 PSI	1
5-8	9	57940-581 HOSE-3/8X86 6FS JIC 3000 PSI	1	5-8	19	57954-001 8MX6 JIC 90 DEG	1
5-8	10	240942-001 VALVE-ROD LOADER	1				

DUMP VALVE ASSEMBLY

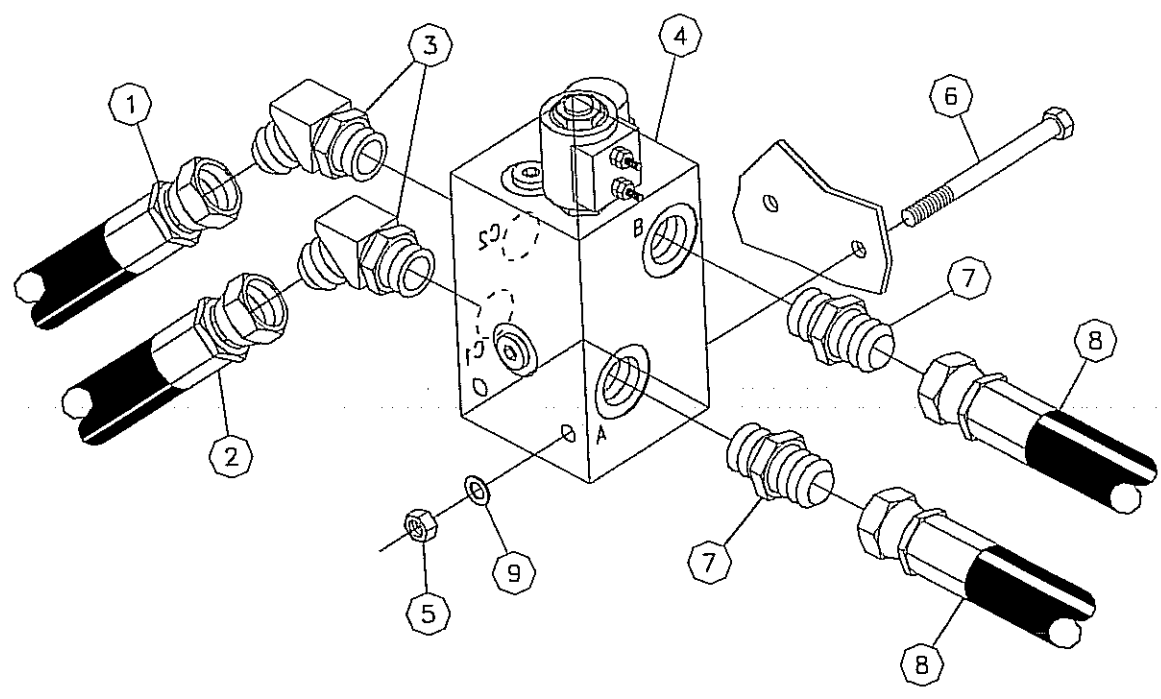
Figure 5-9



REF. NO.	PART NO.	DESCRIPTION	QTY.
5-9	1	240944-001 VALVE-DUMP (BREAKDOWN FIG. 5-16)	1
5-9	2	53828-001 #12M O-RING-#12M JIC ST.	2
5-9	3	240900-001 HOSE-3/4X120 12FSJIC ST/ST3000	1
5-9	4	53845-519 HOSE-3/4 X 138 JIC 3100 PSI	1
5-9	5	130600-001 COUPLER-DIAGNOSTIC , 6FJIC	1
5-9	6	57940-581 HOSE-3/8X86 6FS JIC 3000 PSI	1
5-9	7	59427-001 TEE-6M JIC BCH 6FS JIC X6M JIC	1
5-9	8	53845-225 HOSE-3/4X200 12FS JIC 3000 PSI <i>38</i>	1
5-9	9	59410-001 12M JICX12M ADJ. 90 DEG. ELBOW	1
5-9	10	59928-001 6F JICX4M JIC ST REDUCER	1
5-9	11	53843-331 HOSE-1/4X86 4FS JIC 3000 PSI	1
5-9	12	64168-001 12MX6 JIC M STR.	1
5-9	13	57968-001 6M O-RING 4M JIC STRAIGHT	1

REGEN VALVE ASSEMBLY

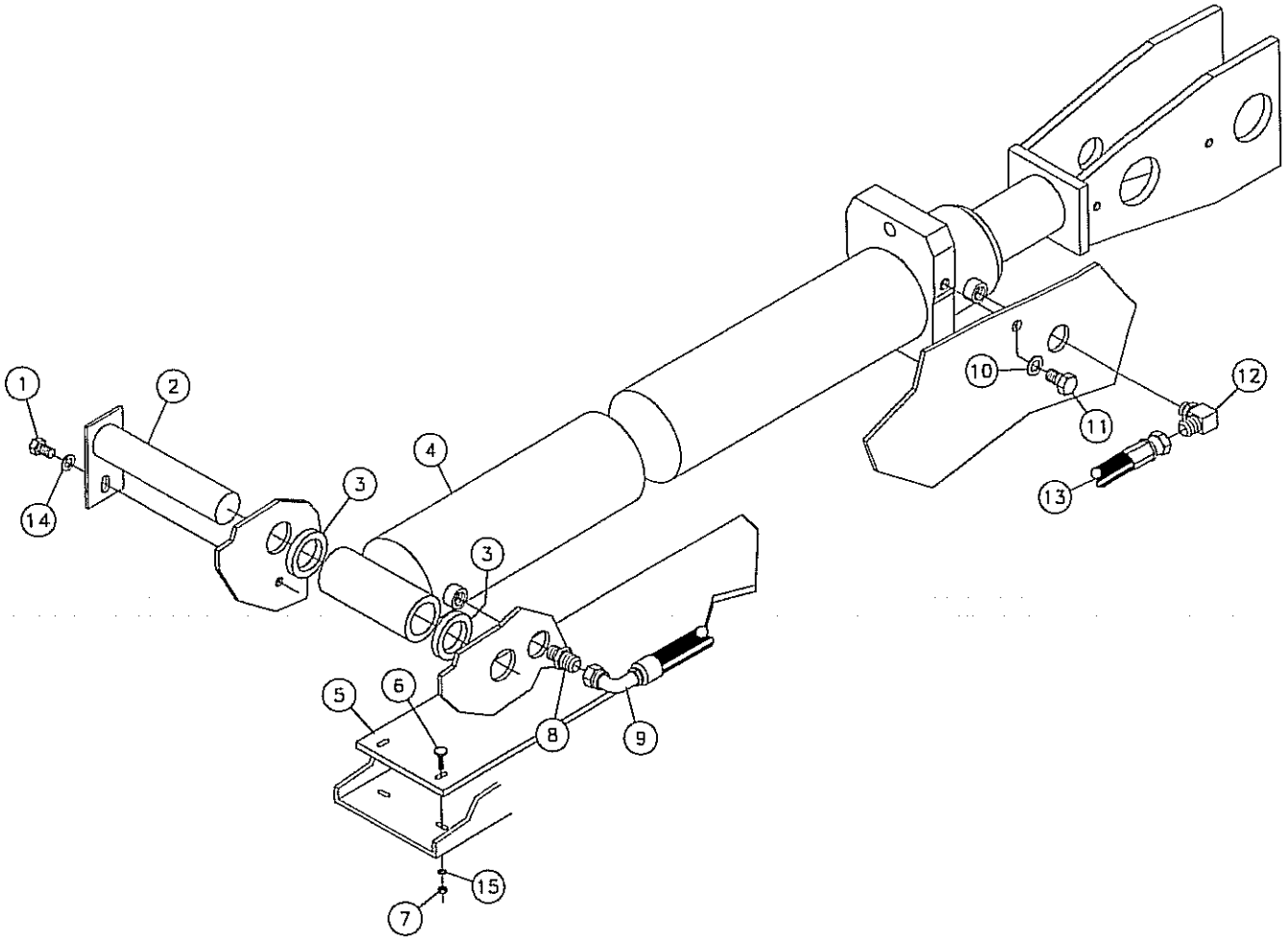
Figure 5-10



REF. NO.	PART NO.	DESCRIPTION	QTY.
5-10	1	236454-001 HOSE-5/8X134 10FSJICST/90 3000	1
5-10	2	236455-001 HOSE-5/8X115 10FSJIC 3000 PSI	1
5-10	3	56725-001 FITTING-10MX10M JIC 45 DEG.	2
5-10	4	240943-001 VALVE-REGEN (BREAKDOWN FIG. 5-23)	1
5-10	5	235741-001 NUT-5/16-18 GR8 ZINC PLTD	2
5-10	6	248013-001 BOLT-5/16-18X3 1/2 GD8 ZINC PL	2
5-10	7	53827-001 FITT.-#10M O-RING-#10M JIC ST.	2
5-10	8	53842-261 HOSE-5/8X20 10FSJIC 3000 PSI	2
5-10	9	235714-001 WASHER-5/16 SAE HARD ZINC PLTD	2

THRUST/PULLBACK CYLINDER ASSEMBLY

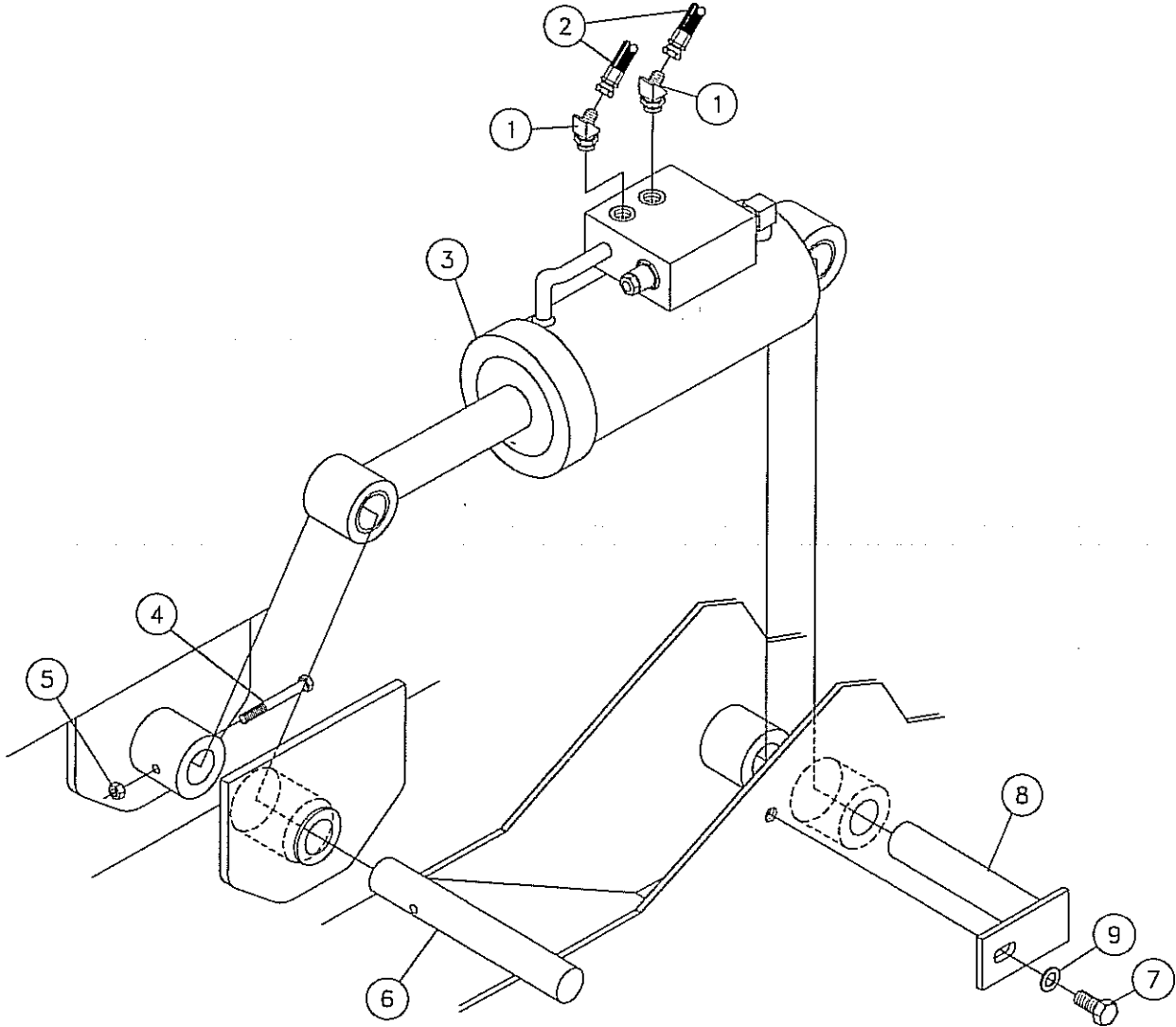
Figure 5-11



<u>REF. NO.</u>	<u>PART NO.</u>	<u>DESCRIPTION</u>	<u>QTY.</u>
5-11	1	235729-001 BOLT-1/2-13X1 GR8 HEX ZINC PLT	1
5-11	2	211144-001 CYLINDER PIN	1
5-11	3	213687-001 TUBE-SPACER	2
5-11	4	215799-001 CYLINDER-4 1/2 X 65 W/2 1/4ROD (BREAKDOWN FIG. 5-19)	1
5-11	5	213612-001 PLASTIC-CHAIN GUARD	2
5-11	6	543-007 1/4-20X7/8"ELEVATOR BOLT W/1/8	8
5-11	7	235732-001 NUT-1/4-20 GR8 ZINC PLTD	8
5-11	8	67850-001 8M X 10MJIC STR	1
5-11	9	236454-001 HOSE-5/8X134 10FSJICST/90 3000	1
5-11	10	235715-001 WASHER-5/8 SAE HARD ZINC PLTD	2
5-11	11	235730-001 BOLT-5/8-11X1 1/4 GR8 ZINC PLT	2
5-11	12	53823-001 #8M O-RING-#10M JIC 90 DEG.	1
5-11	13	236455-001 HOSE-5/8X115 10FSJIC 3000 PSI	1
5-11	14	485-025 WASHER-1/2 FLAT-HARDENED-ZINC	1
5-11	15	235716-001 WASHER-1/4 SAE HARD ZINC PLTD	8

RACK LIFT CYLINDER ASSEMBLY

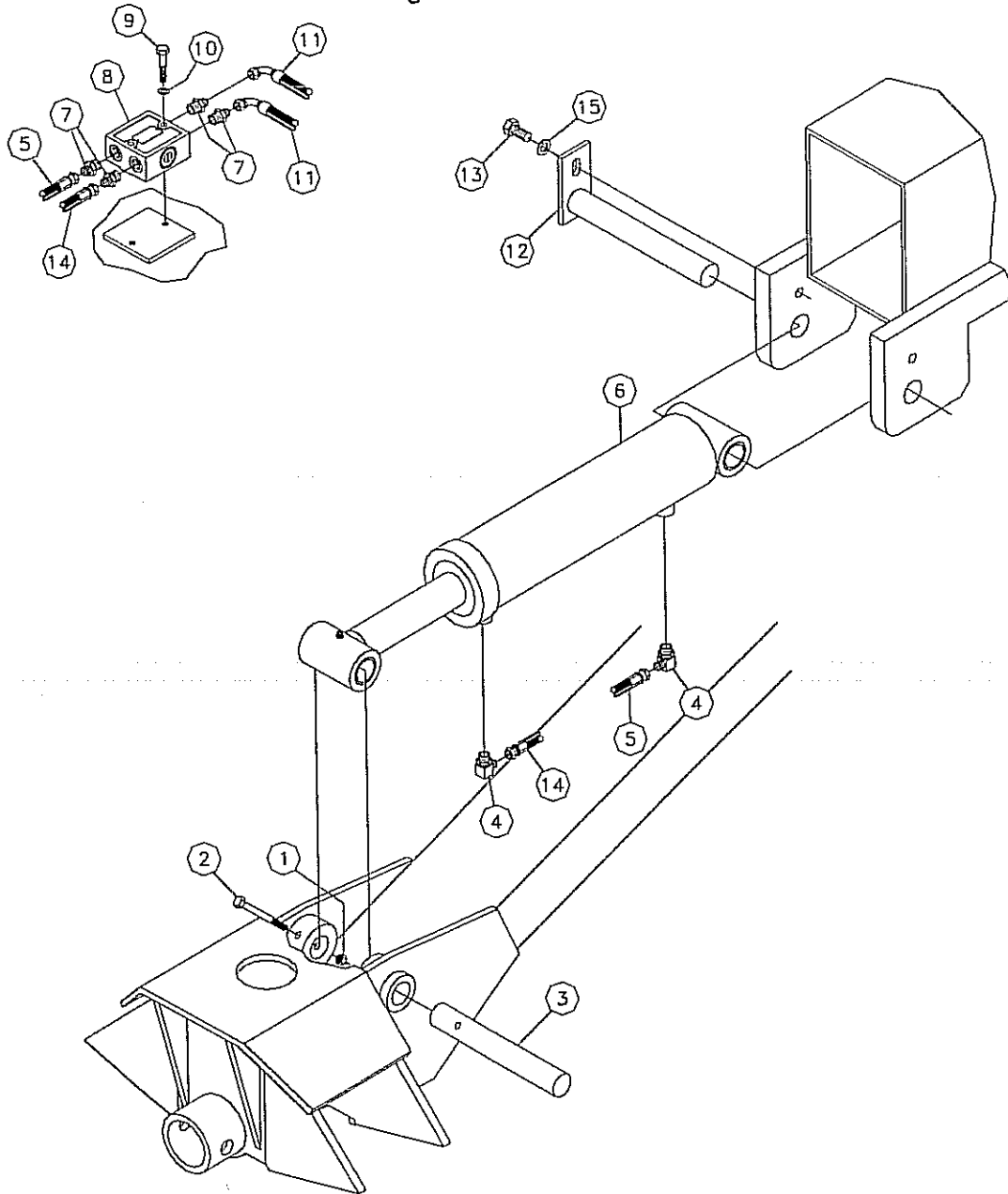
Figure 5-12



REF. NO.	PART NO.	DESCRIPTION	QTY.
5-12	1	82931-001 FITTING-6MX4M JIC 45DEG.ELBOW	2
5-12	2	53843-523 HOSE-1/4X86 4FS JIC ST/4FSJC90	2
5-12	3	236423-001 CYLINDER- 4X7 (BREAKDOWN FIG. 5-18)	1
5-12	4	238212-001 BOLT-5/16-18 X 3" GR8 HEX YZI	1
5-12	5	240333-001 NUT-5/16-18 GR8 TL ZINC PLTD	1
5-12	6	213586-001 PIN-FOOT CYL. TOP	1
5-12	7	235729-001 BOLT-1/2-13X1 GR8 HEX ZINC PLT	1
5-12	8	215602-001 PIN-CYLINDER	1
5-12	9	485-025 WASHER-1/2 FLAT-HARDENED-ZINC	1

OUTRIGGER CYLINDER ASSEMBLY

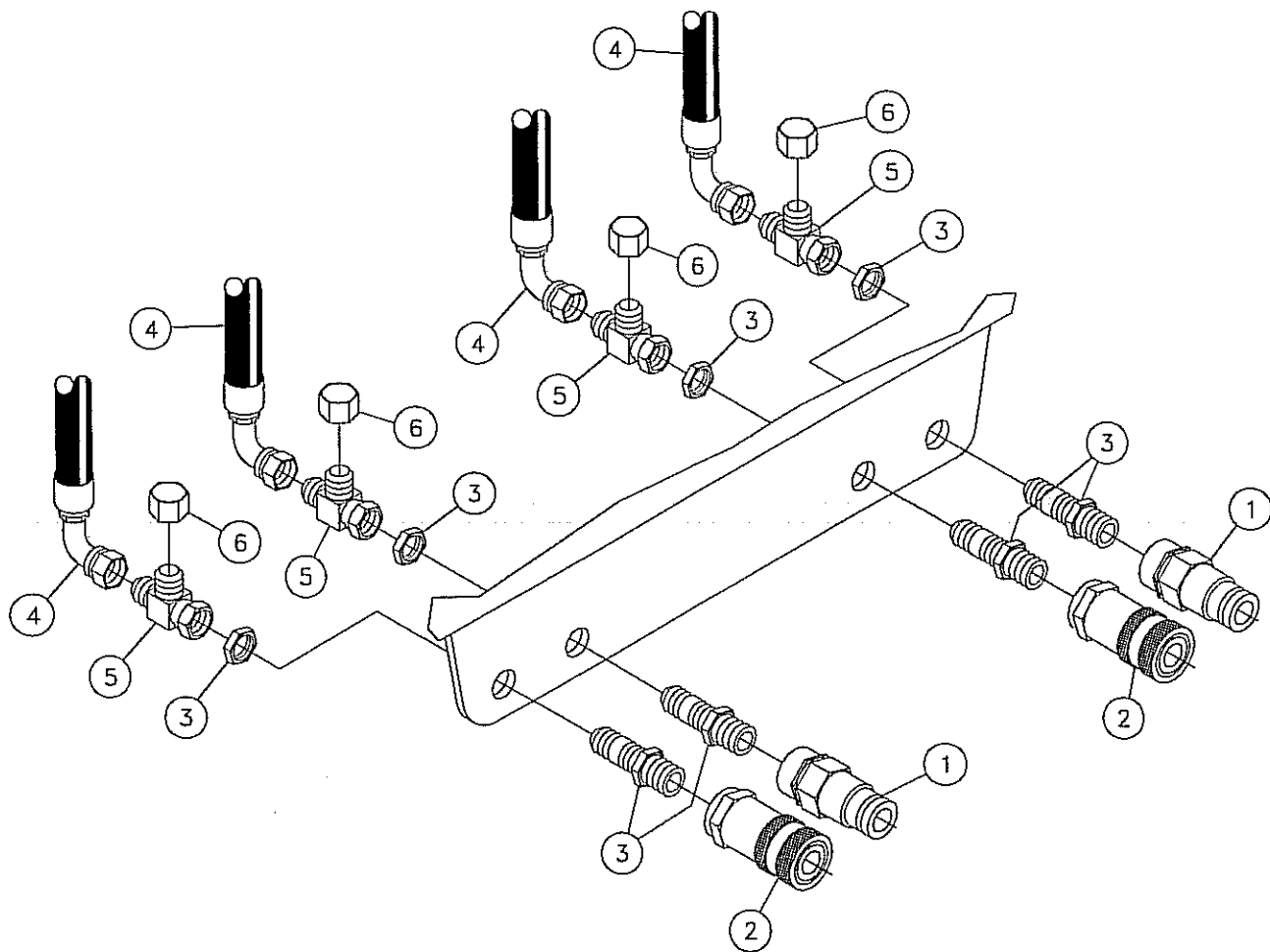
Figure 5-13



REF. NO.	PART NO.	DESCRIPTION	QTY.
5-13	1	240333-001 NUT-5/16-18 GR8 TL ZINC PLTD	1
5-13	2	238212-001 BOLT-5/16-18 X 3' GR8 HEX YZI	1
5-13	3	213586-001 PIN-FOOT CYL. TOP	1
5-13	4	600118-001 FITTING-6MORINGX4MJIC90PARKER	2
5-13	5	53843-189 HOSE-1/4X24 4FS JIC 3000 PSI	1
5-13	6	224977-001 CYLINDER- 3 1/2"X12" (BREAKDOWN FIG. 5-19)	1
5-13	7	57968-001 6M O-RING 4M JIC STRAIGHT	4
5-13	8	86668-001 VALVE-LOA-6-D	1
5-13	9	238211-001 BOLT-5/16-18X2 GR8 HEX ZINC YC	2
5-13	10	235714-001 WASHER-5/16 SAE HARD ZINC PLTD	2
5-13	11	240901-001 HOSE-1/4X147 4FSJIC ST790 3000	2
5-13	12	225152-001 PIN-CYLINDER	1
5-13	13	235729-001 BOLT-1/2-13X1 GR8 HEX ZINC PLT	1
5-13	14	53843-239 HOSE-1/4X26 4FS JIC 3000 PSI	1
5-13	15	485-025 WASHER-1/2 FLAT-HARDENED-ZINC	1

BULKHEAD ASSEMBLY

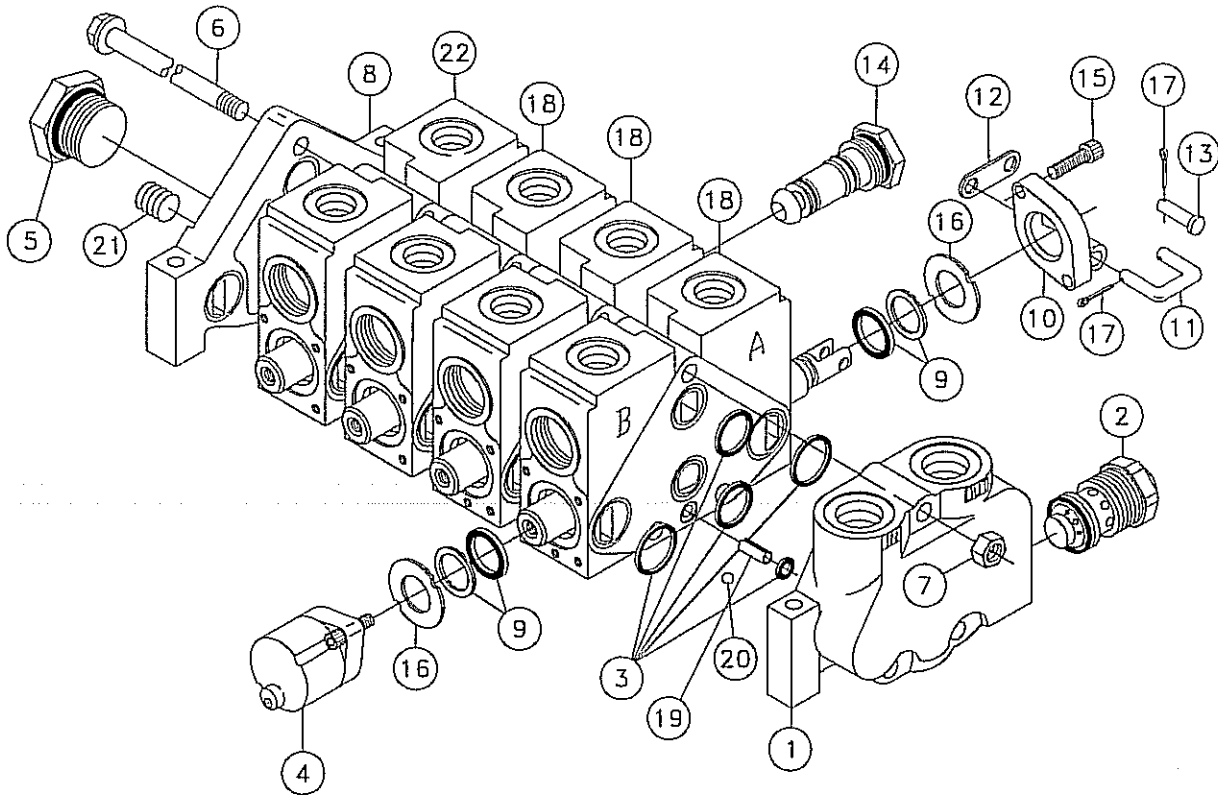
Figure 5-14



<u>REF. NO.</u>	<u>PART NO.</u>	<u>DESCRIPTION</u>	<u>QTY.</u>
5-14	1	221503-001 COUPLER-3/8 NPT QUICK (MALE)	2
5-14	2	221504-001 COUPLER-3/8 NPT QUICK (FEMALE)	2
5-14	3	130987-001 FITTING-6MJIC/3/8MNPT BULKHEAD	4
5-14	4	57940-583 HOSE-3/8X18 6FS JIC 6FS JIC 90	4
5-14	5	59427-001 TEE-6M JIC BCH 6FS JIC X6M JIC	4
5-14	6	59403-001 CAP NUT - 6 JIC	4

CONTROL VALVE COMPONENTS - 4 SPOOL

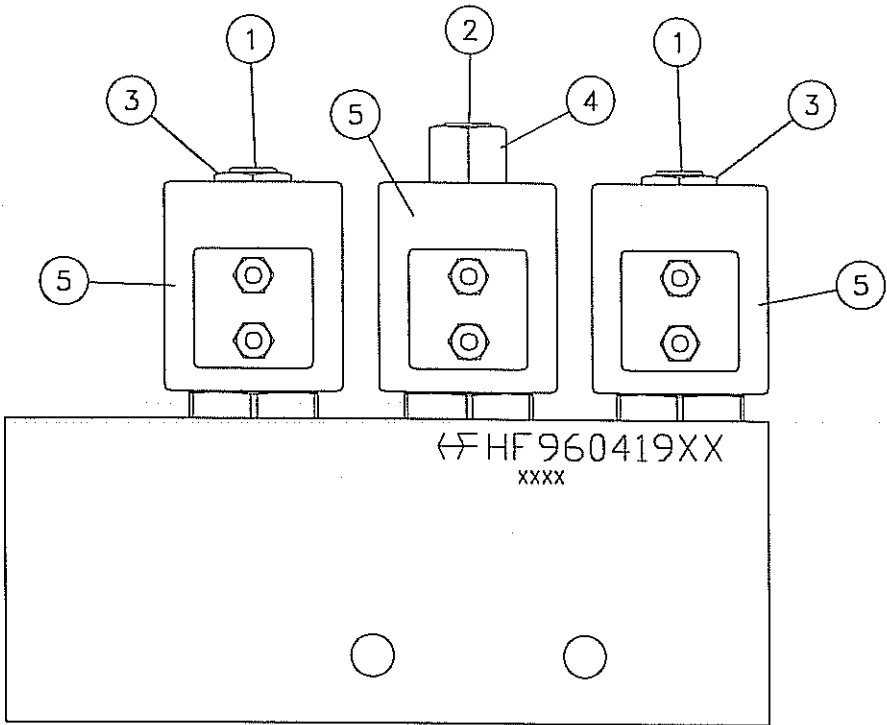
Figure 5-15



REF. NO.	PART NO.	DESCRIPTION	QTY.	REF. NO.	PART NO.	DESCRIPTION	QTY.
5-15	1	228113-003 LEFT COVER PLATE COMPLETE	1	5-15	14	3147-035 PLUG-LOAD CHECK STEEL (BREAKDOWN FIG. 3-9)	8
5-15	2	228113-005 WH MAIN RELIEF (3500 PSI) (BREAKDOWN FIG. 3-11)	1	5-15	15	79704-001 SCREW-1/4-20X7/8 SOC HD SELFLK	8
5-15	3	87390-001 REPAIR KIT-LOAD SENSING SECT.	5	5-15	16	3147-081 RETAIN-PLT WASH	8
5-15	4	6149-005 POSITIONER-STD. (BREAKDOWN FIG. 3-10)	4	5-15	17	510-035 PIN-3/32 X 1/2 COTTER	12
5-15	5	3152-011 PLUG SAE 12 (INC. O-RING)	1	5-15	18	236458-003 BODY ASSY-CNTR SEC W/FREE FLOW (INC. ONE OF REF. 3, 4, 9-11, 13, 19 & 20, TWO OF REF. 14-16 & THREE OF REF. 17)	3
5-15	6	3152-013 SEAL-O-RING	1	5-15	19	87397-001 PIN-SPRING	1
5-15	7	14173-003 STUD KIT-4 SECT. (INC. REF. 7)	1	5-15	20	87398-001 BALL	1
5-15	8	446-001 NUT-3/8 NF HEX	3	5-15	21	3213-017 PLUG-RELIEF 3/8" GRESN 73-001	1
5-15	9	102976-001 COVER ASSY-RIGHT LOAD SEN (INC. ONE OF REF. 3, 5 & 21).	1	5-15	22	236458-005 BODY ASSY-CENTER SECTION (INC. ONE OF REF. 3, 4, 9-11, 13, 19 & 20, TWO OF REF. 14-16 & THREE OF REF. 17)	1
5-15	10	3147-077 REPAIR KIT	4				
5-15	11	3147-029 BRACKET	4				
5-15	12	4333-003 LINK (INC. REF. 12)	4				
5-15	13	4333-005 PLATE-LINK	4				
5-15	14	2110-003 PIN-CLEVIS 1/4X7/8 - 47/64 UL	4				
						236458-001 VALVE-4 SPOOL CONTROL (INC. ALL ITEMS IN THIS FIGURE)	

DUMP VALVE COMPONENTS

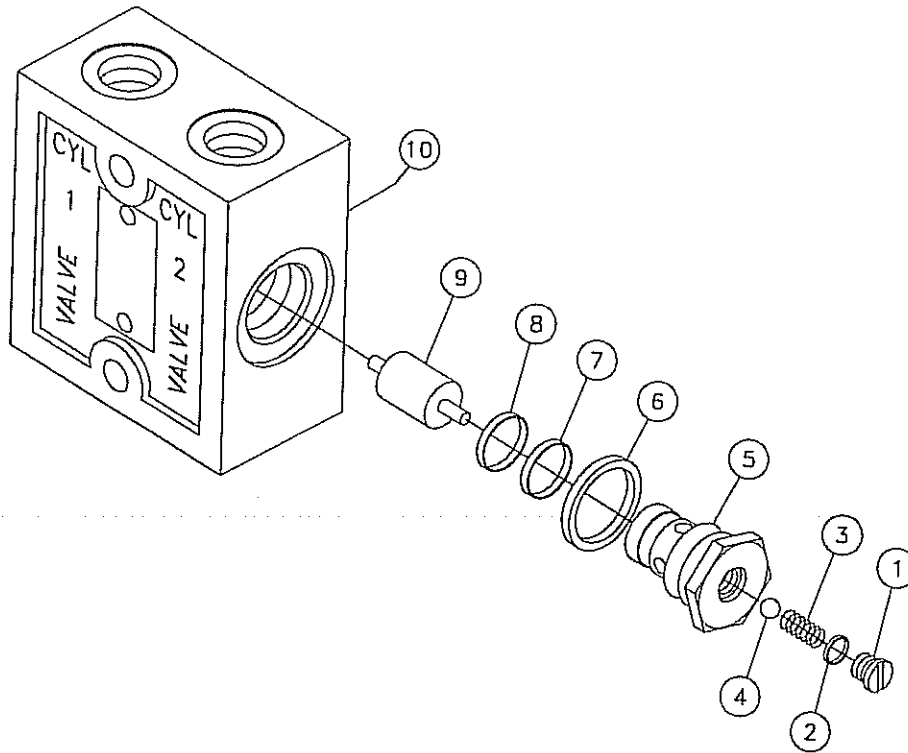
Figure 5-16



REF. NO.	PART NO.	DESCRIPTION	QTY.
5-16	1	904525-007 POPPET-N/C	2
		904525-009 REPAIR KIT	2
5-16	2	904525-005 POPPET-N/O	1
		904525-009 REPAIR KIT	1
5-16	3	224886-007 NUT	2
5-16	4	904525-013 NUT-COIL (LONG)	1
5-16	5	240983-001 COIL-10 DV 12 VDC	3
	240944-001	VALVE-DUMP (INC. ALL ITEMS IN THIS FIGURE)	

LOCK VALVE COMPONENTS

Figure 5-17

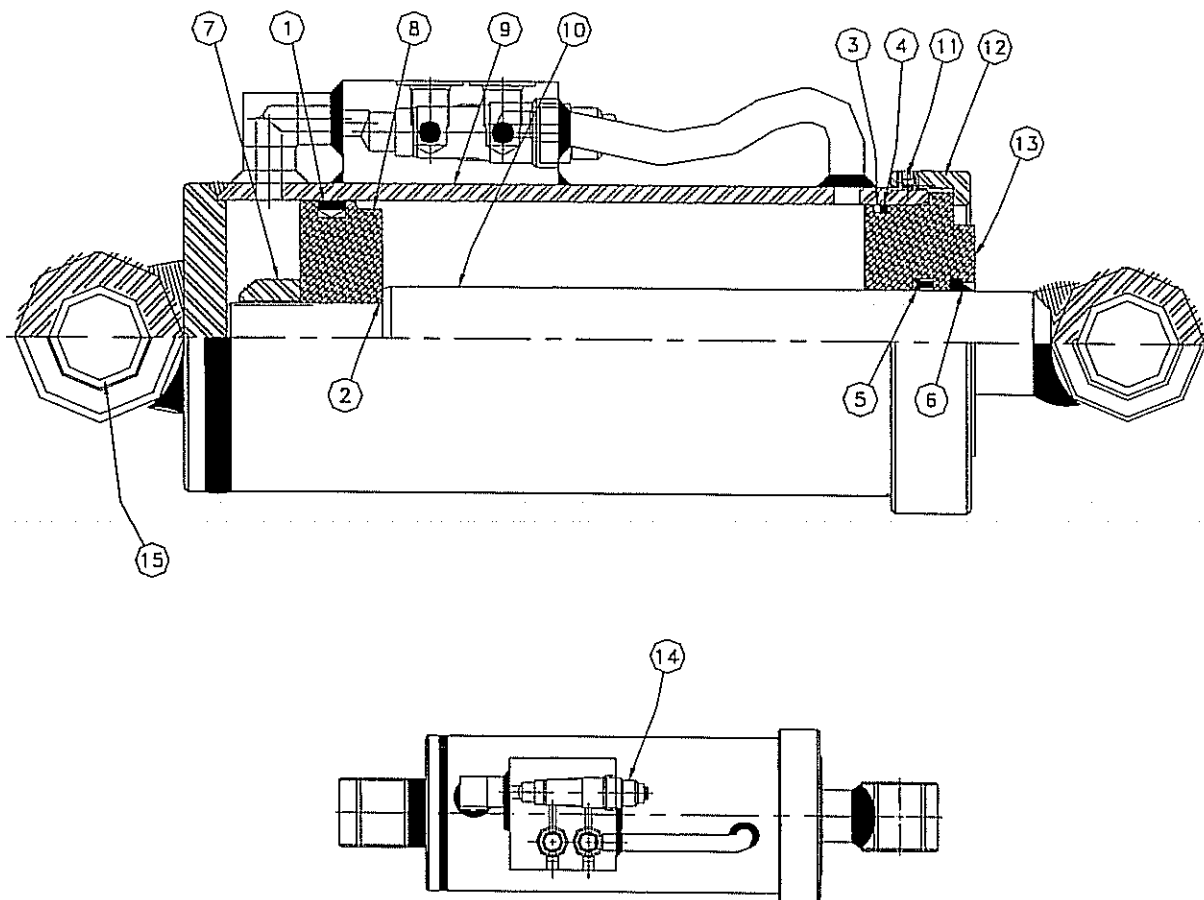


REF. NO.	PART NO.	DESCRIPTION	QTY.
5-17	1	3216-007 PLUG-SEAT	2
5-17	2	NSS O-RING	2
5-17	3	3216-009 SPRING-CHECK	2
5-17	4	3216-011 BALL	2
5-17	5	3216-013 SEAT	2
5-17	6	NSS O-RING	2
5-17	7	NSS O-RING	2
5-17	8	NSS WASHSER-BACKUP	2
5-17	9	3216-015 PISTON-D	1
5-17	10	NSS HOUSING	1

- 3216-003 REPAIR KIT (INC. TWO EACH OF REF. 2 & 6-8)
- 3216-005 REBUILDING KIT- (INC. TWO EACH OF REF. 1-8 & ONE OF REF. 9)
- 86668-001 VALVE-LOCK (INC. REF. 1-10)

HYDRAULIC CYLINDER COMPONENTS - 4" X 7"

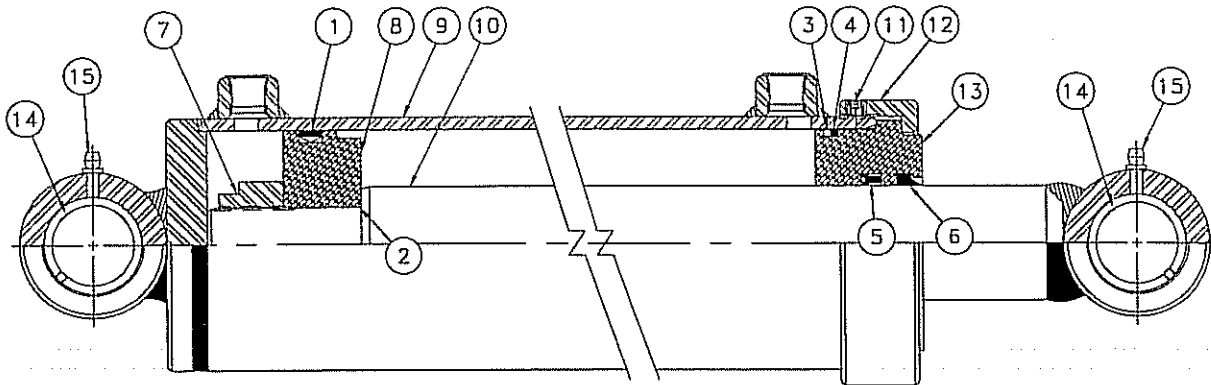
Figure 5-18



REF. NO.	PART NO.	DESCRIPTION	QTY.
5-18	1	230011-003 UNI-RING	1
5-18	2	223842-007 O-RING	1
5-18	3	223842-009 SEAL KIT-HYD. CYLINDER	1
5-18	4	200795-001 RING-BACKUP #240	1
5-18	5	236423-003 LOADED U-CUP	1
5-18	6	200808-001 WIPER 52-1500	1
5-18	7	218496-007 LOCK NUT	1
5-18	8	236423-005 PISTON	1
5-18	9	236423-007 BARREL ASSEMBLY	1
5-18	10	236423-009 ROD ASSEMBLY	1
5-18	11	206557-009 NT SH SET SCREW	1
5-18	12	215325-011 THREAD CAP	1
5-18	13	204355-001 GLAND	1
5-18	14	229414-007 C.B. VALVE	1
		236423-001 CYLINDER-4X7 HYD. (COMPLETE)	
		236423-011 SEAL KIT (INC. REF 1-6)	

HYDRAULIC CYLINDER COMPONENTS - 3 1/2" X 12"

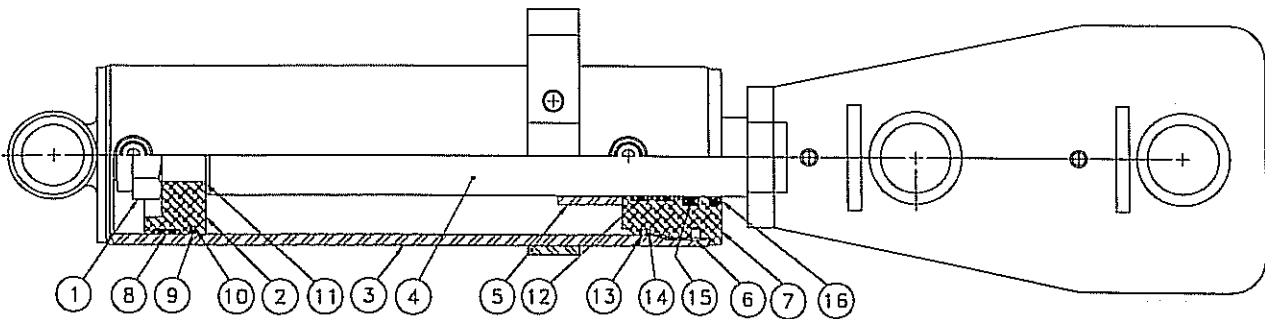
Figure 5-19



<u>REF. NO.</u>	<u>PART NO.</u>	<u>DESCRIPTION</u>	<u>QTY.</u>
5-19	1	200789-001 UNI-RING	1
5-19	2	200820-001 O-RING	1
5-19	3	200822-001 O-RING	1
5-19	4	200787-001 WASHER-BACKUP	1
5-19	5	224977-003 LOADED-CUP	1
5-19	6	115404-017 ROD WIPER	1
5-19	7	224977-005 LOCKNUT	1
5-19	8	200788-001 PISTON	1
5-19	9	224977-007 BARREL ASSEMBLY	1
5-19	10	224977-009 ROD ASSEMBLY	1
5-19	11	212820-009 SET SCREW-SOCKET HD	1
5-19	12	200783-001 THREADED CAP	1
5-19	13	200786-001 GLAND	1
5-19	14	1835-027 BSHG.-STL-1 1/2X1 1/4X1 1/2	2
5-19	15	215325-015 GREASE ZERK (DRIVE-IN)	2
	200782-001	SEAL KIT (INC. REF. 1-6)	
	224977-001	CYLINDER- 3 1/2"X12"	

HYDRAULIC CYLINDER COMPONENTS - 4 1/2" X 65"

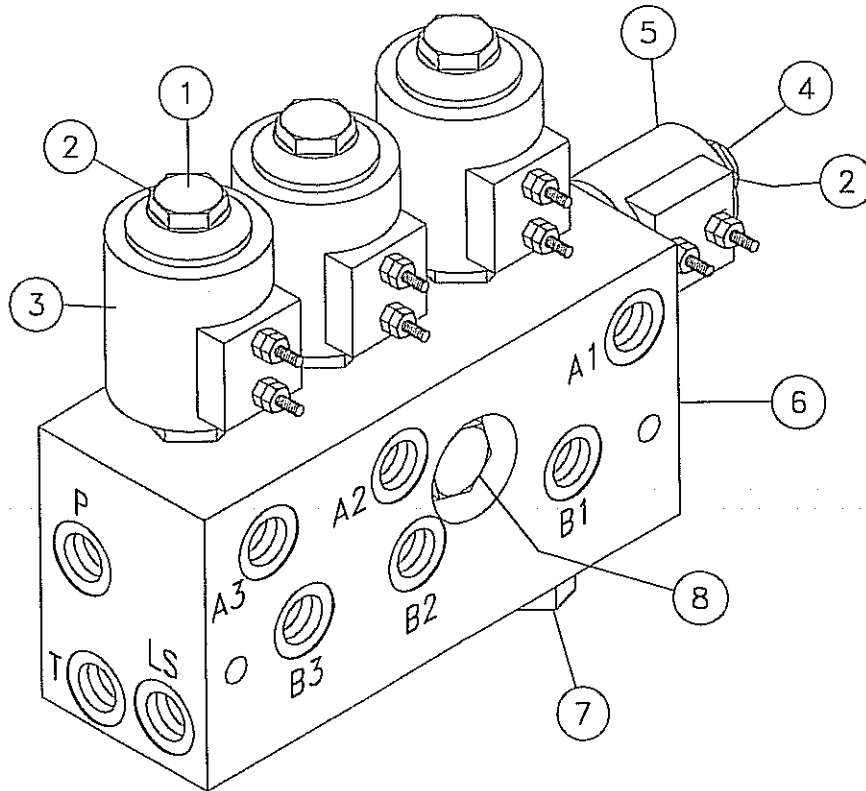
Figure 5-20



REF. NO.	PART NO.	DESCRIPTION	QTY.
5-20	1	85777-031 NUT-1 1/2" 12 LOCK	1
5-20	2	212568-007 PISTON	1
5-20	3	215799-003 TUBE WELDMENT	1
5-20	4	215799-005 ROD WELDMENT	1
5-20	5	215799-007 ROD SPACER	1
5-20	6	99541-017 LOCKING INSERT	1
5-20	7	215799-009 HEAD GLAND	1
5-20	8	212568-009 WEAR BAND	1
5-20	9	212568-011 SEAL-SQ SECTION TEFLON	1
5-20	10	212568-013 SQUARE RING	1
5-20	11	85923-023 O-RING	1
5-20	12	215799-011 WEAR BAND	2
5-20	13	212568-017 O-RING	1
5-20	14	212568-019 BACKUP RING	1
5-20	15	215799-013 POLYPAK	1
5-20	16	215799-015 ROD WIPER	1
	215799-017	SEAL KIT (INC. REF. 8-16)	
	215799-001	CYLINDER-4 1/2 X 65 (COMPLETE)	

SOLENOID VALVE COMPONENTS - VISE CLAMP

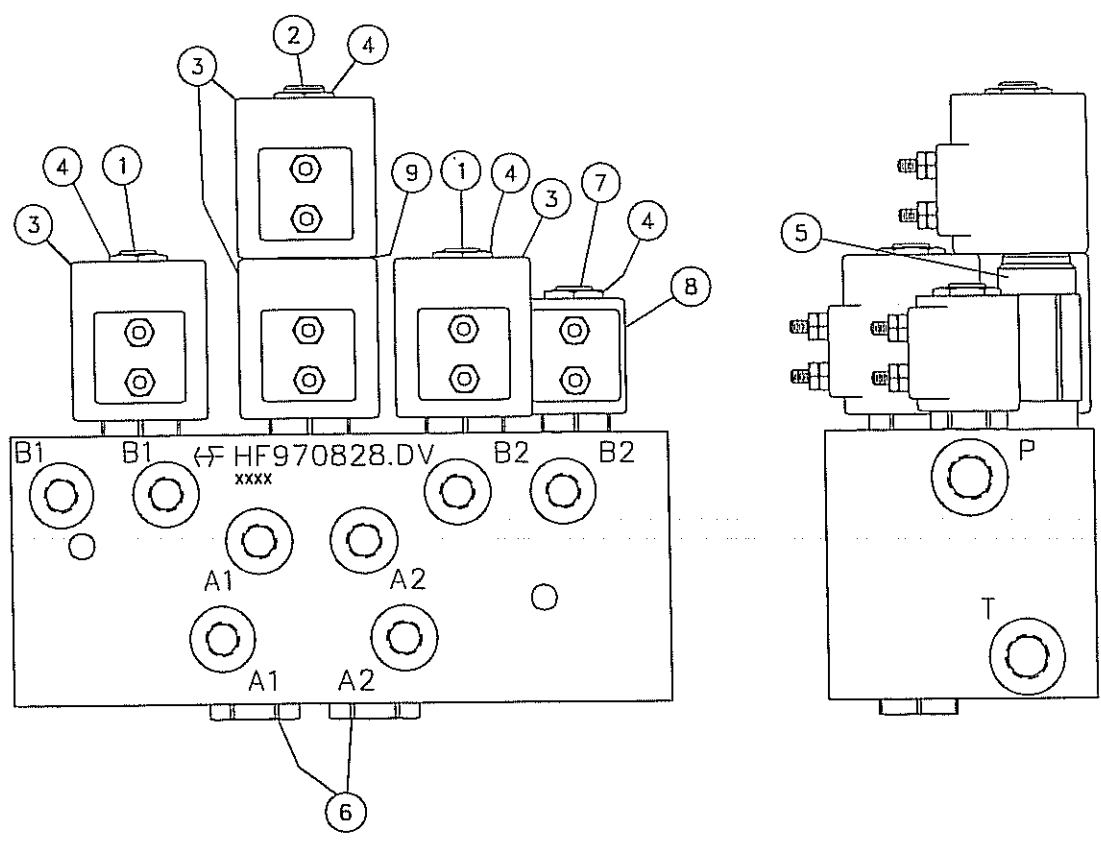
Figure 5-21



REF. NO.	PART NO.	DESCRIPTION	QTY.
5-21	1	228128-003 CARTRIDGE-SOLENOID (INC. SEAL KIT & NUT)	3
	206271-007	REPAIR KIT	3
5-21	2	224886-007 NUT	4
5-21	3	240983-001 COIL-10 DV 12 VDC	3
5-21	4	228128-005 CARTRIDGE-SOLENOID (INC. SEAL KIT & NUT)	1
	228128-009	SEAL KIT	1
5-21	5	240941-003 COIL	1
5-21	6	228128-011 BODY-VALVE	1
5-21	7	228128-013 SENSE CHECK	1
	228128-015	SEAL KIT	1
5-21	8	228128-017 CHECK VALVE	1
	228128-009	SEAL KIT	1
	240941-001	VALVE-3 SECTION 3 WAY SOLENOID (COMPLETE) (INC. ALL ITEMS IN THIS FIGURE)	

SOLENOID VALVE COMPONENTS (ROD LOADER)

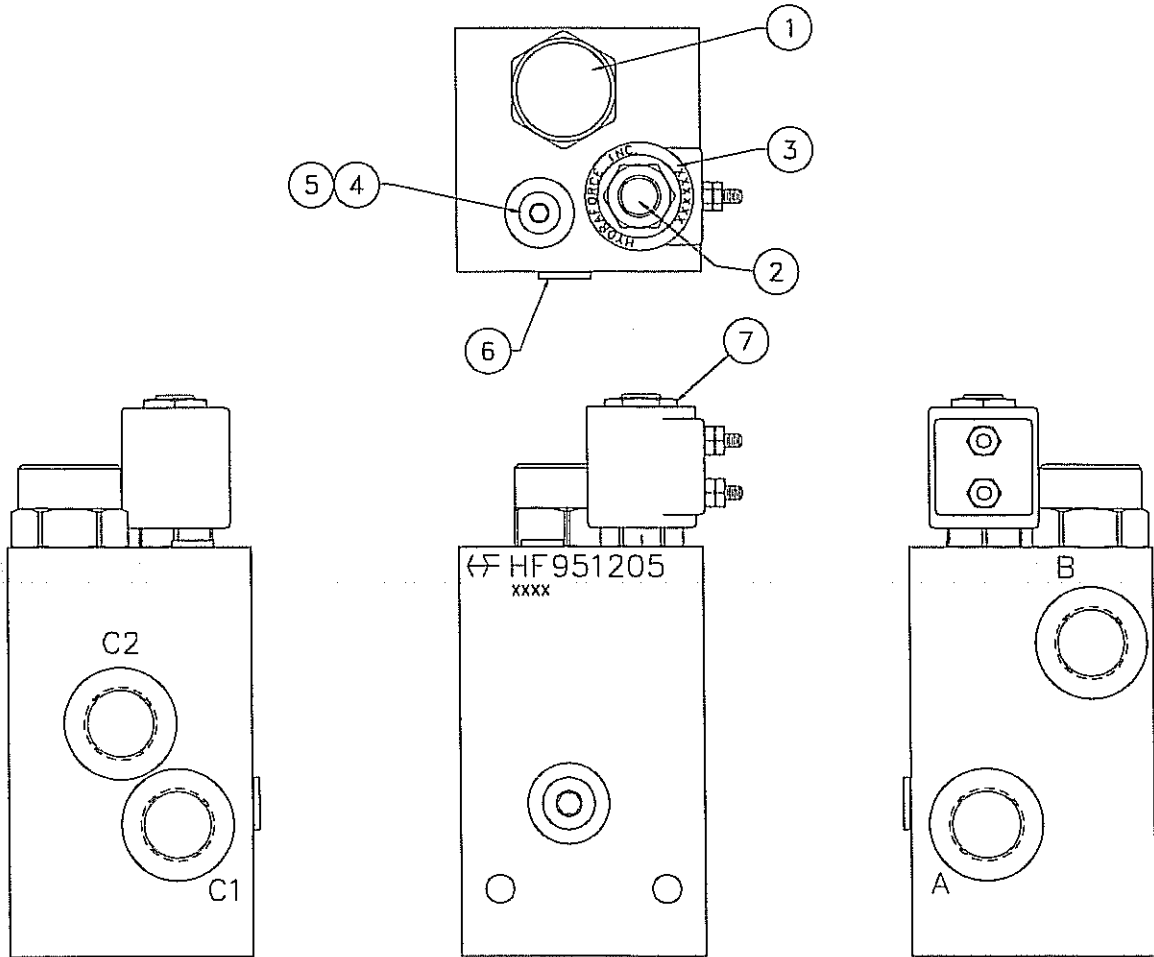
Figure 5-22



REF. NO.	PART NO.	DESCRIPTION	QTY.
5-22	1	212822-005 CARTRIDGE (INC. REPAIR KIT & NUT)	2
		206271-007 REPAIR KIT	1
5-22	2	206271-007 REPAIR KIT	1
		228129-003 CARTRIDGE-SOLENOID (INC. REPAIR KIT & NUT)	1
5-22	3	206271-005 COIL-12V DUAL POST	4
5-22	4	224886-007 NUT	4
5-22	5	240942-003 CARTRIDGE-PRESSURE RELIEF	1
		236316-005 SEAL KIT	1
5-22	6	228179-003 FLOW DIVIDER/COMBINER	2
		228179-005 SEAL KIT	2
5-22	7	240942-005 CARTRIDGE (INC. REPAIR KIT & NUT)	1
		228128-009 SEAL KIT	1
5-22	8	228128-007 COIL	1
5-22	9	228129-007 SPACER	1
	240942-001	VALVE-SOLENOID (INC. ALL ITEMS IN THIS FIGURE)	

VALVE COMPONENTS - SELECTABLE REGEN

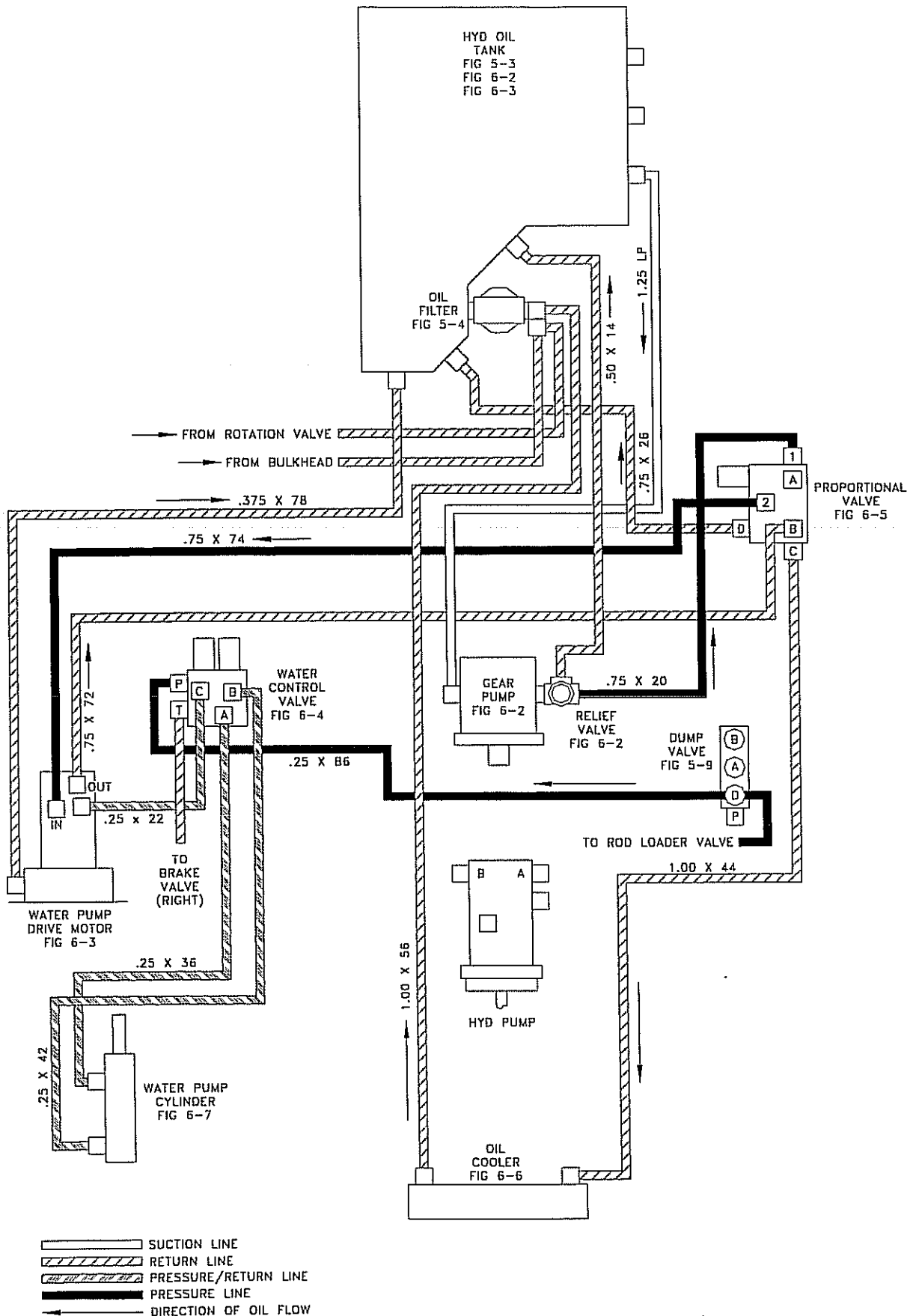
Figure 5-23



REF. NO.	PART NO.	DESCRIPTION	QTY.
5-23	1	228124-003 CARTRIDGE-PILOTED DIRECTIONAL	1
		228124-005 SEAL KIT	1
5-23	2	228124-017 CARTRIDGE-SOLENOID (INC. SEAL KIT & NUT)	1
		110467-003 SEAL KIT	1
5-23	3	240941-003 COIL	1
5-23	4	228124-007 ORIFICE PLUG	1
5-23	5	228124-009 PORT PLUG	1
		228124-011 SEAL KIT	1
5-23	6	228124-013 PORT PLUG	1
		228124-015 SEAL KIT	1
5-23	7	224886-007 NUT	1
	240943-001	VALVE-ELEC. SELECTABLE REGEN (INC. ALL ITEMS IN THIS FIGURE)	

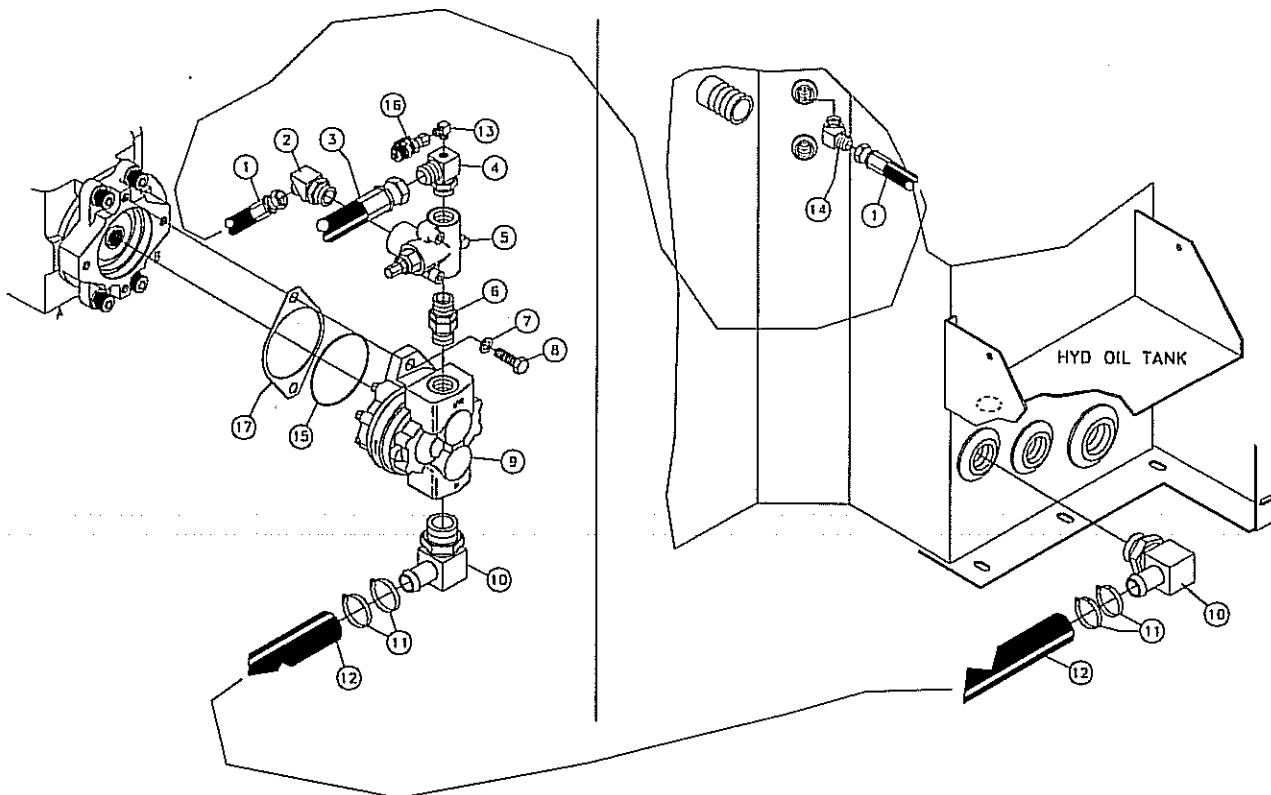
HYDRAULIC COMPONENTS LOCATION DIAGRAM - WATER SYSTEM

Figure 6-1



GEAR PUMP ASSEMBLY

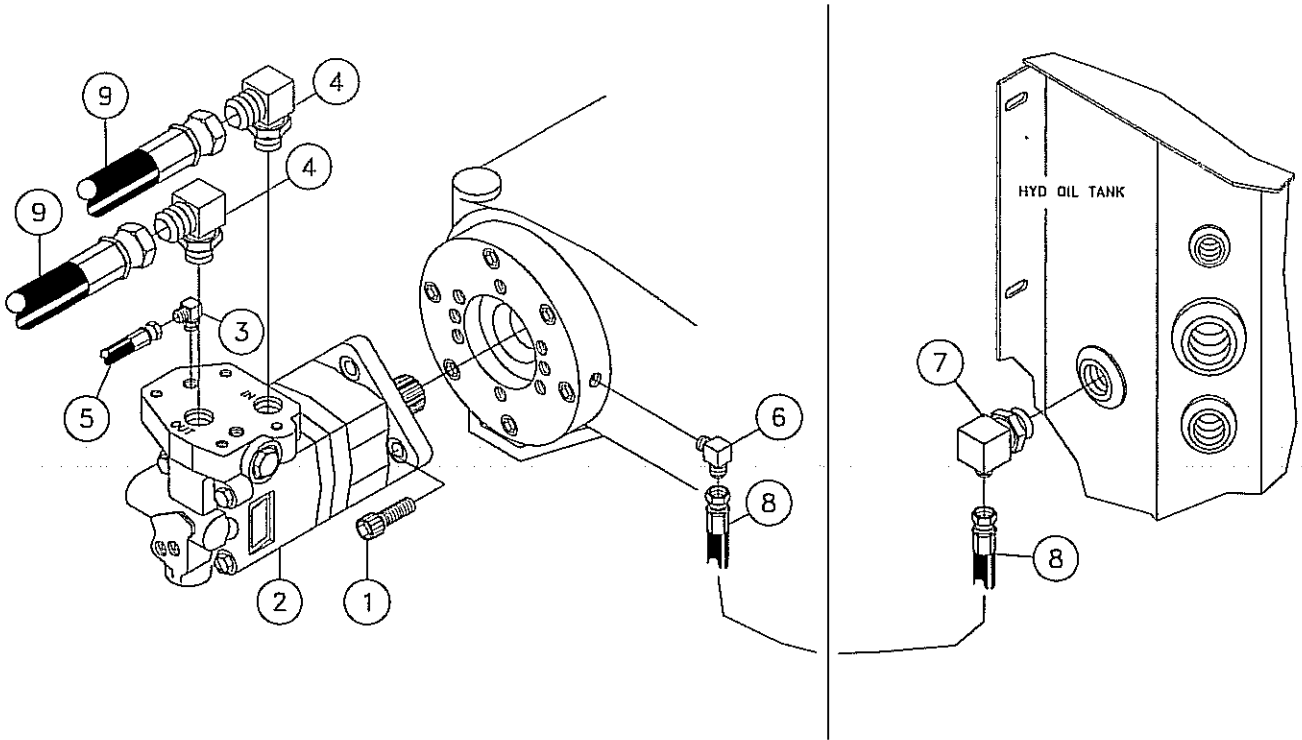
Figure 6-2



REF. NO.	PART NO.	DESCRIPTION	QTY.
6-2	1	53844-369 HOSE-1/2X14 8FS JIC 3000 PSI	1
6-2	2	111487-001 FITTING-12MX8M JIC 45 EL	1
6-2	3	53845-303 HOSE-3/4X20 12FS JIC 3000 PSI	1
6-2	4	69918-001 FITTING-PRESSURE CHECK	1
6-2	5	228251-001 VALVE-2500 PSI RELIEF (BREAKDOWN FIG. 6-10)	1
6-2	6	712-001 12 M HEX NIPPLE	1
6-2	7	485-025 WASHER-1/2 FLAT-HARDENED-ZINC	2
6-2	8	235721-001 BOLT-1/2-13X1 1/2 GR8 ZINC PLT	2
6-2	9	225188-001 PUMP-1.78 CID SPLINED SHAFT	1
6-2	10	99999-001 FITTING-20MORINGX1 1/4BEAD 90	2
6-2	11	238094-001 CLAMP-3/4X1 3/4 BAND W/SCREW	4
6-2	12	238599-001 HOSE-PUMP SUCTION W/SPRING INS	1
6-2	13	56647-001 FITTING-1/4MX4M JIC 90 DEG.	1
6-2	14	53834-001 #8M O-RING-#8M JIC 45 DEG.	1
6-2	15	76455-001 O-RING #11223 FAUVER	1
6-2	16	83015-001 FITTING-4F JIC DIAGNOSTIC	1
6-2	17	103032-001 GASKET	1

HYDRAULIC MOTOR ASSEMBLY - WATER PUMP

Figure 6-3

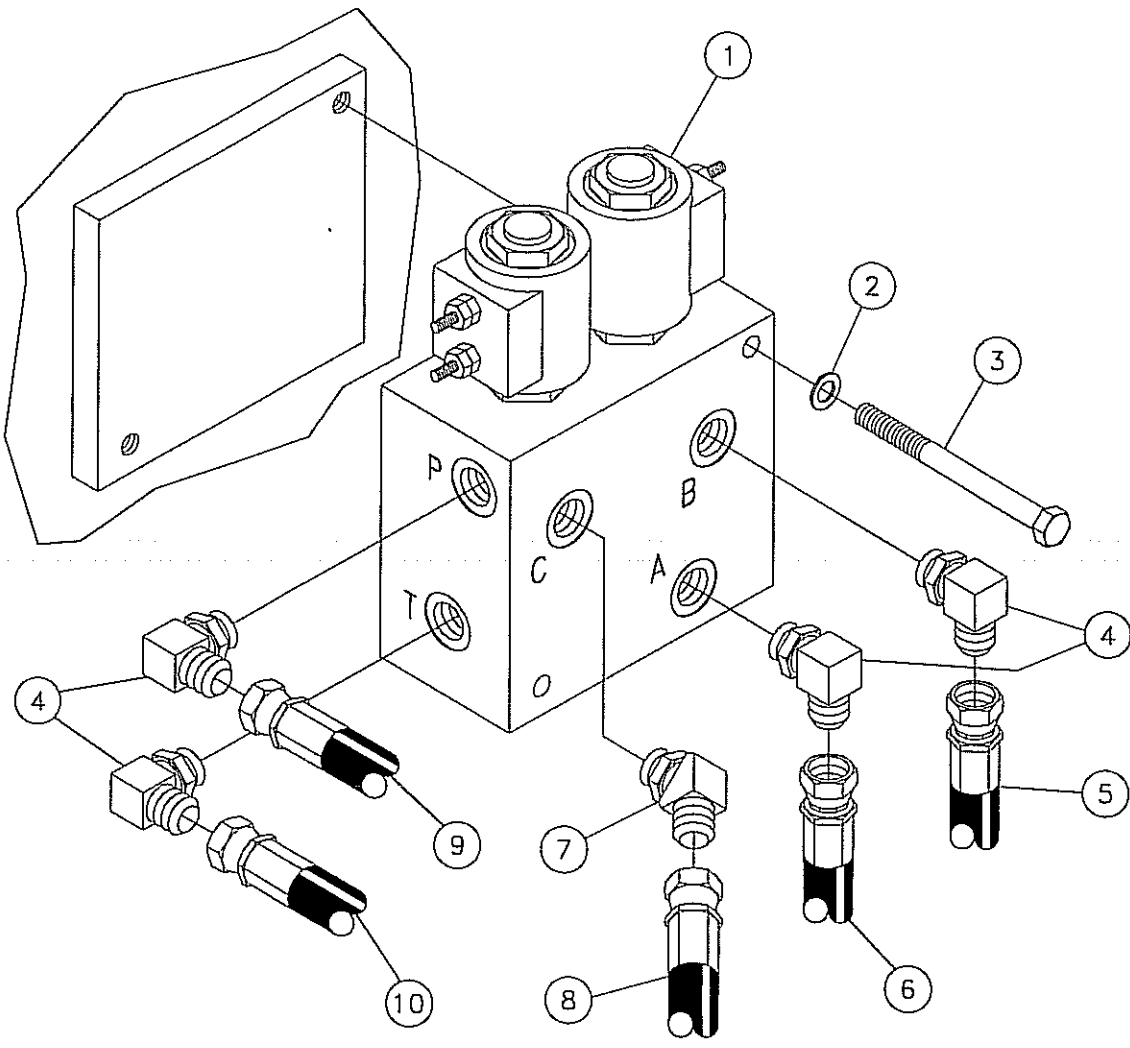


REF. NO.	PART NO.	DESCRIPTION	QTY.
6-3	1	514-014 1/2-13X1 1/2" SOCKET HEAD BOLT	4
6-3	2	228098-003 MOTOR-HYD. (BREAKDOWN FIG. 6-9)	1
6-3	3	59423-001 FIT-4M JICX4M ADJ.90 DEG.ELBOW	1
6-3	4	53871-001 #10M O-RING X 12M JIC 90	2
6-3	5	53843-743 HOSE-1/4X22 4FSJICST 6000 PSI	1
6-3	6	68707-001 FITTING-1/4MX6M JIC 90 DEG.	1
6-3	7	102115-001 FITTING-12M X 6M JIC 90 DEG.	1
6-3	8	57940-089 HOSE-3/8X78 6FS JIC (100R2)	1
6-3	9	53845-135 HOSE-3/4X76 12FS JIC (3000PSI)	2

HOE 275996-001

WATER CONTROL VALVE ASSEMBLY

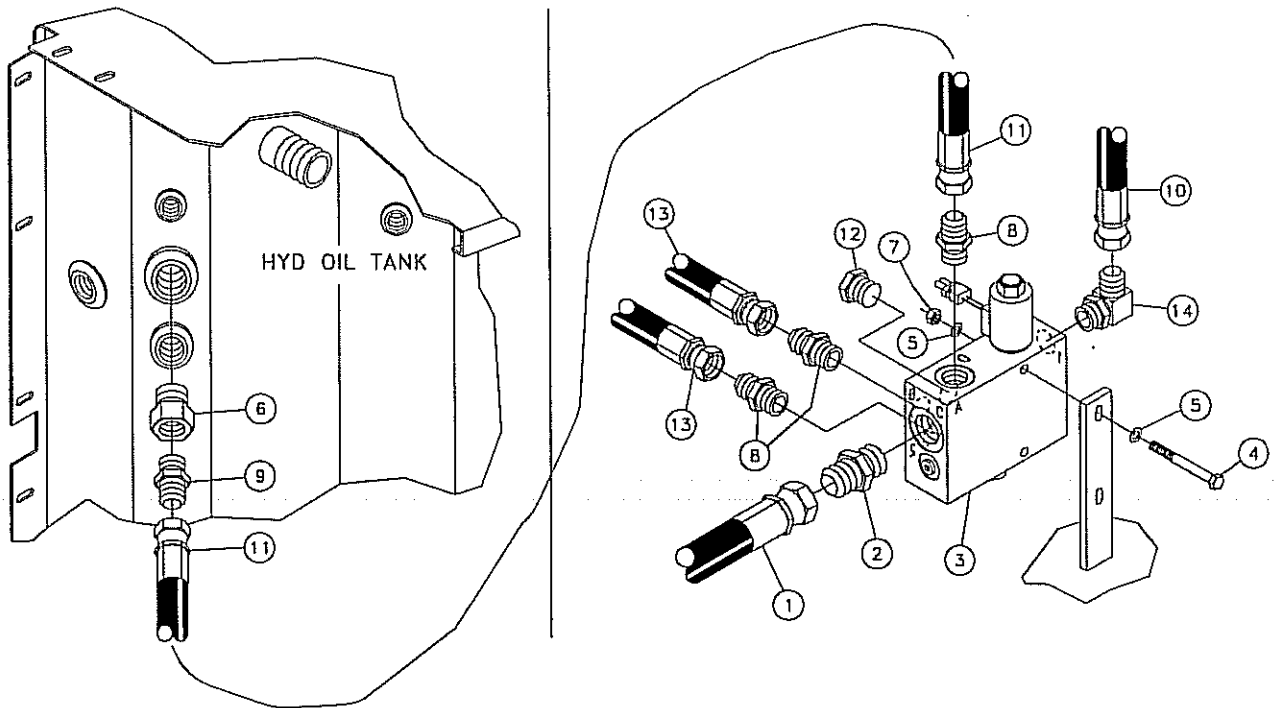
Figure 6-4



REF. NO.	PART NO.	DESCRIPTION	QTY.
6-4	1	240945-001 VALVE-2 SPEED WATER PUMP (BREAKDOWN FIG. 6-12)	1
6-4	2	235716-001 WASHER-1/4 SAE HARD ZINC PLTD	2
6-4	3	244102-001 BOLT-1/4-20X2 1/2 GR8 ZNC	2
6-4	4	59423-001 FIT-4M JICX4M ADJ.90 DEG.ELBOW	4
6-4	5	53843-701 HOSE-1/4X42 4FSST/4FS90 2750	1
6-4	6	53843-003 HOSE-1/4X36 4FS JIC (100R1)	1
6-4	7	58295-001 FITTING-4M OR X 4M JIC 45 DEG.	1
6-4	8	53843-057 HOSE-1/4X22 4FS JIC (100R1)	1
6-4	9	53843-331 HOSE-1/4X86 4FS JIC 3000 PSI	1
6-4	10	236449-001 HOSE-1/4X52 4FS JIC ST/90 3000	1

PROPORTIONAL VALVE ASSEMBLY

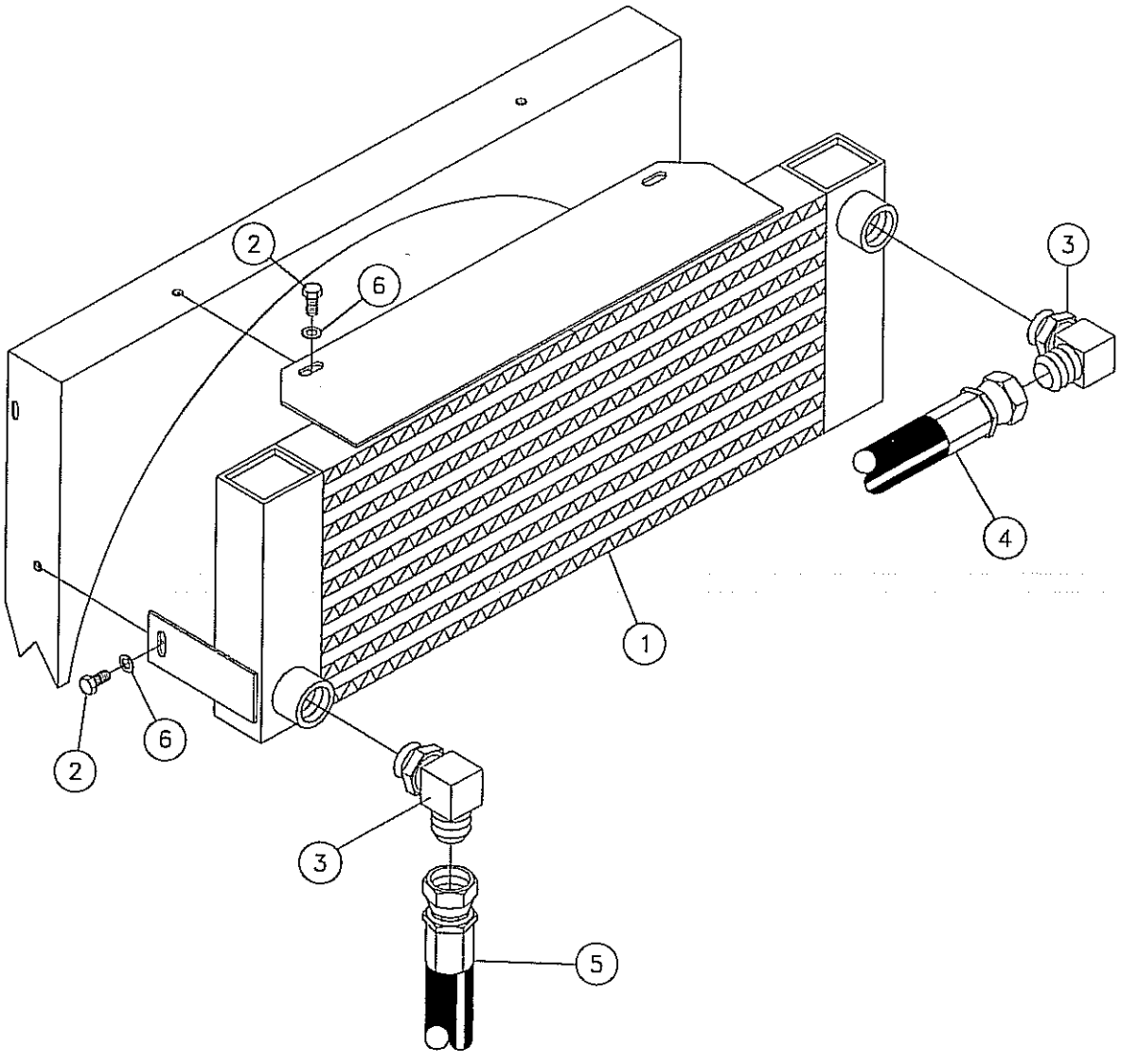
Figure 6-5



<u>REF. NO.</u>	<u>PART NO.</u>	<u>DESCRIPTION</u>	<u>QTY.</u>
6-5	1	53846-017 HOSE-1X44 16FS JIC (100R4)	1
6-5	2	60907-001 FITTING-16M JICX16M STR ADAPT	1
6-5	3	236494-001 VALVE-PROPORTIONAL FLOW (BREAKDOWN FIG. 6-11)	1
6-5	4	16114-034 BOLT-3/8-16X3 1/2 HEX HD. GR8	2
6-5	5	235713-001 WASHER-3/8 SAE HARD ZINC PLTD	4
6-5	6	71252-001 FITTING-12FX16M ADAPTER	2
6-5	7	235725-001 NUT-3/8-16 GR8 ZINC PLTD	2
6-5	8	53828-001 #12M O-RING-#12M JIC ST.	3
6-5	9	229396-001 VALVE-85 PSI INLINE CHECK	1
6-5	10	53845-303 HOSE-3/4X20 12FS JIC 3000 PSI	1
6-5	11	53845-435 HOSE-3/4X26 12FS JIC 3000 PSI	1
6-5	12	67570-001 PLUG- 12M	1
6-5	13	53845-135 HOSE-3/4X76 12FS JIC (3000PSI)	2
6-5	14	59410-001 12M JICX12M ADJ. 90 DEG.ELBOW	1

OIL COOLER ASSEMBLY

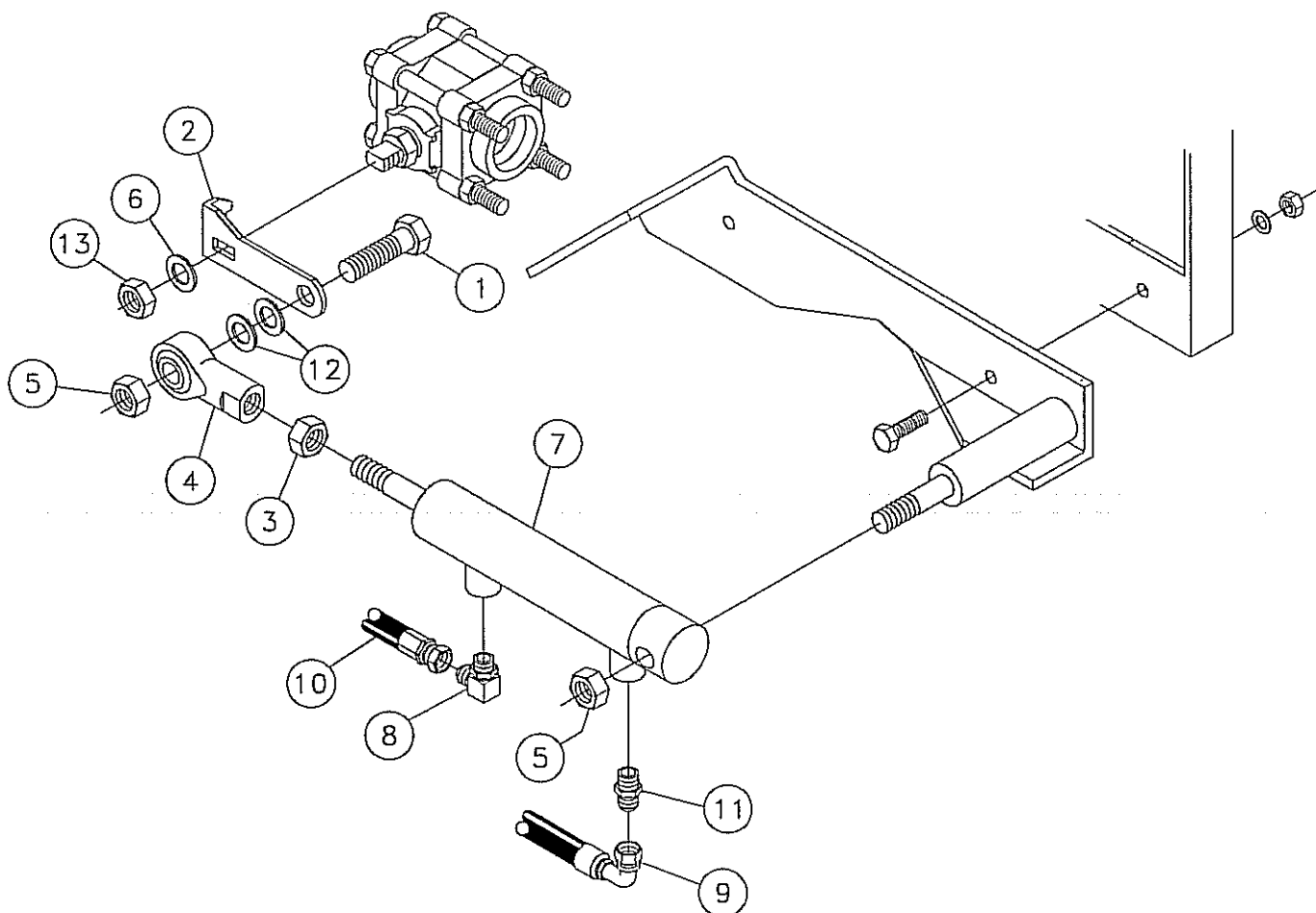
Figure 6-6



REF. NO.	PART NO.	DESCRIPTION	QTY.
6-6	1	238572-001 COOLER-HYD. OIL (663001B)	1
6-6	2	235726-001 BOLT-3/8-16X3/4 GR8 HEX ZNCPLT	4
6-6	3	61703-001 16M X 16M JIC 90	2
6-6	4	53846-249 HOSE-1X56 16FSJIC/16FSJIC 90	1
6-6	5	53846-017 HOSE-1X44 16FS JIC (100R4)	1
6-6	6	235713-001 WASHER-3/8 SAE HARD ZINC PLTD	4

WATER PUMP ON/OFF CYLINDER ASSEMBLY

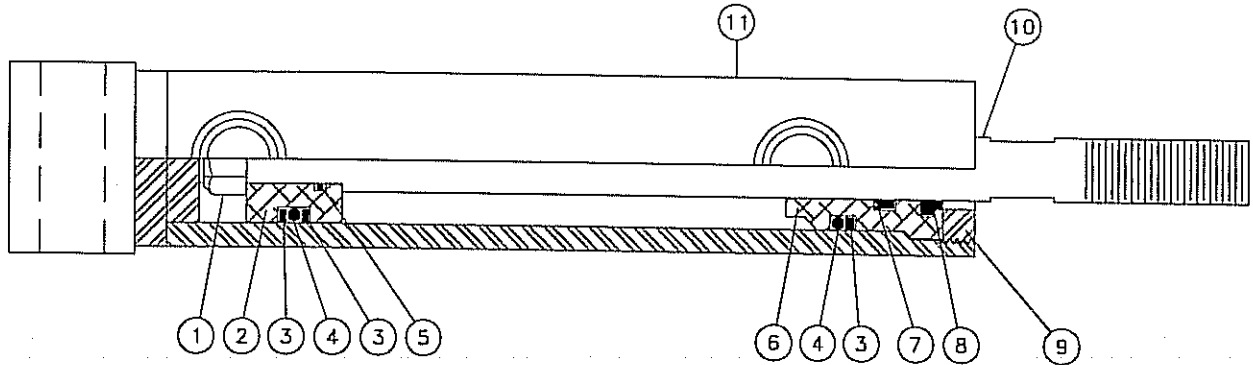
Figure 6-7



REF. NO.	PART NO.	DESCRIPTION	QTY.
6-7	1	240334-001 BOLT-1/2-13X1 3/4 GR8 ZINC PLT	1
6-7	2	245061-001 ARM-LEVER	1
6-7	3	451-001 NUT-1/2 N.F. HEX	1
6-7	4	224291-001 BALL JOINT-1/2-20 FEMALE THDS.	1
6-7	5	75382-001 NUT-1/2-UNC GRADE 8 SLTL	2
6-7	6	245079-009 STEM SPRING	1
6-7	7	234359-001 CYLINDER-1X3 1/2 (BREAKDOWN FIG. 6-8)	1
6-7	8	59423-001 FIT-4M JICX4M ADJ.90 DEG.ELBOW	1
6-7	9	53843-701 HOSE-1/4X42 4FSS7/4FS90 2750	1
6-7	10	53843-003 HOSE-1/4X36 4FS JIC (100R1)	1
6-7	11	245007-001 FITTING-4M ORING X4MJIC R.063	1
6-7	12	485-025 WASHER-1/2 FLAT-HARDENED-ZINC	2
6-7	13	245079-003 STEM NUT	1

HYDRAULIC CYLINDER COMPONENTS - 1" X 3 1/2"

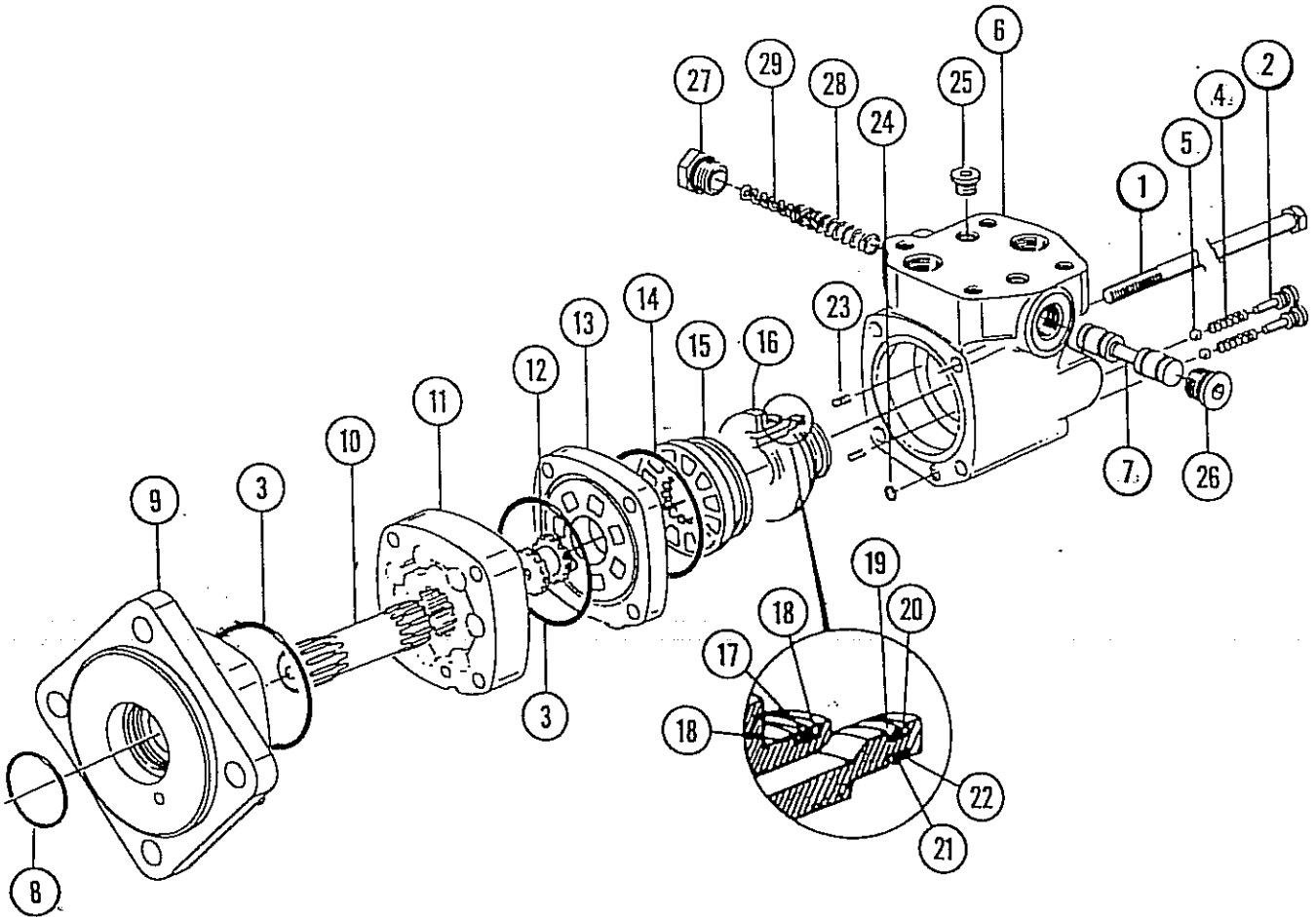
Figure 6-8



<u>REF. NO.</u>	<u>PART NO.</u>	<u>DESCRIPTION</u>	<u>QTY.</u>
6-8	1	234359-003 NUT	1
6-8	2	234359-005 PISTON	1
6-8	3	68094-057 WASHER-BACK-UP	3
6-8	4	68094-055 O-RING	2
6-8	5	1749-025 SEAL-O RING	1
6-8	6	234359-007 HEAD	1
6-8	7	234359-009 SEAL-ROD	1
6-8	8	234359-011 SEAL-DUST	1
6-8	9	234359-013 COLLAR	1
6-8	10	234359-015 SHAFT	1
6-8	11	234359-017 BARREL (W/CLEVIS AND PORTS)	1
	234359-001	CYLINDER-1X3 1/2 (INC. REF. 1-11)	
	234359-019	REPAIR KIT (INC. REF. 3, 4, 5, 7 & 8)	

HYDRAULIC MOTOR COMPONENTS

Figure 6-9

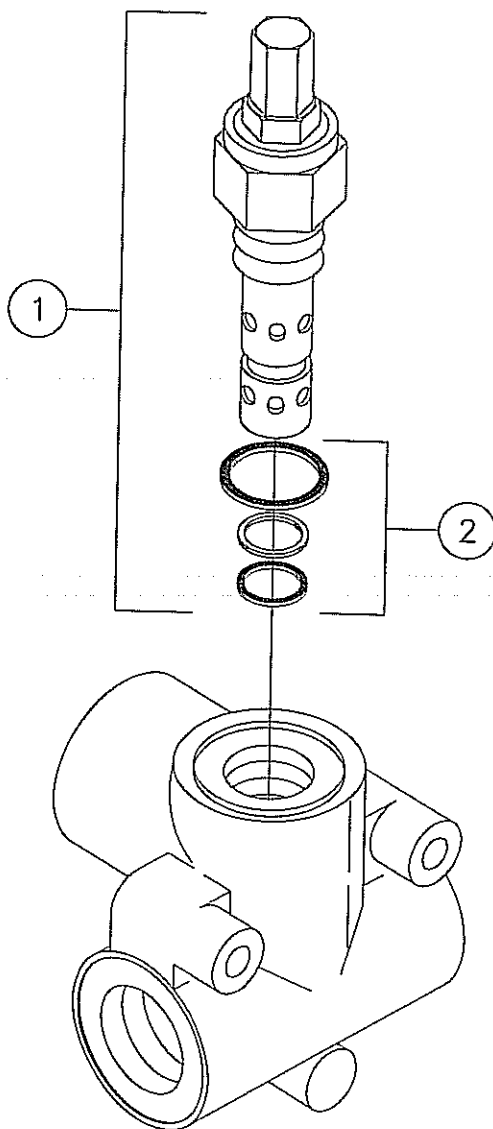


REF. NO.	PART NO.	DESCRIPTION	QTY.	REF. NO.	PART NO.	DESCRIPTION	QTY.
6-9	1	771-017 BOLT	4	6-9	20	201666-027 RING-BACKUP	1
6-9	2	4485-015 CHECK PLUG ASSY	2	6-9	21	201666-017 O-RING	1
		4485-011 O-RING)		6-9	22	201666-019 RING-BACKUP	1
6-9	3	770-007 SEAL-O RING	2	6-9	23	770-039 SPRING	2
6-9	4	770-051 SPRING	2	6-9	24	1749-025 SEAL-O RING	1
6-9	5	770-049 BALL	2	6-9	25	4485-021 PLUG ASSY	1
6-9	6	201666-029 HOUSING ASSY	1			4485-023 O-RING	1
6-9	7	201666-043 SPOOL-CONTROL	1	6-9	26	66845-001 PLUG ASSY	1
6-9	8	221557-007 SEAL-O-RING	1			4343-031 O-RING	1
6-9	9	221557-009 FLANGE-MOUNTING (BEARING LESS)	1	6-9	27	201666-035 PLUG ASSY	1
6-9	10	770-081 DRIVE	1			4343-031 O-RING	1
6-9	11	NSS GEROLER ASSY.	1	6-9	28	201666-041 SPRING-COMPRESSION	1
6-9	12	774-011 DRIVE-VALVE	1	6-9	29	201666-039 SPRING-COMPRESSION	1
6-9	13	201666-007 PLATE-VALVE	1			228098-003 MOTOR-HYD. (INC. REF. 1-29)	
6-9	14	201666-009 SEAL	1			221557-003 REPAIR KIT (INC. REF. 3, 8, 14, 17-22 & 25-27)	
6-9	15	220749-003 VALVE	1				
6-9	16	201666-013 RING ASSY-BALANCING	1				
		201666-015 PIN-SPRING	2				
6-9	17	201666-023 O-RING	1				
6-9	18	201666-021 RING-BACKUP	2				
6-9	19	201666-025 O-RING	1				

NOTE: WHEN ORDERING REPLACEMENT PARTS INCLUDE PRODUCT NO. 106-2005-001 WITH ORDER.

INLINE RELIEF VALVE COMPONENTS

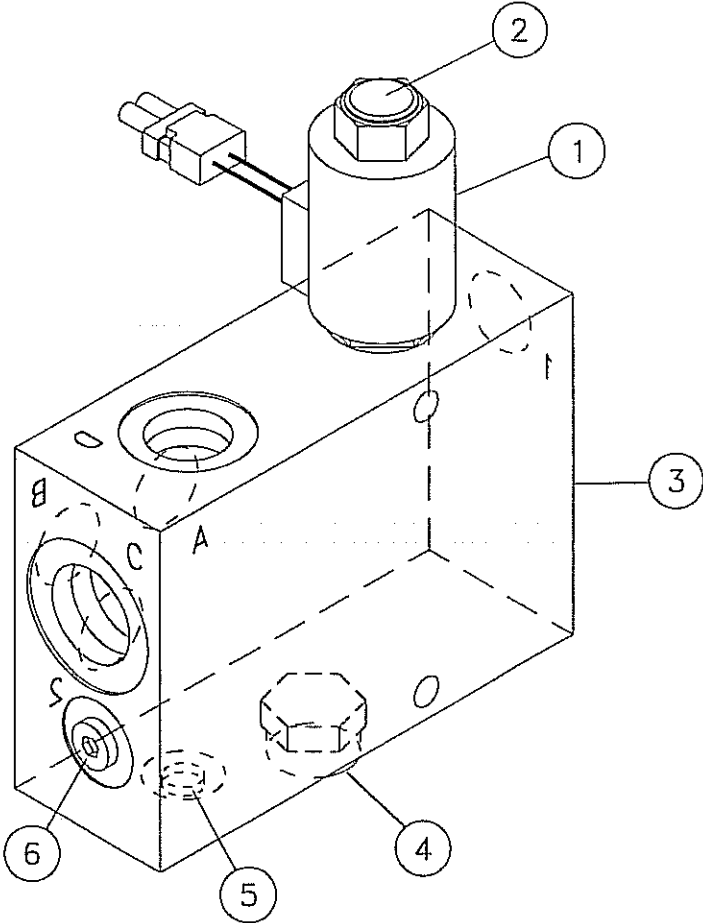
Figure 6-10



<u>REF. NO.</u>	<u>PART NO.</u>	<u>DESCRIPTION</u>	<u>QTY.</u>
6-10	1	228266-003 CARTRIDGE-2000 PSI RELIEF	1
		228251-003 CARTRIDGE-2500 PSI RELIEF	1
		228252-003 CARTRIDGE -3000 PSI RELIEF	1
6-10	2	213758-017 SEAL KIT-RELIEF (INC. INTERNAL & EXTERNAL SEALS)	1
		228251-001 VALVE-2500 PSI RELIEF (INC. BODY & REF. 1)	

PROPORTIONAL VALVE COMPONENTS

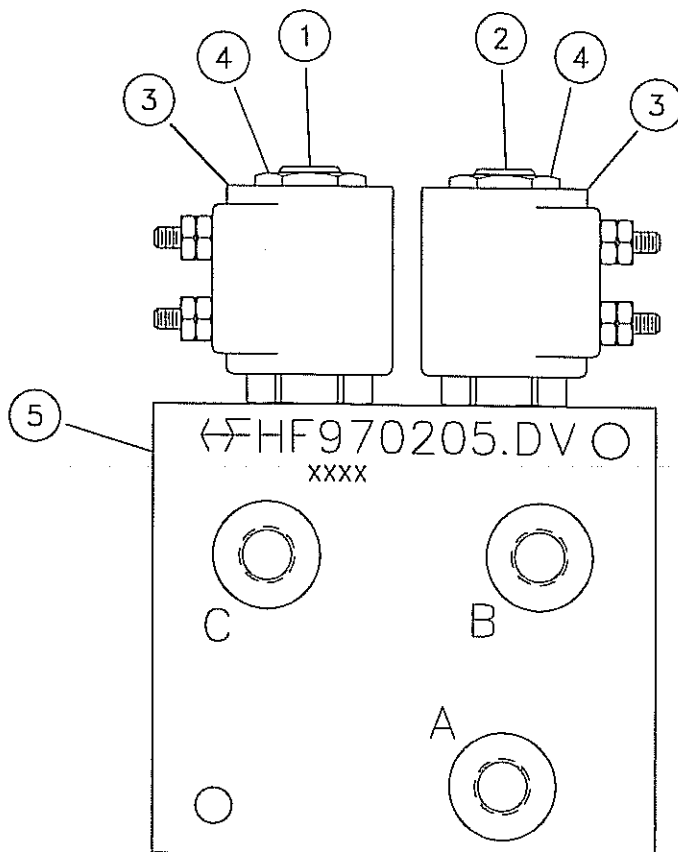
Figure 6-11



<u>REF. NO.</u>	<u>PART NO.</u>	<u>DESCRIPTION</u>	<u>QTY.</u>
6-11	1	236494-003 COIL	1
6-11	2	228096-005 PV VALVE ASSY	1
		228096-007 SEAL KIT	
6-11	3	N/A BODY	1
6-11	4	228096-011 COMPENSATOR ASSY	1
		228096-013 SEAL KIT	
6-11	5	500659-021 SAE PLUG	1
		228128-015 SEAL KIT	
6-11	6	236494-005 PLUG-SAE	4
		236494-007 SEAL KIT	
	236494-001	VALVE-PROPORTIONAL FLOW (INC. ALL ITEMS IN THIS FIGURE)	

SOLENOID VALVE COMPONENTS

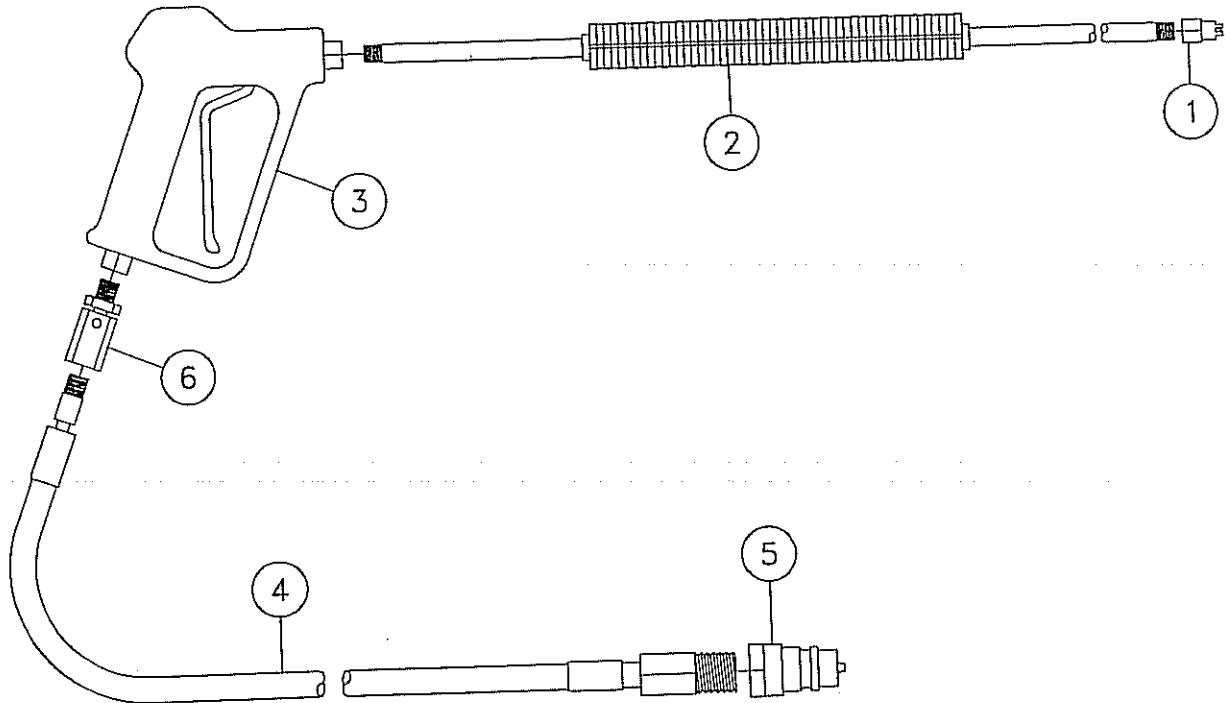
Figure 6-12



REF. NO.	PART NO.	DESCRIPTION	QTY.
6-12	1	228124-017 CARTRIDGE-SOLENOID	1
		110467-003 SEAL KIT	
6-12	2	234863-005 CARTRIDGE	1
		236409-003 SEAL KIT	
6-12	3	240941-003 COIL	2
6-12	4	224886-007 NUT-COIL	2
6-12	5	NSS BODY	1
	240945-001	VALVE-WATER CONTROL (INC. REF. 1-4)	
	NSS	NOT SOLD SEPARATELY	

WAND ASSEMBLY

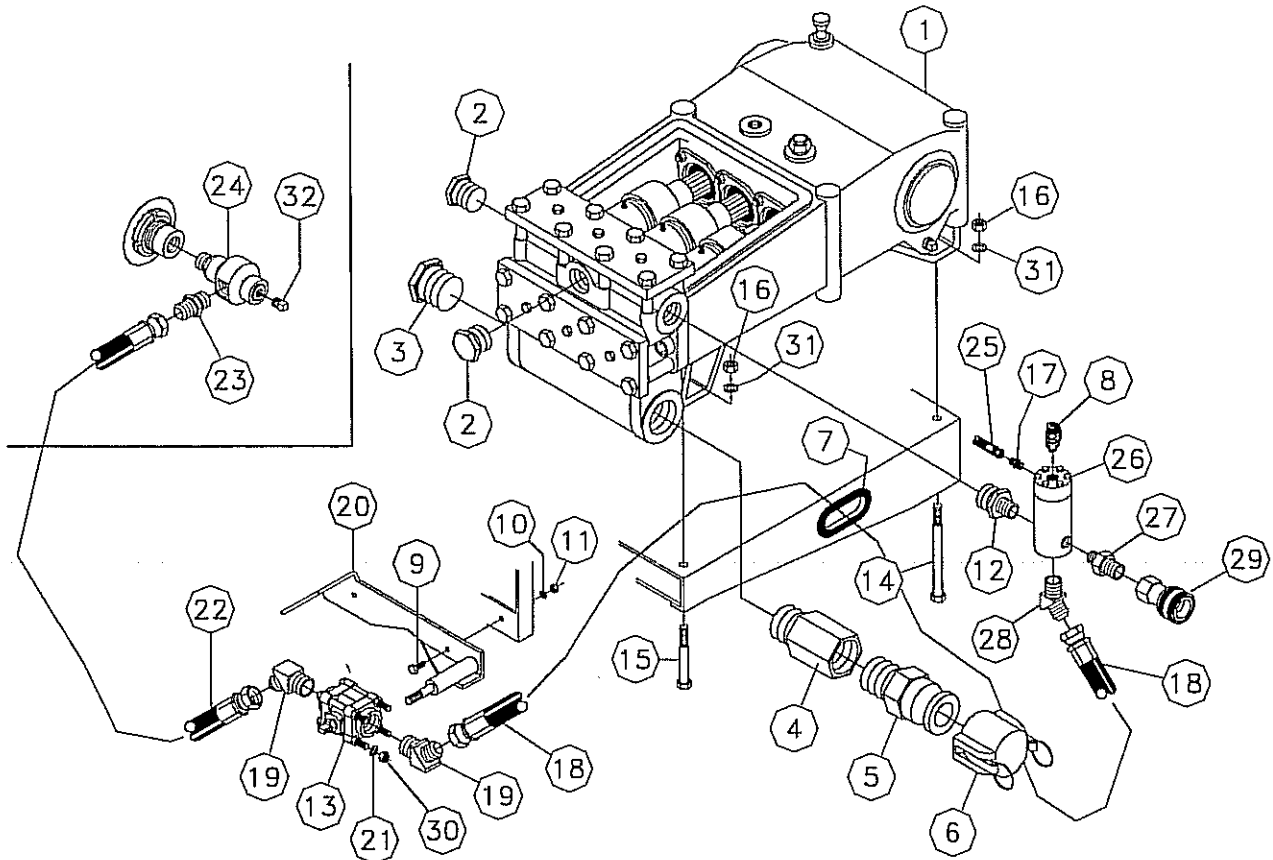
Figure 7-1



<u>REF. NO.</u>	<u>PART NO.</u>	<u>DESCRIPTION</u>	<u>QTY.</u>
7-1	1	904576-001 SPRAY NOZZLE	1
7-1	2	904577-001 MOLDED LANCE	1
7-1	3	904578-001 GUN HANDLE	1
7-1	4	614-027 HOSE-1/2X300 3/8MNPT 3000#	1
7-1	5	221511-001 COUPLER-3/4 NPT QUICK (MALE)	1
7-1	6	235967-001 FITTING-3/8MNPT X3/8FNPT SWVL	1
		235777-001 WAND ASSEMBLY (INC. REF. 1-6)	

WATER PUMP ASSEMBLY

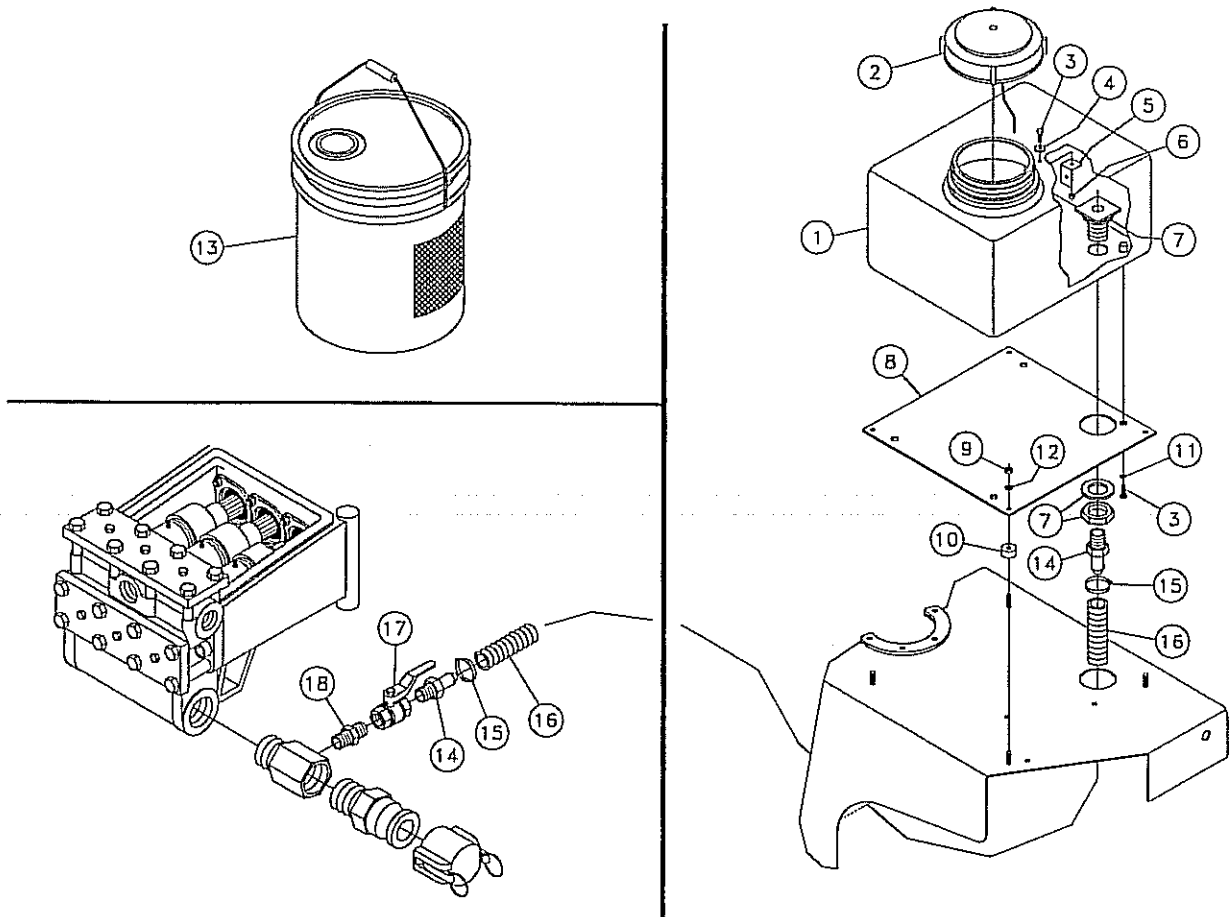
Figure 7-2



REF. NO.	PART NO.	DESCRIPTION	QTY.	REF. NO.	PART NO.	DESCRIPTION	QTY.		
7-2	1	224904-005	PUMP-WATER (BREAKDOWN FIG. 7-4)	1	7-2	18	53845-573	HOSE-3/4X33 12FS JIC 3000 PSI	1
7-2	2	120885-001	FITTING-1 1/4 NPT PIPE PLUG	2	7-2	19	100849-001	FITTING-1MNPTX12MJIC 45 DEG.	2
7-2	3	732-019	2" PIPE PLUG BLACK	1	7-2	20	245074-001	SUPPORT-BALL VALVE	1
7-2	4	236472-001	FITTING-2"MX3/4"FX2" F NPT TEE	1	7-2	21	235713-001	WASHER-3/8 SAE HARD ZINC PLTD	4
7-2	5	224940-001	COUPLING-2" MPT X2" M CAM LOCK	1	7-2	22	53845-339	HOSE-1/4X156 12FS JIC 3000 PSI	1
7-2	6	224941-001	CAP-2" CAM LOCK	1	7-2	23	60718-001	12M JICX12M ADJ.45 DEG.EL	1
7-2	7	212522-001	TRIM-1/4 EDGE (SPECIFY LENGTH)	A/R	7-2	24	230813-001	SWIVEL-12M X 12F	1
7-2	8	75493-001	COUPLER-MALE TCM20-7/16"UNF-V	1	7-2	25	224904-007	REPAIR KIT (INC. O-RINGS & SEALS)	1
7-2	9	238209-001	BOLT-5/16-18X1 GR8 HEX ZINC YC	2	7-2	26	53843-721	HOSE-1/4X206 4FS.JICST 3000PSI	1
7-2	10	235714-001	WASHER-5/16 SAE HARD ZINC PLTD	2	7-2	27	250611-001	MANIFOLD ASSY.-WATER PRESSURE (BREAKDOWN FIG. 7-7)	1
7-2	11	235741-001	NUT-5/16-18 GR8 ZINC PLTD	2	7-2	28	111483-001	FITTING-3/4MNPTX1/2MNPT NIPPLE	1
7-2	12	120886-001	FITTING-PIPE COUPLING NPT	1	7-2	29	53666-001	3/4M PIPE-#12M JIC 45 DEG.	1
7-2	13	245079-001	VALVE-1" HIGH PRESS STL BALL (BREAKDOWN FIG. 7-5)	1	7-2	30	221512-001	COUPLER-3/4 NPT QUICK (FEMALE)	1
7-2	14	238240-001	BOLT 1/2"-13X5 1/2" GR8 HEX Y	2	7-2	31	250508-001	NUT-3/8-NC GR8 TOP LOCK Y/ZINC	4
7-2	15	238241-001	BOLT 1/2"-13X 3 1/2" GR8 HEX Y	2	7-2	32	485-025	WASHER-1/2 FLAT-HARDENED-ZINC	4
7-2	16	235731-001	NUT-1/2-13 GR8 ZINC PLTD	4			732-005	3/8" PIPE PLUG BLACK STEEL	1
7-2	17	60908-001	FITTING-4MX4M JIC STR ADAPTER	1					

ANTI-FREEZE SYSTEM ASSEMBLY

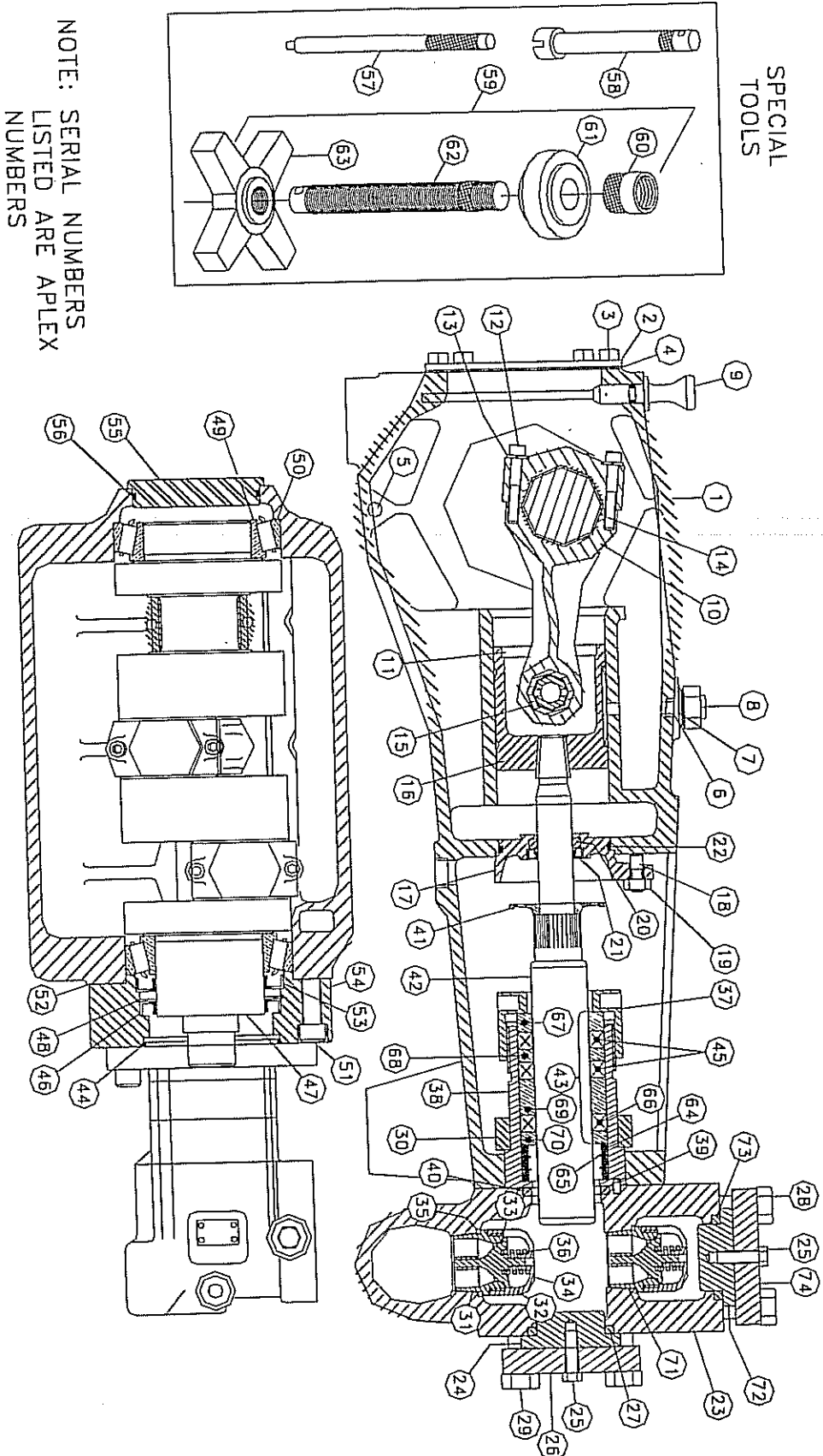
Figure 7-3



REF. NO.	PART NO.	DESCRIPTION	QTY.	REF. NO.	PART NO.	DESCRIPTION	QTY.
7-3	1	236466-001 TANK-6 GALLON POLY (INC. REF. 2-7)	1	7-3	12	235714-001 WASHER-5/16 SAE HARD ZINC PLTD	4
7-3	2	236466-003 LID-TANK W/ STRING	1	7-3	13	210779-001 NAVIGATOR FREEZE GUARD (SHOWN) (5 GALLON)	1
7-3	3	235734-001 BOLT-1/4-20X3/4 GR8 ZINC PLTD	5			70000-675 DECAL-NAV. FREEZE GUARD (5 GAL)	1
7-3	4	236466-005 WASHER-1/4" SEAL	1			210779-005 NAVIGATOR FREEZE GUARD (55 GAL)	1
7-3	5	236466-007 CLIP	1			7000A-027 DECAL-NAV FREEZE GUARD (55 GAL)	1
7-3	6	235732-001 NUT-1/4-20 GR8 ZINC PLTD	1	7-3	14	905437-001 FITTING-3/4X1 BARB ST.NYLON	2
7-3	7	904062-005 3/4" BUNG	1	7-3	15	1580-003 HOSE CLAMP - 3/4"	2
7-3	8	236471-001 PLATE-TANK MOUNT	1	7-3	16	244288-001 HOSE-SUCTION	1
7-3	9	235741-001 NUT-5/16-18 GR8 ZINC PLTD	4	7-3	17	3379-001 VALVE - 3/4" BALL - #101R NPT	1
7-3	10	244251-001 DISC-RUBBER SPACER	4	7-3	18	707-007 NIPPLE-3/4 HEX	1
7-3	11	235716-001 WASHER-1/4 SAE HARD ZINC PLTD	4				

WATER PUMP COMPONENTS

Figure 7-4



NOTE: SERIAL NUMBERS LISTED ARE APLEX NUMBERS

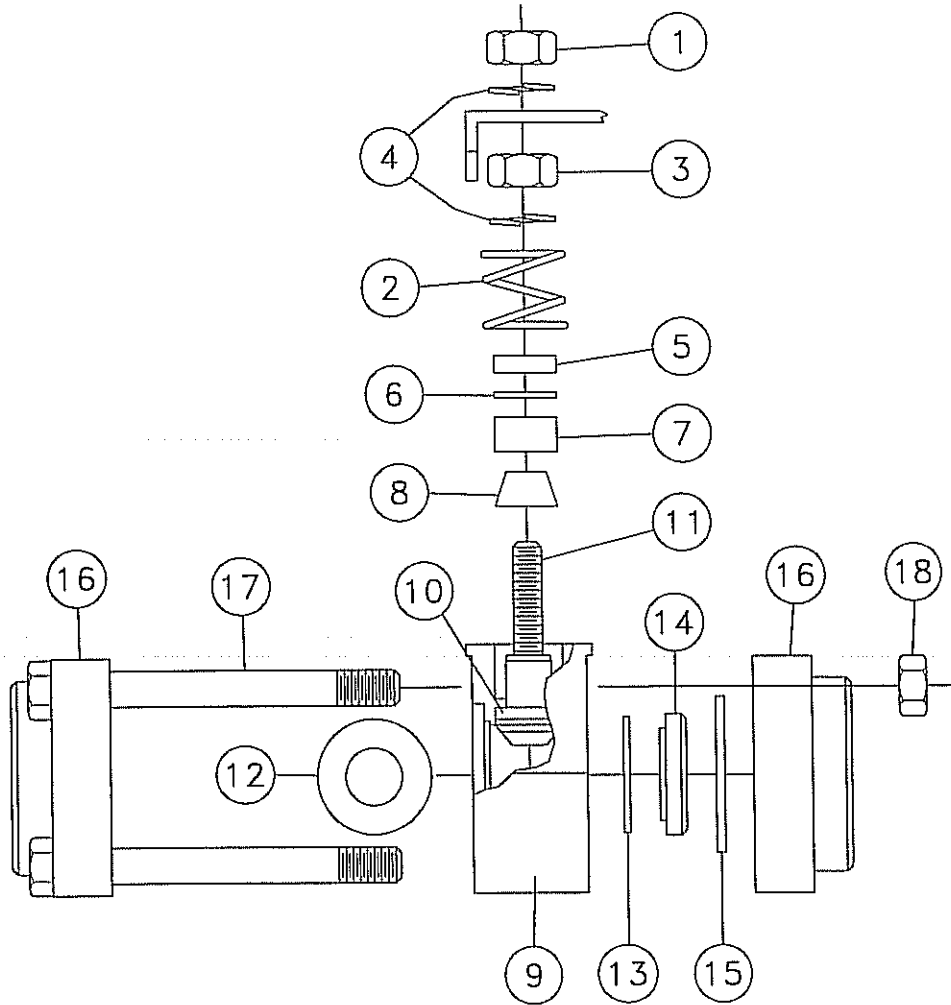
WATER PUMP COMPONENTS

Figure 7-4

REF. NO.	PART NO.	DESCRIPTION	QTY.	REF. NO.	PART NO.	DESCRIPTION	QTY.
7-4	1	220741-003 POWER FRAME (PUMP WDIPSTICK) (SN#0-999)	1	7-4	44	220741-125 O-RING NITRILE	1
		228098-005 POWERFRAMEW/ DIPSTICK (SN#1000 UP)	1	7-4	45	224662-009 TWO STYLE 141 PACKING	6
7-4	2	220741-007 CRANKCASE COVER	1	7-4	46	220741-123 OIL SEAL (SN#0-999)	1
7-4	3	220741-009 3/8-16X5/8 HHCS	8			228098-023 OIL SEAL (SN#1000-1050)	1
7-4	4	220741-011 GASKET-CRANKCASE COVER	1	7-4	47	228098-025 OIL SEAL (SN#1051 UP)	1
7-4	5	220741-013 1/4" NPT PLUG-SQUARE HEAD	2			220741-107 CRANKSHAFT (SN#0-999) SPLINED	1
7-4	6	220741-015 1/8" NPT PLUG-SOCKET HEAD	3			241000-001 CRANKSHAFT-KEYED (SN#0-999)	1
7-4	7	220741-017 1/2" NPT PLUG-SOCKET HEAD	1			228098-009 CRANKSHAFT (SN#1000-1050)	1
7-4	8	220741-019 BREATHER-CRANKCASE 3/4M NPT	1	7-4	48	228098-011 CRANKSHAFT (SN#1051 UP)	1
7-4	9	220741-021 OIL LEVEL DIPSTICK	1			220741-109 RETAINING RING-SPIRAL (SN#0-1050)	1
7-4	9	220741-023 O-RING 2-023	1	7-4	49	N/R NOT REQUIRED (SN#1051 UP)	
7-4	10	220741-025 CONNECTING ROD (INC. REF. 11, 12 & 13)	3			220741-111 BEAR CONE (SN #0-999) (INC CUP)	2
7-4	11	220741-027 WRIST PIN BUSHING	3	7-4	50	228098-013 CONE (SN#1000 UP)	2
7-4	12	220741-029 5/16-18X2" SOCKET HD CAP SCREW	6			NSS BEARING UP)SN #0-999)	2
7-4	13	220741-031 5/16" LOCKWASHER	6	7-4	51	228098-015 CUP (SN #1000 UP)	1
7-4	14	220741-033 CRANK PIN BEARING HALF(2 PCS)	6	7-4	52	55419-001 SCREW-1/2-13X2 SOCKET HEAD CAP	6
7-4	15	220741-035 WRIST PIN	3	7-4	53	220741-113 SHIM SET	1
7-4	16	220741-037 CROSSHEAD	3	7-4	54	220741-115 OIL SEAL	2
7-4	17	220741-039 WIPER BOX	3			220741-117 BRNG RETAINER/MOTOR ADAPTER (SN#0-999)	1
7-4	18	220741-041 STUD-3/8"-16X1 5/8"	6			228098-017 BRNG RET/MOTOR ADAPTER (SN#1000-1050)	1
7-4	19	220741-043 3/18" - 16 HEX NUT	6			228098-019 BRNG RET/MOTOR ADAPTER (SN #1051 UP)	1
7-4	20	220741-045 POLYPAK RING	3	7-4	55	220741-119 FRAME PLUG	1
7-4	21	220741-047 OIL SEAL (SN#0-999)	3	7-4	56	220741-121 O-RING	1
		22808-8-021 OIL SEAL (SN#1000-1050)	3	7-4	57	224726-001 WRENCH-GLAND	1
		228098-025 OIL SEAL (SN#1051 UP)	3	7-4	58	224727-001 WRENCH-CAGE	1
7-4	22	220741-049 O-RING	3	7-4	59	224894-001 SEAT PULLER COMPLETE (INC. REF. 60-63)	1
7-4	23	251787-001 FLUID END BODY ASSY. (SN#0-2999) (INC. ONE OF REF. 74 & THREE OF 71-73)	1	7-4	60	224890-001 PULLER HEAD	1
		248821-001 BODY-FLUID END (SN#3000 UP)	1	7-4	61	224891-001 BRIDGE	1
		220741-053 3/4"-10X2 SOCKET HD CAP SCREW	2	7-4	62	224892-001 STEM PULLER	1
7-4	24	220741-055 VALVE COVER&CYL HD PLUG	3	7-4	63	224893-001 WING NUT	1
7-4	25	220741-057 3/8-16X1 1/4" HHCS	6	7-4	64	224952-005 ELASTOMER SPRG-2 1/2X2 13/64	9
7-4	26	220741-059 RETAINER PLATE	1	7-4	65	224952-003 SPACER-2 15/32X2-1/16 (ALUM)	6
7-4	27	220741-061 FLUID SEAL-NITRILE RUBBER	3	7-4	66	224662-005 STYLE 140 PACKING	3
7-4	28	220741-063 5/8-11X3 1/2" HHCS	8	7-4	67	224662-013 GLAND RING-BRONZE	3
7-4	29	220741-065 5/8-11X7 1/2" HHCS	8	7-4	68	224662-011 SPACER-BRONZE	3
7-4	30	220741-067 STUFFING BOX RETAINER PLATE	3	7-4	69	224662-007 SPACER-BRONZE	3
		220741-069 3/8-16 X 1 1/2" HHCS	6	7-4	70	224662-003 SPRING ADAPTER-BRONZE	3
7-4	31	220741-071 VALVE SEAT-HARDENED SS	3	7-4	71	220741-071 VALVE SEAT HARDENED SS (SN#0-2999)	3
7-4	32	220741-073 DOUBLE STEM VALVE-SS	6	7-4	72	248822-001 VALVE SEAT (SN#3000 UP)	3
7-4	33	220741-075 O-RING-POLYURETHANE (SIZE 024)	6			220741-055 VALVE COVER & CYL HD PLUG (SN#0-2999)	3
7-4	34	220741-077 GUIDE CAGE-STAINLESS STEEL	6			224408-109 VALVE COVER & CYL HYD PLUG (SN#3000)	3
7-4	35	220741-079 O-RING NITRILE RUBBER(SIZE029)	6	7-4	73	220741-061 FLUID SEAL-NITRILE RUBBER (SN#0-2999)	3
7-4	36	220741-081 VALVE SPRING-1 9/16 FREE LGTH	6			224408-131 SEAL-STUFFING BOX RUBBER (SN #3000 UP)	3
7-4	37	220741-083 GLAND-PLUNGER	3			220741-059 RETAINER PLATE (SN #0-2999)	1
7-4	38	220741-085 STUFFING BOX-PLUNGER	3	7-4	74	248823-001 RETAINER-VALVE COVER (SN#3000 UP)	1
7-4	39	220741-087 ROLL PIN-1/4X5/8	3			224904-005 PUMP-WATER (INC. REF. 1-56, 64-74)	
7-4	40	220741-089 SEAL-STUFFING BOX	3				
7-4	41	220741-091 BAFFLE PLATE-LOW TEMP. RUBBER	3				
7-4	42	220741-093 PLUNGER-1 3/4" DIA.	3				
7-4	43	224662-001 HI/LOW PACKING	3				

BALL VALVE COMPONENTS - 1" HIGH PRESSURE

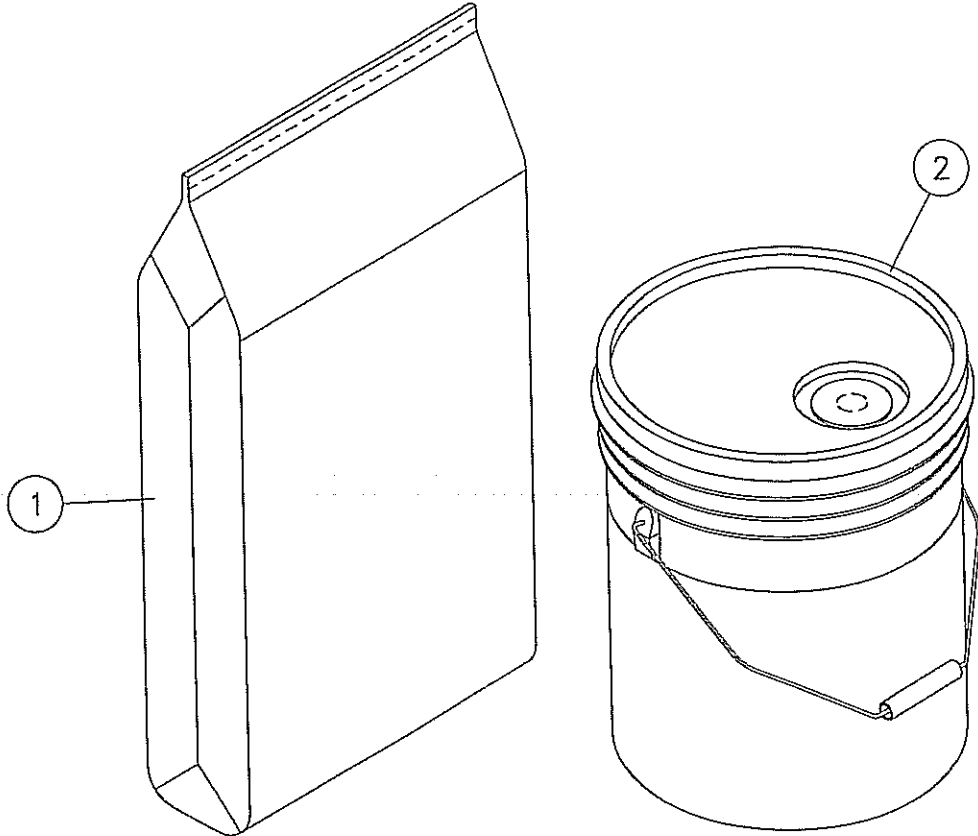
Figure 7-5



REF. NO.	PART NO.	DESCRIPTION	QTY.
7-5	1	245079-003 STEM NUT	1
7-5	2	245079-005 GROUNDING SPRING	1
7-5	3	245079-007 STEM NUT	1
7-5	4	245079-009 STEM SPRING	2
7-5	5	245079-011 GLAND	1
7-5	6	245079-013 PACKING SUPPORT	1
7-5	7	245079-015 TOP PACKING	1
7-5	8	245079-017 BOTTOM PACKING	1
7-5	9	245079-019 CENTER BODY	1
7-5	10	245079-021 STEM BEARING	2
7-5	11	245079-023 STEM	1
7-5	12	245079-025 BALL	1
7-5	13	245079-027 SUPPORT RING	2
7-5	14	245079-029 SEAT/SEAT SPRING	2
7-5	15	245079-031 O-RING	2
7-5	16	245079-033 FLANGE	2
7-5	17	245079-035 BODY STUD	4
7-5	18	245079-037 BODY NUT	8
	245079-039	KIT-MAINTENANCE (INC. REF. 4-6, 10 & 16)	
	245079-001	VALVE-1" HIGH PRESS STL BALL	

DRILL FLUID

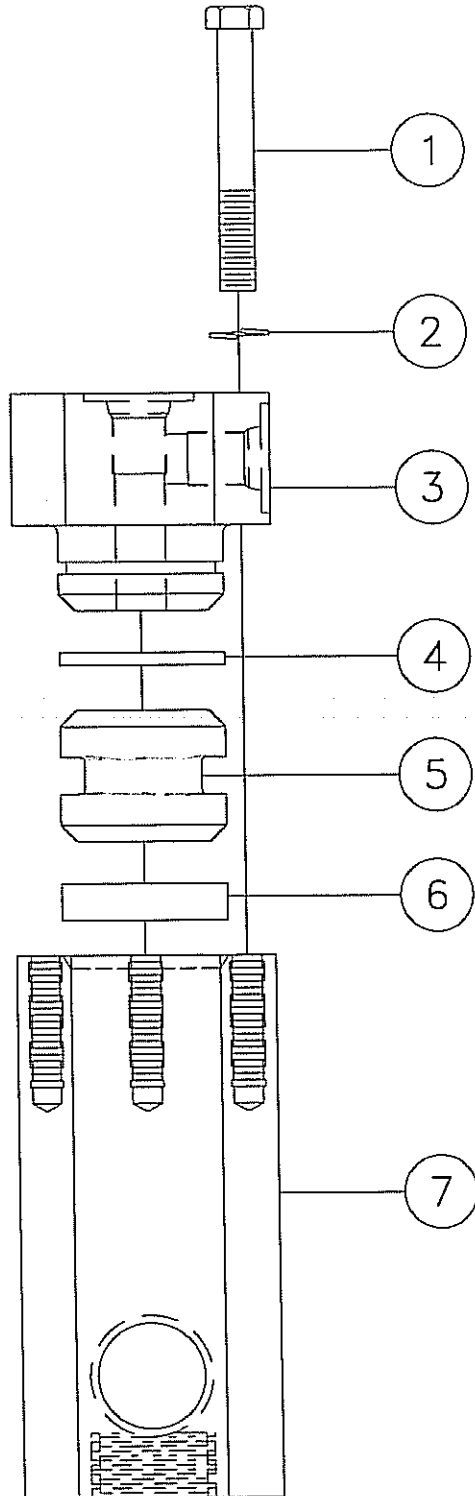
Figure 7-6



<u>REF. NO.</u>	<u>PART NO.</u>	<u>DESCRIPTION</u>	<u>QTY.</u>
7-6	1	904882-001 50LBS BAG QUICK GELL BENTONITE	1
		123596-001 BORE-GEL (50 LB BAG)	1
7-6	2	905216-001 POLYMER	1
		123595-001 EZ-MUD - 5 GALLON	1

WATER PRESSURE MANIFOLD COMPONENTS

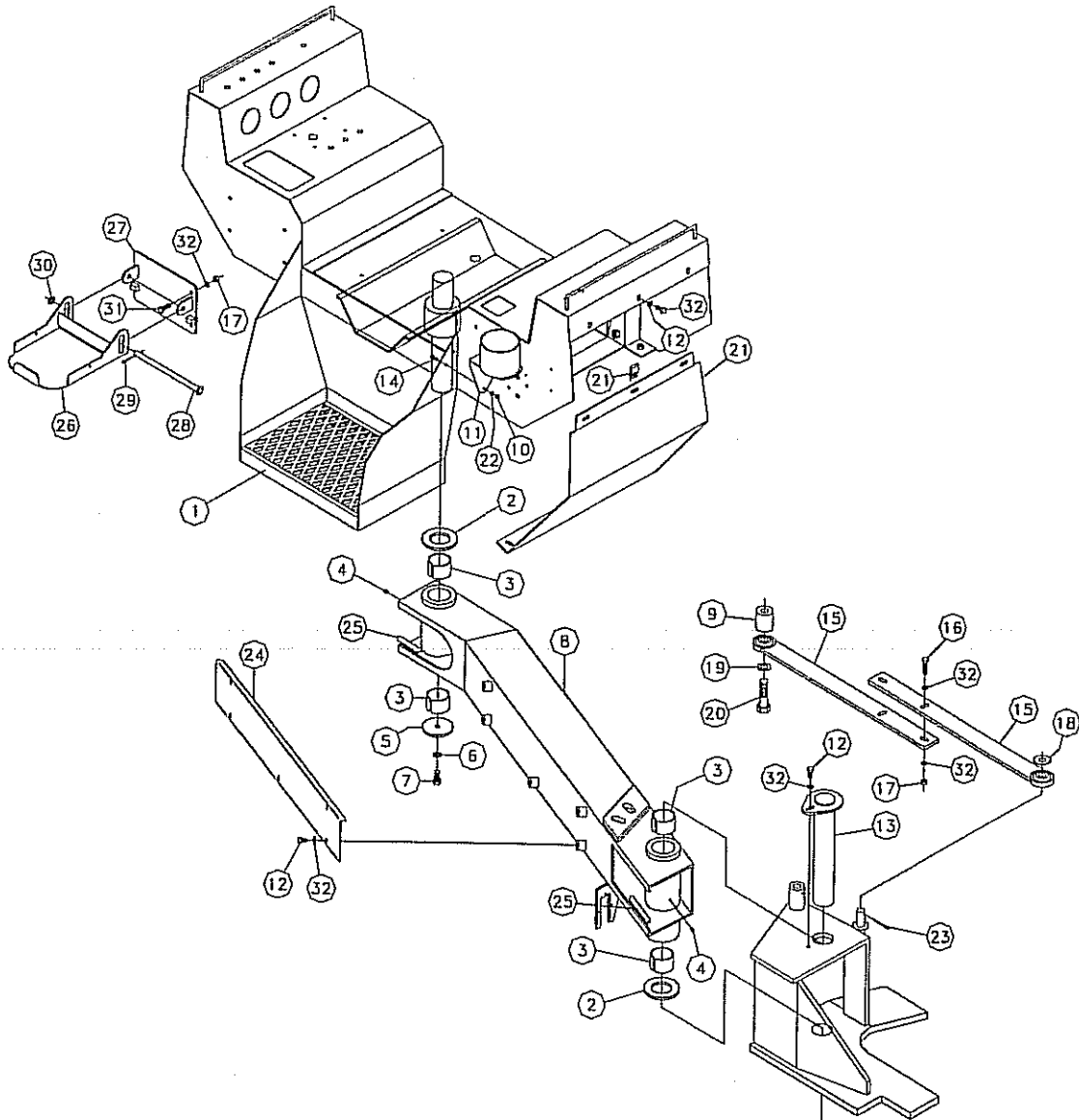
Figure 7-7



<u>REF. NO.</u>	<u>PART NO.</u>	<u>DESCRIPTION</u>	<u>QTY.</u>
7-7	1	250531-001 BOLT-1/4-20 X 2 GR8 HEX Y/ZINC	6
7-7	2	480-003 WASHER-1/4 S/T LOCK	6
7-7	3	238138-001 END CAP-MANIFOLD	1
7-7	4	234818-001 O-RING 1.254OD X1.114ID-.070	1
7-7	5	238139-001 PISTON INSERT-MANIFOLD	1
7-7	6	250612-001 O-RING	1
7-7	7	238137-001 FITTING-WATER PRESSURE MANIFOLD	1
	250611-001	MANIFOLD ASSEMBLY-WATER PRESSURE (INC. ALL ITEMS IN THIS FIGURE)	

CONTROL CONSOLE ASSEMBLY

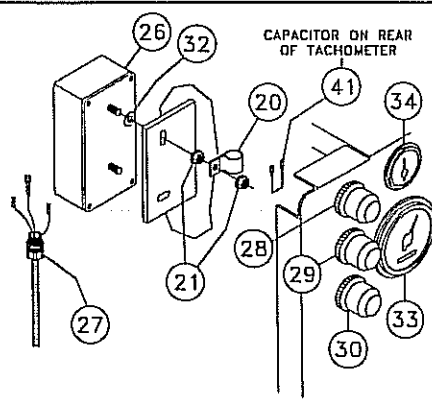
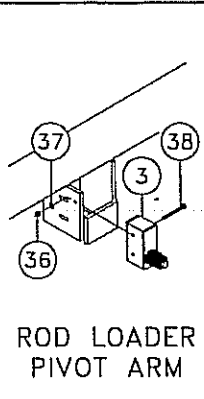
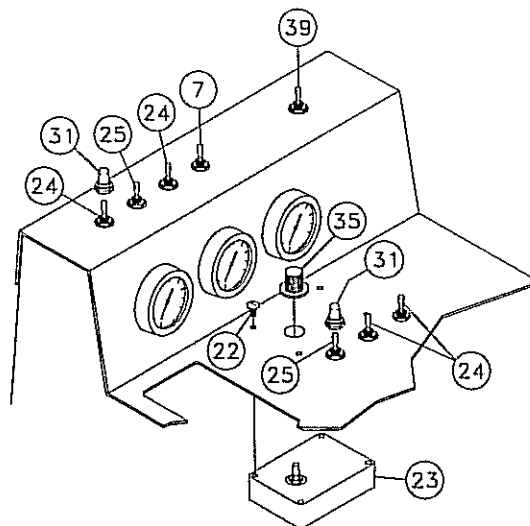
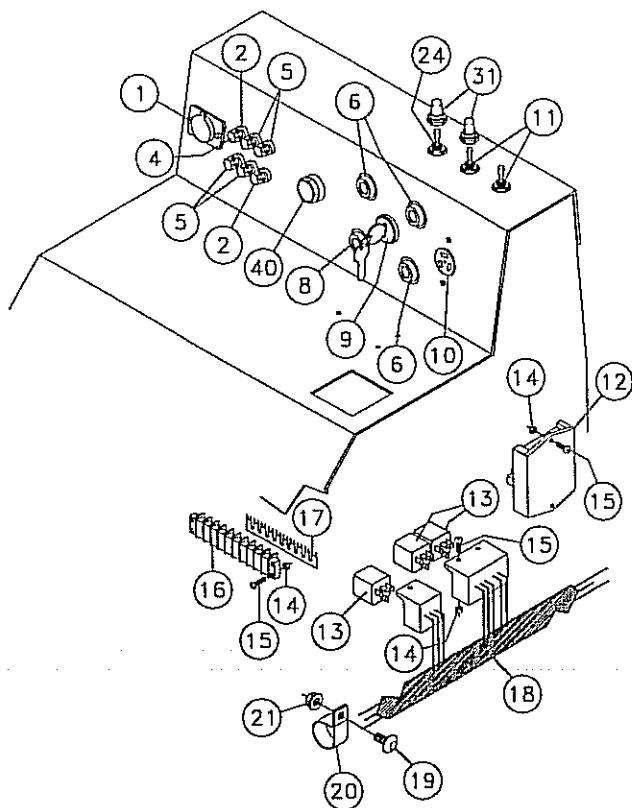
Figure 8-1



REF. NO.	PART NO.	DESCRIPTION	QTY.	REF. NO.	PART NO.	DESCRIPTION	QTY.
8-1	1	236414-001	1	8-1	17	235725-001	4
8-1	2	215200-001	2	8-1	18	485-017	1
8-1	3	85790-003	4	8-1	19	235717-001	1
8-1	4	598-001	2	8-1	20	238242-001	1
8-1	5	53276-001	1	8-1	21	228333-001	2
8-1	6	485-025	1	8-1	22	235716-001	2
8-1	7	235729-001	1	8-1	23	510-011	1
8-1	8	235934-003	1	8-1	24	228176-001	1
		OF REF. 4 & FOUR OF REF. 3)		8-1	25	212522-001	A/R
8-1	9	1084-019	1	8-1	26	240020-001	1
8-1	10	235732-001	2	8-1	27	240094-001	1
8-1	11	236397-001	1	8-1	28	240033-001	1
8-1	12	235726-001	16	8-1	29	510-005	1
8-1	13	228354-001	1	8-1	30	485-011	1
8-1	14	235733-001	2	8-1	31	235727-001	2
8-1	15	228351-001	2	8-1	32	235713-001	22
8-1	16	235723-001	2				

CONTROL PANEL ASSEMBLY

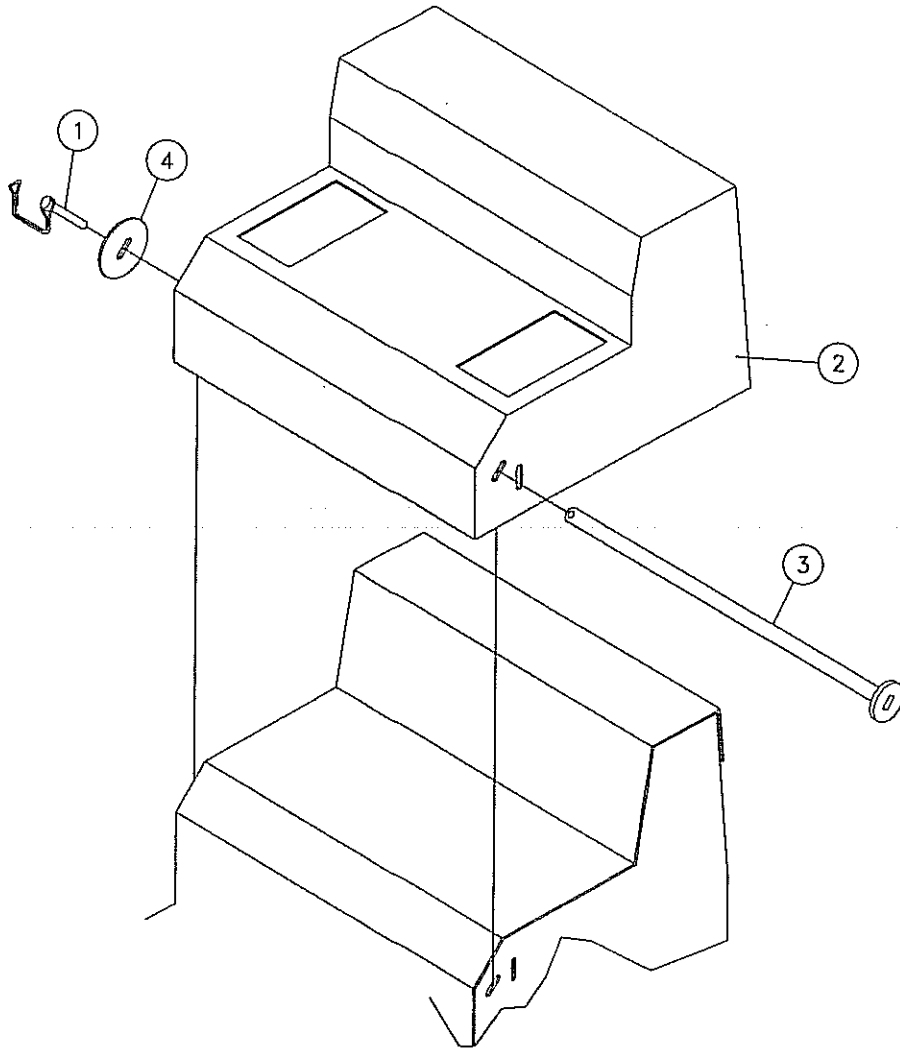
Figure 8-2



REF. NO.	PART NO.	DESCRIPTION	QTY.	REF. NO.	PART NO.	DESCRIPTION	QTY.		
8-2	1	236473-001	OUTLET-12 V STAINLESS	1	8-2	23	228389-001	MODULE-WATER CONTROL	1
		57200-001	SCREW-#8-32X1/2 RND.HD.MACH.	2	8-2	24	67292-001	SWITCH-TOGGLE SEALED	5
		69759-001	LOCK NUT-#8-32 NYLON INSERT PL	2	8-2	25	86580-001	SWITCH-DPST ON-ON	2
8-2	2	72079-001	BREAKER-5 AMP	2	8-2	26	217231-001	ZAP ALERT-CURRENT SENSE	1
8-2	3	219154-001	SWITCH-15A SCWT .047"PT WTRPRF	1	8-2	27	230814-001	ZAP ALERT COIL -14"COAX(3-WIRE)	1
8-2	4	89597-001	COVER-BREAKER SWITCH	6	8-2	28	215995-001	STRIKE ALERT RESET BUTTON ASSY	1
8-2	5	72081-001	BREAKER-15A	4		215996-001	BUTTON-BLACK EXTENDED CONTACT	1	
8-2	6	27148-001	LIGHT-RED WARNING	3		215997-001	BOOT-BLACK RUBBER	1	
		70889-001	BULB. #112-1418	4		215998-001	BLOCK-N.C. CONTACT	1	
8-2	7	236411-001	SWITCH-SPDT ON-OFF-ON (ITL1-5)	1	8-2	29	215991-001	STRIKE ALERT TEST BUTTON ASSY	1
8-2	8	81374-001	LIGHT-GREEN WARNING	1		215993-001	BOOT-GREEN RUBBER	1	
8-2	9	63579-001	SWITCH-1219 GENERAL	1		215994-001	BLOCK-N.O. CONTACT	1	
		66462-001	KEY- NG- 100/1219 GENERAL	1		215992-001	BUTTON-GREEN FLUSH CONTACT	1	
8-2	10	904346-001	BUZZER	1	8-2	30	226209-001	BUTTON ASSY-CURRENT TEST	1
		905001-001	BOLT-8-32 X 2 STOVE	2		215993-001	BOOT-GREEN RUBBER	1	
		904995-001	WASHER-8 INTERNAL STAR	2		904423-001	CONTACT BLOCK	1	
		399-001	NUT-8-32 HEX	2		215992-001	BUTTON-GREEN FLUSH CONTACT	1	
8-2	11	67081-001	SWITCH-8510K4 CUTLER HAMMER	2	8-2	31	5537-001	COVER-TOGGLE SWITCH	11
8-2	12	231248-001	RELAY-LOW VOLTAGE SENSING	1	8-2	32	485-005	WASHER-5/16 FLAT	2
8-2	13	219137-001	RELAY-BOSCH NO/NC 20/30 AMP	2	8-2	33	201785-001	TACH/ HOURMETER DATCON 28A4EM	1
8-2	14	400-001	NUT-3/16 NC HEX	7	8-2	34	201793-001	GAUGE-WATER TEMP DATCON 826EM	1
8-2	15	1802-006	BOLT-10-24 X 3/4 RND HD STOVE	7	8-2	35	78114-001	CONTROL KNOB #409D2K1	1
8-2	16	79803-001	10 POLE TERMINAL BLOCK	1	8-2	36	69757-001	LOCKNUT-#6-32 NYLON INSERT PLT	2
8-2	17	236435-001	TERMINAL JUMPER	1	8-2	37	57337-001	WASHER-#6 FLAT	2
8-2	18	243215-001	HARNESS-OPERATOR STATION WIRE	1	8-2	38	93831-001	BOLT-6-32UNCX1 1/4 STOVE	2
8-2	19	374-006	BOLT-5/16"-18X3/4GD#5CARRIAGE	4	8-2	39	86579-001	SWITCH-4 POLE ON-ON-ON	1
8-2	20	2595-009	CLAMP-1 1/4 HOSE #7701164	3	8-2	40	245090-001	SWITCH-PUSHBUTTON	1
8-2	21	408-001	NUT-5/16 NC FLG WHIZ LOCK	6	8-2	41	244949-001	CAPACITOR	1
8-2	22	103202-001	SCREW-1/4-20X1/2 STH MACHINE	4					

VANDAL SHIELD ASSEMBLY

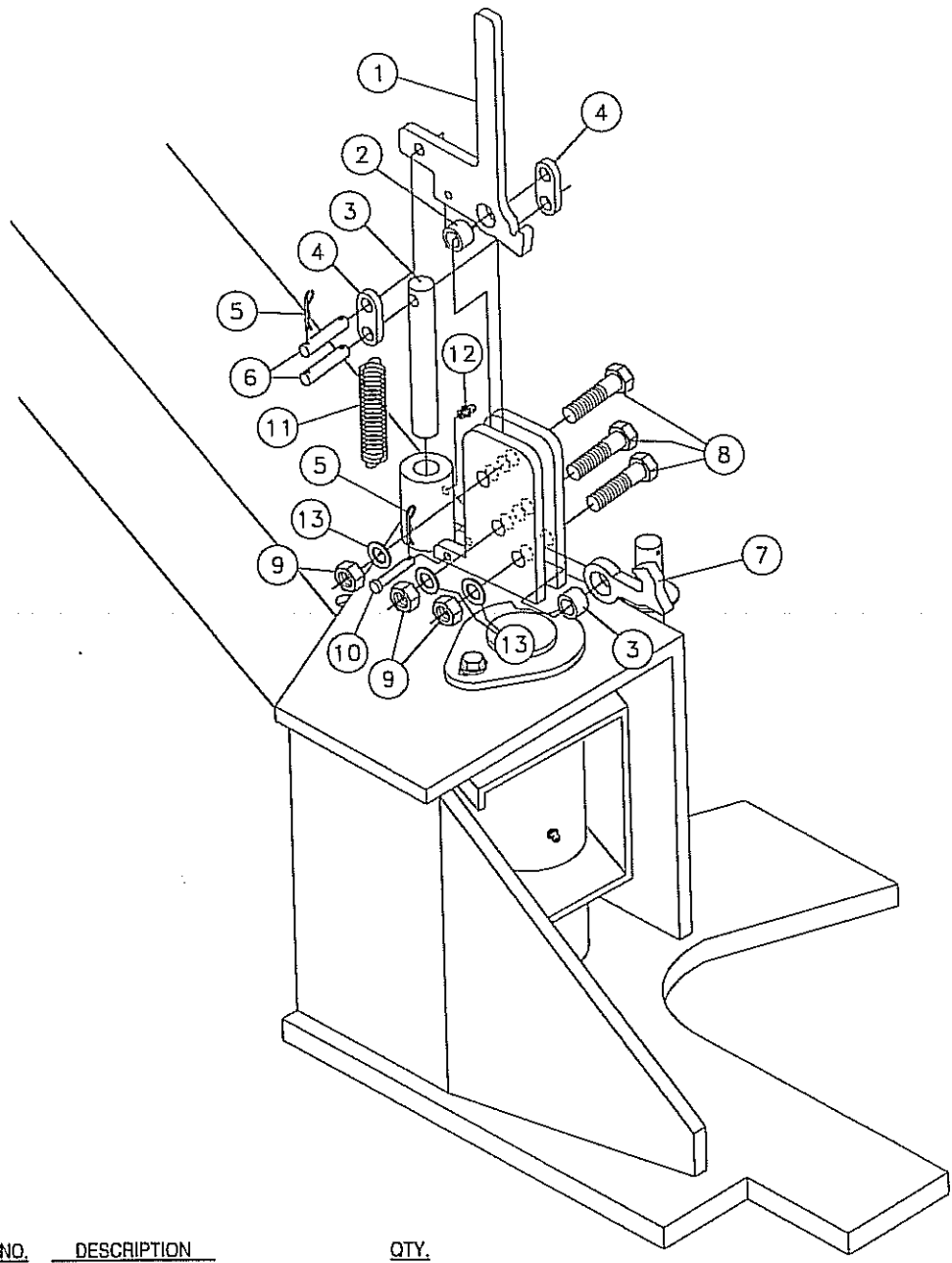
Figure 8-3



<u>REF. NO.</u>	<u>PART NO.</u>	<u>DESCRIPTION</u>	<u>QTY.</u>
8-3 1	2108-001	LYNCH PIN - 1/4 X 2	2
8-3 2	230964-001	COVER-VANDAL	2
8-3 3	235975-001	BAR-VANDAL SHIELD CROSS	2
8-3 4	240758-001	SHIM - SHIPPING	2

SEAT PIVOT LATCH ASSEMBLY

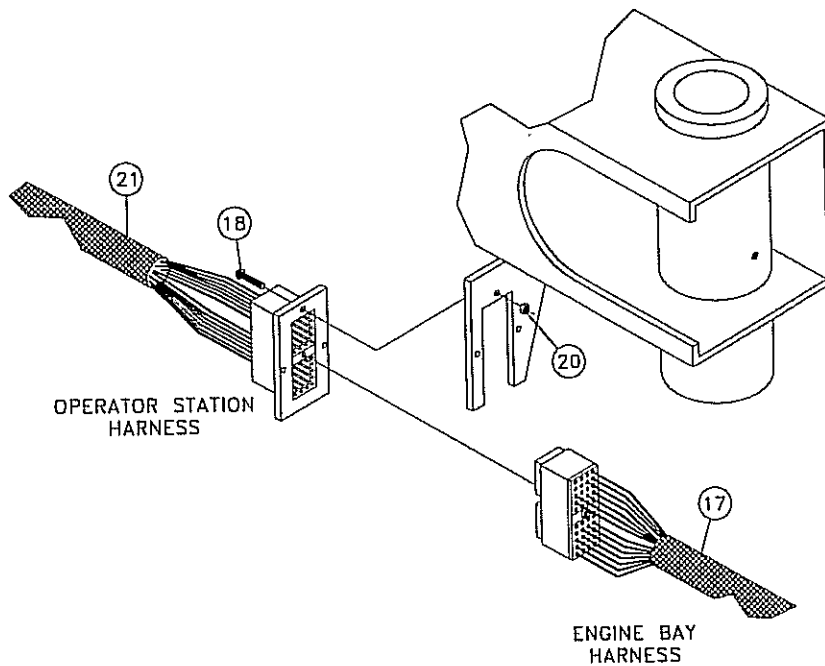
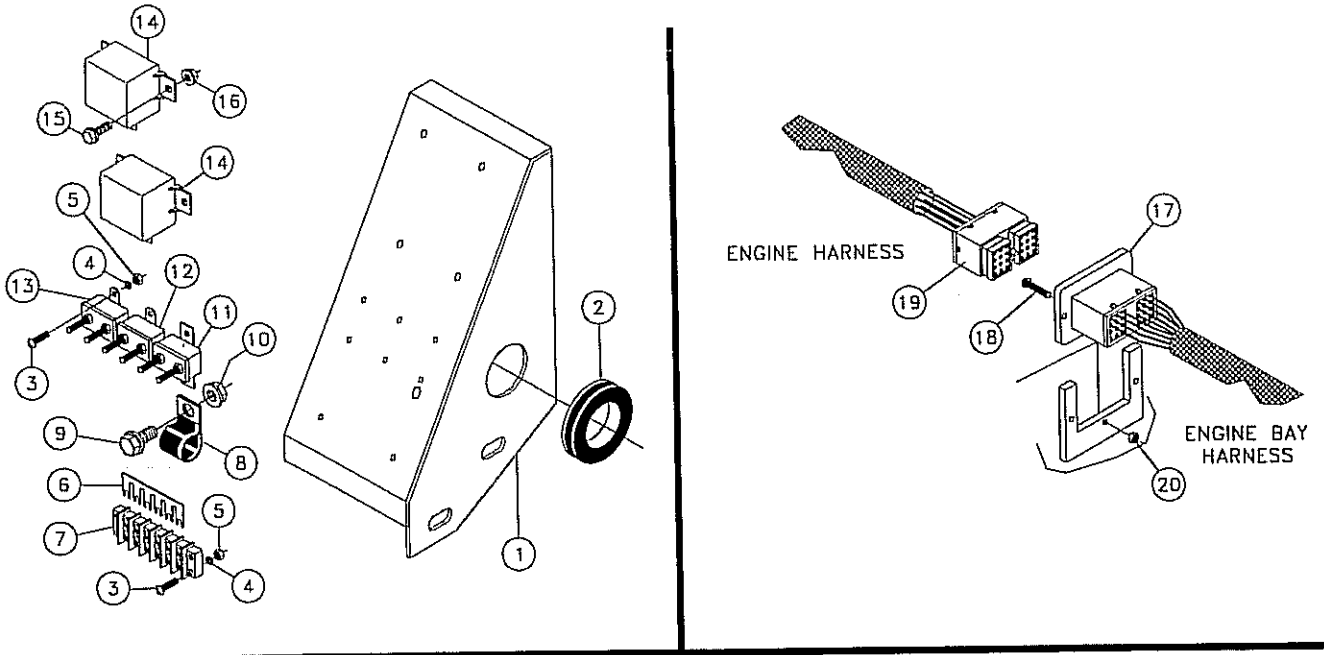
Figure 8-4



REF. NO.	PART NO.	DESCRIPTION	QTY.
8-4	1	235862-001 PLATE-HANDLE	1
8-4	2	235868-001 BRZ BUSHING-.752 X .5015-.50	2
8-4	3	235864-001 PIN	1
8-4	4	235863-001 PLATE-LINK	2
8-4	5	1794-007 HAIR PIN COTTER -.080 WIRE	5
8-4	6	235866-001 PIN-LINK	2
8-4	7	235860-001 PLATE-CATCH	1
8-4	8	235718-001 BOLT-1/2-13X2 GR8 HEX ZINC PLT	3
8-4	9	235731-001 NUT-1/2-13 GR8 ZINC PLTD	3
8-4	10	235878-001 CLEVIS PIN -1/4 X 1 1/2	1
8-4	11	235869-001 SPRING-EXT. 3/4 OD X .085-3.00	1
8-4	12	598-001 ZERK-1/4" NF ST GREASE	1
8-4	13	485-025 WASHER-1/2 FLAT-HARDENED-ZINC	3

ENGINE ELECTRICAL PANEL/HARNESS ASSEMBLY

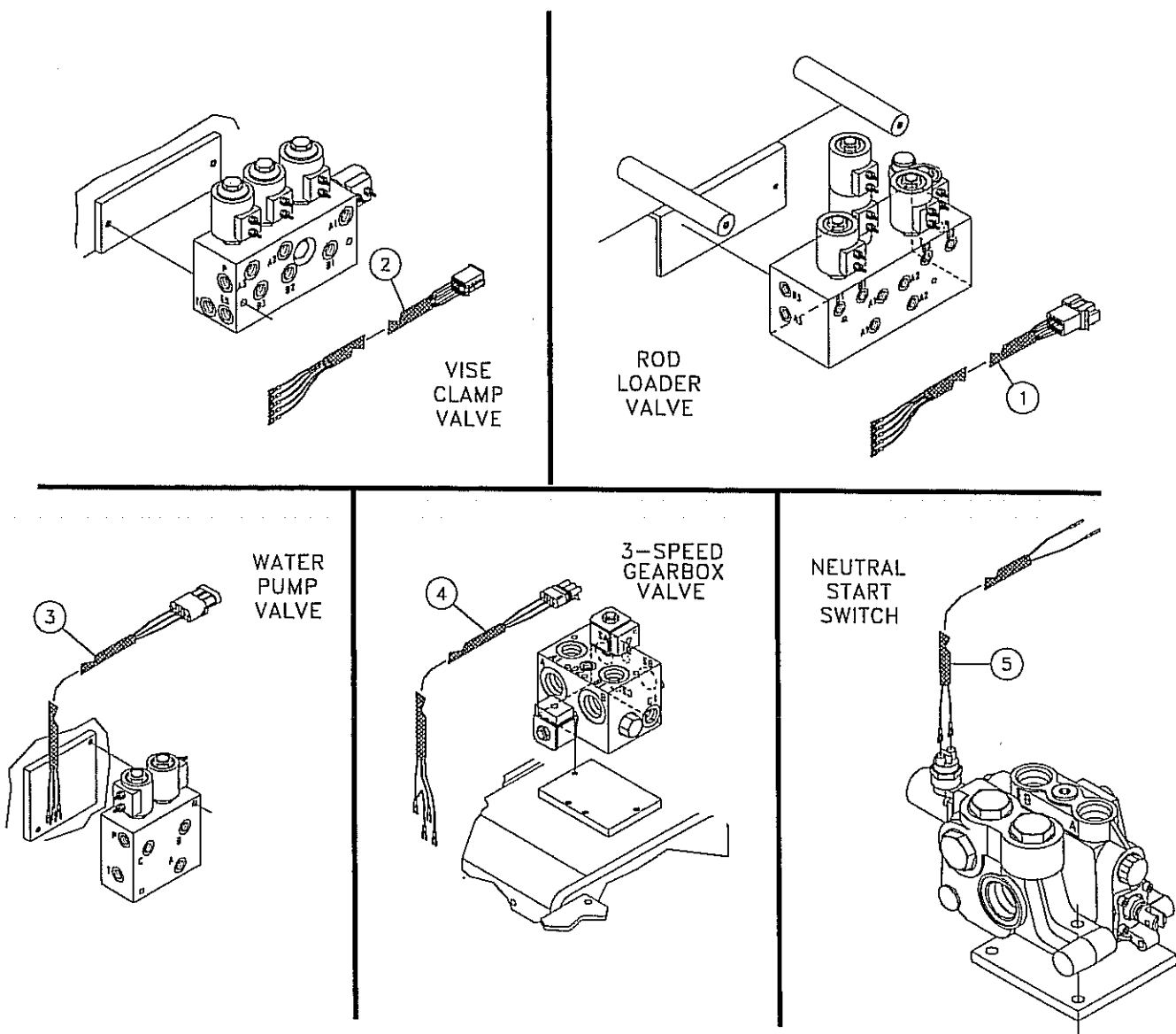
Figure 8-5



REF. NO.	PART NO.	DESCRIPTION	QTY.	REF. NO.	PART NO.	DESCRIPTION	QTY.		
8-5	1	238646-001	PANEL-ELECTRICAL	1	8-5	12	64075-001	BREAKER-RAMCO 121A30A3M01	1
8-5	2	902402-001	GROMMET-1 1/2"RUBBER	1	8-5	13	21285-001	BREAKER-RAMCO 12A15A0 15AMP	1
8-5	3	1802-006	BOLT-10-24 X 3/4 RND HD STOVE	8	8-5	14	86217-001	RELAY-BOSCH SPST 75 AMP SEALED	2
8-5	4	480-001	WASHER-3/16 S/T LOCK	8	8-5	15	4473-006	BOLT-1/4-20X3/4 FLG WHIZ	4
8-5	5	400-001	NUT-3/16 NC HEX	8	8-5	16	405-001	NUT-1/4 NC FLG WHIZ LOCK	4
8-5	6	26453-001	TERMINAL JUMPER-267-A42-6	1	8-5	17	243214-001	HARNESS-ENGINE BAY WIRE	1
8-5	7	26452-001	TERMINAL-2006	1	8-5	18	10530-012	SCREW-8-32X1 1/4 RDHDSLOT MACH	3
8-5	8	2595-001	HOSE CLAMP - TS7FR 1/2"	1	8-5	19	249006-001	HARNESS-ENGINE WIRE	1
8-5	9	4475-006	BOLT-3/8-16X3/4 FLG WHIZ	1	8-5	20	69759-001	LOCK NUT-#8-32 NYLON INSERT PL	3
8-5	10	4536-001	NUT - 3/8-16 FLG. WHIZ LOCK	1	8-5	21	243215-001	HARNESS-OPERATOR STATION WIRE	1
8-5	11	86582-001	BREAKER-40A TYPE 1 W/METALCASE	1					

WIRE HARNESS ASSEMBLY

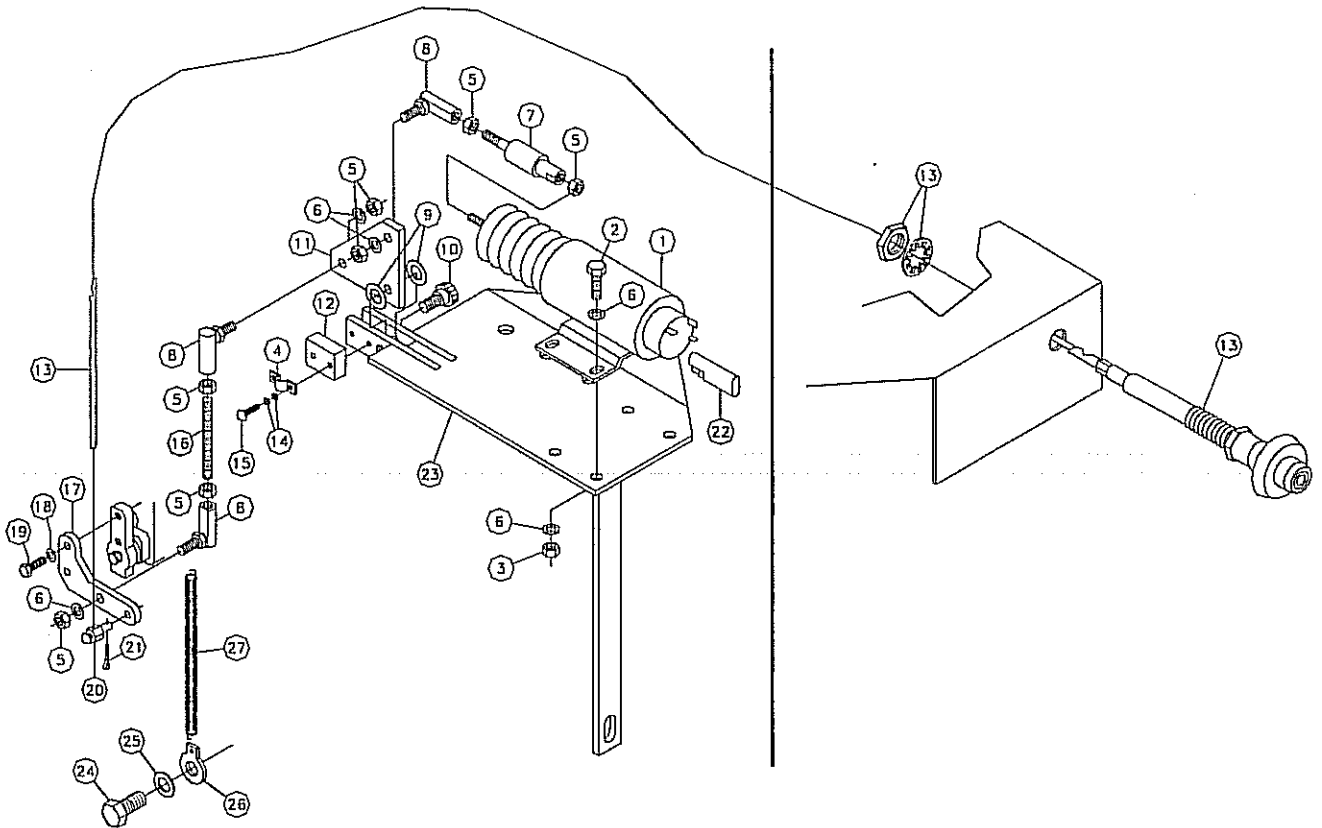
Figure 8-6



REF. NO.	PART NO.	DESCRIPTION	QTY.
8-6	1	243212-001 HARNESS-ROD LOADER WIRE	1
8-6	2	243213-001 HARNESS-VISE WIRE	1
8-6	3	243211-001 HARNESS-WATER VALVE WIRE	1
8-6	4	243216-001 HARNESS-3 SPEED WIRE	1
8-6	5	243217-001 HARNESS-NEUTRAL START WIRE	1

THROTTLE SOLENOID ASSEMBLY

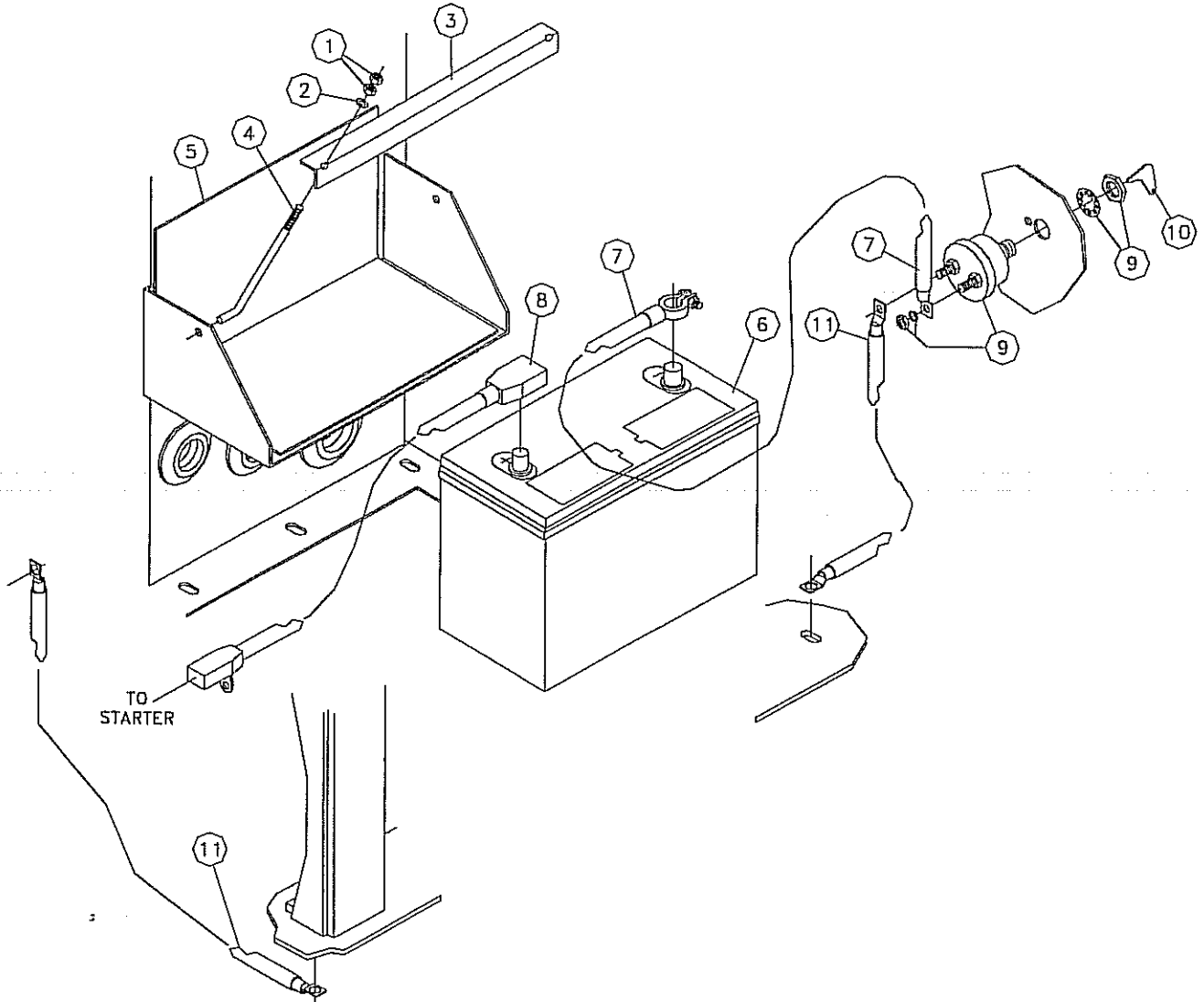
Figure 8-7



REF. NO.	PART NO.	DESCRIPTION	QTY.	REF. NO.	PART NO.	DESCRIPTION	QTY.
8-7	1	904548-001 SOLENOID-#2370	1	8-7	15	533-010 SCREW-10-24X1 RND.HD.MACH.SLT	2
8-7	2	238209-001 BOLT-5/16-18X1 GR8 HEX ZINC YC	4	8-7	16	238704-001 ROD-THROTTLE LINKAGE	1
8-7	3	235741-001 NUT-5/16-18 GR8 ZINC PLTD	4	8-7	17	238689-001 BAR-THROTTLE LINKAGE OS	1
8-7	4	249810-001 CLAMP-A044476	1	8-7	18	250511-001 6 MM HARD WASHER Y/ZINC	2
8-7	5	445-001 NUT-5/16 NF HEX	6	8-7	19	243776-001 BOLT-6M X 15M GR8 HEX MET ZINC	2
8-7	6	235714-001 WASHER-5/16 SAE HARD ZINC PLTD	7	8-7	20	2809-001 PIVOT AO47641	1
8-7	7	214242-001 SWIVEL-5/16 SOLENOID SPRING	1	8-7	21	510-005 COTTER PIN-3/32" X 3/4"	1
8-7	8	4153-001 BALL JOINT - 5/16 SUPERIOR	3	8-7	22	904562-001 RECTIFIER	1
8-7	9	4542-005 WSHR-7/8OD X1/2ID X18 GA MB	2	8-7	23	238691-001 MOUNT-THROTTLE SOLENOID	1
8-7	10	238717-001 SCREW-1/2X5/8 SOC HD SHOULDER	1	8-7	24	250501-001 BOLT 12MM X 25MM GR10.9 HEX Y/	1
8-7	11	238690-001 PLATE-THROTTLE LINKAGE PIVT OS	1	8-7	25	238249-001 12 MM HARD WASHER Y/ZINC	1
8-7	12	238703-001 SPACER-THROTTLE CABLE MOUNT	1	8-7	26	230960-001 PLATE-WASHER TAB OS	1
8-7	13	245077-001 CABLE-150" CONTROL W/ARMOR	1	8-7	27	1789-007 SPRING - EXT. #106 4 1/2" OA	1
8-7	14	480-001 WASHER-3/16 S/T LOCK	4				

BATTERY ASSEMBLY

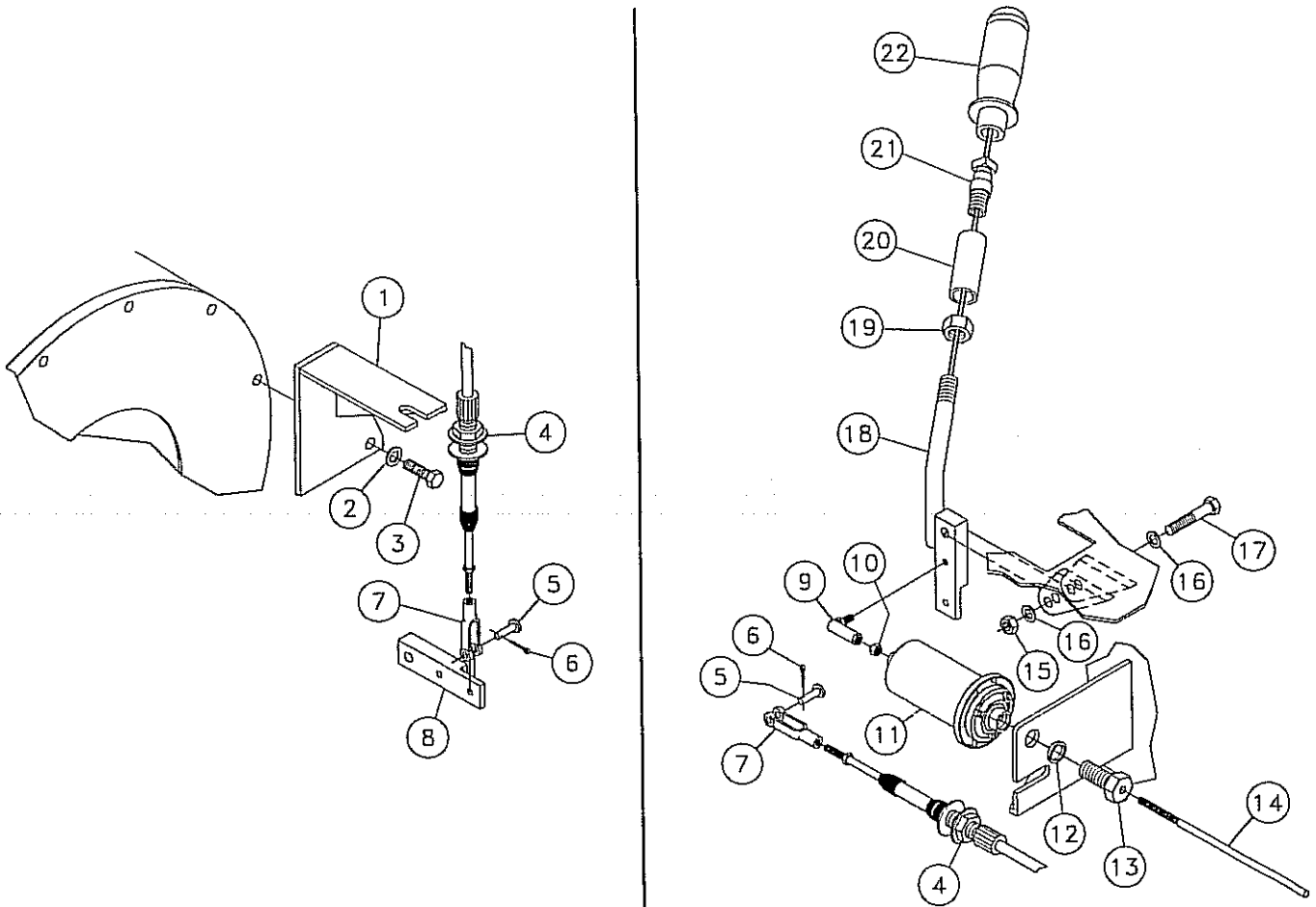
Figure 8-8



REF. NO.	PART NO.	DESCRIPTION	QTY.
8-8	1	235741-001 NUT-5/16-18 GR8 ZINC PLTD	4
8-8	2	235714-001 WASHER-5/16 SAE HARD ZINC PLTD	2
8-8	3	214360-001 HOLDDOWN-BATTERY	1
8-8	4	240880-001 BOLT-BATTERY ANCHOR	2
8-8	5	903884-001 PAD-BATTERY	1
8-8	6	N/A BATTERY-GROUP 31 950CCA	1
8-8	7	228399-001 CABLE-BATT. 2/0GA.X40"N-E BLACK	1
8-8	8	245015-001 BATT CABLE-2/10 3/8 90D 48P-ER	1
8-8	9	904365-001 DISCONNECT SWITCH	1
8-8	10	87356-003 KEY	1
8-8	11	228400-001 CABLE-BATT. 2/0 GA.X15"E-E BLK	2

CONTROL LEVER ASSEMBLY (ROTATION)

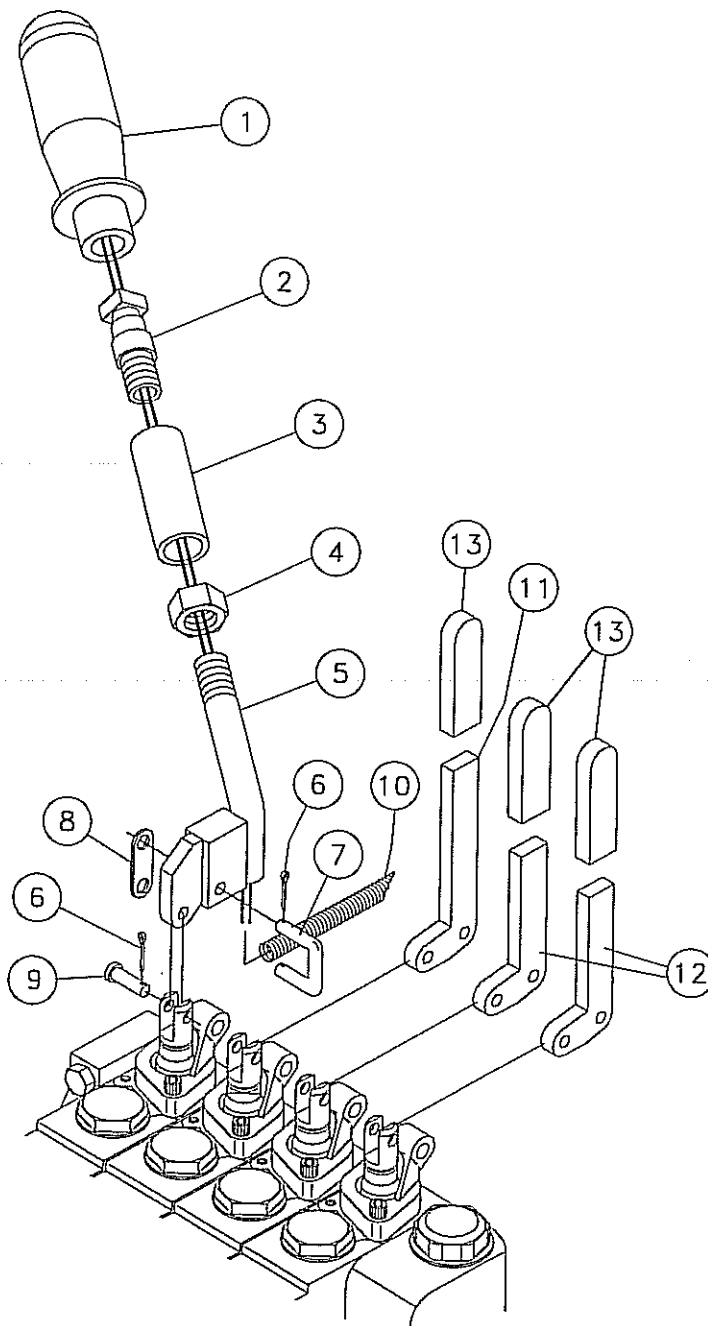
Figure 8-9



REF. NO.	PART NO.	DESCRIPTION	QTY.	REF. NO.	PART NO.	DESCRIPTION	QTY.		
8-9	1	228364-001	MOUNT-CABLE	1	8-9	12	480-015	WASHER-5/8 S/T LOCK	1
8-9	2	240061-001	WASHER-10MM HARDENED FLAT ZNC	2	8-9	13	228412-001	BOLT-GUIDE MOUNT	1
8-9	3	238889-001	BOLT-M10X1.5X35HHCS CL-8.8 ZY	2	8-9	14	220107-001	ROD-SPRING GUIDE	1
8-9	4	228398-001	CABLE-180° CONTROL	1	8-9	15	235725-001	NUT-3/8-16 GR8 ZINC PLTD	1
8-9	5	2110-003	PIN-CLEVIS 1/4X7/8 - 47/64 UL	2	8-9	16	235713-001	WASHER-3/8 SAE HARD ZINC PLTD	2
8-9	6	510-005	COTTER PIN-3/32" X 3/4"	2	8-9	17	240454-001	BOLT-3/8-16X2 GR#8 ZINC PLTD	1
8-9	7	2786-001	CLEVIS-A31125 30 SERIES	2	8-9	18	228361-001	LEVER-ROTATION	1
8-9	8	228118-001	LEVER-90 SERIES MODIFIED	1	8-9	19	452-001	NUT-5/8 N.F. HEX	1
8-9	9	1489-001	BALL JOINT - 1/4" SP1002 CP	1	8-9	20	216295-001	TUBE-EXTENSION	1
8-9	10	4734-001	NUT-1/4-28 NF HEX	1	8-9	21	216293-001	ROD-JOYSTICK	1
8-9	11	220180-001	SPRING CENTER-CABLE CONTROL	1	8-9	22	228407-001	HANDLE ASSY-CONTROL	1

CONTROL LEVER ASSEMBLY (THRUST/PULLBACK)

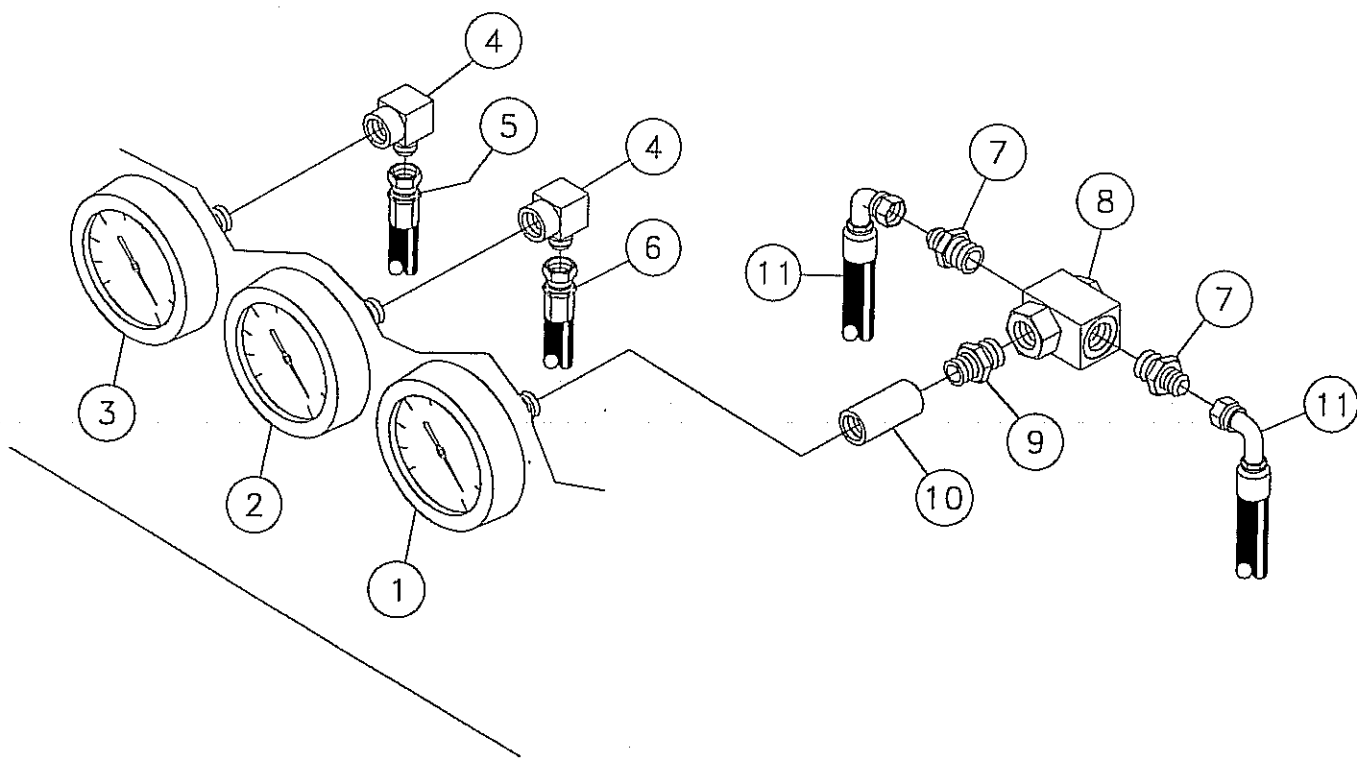
Figure 8-10



REF. NO.	PART NO.	DESCRIPTION	QTY.
8-10	1	228406-001 HANDLE ASSY-CONTROL	1
8-10	2	216293-001 ROD-JOYSTICK	1
8-10	3	216295-001 TUBE-EXTENSION	1
8-10	4	75386-001 NUT-5/8-UNF GR.8 HEX	1
8-10	5	228403-001 LEVER-THRUST/PULLBACK	1
8-10	6	510-035 PIN-3/32 X 1/2 COTTER	12
8-10	7	4333-003 LINK-	4
8-10	8	4333-005 PLATE-LINK	4
8-10	9	2110-003 PIN-CLEVIS 1/4X7/8 - 47/64 UL	4
8-10	10	86319-001 LOOM-FLEX GARD HI TEMP 3/8 ID	1
8-10	11	228494-001 LEVER-CONTROL VALVE	1
8-10	12	228495-001 LEVER-CONTROL VALVE	2
8-10	13	201482-001 HANDLE-BLACK PLASTIC 2 1/2"	3

PRESSURE GAUGE ASSEMBLY

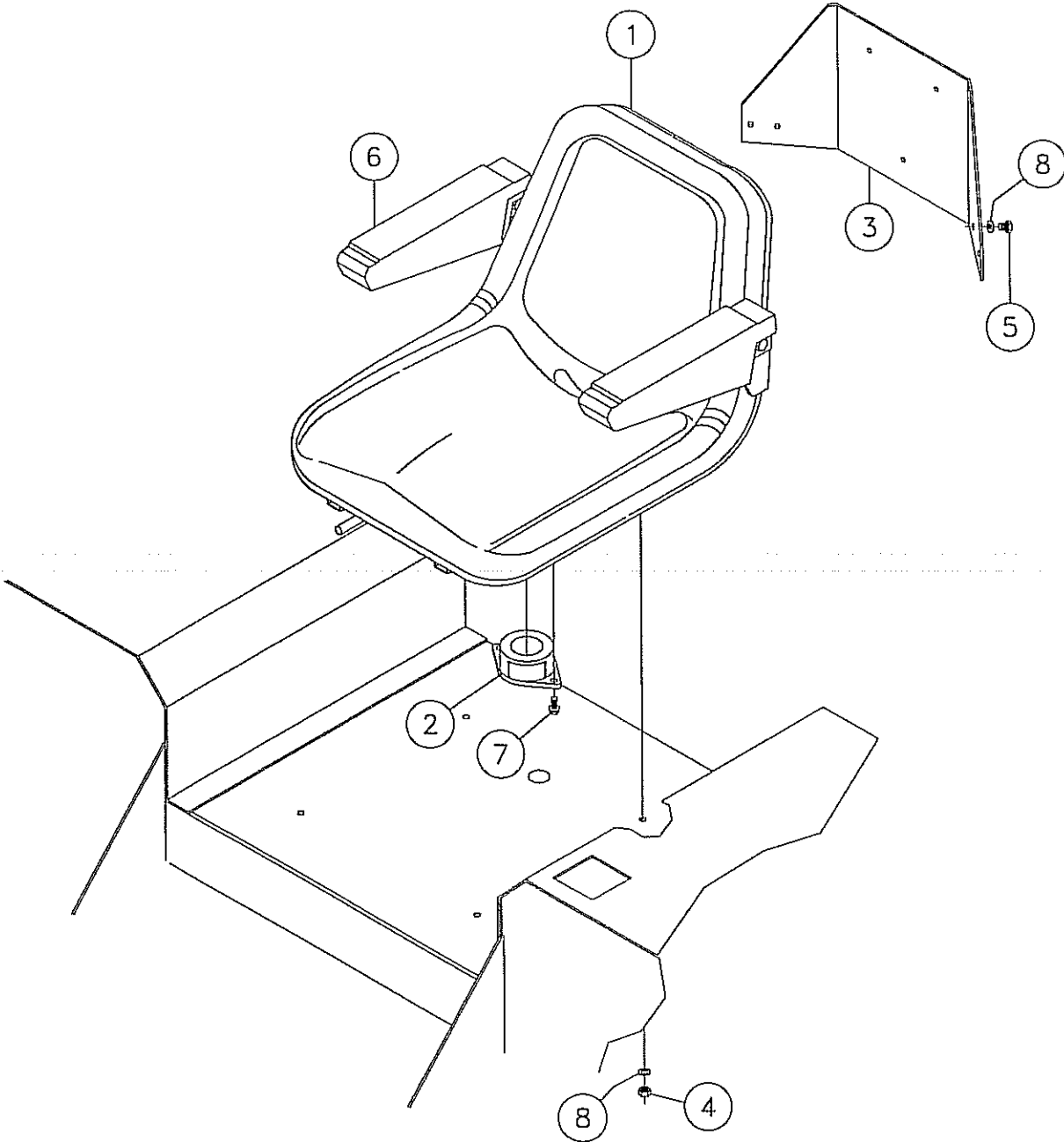
Figure 8-11



REF. NO.	PART NO.	DESCRIPTION	QTY.
8-11	1	904537-001 GAUGE-5000 PSI SPAN	1
8-11	2	228421-001 GAUGE-7500 PSI SPAN	1
8-11	3	234343-001 GAUGE-PRESSURE 0-2000 PSI	1
8-11	4	81665-001 FITTING-1/4FX4M JIC 90 DEG.	2
8-11	5	53843-721 HOSE-1/4X206 4FSJICST 3000PSI	1
8-11	6	232124-071 HOSE - 1/4X144 FSJIC X FSJIC	1
8-11	7	57968-001 6M O-RING 4M JIC STRAIGHT	2
8-11	8	240391-001 VALVE-SHUTTLE	1
8-11	9	100852-001 FITTING-6MORINGX1/4M STR.	1
8-11	10	723-001 1/4" COUPLING BLACK STEEL	1
8-11	11	53843-741 HOSE-1/4X18 4FSJICST/90 3000#	2

SEAT ASSEMBLY

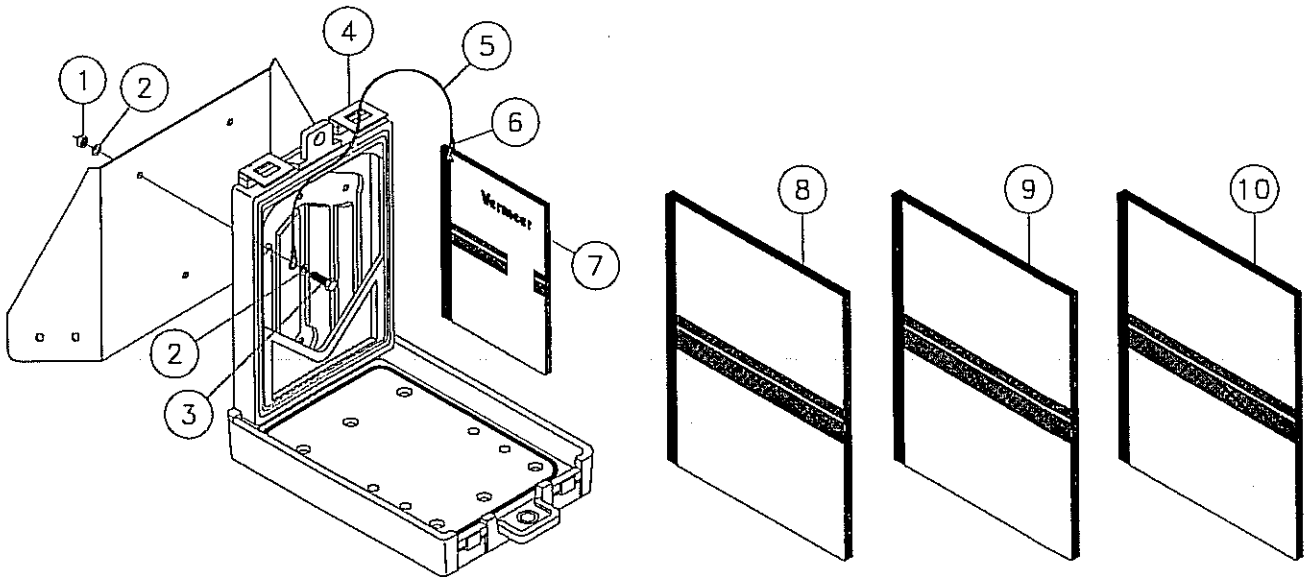
Figure 8-12



REF. NO.	PART NO.	DESCRIPTION	QTY.
3-12	1	219186-001 SEAT-MILSCD OLYMPIC (DOES NOT INC. ARM REST)	1
3-12	2	219186-003 SWITCH-SAFETY	1
3-12	3	235683-001 MOUNT-MANUAL BOX	4
3-12	4	235741-001 NUT-5/16-18 GR8 ZINC PLTD	4
3-12	5	235740-001 BOLT-5X16-18X1/2 GR8 ZINC PLT	4
3-12	6	220238-001 KIT-MILSCD OLYMPIC ARM REST (OPT.) (INC. MOUNTING HARDWARE)	1
8-12	7	4473-004 1/4-20X1/2 FLGE WHIZ BOLT	2
8-12	8	235714-001 WASHER-5/16 SAE HARD ZINC PLTD	8

LITERATURE BOX ASSEMBLY

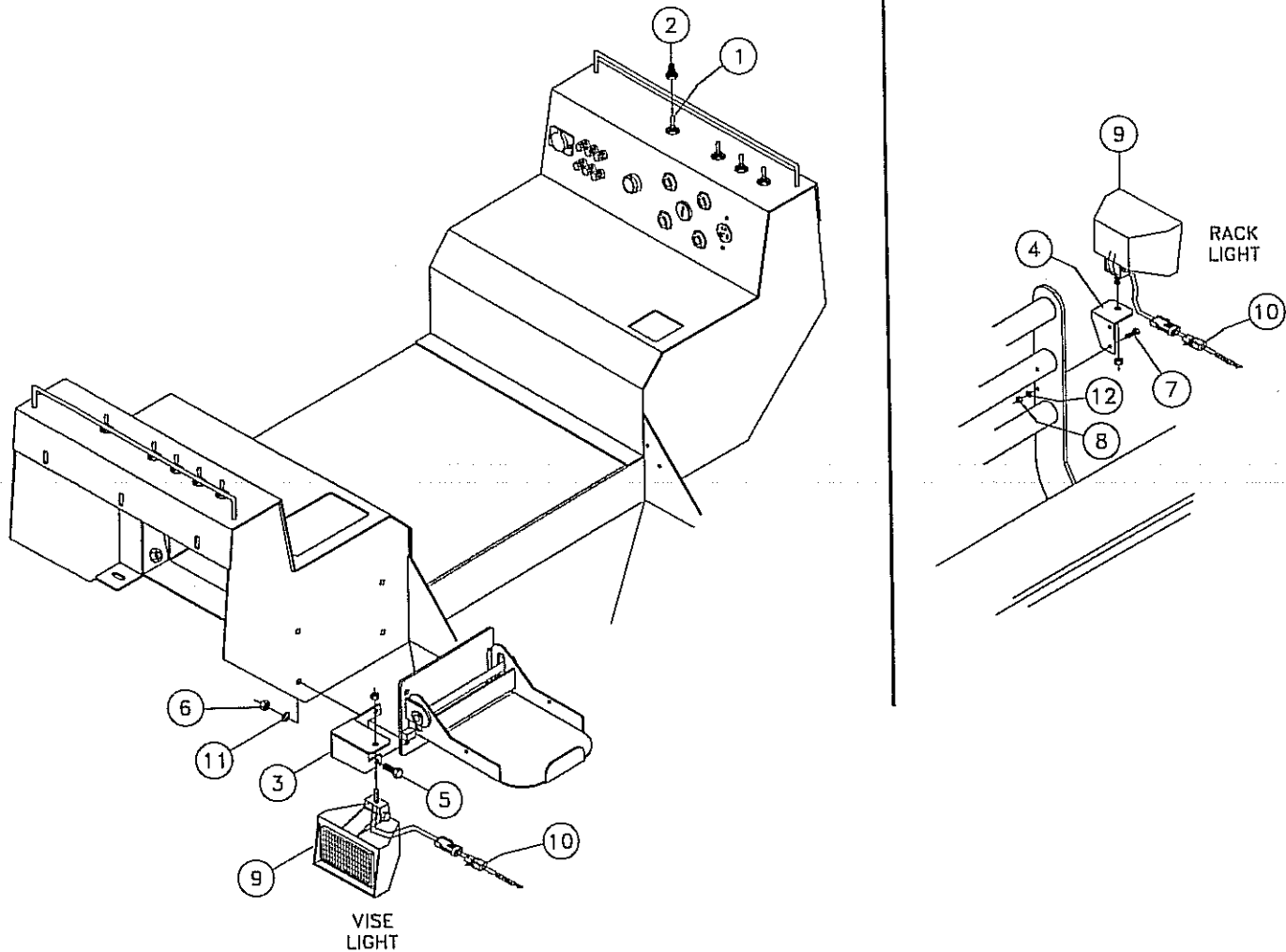
Figure 8-13



REF. NO.	PART NO.	DESCRIPTION	QTY.
8-13	1	235732-001 NUT-1/4-20 GR8 ZINC PLTD	3
8-13	2	235716-001 WASHER-1/4 SAE HARD ZINC PLTD	6
8-13	3	235734-001 BOLT-1/4-20X3/4 GR8 ZINC PLTD	3
8-13	4	142410-001 CASE-6"X9"X1" OPERATOR MANUAL	1
8-13	5	142954-001 CABLE-.068DIA.NYLON CT.-36.00	1
8-13	6	142423-001 CRIMP-CABLE (FOR.068DIA.CABLE)	2
8-13	7	236452-001 MANUAL ASSY-24X40A OM MINI 1ST (INC. REF. 5 & 6)	1
8-13	8	105400-N38 D24X40A NAVIGATOR (OM) 1st ED	1
8-13	9	105400-N39 D24X40A NAVIGATOR (MM) 1st ED	1
8-13	10	105400-Q20 D24X40A NAVIGATOR (PM) 2nd ED	1

WORK LIGHT ASSEMBLY

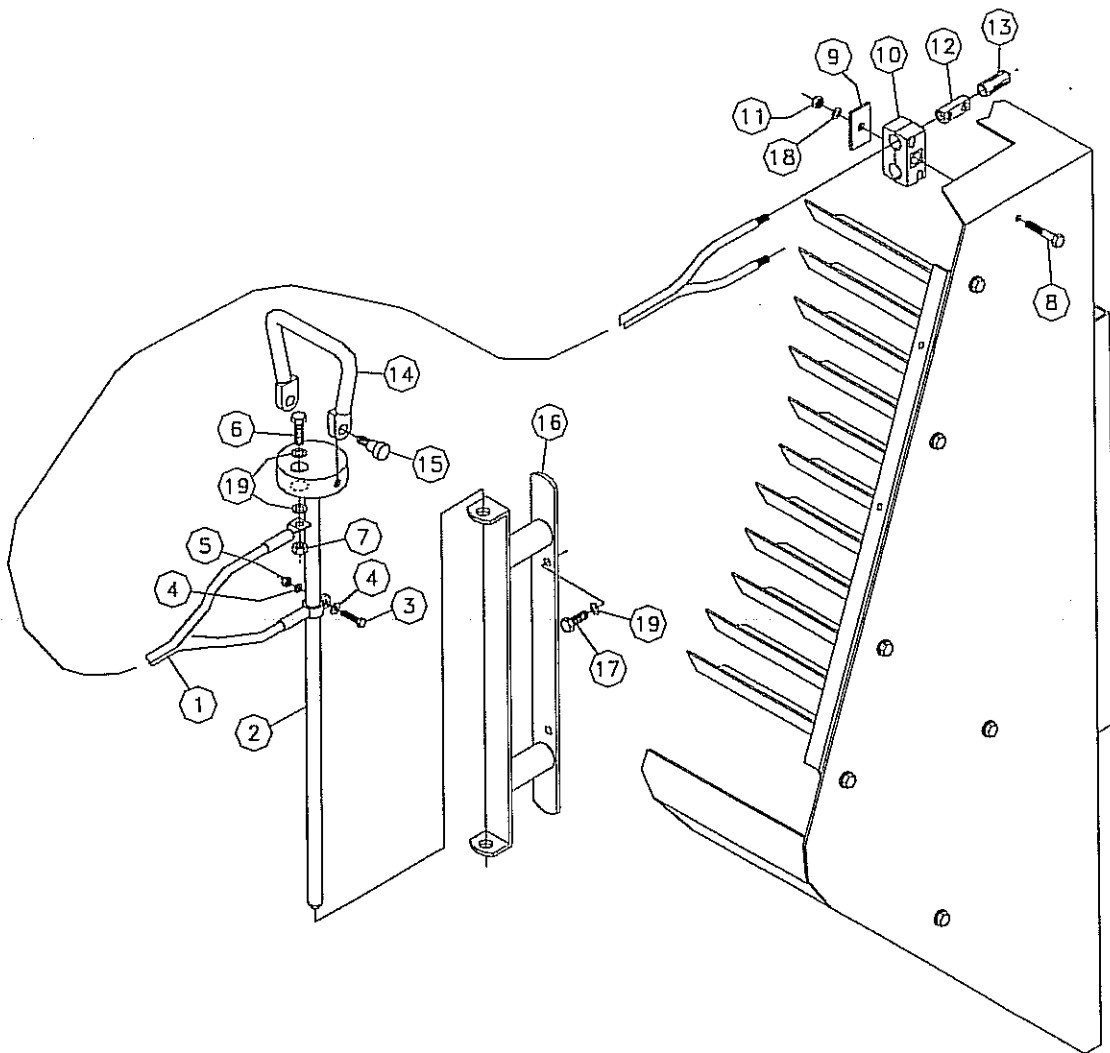
Figure 8-14



REF. NO.	PART NO.	DESCRIPTION	QTY.
8-14	1	67293-001 SWITCH-TOGGLE 8511K14 SEALED	1
8-14	2	5537-001 COVER-TOGGLE SWITCH	1
8-14	3	245004-001 BRACKET-D24X40A VISE LIGHT OS	1
8-14	4	245003-001 BRACKET-D24X40A RACK LIGHT OS	1
8-14	5	235727-001 BOLT-3/8-16X1 GR8 HEX ZINC PLT	2
8-14	6	235725-001 NUT-3/8-16 GR8 ZINC PLTD	2
8-14	7	235734-001 BOLT-1/4-20X3/4 GR8 ZINC PLTD	2
8-14	8	235732-001 NUT-1/4-20 GR8 ZINC PLTD	2
8-14	9	245006-001 ASSEMBLY-3X5 FLOOD LIGHT	2
8-14	10	245002-001 HARNESS-D24X40A LIGHT KIT WIRE	1
8-14	11	235713-001 WASHER-3/8 SAE HARD ZINC PLTD	2
8-14	12	235716-001 WASHER-1/4 SAE HARD ZINC PLTD	2

VOLTAGE STAKE ASSEMBLY

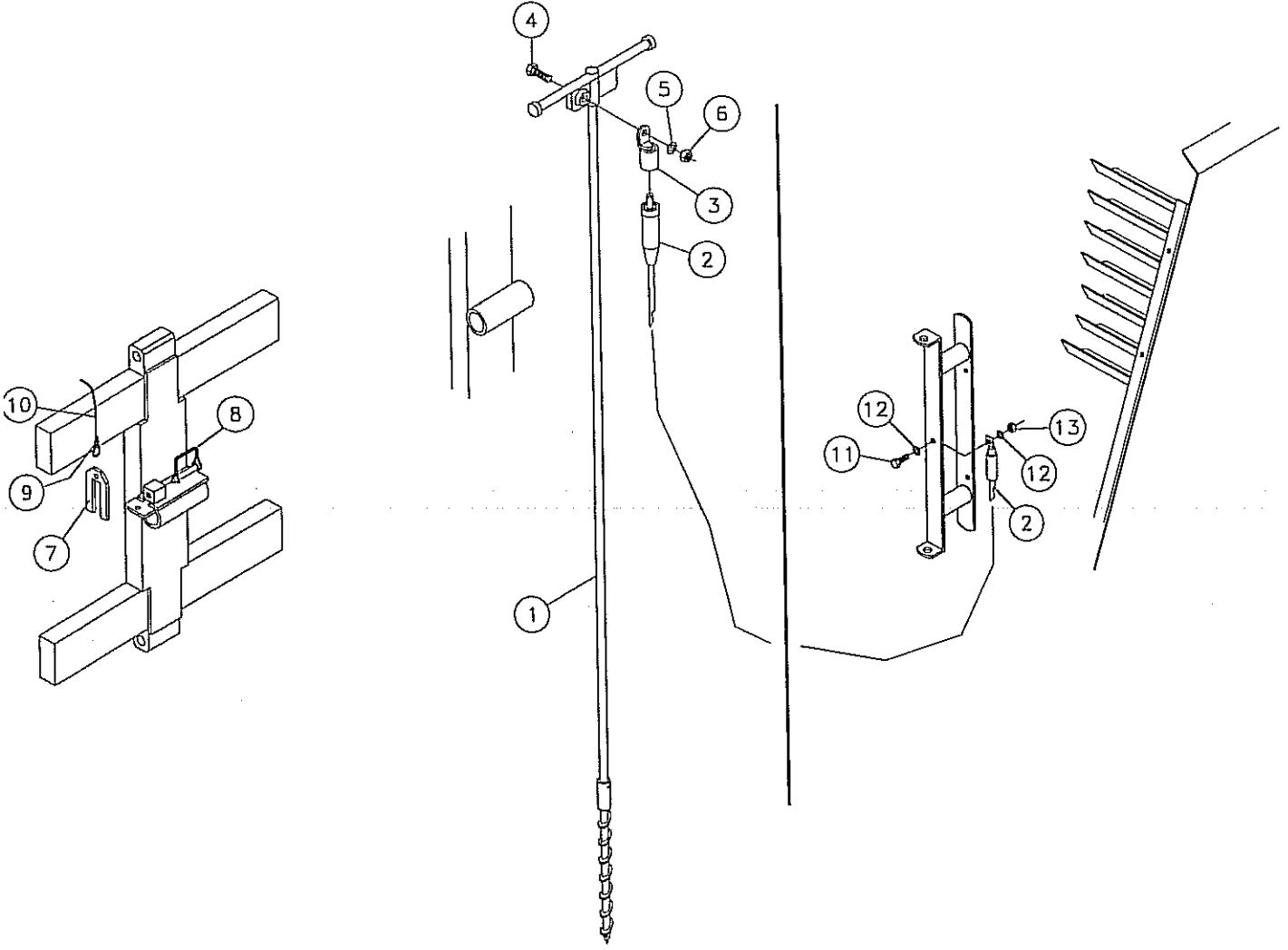
Figure 9-1



REF. NO.	PART NO.	DESCRIPTION	QTY.
9-1	1	217967-001 CORD ASSY - VOLTAGE STAKE	1
9-1	2	234167-001 STAKE-VOLTAGE	1
9-1	3	235734-001 BOLT-1/4-20X3/4 GR8 ZINC PLTD	1
9-1	4	235716-001 WASHER-1/4 SAE HARD ZINC PLTD	2
9-1	5	235732-001 NUT-1/4-20 GR8 ZINC PLTD	1
9-1	6	235736-001 BOLT-3/8-16X1 1/4 ZINC PLTD	1
9-1	7	235725-001 NUT-3/8-16 GR8 ZINC PLTD	1
9-1	8	248030-001 BOLT-5/16-18X1 3/4 GR8 ZINC PL	1
9-1	9	67846-003 PLATE-TWIN COVER	1
9-1	10	900035-005 CLAMP-3/8*DOUBLE HOSE	2
9-1	11	235741-001 NUT-5/16-18 GR8 ZINC PLTD	1
9-1	12	904955-001 CONNECTOR	2
9-1	13	208065-001 SHRINK TUBE-3/4ID COMMERCIAL GRD (SPECIFY LENGTH)	2
9-1	14	234164-001 HANDLE-VOLTAGE STAKE	1
9-1	15	240056-001 SCREW-1/2-13X1/2 NCSOC HD ZNC	2
9-1	16	240791-001 BRACKET-VOLTAGE STAKE	1
9-1	17	235727-001 BOLT-3/8-16X1 GR8 HEX ZINC PLT	2
9-1	18	235714-001 WASHER-5/16 SAE HARD ZINC PLTD	1
9-1	19	235713-001 WASHER-3/8 SAE HARD ZINC PLTD	4

GROUND STAKE ASSEMBLY

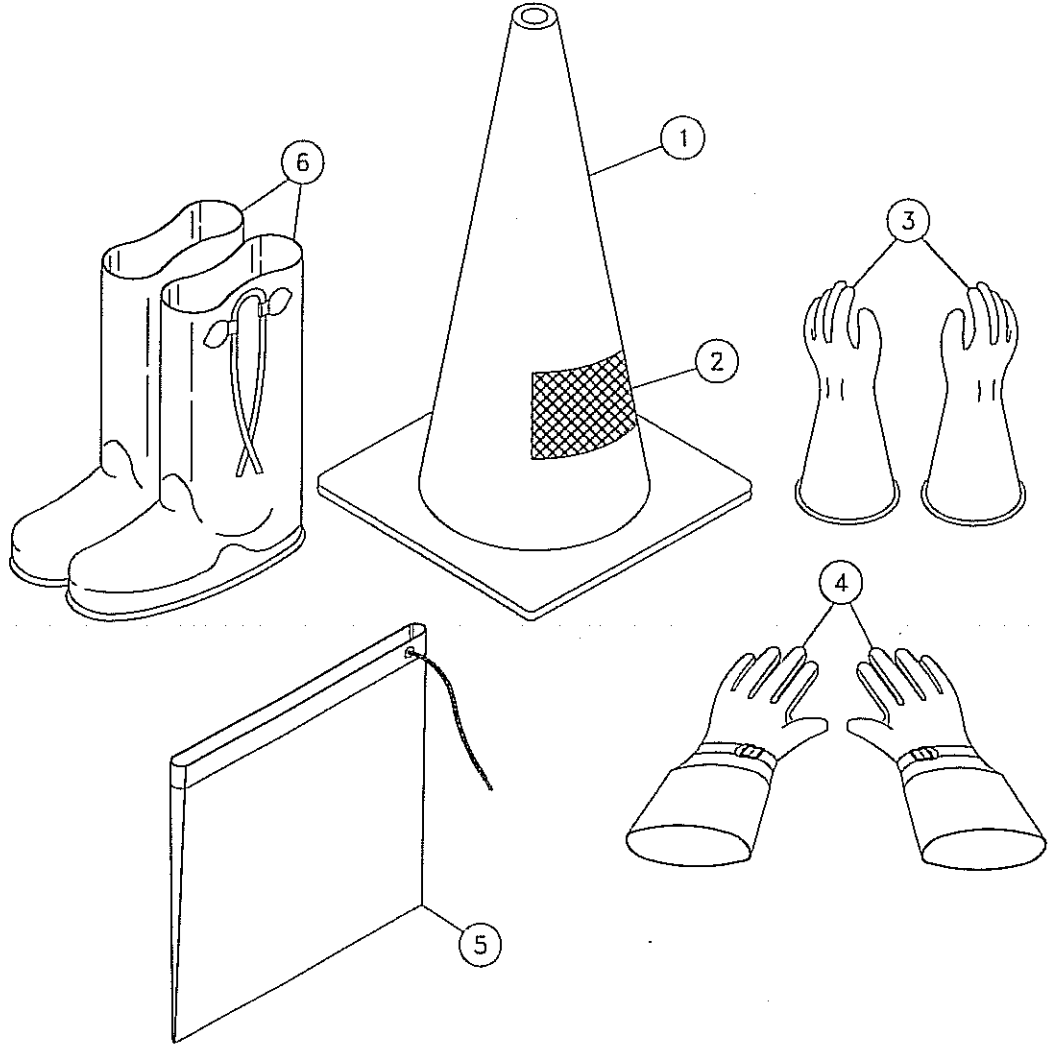
Figure 9-2



REF. NO.	PART NO.	DESCRIPTION	QTY.
9-2	1	904546-001 STAKE-T-HANDLE GROUND	1
9-2	2	229285-001 GROUND CORD ASSY	1
9-2	3	904731-001 TWECO FEMALE TERMINAL	1
9-2	4	235737-001 BOLT-1/2-13X1 1/4 GR8 ZINC PLT	1
9-2	5	485-025 WASHER-1/2 FLAT-HARDENED-ZINC	1
9-2	6	250512-001 NUT-1/2-NC GR8 TOP LOCK Y/ZINC	1
9-2	7	230804-001 PLATE-KEEPER	1
9-2	8	2108-001 LYNCH PIN - 1/4 X 2	1
9-2	9	1838-001 CONNECTOR-WIRE (ETC)	2
9-2	10	1830-007 CABLE-3/32*NYLON COATED (SPECIFY LENGTH)	A/R
9-2	11	235727-001 BOLT-3/8-16X1 GR8 HEX ZINC PLT	1
9-2	12	235713-001 WASHER-3/8 SAE HARD ZINC PLTD	2
9-2	13	235725-001 NUT-3/8-16 GR8 ZINC PLTD	1

SAFETY FEATURES - GLOVES, BOOTS, CONES

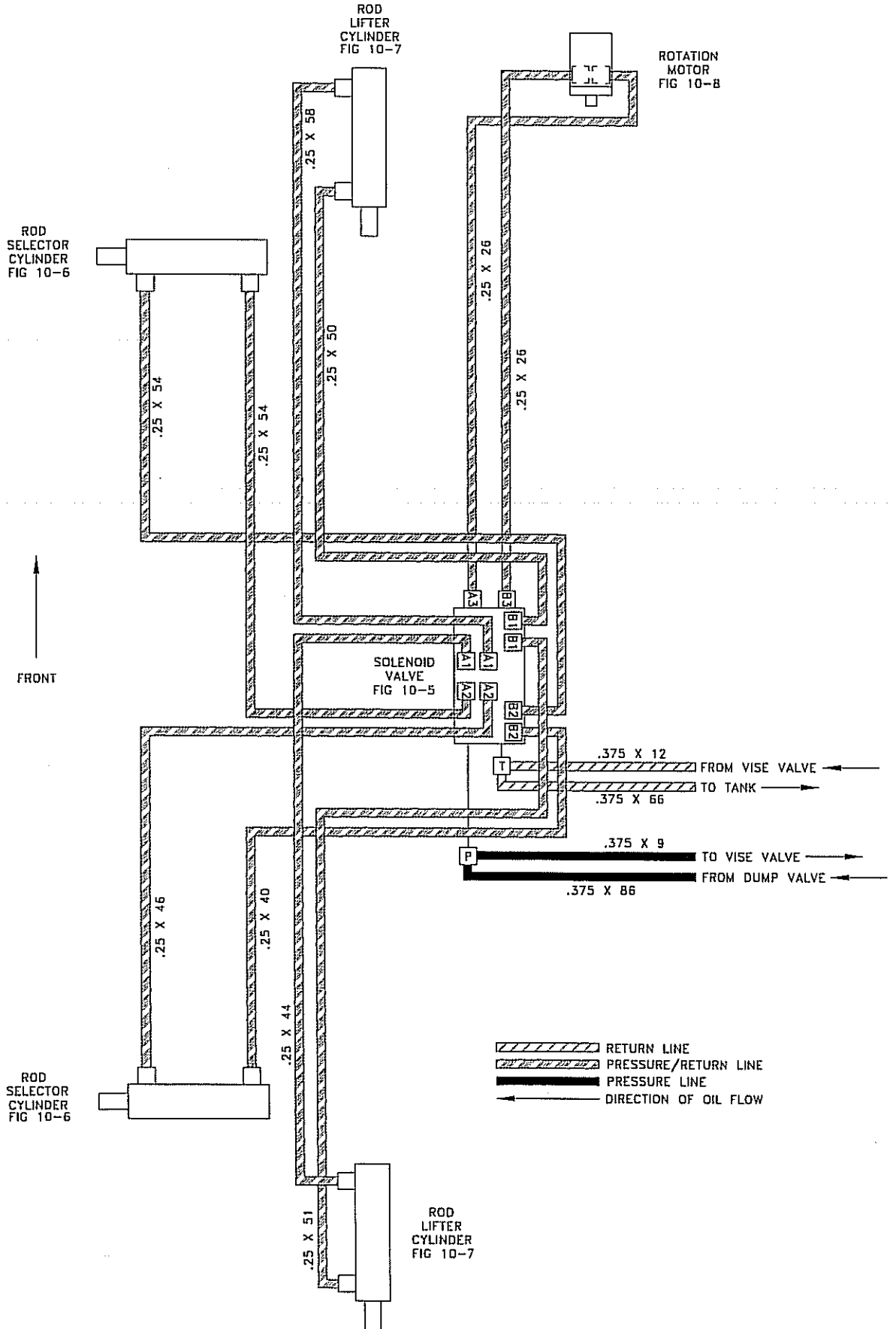
Figure 9-3



REF. NO.	PART NO.	DESCRIPTION	QTY.	REF. NO.	PART NO.	DESCRIPTION	QTY.
9-3	1	904541-001 CONES-ORANGE PVC	4		210785-001	GLOVE KIT-SIZE 10 (INC. 1 PAIR OF RUBBER GLOVES, 1 PAIR OF LEATHER GLOVES & 1 GLOVE BAG REF. 5)	1
9-3	2	70000-530 DECAL-DANGER	4		224990-001	GLOVE KIT-SIZE 11 (INC. 1 PAIR OF RUBBER GLOVES, 1 PAIR OF LEATHER GLOVES & 1 GLOVE BAG REF. 5)	1
		70001-530 DECAL-DANGER (INTERNATIONAL)	4		224991-001	GLOVE KIT-SIZE 12 (INC. 1 PAIR OF RUBBER GLOVES, 1 PAIR OF LEATHER GLOVES & 1 GLOVE BAG REF. 5)	1
9-3	3	210782-001 GLOVES-SIZE 9 RUBBER INSULATE	1 pair		9-3 5	210784-001 BAG-GLOVE	1
		210782-005 GLOVES-SIZE 9 1/2 RUBBER INSUL	1 pair	9-3	6	210780-009 BOOTS-SIZE 9 OVER-THE-SHOE	1 pair
		210782-003 GLOVES-SIZE 10 RUBBER INSULATE	1 pair			210780-001 BOOTS-SIZE 10 OVER-THE-SHOE	1 pair
		210782-007 GLOVE-SIZE 11 RUBBER INSULATED	1 pair			210780-003 BOOTS-SIZE 11 OVER-THE-SHOE	1 pair
		210782-009 GLOVE-SIZE 12 RUBBER INSULATED	1 pair			210780-005 BOOTS-SIZE 12 OVER-THE-SHOE	1 pair
		210783-001 GLOVES-SIZE 9 LEATHER PROTECT	1 pair			210780-007 BOOTS-SIZE 13 OVER-THE-SHOE	1 pair
9-3	4	210783-005 GLOVES SIZE 9 1/2 LEATHER PROT	1 pair			210780-011 BOOTS-SIZE 14 OVER-THE-SHOE	1 pair
		210783-003 GLOVES-SIZE 10 LEATHER PROTECT	1 pair			210780-013 BOOTS-SIZE 15 OVER-THE-SHOE	1 pair
		210783-007 GLOVE-SIZE 11 LEATHER PROTECT	1 pair				
		210783-009 GLOVE-SIZE 12 LEATHER PROTECT	1 pair				
		210781-001 GLOVE KIT-SIZE 9 (INC. 1 PAIR OF RUBBER GLOVES, 1 PAIR OF LEATHER GLOVES & 1 GLOVE BAG REF. 5)	1				
		224979-001 GLOVE KIT-SIZE 9 1/2 (INC. 1 PAIR OF GLOVES, 1 PAIR OF LEATHER GLOVES & 1 GLOVE BAG REF. 5)	1				

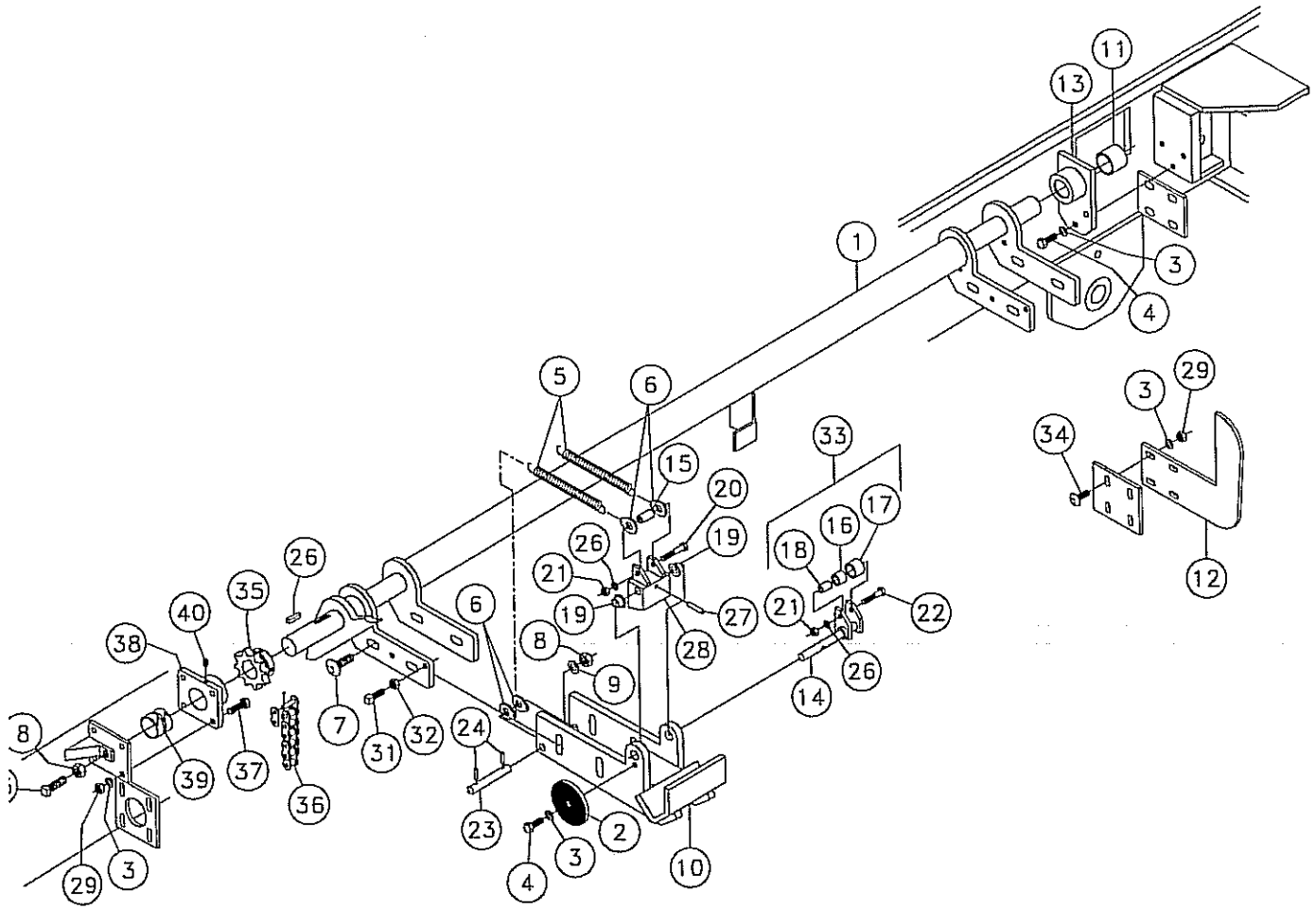
HYDRAULIC COMPONENTS LOCATION DIAGRAM - ROD LOADER

Figure 10-1



PIVOT ARM ASSEMBLY

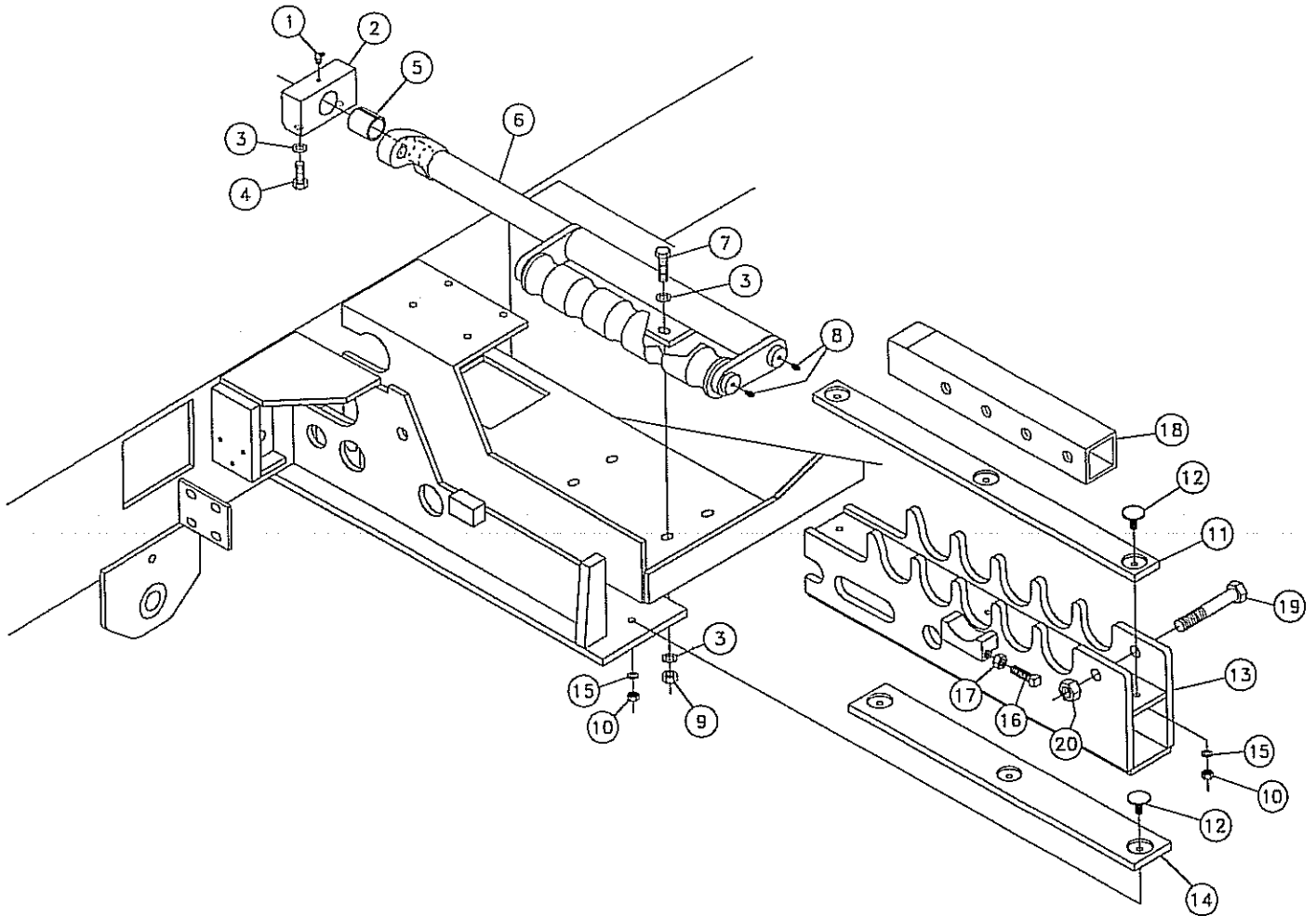
Figure 10-2



REF. NO.	PART NO.	DESCRIPTION	QTY.	REF. NO.	PART NO.	DESCRIPTION	QTY.
10-2	1	245050-001 PIVOT-LOADER ARM	1	10-2	22	248030-001 BOLT-5/16-18X1 3/4 GR8 ZINC PL	2
10-2	2	230863-001 DISK-HOLDER	2	10-2	23	228153-001 BAR-SPRING ATTACHMENT	2
10-2	3	235713-001 WASHER-3/8 SAE HARD ZINC PLTD	17	10-2	24	1978-011 PIN-ROLL 3/16 X 1	4
10-2	4	235726-001 BOLT-3/8-16X3/4 GR8 HEX ZNCPLT	5	10-2	25	550-014 SQ HSS-1/2-13X1 1/2	1
10-2	5	1789-009 SPRING - EXTENSION 5"	4	10-2	26	578-001 HKEYS-1/4X1/4X1	1
10-2	6	230960-001 PLATE-WASHER TAB	8	10-2	27	1788-023 PIN-EXPANSION 1/4 X 1 1/4	2
10-2	7	377-014 BOLT-1/2-13X1 1/2*GD#5CARRIAGE	8	10-2	28	228147-001 BAR-SPRING LOCK	2
10-2	8	235731-001 NUT-1/2-13 GR8 ZINC PLTD	9	10-2	29	235725-001 NUT-3/8-16 GR8 ZINC PLTD	8
10-2	9	485-025 WASHER-1/2 FLAT-HARDENED-ZINC	8	10-2	30	248029-001 BOLT-5/16-18X2 1/2 GR8 ZINC PL	3
10-2	10	228145-001 ARM-ROD LOADER	2	10-2	31	235320-001 SQ HSS -3/8-16X1 CUP PI (ZINC)	4
10-2	11	224738-001 BRZ.BUSHING-1.252X1.502-1 1/4	1	10-2	32	413-001 NUT-3/8 NC HEX JAM	4
10-2	12	225210-001 PLATE-RELEASE	2	10-2	33	240770-001 ROD RELEASE ROLLER ASSY	2
10-2	13	228137-001 BUSHING-ROD LOADER ARM (INC. REF. 11)	1	10-2	34	375-010 BOLT-3/8*-16X1*GD#5 CARRIAGE	8
10-2	14	228146-001 ROD-RELEASE ARM	2	10-2	35	245040-001 SPROCKET-ROD LOADER	1
10-2	15	228148-001 TUBE-ROUND SPRING ATTACH	2	10-2	36	245072-001 CHAIN-ROD LOADER (3/4"P,22 PIT 1773-005	1
10-2	16	228152-001 BRZ BUSHING- .753X.503-.625	2			CONN. LINK - 60-1 SF PKGD	
10-2	17	228150-001 TUBE-ARM ROLLER	2			ROLLER LINK - 60-1 PKGD	
10-2	18	228151-001 TUBE-ROLLER ARM MOUNT	2			OFFSET LINK - 60-1 PKGD	
10-2	19	230999-001 BRZ BUSHING-.627 X .502 - .50	4	10-2	37	235723-001 BOLT-3/8*-16X1 1/2" GR 8 HEX ZINC	4
10-2	20	238211-001 BOLT-5/16-18X2 GR8 HEX ZINC YC	2	10-2	38	245044-001 PIVOT- ROD LOADER	1
10-2	21	240333-001 NUT-5/16-18 GR8 TL ZINC PLTD	4	10-2	39	245045-001 BUSHING-1 1/2OD X 1 1/4ID STE	1
				10-2	40	598-001 ZERK-1/4" NF ST GREASE	1

ROD LIFT/SELECTOR ASSEMBLY

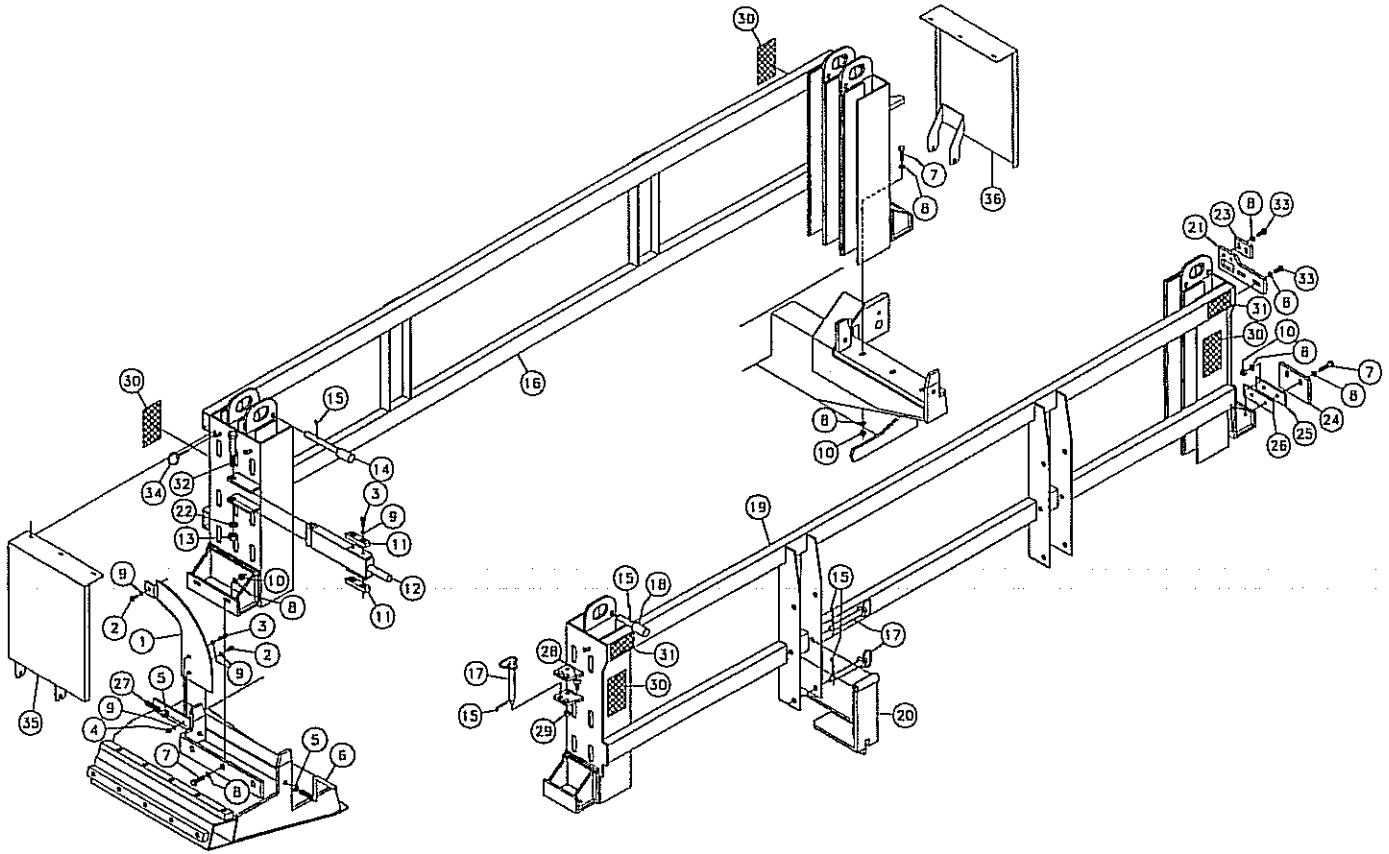
Figure 10-3



REF. NO.	PART NO.	DESCRIPTION	QTY.
10-3	1	596-001 ZERK-1/4" NF 45 DEG GREASE	2
10-3	3	485-025 WASHER-1/2 FLAT-HARDENED-ZINC (INC. ONE EACH OF REF. 1 & 5)	20
10-3	4	235737-001 BOLT-1/2-13X1 1/4 GR8 ZINC PLT	4
10-3	5	1835-085 BUSHING-STL.1 1/2X1 1/4-1 1/4	2
10-3	6	236147-003 LIFT ASSEMBLY-ROD LOADER (INC. TWO OF REF. 8)	2
10-3	7	240334-001 BOLT-1/2-13X1 3/4 GR8 ZINC PLT	8
10-3	8	598-001 ZERK-1/4" NF ST GREASE	4
10-3	9	75382-001 NUT-1/2-UNC GRADE 8 SLTL	8
10-3	10	15289-001 NUT-3/8-16NC SLTL GRADE 8	12
10-3	11	236193-001 PLATE-PLASTIC SLIDE	2
10-3	12	5638-014 3/8-16X1 1/2 ELEV BOLT SPECIAL	12
10-3	13	236156-001 SELECTOR-SLIDE	2
10-3	14	236192-001 BAR-PLASTIC SLIDE	2
10-3	15	235713-001 WASHER-3/8 SAE HARD ZINC PLTD	12
10-3	16	550-014 SQ HSS-1/2-13X1 1/2	4
10-3	17	235722-001 NUT-1/2-13 GR8 JAM ZINC PLTD	4
10-3	18	241524-001 TUBE-SELECTOR	2
10-3	19	235738-001 BOLT-3/4-10X4 1/2 GR8 ZNC PLT	2
10-3	20	397-001 NUT-3/4-10 GR 8 SLTL	4

ROD BOX ASSEMBLY

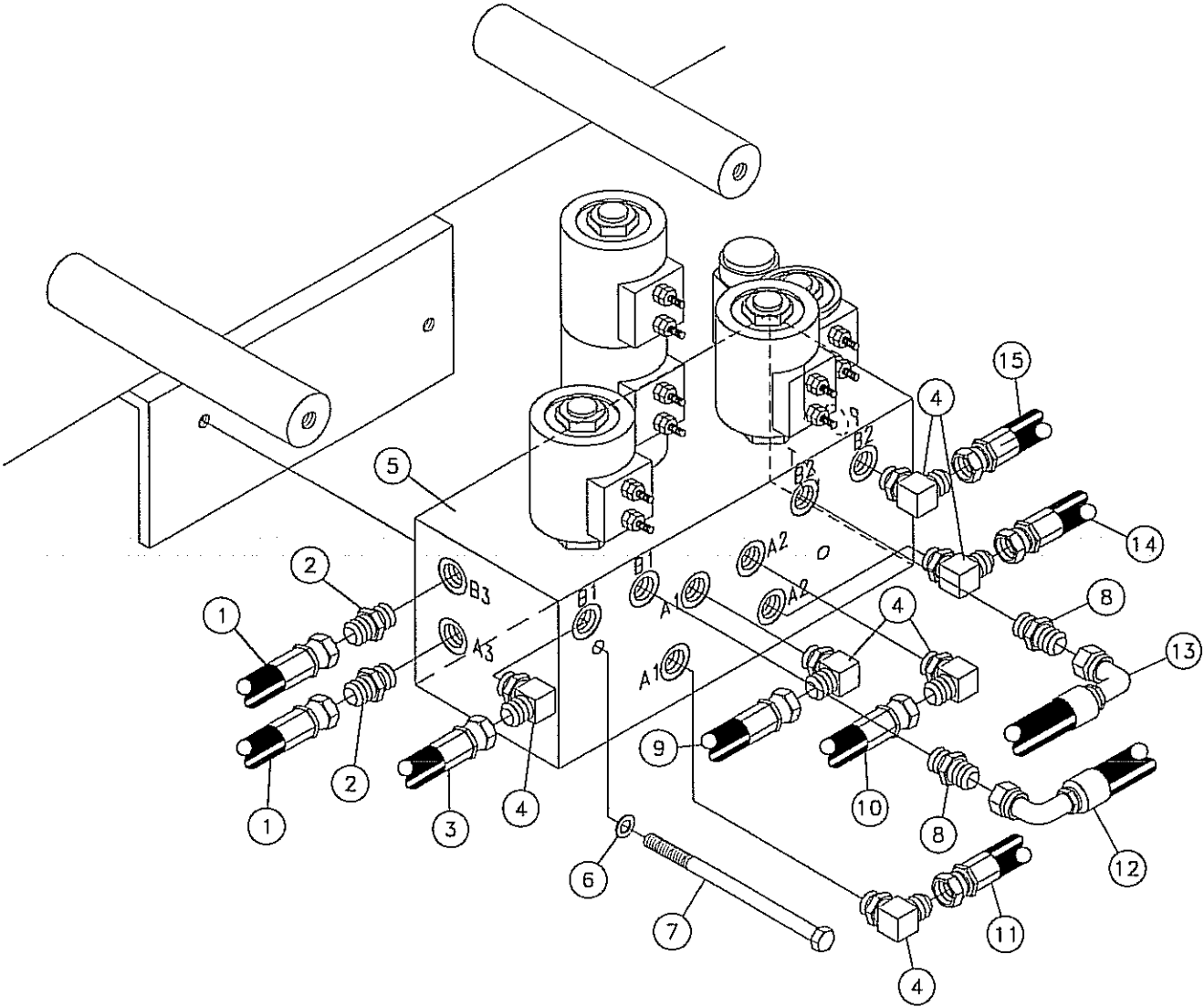
Figure 10-4



REF. NO.	PART NO.	DESCRIPTION	QTY.	REF. NO.	PART NO.	DESCRIPTION	QTY.
10-4	1	228066-001	1	10-4	20	ARM-ROD KEEPER	2
10-4	2	235726-001	2	10-4	21	BAR-LOCK	1
10-4	3	235736-001	5	10-4	22	WASHER-3/4 SAE HARD ZINC PLTD	1
10-4	4	235725-001	1	10-4	23	BAR-LOCK	1
10-4	5	238248-001	4	10-4	24	BAR-STOP	1
10-4	6	236463-001	2	10-4	25	BAR-SPACER	1
10-4	7	235718-001	4	10-4	26	PLATE-SHIM	1
10-4	8	485-025	12	10-4	27	SQ HSS-5/8-11X2 CUP PT(ZINC)	2
10-4	9	235713-001	4	10-4	28	377-012 BOLT-1/2-13X1 1/4"GD#5CARRIAGE	1
10-4	10	235731-001	6	10-4	29	NUT-1/2-13 GR8 JAM ZINC PLTD	1
10-4	11	236183-001	2	10-4	30	7000A-627 DECAL-DANGER	4
10-4	12	236228-001	1	10-4	31	70000-563 DECAL-WARNING (UND)	2
10-4	13	250510-001	1	10-4	32	240340-001 BOLT-3/4-10X5 GR8 ZINC PLTD	1
10-4	14	236460-001	2	10-4	33	235729-001 BOLT-1/2-13X1 GR8 HEX ZINC PLT	4
10-4	15	1794-003	9	10-4	34	1797-003 PIN-QUICK ATTACHMENT 1/4"	6
10-4	16	251270-003	1	10-4	35	243232-001 COVER ROD BOX END	1
10-4	17	2107-007	5	10-4	36	243233-001 COVER ROD BOX END	1
10-4	18	236462-001	2				
10-4	19	251278-001	1				
		BOX ASSY-TWO ROW ROD (INC. TWO EACH OF REF. 30 & 31)					

ROD LOADER VALVE ASSEMBLY

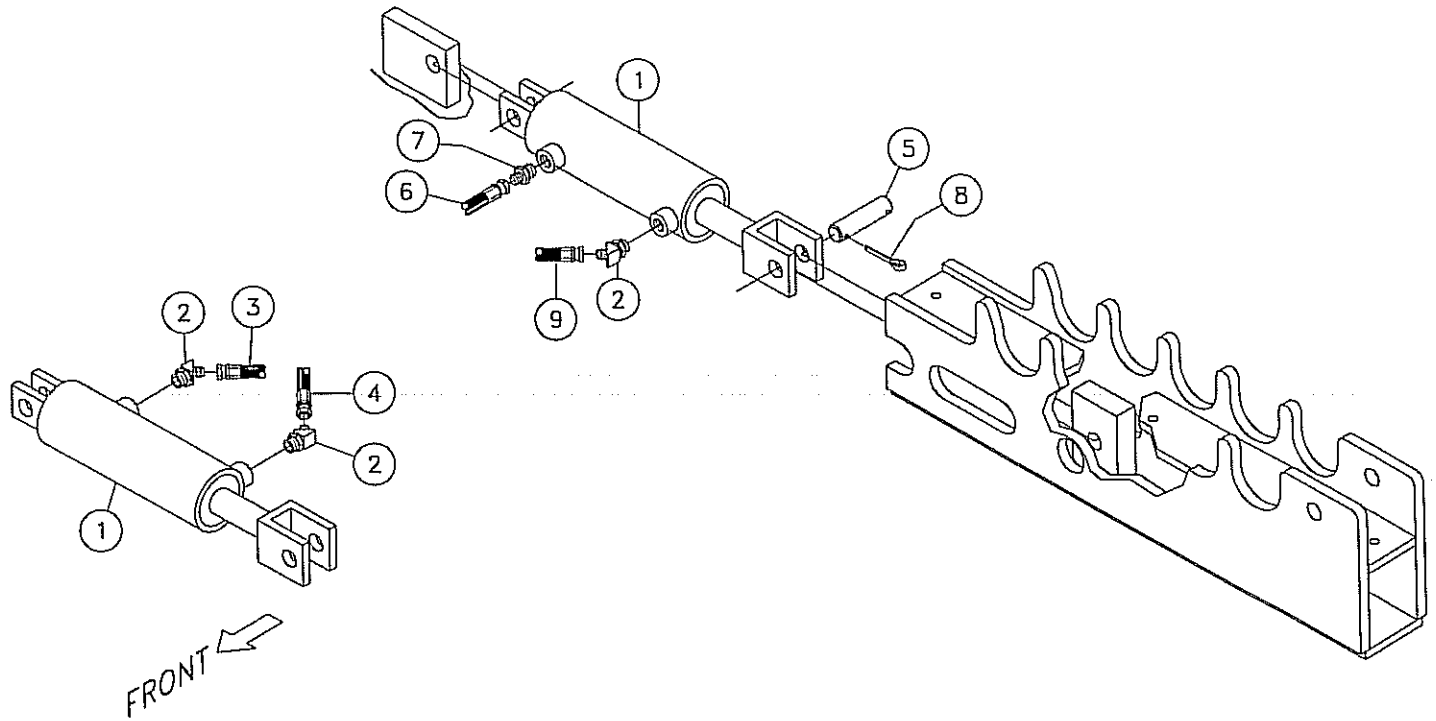
Figure 10-5



REF. NO.	PART NO.	DESCRIPTION	QTY.
10-5	1	53843-239 HOSE-1/4X26 4FS JIC 3000 PSI	2
10-5	2	236439-001 FITTING-4MOR X 4MJIC R.031	2
10-5	3	53843-447 HOSE-1/4X50 4FS JIC 3000 PSI	1
10-5	4	59423-001 FIT-4M JICX4M ADJ.90 DEG.ELBOW	6
10-5	5	240942-001 VALVE (BREAKDOWN FIG. 5-22)	1
10-5	6	235716-001 WASHER-1/4 SAE HARD ZINC PLTD	2
10-5	7	238243-001 BOLT 1/4"-20 X 4" GR8 HEX Y/Z	2
10-5	8	60908-001 FITTING-4MX4M JIC STR ADAPTER	2
10-5	9	68210-033 HOSE-1/4X58 4FS JIC 3000PSI	1
10-5	10	53843-005 HOSE-1/4X54 4FS JIC 3000 PSI	1
10-5	11	53843-339 HOSE-1/4X44 4FS JIC 3000 PSI	1
10-5	12	249042-001 HOSE-1/4"X 51" ST/90 3000PSI	1
10-5	13	232124-045 HOSE-1/4 X 54 FSJIC X FSJIC 90	1
10-5	14	53843-567 HOSE-1/4X46 4FS JIC 3000 PSI	1
10-5	15	53843-599 HOSE-1/4X40 4FS JIC 3000 PSI	1

ROD SELECTOR CYLINDER ASSEMBLY

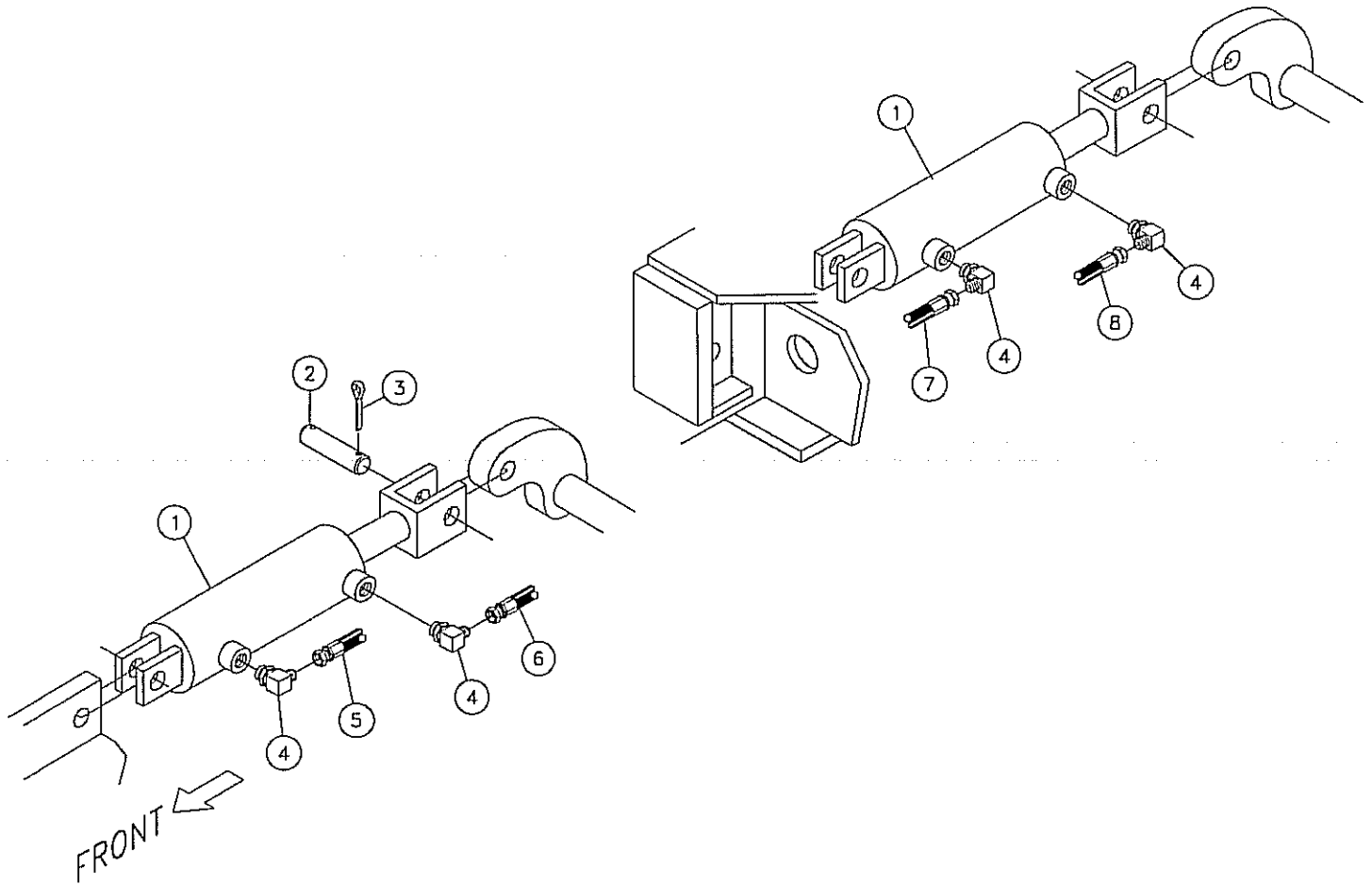
Figure 10-6



REF. NO.	PART NO.	DESCRIPTION	QTY.
10-6	1	219107-001 CYL-2 X 5 (BREAKDOWN FIG. 10-9)	2
10-6	2	82931-001 FITTING-6MX4M JIC 45DEG.ELBOW	3
10-6	3	53843-005 HOSE-1/4X54 4FS JIC 3000 PSI	1
10-6	4	232124-045 HOSE-1/4 X 54 FSJIC X FSJIC 90	1
10-6	5	902445-001 PIN-CYLINDER	4
10-6	6	53843-599 HOSE-1/4X40 4FS JIC 3000 PSI	1
10-6	7	57968-001 6M O-RING 4M JIC STRAIGHT	1
10-6	8	510-047 PIN - 3/16 X 1 1/4 COTTER	8
10-6	9	53843-567 HOSE-1/4X46 4FS JIC 3000 PSI	1

ROD LIFTER CYLINDER ASSEMBLY

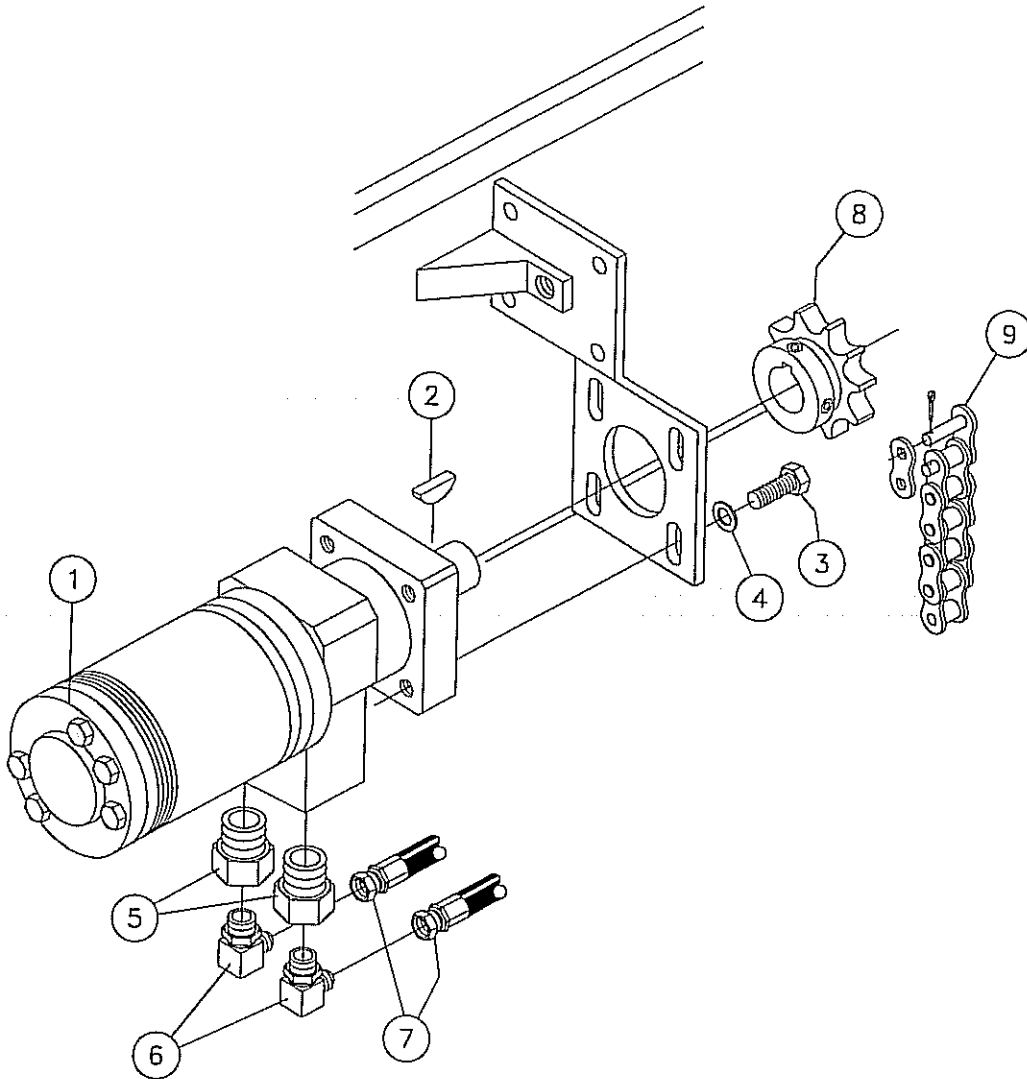
Figure 10-7



<u>REF. NO.</u>	<u>PART NO.</u>	<u>DESCRIPTION</u>	<u>QTY.</u>
10-7	1	230958-001 CYLINDER-1 1/2 X 5 (BREAKDOWN FIG. 10-10)	2
10-7	2	902445-001 PIN-CYLINDER	4
10-7	3	510-047 PIN - 3/16 X 1 1/4 COTTER	4
10-7	4	600118-001 FITTING-6MORINGX4MJIC90PARKER	4
10-7	5	68210-033 HOSE-1/4X58 4FS JIC 3000PSI	1
10-7	6	53843-447 HOSE-1/4X50 4FS JIC 3000 PSI	1
10-7	7	53843-339 HOSE-1/4X44 4FS JIC 3000 PSI	1
10-7	8	249042-001 HOSE-1/4*X 51* ST/90 3000PSI	1

ROTATION MOTOR ASSEMBLY

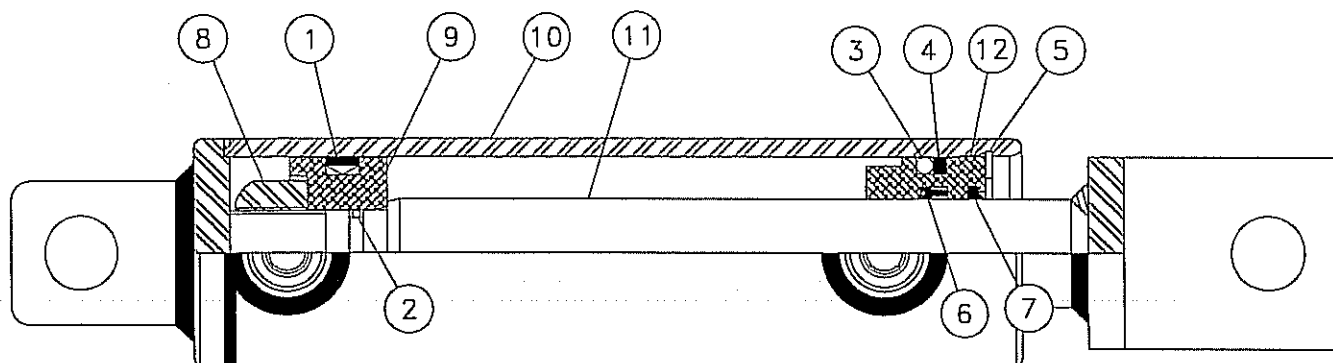
Figure 10-8



REF. NO.	PART NO.	DESCRIPTION	QTY.
10-8	1	214193-001 MOTOR-HYD (BREAKDOWN FIG. 10-11)	1
10-8	2	542-009 WOODRUFF KEY-#15 1/4 X 1	1
10-8	3	235727-001 BOLT-3/8-16X1 GR8 HEX ZINC PLT	4
10-8	4	235713-001 WASHER-3/8 SAE HARD ZINC PLTD	4
10-8	5	57967-001 10M-6F O-RING BUSHING	2
10-8	6	57950-001 FITTING-6M X 4 JIC 90 DEG.	2
10-8	7	53843-239 HOSE-1/4X26 4FS JIC 3000 PSI	2
10-8	8	245041-001 SPROCKET ROD LOADER MOTOR	1
10-8	9	245072-001 CHAIN-ROD LOADER (3/4"P,22 PIT)	1
		1773-005 CONN. LINK - 60-1 SF PKGD	
		1769-005 ROLLER LINK - 60-1 PKGD	
		1770-005 OFFSET LINK - 60-1 PKGD	

HYDRAULIC CYLINDER COMPONENTS - 2" X 5"

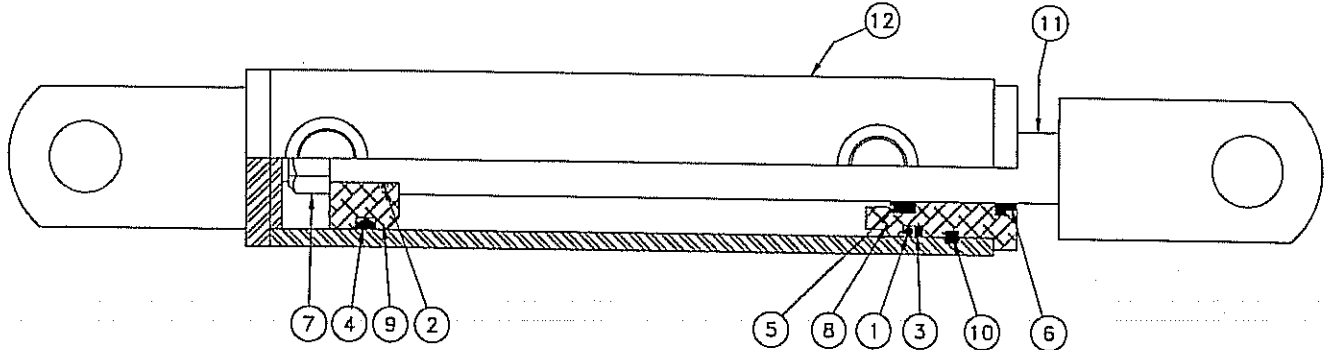
Figure 10-9



<u>REF. NO.</u>	<u>PART NO.</u>	<u>DESCRIPTION</u>	<u>QTY.</u>
10-9	1	200833-001 UNIRING 12G-200120-312	1
10-9	2	208-007 O-RING-SPRG CAP	1
10-9	3	51181-001 O-RING	1
10-9	4	200914-001 WASHER-326 BACKUP	1
10-9	5	602-200 SNAP RING-INT. N5000-200 2"	1
10-9	6	219107-009 LOADED U-CUP	1
10-9	7	219107-011 ROD WIPER	1
10-9	8	330-011 NUT-7/8-14 NF SLTL GR.C	1
10-9	9	219107-013 PISTON	1
10-9	10	219107-003 BARREL ASSEMBLY	1
10-9	11	219107-005 ROD ASSEMBLY	1
10-9	12	219107-007 SNAP RING HEAD	1
	219107-001	CYL-2 X 5 (INC. REF. 1-12)	
	219107-015	REPAIR KIT-2"CYLINDER (INC. REF. 1-7)	

HYDRAULIC CYLINDER COMPONENTS - 1 1/2" X 5"

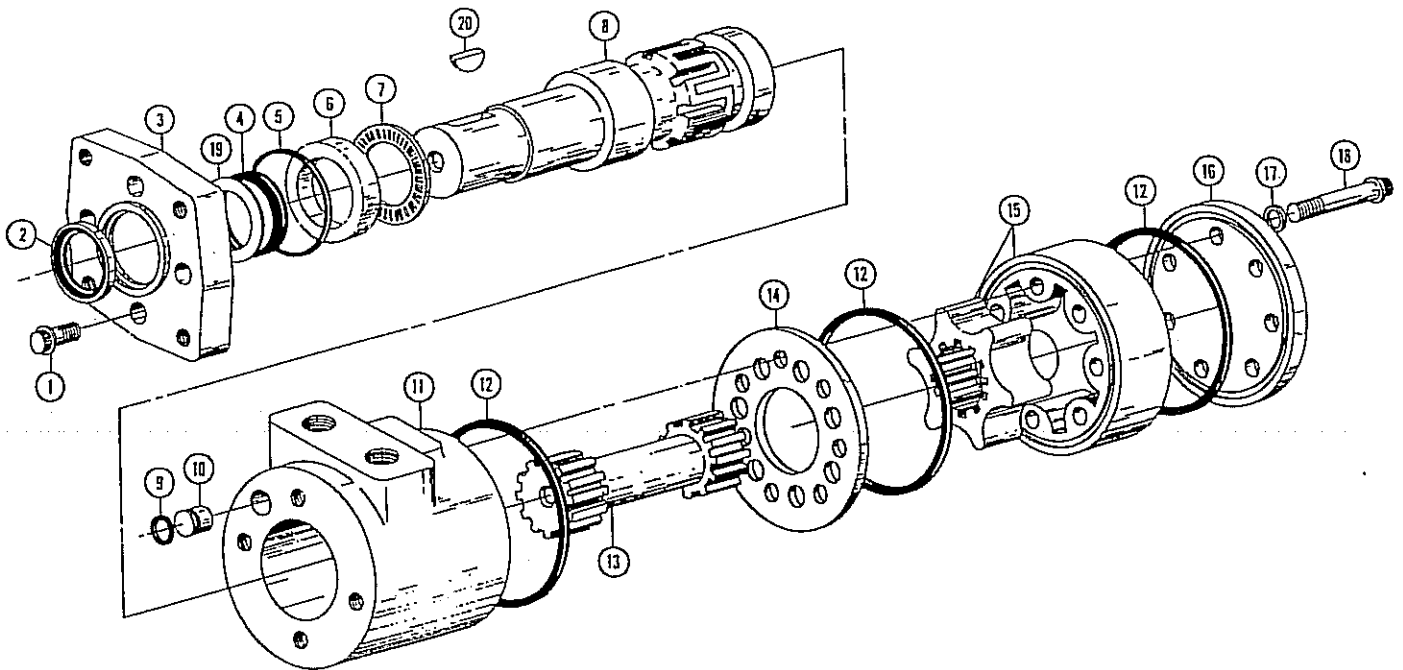
Figure 10-10



REF. NO.	PART NO.	DESCRIPTION	QTY.
1-10	1	4883-001 O-RING	1
1-10	2	16138-031 O-RING	1
1-10	3	60531-001 BACK-UP WASHER	1
1-10	4	230958-003 UNIRING	1
1-10	5	230958-005 ROD SEAL	1
1-10	6	230958-007 WIPER-ROD	1
1-10	7	230958-009 NUT	1
1-10	8	230958-011 HEAD	1
1-10	9	230958-013 PISTON	1
1-10	10	230958-015 KEYSTOCK	1
1-10	11	230958-017 ROD-PISTON	1
1-10	12	230958-019 BODY-CYLINDER	1
	230958-001	CYLINDER-1 1/2 X 5 (INC. REF. 1-12)	
	230958-021	REPAIR KIT -1 1/2' CYL (INC. REF. 1-6)	

HYDRAULIC MOTOR COMPONENTS

Figure 10-11

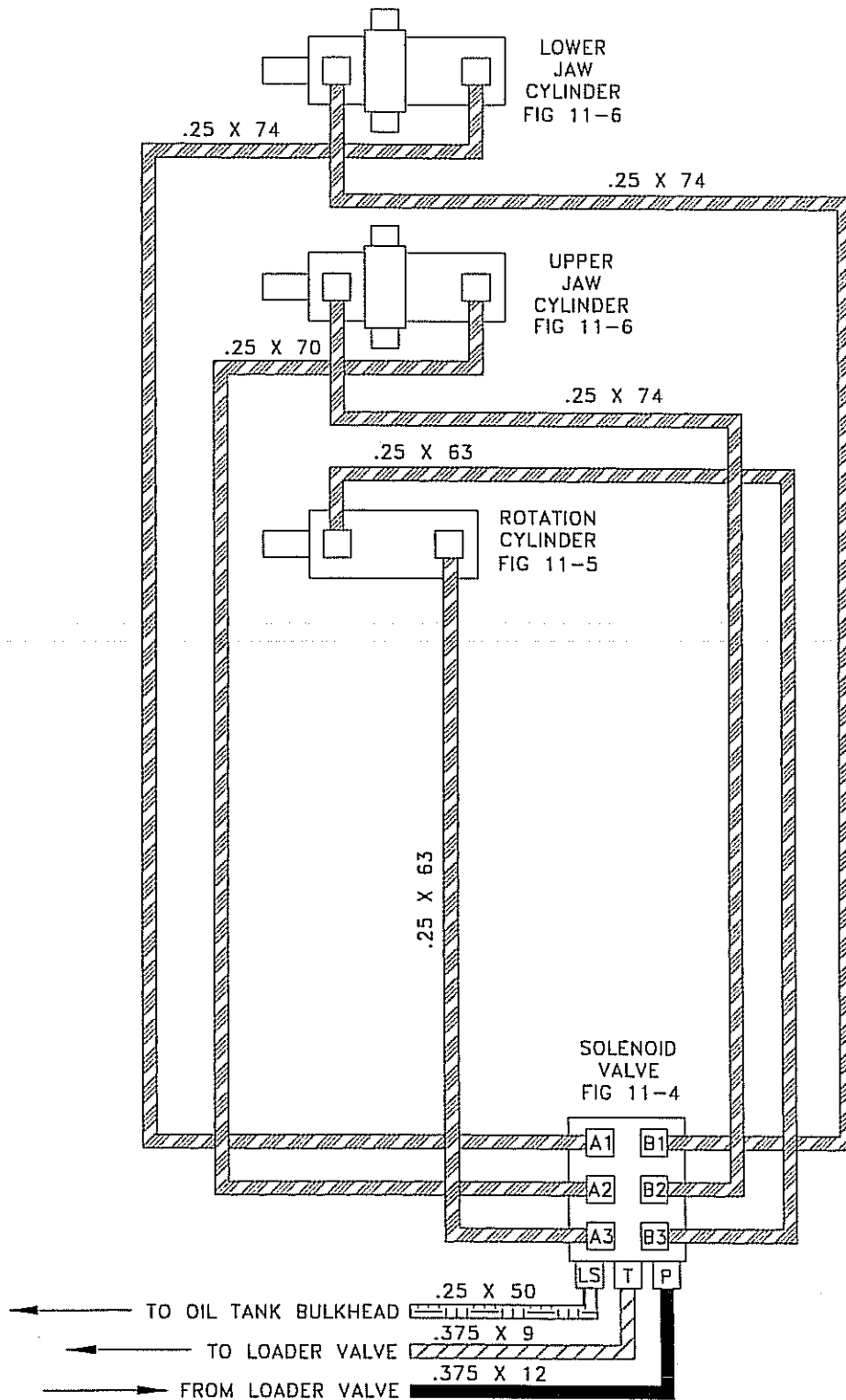


REF. NO.	PART NO.	DESCRIPTION	QTY.	REF. NO.	PART NO.	DESCRIPTION	QTY.
10-11	1	1749-003 SCREW-CAP	4	10-11	15	NSS GEROLER ASSEMBLY	1
10-11	2	751-003 SEAL-DUST	1	10-11	16	751-021 CAP-END	1
10-11	3	900028-003 FLANGE 4BOLT MOUNTING	1	10-11	17	215258-001 WASHER-SEAL	7
10-11	4	900028-005 SEAL SHAFT PRESSURE	1	10-11	18	1754-005 SCREW-CAP	7
10-11	5	6284-003 SEAL-9091-1	1	10-11	19	79530-009 WASHER-BACK UP	1
10-11	6	751-009 RACE-BEARING	1	10-11	20	542-009 WOODRUFF KEY-#15 1/4 X 1	1
10-11	7	751-011 BEARING-THRUST NEEDLE	1				
10-11	8	751-013 SHAFT-OUTPUT KEYED-1	1		214193-001	MOTOR-22.6 CID HYD (INC. REF. 1-20)	
10-11	9	765-007 SEAL-O RING	1		900028-021	SEAL REPAIR KIT (INC. REF. 2, 4, 5, 9, 12, 17 & 19)	
10-11	10	765-009 PLUG	1		NSS	NOT SOLD SEPARATELY	
10-11	11	214193-003 HOUSING-7/8-14 O RING PORTS	1				
10-11	12	900028-013 SEAL	3				
10-11	13	214193-005 DRIVE	1				
10-11	14	751-017 PLATE-SPACER	1				

NOTE: WHEN ORDERING REPLACEMENT PARTS, INCLUDE PRODUCT NUMBER 101-1016-009 WITH ORDER.

HYDRAULIC COMPONENTS LOCATION DIAGRAM - VISE CLAMP

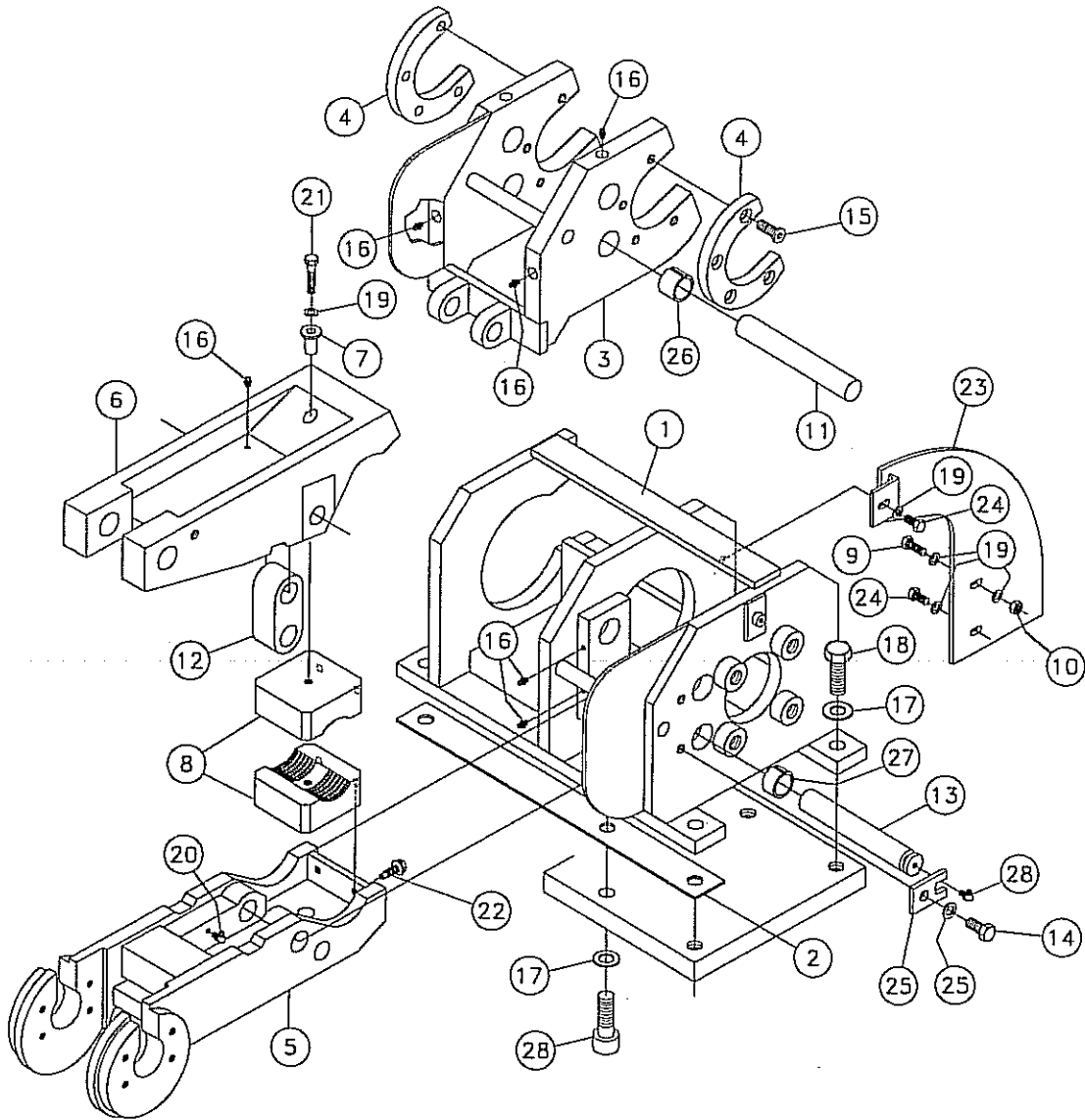
Figure 11-1



- RETURN LINE
- PRESSURE/RETURN LINE
- PRESSURE LINE
- LOAD SENSING LINE
- DIRECTION OF OIL FLOW

CLAMP ASSEMBLY

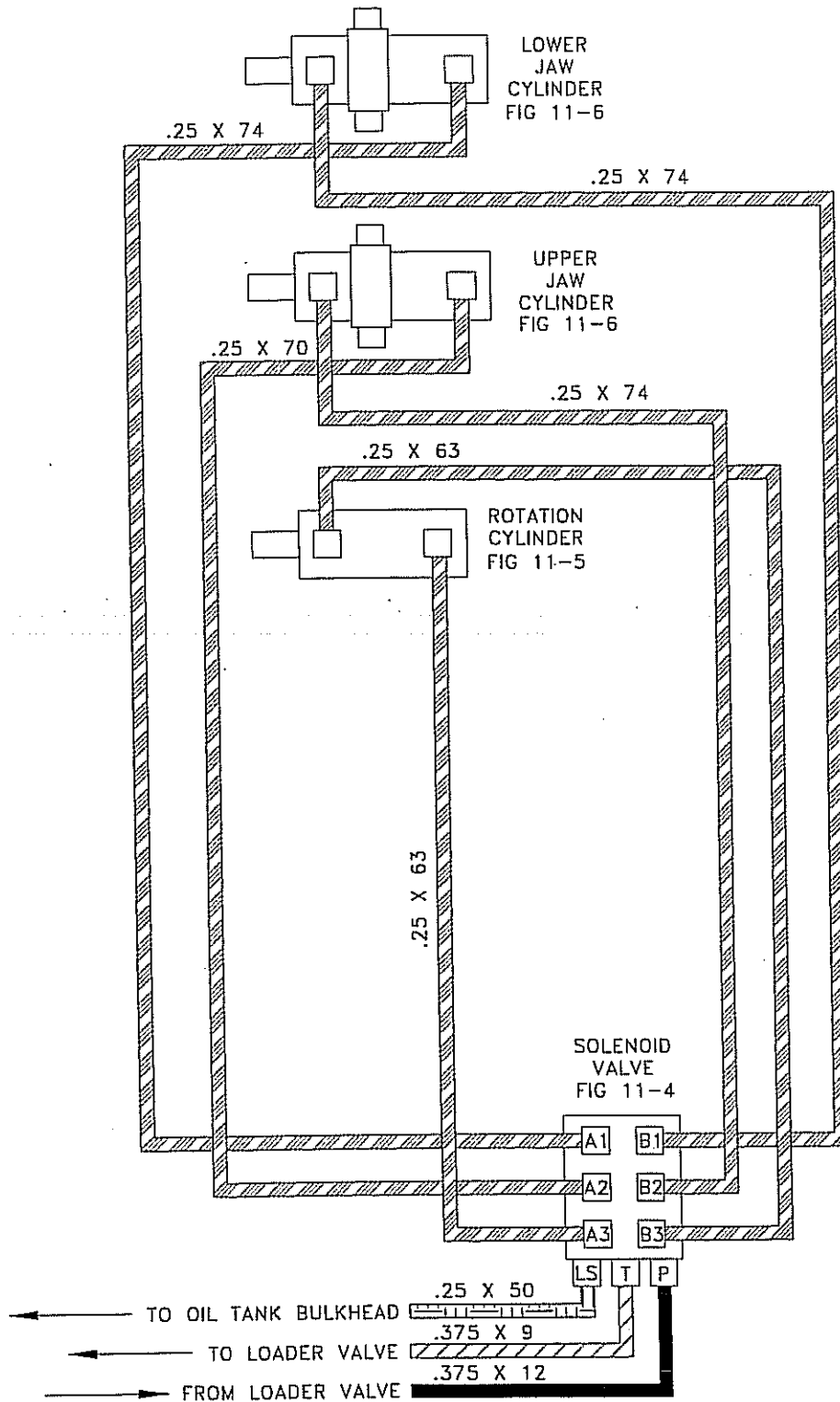
Figure 11-2



REF. NO.	PART NO.	DESCRIPTION	QTY.	REF. NO.	PART NO.	DESCRIPTION	QTY.	
11-2	1	243025-003	FRAME ASSEMBLY-VISE (INC. TWO OF REF. 16 & REF. 27)	11-2	13	240909-003	PIN ASSEMBLY-VISE (INC. ONE OF REF. 28)	
11-2	2	228030-001	SHIM-MOUNTING 1/16	A/R	11-2	14	235729-001	BOLT-1/2-13X1 GR8 HEX ZINC PLT
		228036-001	SHIM-MOUNTING 1/8	A/R	11-2	15	240854-001	SCREW-1/2-13 UNCX1 1/4 LOW SH
11-2	3	240885-003	PIVOT ASSEMBLY-VISE (INC. FOUR OF REF. 16 & REF. 26)	11-2	16	598-001	ZERK-1/4" NF ST GREASE	
11-2	4	240908-001	PLATE-INSERT	11-2	17	235717-001	WASHER-3/4 SAE HARD ZINC PLTD	
11-2	5	240910-003	ARM ASSEMBLY-LOWER VISE (INC. TWO OF REF. 20)	11-2	18	235746-001	BOLT-3/4-10X2 GR8 HEX ZNC PLTD	
11-2	6	240916-003	ARM ASSEMBLY-UPPER VISE (INC. TWO OF REF. 16)	11-2	19	235713-001	WASHER-3/8 SAE HARD ZINC PLTD	
				11-2	20	597-001	ZERK-1/4" NF 90 DEG GREASE	
11-2	7	228064-001	INSERT-FASTENER	11-2	21	235720-001	BOLT-3/8-16X1 3/4 GR8 ZINC PLT	
11-2	8	240898-001	BAR-JAW 2 1/16 CURVED	11-2	22	249161-001	BOLT-JAW PIN 3/8-16 X 1 SPEC	
11-2	9	235727-001	BOLT-3/8-16X1 GR8 HEX ZINC PLT	11-2	23	228066-001	PLATE- GUIDE	
11-2	10	235725-001	NUT-3/8-16 GR8 ZINC PLTD	11-2	24	235726-001	BOLT-3/8-16X3/4 GR8 HEX ZNCPLT	
11-2	11	240918-001	PIN-PIVOT	11-2	25	235929-001	PLATE-TAB	
11-2	12	240917-001	PLATE-LINK	11-2	26	240877-001	BSHG-STL 1 3/8 ODX1 1/8 ID-1.0	
				11-2	27	240878-001	BSHG-STL 1 3/8 ODX1 1/8 ID-.75	
				11-2	28	249153-001	SCREW-3/4-10X2 1/4 GR8 Y/ZINC	

HYDRAULIC COMPONENTS LOCATION DIAGRAM - VISE CLAMP

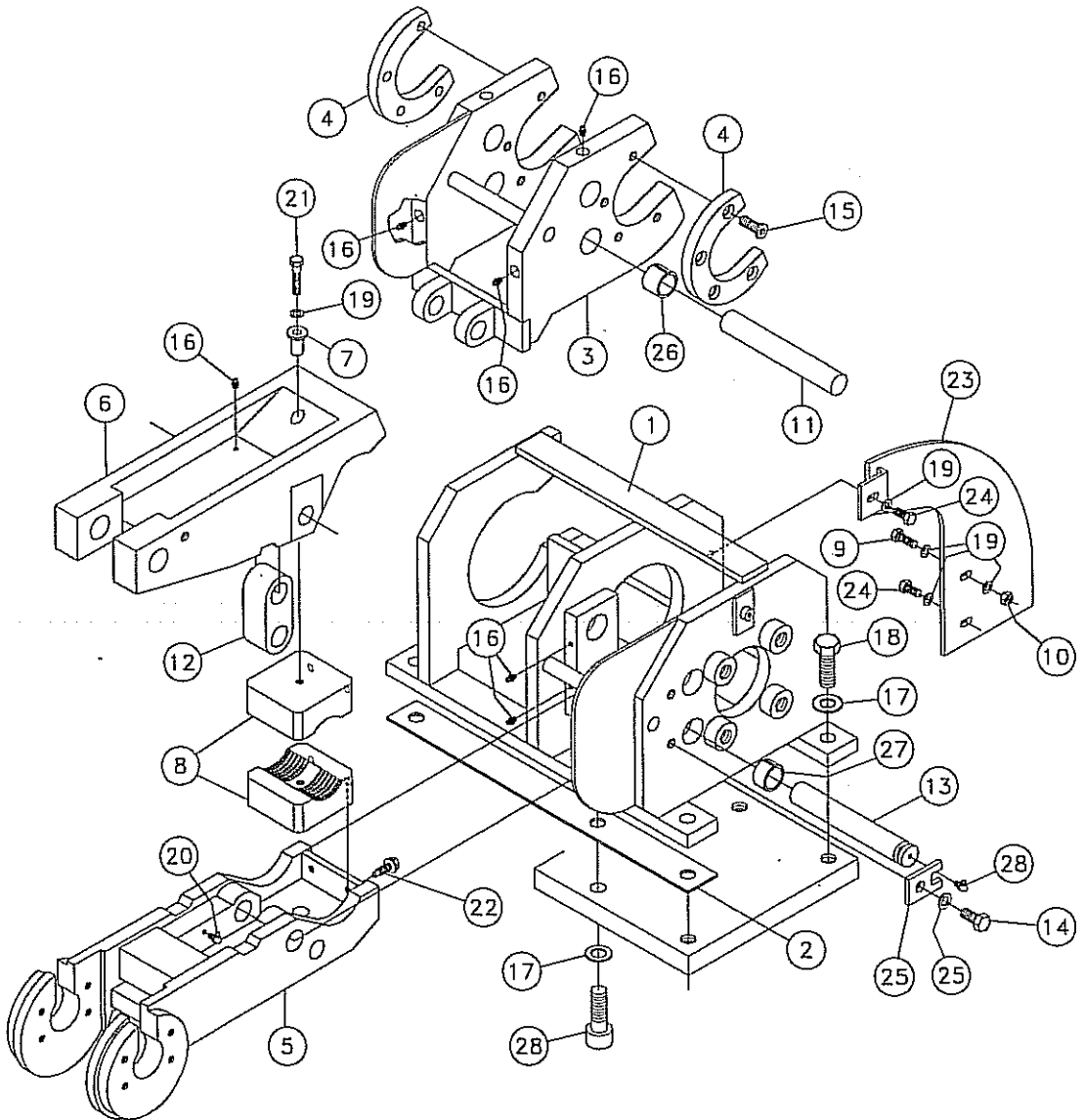
Figure 11-1



CLAMP ASSEMBLY

Figure 11-2

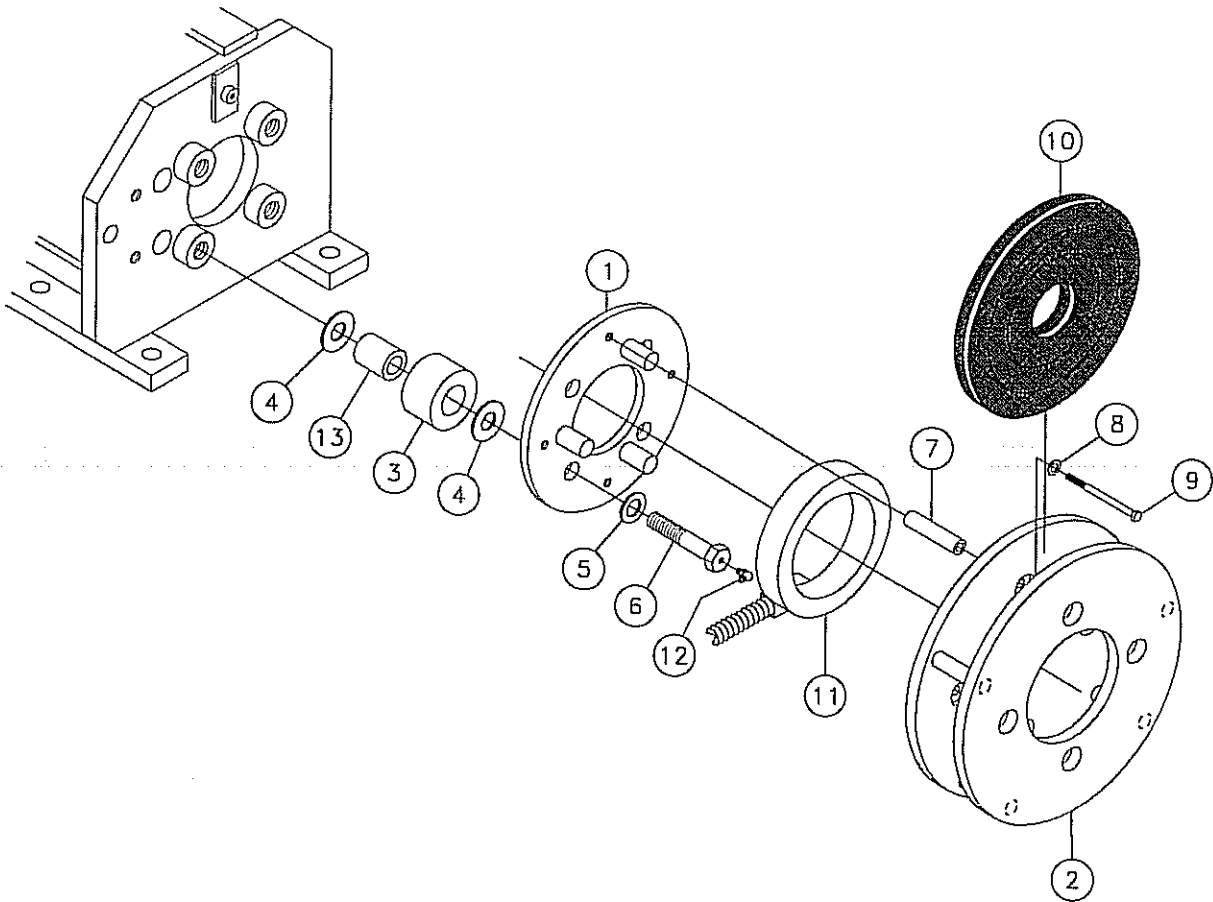
Revised February 1999 due to update in parts list. Changed parts marked with *.



REF. NO.	PART NO.	DESCRIPTION	QTY.	REF. NO.	PART NO.	DESCRIPTION	QTY.
11-2	1	243025-003	FRAME ASSEMBLY-VISE (INC. TWO OF REF. 16 & REF. 27)	11-2	13	240909-003	PIN ASSEMBLY-VISE (INC. ONE OF REF. 28)
11-2	2	228030-001	SHIM-MOUNTING 1/16	A/R	14	235729-001	BOLT-1/2-13X1 GR8 HEX ZINC PLT
		228036-001	SHIM-MOUNTING 1/8	A/R	15	240854-001	SCREW-1/2-13 UNCX1 1/4 LOW SH
11-2	3	240885-003	PIVOT ASSEMBLY-VISE (INC. FOUR OF REF. 16 & REF. 26)	11-2	16	598-001	ZERK-1/4" NF ST GREASE
11-2	4	240908-001	PLATE-INSERT	11-2	17	235717-001	WASHER-3/4 SAE HARD ZINC PLTD
11-2	5	*235353-003	ARM ASSEMBLY-LOWER VISE (INC. TWO OF REF. 20)	11-2	18	235746-001	BOLT-3/4-10X2 GR8 HEX ZINC PLTD
11-2	6	240916-003	ARM ASSEMBLY-UPPER VISE (INC. TWO OF REF. 16)	11-2	19	235713-001	WASHER-3/8 SAE HARD ZINC PLTD
11-2	7	228064-001	INSERT-FASTENER	11-2	20	*597-001	ZERK-1/4" NF 90 DEG GREASE
11-2	8	240898-001	BAR-JAW 2 1/16 CURVED	11-2	21	235720-001	BOLT-3/8-16X1 3/4 6R8 ZINC PLT
11-2	9	235727-001	BOLT-3/8-16X1 GR8 HEX ZINC PLT	11-2	22	249161-001	BOLT-JAW PIN 3/8-16 X 1 SPEC
11-2	10	235725-001	NUT-3/8-16 GR8 ZINC PLTD	11-2	23	228066-001	PLATE- GUIDE
11-2	11	240918-001	PIN-PIVOT	11-2	24	235726-001	BOLT-3/8-16X3/4 GR8 HEX ZNCPLT
11-2	12	240917-001	PLATE-LINK	11-2	25	235929-001	PLATE-TAB
				11-2	26	240877-001	BSHG-STL 1 3/8 ODX1 1/8 ID-1.0
				11-2	27	240878-001	BSHG-STL 1 3/8 ODX1 1/8 ID-.75
				11-2	28	249153-001	SCREW-3/4-10X2 1/4 GR8 YZINC

ZAP ALERT COIL ASSEMBLY

Figure 11-3

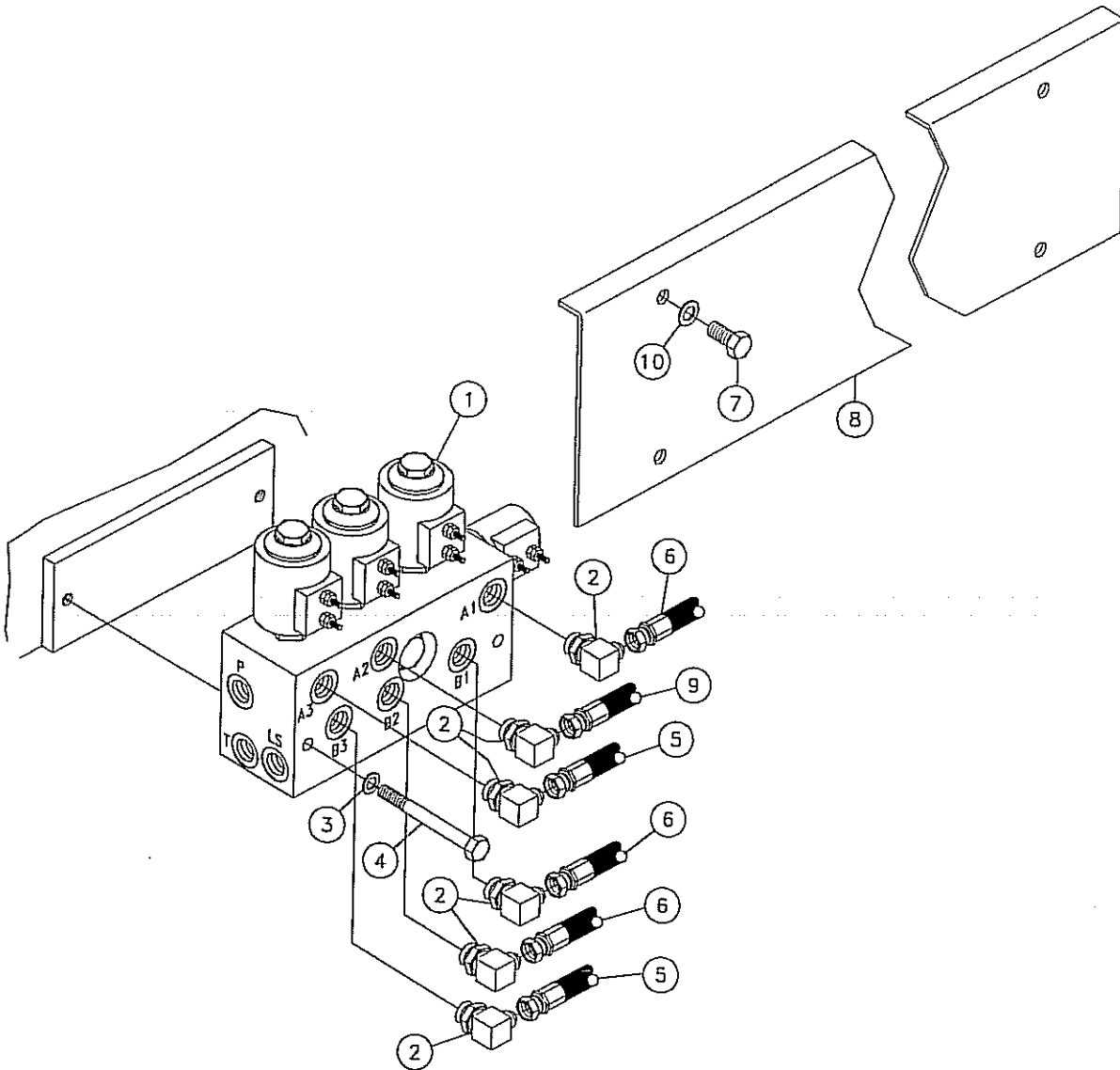


<u>REF. NO.</u>	<u>PART NO.</u>	<u>DESCRIPTION</u>	<u>QTY.</u>
11-3	1	228051-001 SUPPORT-ROLLER	1
11-3	2	235313-001 HOLDER-ROD WIPER	1
11-3	3	249081-001 ROLLER-GUIDE	4
11-3	4	485-017 WASHER-3/4 FLAT	8
11-3	5	235717-001 WASHER-3/4 SAE HARD ZINC PLTD	4
11-3	6	235915-003 BOLT ASSEMBLY-GREASE (INC. ONE OF REF. 12)	4
11-3	7	1079-049 TUBE-1"ODX11GA.RND-1 7/8	4
11-3	8	235713-001 WASHER-3/8 SAE HARD ZINC PLTD	4
11-3	9	16114-034 BOLT-3/8-16X3 1/2 HEX HD. GR8	4
11-3	10	235924-001 WIPER-2.38 OD ROD	1
11-3	11	230814-001 ZAP ALERT COIL -14'COAX(3-WIRE)	1
11-3	12	597-001 ZERK-1/4" NF 90 DEG GREASE	4
11-3	13	244678-001 BUSHING GUIDE ROLLER	4

— 244 679 -001

SOLENOID VALVE ASSEMBLY - 3 BANK (VISE CLAMP)

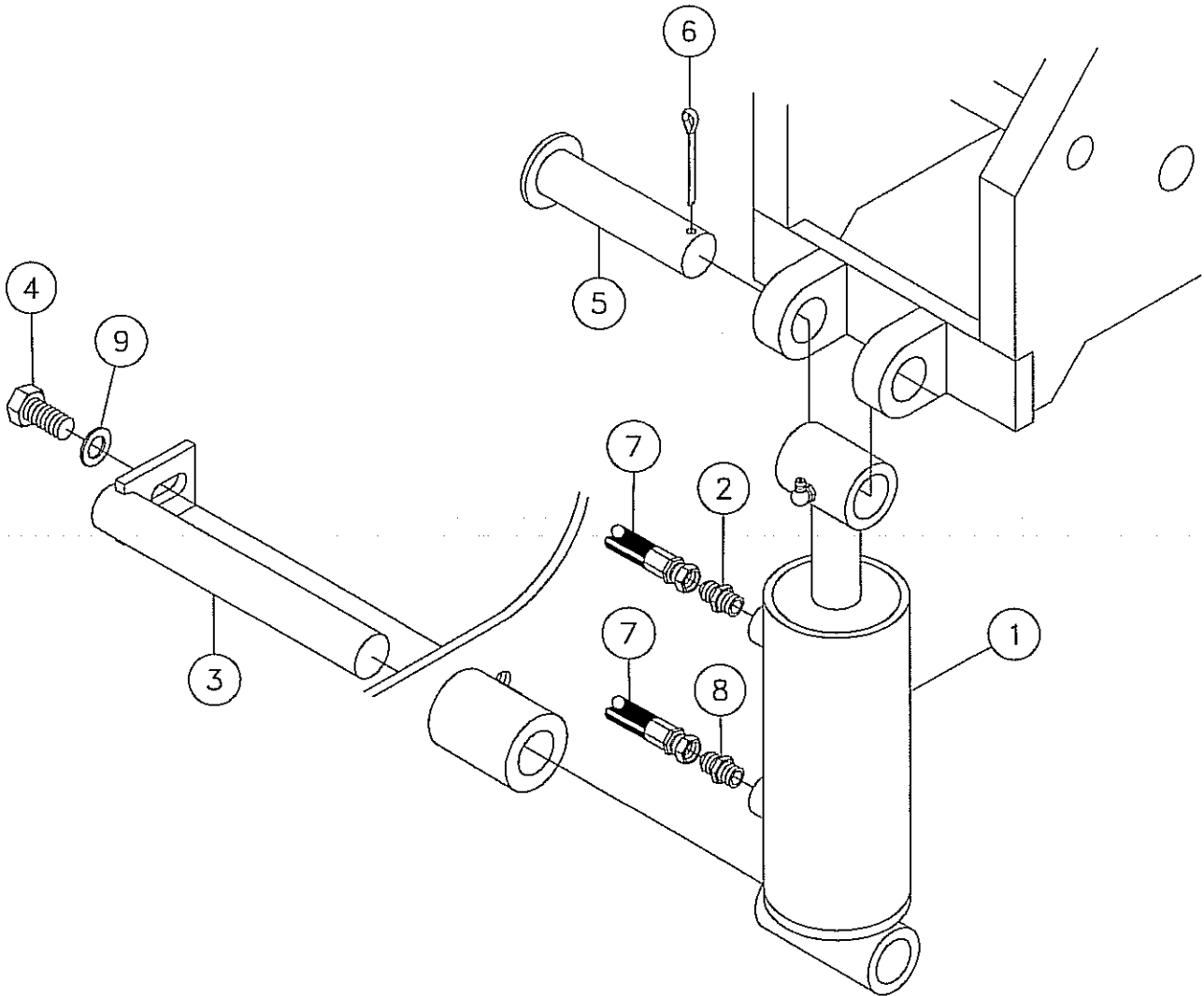
Figure 11-4



REF. NO.	PART NO.	DESCRIPTION	QTY.
11-4	1	240941-001 VALVE-VISE (BREAKDOWN FIG. 5-21)	1
11-4	2	57950-001 FITTING-6M X 4 JIC 90 DEG.	6
11-4	3	235714-001 WASHER-5/16 SAE HARD ZINC PLTD	2
11-4	4	238212-001 BOLT-5/16-18 X 3" GR8 HEX YZI	2
11-4	5	53843-587 HOSE-1/4X63 4FS JIC 3000 PSI	2
11-4	6	53843-119 HOSE-1/4X74 4FS JIC (100R1)	3
11-4	7	235726-001 BOLT-3/8-16X3/4 GR8 HEX ZNCPLT	4
11-4	8	228090-001 COVER-HOSE	1
11-4	9	53843-689 HOSE-1/4X70 4FS JIC 3000 PSI	1
11-4	10	235713-001 WASHER-3/8 SAE HARD ZINC PLTD	4

ROTATION CYLINDER ASSEMBLY

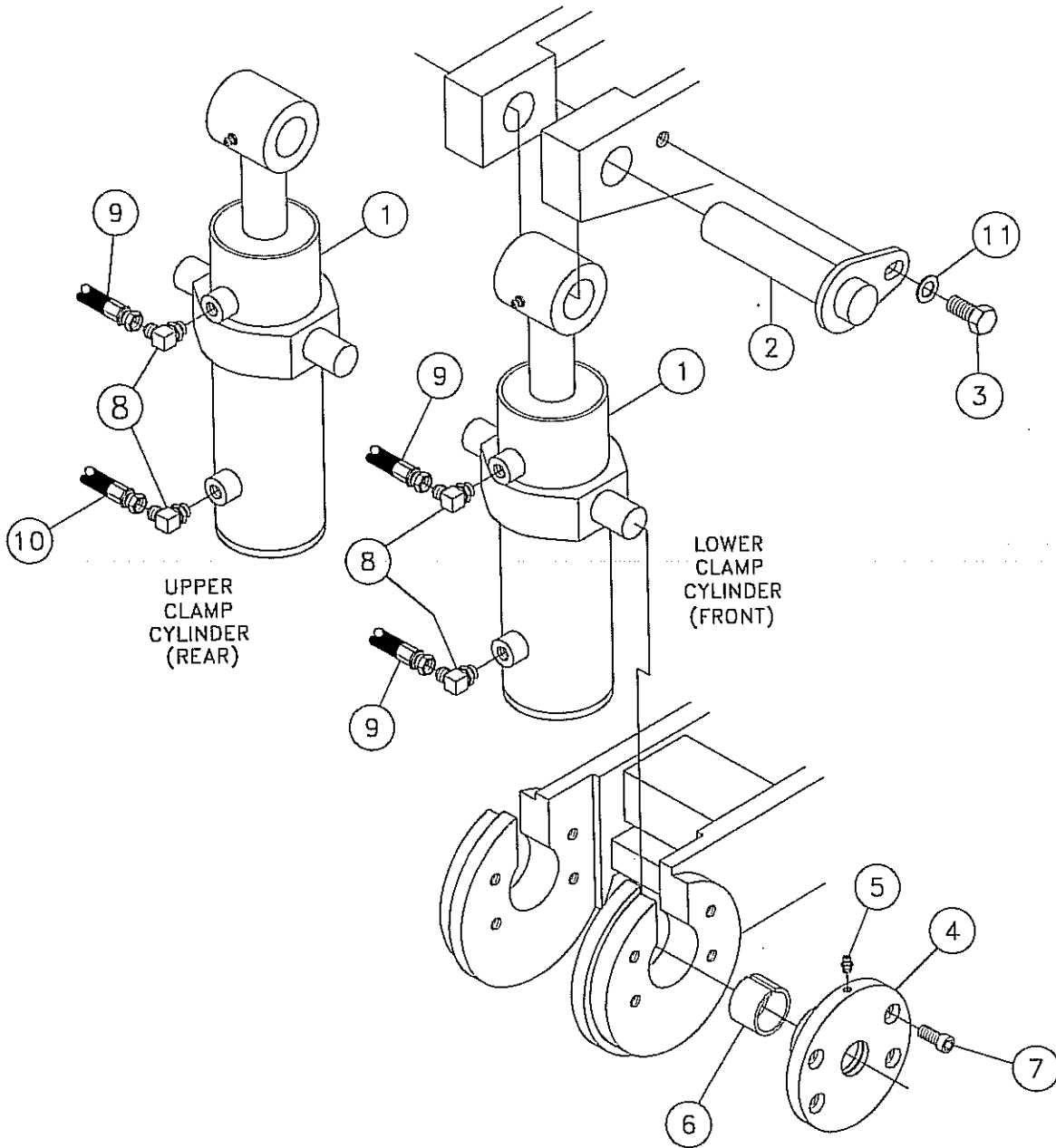
Figure 11-5



<u>REF. NO.</u>	<u>PART NO.</u>	<u>DESCRIPTION</u>	<u>QTY.</u>
11-5	1	228021-001 CYLINDER-2 1/2 X 3 HYD (BREAKDOWN FIG. 11-8)	1
11-5	2	60908-001 FITTING-4MX4M JIC STR ADAPTER	1
11-5	3	228037-001 PIN-STATIONARY	1
11-5	4	235729-001 BOLT-1/2-13X1 GR8 HEX ZINC PLT	1
11-5	5	228061-001 PIN-TILT	1
11-5	6	510-025 COTTER PIN-3/16" X 2"	1
11-5	7	53843-587 HOSE-1/4X63 4FS JIC 3000 PSI	2
11-5	8	245007-001 FITTING-4M ORING X4MJIC R.063	1
11-5	9	485-025 WASHER-1/2 FLAT-HARDENED-ZINC	1

JAW CYLINDER ASSEMBLY

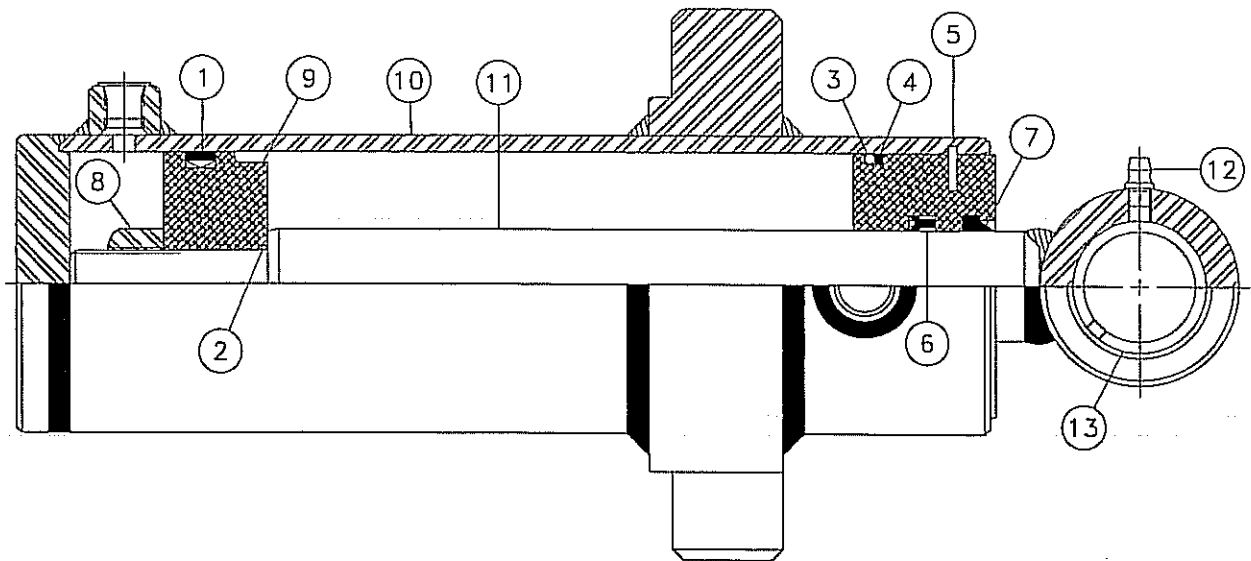
Figure 11-6



REF. NO.	PART NO.	DESCRIPTION	QTY.
11-6	1	228165-001 CYLINDER-2 1/2 X 6 5/8 (BREAKDOWN FIG. 11-7)	2
11-6	2	228058-001 PIN-CLAMP	2
11-6	3	235729-001 BOLT-1/2-13X1 GR8 HEX ZINC PLT	2
11-6	4	240907-001 BUSHING-TRUNNION (INC. REF. 5 & 6)	4
11-6	5	598-001 ZERK-1/4" NF ST GREASE	4
11-6	6	1835-025 BSHG.-STL.- 1 1/2 X 1 1/4 X 1	4
11-6	7	601696-010 SOCKET HD CAP SCREW 3/8-16X1 Z	16
11-6	8	59423-001 FIT-4M JICX4M ADJ.90 DEG.ELBOW	1
11-6	9	53843-119 HOSE-1/4X74 4FS JIC (100R1)	3
11-6	10	53843-689 HOSE-1/4X70 4FS JIC 3000 PSI	1
11-6	11	485-025 WASHER-1/2 FLAT-HARDENED-ZINC	2

HYDRAULIC CYLINDER COMPONENTS - 2 1/2" X 6 5/8"

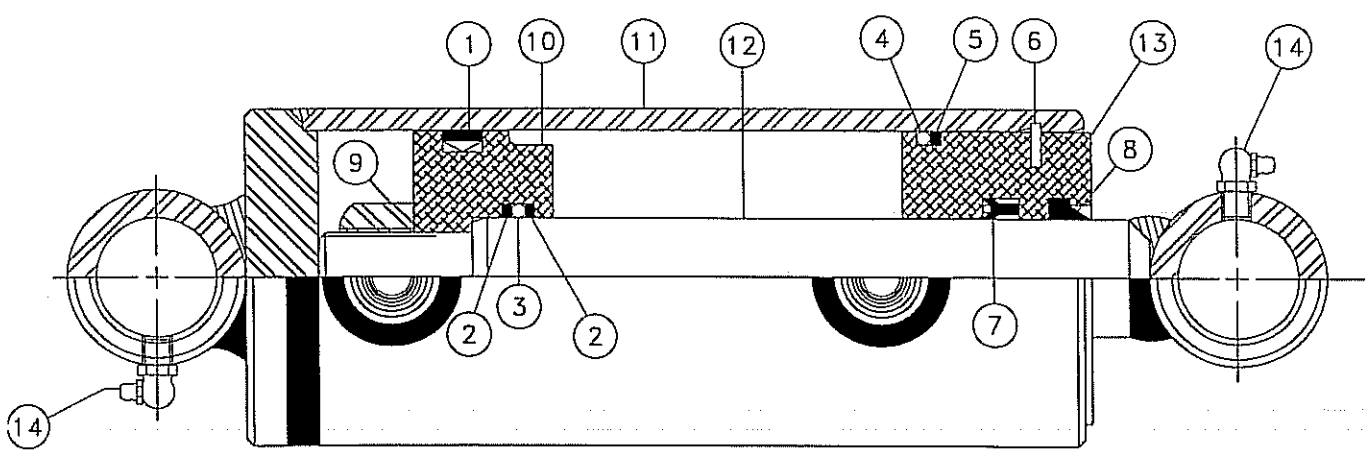
Figure 11-7



<u>REF. NO.</u>	<u>PART NO.</u>	<u>DESCRIPTION</u>	<u>QTY.</u>
11-7	1	228165-003 PSP SEAL	1
11-7	2	228165-005 O-RING	1
11-7	3	228165-007 O-RING	1
11-7	4	228165-009 WASHER-BACK UP	1
11-7	5	228165-011 RING-RETAINING	1
11-7	6	228165-013 POLYPAK SEAL	1
11-7	7	228165-015 DUST SEAL	1
11-7	8	230977-003 NUT	1
11-7	9	228165-017 PISTON	1
11-7	10	228165-019 BARREL ASSEMBLY	1
11-7	11	228165-021 ROD ASSEMBLY	1
11-7	12	598-001 ZERK-1/4" NF ST GREASE	1
11-7	13	1835-025 BSHG.-STL- 1 1/2 X 1 1/4 X 1	2
	228165-001	CYLINDER-2 1/2 X 6 5/8 (INC. ALL ITEMS IN THIS FIGURE)	
	228165-023	SEAL KIT (INC. REF. 1-7)	

HYDRAULIC CYLINDER COMPONENTS - 2 1/2" X 3"

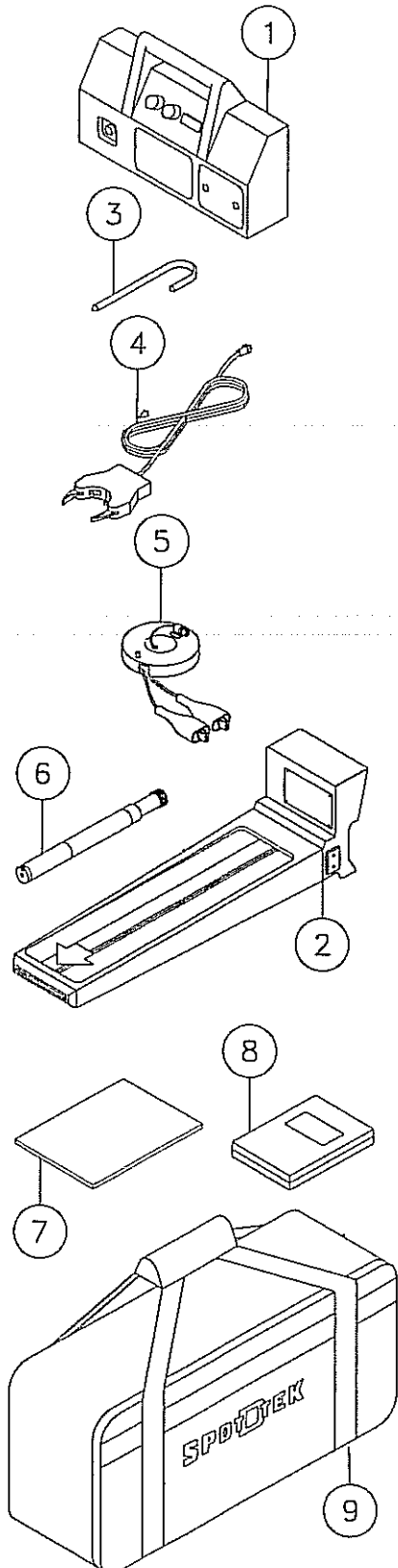
Figure 11-8



REF. NO.	PART NO.	DESCRIPTION	QTY.
11-8	1	200769-001 UNI-RING	1
11-8	2	208177-001 WASHER-BACKUP	2
11-8	3	208178-001 O-RING	1
11-8	4	51175-001 O-RING	1
11-8	5	200841-001 BACKUP WASHER	1
11-8	6	222440-009 INTERNAL SNAP RING	1
11-8	7	205001-001 1 1/2\"/>	
11-8	8	219111-011 ROD WIPER	1
11-8	9	93180-007 LOCKOUT .750-16 UNF	1
11-8	10	228021-003 PISTON	1
11-8	11	228021-005 BODY ASSEMBLY-CYLINDER (INC. REF. 14)	1
11-8	12	228021-007 ROD ASSEMBLY-CYLINDER (INC. REF. 14)	1
11-8	13	200925-001 GLAND	1
11-8	14	597-001 ZERK-1/4\"/>	
	228021-001	CYLINDER-2 1/2 X 3 HYD (INC. REF. 1-14)	
	228021-009	SEAL KIT (INC. REF. 1-8)	

LOCATION PACKAGE, SPOT D TEK II.2 UTILITY

Figure 12-1



REF. NO.	PART NO.	DESCRIPTION	QTY.
12-1	1	213900-019 SUNSCREEN FOR TRANSMITTER	1
		213900-003 TRANSMITTER FOR SPOT D TEK II	1
12-1	2	215941-001 RECEIVER II.2	1
12-1	3	213900-013 GROUND STAKE - SPOT D TEK II	1
12-1	4	213900-007 EXTERNAL COIL - SPOT D TEK II	1
12-1	5	213900-015 DIRECT CONNECTION CABLE	1
12-1	6	215942-001 DIR.PROBE II.2 (BREAKDOWN FIG. 12-4)	1
12-1	7	215938-003 OPERATIONAL MANUAL	1
12-1	8	213900-021 VIDEO TAPE	1
12-1	9	213900-009 CASE FOR SPOT D TEK II	1

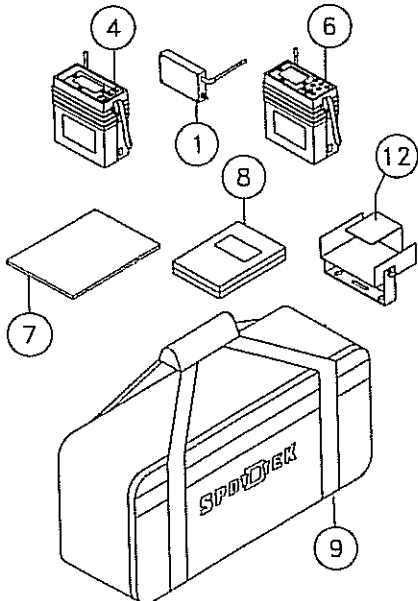
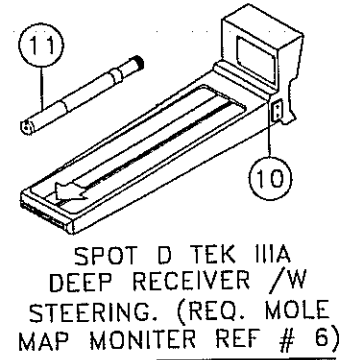
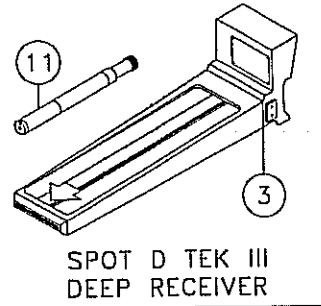
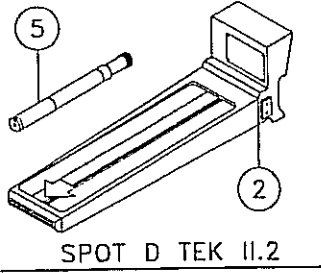
215938-001 SPOTDTEK II.2 UTILITY LOC. PKG
(INC. REF. 1-9)

ACCESSORIES

213900-023	SUNSCREEN-RECEIVER/11.2 MONITOR
213900-025	RAINCOVER-RECEIVER

LOCATION PACKAGE, SPOT D TEK II.2, III & IIIA

Figure 12-2



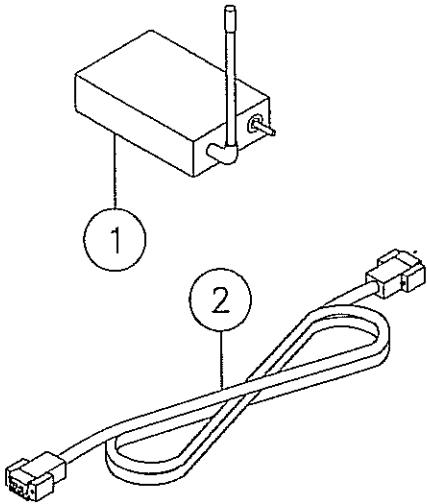
REF. NO.	PART NO.	DESCRIPTION	QTY.
12-2	1	213902-005 WIRELESS TRANSMITTER	1
12-2	2	215941-001 RECEIVER II.2	1
12-2	3	231197-003 RECEIVER-III	1
12-2	4	215943-001 WIRELESS MONITOR II.2	1
12-2	5	215942-001 DIR. PROBE II.2 (BREAKDOWN FIG. 12-4)	1
12-2	6	231109-001 MONITOR - MOLE MAP	1
12-2	7	215938-003 OPERATIONAL MANUAL	1
12-2	8	215940-003 VIDEO TAPE-INSTRUCTIONAL (LOCATING W/ PROBES)	1
12-2	9	213900-009 CASE FOR SPOT D TEK II	1
12-2	10	231111-003 RECEIVER-III	1
12-2	11	231110-001 SPOT-D-TEK DEEP SONDE (BREAKDOWN FIG. 12-5)	1
12-2	12	244935-001 HOLDER ASSY.-REMOTE MONITOR	1

ACCESSORIES

216871-001	ANTENNA-TRANSMITTER/MONITOR
213900-023	SUNSCREEN-RECEIVER II.2 MONIT
213900-025	RAINCOVER-RECEIVER
213902-011	RAINCOVER-II.2 MONITOR
238762-001	SUNSCREEN-MOLE MAP MONITOR
238763-001	RAIN COVER-MOLE MAP MONITOR

LOCATION PACKAGE, SPOT D TEK MOLE MAPPING SYSTEM

Figure 12-3

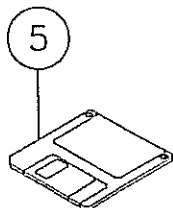
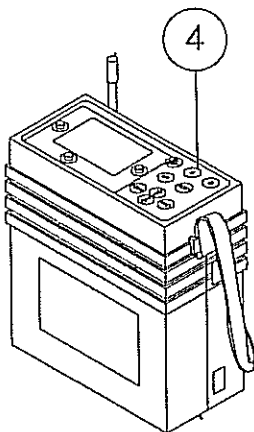
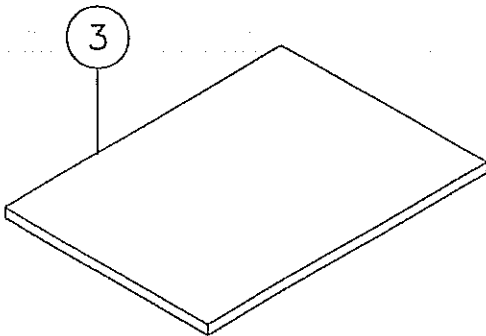


REF. NO.	PART NO.	DESCRIPTION	QTY.
12-3	1	213902-005 WIRELESS TRANSMITTER (INC. REF. 3)	1
12-3	2	231109-005 COMPUTER CORD	1
12-3	3	231109-007 OPERATIONAL MANUAL	1
12-3	4	231109-001 MONITOR-MOLE MAP	1
12-3	5	231109-003 MAPPING SOFTWARE REPLACE DISK	1

231113-001 MAPPING SYSTEM COMPLETE (INC. REF. 1-5)

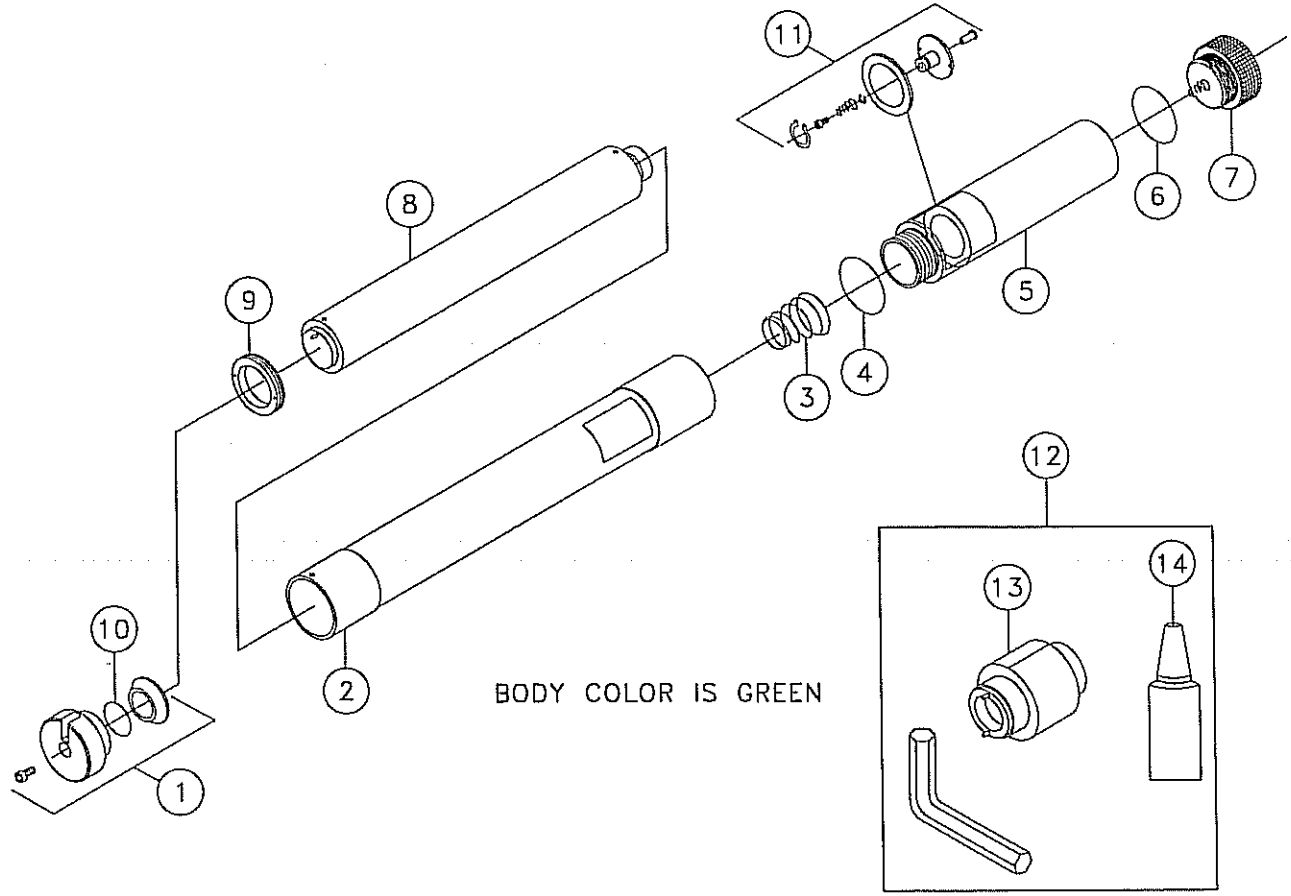
ACCESSORIES

238763-001	RAIN COVER-MOLE MAP MONITOR
238762-001	SUNSCREEN-MOLE MAP MONITOR
216871-001	ANTENNA-TRANSMITTER/MONITOR



SPOT-D-TEK II.2 DIRECTIONAL PROBE (REPAIRABLE) COMPONENTS

Figure 12-4

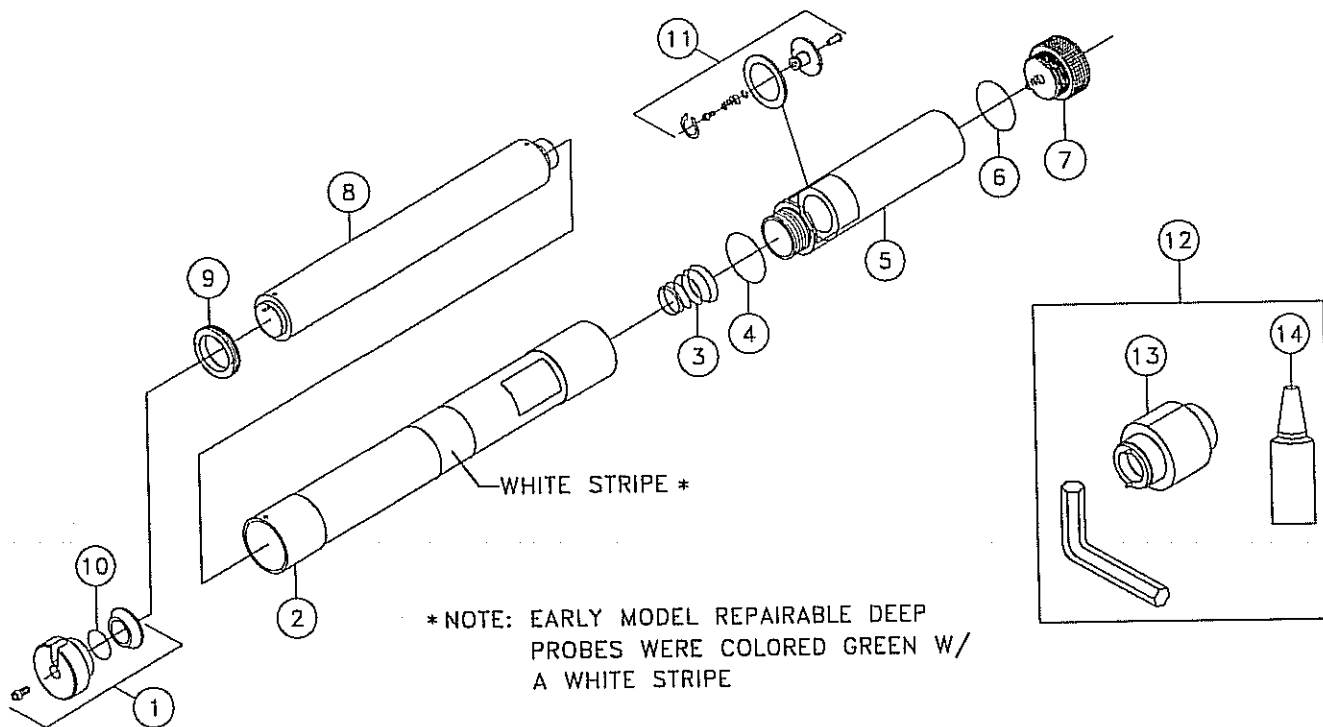


BODY COLOR IS GREEN

REF. NO.	PART NO.	DESCRIPTION	QTY.
12-4	1	215942-003 SLOTTED HEAD ASSEMBLY	1
12-4	2	215942-005 FIBER PROBE BODY 11.2	1
12-4	3	215942-007 SPRING - SUSPENSION	1
12-4	4	215942-009 O-RING	1
12-4	5	215942-011 BATTERY COMPARTMENT ASSEMBLY	1
12-4	6	215942-013 O-RING	1
12-4	7	215942-015 BATTERY CAP ASSEMBLY	1
12-4	8	215942-017 SOLID STATE ELEC. CAPSULE 11.2	1
12-4	9	215942-019 ROUND SET NUT	1
12-4	10	215942-021 O-RING	1
12-4	11	215942-023 BATTERY CONTACT ASSEMBLY	1
12-4	12	215942-025 MAINTENANCE TOOL KIT	1
12-4	13	215942-027 TOOL-CAPSULE LINE-UP	1
12-4	14	215942-029 SEALANT-SILICONE	1
	215942-001	DIR. PROBE II.2 (REPAIRABLE) (INC. ALL ITEMS IN THIS FIGURE)	

SPOT-D-TEK II.2 DEEP SONDE (REPAIRABLE) COMPONENTS

Figure 12-5



* NOTE: EARLY MODEL REPAIRABLE DEEP PROBES WERE COLORED GREEN W/ A WHITE STRIPE

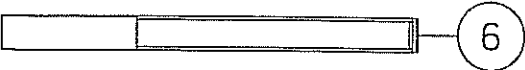
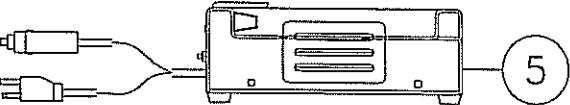
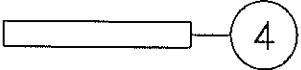
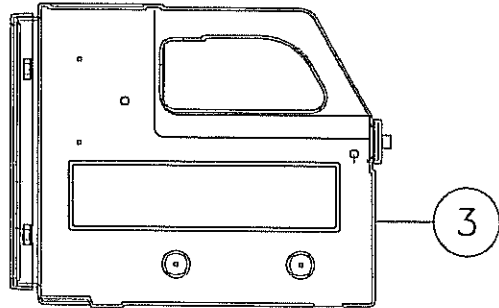
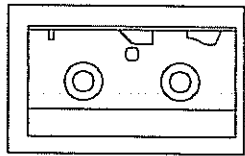
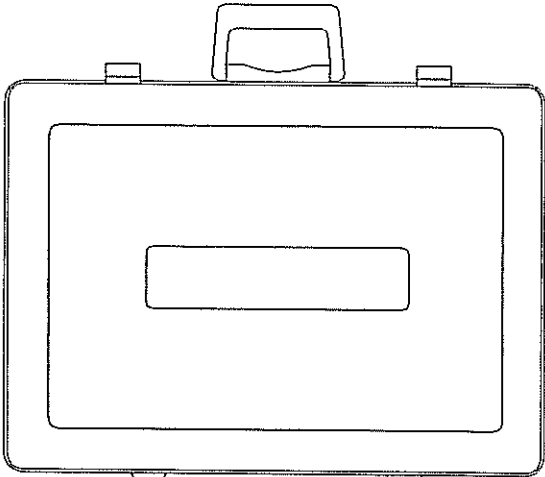
LATER MODEL REPAIRABLE DEEP PROBES ARE COLORED PURPLE W/ NO STRIPE

REF. NO.	PART NO.	DESCRIPTION	QTY.
12-5	1	215942-003 SLOTTED HEAD ASSEMBLY	1
12-5	2	231110-003 FIBER PROBE BODY 11.2 (DEEP)	1
12-5	3	215942-007 SPRING - SUSPENSION	1
12-5	4	215942-009 O-RING	1
12-5	5	215942-011 BATTERY COMPARTMENT ASSEMBLY	1
12-5	6	215942-013 O-RING	1
12-5	7	215942-015 BATTERY CAP ASSEMBLY	1
12-5	8	231110-005 SOLID STATE ELECT CAPSULE 11.2	1
12-5	9	215942-019 ROUND SET NUT	1
12-5	10	215942-021 O-RING	1
12-5	11	215942-023 BATTERY CONTACT ASSEMBLY	1
12-5	12	215942-025 MAINTENANCE TOOL KIT	1
12-5	13	215942-027 TOOL-CAPSULE LINE-UP	1
12-5	14	215942-029 SEALANT-SILICONE	1
	231110-001	SPOT-D-TEK DEEP SONDE (REPAIRABLE) (INC. ALL ITEMS IN THIS FIGURE)	

LOCATION PACKAGE, MARK III - DIGITRAK - DOMESTIC AND INTERNATIONAL

Figure 13-1

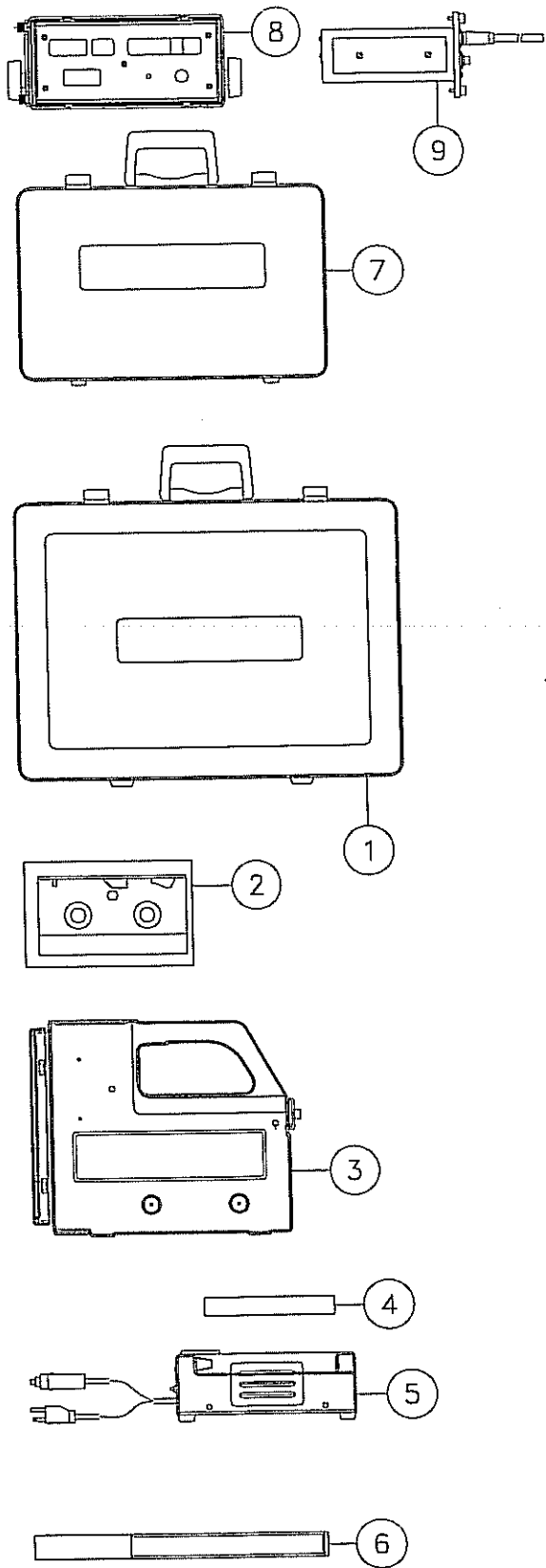
<u>REF. NO.</u>	<u>PART NO.</u>	<u>DESCRIPTION</u>	<u>QTY.</u>
13-1	1	213389-011 DIGITRAK CARRYING CASE	1
13-1	2	231990-001 DIGITRAK OP. MAN. TRAIN VIDEO	1
13-1	3	231991-001 DIGITRAK RECEIVER-ENGLISH/METR	1
13-1	4	213389-009 DIGITRAK BATTERY PACK	2
13-1	5	213389-007 DIGITRAK SMART CHARGER115/230V	1
13-1	6	221806-001 SONDE-15' BLUE	1
		221643-001 SONDE-50' RED	1
		213086-001 O-RING #122	3
		213389-005 SONDE-30' YELLOW	1
	231212-001	DIGITRAK STD.LOCATOR(US/CAN) (INC. REF. 1-5)	



LOCATION PACKAGE, MARK III - DIGITRAK (W/ REMOTE DISPLAY) DOMESTIC

Figure 13-2

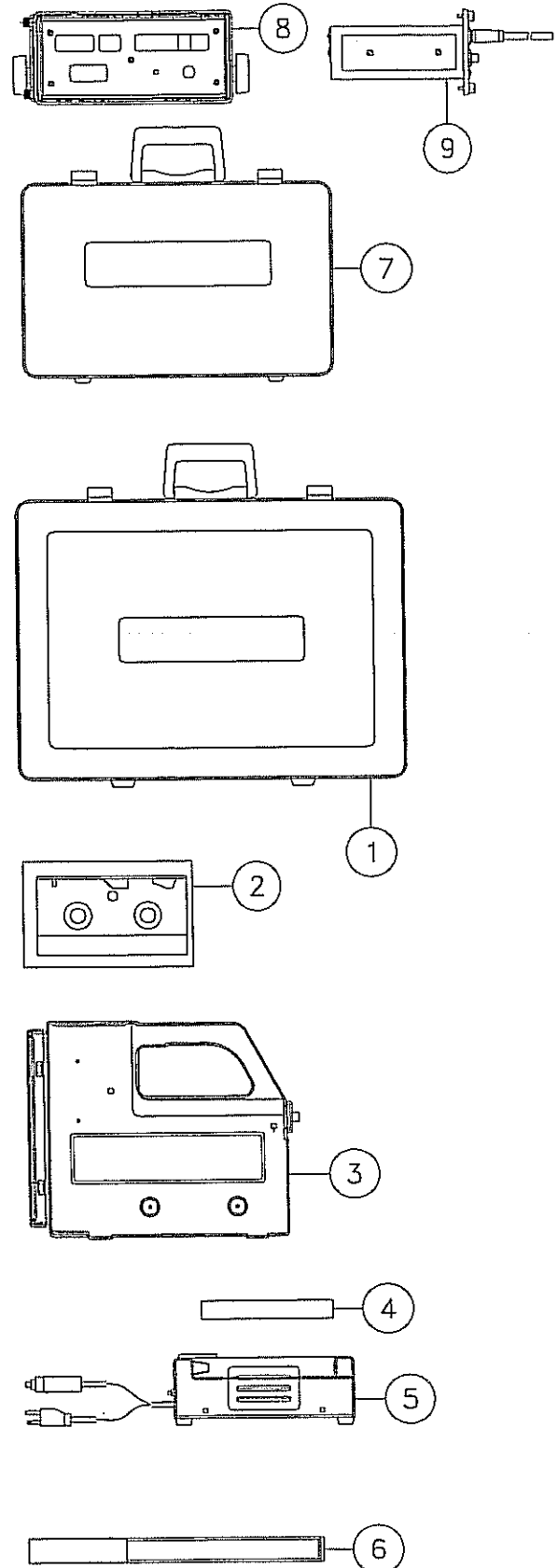
REF. NO.	PART NO.	DESCRIPTION	QTY. STD.	CABLE SONDE
3-2	1	213389-011	1	1
3-2	2	231990-001	1	1
3-2	3	231992-001	1	1
3-2	4	213389-009	2	-
3-2	5	213389-007	1	-
3-2	6	221806-001	1	-
		221643-001	1	-
		226197-001	1	-
		226200-001	-	1
		226199-001	-	1
		213086-001	3	3
		213389-005	1	-
3-2	7	221658-001	1	1
3-2	8	231993-001	1	1
3-2		231994-001	-	1
3-2	9	226195-001	-	1
		231218-001		
		DCI REMOTE LOCATOR SYS(US/CAN) (INC. REF. 1-5, 7 & 8)		
		231221-001		
		DCI REM CABLE SONDE SYS(US/CAN) (INC. REF. 1-3 & 7-9)		



LOCATION PACKAGE, MARK III - DIGITRAK (W/ REMOTE DISPLAY) INTERNATIONAL

Figure 13-3

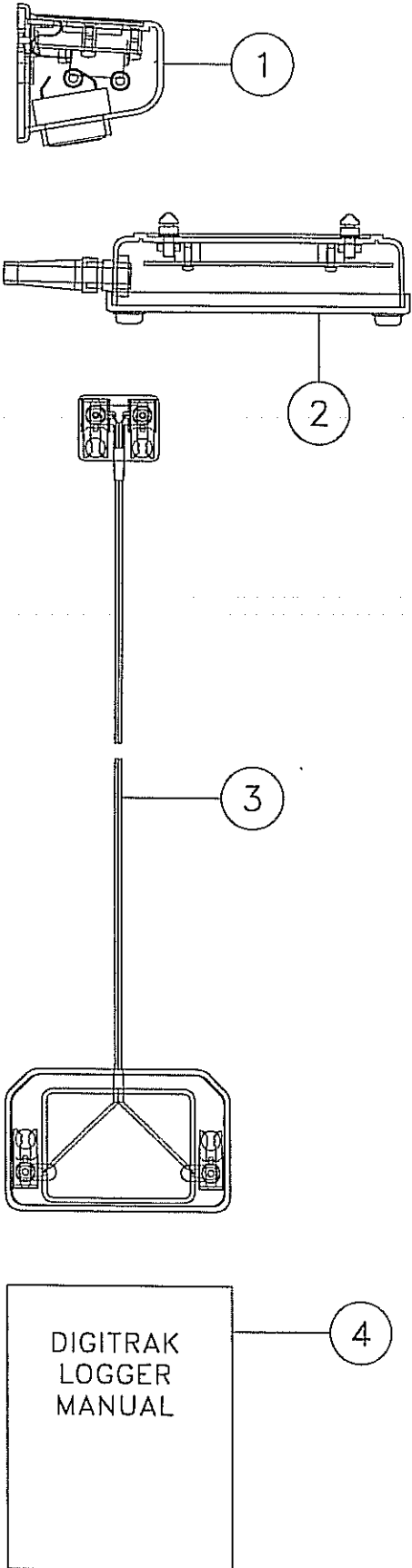
REF. NO.	PART NO.	DESCRIPTION	QTY. STD.	CABLE SONDE
13-3	1	213389-011	1	1
13-3	2	231990-001	1	1
13-3	3	231995-001	1	1
		231996-001	1	1
13-3	4	213389-009	2	-
13-3	5	213389-007	1	-
13-3	6	221806-001	1	-
		221643-001	1	-
		226197-001	1	-
		226200-001	-	1
		226199-001	-	1
		213086-001	3	3
		213389-005	1	-
13-3	7	221658-001	1	1
13-3	8	231997-001	1	-
		231998-001	1	1
		231999-001	1	-
		238750-001	1	1
13-3	9	226195-001	1	-
		231219-001		
		DCI REMOTE LOCATOR SYS (AU)		
		(INC. REF. 1-5, 7 & 8)		
		231222-001		
		DCI REM CABLE SONDE SYS (AU)		
		(INC. REF. 1-3 & 7-9)		
		231220-001		
		DCI REMOTE LOCATOR SYS (UK)		
		(INC. REF. 1-5, 7 & 8)		
		231223-001		
		DCI REM CABLE SONDE SYS (UK)		
		(INC. REF. 1-3 & 7-9)		



DATA LOGGER, MARK III - DIGITRAK

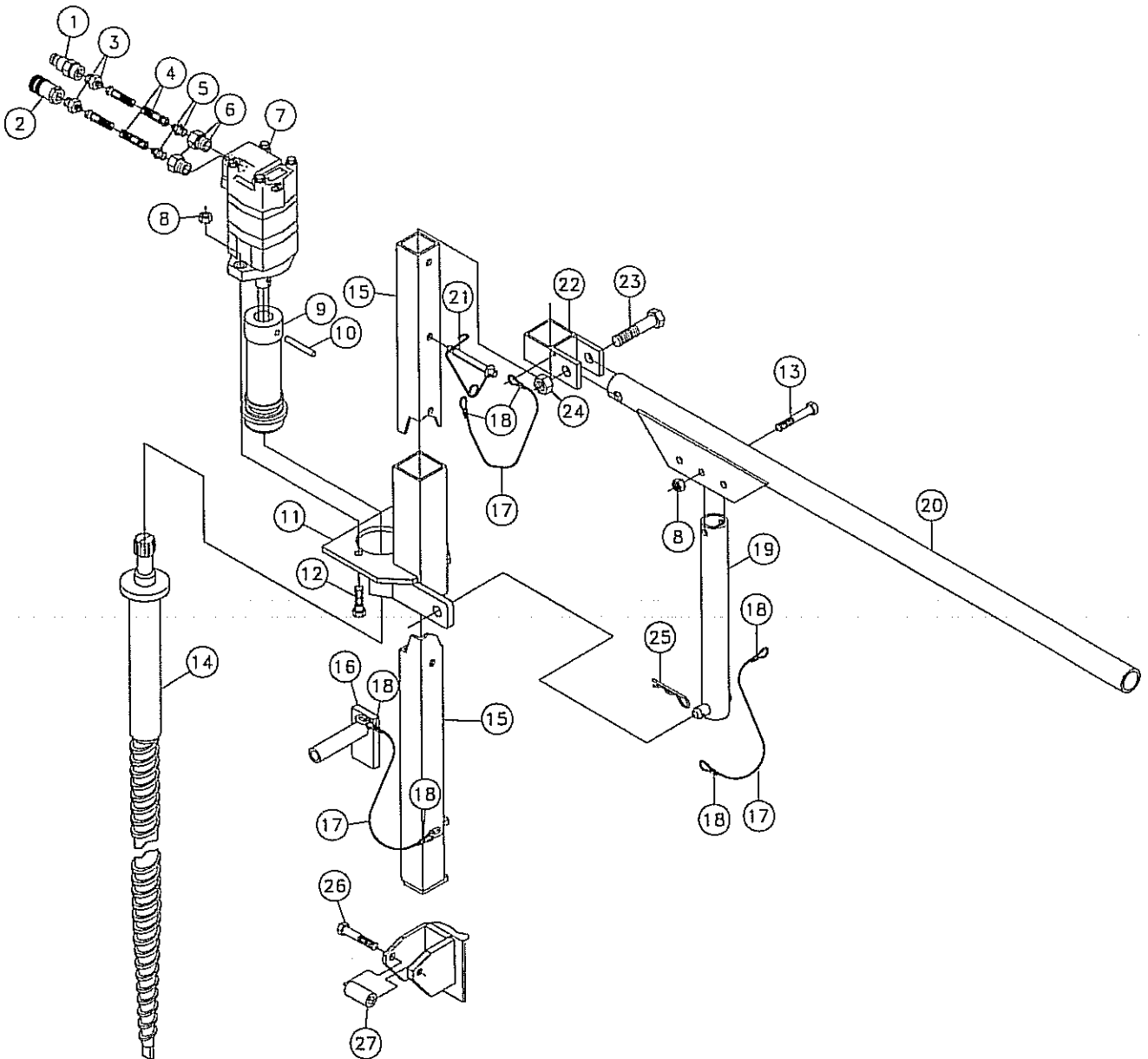
Figure 13-4

<u>REF. NO.</u>	<u>PART NO.</u>	<u>DESCRIPTION</u>	<u>QTY.</u>
3-4	1	DATA LOGGER MODULE	1
3-4	2	DATA-LOG/PC INTERFACE (INC. REF. 3 & 4)	1
3-4	3	DATA LOG REAL TIME CABLE	1
3-4	4	DIGITRAK LOGGER MANUAL	1



POWER STAKEDOWN ASSEMBLY

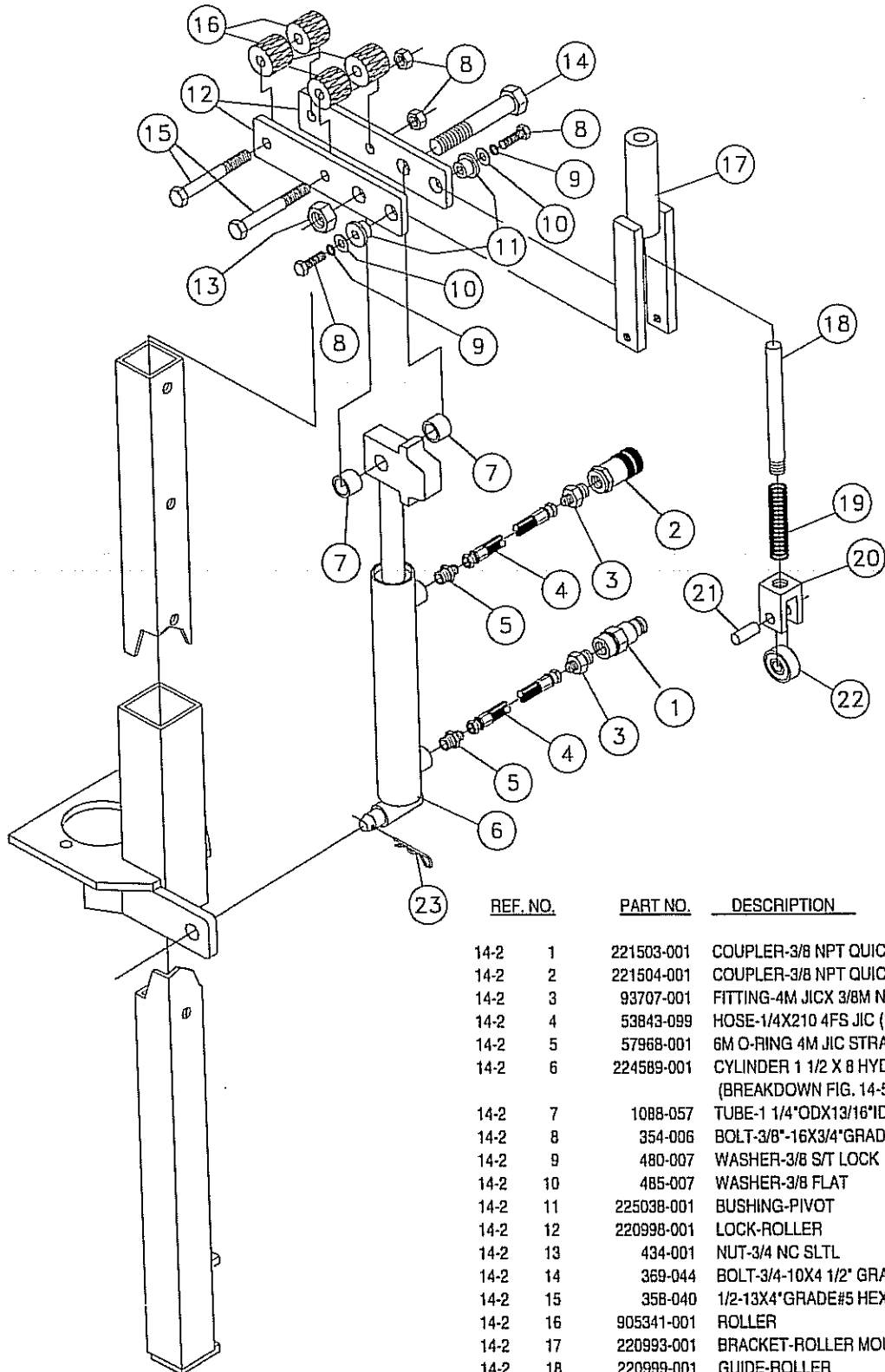
Figure 14-1



REF. NO.	PART NO.	DESCRIPTION	QTY.	REF. NO.	PART NO.	DESCRIPTION	QTY.	
14-1	1	221503-001	1	14-1	14	STAKE-4 FT. EARTH	4	
14-1	2	221504-001	1	14-1	15	TUBE-STAKING	1	
14-1	3	93707-001	2	14-1	16	BAR-LOCK	1	
14-1	4	53843-099	2	14-1	17	1830-007	CABLE-3/32"NYLON COATED (SPECIFY LENGTH)	A/R
14-1	5	57968-001	2	14-1	18	1838-001	CONNECTOR-WIRE (ETC)	6
14-1	6	57967-001	2	14-1	19	228526-001	LINK	1
14-1	7	228514-001	1	14-1	20	228529-001	HANDLE	1
14-1	8	423-001	3	14-1	21	103734-001	LYNCH PIN - 1/2 X 3 1/2	1
14-1	9	228511-001	1	14-1	22	228524-001	COLLAR	1
		75814-041	1	14-1	23	369-034	BOLT-3/4-10X3 1/2" GR5 HEX	1
14-1	10	228516-001	1	14-1	24	434-001	NUT-3/4 NC SLTL	1
14-1	11	225016-001	1	14-1	25	1794-003	HAIR PIN COTTER - .148 WIRE	1
14-1	12	358-016	2	14-1	26	358-026	1/2-13X2 3/4"GRADE#5HEX BOLT	1
14-1	13	358-030	1	14-1	27	1081-049	TUBE-1"ODX9/16"IDX2 1/16	1

CYLINDER ASSIST - POWER STAKE DOWN

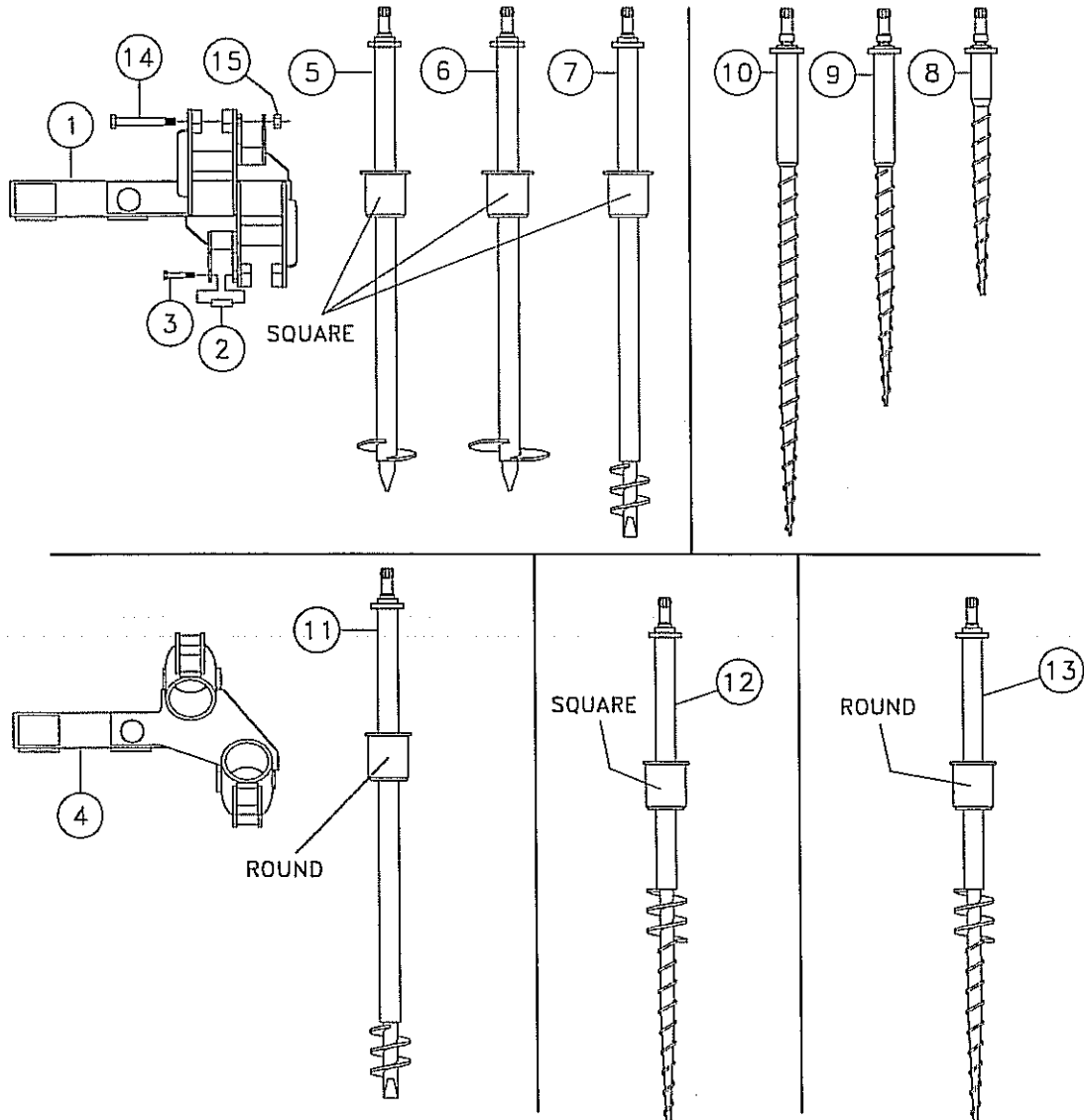
Figure 14-2



	REF. NO.	PART NO.	DESCRIPTION	QTY.
	14-2	1	221503-001 COUPLER-3/8 NPT QUICK (MALE)	1
	14-2	2	221504-001 COUPLER-3/8 NPT QUICK (FEMALE)	1
	14-2	3	93707-001 FITTING-4M JICX 3/8M NPT STR.	2
	14-2	4	53843-099 HOSE-1/4X210 4FS JIC (100R1)	2
	14-2	5	57968-001 6M O-RING 4M JIC STRAIGHT	2
	14-2	6	224589-001 CYLINDER 1 1/2 X 8 HYD (BREAKDOWN FIG. 14-5)	1
	14-2	7	1088-057 TUBE-1 1/4"ODX13/16"ID-3/4"	2
	14-2	8	354-006 BOLT-3/8"-16X3/4"GRADE#5 HEX	2
	14-2	9	480-007 WASHER-3/8 S/T LOCK	2
	14-2	10	485-007 WASHER-3/8 FLAT	2
	14-2	11	225038-001 BUSHING-PIVOT	2
	14-2	12	220998-001 LOCK-ROLLER	2
	14-2	13	434-001 NUT-3/4 NC SLTL	1
	14-2	14	369-044 BOLT-3/4-10X4 1/2" GRADE#5 HEX	1
	14-2	15	358-040 1/2-13X4"GRADE#5 HEX BOLT	2
	14-2	16	905341-001 ROLLER	4
	14-2	17	220993-001 BRACKET-ROLLER MOUNT	1
	14-2	18	220999-001 GUIDE-ROLLER	1
	14-2	19	1803-015 SPRING - COMP. #39 3 1/2" OA	1
	14-2	20	220992-001 MOUNT-ROLLER	1
	14-2	21	224579-001 ROLL PIN- 1/2 X 1 1/4	1
	14-2	22	1732-003 BEARING-#202KRR7 FAFNIR	1
	14-2	23	1794-003 HAIR PIN COTTER - .148 WIRE	1

STAKE ASSEMBLY

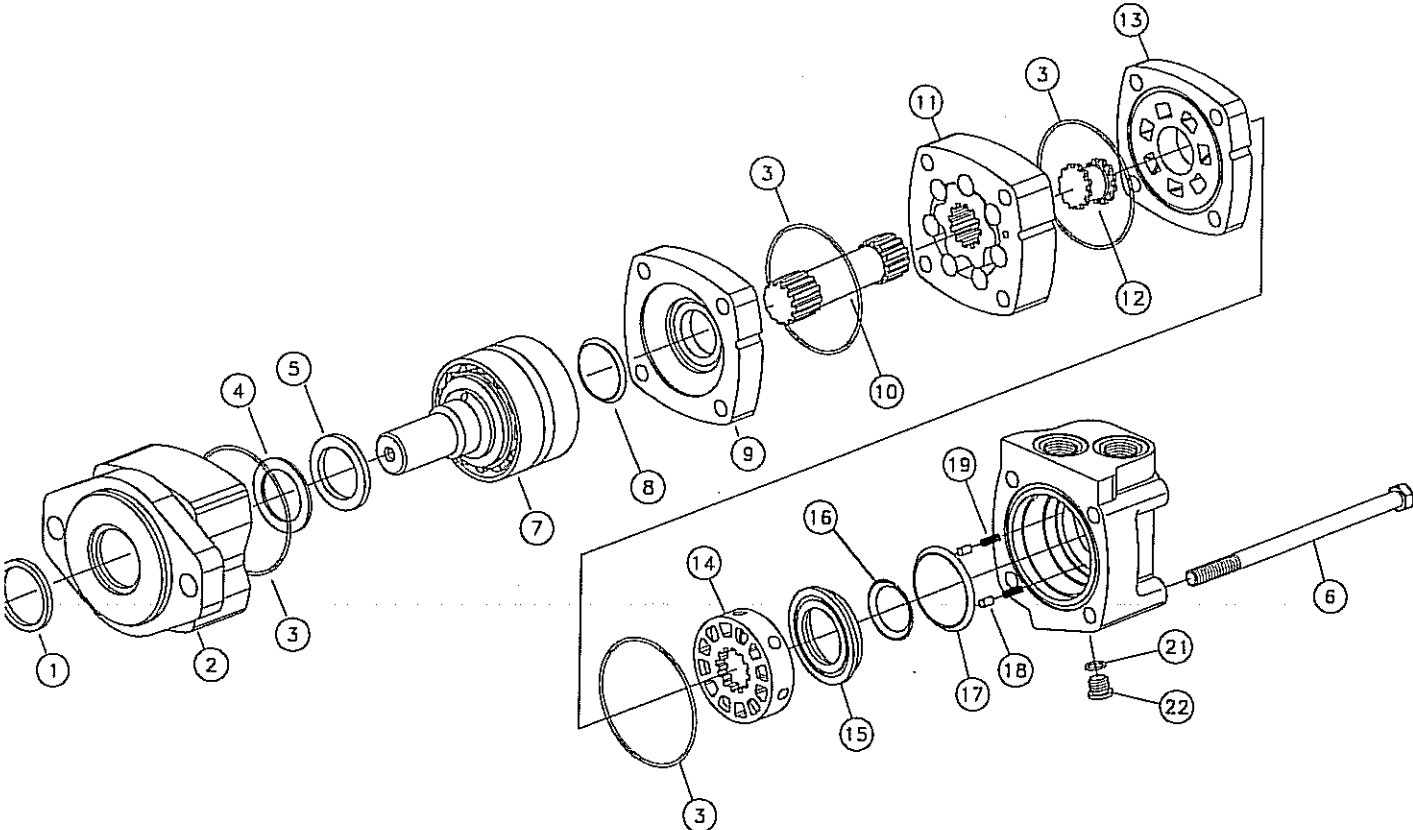
Figure 14-3



REF. NO.	PART NO.	DESCRIPTION	QTY.
14-3	1	220927-001 EAR-LARGE ANCHOR	1
14-3	2	1081-049 TUBE-1"ODX9/16"IDX2 1/16	1
14-3	3	358-026 1/2-13X2 3/4"GRADE#5HEX BOLT	1
14-3	4	228537-001 MOUNT-STAKE	1
14-3	5	226019-001 6" DELUXE SAND STAKE	1
14-3	6	220938-001 8"DELUXE SAND STAKE	1
14-3	7	228506-001 STAKE-4" FLIGHT SQ CAN	1
14-3	8	228547-001 STAKE-EARTH (24")	1
14-3	9	228533-001 STAKE-EARTH (36")	1
14-3	10	228504-001 STAKE-EARTH (48")	1
14-3	11	228505-001 STAKE-4" FLIGHT ROUND CAN	1
14-3	12	228551-001 STAKE-4" TAPER FLIGHT-SQ CAN	1
14-3	13	228550-001 STAKE-4" TAPER FLIGHT-RND CAN	1
14-3	14	359-060 BOLT-3/4"-10X6" GR 5 HEX	2
14-3	15	432-001 NUT-3/4" NC HEX	2

HYDRAULIC MOTOR COMPONENTS

Figure 14-4

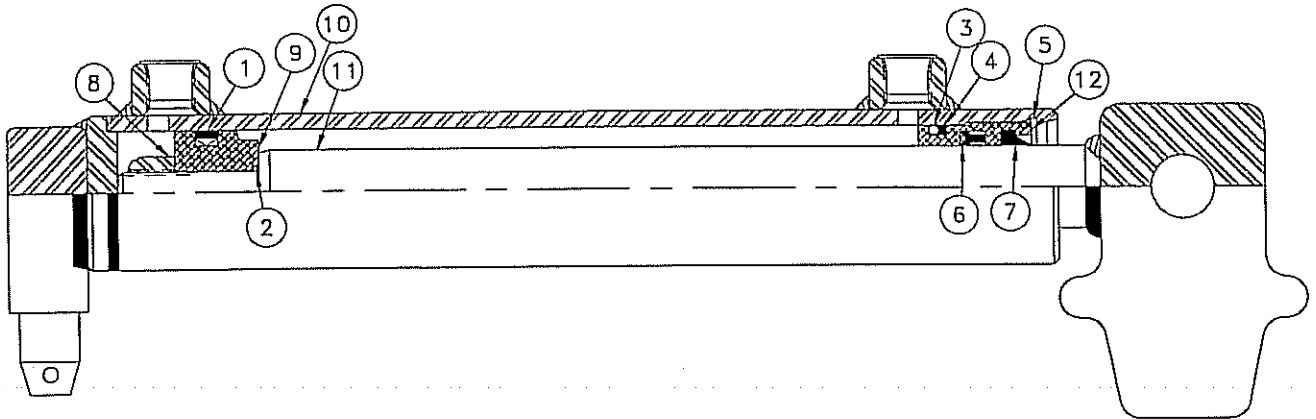


REF. NO.	PART NO.	DESCRIPTION	QTY.	REF. NO.	PART NO.	DESCRIPTION	QTY.
14-4	1	770-071 SEAL-DUST	1	14-4	17	770-091 SEAL-FACE, OUTER	1
14-4	2	770-073 HOUSING-BEARING	1	14-4	18	770-037 PIN	2
14-4	3	770-007 SEAL-O RING	4	14-4	19	770-039 SPRING	2
14-4	4	770-009 WASHER-BACKUP	1	14-4	20	770-093 HOUSING-(SAE 10 PORTS)	
14-4	5	770-075 SEAL-SHAFT	1			(INC. REF. 21 & 22)	1
14-4	6	70020-007 BOLT	4	14-4	21	4485-023 O-RING	1
14-4	7	228514-003 SHAFT AND BEARING KIT-1 1/4	1	14-4	22	4485-019 PLUG	1
14-4	8	770-017 SEAL-SHAFT FACE	1	14-4	22	4485-021 PLUG ASSY (INC. REF. 21 & 22)	1
14-4	9	770-079 PLATE-WEAR	1				
14-4	10	774-023 DRIVE-	1				
14-4	11	774-025 GEROLER ASSY	1			228514-001 MOTOR-HYD. 2 BOLT FLANGE (INC. ALL	
14-4	12	774-011 DRIVE-VALVE	1			ITEMS N THIS FIGURE)	
14-4	13	770-085 PLATE-VALVE	1			770-097 REPAIR KIT (INC. REF. 1, 3, 4, 5, 8, 16,	
14-4	14	770-087 VALVE-	1			17 & 21)	
14-4	15	770-089 PLATE-BALANCE	1				
14-4	16	770-057 SEAL-FACE INNER	1				

NOTE: WHEN ORDERING REPLACEMENT PARTS, INCLUDE THE PRODUCT NUMBER 104-1743-006 WITH YOUR ORDER.

HYDRAULIC CYLINDER COMPONENTS - 1 1/2" X 8"

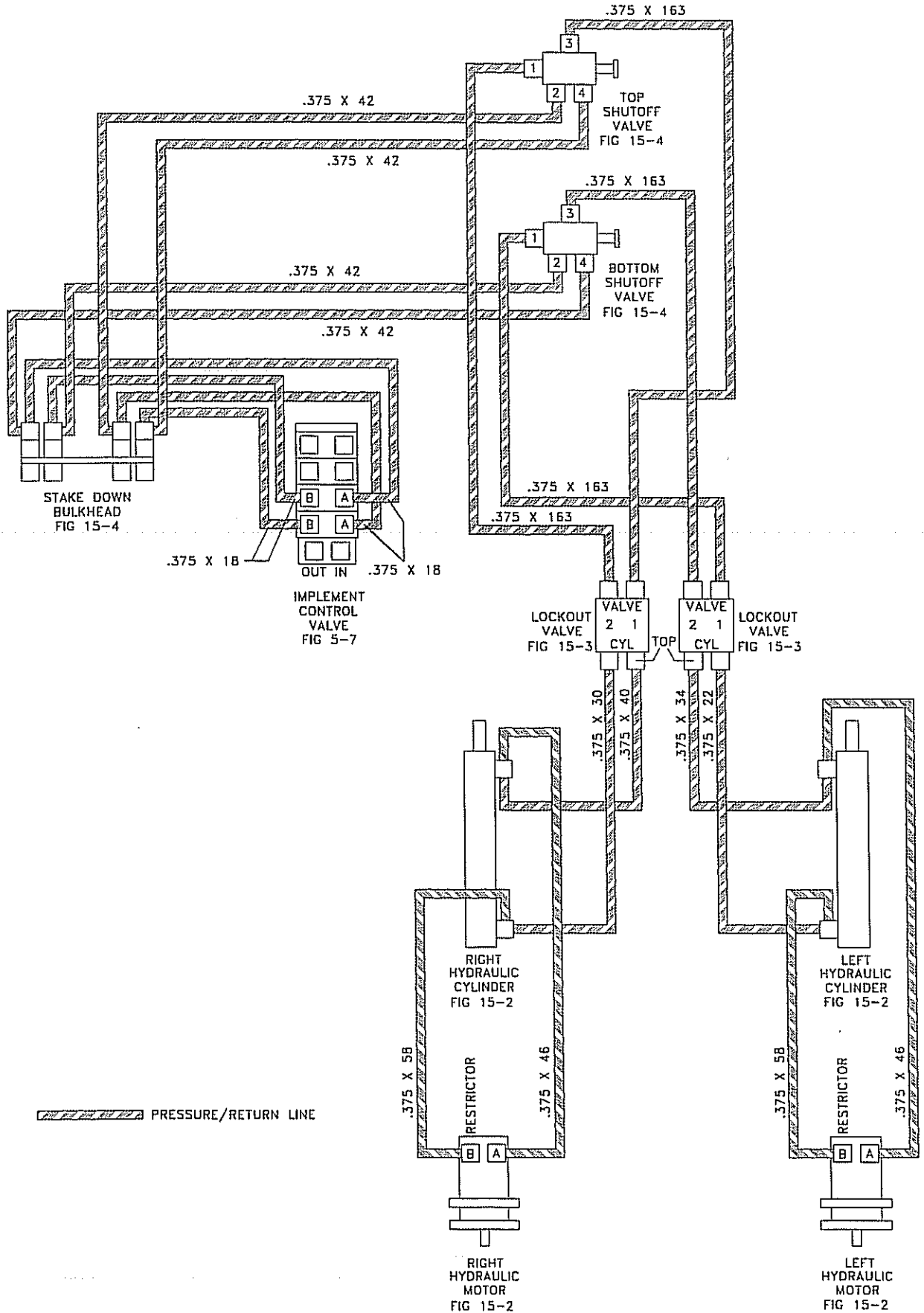
Figure 14-5



REF. NO.	PART NO.	DESCRIPTION	QTY.
14-5	1	215170-003 UNI-RING	1
14-5	2	223998-003 O-RING	1
14-5	3	202727-001 O-RING	1
14-5	4	202726-001 WASHER-BACK-UP	1
14-5	5	224589-009 INTERNAL SNAP RING	1
14-5	6	219111-009 LOADED U-CUP	1
14-5	7	219111-011 ROD WIPER	1
14-5	8	215170-011 LOCKNUT-ELASTIC	1
14-5	9	202720-001 PISTON	1
14-5	10	224589-003 BODY ASSEMBLY	1
14-5	11	224589-005 ROD ASSEMBLY	1
14-5	12	224589-007 GLAND	1
	224589-001	CYLINDER 1 1/2 X 8 HYD (INC. REF. 1-12)	
	224589-011	SEAL KIT (INC. REF. 1-7)	

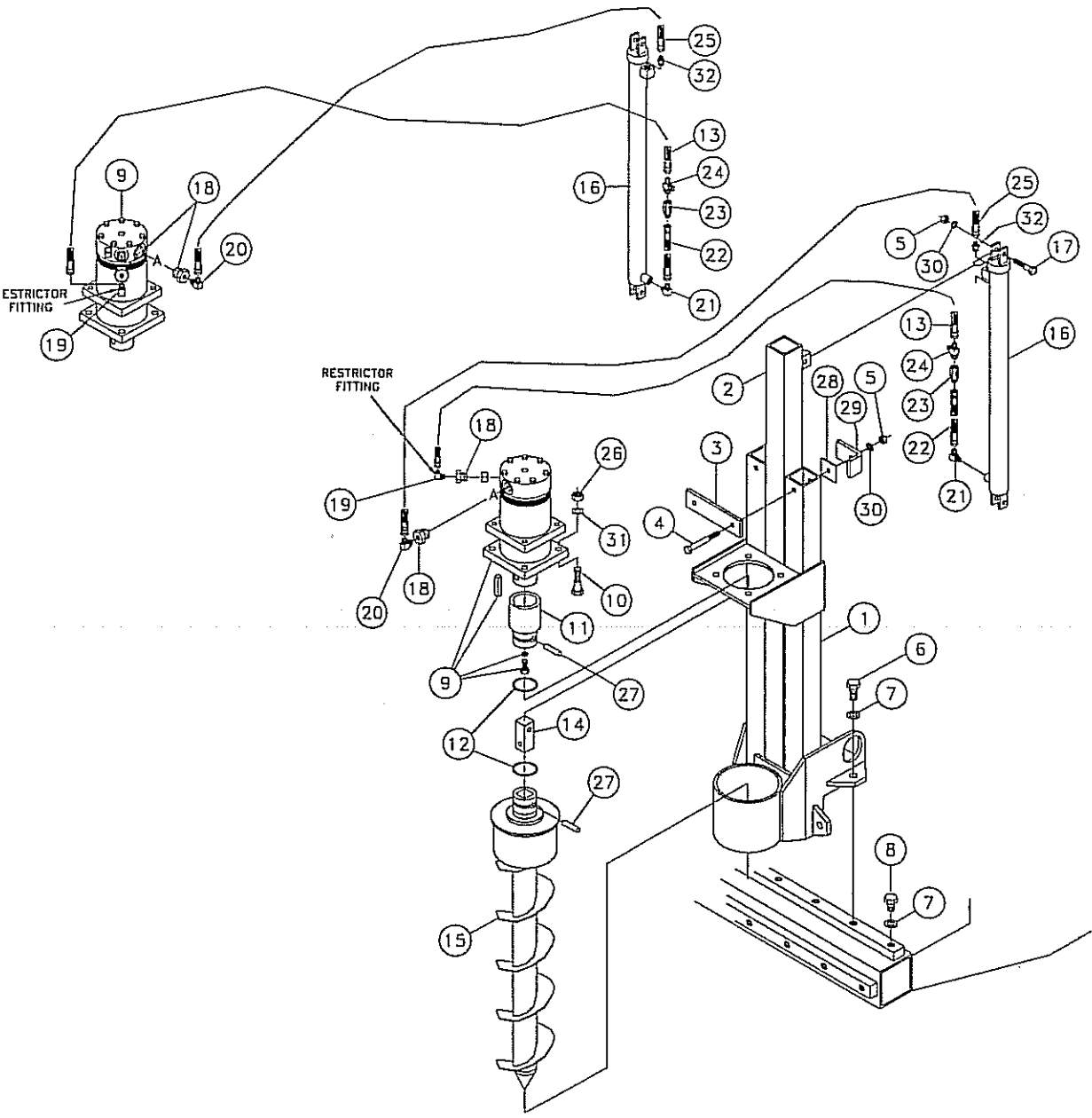
HYDRAULIC COMPONENTS LOCATION DIAGRAM - STATIONARY STAKE DOWN

Figure 15-1



STATIONARY STAKEDOWN ASSEMBLY

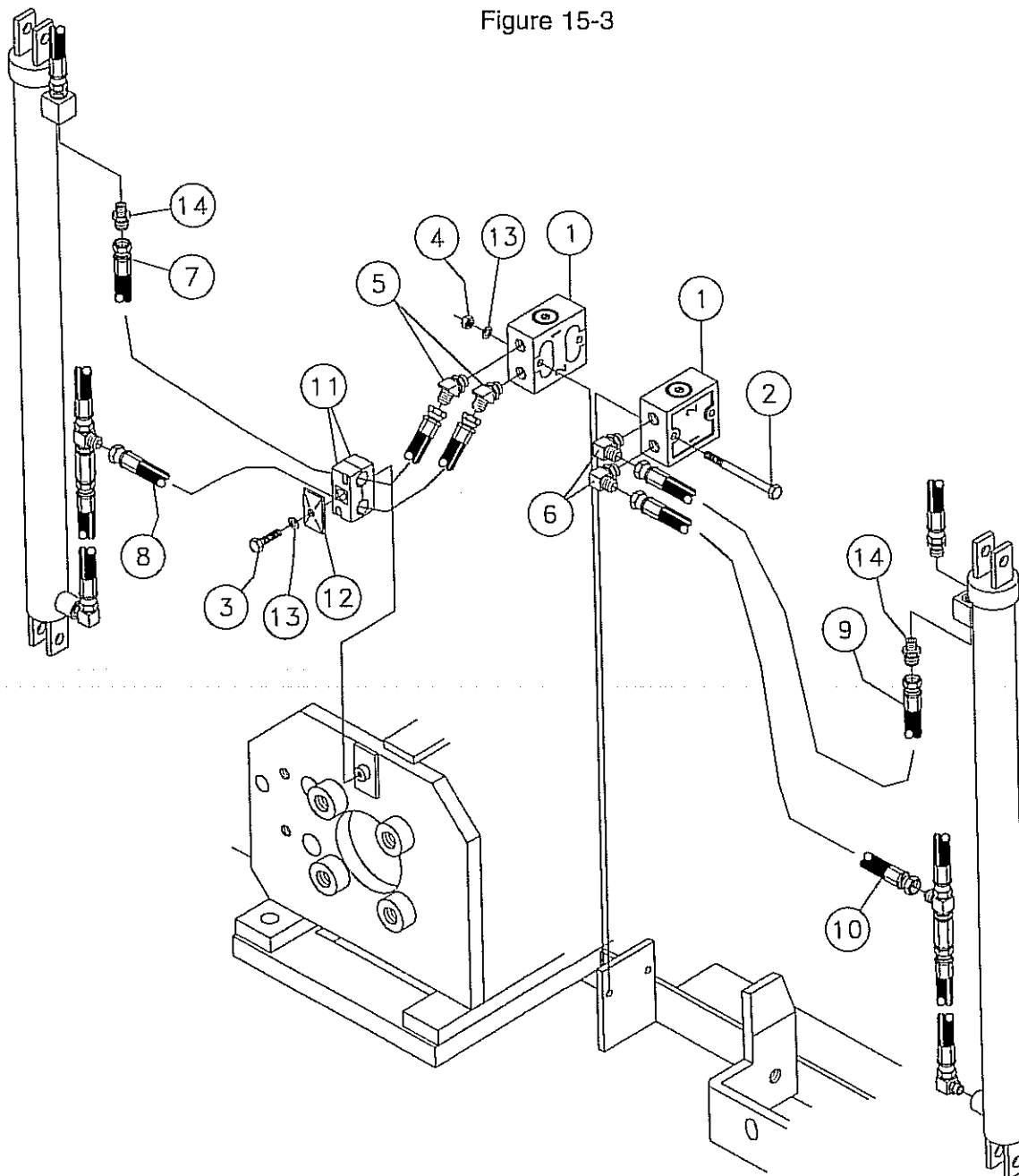
Figure 15-2



REF. NO.	PART NO.	DESCRIPTION	QTY.	REF. NO.	PART NO.	DESCRIPTION	QTY.
15-2	1	235916-001 TOWER-STAKEDOWN	2	15-2	17	235718-001 BOLT-1/2-13X2 GR8 HEX ZINC PLT	4
15-2	2	236210-001 MOUNT-SLIDE MOTOR	2	15-2	18	117452-001 FITTING-12M ORINGX6F ORING STR	4
15-2	3	232482-001 BAR-REINFORCEMENT	2	15-2	19	122606-001 FITTING-6MX6M JIC90 DEG W/ RSTS	2
15-2	4	238244-001 BOLT 1/2"-13 X 4" GR8 HEX Y/ZIN	4	15-2	20	59426-001 FITTING-6M JICX6M ADJ 90 ELBOW	2
15-2	5	235731-001 NUT-1/2-13 GR8 ZINC PLTD	8	15-2	21	60906-001 4MX6M JIC 90 DEG ELBOW	2
15-2	6	250643-001 BOLT-3/4-10X1 1/4 GR 8 HEX ZINC	8	15-2	22	57940-201 HOSE-3/8X10 6FS JIC (100R2)	2
15-2	7	238717-001 SCREW-1/2X5/8 SOC HD SHOULDER	12	15-2	23	245057-001 VALVE-3/8 REV FREE FLW W/.030C	2
15-2	8	250505-001 BOLT 3/4-10 X 1" GR8 HEX YZINC	4	15-2	24	68774-001 FITTING-6MX6M JIC (RUN)X6M JIC	2
15-2	9	236219-001 HYD MOTOR (BREAKDOWN FIG. 15-5)	2	15-2	25	57940-293 HOSE-3/8 X 46 6FS JIC 3000 PSI	2
15-2	10	238245-001 BOLT 5/8"-11 X 2 1/4" GR8 HEX	8	15-2	26	241065-001 NUT-5/8 UNC GR8 HEX ZINC	8
15-2	11	236205-001 HUB-STAKE DRIVE	2	15-2	27	236200-001 PIN-STAKE KEEPER	4
15-2	12	236229-001 O-RING	4	15-2	28	236233-001 PLATE-SPACER	4
15-2	13	57940-715 HOSE-3/8X58 6FSJICST 3000#	2	15-2	29	236232-001 BAR-GUIDE	4
15-2	14	236230-001 BAR-STAKE DRIVE	2	15-2	30	485-025 WASHER-1/2 FLAT-HARDENED-ZINC	8
15-2	15	232484-001 STAKE-6" FLIGHT	2	15-2	31	235715-001 WASHER-5/8 SAE HARD ZINC PLTD	8
15-2	16	245060-001 CYLINDER-1 1/2 X 24 W/TEE (BREAKDOWN FIG. 15-6)	2	15-2	32	65569-001 4M X 6M JIC ST.	2

LOCK VALVE ASSEMBLY

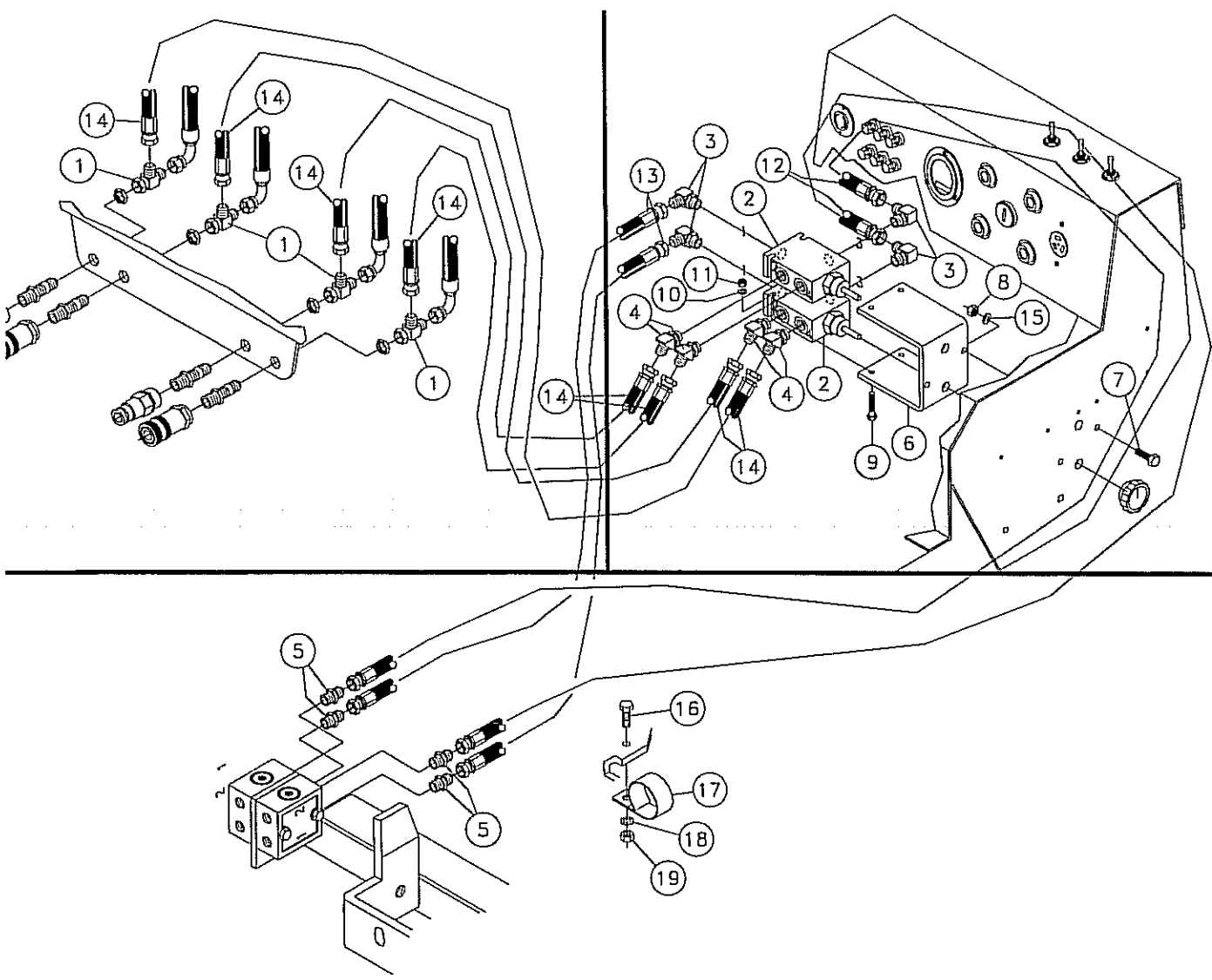
Figure 15-3



REF. NO.	PART NO.	DESCRIPTION	QTY.
15-3	1	86668-001 VALVE-LOA-6-D (BREAKDOWN FIG. 5-17)	2
15-3	2	250503-001 BOLT 5/16-18 X 3 3/4" GR8 HEX	2
15-3	3	248031-001 BOLT-5/16-18X1 1/4 GR8 ZINC PL	1
15-3	4	235741-001 NUT-5/16-18 GR8 ZINC PLTD	2
15-3	5	65563-001 6M X 6M JIC 45 DEGREE	2
15-3	6	59426-001 FITTING-6M JICX6M ADJ 90 ELBOW	2
15-3	7	57940-281 HOSE-3/8X40 6FS JIC 3000 PSI	1
15-3	8	57940-209 HOSE-3/8X30 6FS JIC (3000PSI)	1
15-3	9	57940-233 HOSE-3/8X34 6FS JIC 3000 PSI	1
15-3	10	57940-257 HOSE-3/8X22 6FS JIC ST M1T	1
15-3	11	900035-005 CLAMP-3/8"DOUBLE HOSE	2
15-3	12	67846-003 PLATE-TWIN COVER	1
15-3	13	235714-001 WASHER-5/16 SAEHARD ZINC PLTD	3
15-3	14	65569-001 FITTING-4MX6M JIC ST ADAPT	2

SHUTOFF VALVE ASSEMBLY

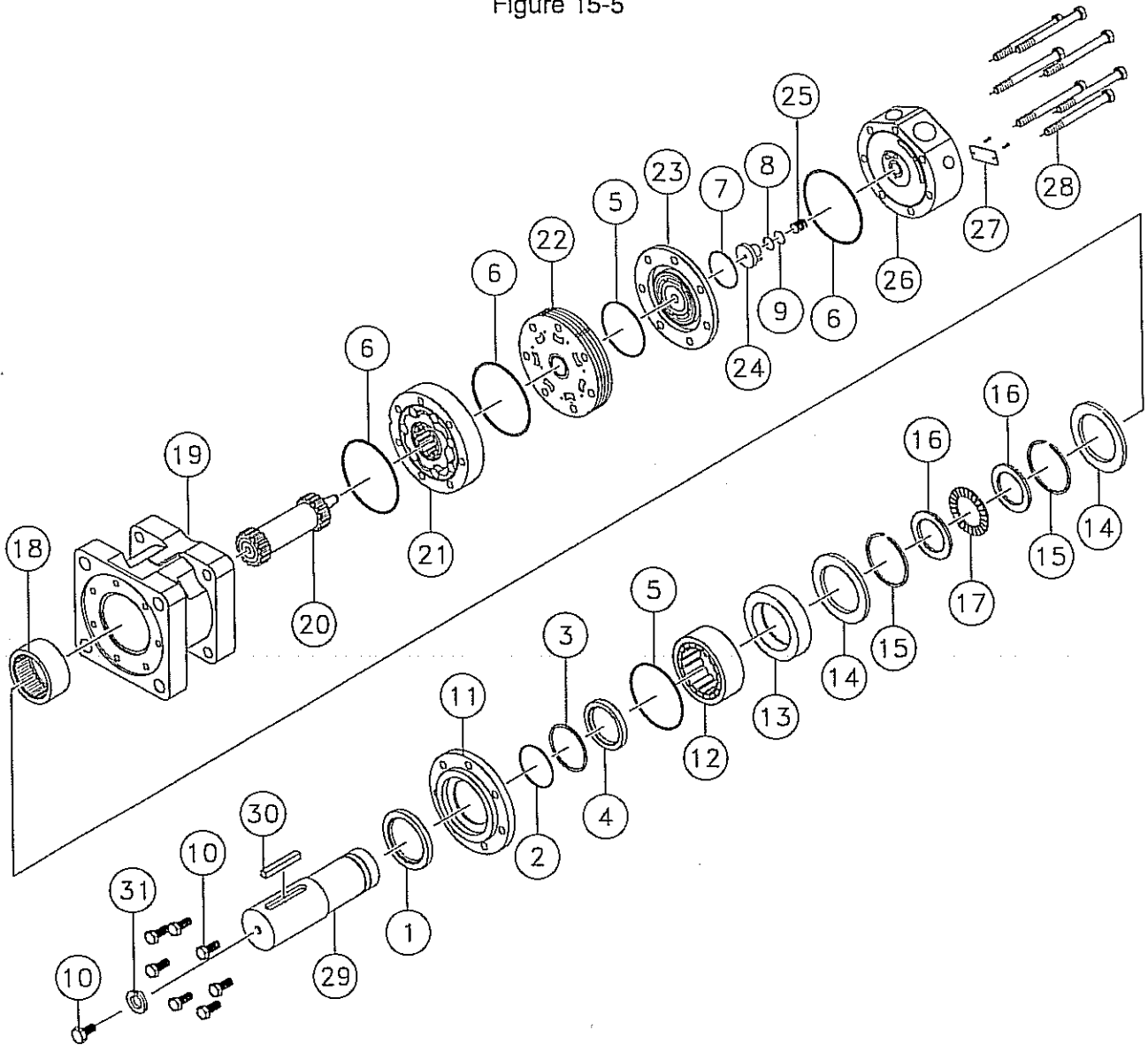
Figure 15-4



REF. NO.	PART NO.	DESCRIPTION	QTY.	REF. NO.	PART NO.	DESCRIPTION	QTY.
15-4	1	TEE-6M JIC BCH 6FS JIC X6M JIC	4	15-4	10	WASHER-1/4 SAE HARD ZINC PLTD	4
15-4	2	VALVE-4WAY, 2 POS. SHUTOFF (BREAKDOWN FIG. 15-7)	2	15-4	11	NUT-1/4-20 GR8 ZINC PLTD	4
15-4	3	FITTING-6M JICX6M ADJ 90 ELBOW	4	15-4	12	HOSE-3/8X163 6FS JIC 3000 PSI	2
15-4	4	6M X 6M JIC 45 DEGREE	4	15-4	13	HOSE-3/8X156 6FS JIC (100R2)	2
15-4	5	FITTING-6M X 6M JIC ST.	4	15-4	14	HOSE-3/8X42 6FS JIC 3000 PSI	4
15-4	6	PLATE-SHUT OFF MOUNT OS	1	15-4	15	WASHER-5/16 SAE HARD ZINC PLTD	2
15-4	7	BOLT-5/16-18X1 GR8 HEX ZINC YC	2	15-4	16	BOLT-3/8-16X1 GR8 HEX ZINC PLT	1
15-4	8	NUT-5/16-18 GR8 ZINC PLTD	2	15-4	17	HOSE CLAMP-CCV2913 1 3/4"	1
15-4	9	BOLT-1/4-20 X 2 GR8 HEX Y/ZINC	4	15-4	18	WASHER-3/8 SAE HARD ZINC PLTD	1
				15-4	19	NUT-3/8-16 GR8 ZINC PLTD	1

HYDRAULIC MOTOR COMPONENTS

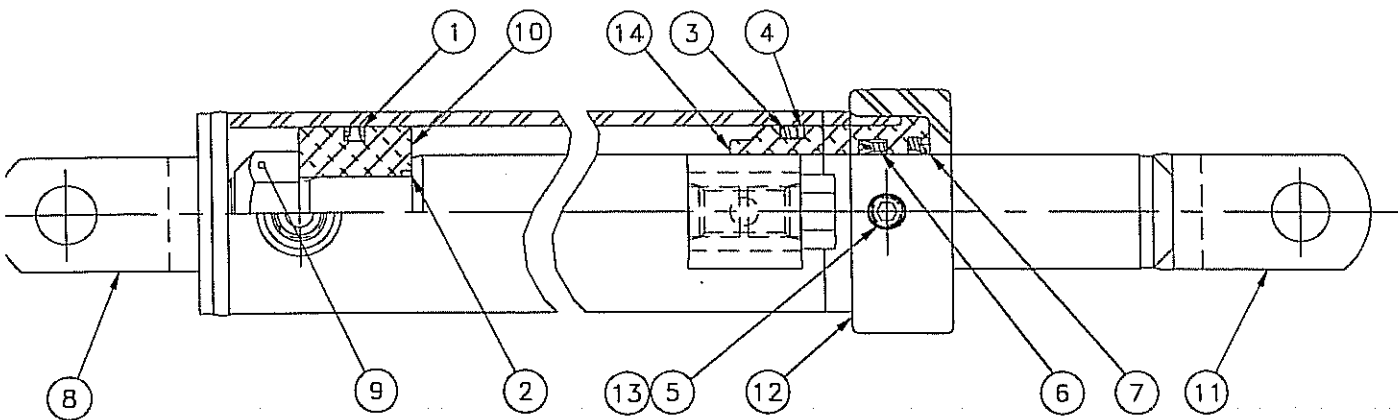
Figure 15-5



REF. NO.	PART NO.	DESCRIPTION	QTY.	REF. NO.	PART NO.	DESCRIPTION	QTY.
15-5	1	NSS SEAL-DUST	1	15-5	20	DRIVE LINK	1
15-5	2	NSS SHIM-METAL BACKUP	1	15-5	21	ROTOR ASSEMBLY	1
15-5	3	NSS SEAL-TEFLON BACKUP	1	15-5	22	236219-029 MANIFOLD	1
15-5	4	NSS SEAL-SHAFT	1	15-5	23	236219-031 COMMUTATOR ASSEMBLY	1
15-5	5	NSS SEAL-LATHE CUT	2	15-5	24	236219-033 PISTON-ENDCOVER	1
15-5	6	NSS SEAL-BODY	3	15-5	25	236219-035 SPRING-PISTON	1
15-5	7	NSS SEAL-COMMUTATOR	1	15-5	26	236219-037 ENDCOVER (INC. REF. 8, 9, 24 & 25)	1
15-5	8	NSS SEAL-O-RING	1	15-5	27	NSS I.D. TAG ASSEMBLY	1
15-5	9	NSS SEAL-TEFLON BACKUP	1	15-5	28	236219-039 BOLT	7
15-5	10	383-010 BOLT-1/2-20X1 GR.8 HEX HEAD	8	15-5	29	236219-041 SHAFT-ASSEMBLY (INC. REF. 1-5, 10-17 & 29-31)	1
15-5	11	236219-007 RING-PILOT	1	15-5	30	236219-005 KEY-SHAFT	1
15-5	12	236219-009 BEARING-2 1/2" ROLLER	1	15-5	31	480-011 WASHER-1/2 S/T LOCK	1
15-5	13	236219-011 SPACER-BEARING	1				
15-5	14	236219-013 WASHER-RETAINING	2				
15-5	15	236219-015 SNAP RING	2				
15-5	16	236219-017 WASHER-THRUST	2				
15-5	17	236219-019 BEARING-THRUST	1				
15-5	18	236219-021 BEARING-REAR HOUSING	1				
15-5	19	236219-023 HOUSING	1				
						236219-001 HYD MOTOR-66CI (INC. ALL ITEMS IN THIS FIGURE)	
						236219-003 SEAL KIT-HYD. MOTOR (INC. REF. 1-9)	
						NSS NOT SOLD SEPARATELY	

HYDRAULIC CYLINDER COMPONENTS - 1 1/2" X 24" W/ TEE

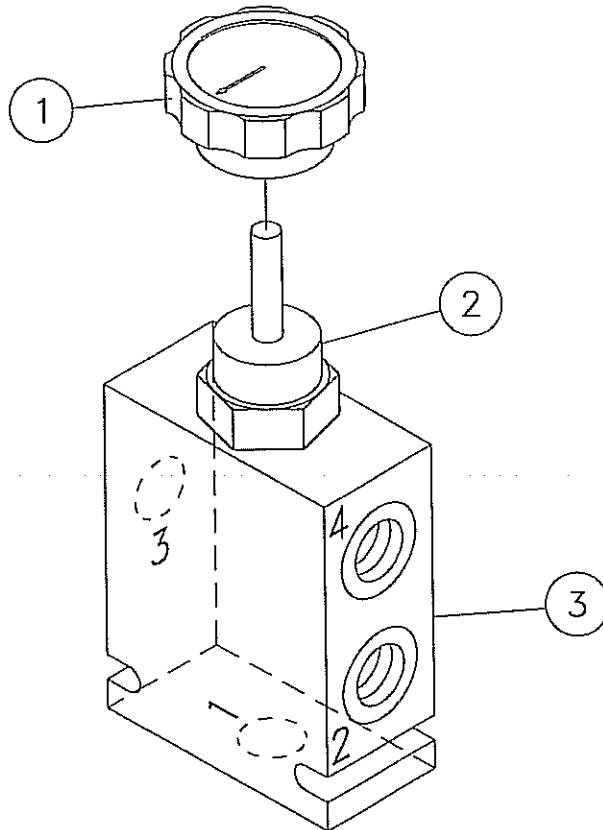
Figure 15-6



REF. NO.	PART NO.	DESCRIPTION	QTY.
15-6	1	245060-003 PSP "A" SEAL	1
15-6	2	232422-005 O-RING	1
15-6	3	232422-007 O-RING	1
15-6	4	232422-009 BACKUP RING	1
15-6	5	232422-011 LOCKING INSERT	1
15-6	6	232422-013 DOUBLE LIP U-CUP	1
15-6	7	232422-015 ROD WIPER	1
15-6	8	245060-005 TUBE-WELDMENT	1
15-6	9	232422-019 .625-18UNF LOCKNUT	1
15-6	10	232422-021 PISTON	1
15-6	11	232422-023 ROD WELDMENT	1
15-6	12	232422-025 HEAD GLAND CAP	1
15-6	13	99859-005 SCREW-LG SET .313-18 X .25	1
15-6	14	232422-027 HEAD GLAND	1
	245060-007	SEAL KIT (INC. REF. 1-7)	
	245060-001	CYLINDER-1 1/2 X 24 W/TEE (INC. ALL ITEMS IN THIS FIGURE)	

SHUT OFF VALVE COMPONENTS

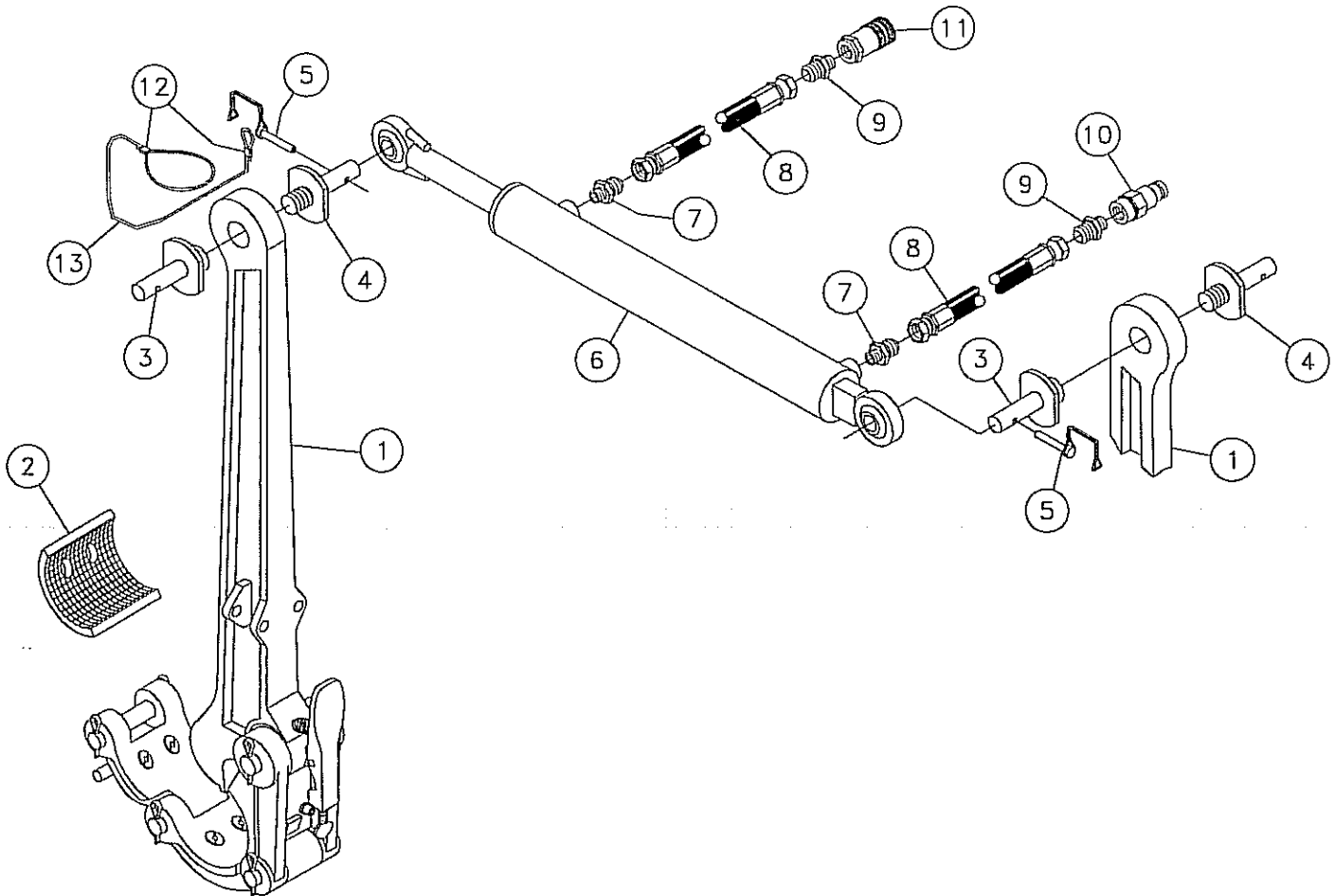
Figure 15-7



<u>REF. NO.</u>	<u>PART NO.</u>	<u>DESCRIPTION</u>	<u>QTY.</u>
15-7	1	236406-003 KNOB	1
15-7	2	236406-005 VALVE	1
15-7	3	NSS BODY	1
	236406-001	VALVE-4WAY, 2 POS. SHUTOFF (INC. ALL ITEMS IN THIS FIGURE)	
	236406-007	REPAIR KIT	
	NSS	NOT SOLD SEPARATELY	

TUBING TONG ASSEMBLY

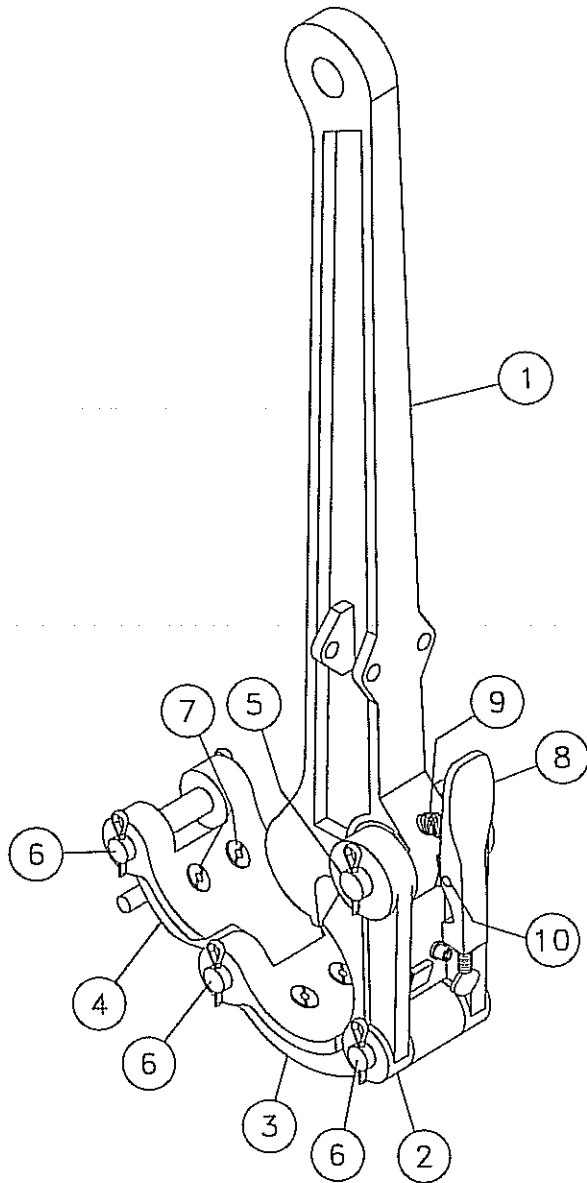
Figure 16-1



REF. NO.	PART NO.	DESCRIPTION	QTY.		
			2 3/8"	2 7/8"	3 1/2"
16-1	1	230970-001 TONG-K30 LIGHT WEIGHT TUBING (BREAKDOWN FIG. 16-2)	2	2	2
16-1	2	235870-001 K-30 2 5/8 DIES (3/SET)	1		
		230972-001 DIES-3 1/4" TUBING TONG (3/SET)		1	
		230974-001 DIES-3 5/8" TUBING TONG (3/SET)			1
16-1	3	234967-001 PIN-FEMALE CYLINDER	2	2	2
16-1	4	234966-001 PIN-MALE CYLINDER	2	2	2
16-1	5	2108-001 LYNCH PIN - 1/4 X 2	2	2	2
16-1	6	230977-001 CYLINDER-2" X 15" (BREAKDOWN FIG. 10-10)	1	1	1
16-1	7	86235-001 6M ORING X 8M JIC STR.	2	2	2
16-1	8	53844-167 HOSE-1/2X240 8FS JIC 3000 PSI	2	2	2
16-1	9	68634-001 FITTING-3/8MX8M JIC (STR)	2	2	2
16-1	10	221503-001 COUPLER-3/8 NPT QUICK (MALE)	1	1	1
16-1	11	221504-001 COUPLER-3/8 NPT QUICK (FEMALE)	1	1	1
16-1	12	183B-001 CONNECTOR-WIRE (ETC)	4	4	4
16-1	13	240546-001 CABLE-3/32 NYLON-18.00	2	2	2

TUBING TONG COMPONENTS

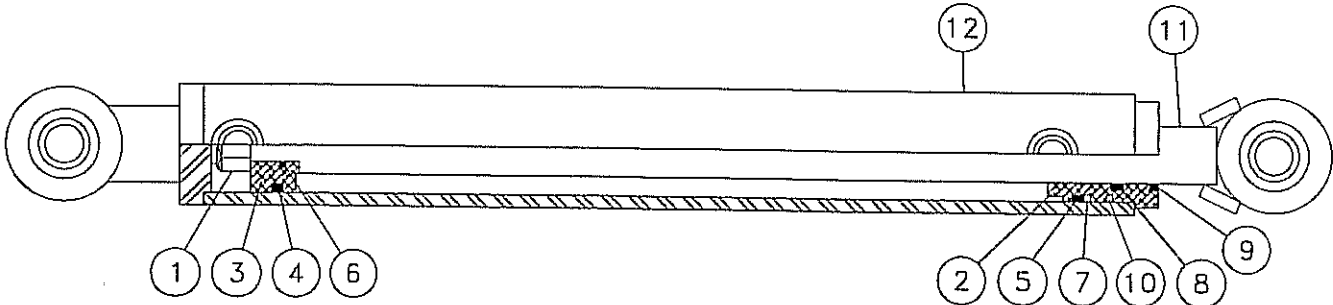
Figure 16-2



<u>REF. NO.</u>	<u>PART NO.</u>	<u>DESCRIPTION</u>	<u>QTY.</u>
16-2	1	230970-003 TONG HANDLE	1
16-2	2	230970-005 HANDLE JAW	1
16-2	3	230970-007 CENTER JAW	1
16-2	4	230970-009 LATCH JAW	1
16-2	5	230970-011 HANDLE PIN	1
16-2	6	230970-013 JAW PIN	3
16-2	7	230970-015 BUSHING AND SCREW	6
16-2	8	230970-017 ADJUSTABLE TONG LATCH	1
16-2	9	230970-019 LATCH SPRING	1
16-2	10	230970-021 LATCH RIVET	1
	230970-001	TONG-K30 LIGHT WEIGHT TUBING (COMPLETE) (INC. ALL ITEMS IN THIS FIGURE)	

HYDRAULIC CYLINDER COMPONENTS - 2" X 15"

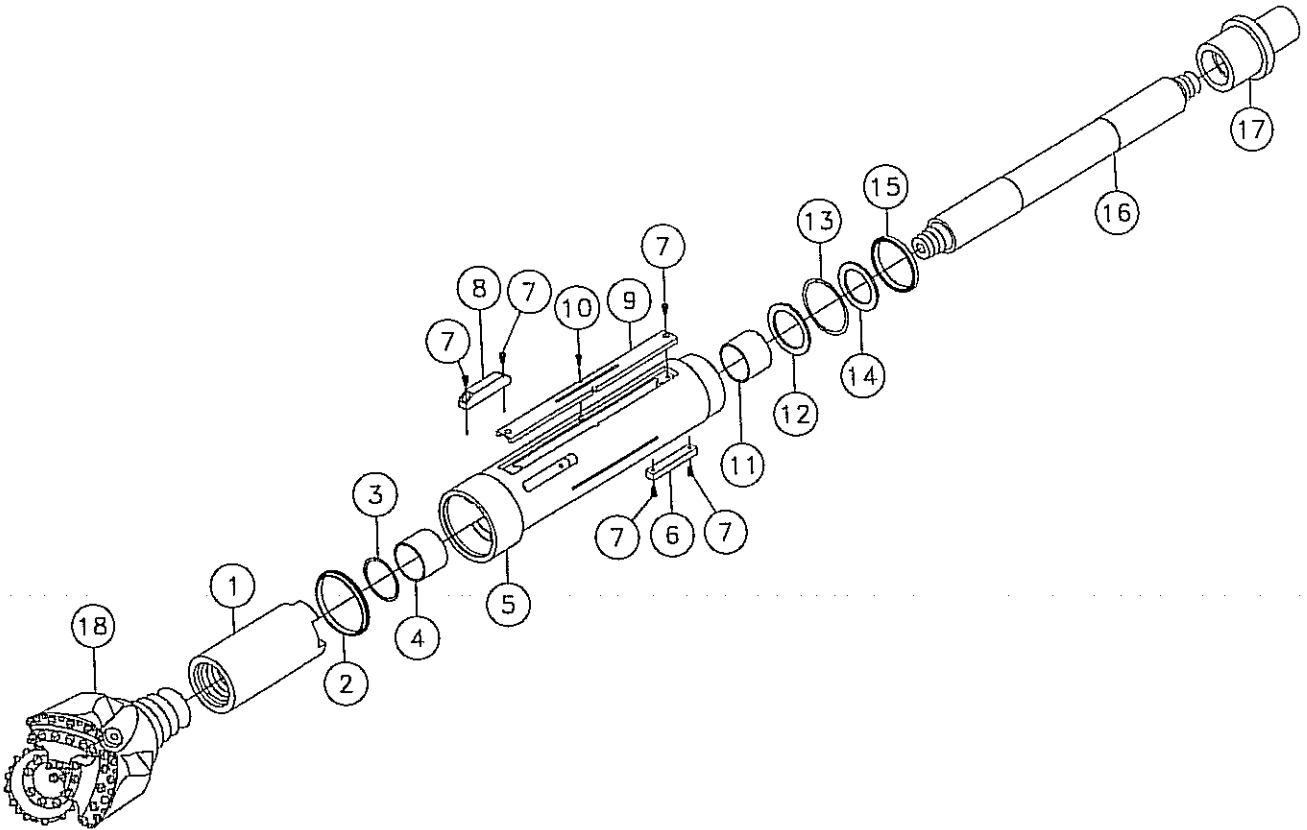
Figure 16-3



REF. NO.	PART NO.	DESCRIPTION	QTY.
16-3	1	230977-003 NUT	1
16-3	2	230977-005 HEAD	1
16-3	3	230977-007 PISTON	1
16-3	4	230977-009 PSP-SEAL	1
16-3	5	51181-001 O-RING	1
16-3	6	792-029 O-RING	1
16-3	7	230977-011 BACK-UP	1
16-3	8	230977-013 ROD SEAL	1
16-3	9	230977-015 DUST SEAL	1
16-3	10	230977-017 RETAINING RING	1
16-3	11	230977-019 SHAFT (W/CLEVIS)	1
16-3	12	230977-021 BARREL (W/CLEVIS AND PORTS)	1
	230977-023	REPAIR KIT (INC. REF. 4-10)	
	230977-001	CYLINDER-2"X15" (INC. ALL ITEMS IN THIS FIGURE)	

ROCK DRILLING HEAD ASSEMBLY

Figure 17-1



<u>REF. NO.</u>	<u>PART NO.</u>	<u>DESCRIPTION</u>	<u>QTY.</u>
17-1	1	235298-001 DRIVE SUB-LOWER	1
17-1	2	240661-001 ROD WIPER - 4 1/2 PARKER	1
17-1	3	240658-001 RETAINING RING-3.125 INTERNAL	1
17-1	4	240637-001 BEARING-ROCK HEAD FRONT	1
17-1	5	240654-001 HOUSING ASSEMBLY (INC. REF. 4 & 11)	1
17-1	6	234943-001 SLIDER-REAR	2
17-1	7	512-006 3/8-16X3/4"SOCKET HEAD BOLT	10
17-1	8	234942-001 SLIDER-FRONT	2
17-1	9	240656-001 LID ASSEMBLY	1
17-1	10	240560-001 BOLT-5/16-18 X 3/8 SOC HD CAP	2
17-1	11	240636-001 BEARING-ROCK HEAD REAR	1
17-1	12	234976-001 THRUST WEAR PLATE	1
17-1	13	240659-001 RETAINING RING-3.875 INTERNAL	1
17-1	14	240639-001 BEARING-THRUST	1
17-1	15	240660-001 ROD WIPER- 3 1/2 PARKER	1
17-1	16	235301-001 DRIVE SHAFT - 2 5/8	1
17-1	17	235296-001 DRIVE SHAFT SUB - UPPER	1
17-1	18	240641-001 TRI CONE BIT-6 1/2"13 CARBIDE	1

(PAGE 2) D24X40A NAVIGATOR INDEX

<u>FIG. NO.</u>	<u>PART NO.</u>	<u>FIG. NO.</u>	<u>PART NO.</u>	<u>FIG. NO.</u>	<u>PART NO.</u>	<u>FIG. NO.</u>	<u>PART NO.</u>				
1-3	8	2326-142	6-9	25	4485-021	4-4	12	53837-001	5-5	15	53845-479
1-1	25	2326-315	14-4	22	4485-021	4-5	22	53837-001	5-7	12	53845-519
1-4	16	2326-315	3-7	23	4485-023	5-7	9	53842-261	5-9	4	53845-519
1-1	27	2326-324	6-9	25	4485-023	5-10	8	53842-261	4-2	23	53845-531
1-4	10	2326-324	14-4	21	4485-023	2-2	18	53842-427	7-2	18	53845-573
1-1	15	2326-756	8-5	10	4536-001	6-4	6	53843-003	4-2	15	53845-749
1-4	2	2326-756	8-7	9	4542-005	6-7	10	53843-003	4-7	5	53845-749
1-1	17	2326-940	8-9	10	4734-001	10-5	10	53843-005	4-2	21	53845-807
1-2	19	2326-940	4-11	14	4771-061	10-6	3	53843-005	4-7	10	53845-807
1-3	7	2326-940	10-1	0 1	4883-001	6-4	8	53843-057	4-5	4	53845-809
2-8	22	2595-001	3-6	29	5460-001	14-1	4	53843-099	4-7	2	53845-809
8-5	8	2595-001	8-2	31	5537-001	14-2	4	53843-099	4-5	1	53845-811
8-2	20	2595-009	8-14	2	5537-001	11-4	6	53843-119	4-7	1	53845-811
2-10	2	2609-011	10-3	12	5638-014	11-6	9	53843-119	5-4	7	53845-813
5-4	1	2708-001	2-1	7	5902-001	5-13	5	53843-189	5-7	11	53845-813
8-9	7	2786-001	3-8	4	6149-005	10-5	1	53843-239	6-5	1	53846-017
8-7	20	2809-001	3-10	6	6149-005	10-8	7	53843-239	6-6	5	53846-017
3-6	41	2876-003	5-15	4	6149-005	5-13	14	53843-239	5-4	4	53846-249
3-9	1	3128-009	3-10	4	6149-043	5-7	5	53843-331	6-6	4	53846-249
3-11		3147-011	3-10	2	6149-057	5-8	18	53843-331	6-3	4	53871-001
3-11	12	3147-027	10-1	1 5	6284-003	5-9	11	53843-331	7-4	51	55419-001
3-8	10	3147-029	8-5	18	10530-012	6-4	9	53843-331	4-4	1	56218-001
5-15	10	3147-029	2-2	4	11981-001	10-5	11	53843-339	6-2	13	56647-001
3-8	14	3147-035	2-5	8	13323-001	10-7	7	53843-339	5-10	3	56725-001
3-9		3147-035	2-5	13	13323-001	10-5	3	53843-447	8-2	1	57200-001
5-15	14	3147-035	2-6	4	13323-001	10-7	6	53843-447	3-6	34	57301-001
3-9		3147-037	5-4	10	13884-001	5-5	19	53843-487	8-2	37	57337-001
3-8	22	3147-039	5-15	6	14173-003	5-6	5	53843-487	2-8	19	57706-001
3-9	2	3147-041	10-3	10	15289-001	5-6	10	53843-523	5-8	13	57940-051
3-9	8	3147-043	3-11		15844-007	5-12	2	53843-523	3-2	15	57940-089
3-8	9	3147-077	3-11	4	15844-009	5-5	17	53843-533	3-5	15	57940-089
5-15	9	3147-077	4-7	6	16114-034	5-8	16	53843-533	6-3	8	57940-089
3-8	16	3147-081	6-5	4	16114-034	10-5	14	53843-567	15-4	13	57940-156
5-15	16	3147-081	11-3	9	16114-034	10-6	9	53843-567	5-8	7	57940-201
3-10	1	3149-005	10-1	0 2	16138-031	11-4	5	53843-587	15-2	22	57940-201
3-10	3	3149-013	5-4	1	16284-001	11-5	7	53843-587	15-3	8	57940-209
3-8	5	3152-011	3-8	6	16358-005	10-5	15	53843-599	15-3	9	57940-233
5-15	5	3152-011	2-13	10	18988-001	10-6	6	53843-599	15-3	10	57940-257
3-8	5	3152-013	2-5	10	18991-001	11-4	9	53843-689	15-4	14	57940-273
5-15	5	3152-013	2-8	6	19272-001	11-6	10	53843-689	3-2	15	57940-279
3-8	21	3213-017	8-5	13	21285-001	6-4	5	53843-701	3-5	14	57940-279
5-15	21	3213-017	1-2	29	23261-315	6-7	9	53843-701	15-3	7	57940-281
5-17		3216-003	1-4	16	23261-315	7-2	25	53843-721	15-2	25	57940-293
5-17		3216-005	1-2	31	23261-324	8-11	5	53843-721	15-4	12	57940-537
5-17	1	3216-007	1-4	10	23261-324	3-2	1	53843-735	5-8	9	57940-581
5-17	3	3216-009	1-2	16	23261-756	3-5	12	53843-735	5-9	6	57940-581
5-17	4	3216-011	1-4	2	23261-756	3-2	1	53843-737	5-7	16	57940-583
5-17	5	3216-013	8-5	7	26452-001	3-5	13	53843-737	5-14	4	57940-583
5-17	9	3216-015	8-5	6	26453-001	4-2	11	53843-739	15-2	13	57940-715
7-3	17	3379-001	8-2	6	27148-001	5-7	13	53843-741	3-2	14	57946-001
4-12	5	3888-001	11-8	4	51175-001	8-11	11	53843-741	5-7	15	57946-001
8-7	8	4153-001	10-9	3	51181-001	4-2	8	53843-743	10-8	6	57950-001
3-8	11	4333-003	16-3	5	51181-001	4-6	4	53843-743	11-4	2	57950-001
5-15	11	4333-003	8-1	5	53276-001	6-3	5	53843-743	5-8	19	57954-001
8-10	7	4333-003	3-5	5	53657-001	4-4	13	53844-061	3-4	5	57967-001
3-8	12	4333-005	7-2	28	53666-001	4-5	15	53844-061	10-8	5	57967-001
5-15	12	4333-005	5-11	12	53823-001	5-5	14	53844-151	14-1	6	57967-001
8-10	8	4333-005	4-4	7	53824-001	16-1	8	53844-167	3-2	16	57968-001
6-9	26	4343-031	5-5	22	53824-001	6-2	1	53844-369	3-5	4	57968-001
6-9	27	4343-031	4-5	13	53826-001	5-4	6	53845-111	4-2	26	57968-001
8-12	7	4473-004	5-10	7	53827-001	6-3	9	53845-135	5-8	4	57968-001
8-5	15	4473-006	4-2	22	53828-001	6-5	13	53845-135	5-9	13	57968-001
8-5	9	4475-006	4-4	2	53828-001	5-4	9	53845-171	10-6	7	57968-001
2-3	5	4478-014	4-5	20	53828-001	5-6	8	53845-171	14-1	5	57968-001
6-9	2	4485-011	4-7	3	53828-001	5-9	8	53845-225	14-2	5	57968-001
6-9	2	4485-015	5-7	10	53828-001	6-2	3	53845-303	5-13	7	57968-001
3-7	24	4485-019	5-9	2	53828-001	6-5	10	53845-303	8-11	7	57968-001
14-4	22	4485-019	6-5	8	53828-001	7-2	22	53845-339	3-6	32	58139-001
3-7	24	4485-021	6-2	14	53834-001	6-5	11	53845-435	6-4	7	58295-001

<u>FIG. NO.</u>	<u>PART NO.</u>	<u>FIG. NO.</u>	<u>PART NO.</u>	<u>FIG. NO.</u>	<u>PART NO.</u>	<u>FIG. NO.</u>	<u>PART NO.</u>				
3-6	2	58726-001	6-8	3	68094-057	1-3	15	7001A-743	3-7	12	70020-005
3-4	4	59401-001	2-8	15	68125-001	1-1	33	7001A-771	3-7	22	70020-007
5-14	6	59403-001	4-2	27	68210-001	1-2	9	7001A-771	14-4	6	70020-007
5-5	8	59407-001	4-6	7	68210-001	1-3	2	7001A-771	5-4	5	70028-001
4-2	24	59410-001	10-5	9	68210-033	1-1	21	7001A-881	5-4	3	70030-001
4-5	9	59410-001	10-7	5	68210-033	1-2	6	7001A-881	4-9	6	70096-001
4-7	9	59410-001	16-1	9	68634-001	1-3	19	7001A-881	8-2	6	70889-001
5-9	9	59410-001	6-3	6	68707-001	1-1	39	7001A-967	4-5	3	71252-001
6-5	14	59410-001	3-5	6	68774-001	1-2	39	7001A-967	6-5	6	71252-001
5-6	4	59423-001	5-8	12	68774-001	1-3	20	7001A-967	4-2	9	72056-001
5-7	4	59423-001	15-2	24	68774-001	7-3	13	7000A-027	8-2	2	72079-001
6-3	3	59423-001	8-2	36	69757-001	1-1	23	7000A-393	8-2	5	72081-001
6-4	4	59423-001	8-2	1	69759-001	1-4	3	7000A-393	4-2	13	72895-001
6-7	8	59423-001	8-5	20	69759-001	1-1	22	7000A-394	4-9	3	72897-001
10-5	4	59423-001	6-2	4	69918-001	1-4	4	7000A-394	6-7	5	75382-001
11-6	8	59423-001	1-1	40	7001A-193	1-1	19	7000A-528	10-3	9	75382-001
5-8	6	59426-001	1-2	40	7001A-193	1-3	17	7000A-528	8-10	4	75386-001
15-2	20	59426-001	1-3	21	7001A-193	1-1	24	7000A-576	1-8	16	75391-001
15-3	6	59426-001	2-13	13	7001A-193	1-4	14	7000A-576	4-3	21	75391-001
15-4	3	59426-001	1-1	34	7001A-305	1-1	20	7000A-627	7-2	8	75493-001
5-9	7	59427-001	1-2	22	7001A-305	1-4	19	7000A-627	14-1	9	75814-041
15-4	1	59427-001	1-3	10	7001A-305	10-4	30	7000A-627	6-2	15	76455-001
5-14	5	59427-001	1-1	35	7001A-306	1-1	31	7000A-740	2-6	11	76533-001
4-5	2	59434-001	1-2	21	7001A-306	1-2	8	7000A-740	2-2	19	77734-001
5-9	10	59928-001	1-3	11	7001A-306	1-4	7	7000A-740	2-2	23	78062-001
2-11	2	60109-001	1-2	35	7001A-393	1-1	4	7000A-778	8-2	35	78114-001
3-5	7	60248-001	1-2	28	7001A-394	1-2	2	7000A-778	2-11	7	78171-001
10-1	0	60531-001	1-4	4	7001A-394	1-4	13	7000A-778	5-3	3	78544-001
4-7	4	60718-001	1-1	14	7001A-408	1-1	38	7000A-900	10-1	1	79530-009
5-6	6	60718-001	1-2	24	7001A-408	1-2	38	7000A-900	3-8	15	79704-001
7-2	23	60718-001	1-3	4	7001A-408	1-4	20	7000A-900	3-10	5	79704-001
15-2	21	60906-001	1-1	13	7001A-409	1-2	27	7000I-044	5-15	15	79704-001
6-5	2	60907-001	1-2	13	7001A-409	1-4	8	7000I-044	8-2	16	79803-001
7-2	17	60908-001	1-3	3	7001A-409	1-2	17	7000I-098	5-5	9	81212-001
10-5	8	60908-001	1-1	8	7001A-426	1-4	9	7000I-098	5-3	10	81214-001
11-5	2	60908-001	1-2	25	7001A-426	1-2	32	7000I-530	5-5	13	81343-001
6-6	3	61703-001	1-3	13	7001A-426	1-4	15	7000I-530	8-2	8	81374-001
8-2	9	63579-001	1-1	7	7001A-441	9-3	2	7000I-530	5-3	9	81590-001
8-5	12	64075-001	1-2	11	7001A-441	1-2	33	7000I-563	8-11	4	81665-001
4-15	10	64078-025	1-3	1	7001A-441	1-4	5	7000I-563	3-4	2	81702-001
4-16	10	64078-025	1-1	10	7001A-472	1-1	29	70000-044	4-2	3	81902-001
4-15	11	64078-027	1-2	15	7001A-472	1-4	8	70000-044	4-17	2	81902-001
4-16	11	64078-027	1-3	6	7001A-472	1-1	18	70000-098	5-5	20	81921-001
2-2	14	64111-001	1-1	11	7001A-473	1-4	9	70000-098	4-2	28	82931-001
5-9	12	64168-001	1-2	23	7001A-473	1-1	16	70000-394	4-6	3	82931-001
15-3	5	65563-001	1-4	6	7001A-473	1-2	10	70000-394	10-6	2	82931-001
15-4	4	65563-001	1-1	12	7001A-474	1-4	1	70000-394	5-12	1	82931-001
4-4	4	65565-001	1-2	18	7001A-474	1-1	37	70000-530	3-4	3	82932-001
4-5	21	65565-001	1-3	5	7001A-474	1-4	15	70000-530	4-2	6	83015-001
5-8	8	65565-001	1-1	26	7001A-477	9-3	2	70000-530	4-2	29	83015-001
15-4	5	65565-001	1-2	30	7001A-477	1-1	28	70000-563	6-2	16	83015-001
5-7	7	65567-001	1-3	9	7001A-477	1-4	5	70000-563	4-15	12	83651-025
15-2	32	65569-001	1-1	32	7001A-488	10-4	31	70000-563	4-16	12	83651-025
3-4	6	65570-001	1-2	12	7001A-488	1-1	2	70000-614	4-15	3	84550-029
4-2	14	65930-001	1-3	16	7001A-488	1-2	3	70000-614	4-16	3	84550-029
8-2	9	66462-001	1-2	34	7001A-528	1-4	12	70000-614	4-17	1	85642-007
2-13	12	66816-001	1-3	17	7001A-528	7-3	13	70000-675	4-17	1	85642-009
6-9	26	66845-001	1-2	36	7001A-576	1-1	3	70000-775	4-17	1	85642-011
4-2	10	66996-001	1-4	14	7001A-576	1-2	4	70000-775	4-17	3	85642-079
8-2	11	67081-001	1-2	1	7001A-627	1-4	11	70000-775	4-17	3	85642-081
8-2	24	67292-001	1-4	19	7001A-627	1-1	5	70000-785	4-17	3	85642-083
8-14	1	67293-001	1-1	1	7001A-679	1-2	5	70000-785	4-2	2	85642-163
6-5	12	67570-001	1-2	20	7001A-679	1-3	12	70000-785	4-12	4	85647-025
2-11	14	67570-001	1-3	14	7001A-679	1-4	17	70000-785	1-7	2	85752-001
4-2	12	67745-001	1-1	9	7001A-696	1-1	30	70000-834	1-8	6	85752-001
9-1	9	67846-003	1-2	7	7001A-696	1-2	37	70000-834	1-9	14	85752-001
15-3	12	67846-003	1-3	18	7001A-696	1-4	18	70000-834	5-20	1	85777-031
5-11	8	67850-001	1-1	6	7001A-743	4-5	5	70008-001	8-1	3	85790-003
6-8	4	68094-055	1-2	14	7001A-743	3-7	11	70020-003	5-20	11	85923-023

(PAGE 4) D24X40A NAVIGATOR INDEX

<u>FIG. NO.</u>	<u>PART NO.</u>	<u>FIG. NO.</u>	<u>PART NO.</u>	<u>FIG. NO.</u>	<u>PART NO.</u>	<u>FIG. NO.</u>	<u>PART NO.</u>				
1-9	3	86104-257	2-2	1	103007-001	6-9	7	201666-043	5-19	11	212820-009
4-3	16	86104-257	2-1	11	103011-001	8-2	33	201785-001	5-22	1	212822-005
2-5	6	86113-001	2-2	11	103027-001	8-2	34	201793-001	3-6	10	212840-001
2-7	2	86113-001	5-5	4	103029-001	14-5	9	202720-001	13-1	6	213086-001
8-5	14	86217-001	5-5	18	103030-001	14-5	4	202726-001	13-2	6	213086-001
16-1	7	86235-001	5-5	5	103031-001	14-5	3	202727-001	13-3	6	213086-001
8-10	10	86319-001	5-5	3	103032-001	2-13	2	202831-001	13-1	6	213389-005
8-2	39	86579-001	6-2	17	103032-001	5-18	13	204355-001	13-2	6	213389-005
8-2	25	86580-001	8-2	22	103202-001	15-4	17	204721-001	13-3	6	213389-005
8-5	11	86582-001	14-1	21	103734-001	4-13	5	204954-001	13-1	5	213389-007
15-3	1	86668-001	5-5	10	103997-001	11-8	8	205001-001	13-2	5	213389-007
5-13	8	86668-001	2-2	11	104063-001	5-22	3	206271-005	13-3	5	213389-007
5-17		86668-001	2-1	12	104067-001	5-21	1	206271-007	13-1	4	213389-009
8-8	10	87356-003	2-1	12	104068-001	5-22	1	206271-007	13-2	4	213389-009
3-8	3	87390-001	2-1	5	104071-001	5-22	2	206271-007	13-3	4	213389-009
5-15	3	87390-001	2-1	6	104073-001	5-18	11	206557-009	13-1	1	213389-011
3-8	19	87397-001	2-1	6	104074-001	4-13	4	207418-005	13-2	1	213389-011
5-15	19	87397-001	2-1	11	107606-001	4-13	3	207418-009	13-3	1	213389-011
3-8	20	87398-001	5-23	2	110467-003	2-6	13	208065-001	5-12	6	213586-001
5-15	20	87398-001	6-12	1	110467-003	9-1	13	208065-001	5-13	3	213586-001
5-8	17	88545-001	2-6	9	110479-001	4-15	2	208148-001	1-7	9	213594-001
1-8	13	89349-001	7-2	27	111483-001	4-16	2	208148-001	1-8	2	213594-001
4-3	23	89349-001	6-2	2	111487-001	4-15	5	208151-001	1-9	10	213594-001
1-9	2	89371-001	5-5	1	113253-003	4-16	5	208151-001	1-7	1	213595-001
4-3	15	89371-001	5-19	6	115404-017	4-15	6	208152-001	1-8	10	213595-001
8-2	4	89597-001	15-2	18	117452-001	4-16	6	208152-001	1-9	13	213595-001
2-13	14	90622-001	7-2	2	120885-001	4-15	4	208157-001	1-7	8	213598-003
4-17	2	91019-003	7-2	12	120886-001	4-16	4	208157-001	1-8	1	213598-003
11-8	9	93180-007	15-2	19	122606-001	4-15	21	208163-001	5-11	5	213612-001
14-1	3	93707-001	7-6	2	123595-001	4-16	21	208163-001	1-9	7	213685-001
14-2	3	93707-001	7-6	1	123596-001	4-15	22	208164-001	5-11	3	213687-001
8-2	38	93831-001	2-13	8	125406-003	4-16	22	208164-001	6-10	2	213758-017
5-5	16	94572-013	2-13	9	125406-005	11-8	2	208177-001	12-1	1	213900-003
4-11	24	94594-007	5-9	5	130600-001	11-8	3	208178-001	12-1	4	213900-007
1-9	6	94974-001	5-14	3	130987-001	3-7	7	209107-005	12-1	9	213900-009
2-9	1	96072-001	8-13	4	142410-001	7-3	13	210779-001	12-2	9	213900-009
5-4	8	96075-001	8-13	6	142423-001	7-3	13	210779-005	12-1	3	213900-013
5-3	2	96291-001	8-13	5	142954-001	9-3	6	210780-001	12-1	5	213900-015
2-6	19	97456-001	11-8	1	200769-001	9-3	6	210780-003	12-1	1	213900-019
2-7	3	97456-001	5-19		200782-001	9-3	6	210780-005	12-1	8	213900-021
2-8	4	97456-001	5-19	12	200783-001	9-3	6	210780-007	12-2		213900-023
2-6	9	97874-003	5-19	13	200786-001	9-3	6	210780-009	12-2		213900-025
1-8	11	98422-001	5-19	4	200787-001	9-3	6	210780-011	12-2	1	213902-005
1-9	3	98422-001	5-19	8	200788-001	9-3	6	210780-013	12-3	1	213902-005
4-3	16	98422-001	5-19	1	200789-001	9-3	4	210781-001	12-2		213902-011
4-3	24	98422-001	5-18	4	200795-001	9-3	3	210782-001	10-1	1	214193-001
2-1	13	98678-001	5-18	6	200808-001	9-3	3	210782-003	10-8	1	214193-001
5-5	2	98687-005	5-19	2	200820-001	9-3	3	210782-005	10-1	1 11	214193-003
5-20	6	99541-017	5-19	3	200822-001	9-3	3	210782-007	10-1	1 13	214193-005
15-6	13	99859-005	10-9	1	200833-001	9-3	3	210782-009	4-11	25	214200-001
4-2	25	99999-001	11-8	5	200841-001	9-3	3	210783-001	4-11	23	214202-001
6-2	10	99999-001	2-12	5	200867-007	9-3	4	210783-003	8-7	7	214242-001
2-2	17	100351-001	10-9	4	200914-001	9-3	4	210783-005	8-8	3	214360-001
7-2	19	100849-001	11-8	13	200925-001	9-3	4	210783-007	14-5	1	215170-003
8-11	9	100852-001	8-10	13	201482-001	9-3	4	210783-009	14-5	8	215170-011
5-7	6	100873-001	6-9	13	201666-007	9-3	5	210784-001	8-1	2	215200-001
5-6	7	101507-001	6-9	14	201666-009	9-3	4	210785-001	10-1	1 17	215258-001
5-7	8	101507-001	6-9	16	201666-013	1-9	9	211142-003	5-18	12	215325-011
4-3	27	101522-001	6-9	16	201666-015	5-11	2	211144-001	5-19	15	215325-015
6-3	7	102115-001	6-9	21	201666-017	1-6	10	212522-001	4-3	11	215343-001
2-8	17	102118-001	6-9	22	201666-019	7-2	7	212522-001	4-3	6	215344-001
2-9	3	102628-001	6-9	18	201666-021	8-1	25	212522-001	4-3	13	215347-001
3-8	8	102976-001	6-9	17	201666-023	4-10	10	212522-001	4-3	8	215348-001
5-15	8	102976-001	6-9	19	201666-025	5-20	2	212568-007	4-11	22	215350-001
2-11	16	102995-001	6-9	20	201666-027	5-20	8	212568-009	1-9	4	215584-001
2-2	10	102996-001	6-9	6	201666-029	5-20	9	212568-011	5-12	8	215602-001
2-1	2	103000-001	6-9	27	201666-035	5-20	10	212568-013	5-11	4	215799-001
2-2	3	103005-001	6-9	29	201666-039	5-20	13	212568-017	5-20		215799-001
2-2	2	103006-001	6-9	28	201666-041	5-20	14	212568-019	5-20	3	215799-003

<u>FIG. NO.</u>	<u>PART NO.</u>	<u>FIG. NO.</u>	<u>PART NO.</u>	<u>FIG. NO.</u>	<u>PART NO.</u>	<u>FIG. NO.</u>	<u>PART NO.</u>				
5-20	4	215799-005	10-9	219107-001	7-4	23	220741-053	3-6	222461-001		
5-20	5	215799-007	10-9	10	219107-003	7-4	24	220741-055	3-2	9	222462-001
5-20	7	215799-009	10-9	11	219107-005	7-4	72	220741-055	3-6	222462-001	
5-20	12	215799-011	10-9	12	219107-007	7-4	25	220741-057	3-6	36	222486-001
5-20	15	215799-013	10-9	6	219107-009	7-4	26	220741-059	5-18	2	223842-007
5-20	16	215799-015	10-9	7	219107-011	7-4	74	220741-059	5-18	3	223842-009
5-20		215799-017	10-9	9	219107-013	7-4	27	220741-061	2-13	1	223972-001
12-1		215938-001	10-9		219107-015	7-4	73	220741-061	2-13	3	223973-001
12-1	7	215938-003	14-5	6	219111-009	7-4	28	220741-063	14-5	2	223998-003
12-2	7	215938-003	11-8	8	219111-011	7-4	29	220741-065	6-7	4	224291-001
12-2		215939-001	14-5	7	219111-011	7-4	30	220741-067	3-8	18	224397-003
12-2		215940-001	3-6	27	219132-001	7-4	30	220741-069	7-4	72	224408-109
12-2	8	215940-003	3-6	28	219133-001	7-4	31	220741-071	7-4	73	224408-131
12-1	2	215941-001	8-2	13	219137-001	7-4	71	220741-071	4-13	3	224476-005
12-2	2	215941-001	8-2	3	219154-001	7-4	32	220741-073	4-13	2	224476-007
12-1	6	215942-001	8-12	1	219186-001	7-4	33	220741-075	4-13	2	224476-009
12-2	5	215942-001	8-12	2	219186-003	7-4	34	220741-077	3-6	11	224557-001
12-4		215942-001	2-3	1	220021-001	7-4	35	220741-079	2-1	4	224558-009
12-4	1	215942-003	2-3	6	220075-001	7-4	36	220741-081	14-2	21	224579-001
12-5	1	215942-003	2-3	4	220076-001	7-4	37	220741-083	14-2	6	224589-001
12-4	2	215942-005	8-9	14	220107-001	7-4	38	220741-085	14-5		224589-001
12-4	3	215942-007	2-1	1	220162-003	7-4	39	220741-087	14-5	10	224589-003
12-5	3	215942-007	2-1	3	220162-009	7-4	40	220741-089	14-5	11	224589-005
12-4	4	215942-009	2-2	7	220162-023	7-4	41	220741-091	14-5	12	224589-007
12-5	4	215942-009	2-2	6	220162-025	7-4	42	220741-093	14-5	5	224589-009
12-4	5	215942-011	2-1	7	220162-039	7-4	47	220741-107	14-5		224589-011
12-5	5	215942-011	2-4	7	220165-001	7-4	48	220741-109	7-4	43	224662-001
12-4	6	215942-013	2-1	7	220171-001	7-4	49	220741-111	7-4	70	224662-003
12-5	6	215942-013	8-9	11	220180-001	7-4	52	220741-113	7-4	66	224662-005
12-4	7	215942-015	2-4	10	220203-001	7-4	53	220741-115	7-4	69	224662-007
12-5	7	215942-015	8-12	6	220238-001	7-4	54	220741-117	7-4	45	224662-009
12-4	8	215942-017	4-11	9	220487-001	7-4	55	220741-119	7-4	68	224662-011
12-4	9	215942-019	4-11	5	220488-001	7-4	56	220741-121	7-4	67	224662-013
12-5	9	215942-019	4-11	17	220489-001	7-4	46	220741-123	7-4	57	224726-001
12-4	10	215942-021	4-11	11	220492-001	7-4	44	220741-125	7-4	58	224727-001
12-5	10	215942-021	4-11	6	220493-001	6-9	15	220749-003	10-2	11	224738-001
12-4	11	215942-023	2-2	8	220681-013	14-3	1	220927-001	2-8	16	224849-001
12-5	11	215942-023	2-1	7	220681-017	14-3	6	220938-001	5-16	3	224886-007
12-4	12	215942-025	2-1	7	220681-019	4-3	5	220965-001	5-21	2	224886-007
12-5	12	215942-025	2-1	7	220681-021	4-3	10	220966-001	5-22	4	224886-007
12-4	13	215942-027	2-1	7	220681-023	14-2	20	220992-001	5-23	7	224886-007
12-5	13	215942-027	2-1	2	220681-025	14-2	17	220993-001	6-12	4	224886-007
12-4	14	215942-029	2-1	1	220681-027	14-2	12	220998-001	7-4	60	224890-001
12-5	14	215942-029	2-1	3	220681-031	14-2	18	220999-001	7-4	61	224891-001
12-2	4	215943-001	4-9	8	220692-001	14-1	1	221503-001	7-4	62	224892-001
8-2	29	215991-001	4-9	9	220693-001	14-2	1	221503-001	7-4	63	224893-001
8-2	29	215992-001	7-4	1	220741-003	16-1	10	221503-001	7-4	59	224894-001
8-2	30	215992-001	7-4	2	220741-007	5-14	1	221503-001	4-11	16	224896-250
8-2	29	215993-001	7-4	3	220741-009	14-1	2	221504-001	4-11	4	224896-325
8-2	30	215993-001	7-4	4	220741-011	14-2	2	221504-001	4-15	1	224897-003
8-2	29	215994-001	7-4	5	220741-013	16-1	11	221504-001	4-16	1	224897-003
8-2	28	215995-001	7-4	6	220741-015	5-14	2	221504-001	4-15	2	224897-005
8-2	28	215996-001	7-4	7	220741-017	7-1	5	221511-001	4-16	2	224897-005
8-2	28	215997-001	7-4	8	220741-019	7-2	29	221512-001	4-15	23	224897-015
8-2	28	215998-001	7-4	9	220741-021	6-9		221557-003	4-16	23	224897-015
8-9	21	216293-001	7-4	9	220741-023	6-9	8	221557-007	4-15	24	224897-017
8-10	2	216293-001	7-4	10	220741-025	6-9	9	221557-009	4-16	24	224897-017
8-9	20	216295-001	7-4	11	220741-027	13-1	6	221643-001	7-2	1	224904-005
8-10	3	216295-001	7-4	12	220741-029	13-2	6	221643-001	7-4		224904-005
4-9	7	216461-001	7-4	13	220741-031	13-3	6	221643-001	4-3	25	224904-007
12-2		216871-001	7-4	14	220741-033	13-2	7	221658-001	7-2	24	224904-007
12-3		216871-001	7-4	15	220741-035	13-3	7	221658-001	7-2	5	224940-001
1-9	5	217033-001	7-4	16	220741-037	13-1	6	221806-001	7-2	6	224941-001
8-2	26	217231-001	7-4	17	220741-039	13-2	6	221806-001	5-3	4	224944-001
9-1	1	217967-001	7-4	18	220741-041	13-3	6	221806-001	7-4	65	224952-003
3-6	40	218249-003	7-4	19	220741-043	11-8	6	222440-009	7-4	64	224952-005
3-7	8	218249-003	7-4	20	220741-045	3-6	6	222458-001	2-2	15	224953-001
5-18	7	218496-007	7-4	21	220741-047	3-6	6	222459-001	5-13	6	224977-001
10-6	1	219107-001	7-4	22	220741-049	3-2	9	222461-001	5-19		224977-001

(PAGE 6) D24X40A NAVIGATOR INDEX

<u>FIG. NO.</u>	<u>PART NO.</u>	<u>FIG. NO.</u>	<u>PART NO.</u>	<u>FIG. NO.</u>	<u>PART NO.</u>	<u>FIG. NO.</u>	<u>PART NO.</u>				
5-19	5	224977-003	6-11	4	228096-011	11-7	228165-001				
5-19	7	224977-005	6-11	4	228096-013	11-7	1	228165-003	4-9	1	230806-001
5-19	9	224977-007	6-3	2	228098-003	11-7	2	228165-005	4-3	25	230813-001
5-19	10	224977-009	6-9		228098-003	11-7	3	228165-007	7-2	24	230813-001
9-3	4	224979-001	7-4	1	228098-005	11-7	4	228165-009	8-2	27	230814-001
9-3	4	224990-001	7-4	47	228098-009	11-7	5	228165-011	11-3	11	230814-001
9-3	4	224991-001	7-4	47	228098-011	11-7	6	228165-013	1-7	5	230823-001
14-1	11	225016-001	7-4	49	228098-013	11-7	7	228165-015	4-10	7	230839-001
14-1	16	225019-001	7-4	50	228098-015	11-7	9	228165-017	3-3	16	230840-001
14-2	11	225038-001	7-4	54	228098-017	11-7	10	228165-019	3-3	16	230840-003
3-6	13	225070-001	7-4	54	228098-019	11-7	11	228165-021	3-3	16	230840-005
3-6	24	225071-001	7-4	21	228098-021	11-7		228165-023	3-3	22	230840-005
3-6	16	225074-001	7-4	46	228098-023	8-1	24	228176-001	3-3	16	230840-007
3-6	12	225075-001	7-4	21	228098-025	5-22	6	228179-003	3-3	22	230840-007
3-6	23	225076-001	7-4	46	228098-025	5-22	6	228179-005	3-3	22	230841-001
3-6	26	225098-001	3-8	1	228113-003	4-11	28	228180-001	3-3	22	230841-003
3-6	35	225099-001	5-15	1	228113-003	4-11	27	228181-001	1-10	2	230858-001
3-6	5	225103-001	3-8	2	228113-005	4-11	18	228223-001	3-6	1	230859-001
3-6	15	225105-001	3-11		228113-005	6-2	5	228251-001	3-7		230859-001
3-6	25	225106-001	5-15	2	228113-005	6-10		228251-001	10-2	2	230863-001
3-6	31	225107-001	3-11	10	228113-007	6-10	1	228251-003	3-3	14	230888-001
3-6	33	225110-001	4-6	2	228114-001	6-10	1	228252-003	3-3	1	230894-001
3-6	21	225111-001	4-12		228114-001	6-10	1	228266-003	3-2	6	230897-001
3-6	37	225113-001	4-12	1	228114-003	2-4	6	228267-001	3-2	18	230897-003
1-6	3	225150-001	4-12	2	228114-005	2-4	13	228271-001	3-3	17	230904-001
5-13	12	225152-001	4-12	2	228114-007	2-6	3	228299-001	3-3	13	230905-001
4-3	22	225167-001	4-12	3	228114-009	2-6	10	228308-001	3-3	11	230906-001
4-17	4	225187-003	4-12	4	228114-011	8-1	21	228333-001	3-3	7	230907-001
6-2	9	225188-001	4-2	1	228116-001	8-1	15	228351-001	3-2	5	230923-001
3-5	1	225190-001	4-17		228116-001	8-1	13	228354-001	3-3	5	230923-001
4-8	1	225192-001	8-9	8	228118-001	8-9	18	228361-001	1-8	3	230925-001
4-14		225192-001	5-23	1	228124-003	8-9	1	228364-001	1-8	14	230944-001
4-14	6	225192-003	5-23	1	228124-005	2-6	1	228366-001	4-9	10	230945-001
4-14	10	225192-005	5-23	4	228124-007	2-6	2	228373-001	10-1	0	230958-001
4-14	11	225192-007	5-23	5	228124-009	8-2	23	228389-001	10-1	0	230958-001
4-7	7	225193-001	5-23	5	228124-011	8-9	4	228398-001	10-7	1	230958-001
4-10	3	225194-001	5-23	6	228124-013	8-8	7	228399-001	10-1	0 4	230958-003
4-10	2	225200-001	5-23	6	228124-015	8-8	11	228400-001	10-1	0 5	230958-005
10-2	12	225210-001	5-23	2	228124-017	8-10	5	228403-001	10-1	0 6	230958-007
2-8	13	225532-005	6-12	1	228124-017	8-10	1	228406-001	10-1	0 7	230958-009
14-3	5	226019-001	5-21	1	228128-003	8-9	22	228407-001	10-1	0 8	230958-011
13-2	9	226195-001	5-21	4	228128-005	8-9	13	228412-001	10-1	0 9	230958-013
13-3	9	226195-001	5-22	8	228128-007	8-11	2	228421-001	10-1	0 10	230958-015
13-2	6	226197-001	5-21	4	228128-009	8-10	11	228494-001	10-1	0 11	230958-017
13-3	6	226197-001	5-21	8	228128-009	8-10	12	228495-001	10-1	0 12	230958-019
13-2	6	226199-001	5-22	7	228128-009	14-1	14	228504-001	10-1	0	230958-021
13-3	6	226199-001	5-21	6	228128-011	14-3	10	228504-001	8-7	26	230960-001
13-2	6	226200-001	5-21	7	228128-013	14-3	11	228505-001	10-2	6	230960-001
13-3	6	226200-001	5-21	7	228128-015	14-3	7	228506-001	1-8	9	230961-001
8-2	30	226209-001	6-11	5	228128-015	14-1	15	228509-001	1-9	18	230962-001
2-2	16	227965-001	5-21	8	228128-017	14-1	9	228511-001	8-3	2	230964-001
11-5	1	228021-001	5-22	2	228129-003	14-1	7	228514-001	2-11	6	230965-001
11-8		228021-001	5-22	9	228129-007	14-4		228514-001	16-1	1	230970-001
11-8	10	228021-003	4-11	26	228131-001	14-4	7	228514-003	16-2		230970-001
11-8	11	228021-005	4-5	6	228132-001	14-1	10	228516-001	16-2	1	230970-003
11-8	12	228021-007	4-13		228132-001	14-1	22	228524-001	16-2	2	230970-005
11-8		228021-009	4-13	1	228132-003	14-1	19	228526-001	16-2	3	230970-007
11-2	2	228030-001	10-2	13	228137-001	14-1	20	228529-001	16-2	4	230970-009
11-2	2	228036-001	10-2	10	228145-001	14-3	9	228533-001	16-2	5	230970-011
11-5	3	228037-001	10-2	14	228146-001	14-3	4	228537-001	16-2	6	230970-013
11-3	1	228051-001	10-2	28	228147-001	14-3	8	228547-001	16-2	7	230970-015
11-6	2	228058-001	10-2	15	228148-001	14-3	13	228550-001	16-2	8	230970-017
11-5	5	228061-001	10-2	17	228150-001	14-3	12	228551-001	16-2	9	230970-019
11-2	7	228064-001	10-2	18	228151-001	4-3	28	229131-001	16-2	10	230970-021
10-4	1	228066-001	10-2	16	228152-001	9-2	2	229285-001	16-1	2	230972-001
11-2	23	228066-001	10-2	23	228153-001	6-5	9	229396-001	16-1	2	230974-001
11-4	8	228090-001	4-11	12	228158-001	5-18	14	229414-007	16-1	6	230977-001
6-11	2	228096-005	3-2	7	228161-001	5-18	1	230011-003	16-3		230977-001
6-11	2	228096-007	11-6	1	228165-001	3-7	1	230588-003	11-7	8	230977-003

<u>FIG. NO.</u>	<u>PART NO.</u>	<u>FIG. NO.</u>	<u>PART NO.</u>	<u>FIG. NO.</u>	<u>PART NO.</u>	<u>FIG. NO.</u>	<u>PART NO.</u>				
16-3	1	230977-003	2-1	8	234218-005	10-2	3	235713-001	6-2	8	235721-001
16-3	2	230977-005	2-1	9	234218-007	10-3	15	235713-001	10-3	17	235722-001
16-3	3	230977-007	2-1	10	234218-009	10-4	9	235713-001	10-4	29	235722-001
16-3	4	230977-009	2-1	10	234218-011	10-8	4	235713-001	1-5	8	235723-001
16-3	7	230977-011	2-2	5	234218-013	11-2	19	235713-001	4-8	2	235723-001
16-3	8	230977-013	2-2	5	234218-015	11-3	8	235713-001	8-1	16	235723-001
16-3	9	230977-015	2-2	5	234218-017	11-4	10	235713-001	4-3	2	235724-001
16-3	10	230977-017	2-2	8	234218-019	15-4	18	235713-001	1-5	4	235725-001
16-3	11	230977-019	2-2	9	234218-021	2-10	10	235713-001	2-6	6	235725-001
16-3	12	230977-021	2-2	9	234218-023	2-11	12	235713-001	2-7	8	235725-001
16-3		230977-023	2-2	12	234218-025	4-10	11	235713-001	2-8	11	235725-001
4-9	11	230980-001	2-2	13	234218-027	4-11	29	235713-001	2-9	10	235725-001
10-2	19	230999-001	2-2	13	234218-029	8-14	11	235713-001	4-6	1	235725-001
12-2	6	231109-001	4-14	1	234256-003	1-6	15	235714-001	4-7	8	235725-001
12-3	4	231109-001	4-14	2	234256-005	2-2	24	235714-001	4-8	4	235725-001
12-3	5	231109-003	4-14	3	234256-007	3-4	14	235714-001	5-3	13	235725-001
12-3	2	231109-005	4-14	4	234256-009	5-6	11	235714-001	5-5	23	235725-001
12-3	3	231109-007	4-14	5	234256-011	5-7	17	235714-001	6-5	7	235725-001
12-5		231110-001	4-14	7	234256-015	5-8	3	235714-001	8-1	17	235725-001
12-5	2	231110-003	4-14	8	234256-017	7-2	10	235714-001	8-9	15	235725-001
12-5	8	231110-005	4-14	9	234256-019	7-3	12	235714-001	9-1	7	235725-001
12-2		231111-001	8-11	3	234343-001	8-7	6	235714-001	9-2	13	235725-001
12-2	11	231111-001	6-7	7	234359-001	8-8	2	235714-001	10-2	29	235725-001
12-2	10	231111-003	6-8		234359-001	9-1	18	235714-001	10-4	4	235725-001
12-3		231113-001	6-8	1	234359-003	11-4	3	235714-001	11-2	10	235725-001
12-2		231197-001	6-8	2	234359-005	15-3	13	235714-001	15-4	19	235725-001
12-2	3	231197-003	6-8	6	234359-007	15-4	15	235714-001	2-10	11	235725-001
13-1		231212-001	6-8	7	234359-009	5-10	9	235714-001	8-14	6	235725-001
13-2		231218-001	6-8	8	234359-011	5-13	10	235714-001	1-6	9	235726-001
13-3		231219-001	6-8	9	234359-013	8-12	8	235714-001	2-6	5	235726-001
13-3		231220-001	6-8	10	234359-015	2-4	5	235715-001	2-7	6	235726-001
13-2		231221-001	6-8	11	234359-017	15-2	31	235715-001	2-9	9	235726-001
13-3		231222-001	6-8		234359-019	5-11	10	235715-001	3-6	4	235726-001
13-3		231223-001	7-7	4	234818-001	2-5	12	235716-001	5-3	1	235726-001
13-4	1	231224-001	6-12	2	234863-005	2-6	21	235716-001	6-6	2	235726-001
13-4	2	231228-001	17-1	8	234942-001	2-7	12	235716-001	8-1	12	235726-001
8-2	12	231248-001	17-1	6	234943-001	2-8	25	235716-001	10-2	4	235726-001
10-4	27	231973-020	16-1	4	234966-001	3-5	2	235716-001	10-4	2	235726-001
13-1	2	231990-001	16-1	3	234967-001	4-5	7	235716-001	11-2	24	235726-001
13-2	2	231990-001	17-1	12	234976-001	5-8	15	235716-001	11-4	7	235726-001
13-3	2	231990-001	3-6	22	235269-001	6-4	2	235716-001	2-11	3	235726-001
13-1	3	231991-001	17-1	17	235296-001	7-3	11	235716-001	4-10	1	235726-001
13-2	3	231992-001	17-1	1	235298-001	8-1	22	235716-001	2-5	7	235727-001
13-2	8	231993-001	17-1	16	235301-001	9-1	4	235716-001	2-7	7	235727-001
13-2	8	231994-001	11-3	2	235313-001	10-5	6	235716-001	2-8	23	235727-001
13-3	3	231995-001	10-2	31	235320-001	15-4	10	235716-001	5-5	12	235727-001
13-3	3	231996-001	1-5	1	235352-003	2-13	6	235716-001	8-1	31	235727-001
13-3	8	231997-001	8-12	3	235683-001	4-10	12	235716-001	9-1	17	235727-001
13-3	8	231998-001	1-5	7	235713-001	5-11	15	235716-001	9-2	11	235727-001
13-3	8	231999-001	1-6	13	235713-001	8-13	2	235716-001	1-10	1	235727-001
10-5	13	232124-045	2-5	11	235713-001	8-14	12	235716-001	10-8	3	235727-001
10-6	4	232124-045	2-6	20	235713-001	3-2	2	235717-001	11-2	9	235727-001
8-11	6	232124-071	2-7	10	235713-001	3-3	27	235717-001	15-4	16	235727-001
15-6	2	232422-005	2-8	24	235713-001	4-3	19	235717-001	2-10	9	235727-001
15-6	3	232422-007	2-9	11	235713-001	8-1	19	235717-001	4-11	10	235727-001
15-6	4	232422-009	3-6	9	235713-001	10-4	22	235717-001	8-14	5	235727-001
15-6	5	232422-011	4-6	8	235713-001	11-2	17	235717-001	1-6	2	235729-001
15-6	6	232422-013	4-7	11	235713-001	11-3	5	235717-001	1-7	6	235729-001
15-6	7	232422-015	4-8	3	235713-001	3-2	10	235718-001	1-8	4	235729-001
15-6	9	232422-019	5-3	11	235713-001	8-4	8	235718-001	1-9	12	235729-001
15-6	10	232422-021	5-5	25	235713-001	10-4	7	235718-001	8-1	7	235729-001
15-6	11	232422-023	6-5	5	235713-001	15-2	17	235718-001	1-10	13	235729-001
15-6	12	232422-025	6-6	6	235713-001	2-11	10	235718-001	1-11	13	235729-001
15-6	14	232422-027	7-2	21	235713-001	11-2	21	235720-001	10-4	33	235729-001
15-2	3	232482-001	8-1	32	235713-001	3-2	13	235721-001	11-2	14	235729-001
15-2	15	232484-001	8-9	16	235713-001	3-3	9	235721-001	11-5	4	235729-001
9-1	14	234164-001	9-1	19	235713-001	3-3	24	235721-001	11-6	3	235729-001
9-1	2	234167-001	9-2	12	235713-001	4-2	5	235721-001	5-11	1	235729-001
2-1	1	234218-003	1-10	14	235713-001	5-3	14	235721-001	5-12	7	235729-001

(PAGE 8) D24X40A NAVIGATOR INDEX

<u>FIG. NO.</u>	<u>PART NO.</u>	<u>FIG. NO.</u>	<u>PART NO.</u>	<u>FIG. NO.</u>	<u>PART NO.</u>	<u>FIG. NO.</u>	<u>PART NO.</u>				
5-13	13	235729-001	4-16	7	235790-003	8-3	3	235975-001	5-18	8	236423-005
5-11	11	235730-001	4-15	8	235790-005	4-10	8	235981-001	5-18	9	236423-007
2-4	9	235731-001	4-16	8	235790-005	3-4	8	235992-001	5-18	10	236423-009
3-2	12	235731-001	4-15	9	235790-007	3-5	9	235992-001	5-18		236423-011
3-3	25	235731-001	4-16	9	235790-007	3-4	13	235993-001	8-2	17	236435-001
5-3	16	235731-001	4-15	13	235790-009	3-5	17	235993-001	10-5	2	236439-001
7-2	16	235731-001	4-16	13	235790-009	3-4	7	235994-001	3-5	16	236449-001
8-4	9	235731-001	4-15	14	235790-011	3-5	18	235994-001	5-8	5	236449-001
10-2	8	235731-001	4-16	14	235790-011	3-4	10	235995-001	8-13	7	236452-001
10-4	10	235731-001	4-15	15	235790-013	3-5	8	235995-001	5-10	1	236454-001
15-2	5	235731-001	4-16	15	235790-013	3-5	11	235997-001	5-11	9	236454-001
2-11	13	235731-001	4-15	16	235790-015	3-4	9	235998-001	5-10	2	236455-001
2-5	2	235732-001	4-16	16	235790-015	3-5	10	235998-001	5-11	13	236455-001
2-6	8	235732-001	4-15	17	235790-017	10-4	24	236080-001	3-4	1	236457-001
2-7	14	235732-001	4-16	17	235790-017	10-4	25	236081-001	3-8		236457-001
7-3	6	235732-001	4-15	18	235790-019	10-4	20	236120-001	5-6	1	236457-001
8-1	10	235732-001	4-16	18	235790-019	10-3	6	236147-003	3-8	23	236457-003
9-1	5	235732-001	4-15	19	235790-021	10-3	13	236156-001	5-7	2	236458-001
15-4	11	235732-001	4-16	19	235790-021	10-4	11	236183-001	5-15		236458-001
2-13	7	235732-001	4-15	20	235790-023	10-4	21	236189-001	5-15	18	236458-003
5-11	7	235732-001	4-16	20	235790-023	10-3	14	236192-001	5-15	22	236458-005
8-13	1	235732-001	4-11	2	235791-001	10-3	11	236193-001	10-4	14	236460-001
8-14	8	235732-001	4-16		235791-001	15-2	27	236200-001	10-4	18	236462-001
8-1	14	235733-001	4-4	6	235792-001	15-2	11	236205-001	10-4	6	236463-001
2-5	5	235734-001	4-5	10	235792-001	15-2	2	236210-001	7-3	1	236466-001
2-6	7	235734-001	4-4	9	235793-001	15-2	9	236219-001	7-3	2	236466-003
2-7	11	235734-001	4-5	12	235793-001	15-5		236219-001	7-3	4	236466-005
2-8	5	235734-001	4-4	3	235794-001	15-5		236219-003	7-3	5	236466-007
7-3	3	235734-001	4-5	11	235794-001	15-5	30	236219-005	3-3	26	236468-001
9-1	3	235734-001	4-4	11	235795-001	15-5	11	236219-007	3-3	19	236469-001
8-13	3	235734-001	4-5	16	235795-001	15-5	12	236219-009	7-3	8	236471-001
8-14	7	235734-001	4-4	8	235797-001	15-5	13	236219-011	7-2	4	236472-001
1-5	2	235736-001	4-5	14	235797-001	15-5	14	236219-013	8-2	1	236473-001
3-6	8	235736-001	4-4	5	235798-001	15-5	15	236219-015	6-5	3	236494-001
5-3	12	235736-001	4-5	17	235798-001	15-5	16	236219-017	6-11		236494-001
9-1	6	235736-001	4-4	10	235799-001	15-5	17	236219-019	6-11	1	236494-003
10-4	3	235736-001	4-5	19	235799-001	15-5	18	236219-021	6-11	6	236494-005
2-10	6	235736-001	5-5	24	235805-001	15-5	19	236219-023	6-11	6	236494-007
9-2	4	235737-001	5-3	6	235808-001	15-5	20	236219-025	5-8	14	236495-001
10-3	4	235737-001	1-10	5	235828-003	15-5	21	236219-027	1-11	14	236499-001
1-10	7	235738-001	1-7	7	235829-001	15-5	22	236219-029	4-2	19	238094-001
10-3	19	235738-001	1-9	11	235829-001	15-5	23	236219-031	5-5	11	238094-001
3-3	6	235739-001	1-10	11	235833-003	15-5	24	236219-033	6-2	11	238094-001
1-10	6	235739-001	1-10	8	235849-001	15-5	25	236219-035	1-11		238181-001
8-12	5	235740-001	8-4	7	235860-001	15-5	26	236219-037	1-11	2	238181-003
1-6	12	235741-001	8-4	1	235862-001	15-5	28	236219-039	1-11	3	238181-005
3-4	11	235741-001	8-4	4	235863-001	15-5	29	236219-041	1-11	5	238181-007
5-6	3	235741-001	8-4	3	235864-001	10-4	23	236224-001	1-11	6	238181-009
5-7	1	235741-001	8-4	6	235866-001	10-4	26	236225-001	1-11	7	238181-011
7-2	11	235741-001	8-4	2	235868-001	10-4	12	236228-001	1-11	8	238181-013
7-3	9	235741-001	8-4	11	235869-001	15-2	12	236229-001	1-11	9	238181-015
8-7	3	235741-001	16-1	2	235870-001	15-2	14	236230-001	1-11	10	238181-017
8-8	1	235741-001	3-6	39	235873-001	15-2	29	236232-001	1-11	11	238181-019
9-1	11	235741-001	8-4	10	235878-001	15-2	28	236233-001	1-11	12	238181-021
15-3	4	235741-001	3-3	23	235888-001	5-22	5	236316-005	1-6	6	238209-001
15-4	8	235741-001	3-3	3	235894-003	8-1	11	236397-001	2-2	21	238209-001
5-10	5	235741-001	2-11	5	235899-001	15-4	6	236402-001	7-2	9	238209-001
8-12	4	235741-001	2-11	4	235909-001	15-4	2	236406-001	8-7	2	238209-001
4-6	5	235744-001	11-3	6	235915-003	15-7		236406-001	15-4	7	238209-001
11-2	18	235746-001	15-2	1	235916-001	15-7	1	236406-003	4-10	4	238210-001
2-6	22	235748-001	11-3	10	235923-001	15-7	2	236406-005	10-2	20	238211-001
1-6	8	235759-001	11-2	25	235929-001	15-7		236406-007	5-13	9	238211-001
7-1		235777-001	8-1	8	235934-003	6-12	2	236409-003	3-4	12	238212-001
4-3	1	235779-001	2-11	17	235944-001	8-2	7	236411-001	5-6	2	238212-001
4-11	21	235787-001	1-5	5	235959-001	8-1	1	236414-001	5-7	3	238212-001
4-11	13	235788-001	1-5	3	235960-001	2-11	1	236422-001	5-8	2	238212-001
4-11	1	235790-001	7-1	6	235967-001	5-12	3	236423-001	11-4	4	238212-001
4-15		235790-001	3-3	21	235969-001	5-18		236423-001	5-12	4	238212-001
4-15	7	235790-003	3-3	20	235970-001	5-18	5	236423-003	5-13	2	238212-001

242 703 - 01

<u>FIG. NO.</u>	<u>PART NO.</u>	<u>FIG. NO.</u>	<u>PART NO.</u>	<u>FIG. NO.</u>	<u>PART NO.</u>	<u>FIG. NO.</u>	<u>PART NO.</u>				
3-6	38	238214-001	2-11	18	240334-001	5-23	240943-001				
3-3	15	238215-001	10-4	32	240340-001	5-9	1	240944-001	7-5	4	245079-009
3-3	10	238216-001	8-11	8	240391-001	5-16	240944-001	7-5	5	245079-011	
7-2	14	238240-001	8-9	17	240454-001	6-4	1	240945-001	7-5	6	245079-013
7-2	15	238241-001	16-1	13	240546-001	6-12	240945-001	7-5	7	245079-015	
2-11	15	238241-001	17-1	10	240560-001	1-6	5	240958-001	7-5	8	245079-017
8-1	20	238242-001	17-1	11	240636-001	5-16	5	240983-001	7-5	9	245079-019
5-8	11	238243-001	17-1	4	240637-001	5-21	3	240983-001	7-5	10	245079-021
10-5	7	238243-001	17-1	14	240639-001	7-4	47	241000-001	7-5	11	245079-023
15-2	4	238244-001	17-1	18	240641-001	2-4	4	241065-001	7-5	12	245079-025
15-2	10	238245-001	17-1	5	240654-001	15-2	26	241065-001	7-5	13	245079-027
4-6	6	238246-001	17-1	9	240656-001	10-3	18	241524-001	7-5	14	245079-029
2-4	3	238249-001	17-1	3	240658-001	11-2	1	243025-003	7-5	15	245079-031
5-5	6	238249-001	17-1	13	240659-001	8-6	3	243211-001	7-5	16	245079-033
8-7	25	238249-001	17-1	15	240660-001	8-6	1	243212-001	7-5	17	245079-035
2-11	20	238249-001	17-1	2	240661-001	8-6	2	243213-001	7-5	18	245079-037
5-5	21	238514-001	2-2	20	240756-001	8-5	17	243214-001	7-5		245079-039
2-8	3	238564-001	8-3	4	240758-001	8-2	18	243215-001	8-2	40	245090-001
6-6	1	238572-001	2-10	12	240759-001	8-5	21	243215-001	5-10	6	248013-001
5-3	5	238594-001	10-2	33	240770-001	8-6	4	243216-001	10-2	30	248029-001
6-2	12	238599-001	9-1	16	240791-001	8-6	5	243217-001	9-1	8	248030-001
2-8	14	238600-001	2-10	1	240802-001	10-4	35	243232-001	10-2	22	248030-001
2-8	8	238601-001	2-10	7	240803-001	10-4	36	243233-001	15-3	3	248031-001
2-10	4	238602-001	2-8	2	240804-001	8-7	19	243776-001	7-4	23	248821-001
2-6	14	238610-001	2-5	4	240807-001	6-4	3	244102-001	7-4	71	248822-001
2-5	1	238612-001	2-5	3	240809-001	7-3	10	244251-001	7-4	74	248823-001
2-7	4	238614-001	2-9	2	240810-001	2-2	22	244254-001	8-5	19	249006-001
2-4	1	238616-001	2-10	8	240814-001	4-5	18	244283-001	1-6	7	249025-001
2-6	18	238624-001	4-11		240816-001	7-3	16	244288-001	10-5	12	249042-001
2-10	5	238625-001	1-8	15	240818-001	11-3	13	244678-001	10-7	8	249042-001
2-6	16	238627-001	4-3	17	240818-001	12-2	12	244935-001	11-3	3	249081-001
2-6	15	238628-001	1-8	17	240819-001	8-2	41	244949-001	11-2	28	249153-001
2-5	9	238629-001	4-3	20	240840-001	8-14	10	245002-001	11-2	22	249161-001
2-8	12	238636-001	4-11	7	240850-001	8-14	4	245003-001	8-7	4	249810-001
2-8	9	238640-001	11-2	15	240854-001	8-14	3	245004-001	3-5	3	250008-001
2-10	3	238641-001	4-2	20	240859-001	8-14	9	245006-001	2-4	8	250500-001
8-5	1	238646-001	4-3	12	240863-001	6-7	11	245007-001	8-7	24	250501-001
2-8	21	238655-001	4-3	4	240864-001	11-5	8	245007-001	2-11	19	250501-001
2-8	20	238656-001	4-3	9	240865-001	1-8	11	245009-001	15-3	2	250503-001
8-7	17	238689-001	4-3	7	240866-001	4-3	24	245009-001	15-2	8	250505-001
8-7	11	238690-001	11-2	26	240877-001	2-7	5	245014-001	4-2	17	250507-001
8-7	23	238691-001	11-2	27	240878-001	8-8	8	245015-001	7-2	30	250508-001
8-7	12	238703-001	8-8	4	240880-001	2-7	1	245019-001	10-4	13	250510-001
8-7	16	238704-001	5-5	1	240883-001	2-7	9	245039-001	8-7	18	250511-001
8-7	10	238717-001	11-2	3	240885-003	10-2	35	245040-001	9-2	6	250512-001
15-2	7	238717-001	11-2	8	240898-001	10-8	8	245041-001	2-4	2	250516-001
13-3	8	238750-001	5-6	9	240900-001	10-2	38	245044-001	5-5	7	250516-001
13-4	3	238751-001	5-9	3	240900-001	10-2	39	245045-001	2-3	2	250518-001
13-4	4	238752-001	5-7	14	240901-001	10-2	1	245050-001	7-7	1	250531-001
12-2		238762-001	5-13	11	240901-001	15-2	23	245057-001	15-4	9	250531-001
12-3		238762-001	11-6	4	240907-001	2-6	17	245059-001	4-2	16	250540-001
12-2		238763-001	11-2	4	240908-001	5-3	8	245059-001	2-13	4	250543-001
12-3		238763-001	11-2	13	240909-003	15-2	16	245060-001	2-13	11	250545-001
8-9	3	238889-001	11-2	5	240910-003	15-6		245060-001	2-13	5	250606-001
3-3	29	238892-001	11-2	6	240916-003	15-6	1	245060-003	10-4	16	251270-003
8-1	26	240020-001	11-2	12	240917-001	15-6	8	245060-005	10-4	19	251278-001
8-1	28	240033-001	11-2	11	240918-001	15-6		245060-007	7-4	23	251787-001
1-11	15	240038-001	5-8	1	240941-001	6-7	2	245061-001	6-11	5	500659-021
9-1	15	240056-001	11-4	1	240941-001	2-7	13	245063-001	4-2	7	600118-001
2-3	3	240061-001	5-21		240941-001	10-2	36	245072-001	10-7	4	600118-001
8-9	2	240061-001	5-21	5	240941-003	10-8	9	245072-001	5-13	4	600118-001
8-1	27	240094-001	5-23	3	240941-003	7-2	20	245074-001	11-6	7	601696-010
10-2	21	240333-001	6-12	3	240941-003	8-7	13	245077-001	10-1	1	900028-003
5-12	5	240333-001	5-8	10	240942-001	7-2	13	245079-001	10-1	1	900028-013
5-13	1	240333-001	10-5	5	240942-001	7-5		245079-001	10-1	1	900028-021
2-4	12	240334-001	5-22		240942-001	6-7	13	245079-003	9-1	10	900035-005
4-9	2	240334-001	5-22	5	240942-003	7-5	1	245079-003	15-3	11	900035-005
6-7	1	240334-001	5-22	7	240942-005	7-5	2	245079-005	1-1		901228-069
10-3	7	240334-001	5-10	4	240943-001	7-5	3	245079-007	1-2		901228-070

<u>FIG. NO.</u>		<u>PART NO.</u>
2-9	6	901498-001
2-12		901498-001
2-12	3	901498-003
2-12	1	901498-005
2-12	4	901498-007
2-12	6	901498-009
2-9	5	901499-001
2-9	8	901500-001
4-13	5	901562-011
8-5	2	902402-001
10-6	5	902445-001
10-7	2	902445-001
4-10	6	903135-003
4-10	5	903135-005
8-8	5	903884-001
7-3	7	904062-005
8-2	10	904346-001
9-1	12	904355-001
8-8	9	904365-001
8-2	30	904423-001
4-9	5	904508-001
5-16	2	904525-005
5-16	1	904525-007
5-16	1	904525-009
5-16	2	904525-009
5-16	4	904525-013
8-11	1	904537-001
9-3	1	904541-001
9-2	1	904546-001
8-7	1	904548-001
8-7	22	904562-001
7-1	1	904576-001
7-1	2	904577-001
7-1	3	904578-001
9-2	3	904731-001
2-6	12	904815-001
4-2	18	904818-001
7-6	1	904882-001
8-2	10	904995-001
8-2	10	905001-001
4-9	4	905011-001
4-9	4	905012-001
7-6	2	905216-001
14-2	16	905341-001
7-3	14	905437-001