

# NOTICE

The information contained is for **DEALER REFERENCE PURPOSES ONLY**.  
MANUALS ARE MODEL AND SERIAL NUMBER SPECIFIC.

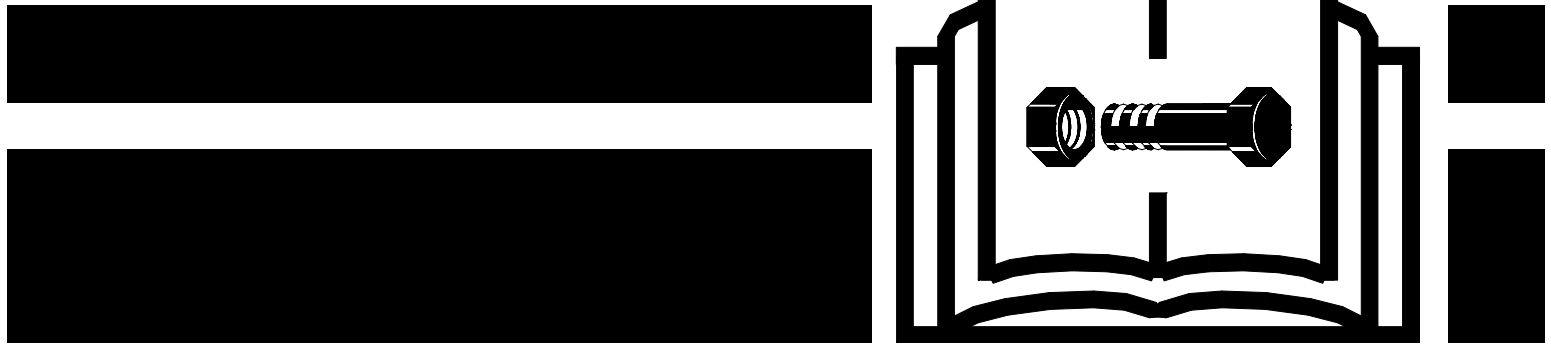
If additional printed manuals are required for your shop/office location, order by part number through the factory's Parts Center.

If a retail customer needs replacement manual(s) for a specific unit, contact the factory's Customer Data Center at: 800-829-0051 or  
[customerdata@vermeermfg.com](mailto:customerdata@vermeermfg.com)

This page intentionally left blank.

# Vermeer®

*D7X11 Series II Navigator®  
Horizontal Directional Drill*



## Parts Manual

P1.14  
SERIAL NO. 736-  
ORDER NO. 105400ZEF

## HOW TO USE THE MANUAL

This manual contains illustrations and parts lists of components and assemblies which make up the machine. Each page consists of the name of the assembly or component, a figure number, reference numbers, part numbers, part names, and the quantities of the parts used.

Assembly or component name helps identify the illustration and parts list for each figure. This name also helps locate the general area of the machine where the assembly or component can be located.

Figure numbers are used to identify each assembly or component and to group these assemblies or components into major categories.

Reference numbers shown in a column refer to the numbered parts in the illustration. This ties the part in the illustration to the part number and description in the parts list.

An asterisk indicates information about the item has changed since the previous release of the parts manual. A note in the Remarks column often explains the change.

Part numbers are used to identify individual parts or part assemblies.

Part descriptions provide the name of the part, plus additional information such as dimensional specifications and what parts are grouped together to form part assemblies, which helps you identify the part(s).

Quantities listed for each figure are only for that assembly or component and not the total used per machine.

This parts manual is not intended to be a complete guide for machine service or repairs. Contact your Vermeer dealer for any of your service or technical requirements.

## ORDERING PARTS

Parts for repair or replacement are available through our network of authorized dealers located throughout the world.

Use only authorized Vermeer parts for repair or replacement. Always give the serial number and

model number of the machine for which parts are being ordered. When ordering parts for component(s), which are not manufactured by Vermeer Manufacturing, also give the serial number of that component(s). Order all parts by part number, part name, and quantity needed.

## UPDATING AND REORDERING MANUALS

The parts lists, illustrations, and specifications in this manual are based on the latest information available at time of publication. Your machine may have product improvements and options not yet contained in this manual.

Vermeer Manufacturing Company reserves the right to make changes at any time without notice or obligation to you.

Your dealer will receive notice of these changes and can assist you with accurate parts identification when ordering.

A copy of this manual is supplied with each machine. Additional copies are available through your dealer. When ordering additional manuals, use the reorder number listed on the front cover and the quantity needed.

No part of this manual may be reproduced in any form or by any means, electronic or mechanical, including photocopying, recording, or by any information storage and retrieval systems, without the express written consent of Vermeer Manufacturing Company.

**Copyright © 2004-2007 Vermeer Mfg. Co.**  
**All rights reserved.**  
**Vermeer Manufacturing Company**  
**1210 Vermeer Road East, P.O. Box 200**  
**Pella, Iowa 50219-0200, USA+**

**Decal/Literature Assemblies-Section 1**

Decals - Domestic (S/N 710-) . . . . . Fig 1-1r04  
 Decals - Domestic (S/N 647-709) . . . . . Fig 1-1r03  
 Decals - Domestic . . . . . Fig 1-1r02  
 Decals - Domestic . . . . . Fig 1-1r01  
 Decals - Domestic . . . . . Fig 1-1  
 Decals - Domestic . . . . . Fig 1-2r02  
 Decals - Domestic . . . . . Fig 1-2r01  
 Decals - Domestic . . . . . Fig 1-2  
 Decals - Domestic . . . . . Fig 1-3  
 Decals - Domestic . . . . . Fig 1-4  
 Decals - Domestic . . . . . Fig 1-5  
 Decals - International (S/N 710-) . . . . . Fig 1-6r03  
 Decals - International . . . . . Fig 1-6r02  
 Decals - International . . . . . Fig 1-6r01  
 Decals - International . . . . . Fig 1-6  
 Decals - International . . . . . Fig 1-7r02  
 Decals - International . . . . . Fig 1-7r01  
 Decals - International . . . . . Fig 1-7  
 Decals - International . . . . . Fig 1-8r01  
 Decals - International . . . . . Fig 1-8  
 Decals - International . . . . . Fig 1-9  
 Decals - International . . . . . Fig 1-10  
 Literature Box/Seat (S/N 589-) . . . . . Fig 1-11r04  
 Literature Box/Seat . . . . . Fig 1-11r03  
 Literature Box/Seat . . . . . Fig 1-11r02  
 Literature Box/Seat . . . . . Fig 1-11r01  
 Literature Box/Seat . . . . . Fig 1-11

**Frame Assemblies-Section 2**

Rack (S/N 677-) . . . . . Fig 2-1r05  
 Rack (S/N 650-676) . . . . . Fig 2-1r04  
 Rack (S/N 144-649) . . . . . Fig 2-1r03  
 Rack . . . . . Fig 2-1r02  
 Rack . . . . . Fig 2-1r01  
 Rack . . . . . Fig 2-1  
 Undercarriage . . . . . Fig 2-2  
 Right Drive Track . . . . . Fig 2-3  
 Left Drive Track . . . . . Fig 2-4  
 Track Tightener . . . . . Fig 2-5r02  
 Track Tightener . . . . . Fig 2-5r01  
 Track Tightener . . . . . Fig 2-5  
 Drill Carriage (S/N 627-) . . . . . Fig 2-6r03  
 Drill Carriage . . . . . Fig 2-6r02  
 Drill Carriage . . . . . Fig 2-6r01  
 Drill Carriage . . . . . Fig 2-6  
 Outrigger (S/N 702-) . . . . . Fig 2-7r05  
 Outrigger (S/N 626-) . . . . . Fig 2-7r04  
 Outrigger (S/N 550-625) . . . . . Fig 2-7r03  
 Outrigger (S/N 273-) . . . . . Fig 2-7r02

Outrigger . . . . . Fig 2-7r01  
 Outrigger . . . . . Fig 2-7  
 Seat Platform . . . . . Fig 2-8  
 Gearbox . . . . . Fig 2-9r03  
 Gearbox . . . . . Fig 2-9r02  
 Gearbox . . . . . Fig 2-9r01  
 Gearbox . . . . . Fig 2-9  
 Drive Chuck . . . . . Fig 2-10  
 Umbrella . . . . . Fig 2-11

**Shield Assemblies-Section 3**

Rear Shield (S/N 652, 697, 699, 703-708, 709-) . . . . . Fig 3-1r05  
 Rear Shield (S/N 588-715) . . . . . Fig 3-1r04  
 Rear Shield . . . . . Fig 3-1r03  
 Rear Shield . . . . . Fig 3-1r02  
 Rear Shield . . . . . Fig 3-1r01  
 Rear Shield . . . . . Fig 3-1  
 Top-Front Shield (S/N 712-) . . . . . Fig 3-2r06  
 Top-Front Shield (S/N 557-711) . . . . . Fig 3-2r05  
 Top-Front Shield (S/N 494-) . . . . . Fig 3-2r04  
 Top-Front Shield (S/N 494-) . . . . . Fig 3-2r03  
 Top-Front Shield . . . . . Fig 3-2r02  
 Top-Front Shield . . . . . Fig 3-2r01  
 Top-Front Shield . . . . . Fig 3-2  
 Engine Door (S/N 710-) . . . . . Fig 3-3r08  
 Engine Door (S/N 652, 697, 699, 703-708, 709-) . . . . . Fig 3-3r07  
 Engine Door (S/N 647-715) . . . . . Fig 3-3r06  
 Engine Door (S/N 588-646) . . . . . Fig 3-3r05  
 Engine Door . . . . . Fig 3-3r04  
 Engine Door . . . . . Fig 3-3r03  
 Engine Door . . . . . Fig 3-3r02  
 Engine Door . . . . . Fig 3-3r01  
 Engine Door . . . . . Fig 3-3

**Engine Assemblies-Section 4**

Engine Components (S/N 494-) . . . . . Fig 4-1r04  
 Engine Components (S/N 494-) . . . . . Fig 4-1r03  
 Engine Components (S/N 494-) . . . . . Fig 4-1r02  
 Engine Components . . . . . Fig 4-1r01  
 Engine Components . . . . . Fig 4-1  
 Engine Oil Drain . . . . . Fig 4-2r03  
 Engine Oil Drain . . . . . Fig 4-2r02  
 Engine Oil Drain . . . . . Fig 4-2r01  
 Engine Oil Drain . . . . . Fig 4-2  
 Motor Mounts (S/N 714-) . . . . . Fig 4-3r04  
 Motor Mounts (S/N 520-713) . . . . . Fig 4-3r03  
 Motor Mounts . . . . . Fig 4-3r02  
 Motor Mounts . . . . . Fig 4-3r01  
 Motor Mounts . . . . . Fig 4-3  
 Radiator (S/N 520-) . . . . . Fig 4-4r03  
 Radiator . . . . . Fig 4-4r02

Radiator . . . . . Fig 4-4r01  
 Radiator . . . . . Fig 4-4  
 Coolant Overflow Bottle . . . . . Fig 4-5r01  
 Coolant Overflow Bottle . . . . . Fig 4-5  
 Muffler (S/N 668-) . . . . . Fig 4-6r02  
 Muffler . . . . . Fig 4-6r01  
 Muffler . . . . . Fig 4-6  
 Air Cleaner (S/N 588-) . . . . . Fig 4-7r05  
 Air Cleaner . . . . . Fig 4-7r04  
 Air Cleaner . . . . . Fig 4-7r03  
 Air Cleaner . . . . . Fig 4-7r02  
 Air Cleaner . . . . . Fig 4-7r01  
 Air Cleaner . . . . . Fig 4-7  
 Fuel Tank . . . . . Fig 4-8  
 Radiator Components . . . . . Fig 4-9

**Hydraulic Assemblies-Section 5**

Oil Tank (S/N 647-) . . . . . Fig 5-1r05  
 Oil Tank (S/N 554-646) . . . . . Fig 5-1r04  
 Oil Tank . . . . . Fig 5-1r03  
 Oil Tank . . . . . Fig 5-1r02  
 Oil Tank . . . . . Fig 5-1r01  
 Oil Tank . . . . . Fig 5-1  
 Intake Manifold . . . . . Fig 5-2r02  
 Intake Manifold . . . . . Fig 5-2r01  
 Intake Manifold . . . . . Fig 5-2  
 Charge Filter . . . . . Fig 5-3  
 Oil Cooler (DELETED) . . . . . Fig 5-4r02  
 Oil Cooler . . . . . Fig 5-4r01  
 Oil Cooler . . . . . Fig 5-4  
 Oil Cooler (S/N 568-) . . . . . Fig 5-4x01r01  
 Oil Cooler . . . . . Fig 5-4x01  
 Control Valve (S/N 615-) . . . . . Fig 5-5r04  
 Control Valve . . . . . Fig 5-5r03  
 Control Valve . . . . . Fig 5-5r02  
 Control Valve . . . . . Fig 5-5r01  
 Control Valve . . . . . Fig 5-5  
 Speed Control Box (S/N 615-) . . . . . Fig 5-5x01  
 Thrust Valve-Manifold (S/N 568-) . . . . . Fig 5-6r04  
 Thrust Valve-Manifold . . . . . Fig 5-6r03  
 Thrust Valve-Manifold . . . . . Fig 5-6r02  
 Thrust Valve-Manifold . . . . . Fig 5-6r01  
 Thrust Valve-Manifold . . . . . Fig 5-6  
 Rotation Pump (DELETED) . . . . . Fig 5-7r02  
 Rotation Pump . . . . . Fig 5-7r01  
 Rotation Pump . . . . . Fig 5-7  
 Load Sensor Pump . . . . . Fig 5-8r03  
 Load Sensor Pump . . . . . Fig 5-8r02  
 Load Sensor Pump . . . . . Fig 5-8r01  
 Load Sensor Pump . . . . . Fig 5-8  
 Vise Valve . . . . . Fig 5-9r02  
 Vise Valve . . . . . Fig 5-9r01  
 Vise Valve . . . . . Fig 5-9  
 LOA Valve . . . . . Fig 5-10r03

LOA Valve . . . . .	Fig 5-10r02
LOA Valve . . . . .	Fig 5-10r01
LOA Valve . . . . .	Fig 5-10
Rotation Valve . . . . .	Fig 5-11r03
Rotation Valve . . . . .	Fig 5-11r02
Rotation Valve . . . . .	Fig 5-11r01
Rotation Valve . . . . .	Fig 5-11
Remote Lockout Valve (S/N 616-) . . . . .	Fig 5-12r02
Remote Lockout Valve (S/N 169-615) . . . . .	Fig 5-12r01
Remote Lockout Valve . . . . .	Fig 5-12
Water Control Valve . . . . .	Fig 5-13r02
Water Control Valve . . . . .	Fig 5-13r01
Water Control Valve . . . . .	Fig 5-13
Thrust-Track Valve . . . . .	Fig 5-14r02
Thrust-Track Valve . . . . .	Fig 5-14r01
Thrust-Track Valve . . . . .	Fig 5-14
Oil Cooler Manifold . . . . .	Fig 5-15r03
Oil Cooler Manifold . . . . .	Fig 5-15r02
Oil Cooler Manifold . . . . .	Fig 5-15r01
Oil Cooler Manifold . . . . .	Fig 5-15
Right Stakedown Hydraulics (S/N 716-) . . . . .	Fig 5-16r04
Right Stakedown Hydraulics (S/N 632-715) . . . . .	Fig 5-16r03
Right Stakedown Hydraulics (S/N 144-631) . . . . .	Fig 5-16r02
Right Stakedown Hydraulics (S/N 113-) . . . . .	Fig 5-16r01
Right Stakedown Hydraulics . . . . .	Fig 5-16
Left Stakedown Hydraulics (S/N 632-) . . . . .	Fig 5-17r03
Left Stakedown Hydraulics (S/N 144-631) . . . . .	Fig 5-17r02
Left Stakedown Hydraulics (S/N 113-) . . . . .	Fig 5-17r01
Left Stakedown Hydraulics . . . . .	Fig 5-17
Rotation Drive Motor (S/N 568-) . . . . .	Fig 5-18r05
Rotation Drive Motor (S/N 568-) . . . . .	Fig 5-18r04
Rotation Drive Motor (S/N 167-567) . . . . .	Fig 5-18r03
Rotation Drive Motor (S/N 167-) . . . . .	Fig 5-18r02
Rotation Drive Motor (S/N 167-) . . . . .	Fig 5-18r01
Rotation Drive Motor . . . . .	Fig 5-18
Thrust-Pullback Motor (S/N 167-) . . . . .	Fig 5-19r02
Thrust-Pullback Motor (S/N 167-) . . . . .	Fig 5-19r01
Thrust-Pullback Motor . . . . .	Fig 5-19
Left Drive Track Motor . . . . .	Fig 5-20r01
Left Drive Track Motor . . . . .	Fig 5-20
Right Drive Track Motor . . . . .	Fig 5-21
Water Pump Motor . . . . .	Fig 5-22r03
Water Pump Motor . . . . .	Fig 5-22r02
Water Pump Motor . . . . .	Fig 5-22r01
Water Pump Motor . . . . .	Fig 5-22
Gear Pump . . . . .	Fig 5-23
Water Shut-Off Cylinder (S/N 628-) . . . . .	Fig 5-24r01
Water Shut-Off Cylinder . . . . .	Fig 5-24
Outrigger Cylinder . . . . .	Fig 5-25r01
Outrigger Cylinder . . . . .	Fig 5-25
Vise Clamp Cylinder (S/N 624-) . . . . .	Fig 5-26r02
Vise Clamp Cylinder . . . . .	Fig 5-26r01
Vise Clamp Cylinder . . . . .	Fig 5-26
Hose Carrier . . . . .	Fig 5-27r01
Hose Carrier . . . . .	Fig 5-27
Miscellaneous Supplies . . . . .	Fig 5-28
Auto Greaser Hydraulics . . . . .	Fig 5-29r02



Auto Greaser Hydraulics . . . . . Fig 5-29r01  
 Auto Greaser Hydraulics . . . . . Fig 5-29  
 Bucket Auto Greaser Mount . . . . . Fig 5-30  
 Bucket Auto Greaser (1 Gallon). . . . . Fig 5-31  
 Bucket Auto Greaser Valve . . . . . Fig 5-32  
 Bucket Auto Greaser Cylinder (S/N 736-). . . . . Fig 5-33r01  
 Bucket Auto Greaser Cylinder. . . . . Fig 5-33  
 Bucket Auto Greaser Follower. . . . . Fig 5-34

**Control-Electrical Assemblies-Section 6**

Electrical Harness (S/N 527-) . . . . . Fig 6-1r03  
 Electrical Harness . . . . . Fig 6-1r02  
 Electrical Harness (S/N 179-) . . . . . Fig 6-1r01  
 Electrical Harness . . . . . Fig 6-1  
 Control Panel Electrical (S/N 332-) . . . . . Fig 6-2r04  
 Control Panel Electrical . . . . . Fig 6-2r03  
 Control Panel Electrical . . . . . Fig 6-2r02  
 Control Panel Electrical . . . . . Fig 6-2r01  
 Control Panel Electrical . . . . . Fig 6-2  
 Control Box Electrical (S/N 712-) . . . . . Fig 6-3r03  
 Control Box Electrical . . . . . Fig 6-3r02  
 Control Box Electrical . . . . . Fig 6-3r01  
 Control Box Electrical . . . . . Fig 6-3  
 Battery (S/N 588-). . . . . Fig 6-4r04  
 Battery . . . . . Fig 6-4r03  
 Battery . . . . . Fig 6-4r02  
 Battery . . . . . Fig 6-4r01  
 Battery . . . . . Fig 6-4  
 Right Control (S/N 680-) . . . . . Fig 6-5r04  
 Right Control (S/N 627-679) . . . . . Fig 6-5r03  
 Right Control . . . . . Fig 6-5r02  
 Right Control . . . . . Fig 6-5r01  
 Right Control . . . . . Fig 6-5  
 Left Control (S/N 679-) . . . . . Fig 6-6r03  
 Left Control . . . . . Fig 6-6r02  
 Left Control . . . . . Fig 6-6r01  
 Left Control . . . . . Fig 6-6  
 Safety Bar-E-Stop . . . . . Fig 6-7r01  
 Safety Bar-E-Stop . . . . . Fig 6-7  
 Remote Lockout Electrical . . . . . Fig 6-8r02  
 Remote Lockout Electrical . . . . . Fig 6-8r01  
 Remote Lockout Electrical . . . . . Fig 6-8  
 DT Series Connectors . . . . . Fig 6-9

**Vise Clamp Assemblies-Section 7**

Vise (S/N 332-) . . . . . Fig 7-1r03  
 Vise . . . . . Fig 7-1r02  
 Vise . . . . . Fig 7-1r01  
 Vise . . . . . Fig 7-1  
 Zap Alert (S/N 702-) . . . . . Fig 7-2r03  
 Zap Alert (S/N 332-701) . . . . . Fig 7-2r02

Zap Alert ..... Fig 7-2r01  
 Zap Alert ..... Fig 7-2

**Water Assemblies-Section 8**

Wand ..... Fig 8-1  
 Drill Fluid ..... Fig 8-2  
 Water Tank (S/N 167-) ..... Fig 8-3r02  
 Water Tank (S/N 167-) ..... Fig 8-3r01  
 Water Tank ..... Fig 8-3  
 Water Pump ..... Fig 8-4r03  
 Water Pump ..... Fig 8-4r02  
 Water Pump ..... Fig 8-4r01  
 Water Pump ..... Fig 8-4

**Rod Box Assemblies-Section 9**

Rod Box ..... Fig 9-1r02  
 Rod Box ..... Fig 9-1r01  
 Rod Box ..... Fig 9-1  
 Rod Cradle (S/N 692-) ..... Fig 9-2

**Safety Assemblies-Section 10**

Safety Features Gloves-Boots-Cones ..... Fig 10-1r01  
 Safety Features Gloves-Boots-Cones ..... Fig 10-1  
 Voltage Stake ..... Fig 10-2r01  
 Voltage Stake ..... Fig 10-2

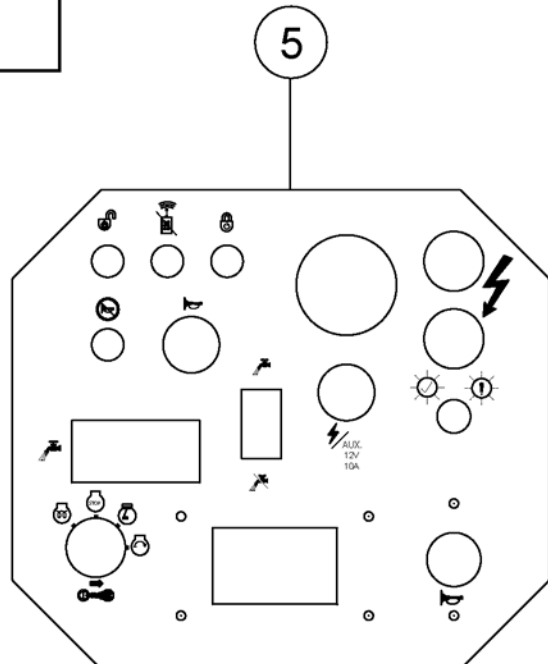
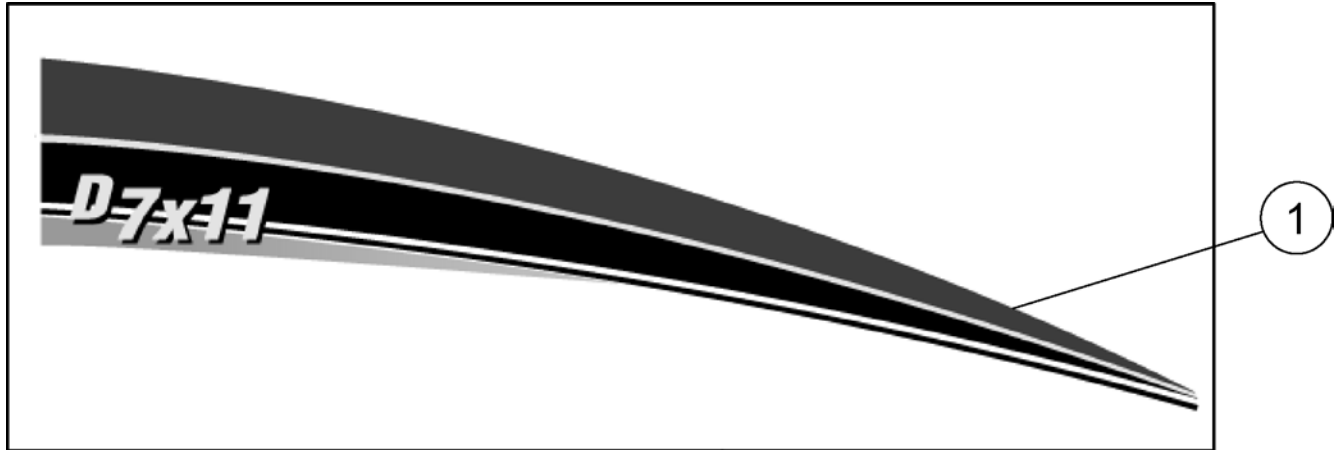
**Hydraulic Location Diagram-Section 11**

Implement ..... Fig 11-1r02  
 Implement ..... Fig 11-1r01  
 Implement ..... Fig 11-1  
 Track Drive ..... Fig 11-2r01  
 Track Drive ..... Fig 11-2  
 Stakedown ..... Fig 11-3r01  
 Stakedown ..... Fig 11-3  
 Vise Clamp ..... Fig 11-4r01  
 Vise Clamp ..... Fig 11-4  
 Water System ..... Fig 11-5r02  
 Water System ..... Fig 11-5r01  
 Water System ..... Fig 11-5  
 Auto Greaser ..... Fig 11-6  
 Thrust/Pullback ..... Fig 11-7r03  
 Thrust/Pullback ..... Fig 11-7r02  
 Thrust/Pullback ..... Fig 11-7r01  
 Thrust/Pullback ..... Fig 11-7  
 Bucket Auto Greaser ..... Fig 11-8

Components Breakdown-Section 12

Control Valve .....	Fig 12-1
Standard Spool Positioner .....	Fig 12-2
Load Check Plug .....	Fig 12-3
WH Main Relief .....	Fig 12-4
Rotation Valve .....	Fig 12-5r01
Rotation Valve .....	Fig 12-5
Vise Valve .....	Fig 12-6
Thrust-Track Valve .....	Fig 12-7
Water Pump .....	Fig 12-8
Water Pump .....	Fig 12-9r01
Water Pump .....	Fig 12-9
Stakedown Motor .....	Fig 12-10
Water Shut-off Valve .....	Fig 12-11r01
Water Shut-off Valve .....	Fig 12-11
Air Cleaner .....	Fig 12-12
Track-Chain .....	Fig 12-13
Hose Carrier .....	Fig 12-14
Right Control Grip (S/N 627-) .....	Fig 12-15r02
Right Control Grip .....	Fig 12-15r01
Right Control Grip .....	Fig 12-15
LOA Valve .....	Fig 12-16
Outrigger Cylinder .....	Fig 12-17
Vise Cylinder .....	Fig 12-18
Thrust Valve .....	Fig 12-19r01
Thrust Valve .....	Fig 12-19
Auto Greaser .....	Fig 12-20r01
Auto Greaser .....	Fig 12-20
Auto Greaser Valve .....	Fig 12-21
Auto Greaser Cylinder .....	Fig 12-22
Water Shutoff Cylinder (S/N 628-) .....	Fig 12-23r01
Water Shutoff Cylinder .....	Fig 12-23
Remote Lockout Valve .....	Fig 12-24r01
Remote Lockout Valve .....	Fig 12-24
Water Pump Manifold Valve .....	Fig 12-25
Water Pump Motor .....	Fig 12-26r01
Water Pump Motor .....	Fig 12-26
Thrust/Pullback Motor .....	Fig 12-27
Gearbox Motor .....	Fig 12-28
Pump - Rotation .....	Fig 12-29r03
Pump - Rotation .....	Fig 12-29r02
Rotation Pump .....	Fig 12-29r01
Rotation Pump .....	Fig 12-29
Pump - PFC .....	Fig 12-30r02
Load Sensor Pump .....	Fig 12-30r01
Load Sensor Pump .....	Fig 12-30
Pressure & Flow Compensator .....	Fig 12-31r01
Pressure & Flow Compensator .....	Fig 12-31
Coupling Assy .....	Fig 12-32
Cylinder 2 X 2 1/2 .....	Fig 12-33r01
Cylinder 2 X 2 1/2 .....	Fig 12-33
Filter - Hydraulic (S/N 554-) .....	Fig 12-34
Bucket Greaser Cylinder (S/N 736-) .....	Fig 12-35r01
Bucket Greaser Cylinder .....	Fig 12-35

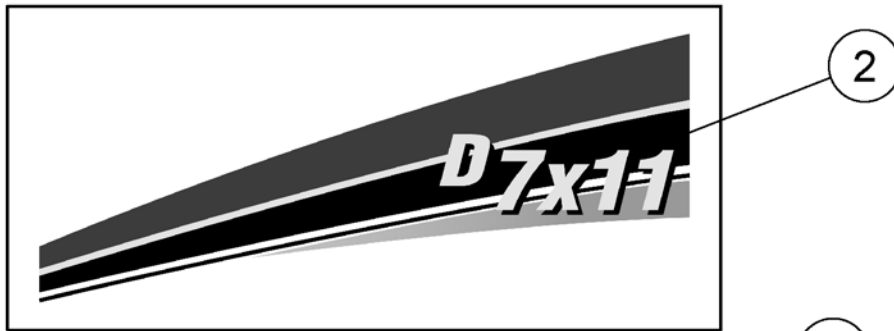
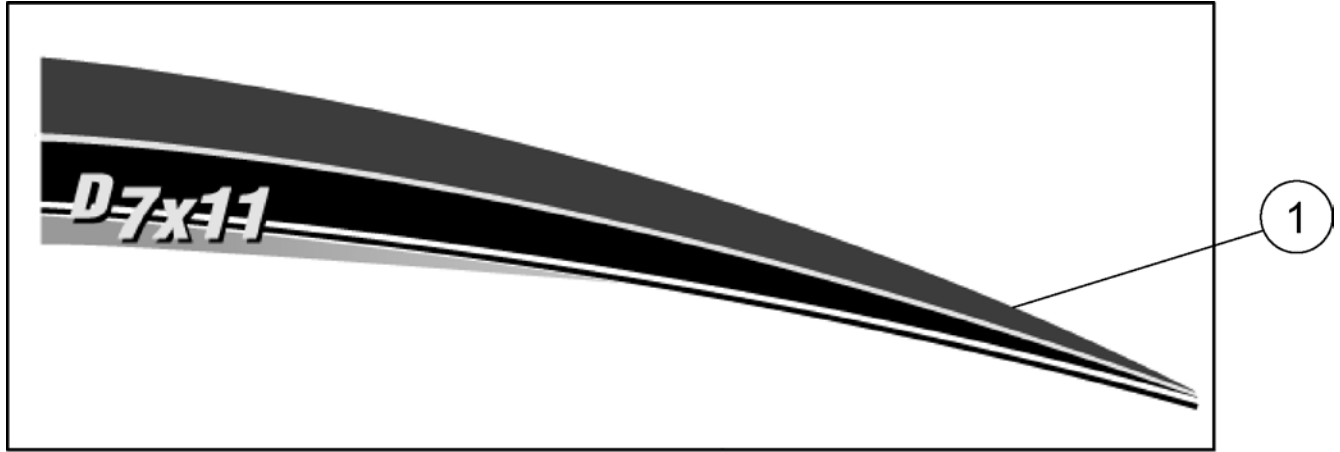
Decals - Domestic (S/N 710-) Fig 1-1r04



## Decals - Domestic (S/N 710-) Fig 1-1r04

REF. NO.	*	PART NO.	DESCRIPTION	QTY.	REMARKS
		Revision Date	August, 2007		Change Decal
1	*	7000D170	DECAL - RIGHT STRIPE	1	(S/N 710-)
2		7000D171	DECAL - LEFT STRIPE	1	(S/N 647-)
3		7000C325	DECAL - SERIES II (10")	2	
4		2326142	DECAL-INDICATOR	A/R	P/N Qty. Of 1 = 1 Inch
5		700IC289	DECAL - CONSOLE	1	(S/N 101-331)
		700IC518	DECAL - CONSOLE	1	(S/N 332-)
6		2326595	DECAL VERMEER- 4 1/2 X 24	1	
		2326619	DECAL- VERMEER 3 X 15	1	
7		70000614	DECAL-MODEL NAVIGATOR (BIG)	1	
		7000A010	DECAL-MODEL NAVIGATOR(MEDIUM)	1	

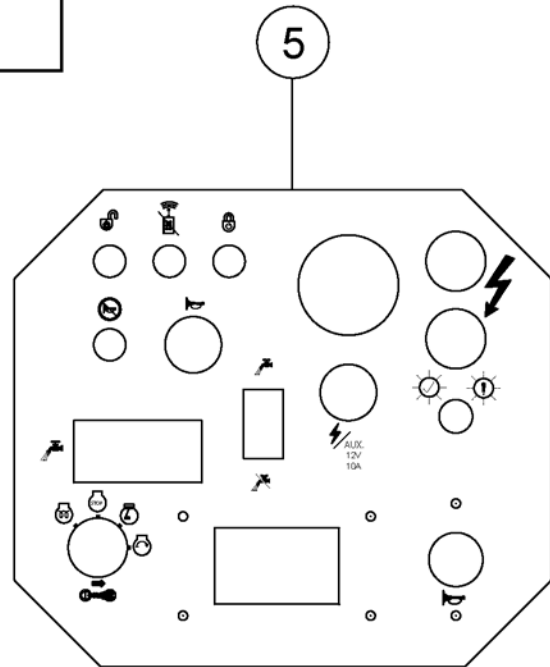
Decals - Domestic (S/N 647-709) Fig 1-1r03



**Vermeer<sup>®</sup>**



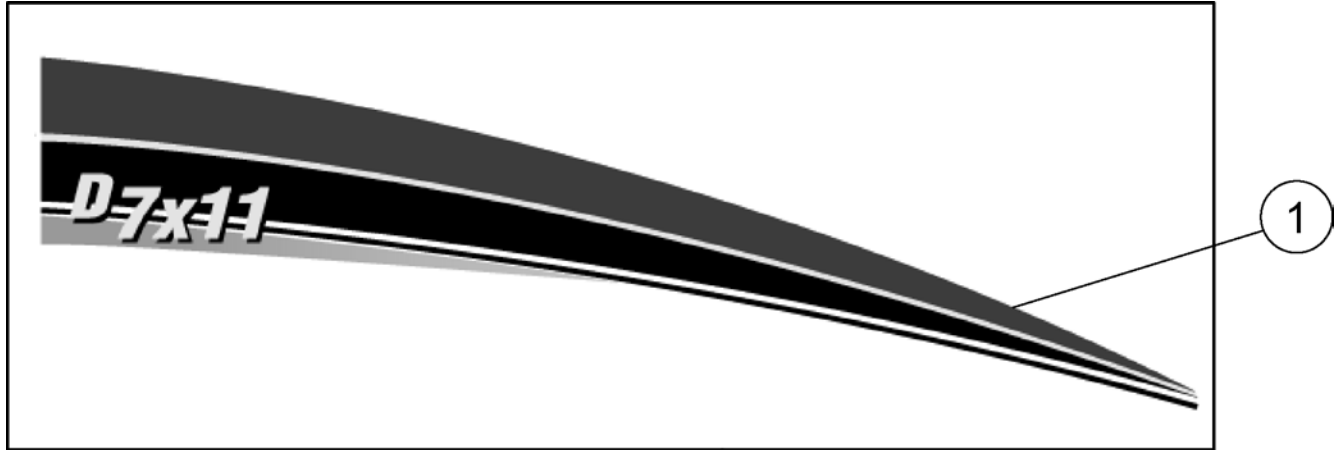
**NAVIGATOR**



## Decals - Domestic (S/N 647-709) Fig 1-1r03

REF. NO.	*	PART NO.	DESCRIPTION	QTY.	REMARKS
		Revision Date	March, 2007		Change Decal Colors
1	*	7000D170	DECAL - RIGHT STRIPE	1	(S/N 647-)
2	*	7000D171	DECAL - LEFT STRIPE	1	(S/N 647-)
3		7000C325	DECAL - SERIES II (10")	2	
4		2326142	DECAL-INDICATOR	A/R	P/N Qty. Of 1 = 1 Inch
5		700IC289	DECAL - CONSOLE	1	(S/N 101-331)
		700IC518	DECAL - CONSOLE	1	(S/N 332-)
6		2326595	DECAL VERMEER- 4 1/2 X 24	1	
		2326619	DECAL- VERMEER 3 X 15	1	
7		70000614	DECAL-MODEL NAVIGATOR (BIG)	1	
		7000A010	DECAL-MODEL NAVIGATOR(MEDIUM)	1	

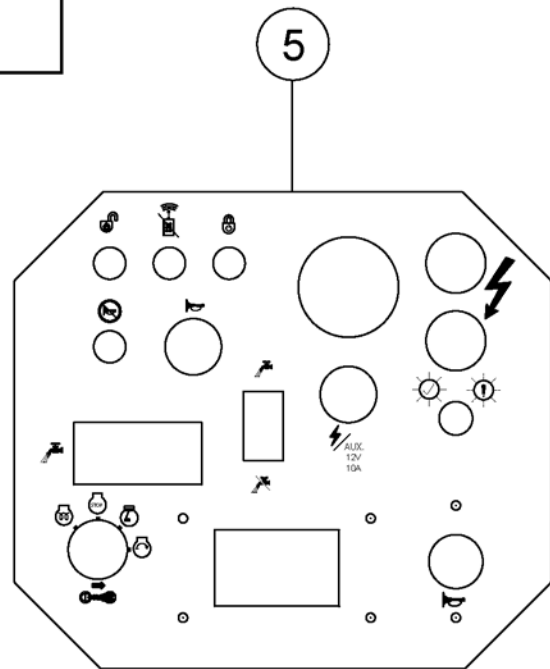
Decals - Domestic Fig 1-1r02



**Vermeer<sup>®</sup>**



**NAVIGATOR**

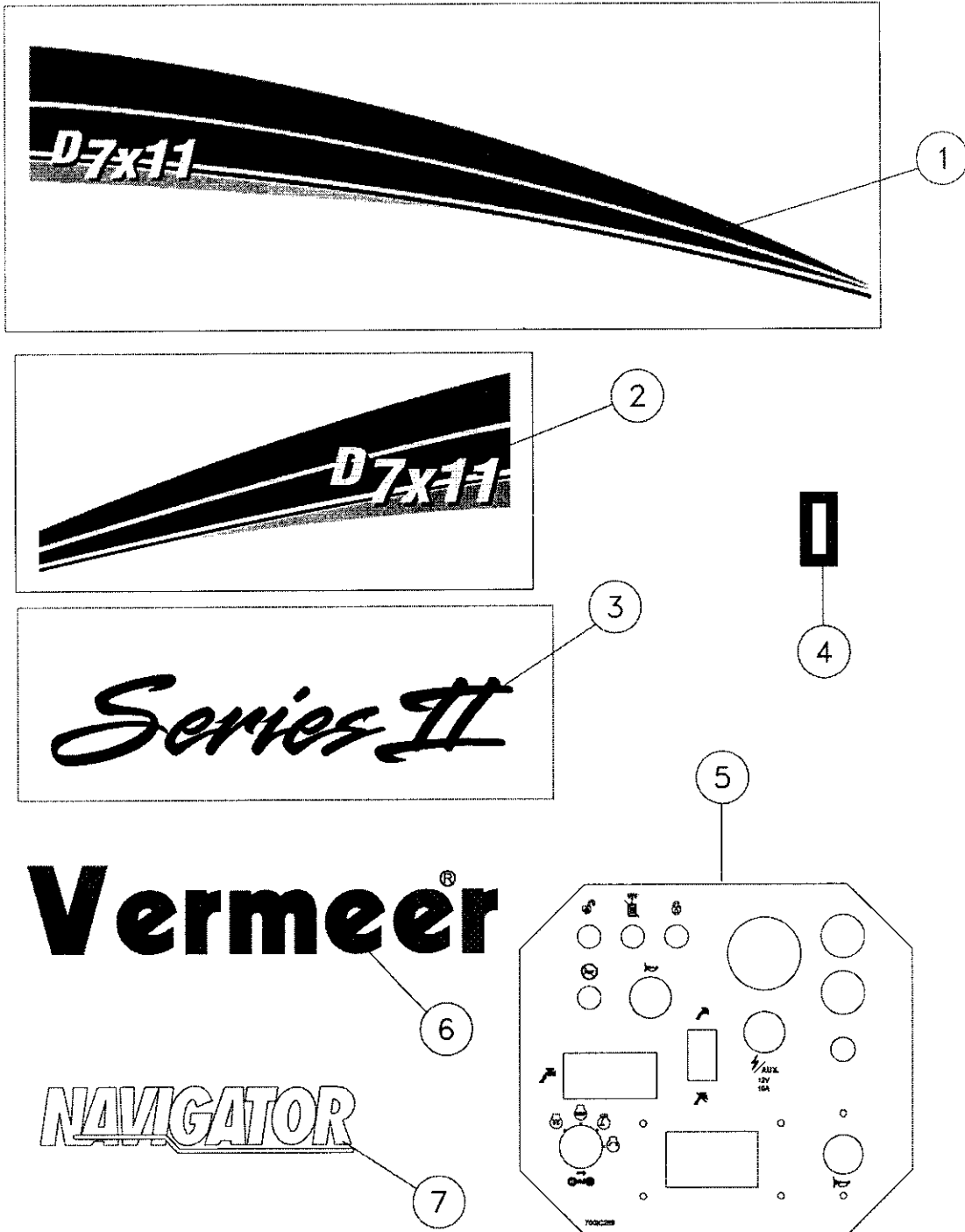




## Decals - Domestic Fig 1-1r02

REF. NO.	*	PART NO.	DESCRIPTION	QTY.	REMARKS
		Revision Date	December, 2006		Corrected Part Numbers
1	*	7000C323	DECAL - RIGHT STRIPE	1	
2	*	7000C324	DECAL - LEFT STRIPE	1	
3	*	7000C325	DECAL - SERIES II (10")	2	
4		2326142	DECAL-INDICATOR	A/R	P/N Qty. Of 1 = 1 Inch
5		700IC289	DECAL - CONSOLE	1	(S/N 101-331)
		700IC518	DECAL - CONSOLE	1	(S/N 332-)
6		2326595	DECAL VERMEER- 4 1/2 X 24	1	
		2326619	DECAL- VERMEER 3 X 15	1	
7		70000614	DECAL-MODEL NAVIGATOR (BIG)	1	
		7000A010	DECAL-MODEL NAVIGATOR(MEDIUM)	1	

Decals - Domestic Fig 1-1r01



## Decals - Domestic Fig 1-1r01

REF. NO.	*	PART NO.	DESCRIPTION	QTY.	REMARKS
		Revision Date	March, 2005		Update In Illustration.
1		700C323	DECAL - RIGHT STRIPE	1	
2		700C324	DECAL - LEFT STRIPE	1	
3		700C325	DECAL - SERIES II (10")	2	
4		2326142	DECAL-INDICATOR	A/R	P/N Qty. Of 1 = 1 Inch
5		700IC289	DECAL - CONSOLE	1	
6		2326595	DECAL VERMEER- 4 1/2 X 24	1	
		2326619	DECAL- VERMEER 3 X 15	1	
7		70000615	DECAL-MODEL NAVIGATOR (SMALL)	1	
		7000A010	DECAL-MODEL NAVIGATOR(MEDIUM)	1	



## Decals - Domestic Fig 1-1

REF. NO.	*	PART NO.	DESCRIPTION	QTY.	REMARKS
1		700C323	DECAL - RIGHT STRIPE	1	
2		700C324	DECAL - LEFT STRIPE	1	
3		700C325	DECAL - SERIES II (10")	2	
4		2326142	DECAL-INDICATOR	A/R	P/N Qty. Of 1 = 1 Inch
5		700IC289	DECAL - CONSOLE	1	
6		2326595	DECAL VERMEER- 4 1/2 X 24	1	
		2326619	DECAL- VERMEER 3 X 15	1	
7		70000615	DECAL-MODEL NAVIGATOR (SMALL)	1	
		7000A010	DECAL-MODEL NAVIGATOR(MEDIUM)	1	

Decals - Domestic Fig 1-2r02

1

**Notice • Avis • Hinweis • Avviso • Aviso • 告示**

**If you purchased this product as used equipment, you can receive a FREE Operator's Manual by contacting:**  
**Si vous avez acheté cet équipement d'occasion, vous pouvez recevoir un manuel de l'opérateur GRATUITEMENT en contactant le :**  
**Wenn Sie diese Maschine gebrauchte erworben haben, können Sie eine KOSTENLOSE Bedienungsanleitung zum Erhalt kontaktieren:**  
**Se si è comprato la presente macchina usata, si può ricevere una copia del manuale dell'operatore IN GRATIS, contattando:**  
**Si este producto que ha comprado es un equipo usado, puede recibir un manual del operador GRATIS llamando al:**  
**如果您購買的是二手設備，可以免費獲取操作手冊。請聯繫：**

**Vermeer Manufacturing Company**  
**ATTN: Customer Data Department**  
**1210 Vermeer Road West, PO BOX 300**  
**Paris, Iowa 50248 USA**  
**800-828-0801 or 641-488-3141**  
**Web-site: English speaking only**  
**Téléphone : en anglais uniquement**  
**Teléfono: Nur in Englisch gestattet**  
**Telefono: solo in conversazioni con la lingua**  
**Telefone: en língua castelhana**  
**電話: 英語服務**

**OR by completing and mailing the Used Equipment Registration Form contained in the Operator's Manual.**  
**OU en remplissant et en envoyant le formulaire d'enregistrement de l'équipement d'occasion inclus dans le manuel de l'opérateur.**  
**ODER die in der Bedienungsanleitung enthaltene Formular zur Registrierung gebrauchter Ausrüstung ausfüllen und absenden.**  
**OPPURE compilando e spedendo il modulo di registrazione per macchine usate, incluso al manuale dell'operatore.**  
**O rellenando y enviando por correo el impreso de registro de equipos usados incluido en el manual del operador.**  
**如果您填寫並寄回操作手冊中附帶的二手設備註冊表，即可免費獲取手冊。**

2

**This product may be covered by one or more of the following patents:**

AU 756,936	US 5,390,041	US 6,195,922	US 6,477,795	US 6,732,043
CA 1 79,593	US 5,607,288	US 6,247,544	US 6,484,818	US 6,753,263
DE 696 11 846	US 5,611,496	US 6,289,997	US 6,491,115	US 6,766,869
DE 202 14 959.5	US 5,657,803	US 6,308,787	US 6,497,296	US 6,804,903
DE Des. 96 006	US 5,659,985	US 6,315,062	US 6,511,260	US 6,814,164
EP 772,543	US 5,687,807	US 6,332,502	US 6,516,899	US 6,833,795
EP 830,522	US 5,692,548	US 6,357,537	US 6,517,733	US 6,839,991
EP 865,343	US 5,692,549	US 6,360,830	US 6,533,046	US 6,840,471
EP 1,153,194	US 5,704,142	US 6,367,864	US 6,533,052	US 6,843,435
GB 2,053,636	US 5,720,354	US 6,374,928	US 6,554,082	US 6,845,825
HK 1015859	US 5,746,278	US 6,382,330	US 6,557,651	US 6,880,430
RU 2,156,952	US 5,769,811	US 6,389,360	US 6,577,954	US 6,886,644
US Des. 308,682	US 5,778,991	US 6,390,207	US 6,585,062	US 6,910,541
US Des. 396,837	US 5,819,859	US 6,408,958	US 6,588,516	US 6,929,875
US 4,848,423	US 5,845,689	US 6,408,954	US 6,631,750	US 6,948,265
US 5,205,181	US 5,904,210	US 6,412,715	US 6,659,202	US 6,975,942
US 5,219,380	US 5,944,121	US 6,422,495	US 6,668,946	US 6,978,955
US 5,237,888	US 5,950,942	US 6,435,286	US 6,684,338	
US 5,291,964	US 6,014,996	US 6,439,319	US 6,701,647	
US 5,309,220	US 6,050,350	US 6,446,363	US 6,715,069	
US 5,344,055	US 6,109,367	US 6,446,889	US 6,725,579	
US 5,553,407	US 6,119,376	US 6,454,025	US 6,729,058	
US 5,556,253	US 6,138,932	US 6,470,976	US 6,749,029	
US 5,574,642	US 6,154,987	US 6,474,931	US 6,751,553	
US 5,588,474	US 6,161,630	US 6,474,932	US 6,751,893	

**This product may be covered by one or more of the following licensed patents:**

US 4,884,888	US 4,887,288	US 4,948,888
US 4,887,794	US 4,889,888	US 4,949,794

**(OTHER U.S. AND FOREIGN PATENTS PENDING)**

7000C288

7000C418

7000C388

7000C340

1 START RELAY

2 E-STOP

3 AUX

4 DSR

5 LOCKOUT/FLOWMTR

6 HYD FAN

7 SPARE

8 SPARE

9 SPARE

10 SPARE

P1.07

## Decals - Domestic Fig 1-2r02

REF. NO.	*	PART NO.	DESCRIPTION	QTY.	REMARKS
		Revision Date	April, 2007		Updated Decals
1	*	2326940	DECAL-NOTICE TO OWNERS	1	
2	*	7000B119	DECAL - PATENT INDUSTRIAL	1	
3		700IC288	DECAL - REAR CONTROL	1	
4		700IA473	DECAL-THROTTLE (UG)	1	
5		700IC443	DECAL - JOYSTICK	1	S/N 179 & Up
6		7000C339	DECAL - PARKING	1	
7		7000C340	DECAL - ROD BOX	1	
8		7000C421	DECAL - RELAY/FUSE PANEL	1	Thru S/N 331
		7000C528	DECAL - RELAY/FUSE PANEL	1	PN Change (After S/N 331)

Decals - Domestic Fig 1-2r01

**Notice · Avis · Hinweis · Avviso · Aviso ·**

If you purchased this product as used equipment, you can receive a FREE Operator's Manual by contacting:

Si vous avez acheté cet équipement d'occasion, vous pouvez recevoir un manuel de l'opérateur GRATUIT en composant le:

Wenn Sie diese Maschine gebraucht erworben haben, können Sie eine KOSTENLOSE Betriebsanleitung wie folgt anfordern:

Se si è comprata la presente macchina usata, si può ricevere una copia del manuale dell'operatore IN OMAGGIO, contattando:

Si este producto que he comprado es un equipo usado, puede recibir un manual del operador GRATUITO llamando al:

\* \* \* \* \*

**Vermeer Manufacturing Company**  
 ATTN: Customer Data Department  
 1210 Vermeer Road East, PO BOX 200  
 Pella, IA 50219 USA  
 800-829-0051 or 641-629-3141  
 Telephone: English speaking only  
 Téléphone: en anglais uniquement  
 Telefon: Nur in Englischer Sprache  
 Telefono: tutte le comunicazioni saranno in inglese  
 Teléfono: en inglés solamente

\* \* \* \* \*

OR by completing and mailing the Used Equipment Registration Form enclosed in the Operator's Manual.  
 OU en remplissant et en envoyant le formulaire d'enregistrement de l'équipement d'occasion inclus dans le manuel de l'opérateur.  
 ODER das in der Betriebsanleitung enthaltene Formular zur Registrierung gebrauchter Ausrüstung ausfüllen und einsenden.  
 OPPURE compilando e spedendo il modulo di registrazione per macchinari usati, accluso al manuale dell'operatore.  
 O rellenando y enviando por correo el Impreso de registro de equipos usados incluido en el manual del operador.

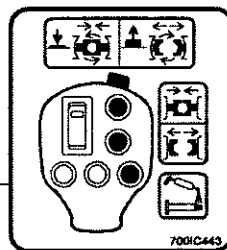
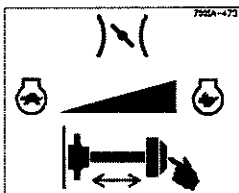
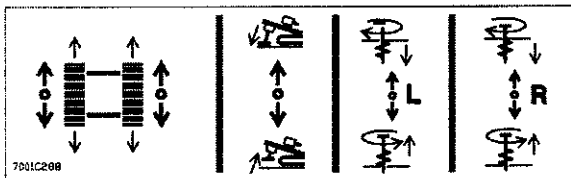
This product may be covered by one or more of the following patents:

AU 766,936	US 5,590,041	US 6,195,922	US 6,477,795
CA D 79,563	US 5,607,280	US 6,247,544	US 6,484,818
DE 206 11 848	US 5,611,496	US 6,289,997	US 6,491,115
DE 202 14 868.5	US 5,637,803	US 6,308,787	US 6,497,296
DE Des. 06 006 65.4	US 5,659,985	US 6,315,062	US 6,511,260
EP 772,543	US 5,687,807	US 6,332,502	US 6,516,899
EP 630,522	US 5,692,548	US 6,357,537	US 6,517,733
EP 885,343	US 5,692,549	US 6,360,830	US 6,533,046
EP 1,153,194	US 5,704,142	US 6,367,564	US 6,533,052
GB 2,053,636	US 5,720,354	US 6,374,928	US 6,554,082
HK 1015859	US 5,746,279	US 6,382,330	US 6,557,651
KU 2,158,952	US 5,768,811	US 6,389,360	US 6,577,954
US Des. 308,682	US 5,778,991	US 6,390,207	US 6,585,062
US Des. 396,837	US 5,819,859	US 6,408,952	US 6,588,516
US 4,848,423	US 5,845,689	US 6,408,954	US 6,651,755
US 5,205,181	US 5,904,210	US 6,412,715	US 6,659,202
US 5,219,380	US 5,944,121	US 6,422,495	US 6,668,946
US 5,237,888	US 5,950,942	US 6,435,286	US 6,684,538
US 5,291,964	US 6,014,996	US 6,439,319	US 6,701,647
US 5,509,220	US 6,050,350	US 6,446,365	US 6,719,069
US 5,544,055	US 6,109,367	US 6,446,869	US 6,725,579
US 5,553,407	US 6,119,376	US 6,454,025	US 6,729,050
US 5,556,253	US 6,138,932	US 6,470,976	
US 5,574,642	US 6,154,987	US 6,474,931	
US 5,588,474	US 6,161,630	US 6,474,932	

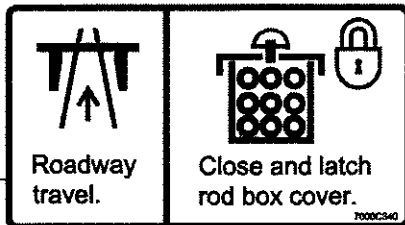
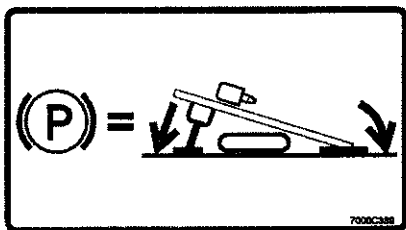
This product may be covered by one or more of the following licensed patents:

US 4,694,913	US 4,867,255	US 5,148,880
US 4,858,704	US 4,953,638	US 5,799,740

(OTHER U.S. AND FOREIGN PATENTS PENDING)



- |               |                   |
|---------------|-------------------|
| START         | 1 START RELAY     |
|               | 2 E-STOP          |
|               | 3 AUX             |
|               | 4 DSR             |
|               | 5 LOCKOUT/FLOWMTR |
| RL HYD ENABLE | 6 HYD FAN         |
|               | 7 SPARE           |
| SEAT          | 8 SPARE           |
|               | 9 SPARE           |
| SPARE         | 10 SPARE          |





## Decals - Domestic Fig 1-2r01

REF. NO.	*	PART NO.	DESCRIPTION	QTY.	REMARKS
		Revision Date	March, 2005		Update In Illustration & Parts List.
1		2326940	DECAL-NOTICE TO OWNERS	1	
2		7000B119	DECAL - PATENT INDUSTRIAL	1	
3		700IC288	DECAL - REAR CONTROL	1	
4		700IA473	DECAL-THROTTLE (UG)	1	
5		700IC443	DECAL - JOYSTICK	1	S/N 179 & Up
6		7000C339	DECAL - PARKING	1	
7		7000C340	DECAL - ROD BOX	1	
8		7000C421	DECAL - RELAY/FUSE PANEL	1	

Decals - Domestic Fig 1-2

**Notice • Avis • Hinweis • Avviso • Aviso •**

If you purchased this product as used equipment, you can receive a FREE Operator's Manual by contacting:  
 Si vous avez acheté cet équipement d'occasion, vous pouvez recevoir un manuel de l'opérateur GRATUIT en composant le:  
 Wenn Sie diese Maschine gebraucht erworben haben, können Sie eine KOSTENLOSE Betriebsanleitung wie folgt anfordern:  
 Se si è comprata la presente macchina usata, si può ricevere una copia del manuale dell'operatore IN OMAGGIO, contattando:  
 Si este producto que ha comprado es un equipo usado, puede recibir un manual del operador GRATUITO llamando a:

\* \* \* \* \*

**Vermeer Manufacturing Company**  
 ATTN: Customer Data Department  
 1210 Vermeer Road East, PO BOX 200  
 Peila, IA 50219 USA  
 800-828-0051 or 641-828-3141  
 Telephone: English speaking only  
 Téléphone: en anglais uniquement  
 Telefon: Nur in Englischer Sprache  
 Telefono: tutte le comunicazioni saranno in inglese  
 Teléfono: en inglés solamente

\* \* \* \* \*

OR by completing and mailing the Used Equipment Registration Form enclosed in the Operator's Manual.  
 OU en remplissant et en envoyant le formulaire d'enregistrement de l'équipement d'occasion inclus dans le manuel de l'opérateur.  
 ODER das in der Betriebsanleitung enthaltene Formular zur Registrierung gebrauchter Ausrüstung ausfüllen und einsenden.  
 OPPURE compilando e spedendo il modulo di registrazione per macchinari usati, accluso al manuale dell'operatore.  
 O rellenando y enviando por correo el impreso de registro de equipos usados incluido en el manual del operador.

1

2

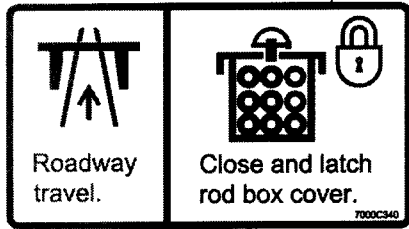
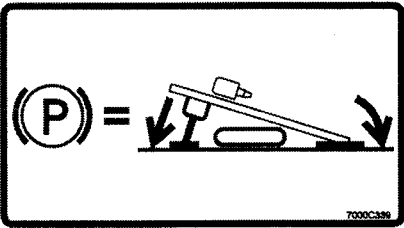
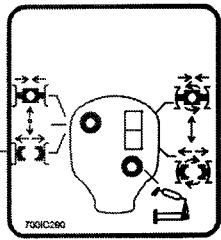
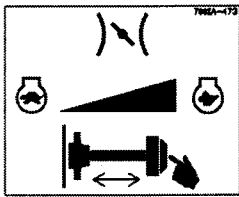
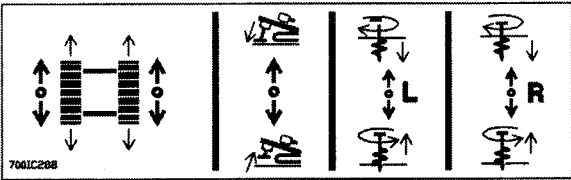
This product may be covered by one or more of the following patents:

AU 796,936	US 5,990,041	US 6,195,922	US 6,477,795
CA D 79,599	US 5,607,280	US 6,247,544	US 6,484,818
DE 886 11 848	US 5,611,496	US 6,289,997	US 6,491,115
DE 202 14 898.5	US 5,657,803	US 6,308,787	US 6,497,296
DE Des. 98 008 85.4	US 5,659,985	US 6,315,062	US 6,511,260
EP 772,543	US 5,687,807	US 6,332,502	US 6,516,899
EP 830,522	US 5,692,548	US 6,357,537	US 6,517,733
EP 885,343	US 5,692,549	US 6,360,830	US 6,533,046
EP 1,153,194	US 5,704,142	US 6,367,564	US 6,533,052
GB 2,053,636	US 5,720,354	US 6,374,928	US 6,554,082
HK 1015859	US 5,746,278	US 6,382,330	US 6,557,651
RU 2,158,952	US 5,768,811	US 6,389,360	US 6,577,954
US Des. 308,682	US 5,778,991	US 6,390,207	US 6,585,062
US Des. 396,837	US 5,819,859	US 6,408,952	US 6,588,516
US 4,848,429	US 5,845,689	US 6,408,954	US 6,631,755
US 5,205,181	US 5,904,210	US 6,412,715	US 6,659,202
US 5,219,380	US 5,944,121	US 6,422,495	US 6,668,946
US 5,237,888	US 5,950,942	US 6,435,286	US 6,684,538
US 5,291,964	US 6,014,996	US 6,439,319	US 6,701,647
US 5,509,220	US 6,050,350	US 6,446,889	US 6,719,069
US 5,544,055	US 6,109,367	US 6,446,889	US 6,725,579
US 5,553,407	US 6,119,376	US 6,454,025	US 6,729,050
US 5,556,253	US 6,138,932	US 6,470,976	
US 5,574,642	US 6,154,987	US 6,474,931	
US 5,588,474	US 6,161,630	US 6,474,932	

This product may be covered by one or more of the following licensed patents:

US 4,694,913	US 4,867,255	US 5,148,880
US 4,958,704	US 4,953,638	US 5,799,740

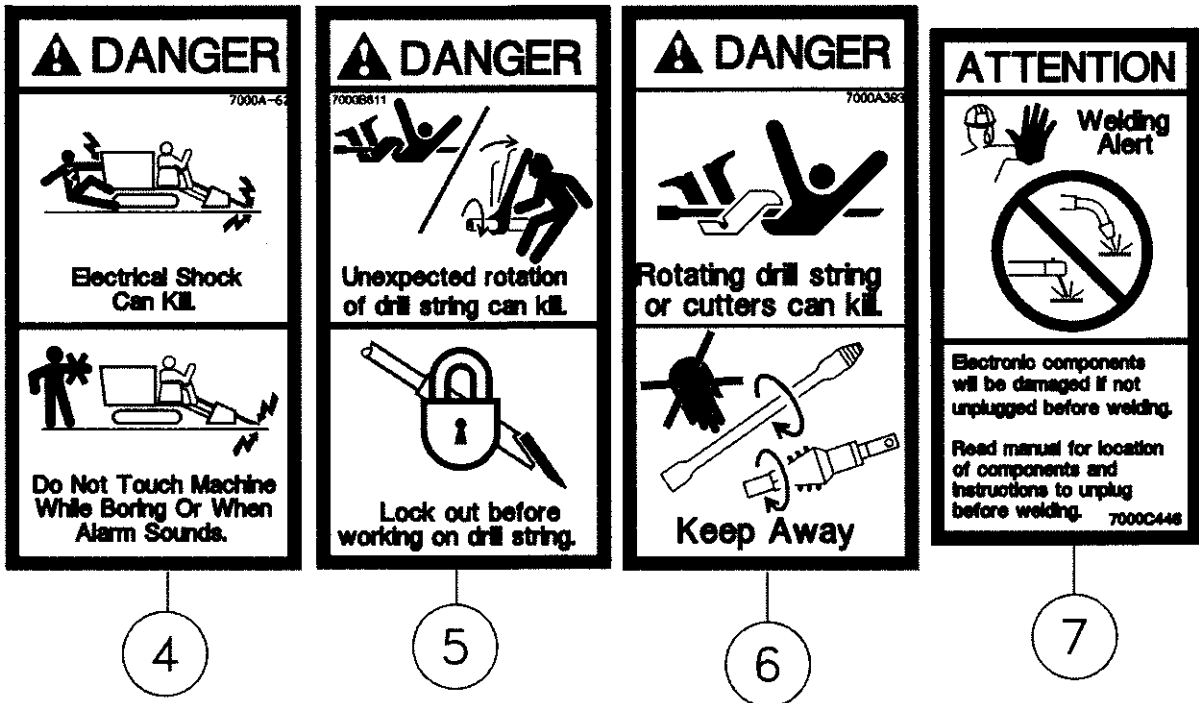
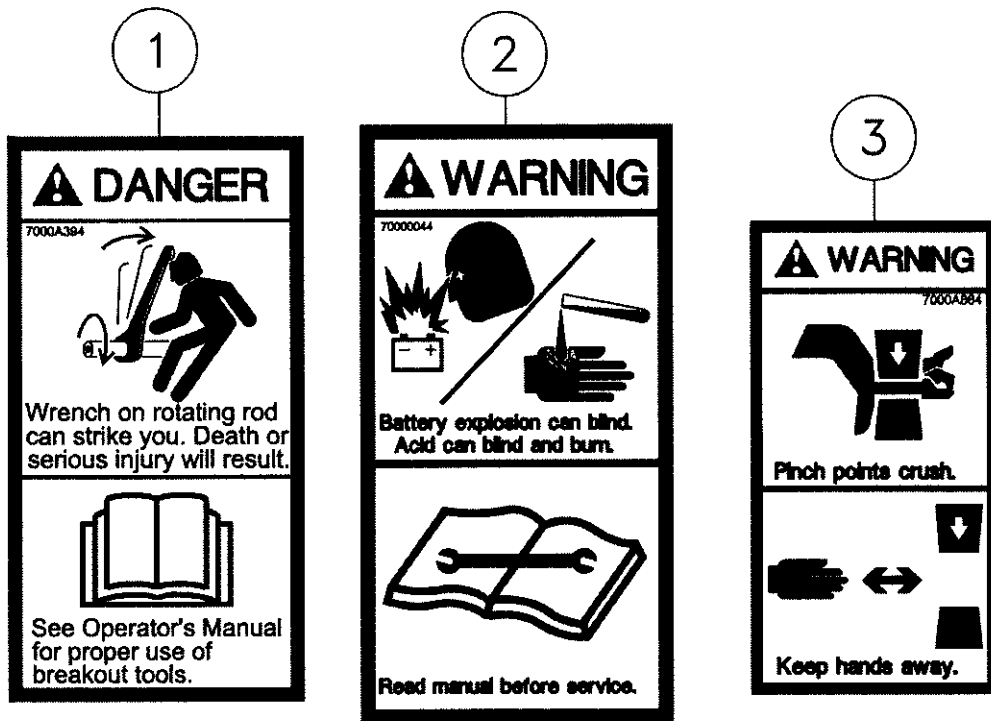
(OTHER U.S. AND FOREIGN PATENTS PENDING)



## Decals - Domestic Fig 1-2

REF. NO.	*	PART NO.	DESCRIPTION	QTY.	REMARKS
1		2326940	DECAL-NOTICE TO OWNERS	1	
2		7000B119	DECAL - PATENT INDUSTRIAL	1	
3		700IC288	DECAL - REAR CONTROL	1	
4		700IA473	DECAL-THROTTLE (UG)	1	
5		700IC290	DECAL - JOYSTICK	1	
6		7000C339	DECAL - PARKING	1	
7		7000C340	DECAL - ROD BOX	1	

Decals - Domestic Fig 1-3



## Decals - Domestic Fig 1-3

REF. NO.	*	PART NO.	DESCRIPTION	QTY.	REMARKS
		Revision Date	December, 2006		Added Decal
1		7000A394	DECAL - WARNING	1	
2		70000044	DECAL-WARNING(AT/UND)	1	
3		7000A864	DECAL-WARNING DOMESTIC	1	
4		7000A627	DECAL-DANGER	1	
5		7000B811	DECAL - DANGER - RLE - DOMESTIC	1	
6		7000A393	DECAL - DANGER	1	
7	*	7000C446	DECAL - NO WELD	1	

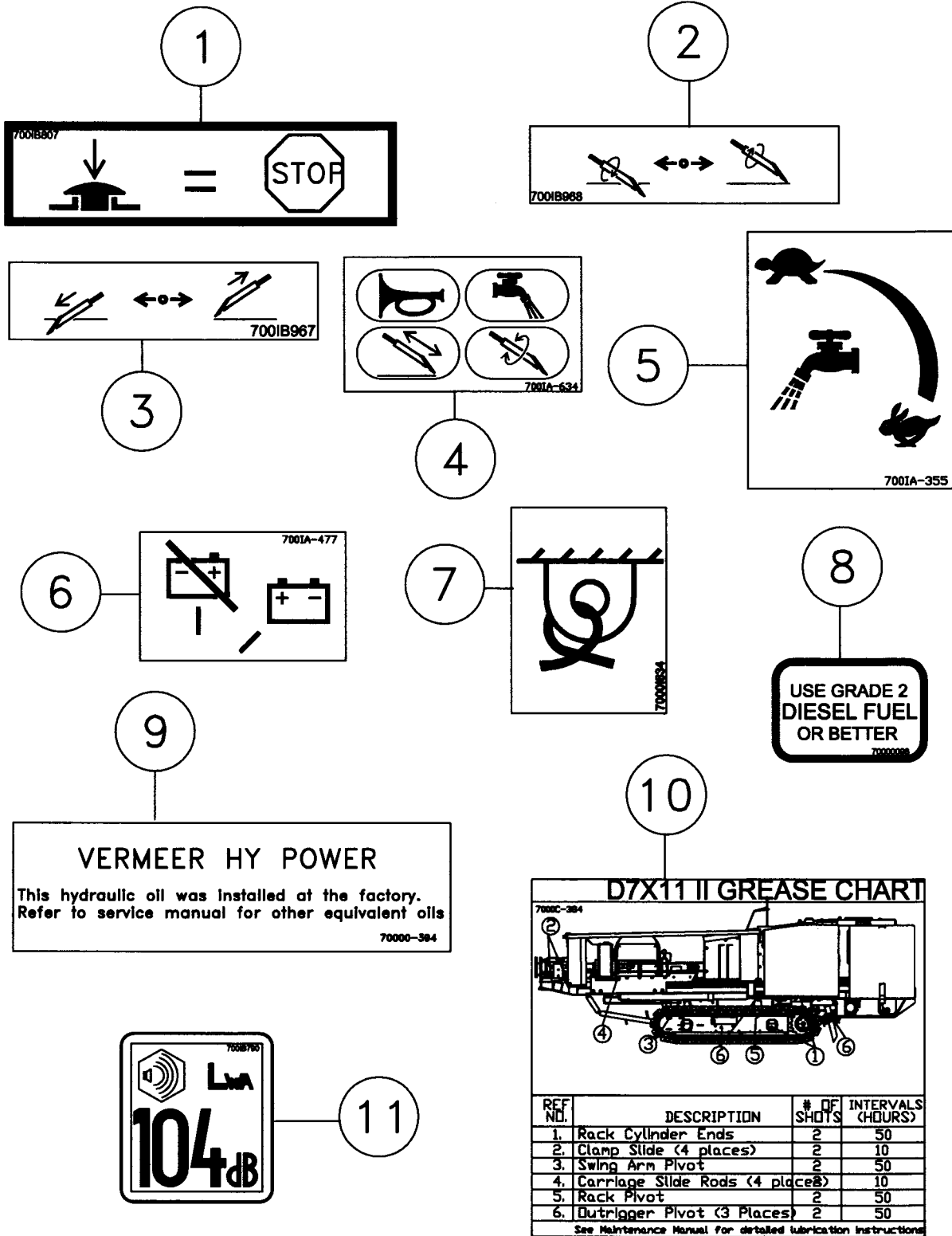
Decals - Domestic Fig 1-4



## Decals - Domestic Fig 1-4

REF. NO.	*	PART NO.	DESCRIPTION	QTY.	REMARKS
1		2326315	DECAL-WARNING	1	
2		7000A576	DECAL-DANGER	3	
3		7000B304	DECAL - WARNING	1	
4		2326324	DECAL-WARNING/REFUEL	1	
5		7000A528	DECAL-WARNING	1	
6		70000530	DECAL-DANGER	1	

Decals - Domestic Fig 1-5

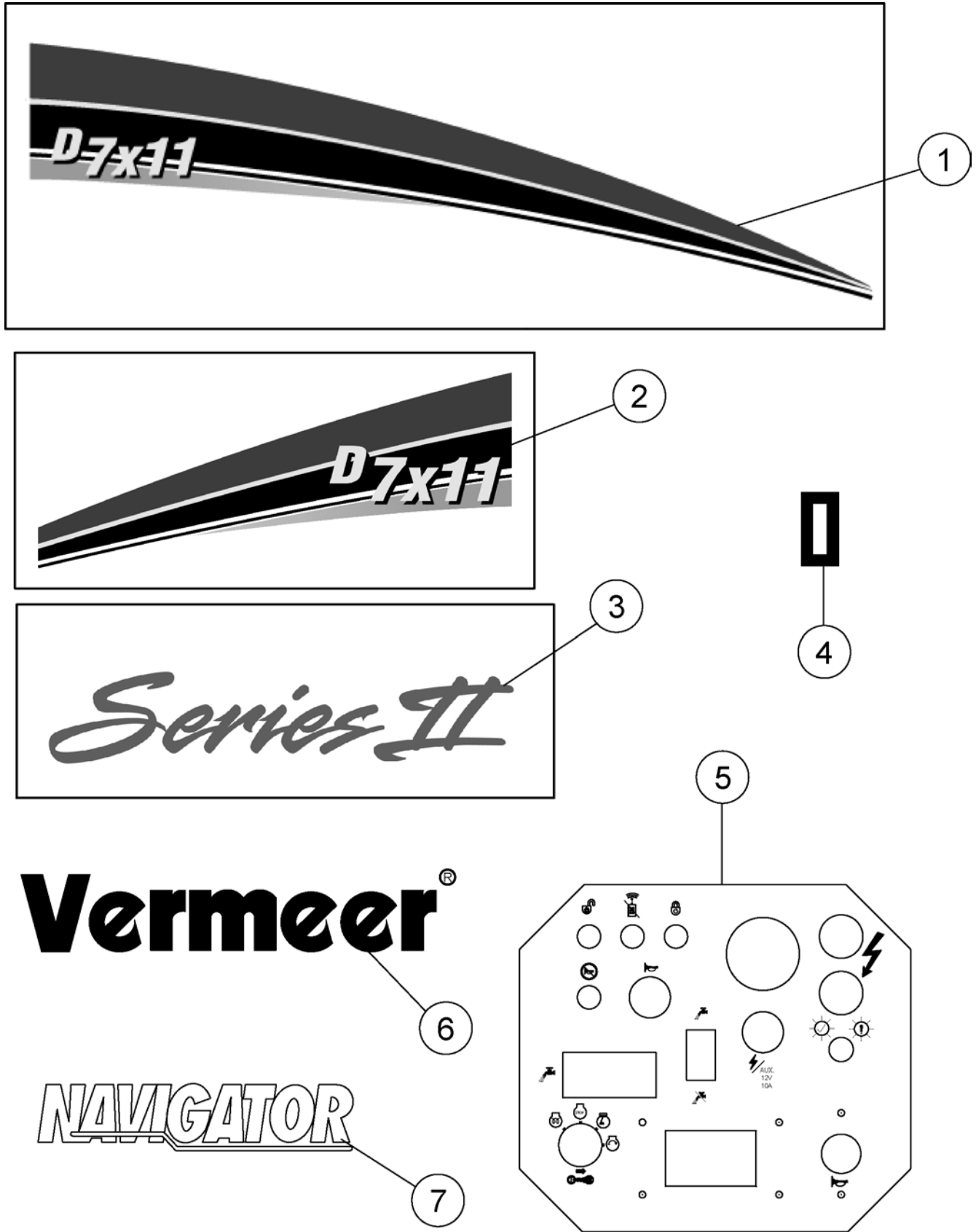




## Decals - Domestic Fig 1-5

REF. NO.	*	PART NO.	DESCRIPTION	QTY.	REMARKS
		Revision Date	September, 2007		Added Decal
1		700IB807	DECAL - E-STOP	2	
2		700IB968	DECAL - LEFT JOYSTICK - ROTATION	1	
3		700IB967	DECAL - RIGHT JOYSTICK - THRUST	1	
4		700IA634	DECAL-GAUGES	1	
5		700IA355	DECAL-DRILLING FLUIDSPEED(UND)	1	
6		700IA477	DECAL_BATTERY SWITCH (UG)	1	
7		7000I834	DECAL - TIE DOWN POINT	5	
8		70000098	DECAL-DIESEL (AT/UND)	1	
9		70000394	DECAL-VERMEER HY POWER	1	
10		7000C384	DECAL- D7X11II GREASE CHART	1	
11	*	700IB790	DECAL - SOUND POWER LEVEL (104)	1	

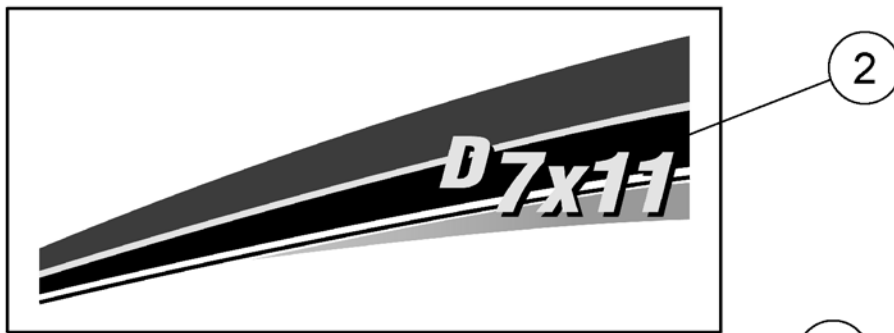
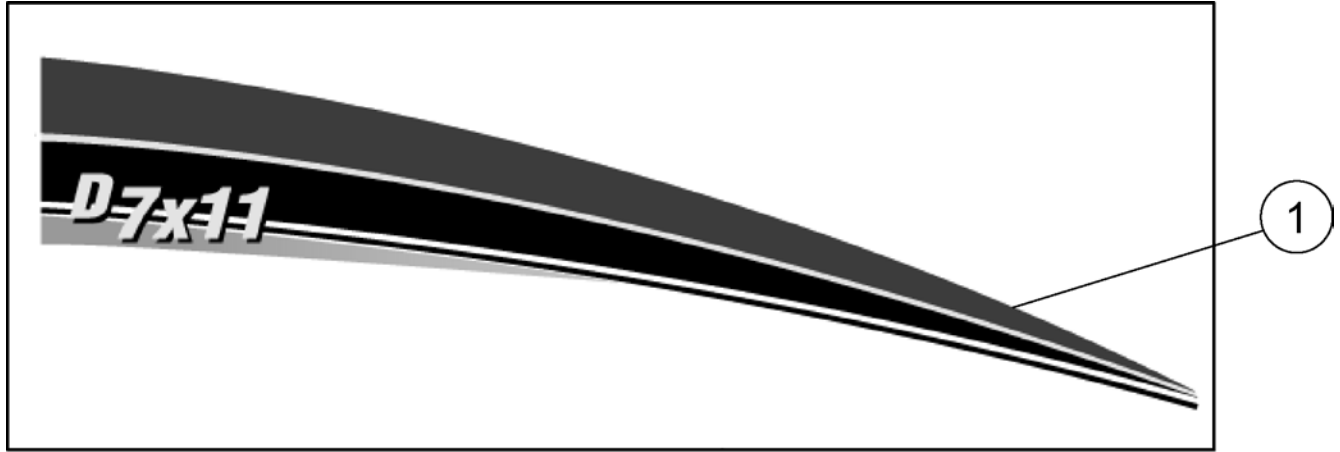
Decals - International (S/N 710-) Fig 1-6r03



## Decals - International (S/N 710-) Fig 1-6r03

REF. NO.	*	PART NO.	DESCRIPTION	QTY.	REMARKS
		Revision Date	August, 2007		Change Decal Numbers
1	*	7000D626	DECAL - RIGHT STRIPE	1	(S/N 710-)
2		7000D171	DECAL - LEFT STRIPE	1	(S/N 647-)
3		7000C325	DECAL - SERIES II (10")	2	
4		2326142	DECAL-INDICATOR	A/R	P/N Qty. Of 1 = 1 Inch
5		700IC289	DECAL - CONSOLE	1	(S/N 101-331)
		700IC518	DECAL - CONSOLE	1	(S/N 332-)
6		2326595	DECAL VERMEER- 4 1/2 X 24	1	
		2326619	DECAL- VERMEER 3 X 15	1	
7		70000614	DECAL-MODEL NAVIGATOR (BIG)	1	
		7000A010	DECAL-MODEL NAVIGATOR(MEDIUM)	1	

Decals - International Fig 1-6r02

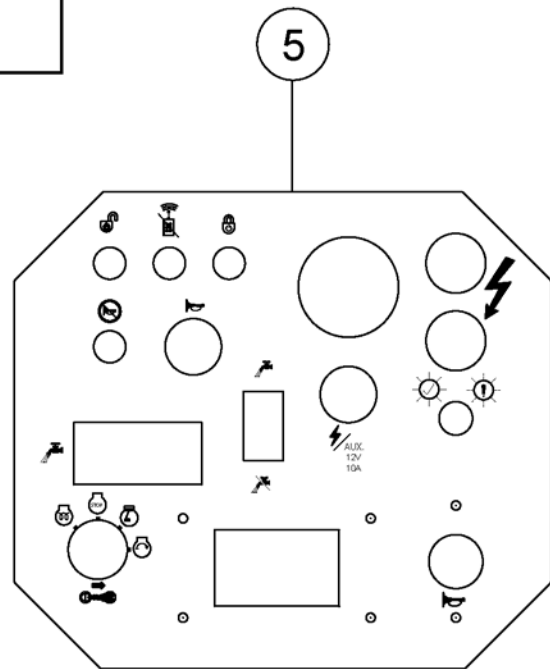


**Vermeer<sup>®</sup>**

6

**NAVIGATOR**

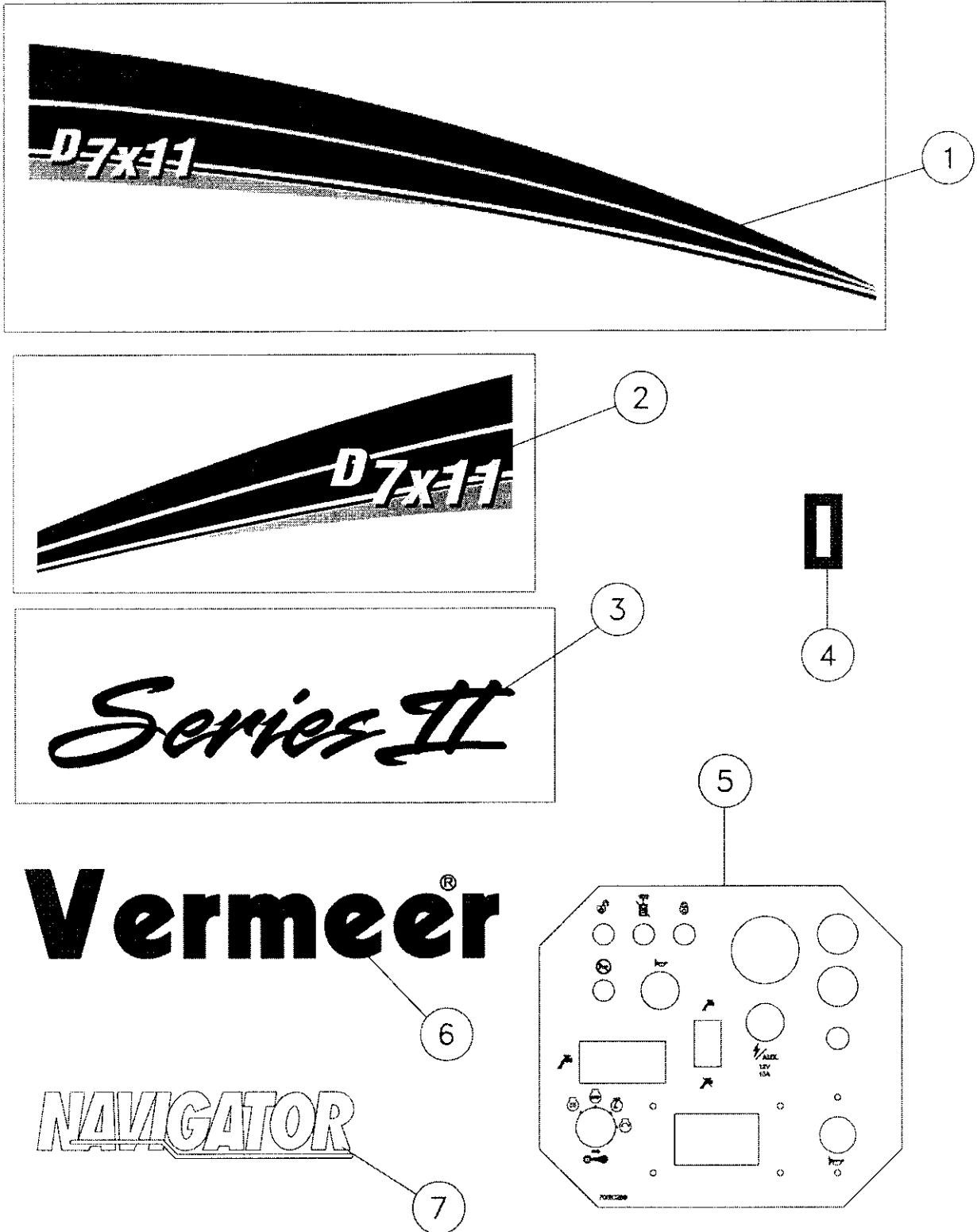
7



## Decals - International Fig 1-6r02

REF. NO.	*	PART NO.	DESCRIPTION	QTY.	REMARKS
		Revision Date	December, 2006		Corrected Part Numbers
1	*	7000C323	DECAL - RIGHT STRIPE	1	
2	*	7000C324	DECAL - LEFT STRIPE	1	
3	*	7000C325	DECAL - SERIES II (10")	2	
4		2326142	DECAL-INDICATOR	A/R	P/N Qty. Of 1 = 1 Inch
5		700IC289	DECAL - CONSOLE	1	(S/N 101-331)
		700IC518	DECAL - CONSOLE	1	(S/N 332-)
6		2326595	DECAL VERMEER- 4 1/2 X 24	1	
		2326619	DECAL- VERMEER 3 X 15	1	
7		70000614	DECAL-MODEL NAVIGATOR (BIG)	1	
		7000A010	DECAL-MODEL NAVIGATOR(MEDIUM)	1	

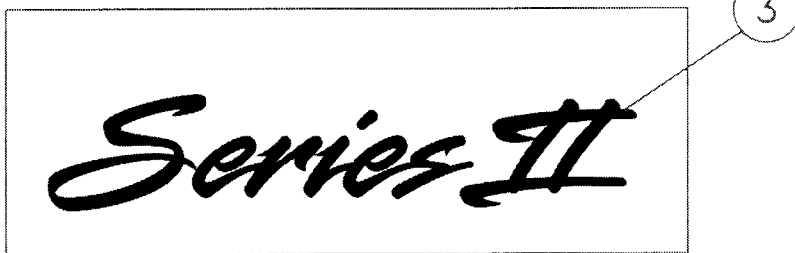
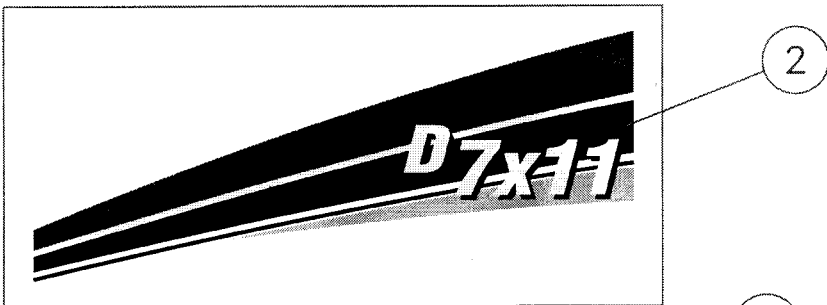
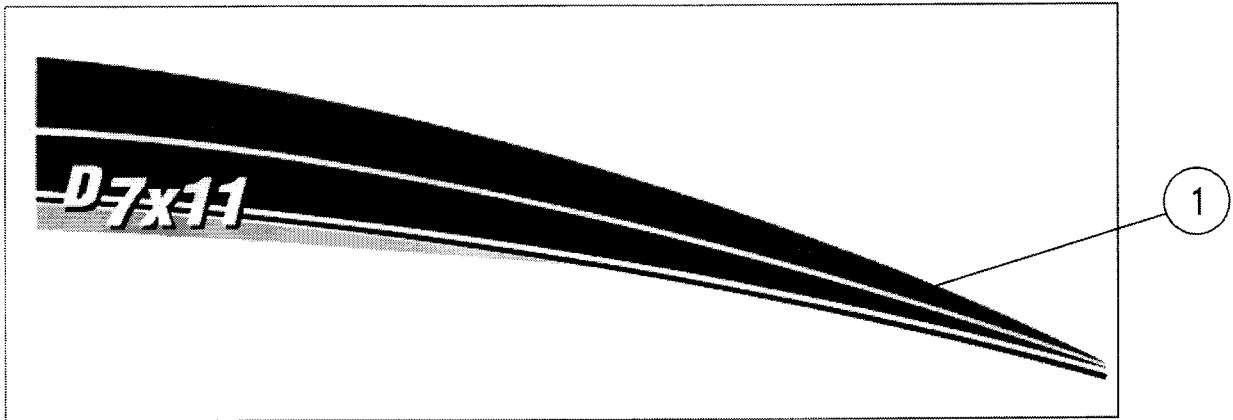
Decals - International Fig 1-6r01



## Decals - International Fig 1-6r01

REF. NO.	*	PART NO.	DESCRIPTION	QTY.	REMARKS
		Revision Date	March, 2005		Update In Illustration.
1		700C323	DECAL - RIGHT STRIPE	1	
2		700C324	DECAL - LEFT STRIPE	1	
3		700C325	DECAL - SERIES II (10")	2	
4		2326142	DECAL-INDICATOR	A/R	P/N Qty. Of 1 = 1 Inch
5		700IC289	DECAL - CONSOLE	1	
6		2326595	DECAL VERMEER- 4 1/2 X 24	1	
		2326619	DECAL- VERMEER 3 X 15	1	
7		70000615	DECAL-MODEL NAVIGATOR (SMALL)	1	
		7000A010	DECAL-MODEL NAVIGATOR(MEDIUM)	1	

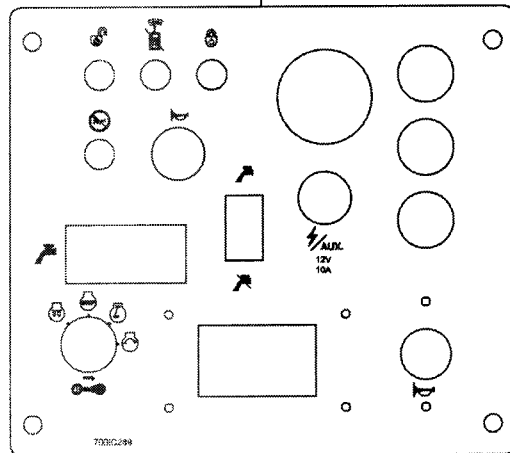
Decals - International Fig 1-6



**Vermeer<sup>®</sup>**



**NAVIGATOR**





## Decals - International Fig 1-6

REF. NO.	*	PART NO.	DESCRIPTION	QTY.	REMARKS
1		700C323	DECAL - RIGHT STRIPE	1	
2		700C324	DECAL - LEFT STRIPE	1	
3		700C325	DECAL - SERIES II (10")	2	
4		2326142	DECAL-INDICATOR	A/R	P/N Qty. Of 1 = 1 Inch
5		700IC289	DECAL - CONSOLE	1	
6		2326595	DECAL VERMEER- 4 1/2 X 24	1	
		2326619	DECAL- VERMEER 3 X 15	1	
7		70000615	DECAL-MODEL NAVIGATOR (SMALL)	1	
		7000A010	DECAL-MODEL NAVIGATOR(MEDIUM)	1	

Decals - International Fig 1-7r02

**Notice • Avis • Hinweis • Avviso • Aviso •**

If you purchased this product as used equipment, you can receive a FREE Operator's Manual by contacting:

Si vous avez acheté cet équipement d'occasion, vous pouvez recevoir un manuel de l'opérateur GRATUIT en composant le:

Wenn Sie diese Maschine gebraucht erworben haben, können Sie eine KOSTENLOSE Betriebsanleitung wie folgt anfordern:

Se si è comprata la presente macchina usata, si può ricevere una copia del manuale dell'operatore IN OMAGGIO, contattando:

Si este producto que ha comprado es un equipo usado, puede recibir un manual del operador GRATUITO llamando al:

• • • • •

**Vermeer Manufacturing Company**  
**ATTN: Customer Data Department**  
 1210 Vermeer Road East, PO BOX 200  
 Pella, IA 50219 USA  
 800-829-0051 or 641-628-3141  
 Telephone: English speaking only  
 Téléphone: en anglais uniquement  
 Telefon: Nur in Englischer Sprache  
 Telefono: tutte le comunicazioni saranno in inglese  
 Teléfono: en inglés solamente

• • • • •

OR by completing and mailing the Used Equipment Registration Form enclosed in the Operator's Manual.  
 OU en remplissant et en envoyant le formulaire d'enregistrement de l'équipement d'occasion inclus dans le manuel de l'opérateur.  
 ODER das in der Betriebsanleitung enthaltene Formular zur Registrierung gebrauchter Ausrüstung ausfüllen und einsenden.  
 OPPURE compilando e spedendo il modulo di registrazione per macchinari usati, accluso al manuale dell'operatore.  
 O rellenando y enviando por correo el impreso de registro de equipos usados incluido en el manual del operador.

1      2

**This product may be covered by one or more of the following patents:**

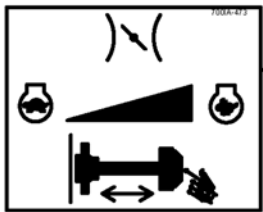
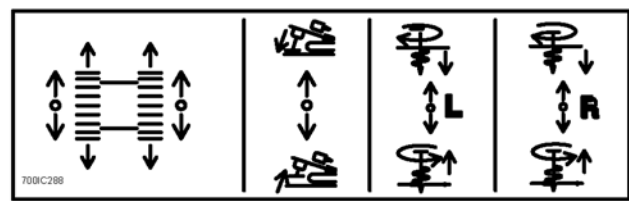
AU 756,936	US 5,590,041	US 6,195,922	US 6,477,795
CA D 79,593	US 5,607,280	US 6,247,544	US 6,484,818
DE 696 11 846	US 5,611,496	US 6,289,997	US 6,491,115
DE 202 14 959.5	US 5,657,803	US 6,308,787	US 6,497,296
DE Des. 96 006 85.4	US 5,659,985	US 6,315,062	US 6,511,260
EP 772,543	US 5,687,807	US 6,332,502	US 6,516,899
EP 830,522	US 5,692,548	US 6,357,537	US 6,517,733
EP 885,343	US 5,692,549	US 6,360,830	US 6,533,046
EP 1,153,194	US 5,704,142	US 6,367,564	US 6,533,052
GB 2,053,636	US 5,720,354	US 6,374,928	US 6,554,082
HK 1015859	US 5,746,278	US 6,382,330	US 6,557,651
RU 2,158,952	US 5,768,811	US 6,389,360	US 6,577,954
US Des. 308,682	US 5,778,991	US 6,390,207	US 6,585,062
US Des. 396,837	US 5,819,859	US 6,408,952	US 6,588,516
US 4,848,423	US 5,845,689	US 6,408,954	US 6,651,755
US 5,205,181	US 5,904,210	US 6,412,715	US 6,659,202
US 5,219,380	US 5,944,121	US 6,422,495	US 6,668,946
US 5,237,888	US 5,950,942	US 6,435,286	US 6,684,538
US 5,291,964	US 6,014,996	US 6,439,319	US 6,701,647
US 5,509,220	US 6,050,350	US 6,446,365	US 6,719,069
US 5,544,055	US 6,109,367	US 6,446,889	US 6,725,579
US 5,553,407	US 6,119,376	US 6,454,025	US 6,729,050
US 5,556,253	US 6,138,932	US 6,470,976	
US 5,574,642	US 6,154,987	US 6,474,931	
US 5,588,474	US 6,161,630	US 6,474,932	

WITH INTERNATIONAL PATENTS

**This product may be covered by one or more of the following licensed patents:**

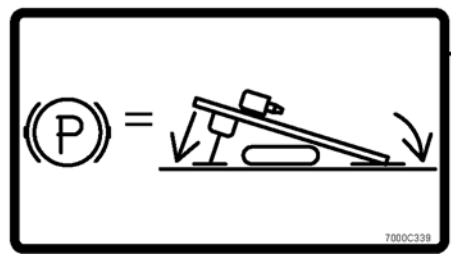
US 4,694,913	US 4,867,255	US 5,148,880
US 4,858,704	US 4,953,638	US 5,799,740

(OTHER U.S. AND FOREIGN PATENTS PENDING)



START	1 START RELAY
	2 E-STOP
RUN	3 AUX
	4 DSR
RL HYD ENABLE	5 LOCKOUT/ FLOWMTR
	6 HYD FAN
SEAT	7 SPARE
	8 SPARE
	9 SPARE
	10 SPARE
WATER/ VISE	

7000C528



Roadway travel.	Close and latch rod box cover.

7000C340

## Decals - International Fig 1-7r02

REF. NO.	*	PART NO.	DESCRIPTION	QTY.	REMARKS
		Revision Date	October, 2005		Update In Illus & Parts List.
1		2326940	DECAL-NOTICE TO OWNERS	1	
2		7000B119	DECAL - PATENT INDUSTRIAL	1	
3		700IC288	DECAL - REAR CONTROL	1	
4		700IA473	DECAL-THROTTLE (UG)	1	
5		700IC443	DECAL - JOYSTICK	1	S/N 179 & Up
6		7000C339	DECAL - PARKING	1	
7		7000C340	DECAL - ROD BOX	1	
8	*	7000C528	DECAL - RELAY/FUSE PANEL	1	PN Change

Decals - International Fig 1-7r01

**Notice · Avis · Hinweis · Avviso · Aviso ·**

If you purchased this product as used equipment, you can receive a FREE Operator's Manual by contacting:

Si vous avez acheté cet équipement d'occasion, vous pouvez recevoir un manuel de l'opérateur GRATUIT en composant le:

Wenn Sie diese Maschine gebraucht erworben haben, können Sie eine KOSTENLOSE Betriebsanleitung wie folgt anfordern:

Se si è comprata la presente macchina usata, si può ricevere una copia del manuale dell'operatore IN OMAGGIO, contattando:

Si este producto que ha comprado es un equipo usado, puede recibir un manual del operador GRATUITO llamando al:

\* \* \* \* \*

**Vermeer Manufacturing Company**  
 ATTN: Customer Data Department  
 1210 Vermeer Road East, PO BOX 200  
 Pella, IA 50219 USA  
 800-829-0051 or 641-628-3141  
 Telephone: English speaking only  
 Téléphone: en anglais uniquement  
 Telefon: Nur in Englischer Sprache  
 Telefono: tutte le comunicazioni saranno in inglese  
 Teléfono: en inglés solamente

\* \* \* \* \*

OR by completing and mailing the Used Equipment Registration Form enclosed in the Operator's Manual.  
 OU en remplissant et en envoyant le formulaire d'enregistrement de l'équipement d'occasion inclus dans le manuel de l'opérateur.  
 ODER das in der Betriebsanleitung enthaltene Formular zur Registrierung gebrauchter Ausrüstung ausfüllen und einsenden.  
 OPPURE compilando e spedendo il modulo di registrazione per macchinari usati, accluso al manuale dell'operatore.  
 O rellenando y enviando por correo el impreso de registro de equipos usados incluido en el manual del operador.

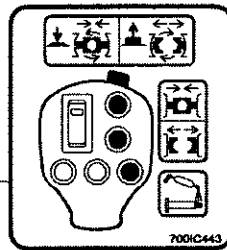
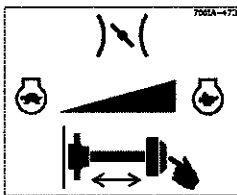
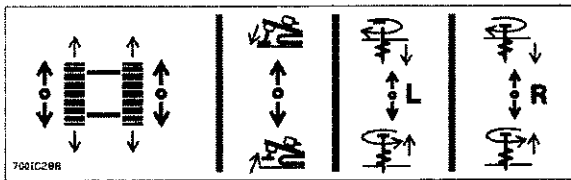
This product may be covered by one or more of the following patents:

AU 756,926	US 5,590,041	US 6,195,922	US 6,477,795
CA D 79,563	US 5,607,280	US 6,247,544	US 6,484,818
DE 896 11 846	US 5,611,496	US 6,289,997	US 6,491,115
DE 202 14 069.5	US 5,657,803	US 6,308,787	US 6,497,296
DE Des. 96 006 05.4	US 5,659,985	US 6,315,062	US 6,511,260
EP 772,543	US 5,687,807	US 6,332,502	US 6,516,899
EP 830,522	US 5,692,548	US 6,357,537	US 6,517,733
EP 885,343	US 5,692,549	US 6,360,830	US 6,533,046
EP 1,153,194	US 5,704,142	US 6,367,564	US 6,533,052
GB 2,053,636	US 5,720,354	US 6,374,928	US 6,554,082
HK 1015859	US 5,746,278	US 6,382,330	US 6,557,651
RU 2,158,952	US 5,768,811	US 6,389,360	US 6,577,954
US Des. 308,682	US 5,778,991	US 6,390,207	US 6,585,062
US Des. 396,837	US 5,819,859	US 6,408,952	US 6,588,516
US 4,848,423	US 5,845,689	US 6,408,954	US 6,651,755
US 5,205,181	US 5,904,210	US 6,412,715	US 6,659,202
US 5,219,380	US 5,944,121	US 6,422,495	US 6,668,946
US 5,237,888	US 5,950,942	US 6,435,286	US 6,684,538
US 5,291,964	US 6,014,996	US 6,439,319	US 6,701,647
US 5,509,220	US 6,050,350	US 6,446,365	US 6,719,069
US 5,544,055	US 6,109,367	US 6,446,889	US 6,725,579
US 5,553,407	US 6,119,376	US 6,454,025	US 6,729,050
US 5,556,253	US 6,138,932	US 6,470,976	
US 5,574,642	US 6,154,987	US 6,474,931	
US 5,588,474	US 6,161,630	US 6,474,932	

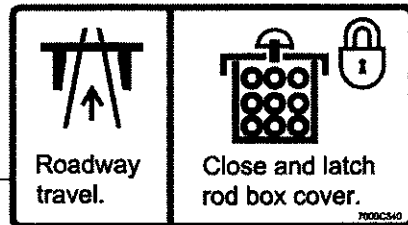
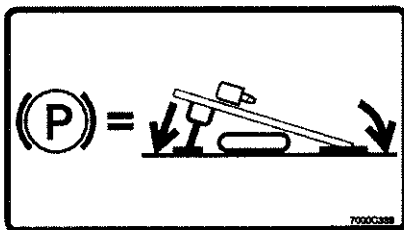
THIS PRODUCT MAY BE COVERED BY ONE OR MORE OF THE FOLLOWING LICENSED PATENTS:

US 4,694,913	US 4,867,255	US 5,148,880
US 4,858,704	US 4,953,638	US 5,799,740

(OTHER U.S. AND FOREIGN PATENTS PENDING)



- |               |                   |
|---------------|-------------------|
| START         | 1 START RELAY     |
|               | 2 E-STOP          |
|               | 3 AUX             |
|               | 4 DSR             |
|               | 5 LOCKOUT/FLOWMTR |
| RL HYD ENABLE | 6 HYD FAN         |
|               | 7 SPARE           |
| SEAT          | 8 SPARE           |
|               | 9 SPARE           |
| SPARE         | 10 SPARE          |
- 7000C421



## Decals - International Fig 1-7r01

REF. NO.	*	PART NO.	DESCRIPTION	QTY.	REMARKS
		Revision Date	March, 2005		Update In Illustration & Parts List.
1		2326940	DECAL-NOTICE TO OWNERS	1	
2		7000B119	DECAL - PATENT INDUSTRIAL	1	
3		700IC288	DECAL - REAR CONTROL	1	
4		700IA473	DECAL-THROTTLE (UG)	1	
5		700IC443	DECAL - JOYSTICK	1	S/N 179 & Up
6		7000C339	DECAL - PARKING	1	
7		7000C340	DECAL - ROD BOX	1	
8		7000C421	DECAL - RELAY/FUSE PANEL	1	

Decals - International Fig 1-7

**Notice · Avis · Hinweis · Avviso · Aviso ·**

If you purchased this product as used equipment, you can receive a FREE Operator's Manual by contacting:

Si vous avez acheté cet équipement d'occasion, vous pouvez recevoir un manuel de l'opérateur GRATUIT en composant le:

Wenn Sie diese Maschine gebraucht erworben haben, können Sie eine KOSTENLOSE Betriebsanleitung wie folgt anfordern:

Se si è comprata la presente macchina usata, si può ricevere una copia del manuale dell'operatore IN OMAGGIO, contattando:

Si este producto que ha comprado es un equipo usado, puede recibir un manual del operador GRATUITO llamando al:

\* \* \* \* \*

**Vermeer Manufacturing Company**  
 ATTN: Customer Data Department  
 1210 Vermeer Road East, PO BOX 200  
 Pella, IA 50219 USA  
 800-828-0051 or 641-628-3141  
 Telephone: English speaking only  
 Téléphone: en anglais uniquement  
 Telefon: Nur in Englischer Sprache  
 Telefono: tutte le comunicazioni saranno in inglese  
 Teléfono: en inglés solamente

\* \* \* \* \*

OR by completing and mailing the Used Equipment Registration Form enclosed in the Operator's Manual.  
 OU en remplissant et en envoyant le formulaire d'enregistrement de l'équipement d'occasion inclus dans le manuel de l'opérateur.  
 ODER das in der Betriebsanleitung enthaltene Formular zur Registrierung gebrauchter Ausrüstung ausfüllen und einsenden.  
 OPPURE compilando e spedendo il modulo di registrazione per macchinari usati, accluso al manuale dell'operatore.  
 O rellenando y enviando por correo el impreso de registro de equipos usados incluido en el manual del operador.

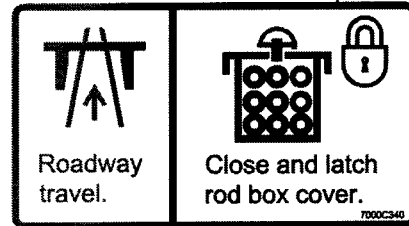
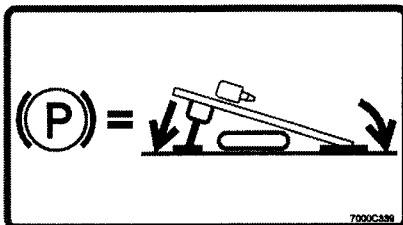
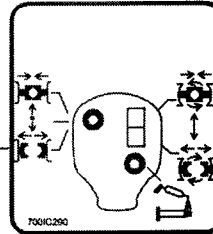
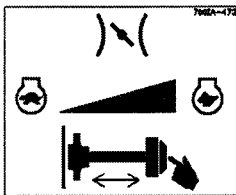
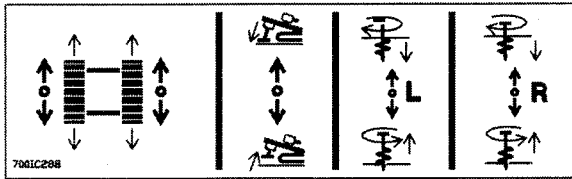
This product may be covered by one or more of the following patents:

AU 796,936	US 5,590,041	US 6,195,922	US 6,477,795
CA 2 79,583	US 5,607,260	US 6,247,544	US 6,484,818
DE 698 11 846	US 5,611,496	US 6,289,997	US 6,491,115
DE 202 14 958.5	US 5,657,803	US 6,308,787	US 6,497,296
DE Des. 98 006 85.4	US 5,659,985	US 6,315,062	US 6,511,260
EP 772,543	US 5,687,807	US 6,332,502	US 6,516,899
EP 830,522	US 5,692,548	US 6,357,537	US 6,517,733
EP 885,343	US 5,692,549	US 6,360,830	US 6,533,046
EP 1,153,194	US 5,704,142	US 6,367,564	US 6,533,052
GB 2,053,636	US 5,720,354	US 6,374,928	US 6,534,082
HK 1013859	US 5,746,278	US 6,382,330	US 6,537,651
RU 2,159,952	US 5,768,811	US 6,389,360	US 6,577,954
US Des. 308,682	US 5,778,991	US 6,390,207	US 6,585,862
US Des. 396,837	US 5,819,859	US 6,408,952	US 6,588,516
US 4,848,423	US 5,845,689	US 6,408,954	US 6,651,755
US 5,205,181	US 5,904,210	US 6,412,715	US 6,659,202
US 5,219,380	US 5,944,121	US 6,422,495	US 6,668,946
US 5,237,888	US 5,950,942	US 6,435,286	US 6,684,538
US 5,291,964	US 6,014,996	US 6,439,319	US 6,701,647
US 5,509,220	US 6,050,350	US 6,446,365	US 6,719,069
US 5,544,055	US 6,109,367	US 6,446,889	US 6,725,579
US 5,533,407	US 6,119,376	US 6,454,025	US 6,729,050
US 5,556,253	US 6,138,932	US 6,470,976	
US 5,574,642	US 6,134,987	US 6,474,931	
US 5,598,474	US 6,161,630	US 6,474,932	

This product may be covered by one or more of the following licensed patents:

US 4,634,913	US 4,867,255	US 5,148,880
US 4,958,704	US 4,953,638	US 5,799,740

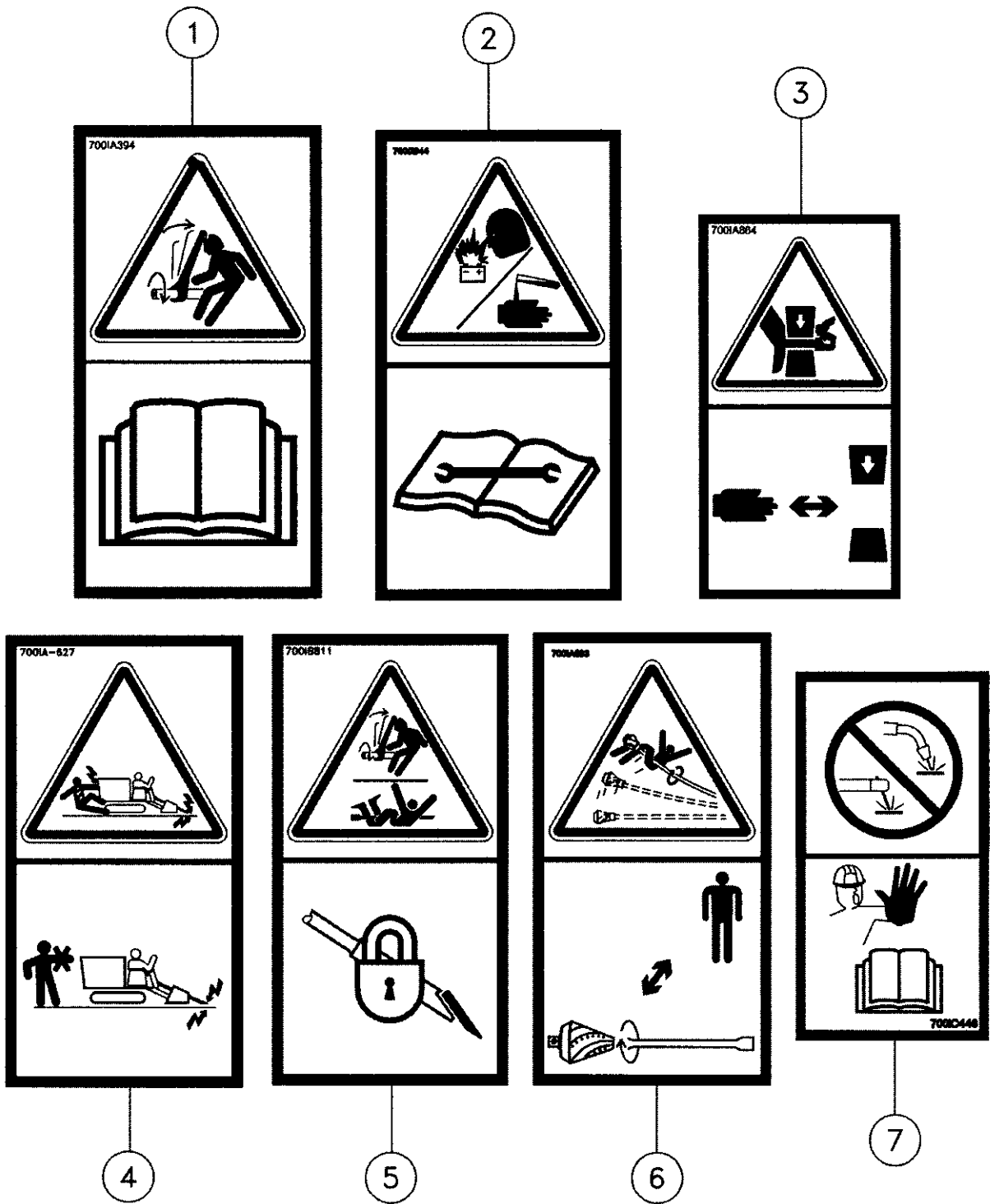
(OTHER U.S. AND FOREIGN PATENTS PENDING)



## Decals - International Fig 1-7

REF. NO.	*	PART NO.	DESCRIPTION	QTY.	REMARKS
1		2326940	DECAL-NOTICE TO OWNERS	1	
2		7000B119	DECAL - PATENT INDUSTRIAL	1	
3		700IC288	DECAL - REAR CONTROL	1	
4		700IA473	DECAL-THROTTLE (UG)	1	
5		700IC290	DECAL - JOYSTICK	1	
6		7000C339	DECAL - PARKING	1	
7		7000C340	DECAL - ROD BOX	1	

Decals - International Fig 1-8r01

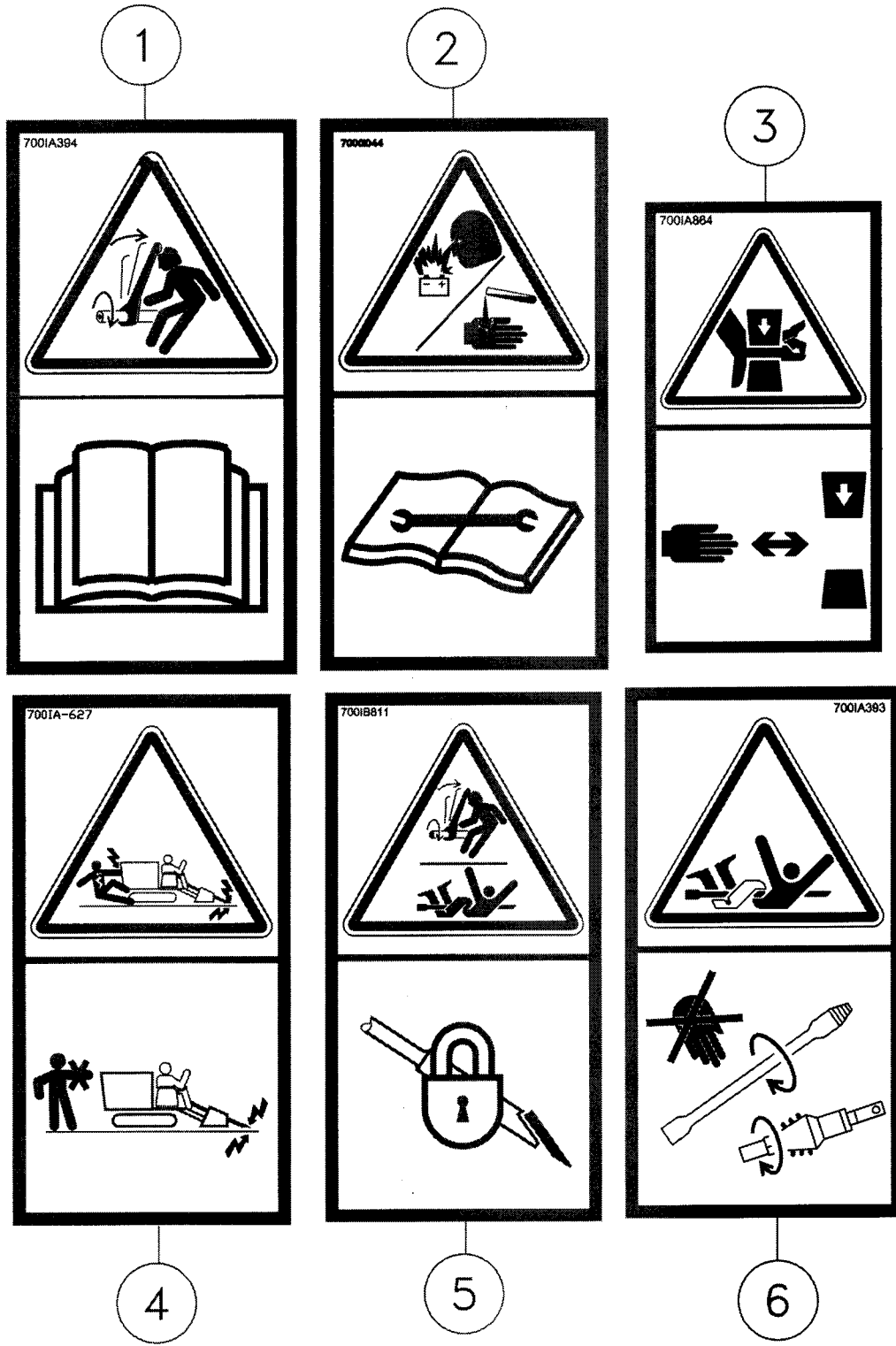




## Decals - International Fig 1-8r01

REF. NO.	*	PART NO.	DESCRIPTION	QTY.	REMARKS
		Revision Date	December, 2006		Added Decal
1		700IA394	DECAL - WARNING	1	
2		700IO44	DECAL-WARNING	1	
3		700IA864	DECAL-WARNING INTERNATIONAL	1	
4		700IA627	DECAL-DANGER	1	
5		700IB811	DECAL - DANGER - RLE INTERNATIONAL	1	
6		700IA393	DECAL - DANGER	1	
7	*	700IC446	DECAL - NO WELD	1	

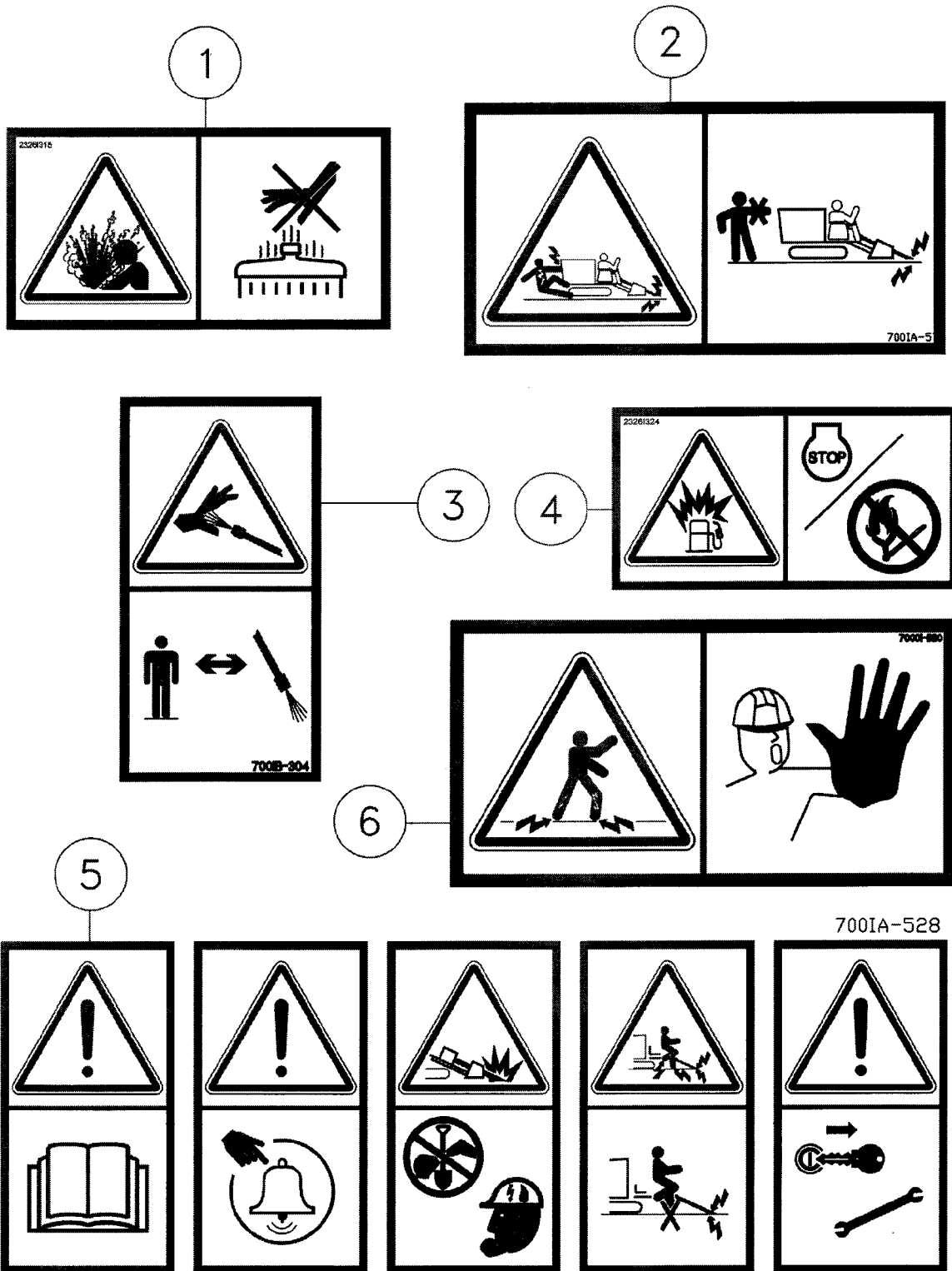
Decals - International Fig 1-8



## Decals - International Fig 1-8

REF. NO.	*	PART NO.	DESCRIPTION	QTY.	REMARKS
1		700IA394	DECAL - WARNING	1	
2		7000I044	DECAL-WARNING	1	
3		700IA864	DECAL-WARNING INTERNATIONAL	1	
4		700IA627	DECAL-DANGER	1	
5		700IB811	DECAL - DANGER - RLE INTERNATIONAL	1	
6		700IA393	DECAL - DANGER	1	

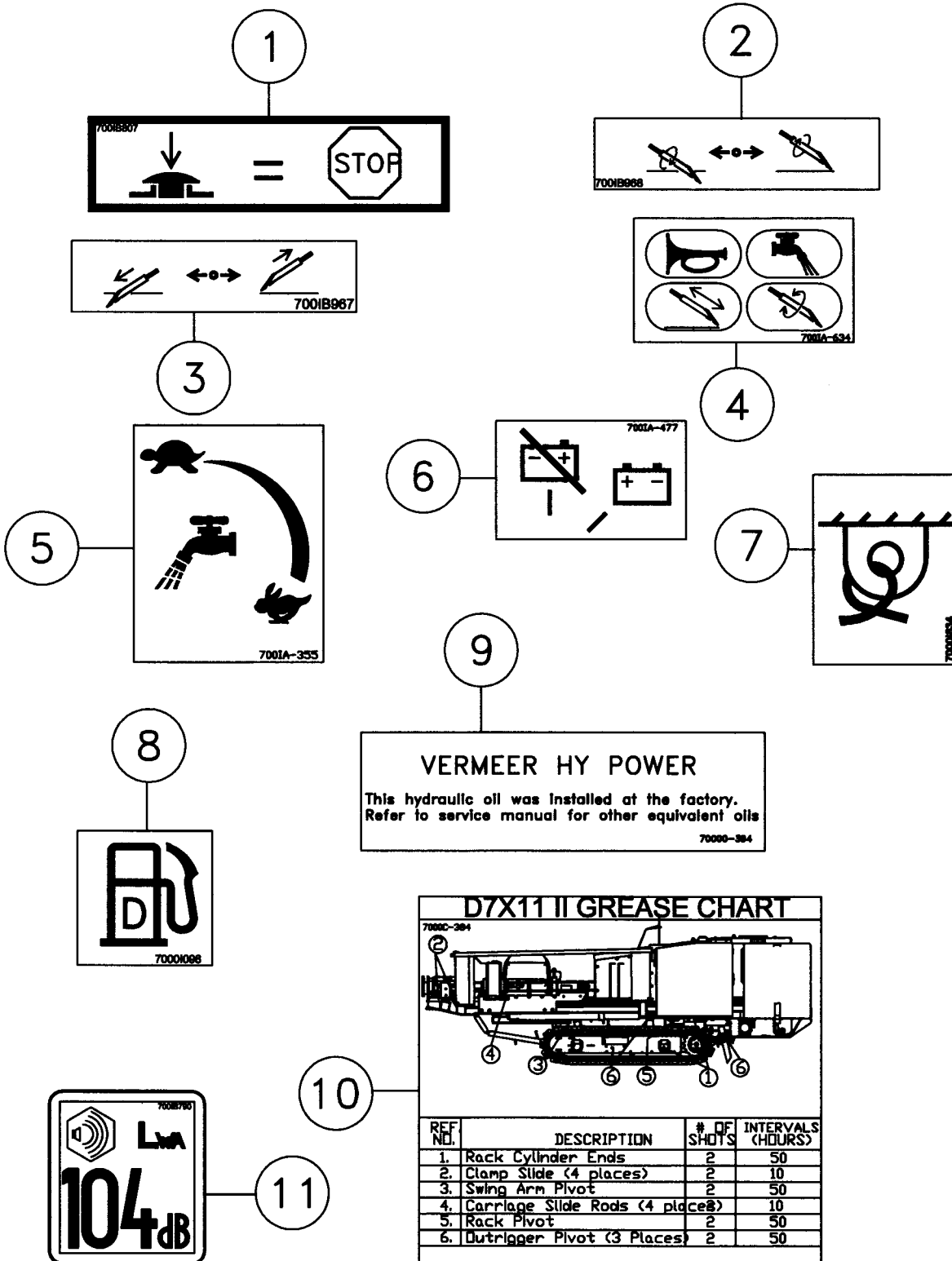
Decals - International Fig 1-9



## Decals - International Fig 1-9

REF. NO.	*	PART NO.	DESCRIPTION	QTY.	REMARKS
1		2326I315	DECAL-WARNING	1	
2		700IA576	DECAL-DANGER	3	
3		700IB304	DECAL - WARNING	1	
4		2326I324	DECAL - WARING EXPLOSION	1	
5		700IA528	DECAL-WARNING	1	
6		7000I530	DECAL-WARNING (NAVIGATORS)	1	

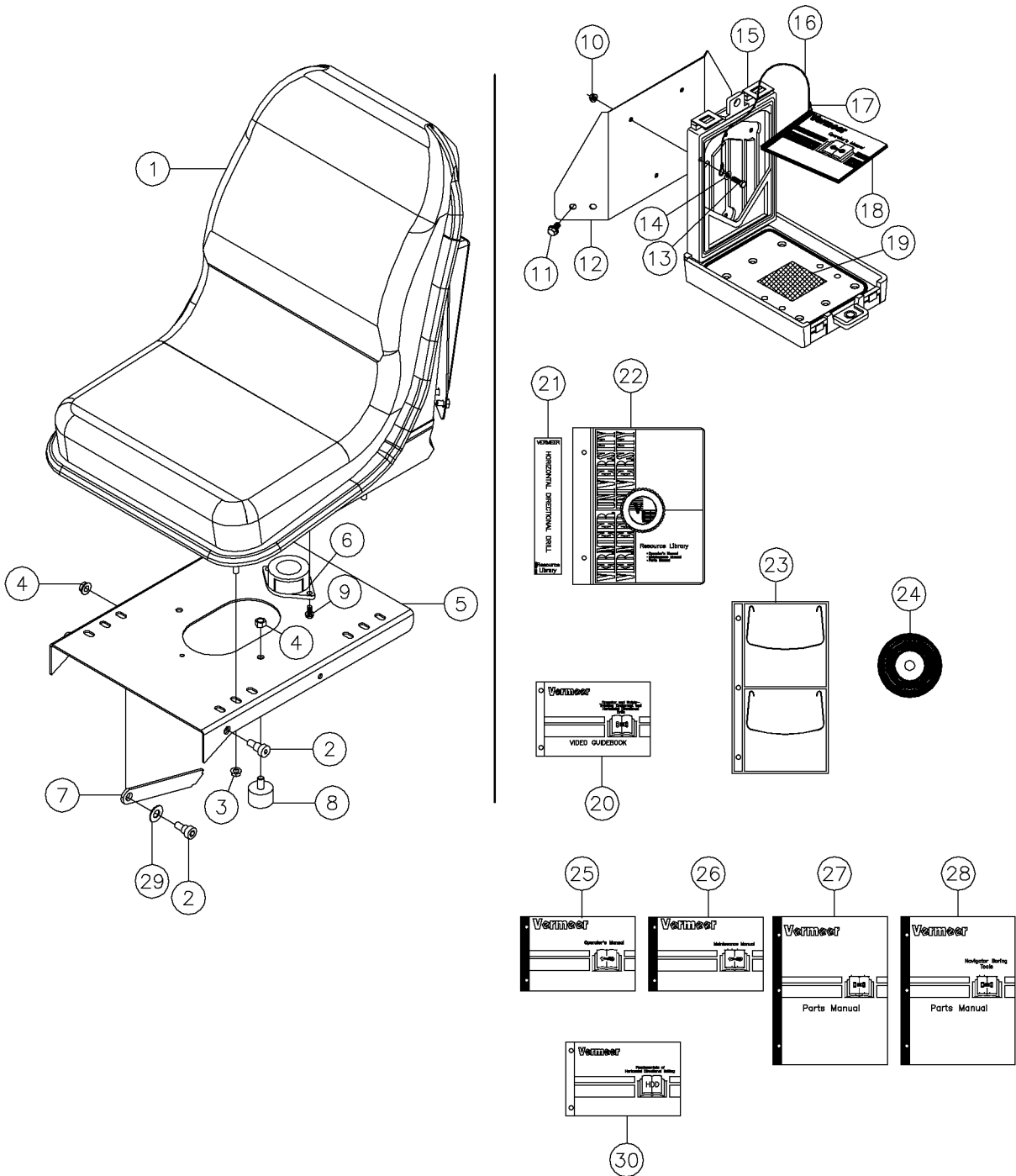
Decals - International Fig 1-10



## Decals - International Fig 1-10

REF. NO.	*	PART NO.	DESCRIPTION	QTY.	REMARKS
		Revision Date	September, 2007		Added Decal
1		700IB807	DECAL - E-STOP	2	
2		700IB968	DECAL - LEFT JOYSTICK - ROTATION	1	
3		700IB967	DECAL - RIGHT JOYSTICK - THRUST	1	
4		700IA634	DECAL-GAUGES	1	
5		700IA355	DECAL-DRILLING FLUIDSPEED(UND)	1	
6		700IA477	DECAL_BATTERY SWITCH (UG)	1	
7		7000I834	DECAL - TIE DOWN POINT	6	
8		7000I098	DECAL-DIESEL FUEL	1	
9		70000394	DECAL-VERMEER HY POWER	1	
10		7000C384	DECAL- D7X11II GREASE CHART	1	
11	*	700IB790	DECAL - SOUND POWER LEVEL (104)	1	

Literature Box/Seat (S/N 589-) Fig 1-11r04

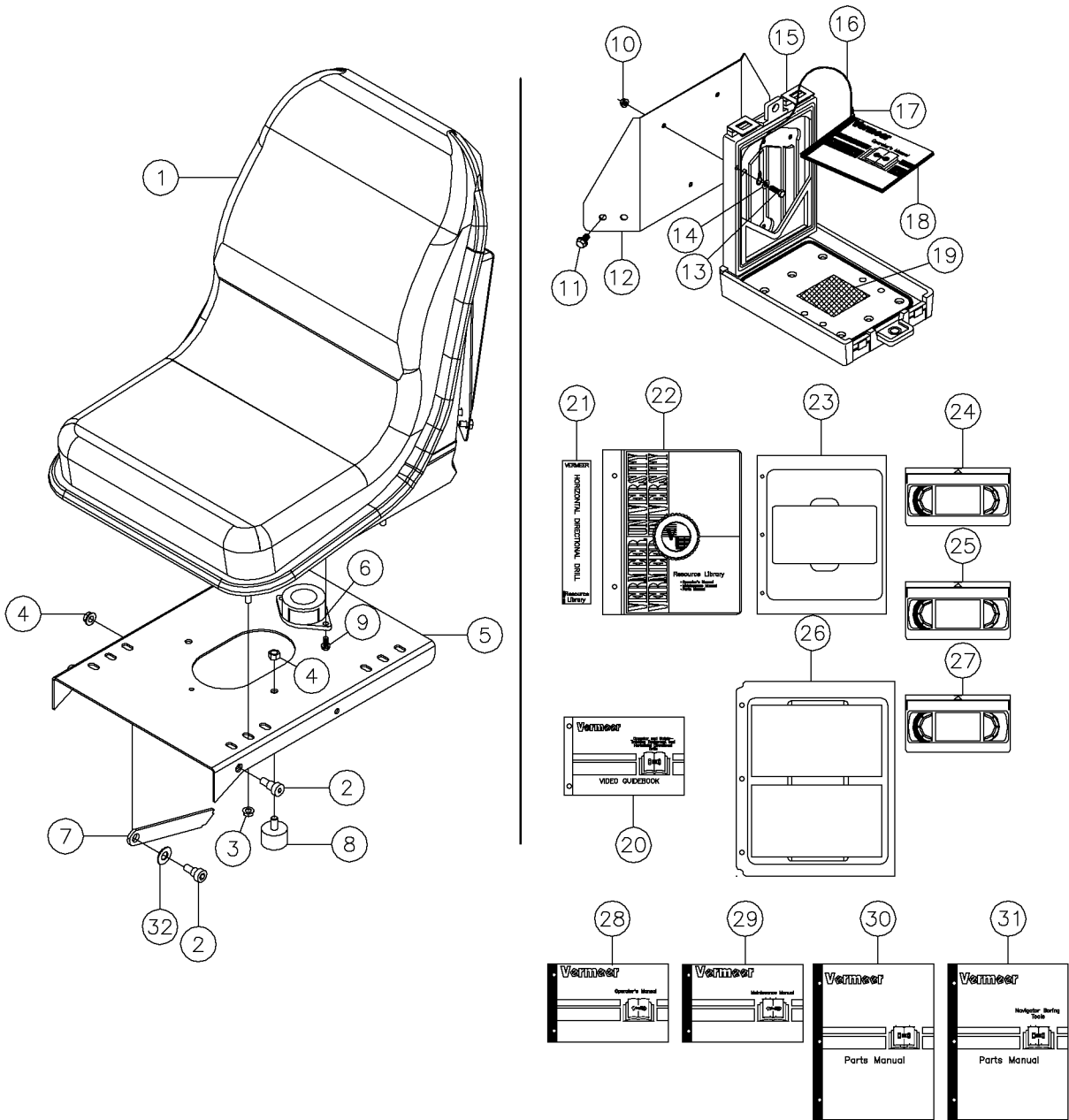




## Literature Box/Seat (S/N 589-) Fig 1-11r04

REF. NO.	*	PART NO.	DESCRIPTION	QTY.	REMARKS
		Revision Date	August, 2007		Add Book, Ref. 30.
1		296274289	SEAT - MILSCO XR210 GRAY	1	
2		296256038	SCREW - SHSS - .50X.38-.38-16 THD-CZ	2	
3		510352507	NUT-SMFLGTL-.31-18-G-YZ	4	
4		1809003	NUT-3/8 SM FLGE T.L.	3	
5		296277713	SEAT BASE WELDMENT	1	
6		219186003	SWITCH-SAFETY	1	
7		296277677	PLATE - SEAT LATCH	1	
8		122474001	MOUNT-SANDWICH SINGLE STUD	2	
9		4473004	1/4-20X1/2 FLGE WHIZ BOLT	2	
10		405001	NUT-1/4 NC FLG WHIZ LOCK	3	
11		4474004	5/16-18X1/2 FLG WHIZ BOLT	4	
12		235683001	MOUNT-MANUAL BOX	1	
13		350004	1/4-20X1/2 HHCS GR5 PLATED	3	
14		485003	WASHER-1/4 FLAT	3	
15		142410001	CASE-6"X9 XCX X1" OPERATOR MANUAL	1	
16		142954001	CABLE-.068DIA.NYLON CT.-36.00	1	
17		142423001	CRIMP-CABLE (FOR.068DIA.CABLE)	1	
18		296278355	MANUAL ASSY-D7X11II OM MINI CABLED )1.00	1	Inc Ref 16-17
		296292767	MANUAL ASSY-D7X11II (SP) CABLED 3.01	1	Spanish - Inc Ref 16-17
19		2326940	DECAL-NOTICE TO OWNERS	1	
20		105400T90	HDD OPERATIONS & SAFETY VIDEO GUIDEBOOK	1	
21		7000B222	DECAL -HORIZONTAL DRILL - RESOURCE LIB.	1	
22		144144001	NOTEBOOK BINDER - 2"-3 XCX	1	
23		180010788	DVD-HOLDER	1	(S/N 589-)
24		296296910	DVD-NTSC VIDEO HDD OPERATIONS&FIRESTICK(INCL SPAN)	1	(S/N 589-)
25		105400W61	OM-7X11II(EN) o1.00	1	
		117000X58	OM-D7X11II (SP) o3.01	1	Spanish
26		105400W63	MM-D7X11II (EN) m1.00	1	
		117000X60	MM-D7X11II (SP) m3.00	1	Spanish
27		105400ZEF	D7X11II NAVIGATOR PM	1	
28		105400T09	PM - NAVIGATOR BORING TOOLS p4.00	1	
29		252253001	WASHER-1/2 SAE FLAT ZP	1	
30	*	105400W26	FUNDAMENTALS OF HDD UP o1.00	1	

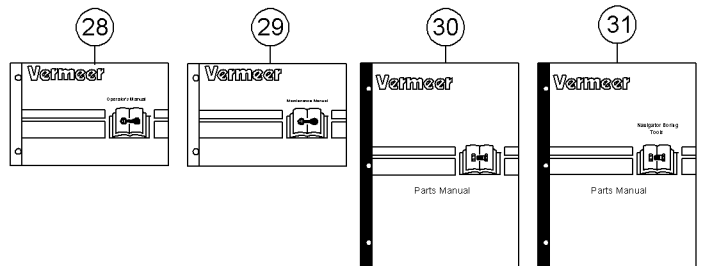
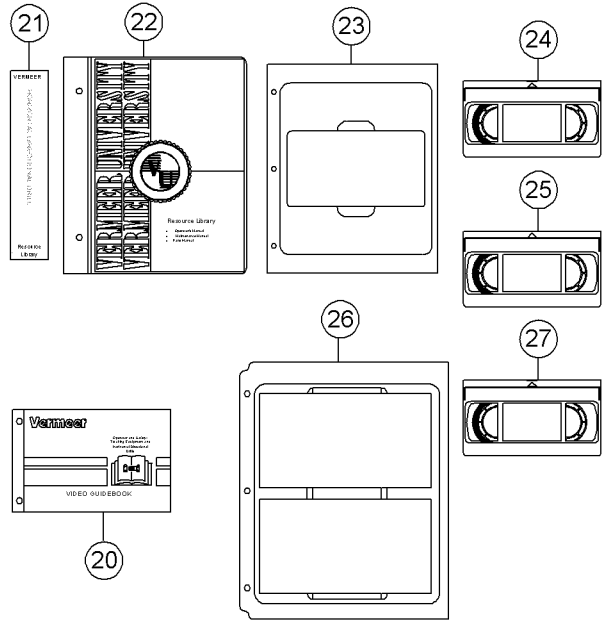
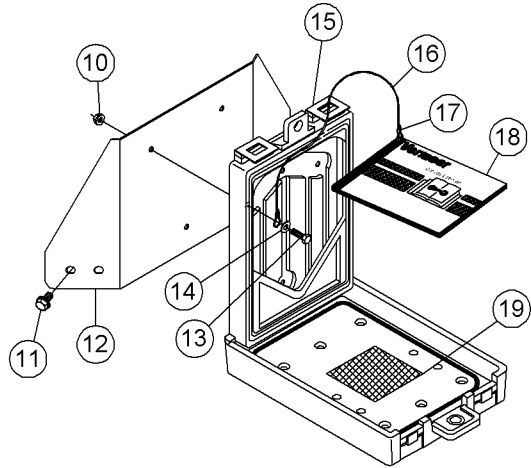
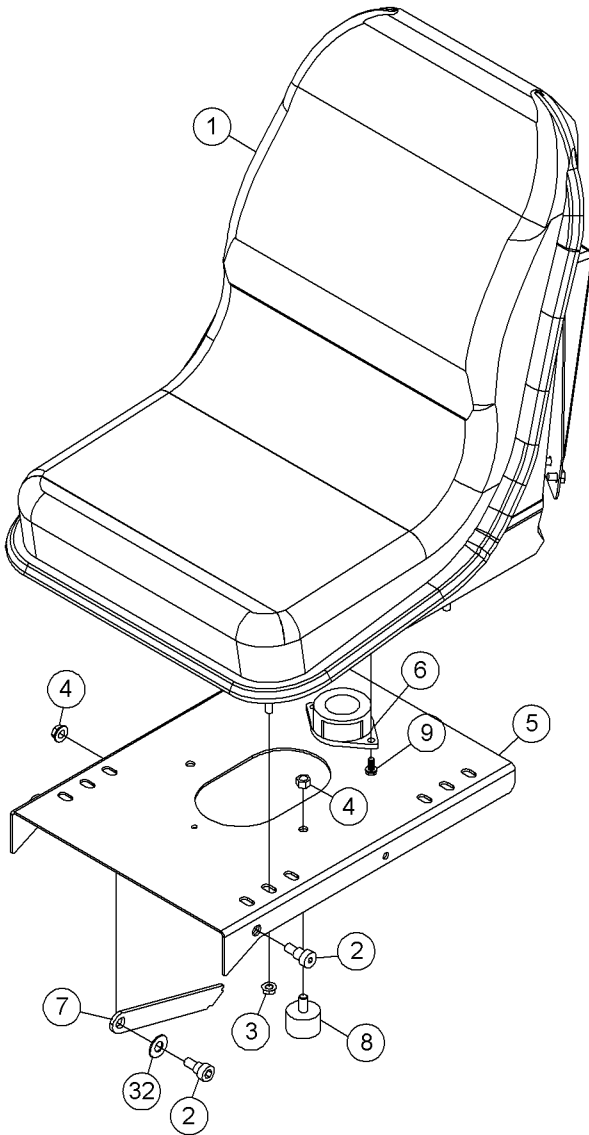
Literature Box/Seat Fig 1-11r03



## Literature Box/Seat Fig 1-11r03

REF. NO.	*	PART NO.	DESCRIPTION	QTY.	REMARKS
		Revision Date	December, 2006		Added Spanish Manuals
1		296274289	SEAT - MILSCO XR210 GRAY	1	
2		296256038	SCREW - SHSS - .50X.38-.38-16 THD-CZ	2	
3		510352507	NUT-SMFLGTL-.31-18-G-YZ	4	
4		1809003	NUT-3/8 SM FLGE T.L.	3	
5		296277713	SEAT BASE WELDMENT	1	
6		219186003	SWITCH-SAFETY	1	
7		296277677	PLATE - SEAT LATCH	1	
8		122474001	MOUNT-SANDWICH SINGLE STUD	2	
9		4473004	1/4-20X1/2 FLGE WHIZ BOLT	2	
10		405001	NUT-1/4 NC FLG WHIZ LOCK	3	
11		4474004	5/16-18X1/2 FLG WHIZ BOLT	4	
12		235683001	MOUNT-MANUAL BOX	1	
13		350004	1/4-20X1/2 HHCS GR5 PLATED	3	
14		485003	WASHER-1/4 FLAT	3	
15		142410001	CASE-6"X9 XCX X1" OPERATOR MANUAL	1	
16		142954001	CABLE-.068DIA.NYLON CT.-36.00	1	
17		142423001	CRIMP-CABLE (FOR.068DIA.CABLE)	1	
18		296278355	MANUAL ASSY-D7X11II OM MINI CABLED )1.00	1	Inc Ref 16-17
	*	296292767	MANUAL ASSY-D7X11II (SP) CABLED 3.01	1	Spanish - Inc Ref 16-17
19		2326940	DECAL-NOTICE TO OWNERS	1	
20		105400T90	HDD OPERATIONS & SAFETY VIDEO GUIDEBOOK	1	
21		7000B222	DECAL -HORIZONTAL DRILL - RESOURCE LIB.	2	
22		144144001	NOTEBOOK BINDER - 2"-3 XCX	2	
23		144145001	VHS - HOLDER	1	
24		251803001	VIDEO - DRILL ROD OPERATION AND MAINTENANCE	1	
25		296264887	VIDEO-OPERATIONS/SAFETY HDD&TRKNG EQUIP	1	
26		151815001	VHS HOLDER DOUBLE	1	
27		296264888	VIDEO - REMOTE LOCKOUT	1	
28		105400W61	OM-7X11II(EN) o1.00	1	
	*	117000X58	OM-D7X11II (SP) o3.01	1	Spanish
29		105400W63	MM-D7X11II (EN) m1.00	1	
	*	117000X60	MM-D7X11II (SP) m3.00	1	Spanish
30		105400ZEF	D7X11II NAVIGATOR PM	1	
31		105400T09	PM - NAVIGATOR BORING TOOLS p4.00	1	
32		252253001	WASHER-1/2 SAE FLAT ZP	1	
		296278356	D7X11II OPERATIONAL LIBRARY	1	Inc Ref 20-28
		296278357	D7X11II TECHNICAL LIBRARY	1	Inc Ref 21-22, 29-31

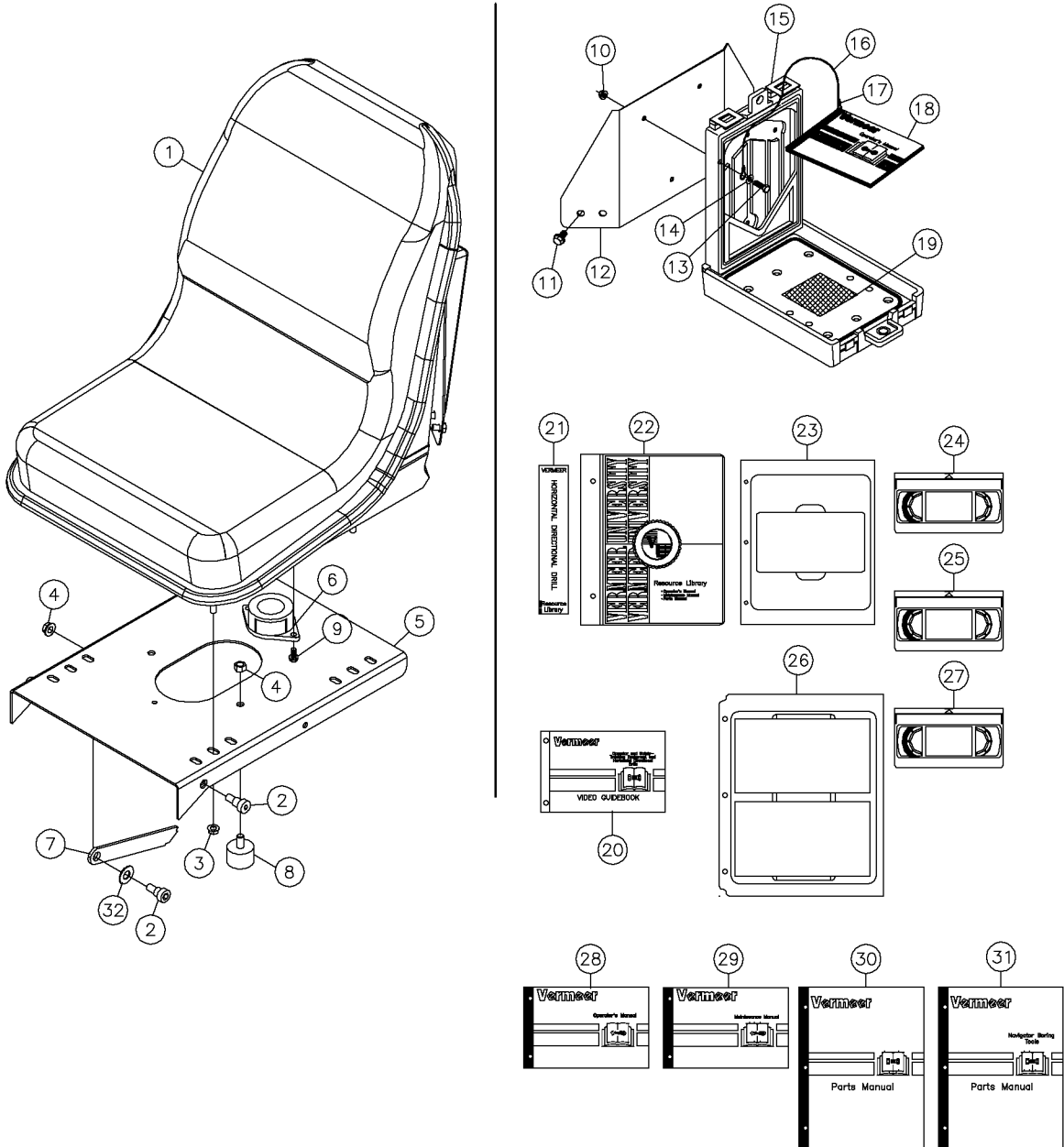
Literature Box/Seat Fig 1-11r02



## Literature Box/Seat Fig 1-11r02

REF. NO.	*	PART NO.	DESCRIPTION	QTY.	REMARKS
		Revision Date	October, 2005		Update In Illus. & Parts List.
1		296274289	SEAT - MILSCO XR210 GRAY	1	
2		296256038	SCREW - SHSS - .50X.38-.38-16 THD-CZ	2	
3		510352507	NUT-SMFLGTL-.31-18-G-YZ	4	
4		1809003	NUT-3/8 SM FLGE T.L.	3	
5		296277713	SEAT BASE WELDMENT	1	
6	*	219186003	SEAT-MILSCO OLYMPIC	1	PN Change
7		296277677	PLATE - SEAT LATCH	1	
8		122474001	MOUNT-SANDWICH SINGLE STUD	2	
9		4473004	1/4-20X1/2 FLGE WHIZ BOLT	2	
10		405001	NUT-1/4 NC FLG WHIZ LOCK	3	
11		4474004	5/16-18X1/2 FLG WHIZ BOLT	4	
12		235683001	MOUNT-MANUAL BOX	1	
13		350004	1/4-20X1/2 HHCS GR5 PLATED	3	
14		485003	WASHER-1/4 FLAT	3	
15		142410001	CASE-6"X9 XCX X1" OPERATOR MANUAL	1	
16		142954001	CABLE-.068DIA.NYLON CT.-36.00	1	
17		142423001	CRIMP-CABLE (FOR.068DIA.CABLE)	1	
18		296278355	MANUAL ASSY-D7X11II OM MINI CABLED )1.00	1	Inc Ref 16-17
19		2326940	DECAL-NOTICE TO OWNERS	1	
20		105400T90	HDD OPERATIONS & SAFETY VIDEO GUIDEBOOK	1	
21		7000B222	DECAL -HORIZONTAL DRILL - RESOURCE LIB.	2	
22		144144001	NOTEBOOK BINDER - 2"-3 XCX	2	
23		144145001	VHS - HOLDER	1	
24		251803001	VIDEO - DRILL ROD OPERATION AND MAINTENANCE	1	
25		296264887	VIDEO-OPERATIONS/SAFETY HDD&TRKNG EQUIP	1	
26		151815001	VHS HOLDER DOUBLE	1	
27		296264888	VIDEO - REMOTE LOCKOUT	1	
28		105400W61	OM-7X11II(EN) o1.00	1	
29		105400W63	MM-D7X11II (EN) m1.00	1	
30		105400ZEF	D7X11II NAVIGATOR PM	1	
31		105400T09	PM - NAVIGATOR BORING TOOLS p4.00	1	
32		252253001	WASHER-1/2 SAE FLAT ZP	1	
		296278356	D7X11II OPERATIONAL LIBRARY	1	Inc Ref 20-28
		296278357	D7X11II TECHNICAL LIBRARY	1	Inc Ref 21-22, 29-31

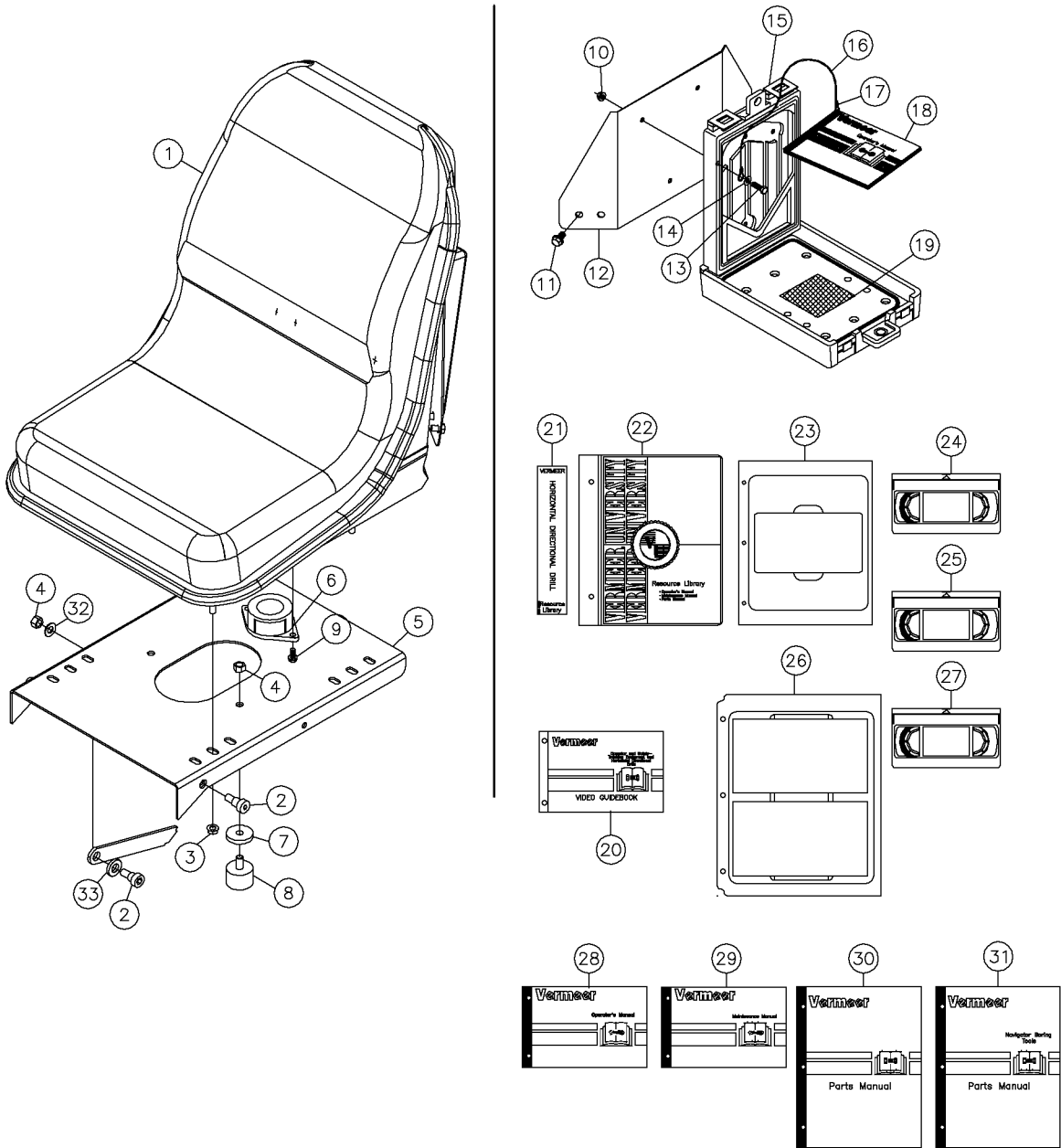
Literature Box/Seat Fig 1-11r01



## Literature Box/Seat Fig 1-11r01

REF. NO.	*	PART NO.	DESCRIPTION	QTY.	REMARKS
		Revision Date	March, 2005		Update In Illustration & Parts List.
1		296274289	SEAT - MILSCO XR210 GRAY	1	
2		296256038	SCREW - SHSS - .50X.38-.38-16 THD-CZ	2	
3		510352507	NUT-SMFLGTL-.31-18-G-YZ	4	
4		1809003	NUT-3/8 SM FLGE T.L.	3	
5		296277713	SEAT BASE WELDMENT	1	
6		219186001	SEAT-MILSCO OLYMPIC	1	
7		296277677	PLATE - SEAT LATCH	1	
8		122474001	MOUNT-SANDWICH SINGLE STUD	2	
9		4473004	1/4-20X1/2 FLGE WHIZ BOLT	2	
10		405001	NUT-1/4 NC FLG WHIZ LOCK	3	
11		4474004	5/16-18X1/2 FLG WHIZ BOLT	4	
12		235683001	MOUNT-MANUAL BOX	1	
13		350004	1/4-20X1/2 HHCS GR5 PLATED	3	
14		485003	WASHER-1/4 FLAT	3	
15		142410001	CASE-6"X9 XCX X1" OPERATOR MANUAL	1	
16		142954001	CABLE-.068DIA.NYLON CT.-36.00	1	
17		142423001	CRIMP-CABLE (FOR.068DIA.CABLE)	1	
18		296278355	MANUAL ASSY-D7X11II OM MINI CABLED )1.00	1	Inc Ref 16-17
19		2326940	DECAL-NOTICE TO OWNERS	1	
20		105400T90	HDD OPERATIONS & SAFETY VIDEO GUIDEBOOK	1	
21		7000B222	DECAL -HORIZONTAL DRILL - RESOURCE LIB.	2	
22		144144001	NOTEBOOK BINDER - 2"-3 XCX	2	
23		144145001	VHS - HOLDER	1	
24		251803001	VIDEO - DRILL ROD OPERATION AND MAINTENANCE	1	
25		296264887	VIDEO-OPERATIONS/SAFETY HDD&TRKNG EQUIP	1	
26		151815001	VHS HOLDER DOUBLE	1	
27		296264888	VIDEO - REMOTE LOCKOUT	1	
28		105400W61	OM-7X11II(EN) o1.00	1	
29		105400W63	MM-D7X11II (EN) m1.00	1	
30		105400ZEF	D7X11II NAVIGATOR PM	1	
31		105400T09	PM - NAVIGATOR BORING TOOLS p4.00	1	
32		252253001	WASHER-1/2 SAE FLAT ZP	1	
		296278356	D7X11II OPERATIONAL LIBRARY	1	Inc Ref 20-28
		296278357	D7X11II TECHNICAL LIBRARY	1	Inc Ref 21-22, 29-31

Literature Box/Seat Fig 1-11





## Literature Box/Seat Fig 1-11

REF. NO.	*	PART NO.	DESCRIPTION	QTY.	REMARKS
1		279361001	SEAT - MILSCO W/ ONE FOAM PC.	1	
2		296256138	SHAFT - STATION ROTATION	1	
3		510352507	NUT-SMFLGTL-.31-18-G-YZ	4	
4		235725001	NUT - HEX - .38 - 16 - GR8 - YZ	3	
5		296276691	PLATE - SEAT MOUNT	1	
6		219186001	SEAT-MILSCO OLYMPIC	1	
7		296277654	PLATE - SPACER 1.50 X .25	2	
8		122474001	MOUNT-SANDWICH SINGLE STUD	2	
9		4473004	1/4-20X1/2 FLGE WHIZ BOLT	2	
10		405001	NUT-1/4 NC FLG WHIZ LOCK	3	
11		4474004	5/16-18X1/2 FLG WHIZ BOLT	4	
12		235683001	MOUNT-MANUAL BOX	1	
13		350004	1/4-20X1/2 HHCS GR5 PLATED	3	
14		485003	WASHER-1/4 FLAT	3	
15		142410001	CASE-6"X9 XCX X1" OPERATOR MANUAL	1	
16		142954001	CABLE-.068DIA.NYLON CT.-36.00	1	
17		142423001	CRIMP-CABLE (FOR.068DIA.CABLE)	1	
18		296278355	MANUAL ASSY-D7X11II OM MINI CABLED )1.00	1	Inc Ref 16-17
19		2326940	DECAL-NOTICE TO OWNERS	1	
20		105400T90	HDD OPERATIONS & SAFETY VIDEO GUIDEBOOK	1	
21		7000B222	DECAL -HORIZONTAL DRILL - RESOURCE LIB.	2	
22		144144001	NOTEBOOK BINDER - 2"-3 XCX	2	
23		144145001	VHS - HOLDER	1	
24		251803001	VIDEO - DRILL ROD OPERATION AND MAINTENANCE	1	
25		296264887	VIDEO-OPERATIONS/SAFETY HDD&TRKNG EQUIP	1	
26		151815001	VHS HOLDER DOUBLE	1	
27		296264888	VIDEO - REMOTE LOCKOUT	1	
28		105400W61	OM-D7X11 SERIES II (EN) o3.00	1	
29		105400W63	MM-D7X11 SERIES II (EN) o3.00	1	
30		105400ZEF	PM-D7X11 SERIES II (EN) o3.00	1	
31		105400T09	PM - NAVIGATOR BORING TOOLS p4.00	1	
32		510337635	WASHER-FLATSAE-.38-.41X.81-16G-YZ	1	
33		296277695	ROUND BAR01" X .170 SPACER	1	
		296278356	D7X11II OPERATIONAL LIBRARY	1	Inc Ref 20-28
		296278357	D7X11II TECHNICAL LIBRARY	1	Inc Ref 21-22, 29-31

Rack (S/N 677-) Fig 2-1r05

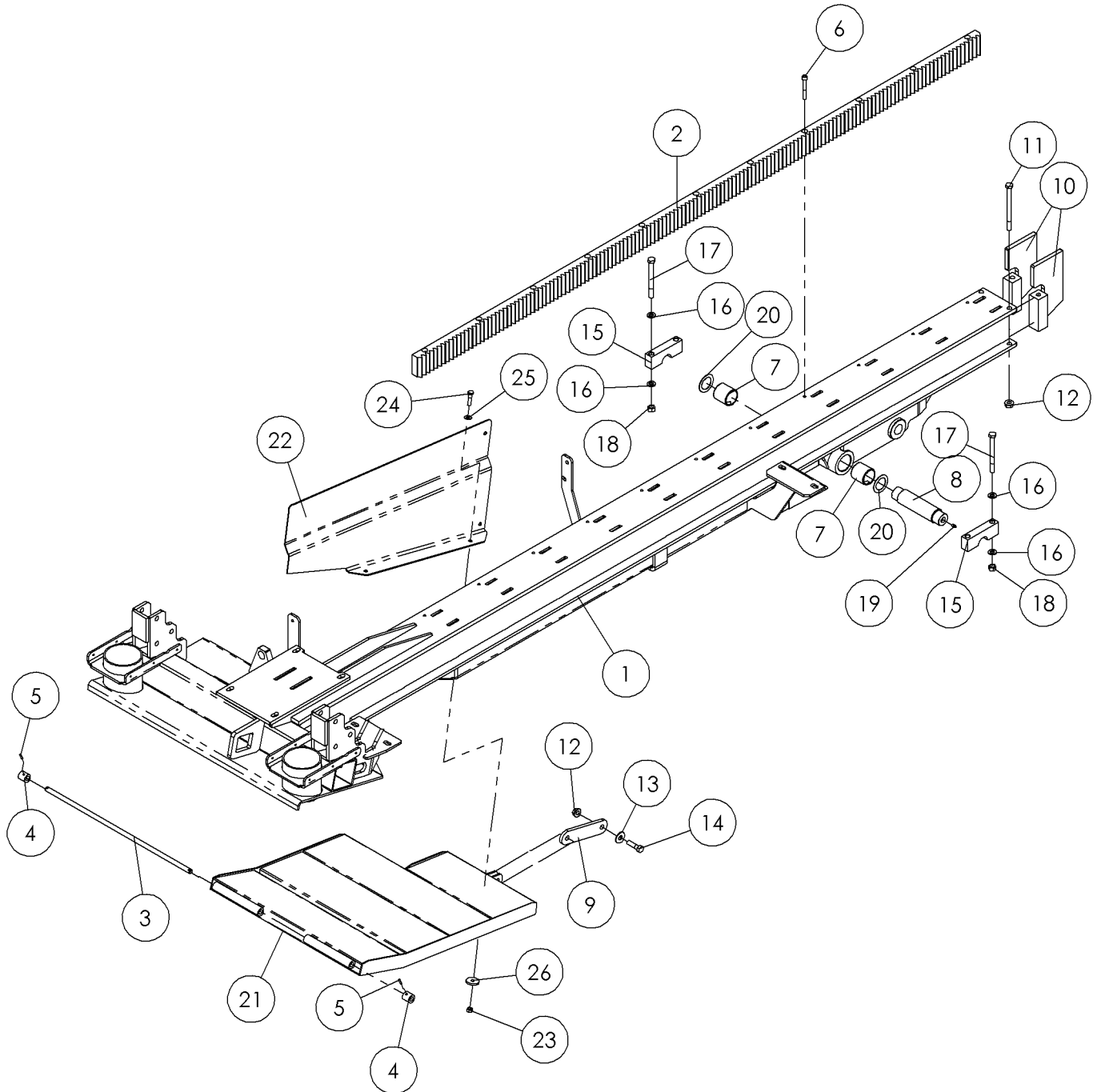


Illustration No. 296273352

## Rack (S/N 677-) Fig 2-1r05

REF. NO.	*	PART NO.	DESCRIPTION	QTY.	REMARKS
		Revision Date	September, 2007		Added Serial Number.
1		296278551	WELDMENT - D7X11 II RACK	1	
2		296271385	RACK GEAR	1	
3		296276594	ROD - 1/2" OD PIVOT	1	
4		296276595	CAP - PIN RETAINER	2	
5		1788041	PIN EXPANSION 3/16 X 3/4 ZINC	2	
6		4478026	CAPSCREW-3/8-16X2 3/4 SOC HD	11	
7		282797001	BUSHING - SPRING 2 X 1 3/4 X 2	2	
8		296276628	PIN - RACK MOUNT	1	
9		296276733	BAR - PIVOT	1	
10		296278537	STOP - REAR CARRAIGE	2	(S/N 119-)
11		155000001	BOLT - 1/2-13 UNC-6 GR8 ZYC	2	
12		1809001	NUT-1/2 SM FLGE TOP LOCK	4	
13		485011	WASHER-1/2 FLAT	2	
14		240334001	SCREW-HCS-.50-13X1.75-GR8-YZ	2	
15		296276630	PIVOT TOP CAP	2	
16		508486012	WASHER-FLAT, HARDENED,M12, YZ, DIN6916	8	(S/N 677-)
17		75381050	BOLT-1/2 - 13X5 GR 8 ZINC YELLOW	4	
18		235731001	NUT-1/2-13 GR8 ZYC	4	
19		598001	FITTING-1/4" NF ST GREASE ZERK	1	(S/N 677-)
20		510353621	WASHER-MCHBSHG-1.50-1.53X2.25- 18G-YZ	2	
21	*	296275226	GRATE - OPERATOR STATION	1	(S/N 650-)
22		296275224	GUARD - FOOT DECK	1	
23		250508001	NUT - 3/8-NC Gr8 TOP LOCK Y/ZINC	2	
24		235723001	SCREW - HCS -.38 - 16 X 1.50 - GR8 - YZ	2	
25		235713001	WASHER - FLATSTRL - .38 - .41 X .81 - .06-YA-A325	2	
26		11263001	SLUG-3/16-1 1/2 OD (ZINC)WILLIAMS SUPPLIES	2	

Rack (S/N 650-676) Fig 2-1r04

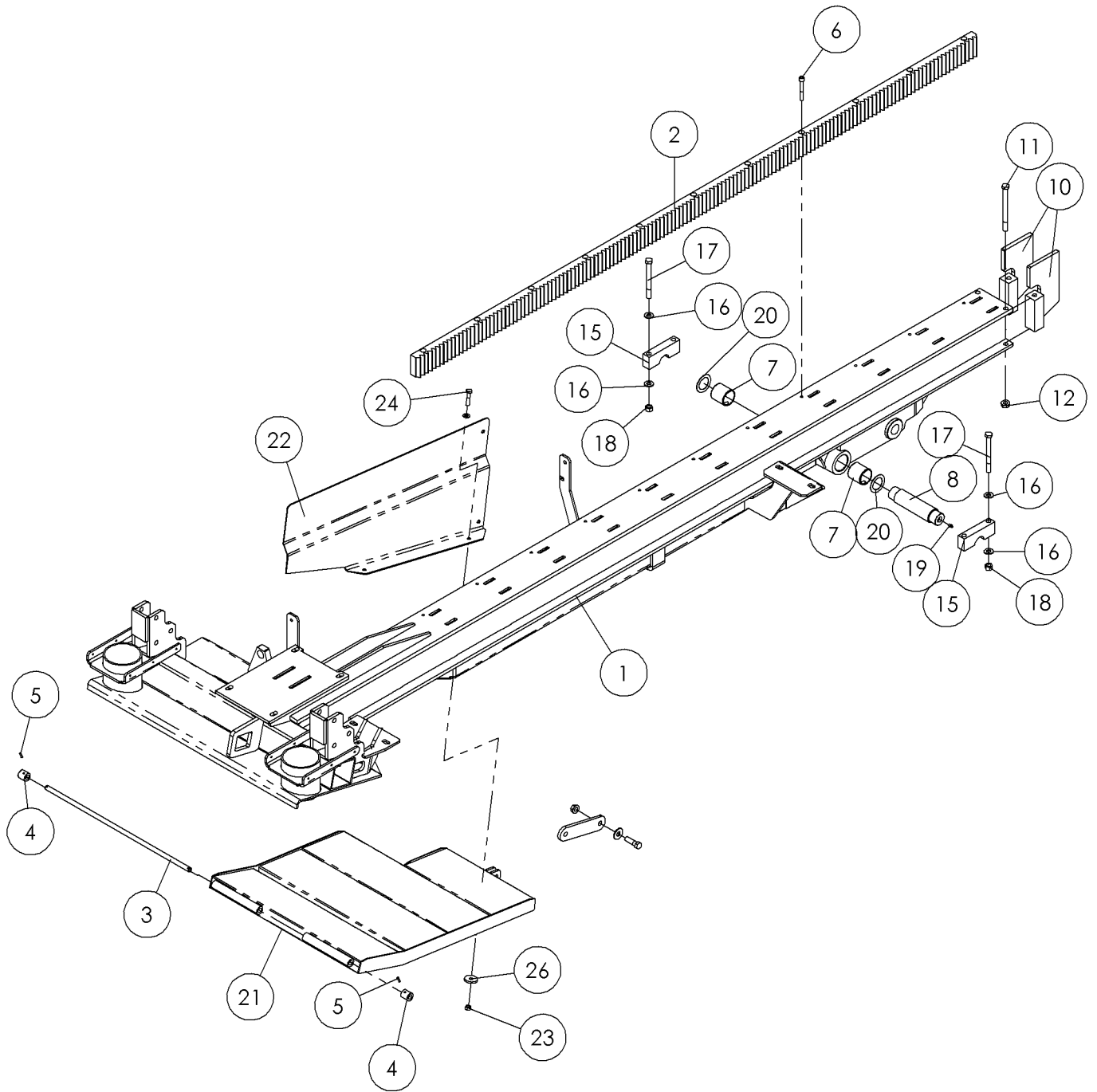
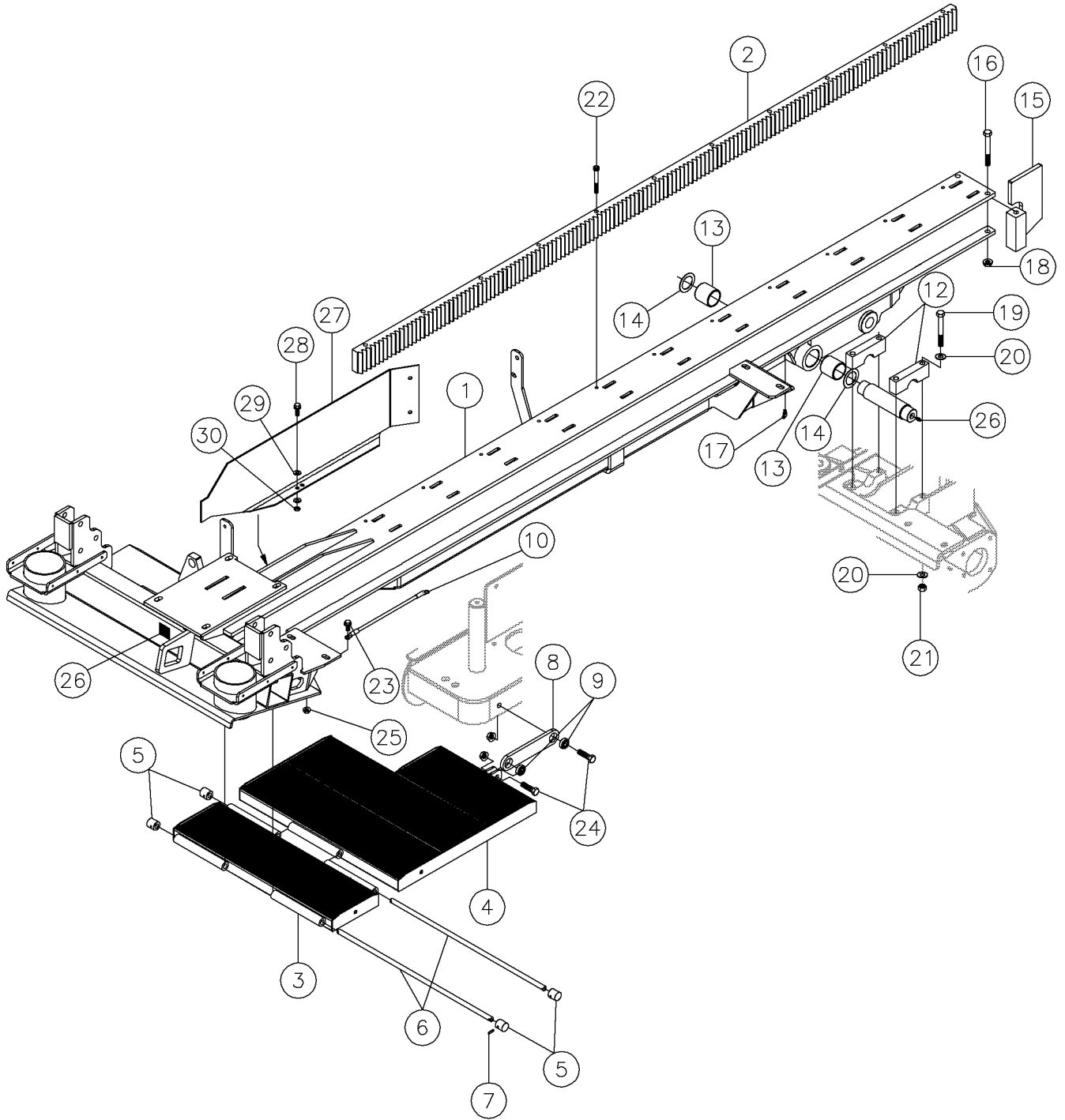


Illustration No. 296273352

## Rack (S/N 650-676) Fig 2-1r04

REF. NO.	*	PART NO.	DESCRIPTION	QTY.	REMARKS
		Revision Date	March, 2007		Change Grate-Operator Station
1		296278551	WELDMENT - D7X11 II RACK	1	
2		296271385	RACK GEAR	1	
3		296276594	ROD - 1/2" OD PIVOT	1	
4		296276595	CAP - PIN RETAINER	2	
5		1788041	PIN EXPANSION 3/16 X 3/4 ZINC	2	
6		4478026	CAPSCREW-3/8-16X2 3/4 SOC HD	11	
7		282797001	BUSHING - SPRING 2 X 1 3/4 X 2	2	
8		296276628	PIN - RACK MOUNT	1	
9		296276733	BAR - PIVOT	1	
10		296278537	STOP - REAR CARRAIGE	2	(S/N 119-)
11		155000001	BOLT - 1/2-13 UNC-6 GR8 ZYC	2	
12		1809001	NUT-1/2 SM FLGE TOP LOCK	4	
13		485011	WASHER-1/2 FLAT	2	
14		240334001	SCREW-HCS-.50-13X1.75-GR8-YZ	2	
15		296276630	PIVOT TOP CAP	2	
16		485025	WASHER-1/2 FLAT-HARDENED-YZ	8	
17		75381050	BOLT-1/2 - 13X5 GR 8 ZINC YELLOW	4	
18		235731001	NUT-1/2-13 GR8 ZYC	4	
19		598001	FITTING-1/4" NF ST GREASE ZERK	1	
20		510353621	WASHER-MCHBSHG-1.50-1.53X2.25-18G-YZ	2	
21	*	296275226	GRATE - OPERATOR STATION	1	(S/N 650-)
22		296275224	GUARD - FOOT DECK	1	
23		250508001	NUT - 3/8-NC Gr8 TOP LOCK Y/ZINC	2	
24		235723001	SCREW - HCS -.38 - 16 X 1.50 - GR8 - YZ	2	
25		235713001	WASHER - FLATSTRL - .38 - .41 X .81 - .06-YA-A325	2	
26		11263001	SLUG	2	

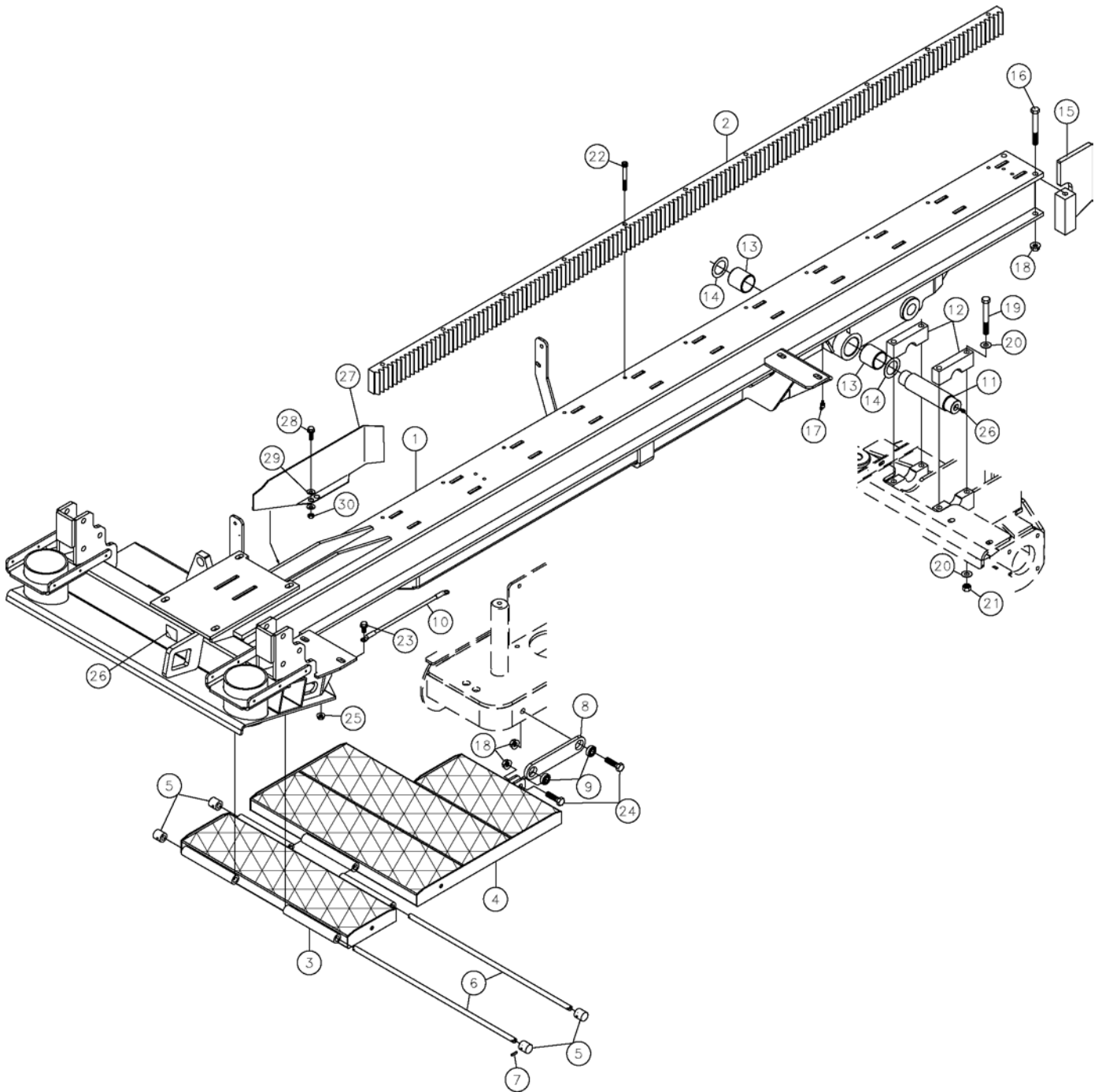
Rack (S/N 144-649) Fig 2-1r03



## Rack (S/N 144-649) Fig 2-1r03

REF. NO.	*	PART NO.	DESCRIPTION	QTY.	REMARKS
		Revision Date	March, 2006		Update In Illustration & Parts List.
1		296278551	WELDMENT - D7X11 II RACK	1	
2		296271385	RACK GEAR	1	
3		296276728	GRATE - PIVOT	1	
4		296276730	GRATE - OPERATOR STATION	1	
5		296276595	CAP - PIN RETAINER	4	
6		296276594	ROD - 1/2" OD PIVOT	2	
7		1788041	PIN EXPANSION 3/16 X 3/4 ZINC	4	
8		296276733	BAR - PIVOT	1	
9		1745001	BRG. DS 1616 1/2"	2	
10		219380001	STRAP-GROUND 4 GA.X12" E-E	1	
11		296276628	PIN - RACK MOUNT	1	
12		296276630	PIVOT TOP CAP	2	
13		282797001	BUSHING - SPRING 2 X 1 3/4 X 2	2	
14		510353621	WASHER-MCHBSHG-1.50-1.53X2.25-18G-YZ	2	
15		296278537	STOP - REAR CARRAIGE	2	S/N 119 & Up
16		155000001	BOLT - 1/2-13 UNC-6 GR8 PLATED	2	
17		596001	ZERK-1/4" NF 45 DEG GREASE	1	
18		1809001	NUT-1/2 SM FLGE TOP LOCK	4	
19		75381050	BOLT-1/2 - 13X5 GR 8 ZINC YELLOW	4	
20		485025	WASHER-1/2 FLAT-HARDENED-YZ	4	
21		235731001	NUT-1/2-13 GR8 ZINC PLTD	4	
22		4478030	SCREW-3/8-16X3 SOCKET HEAD CAP	1	
23		4475006	BOLT-3/8-16X3/4 FLG WHIZ	3	
24		240334001	BOLT-1/2-13X1 3/4 GR8 ZINC PLT	2	
25		4536001	NUT - 3/8-16 FLG. WHIZ LOCK	3	
26		70001834	DECAL - TIE DOWN POINT	1	
27		296275162	GUARD FOOT DECK	1	S/N 437 AND UP
28		235727001	BOLT-3/8-16X1 GR8 HEX ZINC PLATE	1	PN Added
29		235713001	WASHER - FLATSTRL - .38 - .41 X .81 - .06-YA-A325	2	PN Added
30		250508001	NUT-3/8-NC GR8 TOP LOCK Y/ZINC	1	PN Added

Rack Fig 2-1r02

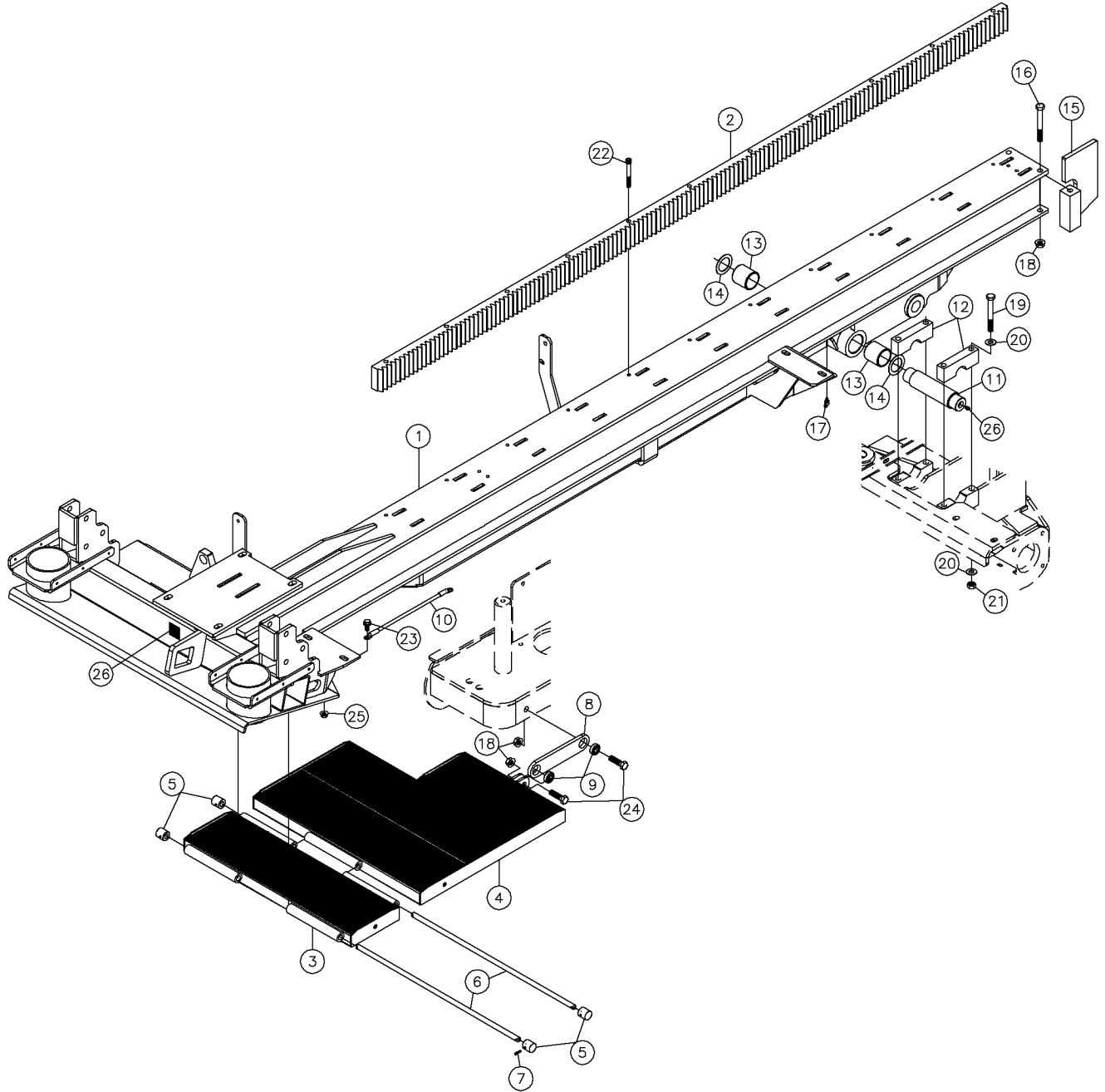




## Rack Fig 2-1r02

REF. NO.	*	PART NO.	DESCRIPTION	QTY.	REMARKS
		Revision Date	October, 2005		Update In Illus. & Parts List
1		296278551	WELDMENT - D7X11 II RACK	1	
2		296271385	RACK GEAR	1	
3		296276728	GRATE - PIVOT	1	
4		296276730	GRATE - OPERATOR STATION	1	
5		296276595	CAP - PIN RETAINER	4	
6		296276594	ROD - 1/2" OD PIVOT	2	
7		1788041	PIN EXPANSION 3/16 X 3/4 ZINC	4	
8		296276733	BAR - PIVOT	1	
9		1745001	BRG. DS 1616 1/2"	2	
10		219380001	STRAP-GROUND 4 GA.X12" E-E	1	
11		296276628	PIN - RACK MOUNT	1	
12		296276630	PIVOT TOP CAP	2	
13		282797001	BUSHING - SPRING 2 X 1 3/4 X 2	2	
14		510353621	WASHER-MCHBSHG-1.50-1.53X2.25-18G-YZ	2	
15		296278537	STOP - REAR CARRAIGE	2	S/N 119 & Up
16		155000001	BOLT - 1/2-13 UNC-6 GR8 PLATED	2	
17		596001	ZERK-1/4" NF 45 DEG GREASE	1	
18		1809001	NUT-1/2 SM FLGE TOP LOCK	4	
19		75381050	BOLT-1/2 - 13X5 GR 8 ZINC YELLOW	4	
20		485025	WASHER-1/2 FLAT-HARDENED-YZ	4	
21		235731001	NUT-1/2-13 GR8 ZINC PLTD	4	
22		4478030	SCREW-3/8-16X3 SOCKET HEAD CAP	1	
23		4475006	BOLT-3/8-16X3/4 FLG WHIZ	3	
24		240334001	BOLT-1/2-13X1 3/4 GR8 ZINC PLT	2	
25		4536001	NUT - 3/8-16 FLG. WHIZ LOCK	3	
26		70001834	DECAL - TIE DOWN POINT	1	
27	*	296275182	GUARD-FOOT-DECK	1	PN Added
28	*	235727001	BOLT-3/8-16X1 GR8 HEX ZINC PLATE	1	PN Added
29	*	235713001	WASHER-FLATSTRL-.38-.41 X .81-.08 YAA325	2	PN Added
30	*	250508001	NUT-3/8-NC GR8 TOP LOCK Y/ZINC	1	PN Added

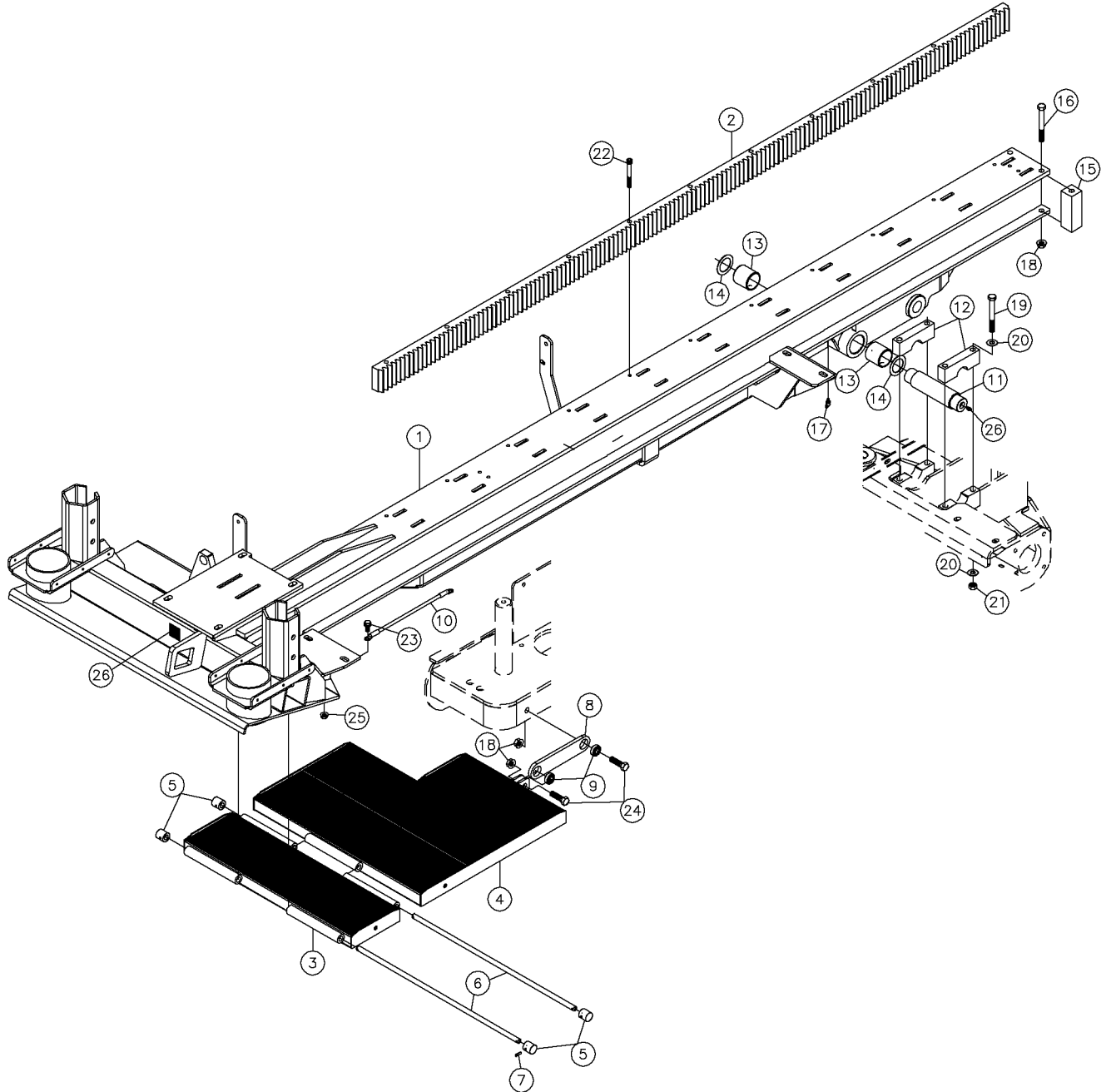
Rack Fig 2-1r01



## Rack Fig 2-1r01

REF. NO.	*	PART NO.	DESCRIPTION	QTY.	REMARKS
		Revision Date	March, 2005		Update In Illustration & Parts List.
1		296278551	WELDMENT - D7X11 II RACK	1	
2		296271385	RACK GEAR	1	
3		296276728	GRATE - PIVOT	1	
4		296276730	GRATE - OPERATOR STATION	1	
5		296276595	CAP - PIN RETAINER	4	
6		296276594	ROD - 1/2" OD PIVOT	2	
7		1788041	PIN EXPANSION 3/16 X 3/4 ZINC	4	
8		296276733	BAR - PIVOT	1	
9		1745001	BRG. DS 1616 1/2"	2	
10		219380001	STRAP-GROUND 4 GA.X12" E-E	1	
11		296276628	PIN - RACK MOUNT	1	
12		296276630	PIVOT TOP CAP	2	
13		282797001	BUSHING - SPRING 2 X 1 3/4 X 2	2	
14		510353621	WASHER-MCHBSHG-1.50-1.53X2.25-18G-YZ	2	
15		296278537	STOP - REAR CARRAIGE	2	S/N 119 & Up
16		155000001	BOLT - 1/2-13 UNC-6 GR8 PLATED	2	
17		596001	ZERK-1/4" NF 45 DEG GREASE	1	
18		1809001	NUT-1/2 SM FLGE TOP LOCK	4	
19		75381050	BOLT-1/2 - 13X5 GR 8 ZINC YELLOW	4	
20		485025	WASHER-1/2 FLAT-HARDENED-YZ	4	
21		235731001	NUT-1/2-13 GR8 ZINC PLTD	4	
22		4478030	SCREW-3/8-16X3 SOCKET HEAD CAP	1	
23		4475006	BOLT-3/8-16X3/4 FLG WHIZ	3	
24		240334001	BOLT-1/2-13X1 3/4 GR8 ZINC PLT	2	
25		4536001	NUT - 3/8-16 FLG. WHIZ LOCK	3	
26		70001834	DECAL - TIE DOWN POINT	1	

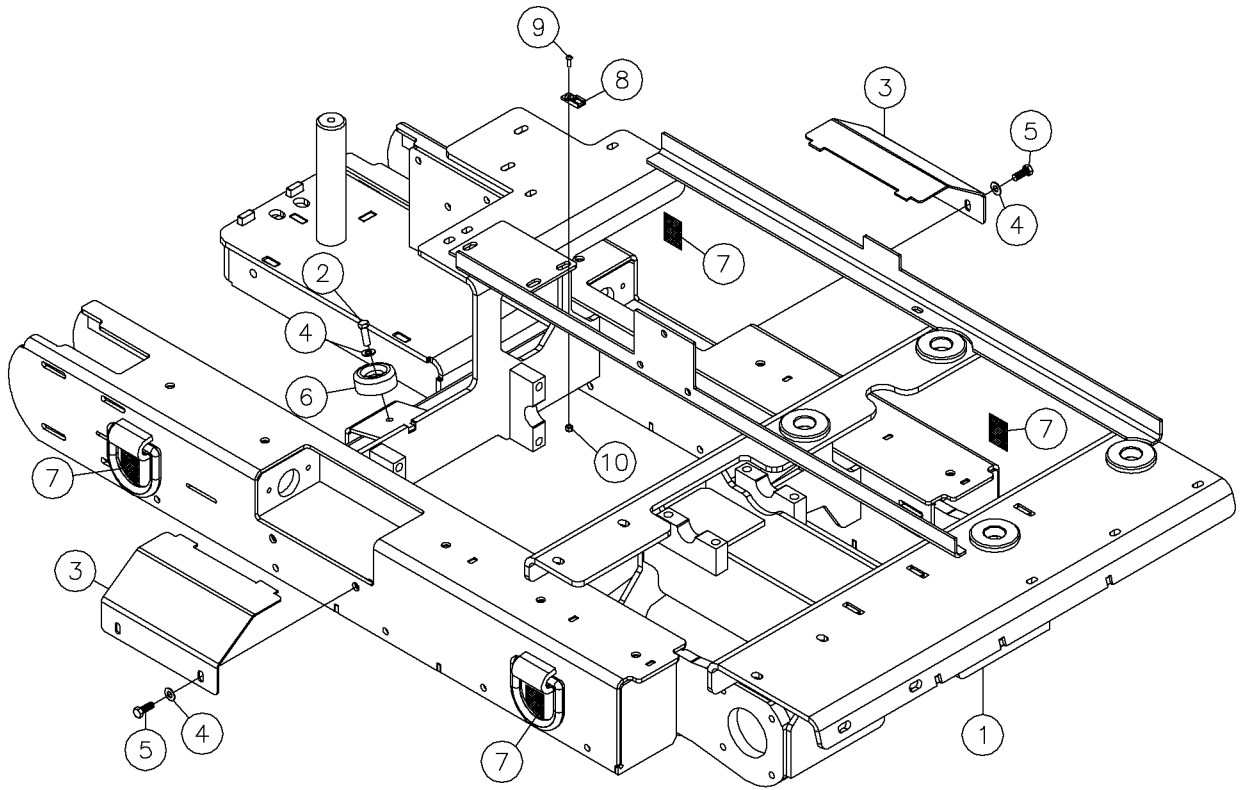
Rack Fig 2-1



Rack Fig 2-1

REF. NO.	*	PART NO.	DESCRIPTION	QTY.	REMARKS
1		296276501	WELDMENT - RACK D7X11XL	1	
2		296271385	RACK GEAR	1	
3		296276728	GRATE - PIVOT	1	
4		296276730	GRATE - OPERATOR STATION	1	
5		296276595	CAP - PIN RETAINER	4	
6		296276594	ROD - 1/2" OD PIVOT	2	
7		1788041	PIN EXPANSION 3/16 X 3/4 ZINC	4	
8		296276733	BAR - PIVOT	1	
9		1745001	BRG. DS 1616 1/2"	2	
10		219380001	STRAP-GROUND 4 GA.X12" E-E	1	
11		296276628	PIN - RACK MOUNT	1	
12		296276630	PIVOT TOP CAP	2	
13		282797001	BUSHING - SPRING 2 X 1 3/4 X 2	2	
14		510353621	WASHER-MCHBSHG-1.50-1.53X2.25-18G-YZ	2	
15		296278526	BAR REAR STOP	2	
16		155000001	BOLT - 1/2-13 UNC-6 GR8 PLATED	2	
17		596001	ZERK-1/4" NF 45 DEG GREASE	1	
18		1809001	NUT-1/2 SM FLGE TOP LOCK	4	
19		75381050	BOLT-1/2 - 13X5 GR 8 ZINC YELLOW	4	
20		485025	WASHER-1/2 FLAT-HARDENED-YZ	4	
21		235731001	NUT-1/2-13 GR8 ZINC PLTD	4	
22		4478030	SCREW-3/8-16X3 SOCKET HEAD CAP	1	
23		4475006	BOLT-3/8-16X3/4 FLG WHIZ	3	
24		240334001	BOLT-1/2-13X1 3/4 GR8 ZINC PLT	2	
25		4536001	NUT - 3/8-16 FLG. WHIZ LOCK	3	
26		70001834	DECAL - TIE DOWN POINT	1	

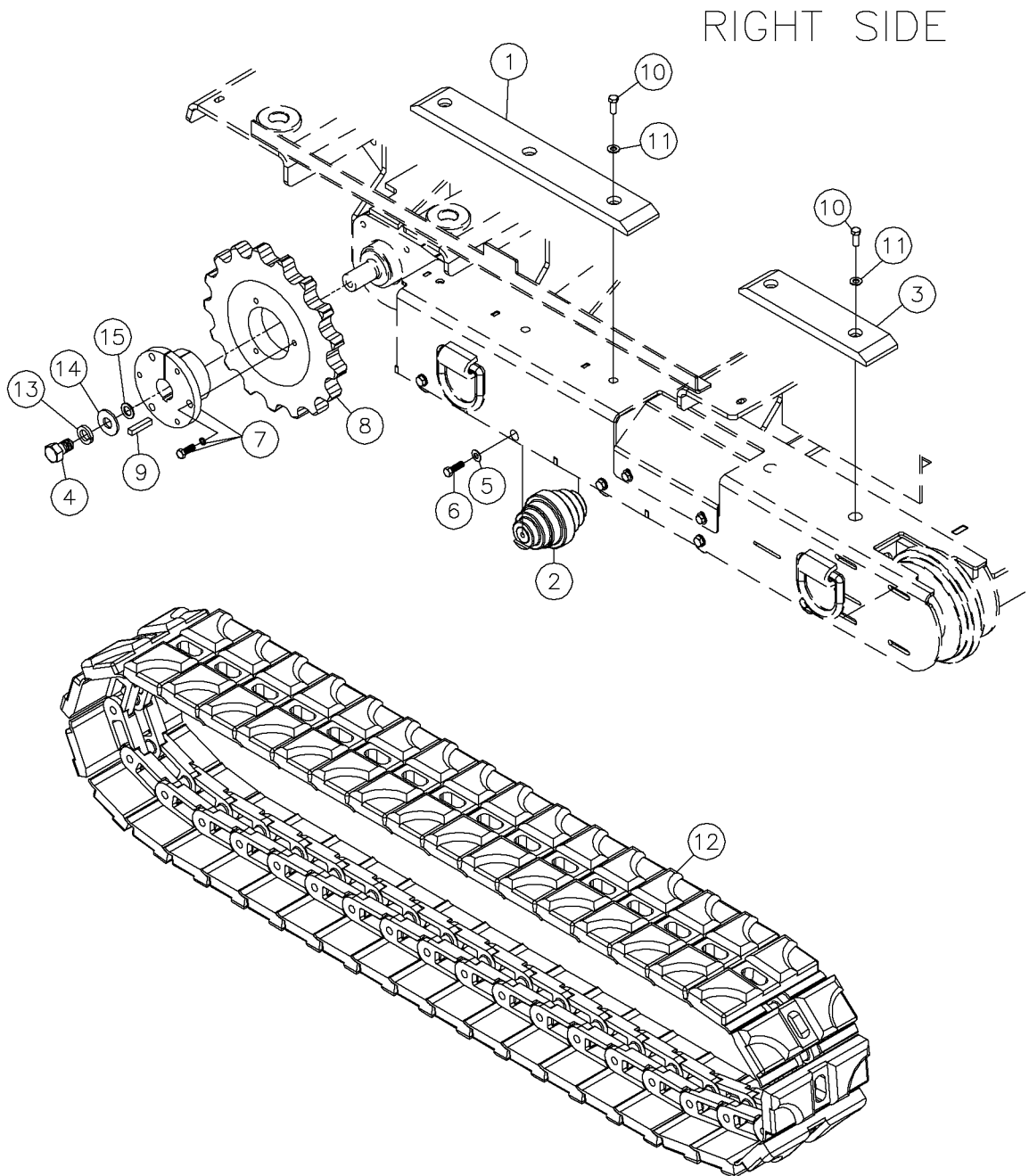
Undercarriage Fig 2-2



## Undercarriage Fig 2-2

REF. NO.	*	PART NO.	DESCRIPTION	QTY.	REMARKS
		Revision Date	October, 2006		Added Receptacle Tie
1		296276513	FRAME - TRACK	1	
2		235736001	BOLT-3/8-16X1 1/4 ZINC PLTD	1	
3		296276618	COVER - TRACK TENSION	2	
4		235713001	WASHER - FLATSTRL - .38 - .41 X .81 - .06-YA-A325	5	
5		235727001	BOLT-3/8-16X1 GR8 HEX ZINC PLT	4	
6		3035001	BUMPER 2 1/2OD X 1" HIGH RUBR	1	
7		70001834	DECAL - TIE DOWN POINT	4	
8	*	296293767	RECEPTACLE MOUNT DT SERIES	1	
9	*	233502001	SCREW- #10-24X5/8 PHILLIPS PAN	1	
10	*	99042001	NUT - NYLOCK - 10 - 24 - GR2 - CZ	1	

Right Drive Track Fig 2-3

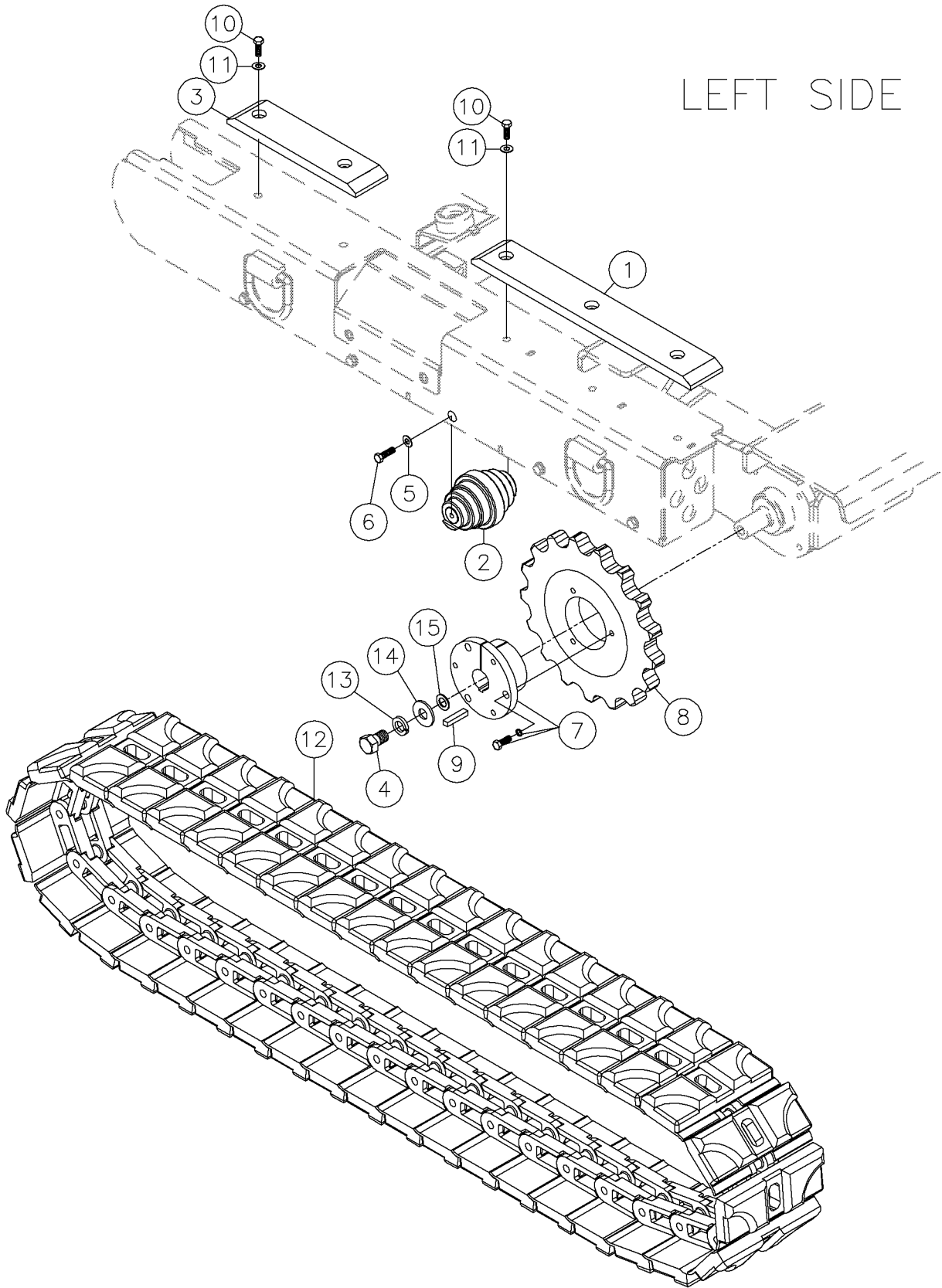




## Right Drive Track Fig 2-3

REF. NO.	*	PART NO.	DESCRIPTION	QTY.	REMARKS
		Revision Date	September, 2007		Corrected hardware
1		296276615	RAIL - WEAR LONG	1	
2		296276548	ROLLER - TRACK	5	
3		296276616	RAIL - WEAR SHORT	1	
4		213890005	BOLT-5/8-18 X 1.00 HEX	1	
5	*	141350001	WASHER-M10 HARDEN PLATED FLAT	10	
6	*	508476030	SCREW-HCS,M10-1.50X30,10.9,YZ,ISO4017,FT	10	
7		213704001	HUB BUSHING - MODIFIED	1	
8		296276619	SPROCKET - 17 TOOTH 90MM PITCH	1	
9		88759025	KEY-5/16X5/16X1 1/2	1	
10		235727001	BOLT-3/8-16X1 GR8 HEX ZINC PLT	5	
11		235713001	WASHER - FLATSTRL - .38 - .41 X .81 - .06-YA-A325	5	
12		296276547	TRACK - RUBBERIZED 39 SECTION	1	Breakdown Fig. 12-13
		296276551	TRACK - STEEL 39 SECTION	1	Breakdown Fig. 12-13
13	*	480015	WASHER-5/8 S/T LOCK	1	
14	*	213890003	WASHER	1	
15	*	483049	WASHER-1 1/8ODX5/8IDX14GA.M.B.	1	

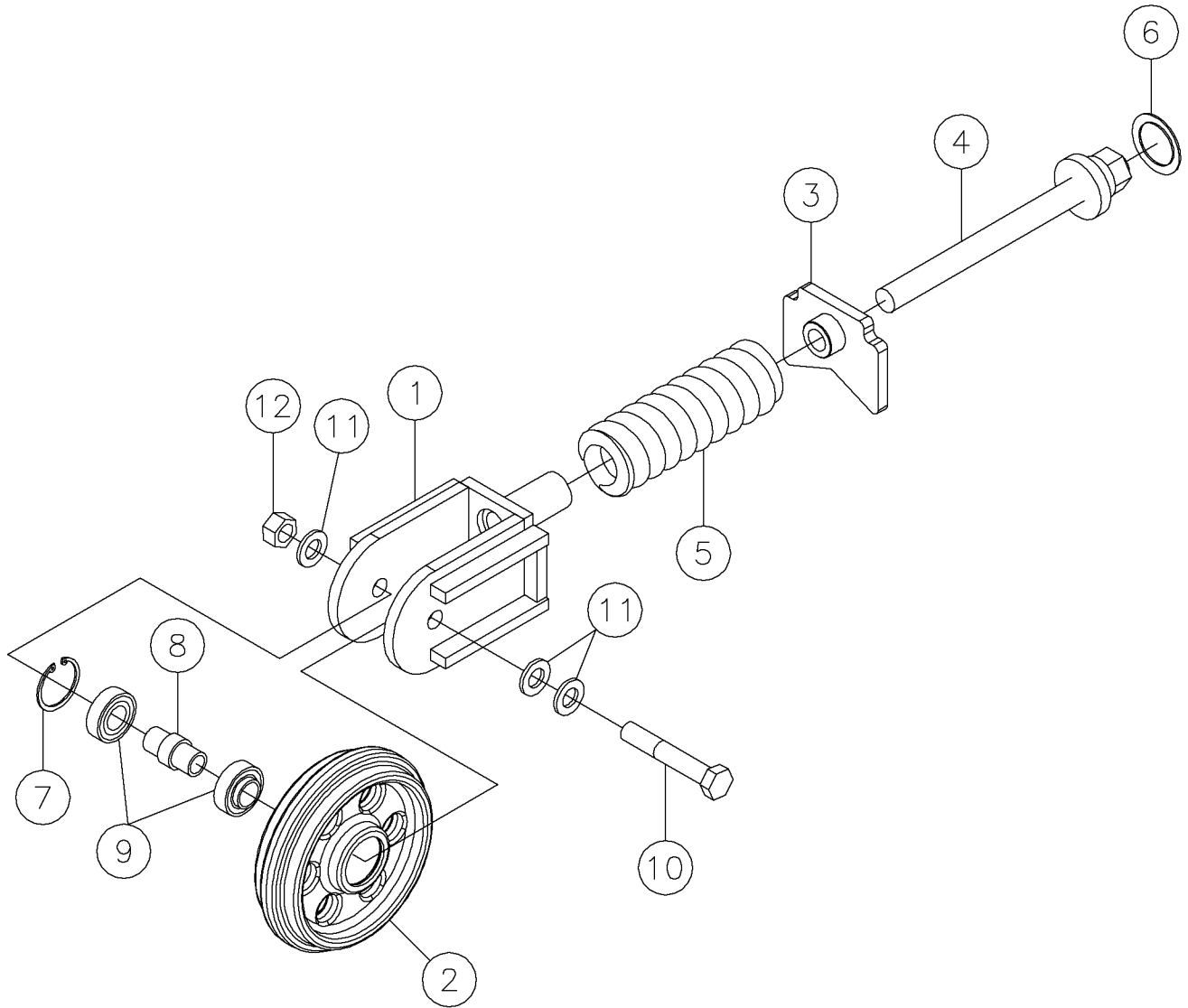
Left Drive Track Fig 2-4



## Left Drive Track Fig 2-4

REF. NO.	*	PART NO.	DESCRIPTION	QTY.	REMARKS
		Revision Date	September, 2007		Corrected Hardware
1		296276615	RAIL - WEAR LONG	1	
2		296276548	ROLLER - TRACK	5	
3		296276616	RAIL - WEAR SHORT	1	
4		213890005	BOLT-5/8-18 X 1.00 HEX	1	
5	*	141350001	WASHER-M10 HARDEN PLATED FLAT	10	
6	*	508476030	SCREW-HCS,M10-1.50X30,10.9,YZ,ISO4017,FT	10	
7		213704001	HUB BUSHING - MODIFIED	1	
8		296276619	SPROCKET - 17 TOOTH 90MM PITCH	1	
9		88759025	KEY-5/16X5/16X1 1/2	1	
10		235727001	BOLT-3/8-16X1 GR8 HEX ZINC PLT	5	
11		235713001	WASHER - FLATSTRL - .38 - .41 X .81 - .06-YA-A325	5	
12		296276547	TRACK - RUBBERIZED 39 SECTION	1	Breakdown Fig. 12-13
		296276551	TRACK - STEEL 39 SECTION	1	Breakdown Fig. 12-13
13	*	480015	WASHER-5/8 S/T LOCK	1	
14	*	213890003	WASHER	1	
15	*	483049	WASHER-1 1/8ODX5/8IDX14GA.M.B.	1	

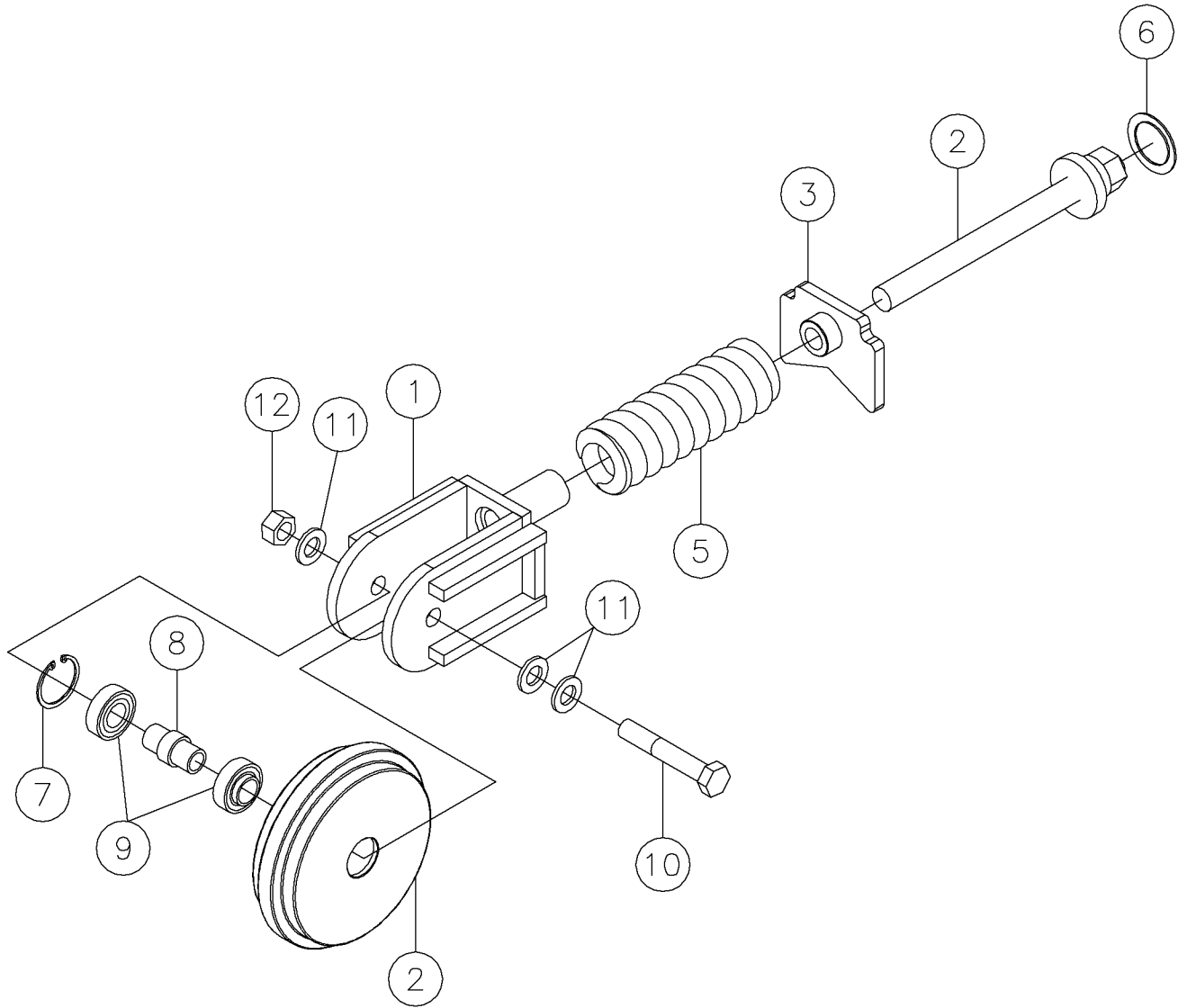
Track Tightener Fig 2-5r02



## Track Tightener Fig 2-5r02

REF. NO.	*	PART NO.	DESCRIPTION	QTY.	REMARKS
		Revision Date	October, 2006		Changed Roller
1		296276532	SLIDE - IDLER	1	
2	*	296276537	ROLLER - TRACK END	1	(S/N 631-)
3		296276538	TIGHTENER - SPRING	1	
4		296276540	SCREW - TIGHTENER	1	
5		215468001	SPRING-COMP2-15/16ODX11/16WIRE	1	
6		510336676	WASHER-MCHBSHG-1.75-1.78X2.50-14G-YZ	1	
7		602206	SNAP RING-INT. 2 1/16 INCH	1	
8		151903001	SPACER, IDLER	1	
9		57904001	BEARING-1"CYLINDER WO/COLLAR	2	
10		235738001	BOLT-HCS-3/4-10X4 1/2 GR8 ZY	1	
11		235717001	WASHER - 3/4" HARDENED FLAT YZ	3	
12		250510001	NUT 3/4 NC Gr8 SLTL Y/ZINC	1	

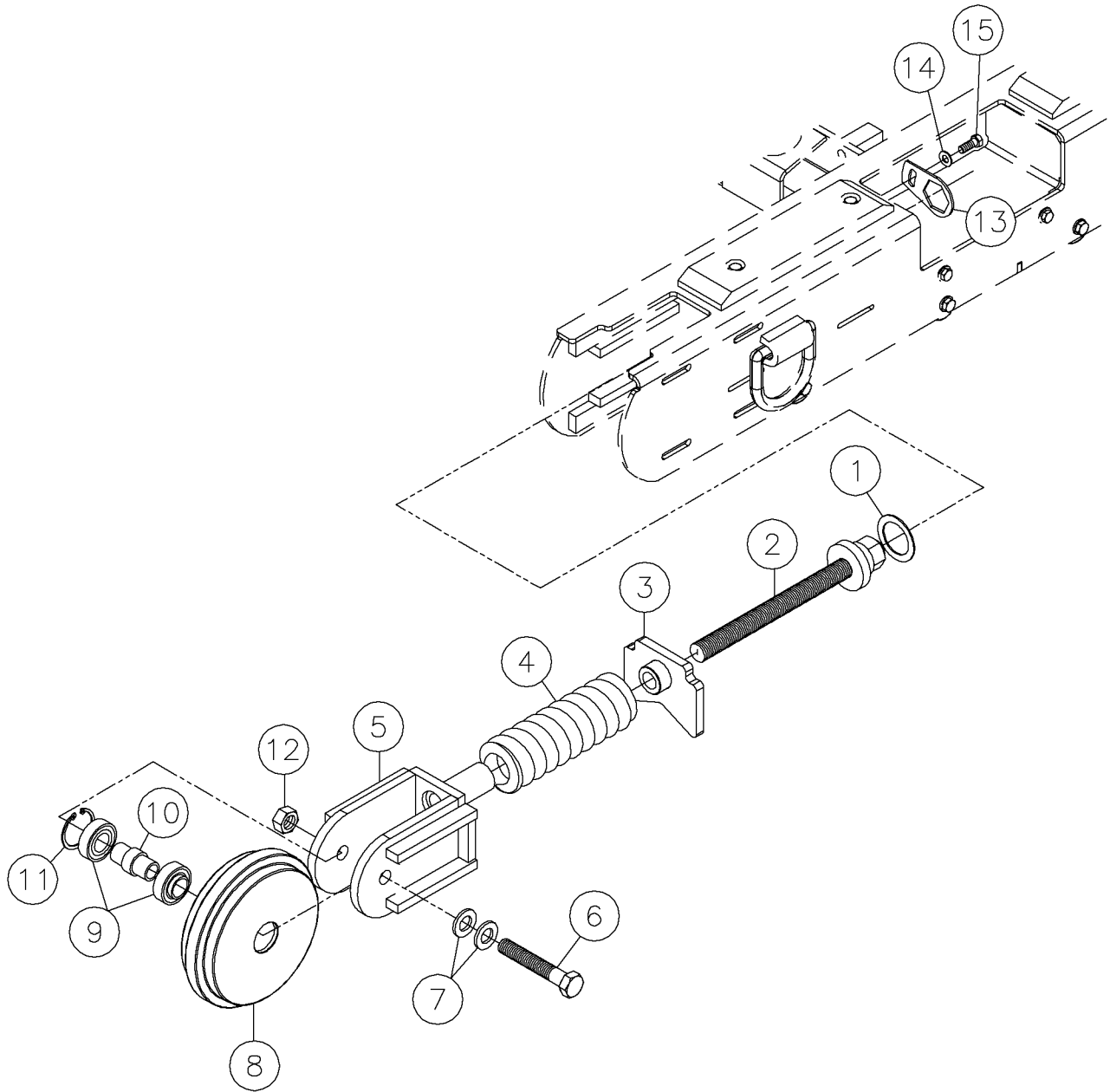
Track Tightener Fig 2-5r01



## Track Tightener Fig 2-5r01

REF. NO.	*	PART NO.	DESCRIPTION	QTY.	REMARKS
		Revision Date	March, 2006		Update In Illustration & Parts List.
1		296276532	SLIDE - IDLER	1	
2		296276537	ROLLER - TRACK END	1	
3		296276538	TIGHTENER - SPRING	1	
4		296276540	SCREW - TIGHTENER	1	
5		215468001	SPRING-COMP2-15/16ODX11/16WIRE	1	
6		510336676	WASHER-MCHBSHG-1.75-1.78X2.50-14G-YZ	1	
7		602206	SNAP RING-INT. 2 1/16 INCH	1	
8		151903001	SPACER, IDLER	1	
9		57904001	BEARING-1"CYLINDER WO/COLLAR	2	
10		235738001	BOLT-HCS-3/4-10X4 1/2 GR8 ZY	1	
11		235717001	WASHER - 3/4" HARDENED FLAT YZ	3	
12		250510001	NUT 3/4 NC Gr8 SLTL Y/ZINC	1	

Track Tightener Fig 2-5

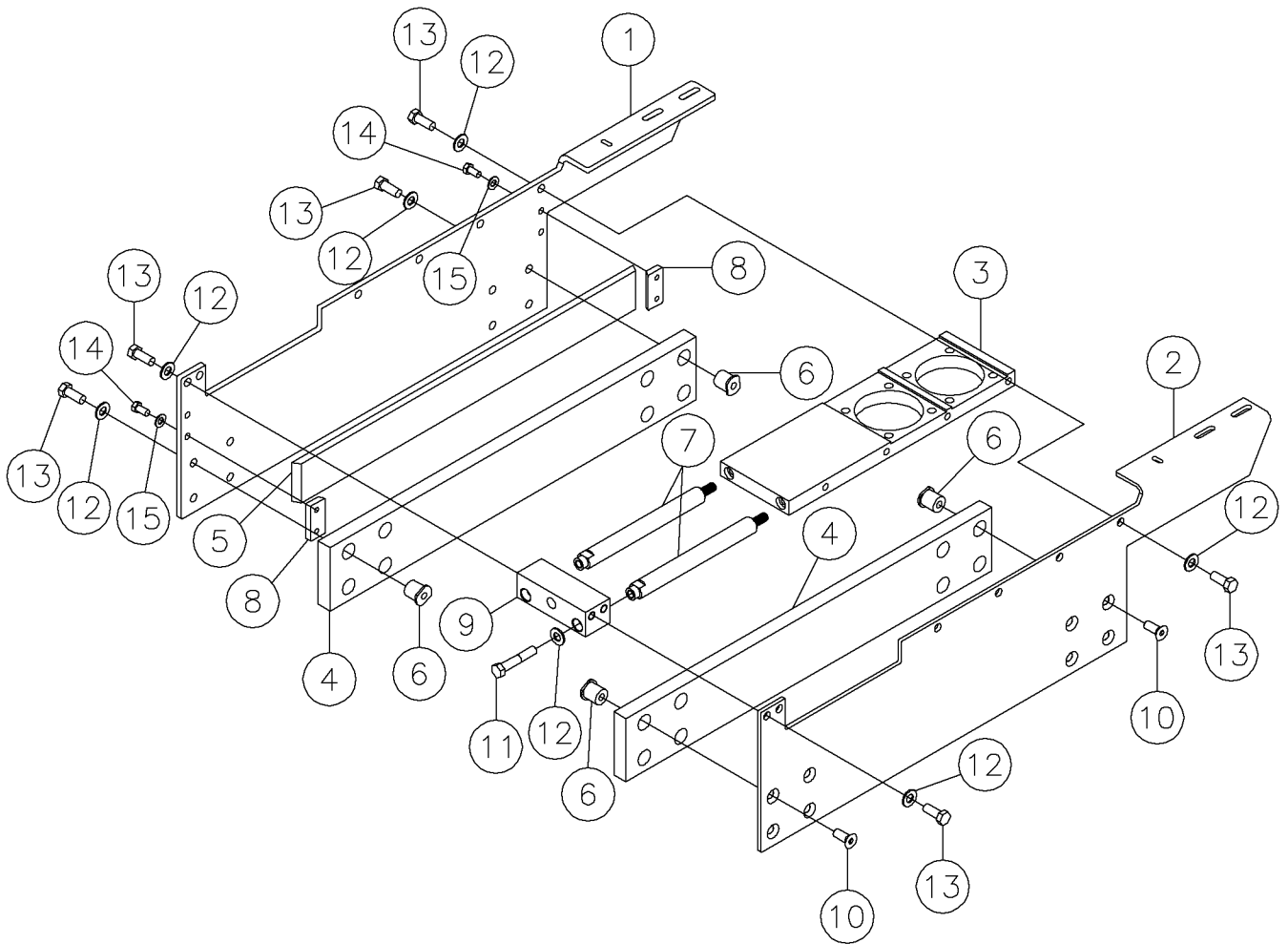




## Track Tightener Fig 2-5

REF. NO.	*	PART NO.	DESCRIPTION	QTY.	REMARKS
1		510336676	WASHER-MCHBSHG-1.75-1.78X2.50-14G-YZ	2	
2		296276540	SCREW - TIGHTENER	2	
3		296276538	TIGHTENER - SPRING	2	
4		215468001	SPRING-COMP2-15/16ODX11/16WIRE	2	
5		296276532	SLIDE - IDLER	2	
6		235738001	BOLT-3/4-10X4 1/2 GR8 ZNC PLT	2	
7		235717001	WASHER-3/4 FLAT HARDENED YELLOW ZINC	4	
8		296276537	ROLLER - TRACK END	2	
9		57904001	BEARING-1"CYLINDER WO/COLLAR	4	
10		151903001	SPACER, IDLER	2	
11		602206	SNAP RING-INT. 2 1/16 INCH	2	
12		250510001	NUT 3/4 NC Gr8 SLTL Y/ZINC	2	
13		296276617	PLATE - NUT LOCK	2	
14		235713001	WASHER - FLATSTRL - .38 - .41 X .81 - .06-YA-A325	2	
15		235727001	BOLT-3/8-16X1 GR8 HEX ZINC PLT	2	

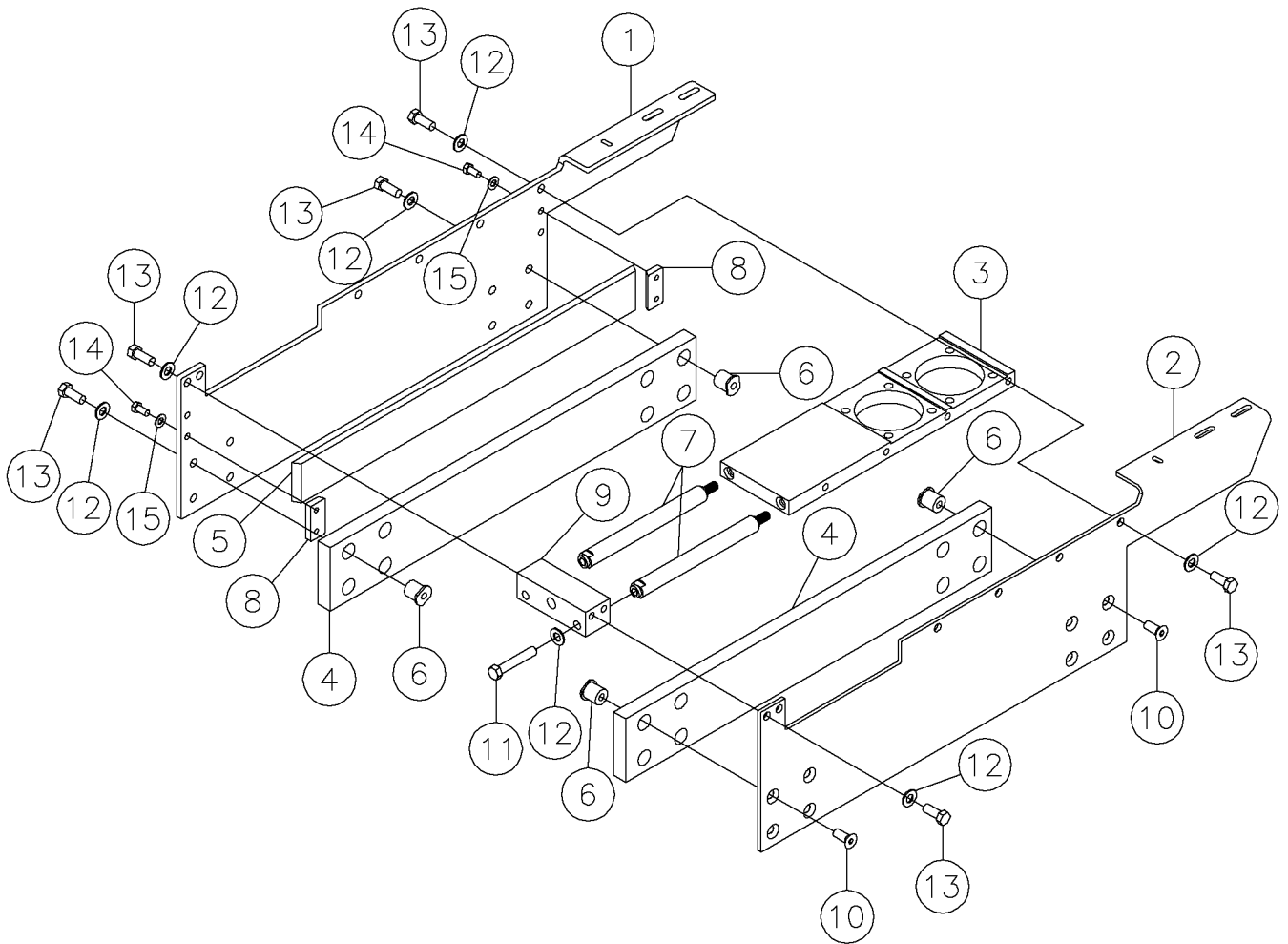
Drill Carriage (S/N 627-) Fig 2-6r03



## Drill Carriage (S/N 627-) Fig 2-6r03

REF. NO.	*	PART NO.	DESCRIPTION	QTY.	REMARKS
		Revision Date	August, 2007		Revised Ref. 5 And 8.
1		296271386	CARRIAGE SIDE PLATE	1	
2		296276506	CARRIAGE RIGHT SIDE PLATE	1	
3		296271387	MOTOR MOUNT PLATE	1	
4		296277701	PLASTIC - SLIDE MOUNT RACK	2	
5	*	296271394	CARRIAGE SIDE SPACER	1	
6		296276504	BOSS-FLAT HEAD THREADED	16	
7		296293862	SLIDE ROD CARRIAGE	2	(S/N 627-)
8	*	296271396	STOP PLASTIC SIDE SPACER	2	
9		296293863	SLIDE MOUNT BAR CARRIAGE	1	(S/N 627-)
10		15411014	SCREW-1/2-13X1 1/4 FLT SHCS	8	
11		235744001	BOLT-1/2-13X2 3/4 GR8 ZNC PLTD	2	
12		485025	WASHER-1/2 FLAT-HARDENED-YZ	22	
13		235737001	BOLT-1/2-13X1 1/4 GR8 ZINC PLT	20	
14		235726001	BOLT-3/8-16X3/4 GR8 HEX ZNCPLT	4	
15		510337635	WASHER-FLATSAE-.38-.41X.81-16G-YZ	4	

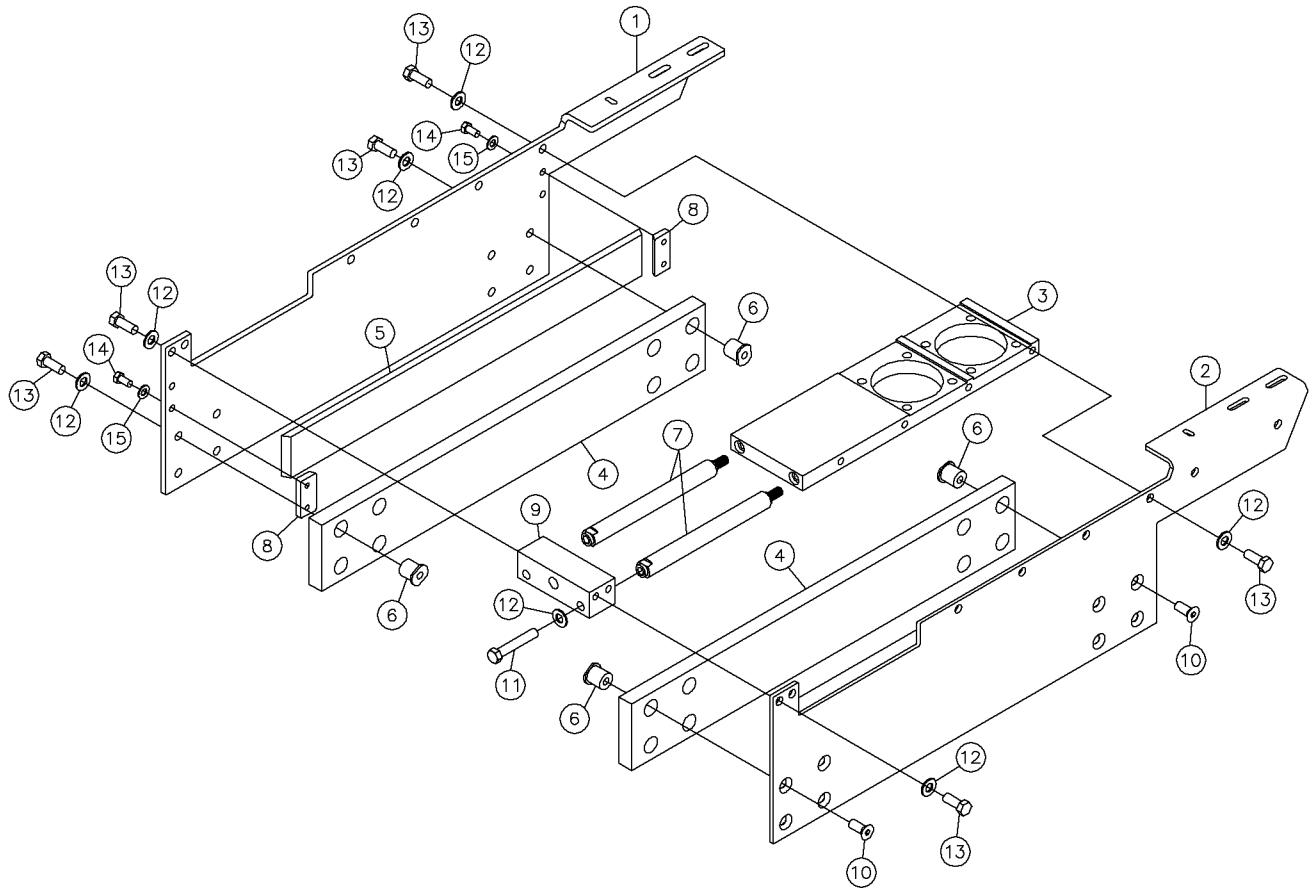
Drill Carriage Fig 2-6r02



## Drill Carriage Fig 2-6r02

REF. NO.	*	PART NO.	DESCRIPTION	QTY.	REMARKS
		Revision Date	March, 2006		Update In Illustration.
1		296271386	CARRIAGE SIDE PLATE	1	
2		296276506	CARRIAGE RIGHT SIDE PLATE	1	
3		296271387	MOTOR MOUNT PLATE	1	
4		296277701	PLASTIC - SLIDE MOUNT RACK	2	
5		296271394	CARRIAGE SIDE SPACER	1	
6		296276504	BOSS-FLAT HEAD THREADED	16	
7		296271389	SLIDE ROD	2	S/N 140 & Up
8		296271396	STOP PLASTIC SIDE SPACER	2	
9		296271388	SLIDE MOUNT BAR	1	
10		15411014	SCREW-1/2-13X1 1/4 FLT SHCS	8	
11		235724001	BOLT-1/2-13X3 GR8 HEX ZINC PLT	2	
12		485025	WASHER-1/2 FLAT-HARDENED-YZ	22	
13		235737001	BOLT-1/2-13X1 1/4 GR8 ZINC PLT	20	
14		235726001	BOLT-3/8-16X3/4 GR8 HEX ZINCPLT	4	
15		510337635	WASHER-FLATSAE-.38-.41X.81-16G-YZ	4	

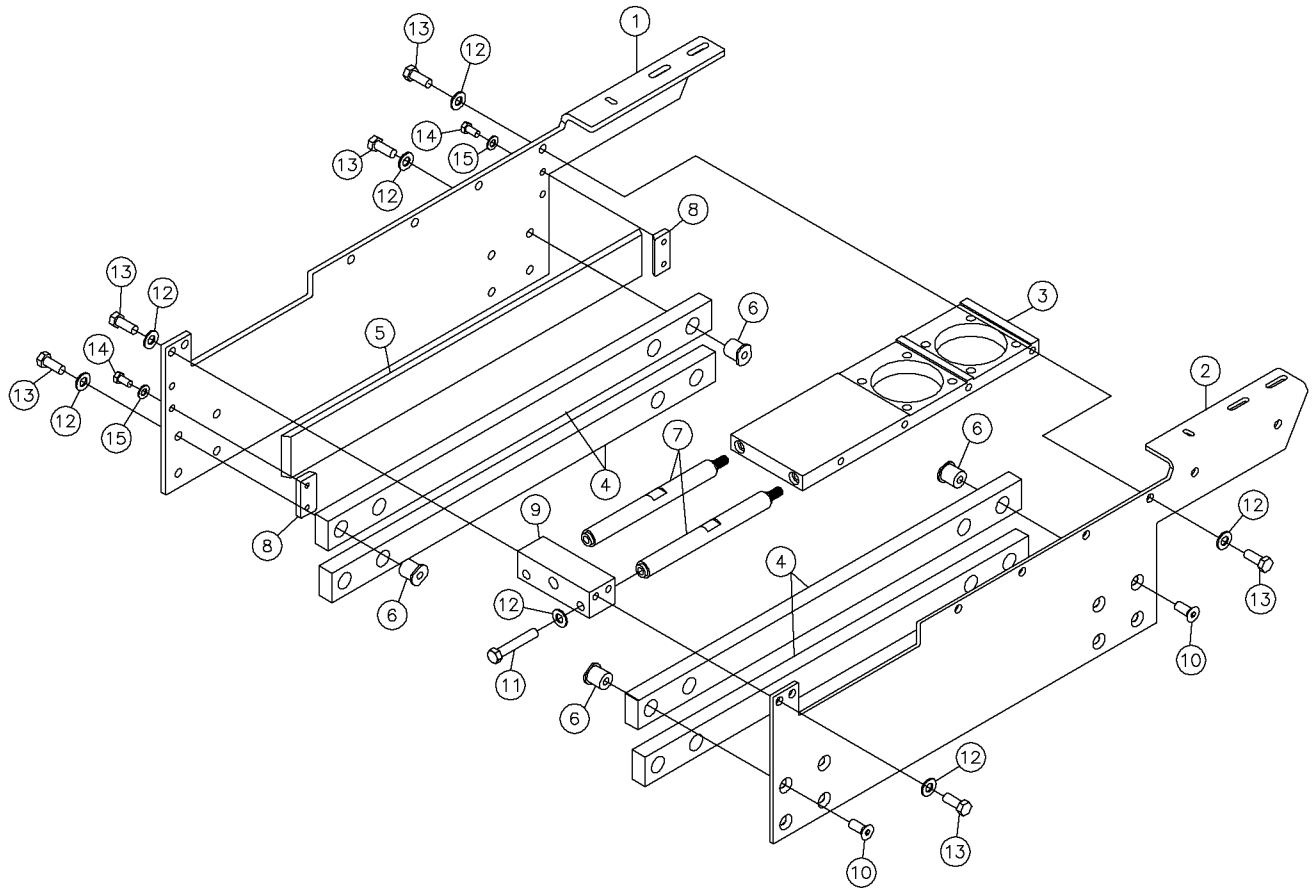
Drill Carriage Fig 2-6r01



## Drill Carriage Fig 2-6r01

REF. NO.	*	PART NO.	DESCRIPTION	QTY.	REMARKS
		Revision Date	March, 2005		Update In Illustration & Parts List.
1		296271386	CARRIAGE SIDE PLATE	1	
2		296276506	CARRIAGE RIGHT SIDE PLATE	1	
3		296271387	MOTOR MOUNT PLATE	1	
4		296277701	PLASTIC - SLIDE MOUNT RACK	2	
5		296271394	CARRIAGE SIDE SPACER	1	
6		296276504	BOSS-FLAT HEAD THREADED	16	
7		296271389	SLIDE ROD	2	S/N 140 & Up
8		296271396	STOP PLASTIC SIDE SPACER	2	
9		296271388	SLIDE MOUNT BAR	1	
10		15411014	SCREW-1/2-13X1 1/4 FLT SHCS	8	
11		235724001	BOLT-1/2-13X3 GR8 HEX ZINC PLT	2	
12		485025	WASHER-1/2 FLAT-HARDENED-YZ	22	
13		235737001	BOLT-1/2-13X1 1/4 GR8 ZINC PLT	20	
14		235726001	BOLT-3/8-16X3/4 GR8 HEX ZINCPLT	4	
15		510337635	WASHER-FLATSAE-.38-.41X.81-16G-YZ	4	

Drill Carriage Fig 2-6

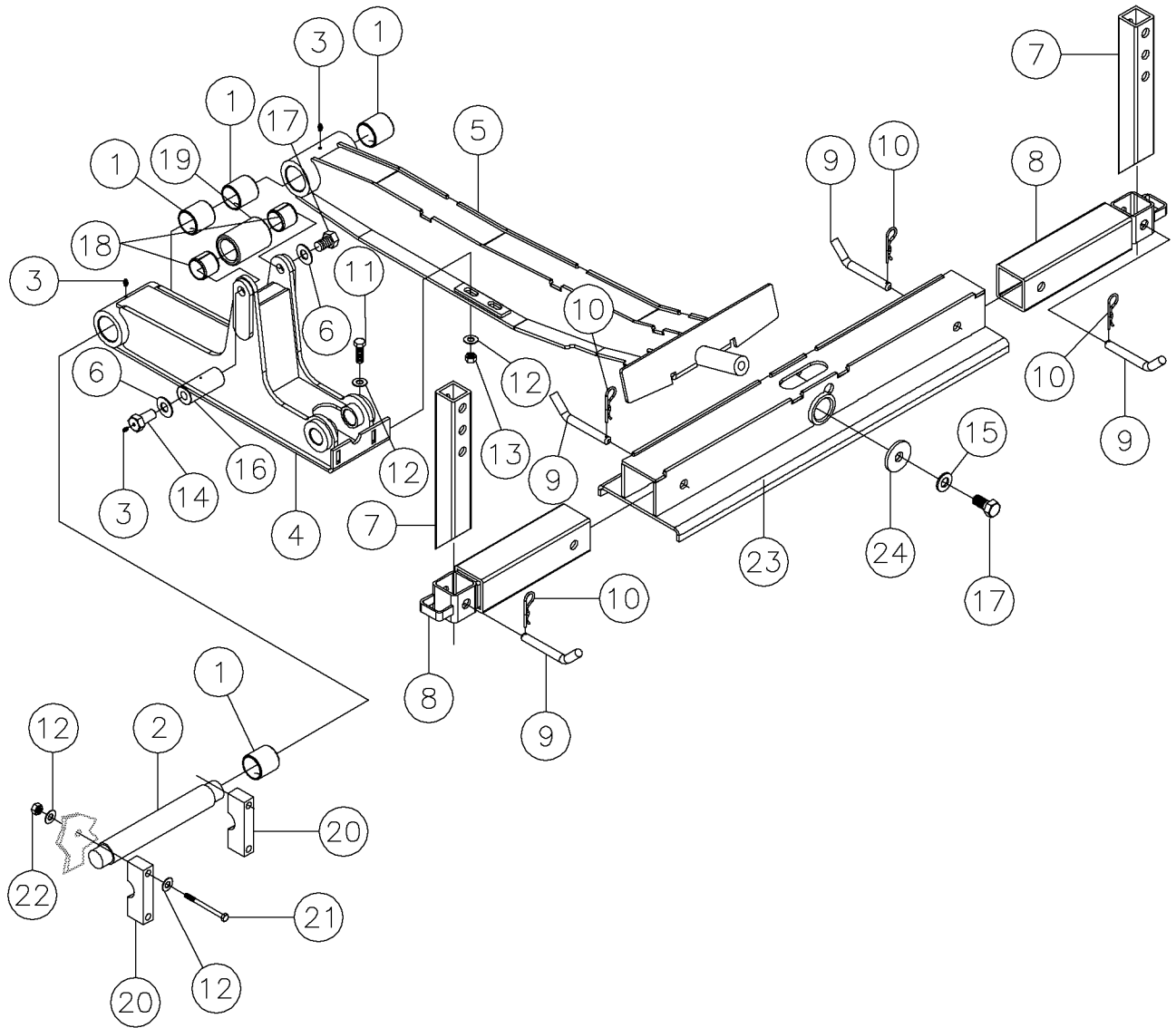




## Drill Carriage Fig 2-6

REF. NO.	*	PART NO.	DESCRIPTION	QTY.	REMARKS
1		296271386	CARRIAGE SIDE PLATE	1	
2		296276506	CARRIAGE RIGHT SIDE PLATE	1	
3		296271387	MOTOR MOUNT PLATE	1	
4		296271393	PLASTIC SLIDE MOUNT	4	
5		296271394	CARRIAGE SIDE SPACER	1	
6		296276504	BOSS-FLAT HEAD THREADED	16	
7		296271389	SLIDE ROD	2	
8		296271396	STOP PLASTIC SIDE SPACER	2	
9		296271388	SLIDE MOUNT BAR	1	
10		15411014	SCREW-1/2-13X1 1/4 FLT SHCS REF 26689-001-1	8	
11		235724001	BOLT-1/2-13X3 GR8 HEX ZINC PLT	2	
12		485025	WASHER-1/2 FLAT-HARDENED-YZ	22	
13		235737001	BOLT-1/2-13X1 1/4 GR8 ZINC PLT	20	
14		235726001	BOLT-3/8-16X3/4 GR8 HEX ZNCPLT	4	
15		510337635	WASHER-FLATSAE-.38-.41X.81-16G-YZ	4	

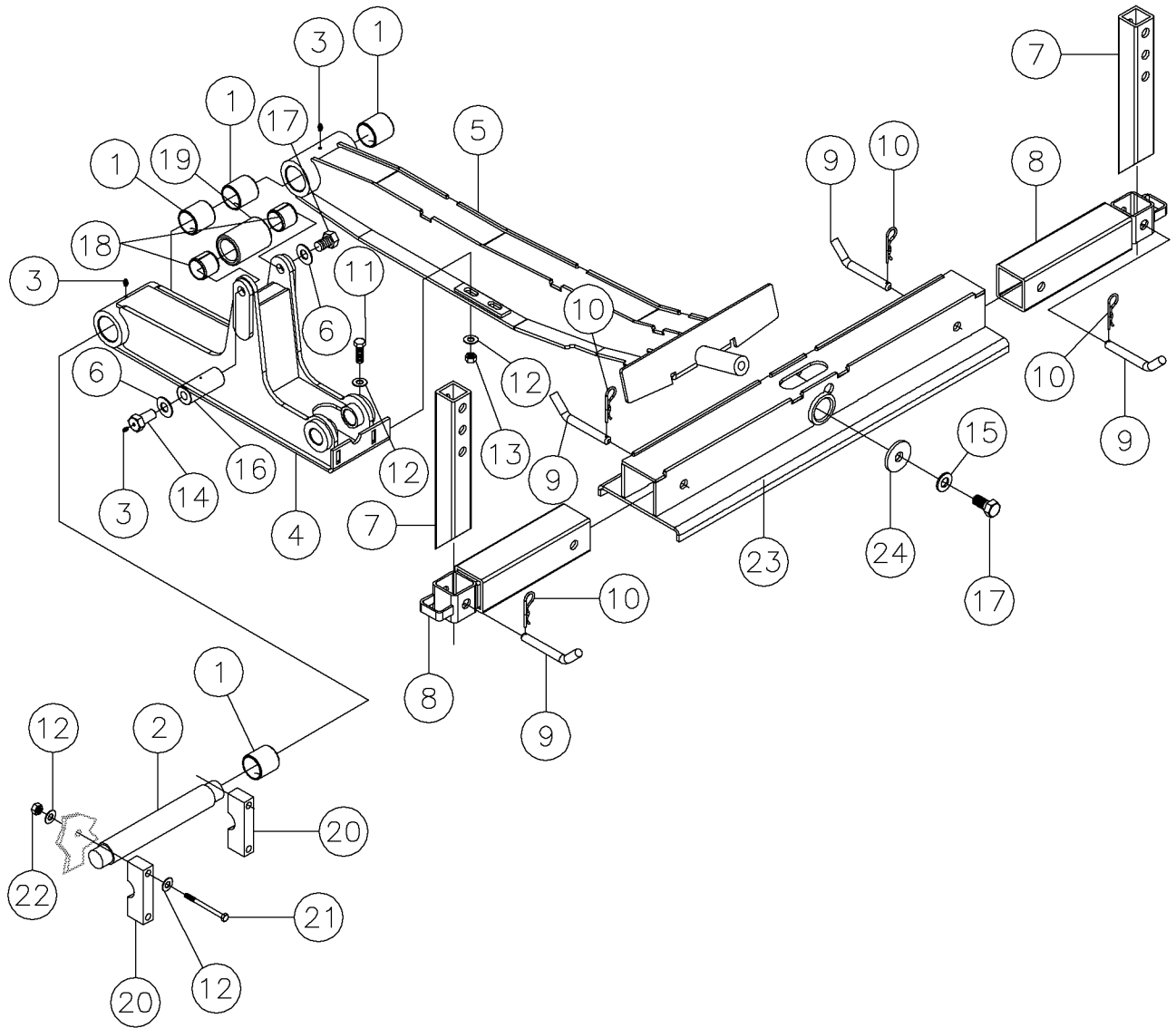
Outrigger (S/N 702-) Fig 2-7r05



## Outrigger (S/N 702-) Fig 2-7r05

REF. NO.	*	PART NO.	DESCRIPTION	QTY.	REMARKS
		Revision Date	June, 2007		Change Outrigger Weldment
1		282797001	BUSHING - SPRING 2 X 1 3/4 X 2	4	
2		296276622	RD BAR - OUTRIGGER PIN	1	
3		598001	FITTING-1/4" NF ST GREASE ZERK	3	
4		296293842	LIFT ARM WELDMENT	1	(S/N 626-)
5	*	296261460	OUTRIGGER WELDMENT	1	(S/N 702-)
6		235717001	WASHER-3/4 FLAT HARDENED YELLOW ZINC	2	
7		296266507	STAKE - OUTRIGGER PAD	2	
8		240116001	EXTENSION-OUTRIGGER FOOT	2	
9		278124001	ROD - FOOT PIN	4	
10		1794003	HAIR PIN COTTER - .148 WIRE	4	
11		240334001	SCREW-HCS-.50-13X1.75-GR8-YZ	2	
12		485025	WASHER-1/2 FLAT-HARDENED-YZ	12	
13		235731001	NUT-1/2-13 GR8 ZINC PLTD	2	
14		296276621	BOT - 3/4-10X1 1/2 GR8 HEX ZYC GREASE	1	
15		295016001	WASHER, USF CUT IRON	1	
16		296276612	BAR - OUTRIGGER ROLLER PIN	1	
17		238217001	BOLT-3/4-10X1 1/2 GR8 HEX ZYC	3	
18		1835029	BSHG.-STL.-1 3/4X1 1/2X1 1/2	2	
19		296276611	BAR - OUTRIGGER ROLLER	1	
20		296276630	PIVOT TOP CAP	2	
21		250568001	SCREW - HCS-.50-13 X 4.50-GR 8-YZ	4	
22		235731001	NUT-1/2-13 GR8 ZINC PLTD	4	
23		296276607	OUTRIGGER FOOT WELDMENT	1	(S/N 550-)
24		295016001	WASHER-FLAT SAE-.75-.81X1.50-14-YZ	1	

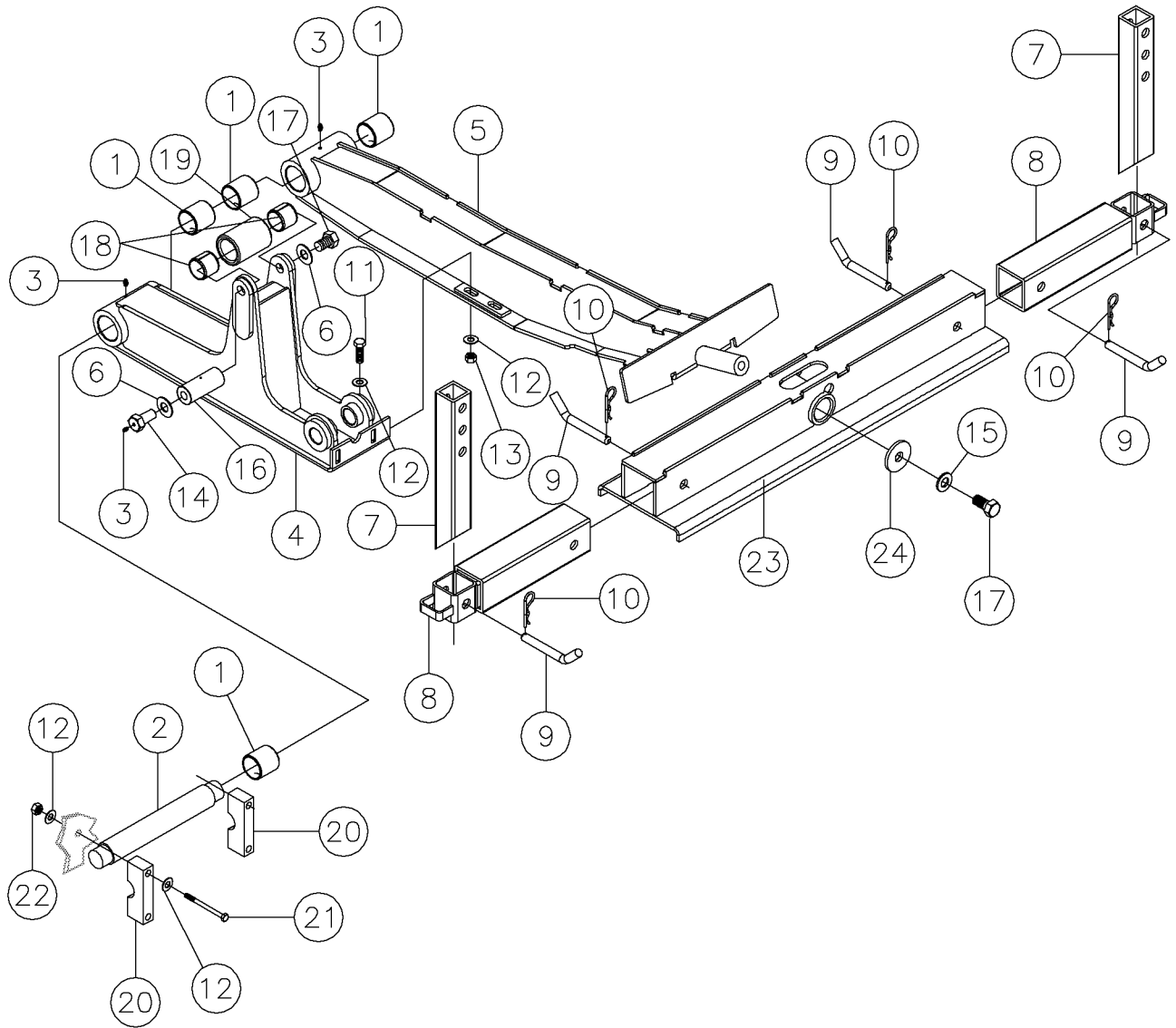
Outrigger (S/N 626-) Fig 2-7r04



## Outrigger (S/N 626-) Fig 2-7r04

REF. NO.	*	PART NO.	DESCRIPTION	QTY.	REMARKS
		Revision Date	June, 2006		Change Lift Arm Weldment
1		282797001	BUSHING - SPRING 2 X 1 3/4 X 2	4	
2		296276622	RD BAR - OUTRIGGER PIN	1	
3		598001	FITTING-1/4" NF ST GREASE ZERK	3	
4		296293842	LIFT ARM WELDMENT	1	(S/N 626-)
5		296275133	OUTRIGGER WELDMENT	1	
6		235717001	WASHER-3/4 FLAT HARDENED YELLOW ZINC	2	
7		296266507	STAKE - OUTRIGGER PAD	2	
8		240116001	EXTENSION-OUTRIGGER FOOT	2	
9		278124001	ROD - FOOT PIN	4	
10		1794003	HAIR PIN COTTER - .148 WIRE	4	
11		235721001	BOLT-1/2-13X1 1/2 GR8 ZINC PLT	2	
12		485025	WASHER-1/2 FLAT-HARDENED-YZ	12	
13		235731001	NUT-1/2-13 GR8 ZINC PLTD	2	
14		296276621	BOT - 3/4-10X1 1/2 GR8 HEX ZYC GREASE	1	
15		295016001	WASHER, USF CUT IRON	1	
16		296276612	BAR - OUTRIGGER ROLLER PIN	1	
17		238217001	BOLT-3/4-10X1 1/2 GR8 HEX ZYC	3	
18		1835029	BSHG.-STL.-1 3/4X1 1/2X1 1/2	2	
19		296276611	BAR - OUTRIGGER ROLLER	1	
20		296276630	PIVOT TOP CAP	2	
21		250568001	SCREW - HCS-.50-13 X 4.50-GR 8-YZ	4	
22		235731001	NUT-1/2-13 GR8 ZINC PLTD	4	
23		296276607	OUTRIGGER FOOT WELDMENT	1	(S/N 550-)
24		295016001	WASHER-FLAT SAE-.75-.81X1.50-14-YZ	1	

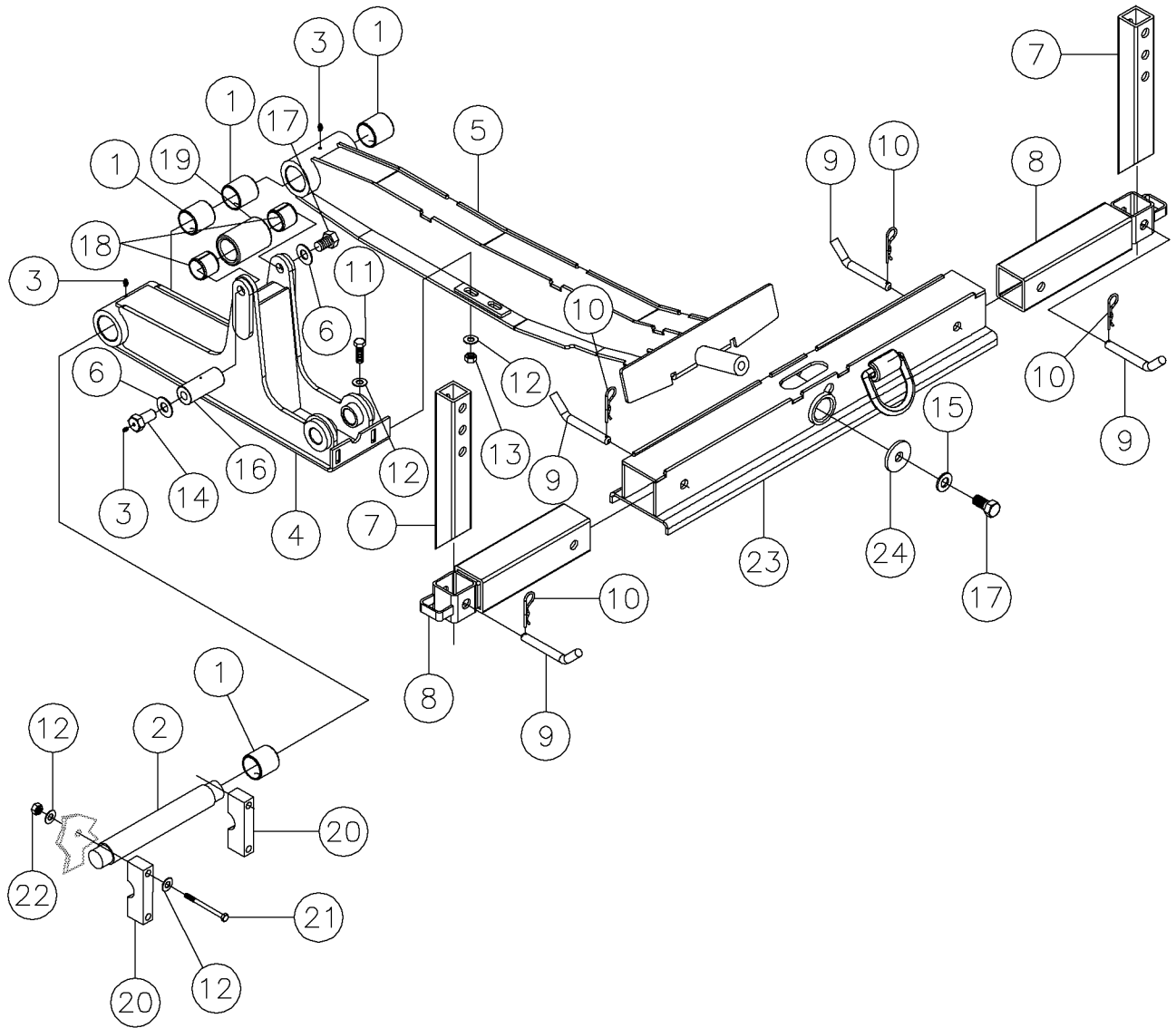
Outrigger (S/N 550-625) Fig 2-7r03



## Outrigger (S/N 550-625) Fig 2-7r03

REF. NO.	*	PART NO.	DESCRIPTION	QTY.	REMARKS
		Revision Date	June, 2006		Added Serial Number
1		282797001	BUSHING - SPRING 2 X 1 3/4 X 2	4	
2		296276622	RD BAR - OUTRIGGER PIN	1	
3		598001	FITTING-1/4" NF ST GREASE ZERK	3	
4		296275131	LIFT ARM WELDMENT	1	
5		296275133	OUTRIGGER WELDMENT	1	
6		235717001	WASHER-3/4 FLAT HARDENED YELLOW ZINC	2	
7		296266507	STAKE - OUTRIGGER PAD	2	
8		240116001	EXTENSION-OUTRIGGER FOOT	2	
9		278124001	ROD - FOOT PIN	4	
10		1794003	HAIR PIN COTTER - .148 WIRE	4	
11		235721001	BOLT-1/2-13X1 1/2 GR8 ZINC PLT	2	
12		485025	WASHER-1/2 FLAT-HARDENED-YZ	12	
13		235731001	NUT-1/2-13 GR8 ZINC PLTD	2	
14		296276621	BOT - 3/4-10X1 1/2 GR8 HEX ZYC GREASE	1	
15		295016001	WASHER, USF CUT IRON	1	
16		296276612	BAR - OUTRIGGER ROLLER PIN	1	
17		238217001	BOLT-3/4-10X1 1/2 GR8 HEX ZYC	3	
18		1835029	BSHG.-STL.-1 3/4X1 1/2X1 1/2	2	
19		296276611	BAR - OUTRIGGER ROLLER	1	
20		296276630	PIVOT TOP CAP	2	
21		250568001	SCREW - HCS-.50-13 X 4.50-GR 8-YZ	4	
22		235731001	NUT-1/2-13 GR8 ZINC PLTD	4	
23		296276607	OUTRIGGER FOOT WELDMENT	1	(S/N 550-)
24		295016001	WASHER-FLAT SAE-.75-.81X1.50-14-YZ	1	

Outrigger (S/N 273-) Fig 2-7r02

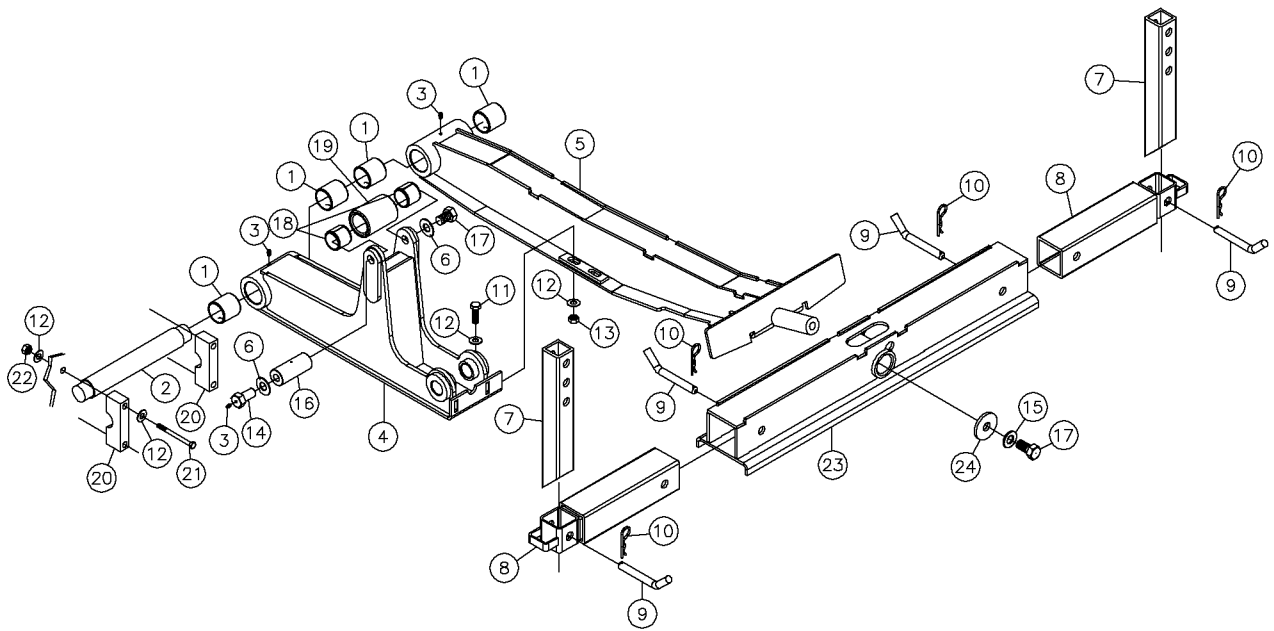




## Outrigger (S/N 273-) Fig 2-7r02

REF. NO.	*	PART NO.	DESCRIPTION	QTY.	REMARKS
		Revision Date	March, 2006		Update In Illustration & Parts List.
1		282797001	BUSHING - SPRING 2 X 1 3/4 X 2	4	
2		296276622	RD BAR - OUTRIGGER PIN	1	
3		598001	FITTING-1/4" NF ST GREASE ZERK	3	
4		296275131	LIFT ARM WELDMENT	1	
5		296275133	OUTRIGGER WELDMENT	1	
6		235717001	WASHER-3/4 FLAT HARDENED YELLOW ZINC	2	
7		296266507	STAKE - OUTRIGGER PAD	2	
8		240116001	EXTENSION-OUTRIGGER FOOT	2	
9		278124001	ROD - FOOT PIN	4	
10		1794003	HAIR PIN COTTER - .148 WIRE	4	
11		235721001	BOLT-1/2-13X1 1/2 GR8 ZINC PLT	2	
12		485025	WASHER-1/2 FLAT-HARDENED-YZ	12	
13		235731001	NUT-1/2-13 GR8 ZINC PLTD	2	
14		296276621	BOT - 3/4-10X1 1/2 GR8 HEX ZYC GREASE	1	
15		295016001	WASHER, USF CUT IRON	1	
16		296276612	BAR - OUTRIGGER ROLLER PIN	1	
17		238217001	BOLT-3/4-10X1 1/2 GR8 HEX ZYC	3	
18		1835029	BSHG.-STL.-1 3/4X1 1/2X1 1/2	2	
19		296276611	BAR - OUTRIGGER ROLLER	1	
20		296276630	PIVOT TOP CAP	2	
21		250568001	SCREW - HCS-.50-13 X 4.50-GR 8-YZ	4	
22		235731001	NUT-1/2-13 GR8 ZINC PLTD	4	
23		296276607	OUTRIGGER FOOT WELDMENT	1	
24		295016001	WASHER-FLAT SAE-.75-.81X1.50-14-YZ	1	

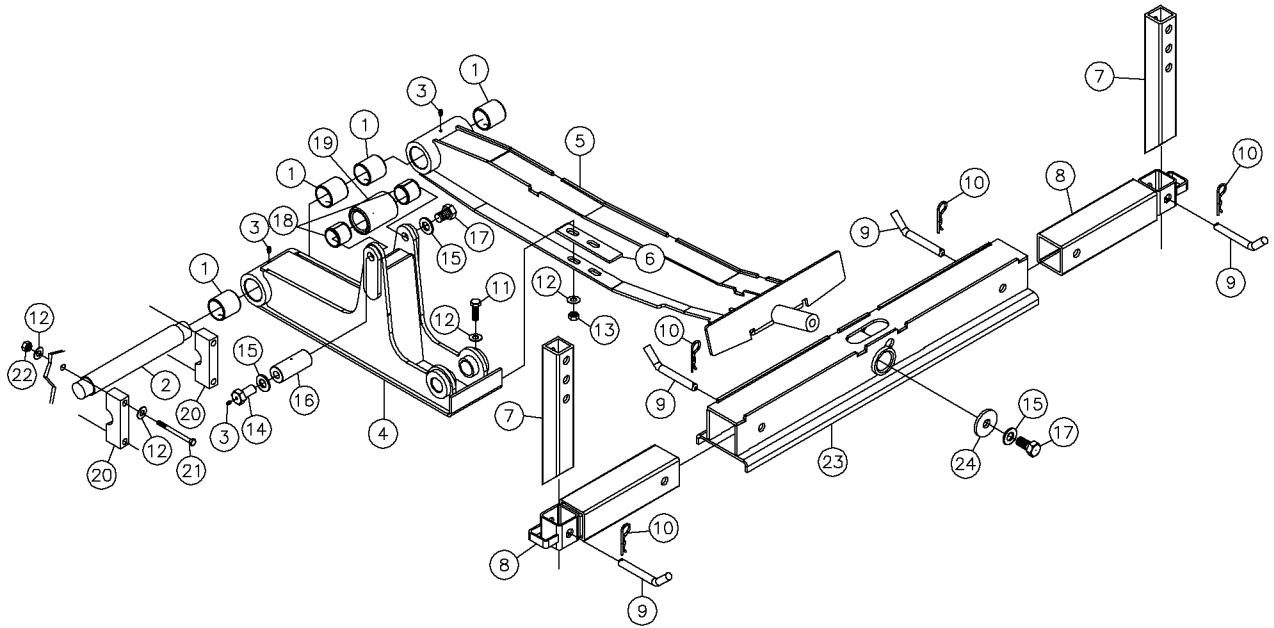
Outrigger Fig 2-7r01



## Outrigger Fig 2-7r01

REF. NO.	*	PART NO.	DESCRIPTION	QTY.	REMARKS
		Revision Date	March, 2005		Update In Illustration & Parts List.
1		282797001	BUSHING - SPRING 2 X 1 3/4 X 2	4	
2		296276622	RD BAR - OUTRIGGER PIN	1	
3		598001	FITTING-1/4" NF ST GREASE ZERK	3	
4		296275131	LIFT ARM WELDMENT	1	
5		296275133	OUTRIGGER WELDMENT	1	
6		235717001	WASHER-3/4 FLAT HARDENED YELLOW ZINC	2	
7		296266507	STAKE - OUTRIGGER PAD	2	
8		240116001	EXTENSION-OUTRIGGER FOOT	2	
9		278124001	ROD - FOOT PIN	4	
10		1794003	HAIR PIN COTTER - .148 WIRE	4	
11		235721001	BOLT-1/2-13X1 1/2 GR8 ZINC PLT	2	
12		485025	WASHER-1/2 FLAT-HARDENED-YZ	12	
13		235731001	NUT-1/2-13 GR8 ZINC PLTD	2	
14		296276621	BOT - 3/4-10X1 1/2 GR8 HEX ZYC GREASE	1	
15		295016001	WASHER, USF CUT IRON	1	
16		296276612	BAR - OUTRIGGER ROLLER PIN	1	
17		238217001	BOLT-3/4-10X1 1/2 GR8 HEX ZYC	3	
18		1835029	BSHG.-STL.-1 3/4X1 1/2X1 1/2	2	
19		296276611	BAR - OUTRIGGER ROLLER	1	
20		296276630	PIVOT TOP CAP	2	
21		250568001	SCREW - HCS-.50-13 X 4.50-GR 8-YZ	4	
22		235731001	NUT-1/2-13 GR8 ZINC PLTD	4	
23		296276607	OUTRIGGER FOOT WELDMENT	1	
24		295016001	WASHER-FLAT SAE-.75-.81X1.50-14-YZ	1	

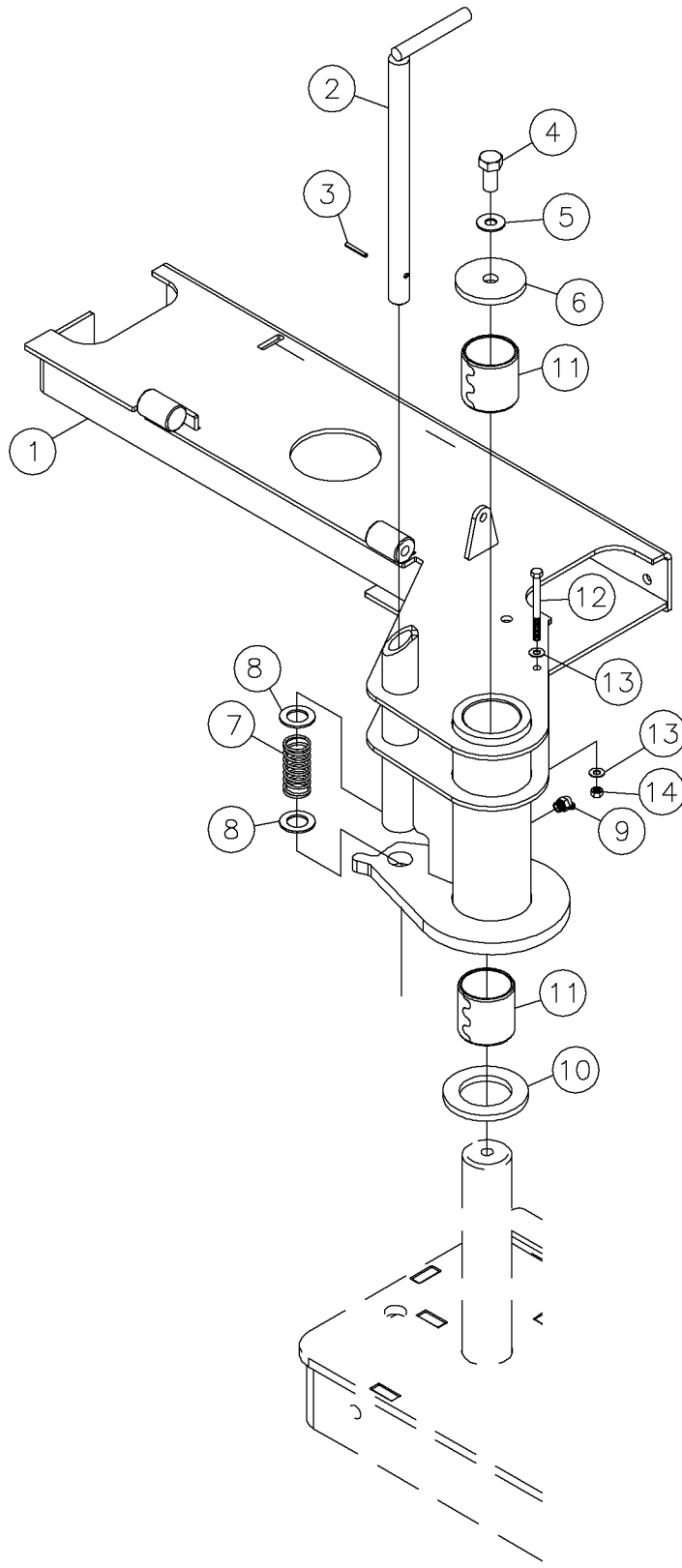
Outrigger Fig 2-7



## Outrigger Fig 2-7

REF. NO.	*	PART NO.	DESCRIPTION	QTY.	REMARKS
1		282797001	BUSHING - SPRING 2 X 1 3/4 X 2	4	
2		296276622	RD BAR - OUTRIGGER PIN	1	
3		598001	FITTING-1/4" NF ST GREASE ZERK	3	
4		296276553	LIFT ARM WELDMENT	1	
5		296276570	OUTRIGGER WELDMENT	1	
6		296276549	BASE PLATE - LIFT ARM	1	
7		296266507	STAKE - OUTRIGGER PAD	2	
8		240116001	EXTENSION-OUTRIGGER FOOT	2	
9		278124001	ROD - FOOT PIN	4	
10		1794003	HAIR PIN COTTER - .148 WIRE	4	
11		235721001	BOLT-1/2-13X1 1/2 GR8 ZINC PLT	2	
12		485025	WASHER-1/2 FLAT-HARDENED-YZ	12	
13		235731001	NUT-1/2-13 GR8 ZINC PLTD	2	
14		296276621	BOT - 3/4-10X1 1/2 GR8 HEX ZYC GREASE	1	
15		295016001	WASHER, USF CUT IRON	4	
16		296276612	BAR - OUTRIGGER ROLLER PIN	1	
17		238217001	BOLT-3/4-10X1 1/2 GR8 HEX ZYC	3	
18		1835029	BSHG.-STL.-1 3/4X1 1/2X1 1/2	2	
19		296276611	BAR - OUTRIGGER ROLLER	1	
20		296276630	PIVOT TOP CAP	2	
21		250568001	SCREW - HCS-.50-13 X 4.50-GR 8-YZ	4	
22		235731001	NUT-1/2-13 GR8 ZINC PLTD	4	
23		296276607	OUTRIGGER FOOT WELDMENT	1	
24		295016001	WASHER-FLAT SAE-.75-.81X1.50-14-YZ	1	

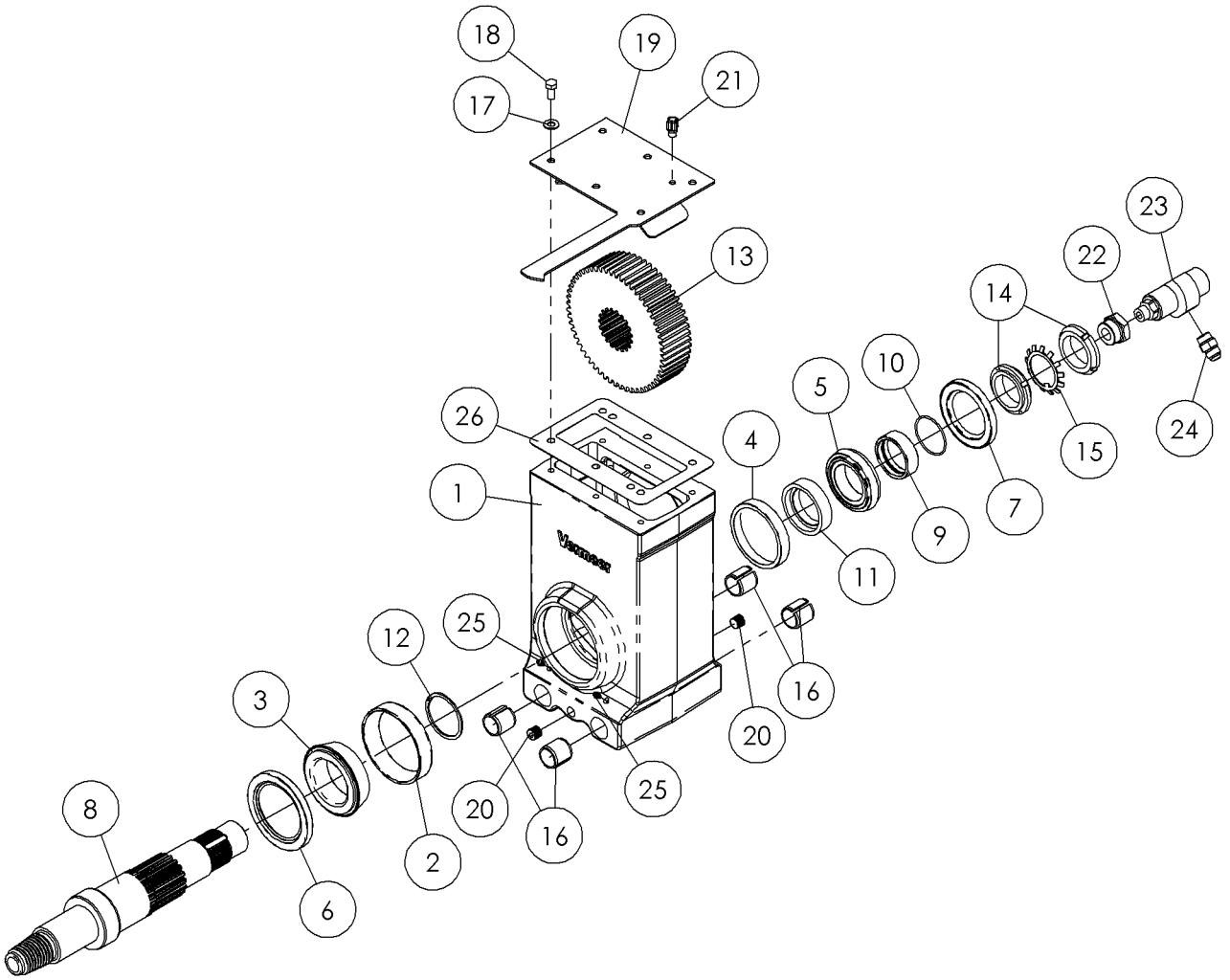
Seat Platform Fig 2-8



## Seat Platform Fig 2-8

REF. NO.	*	PART NO.	DESCRIPTION	QTY.	REMARKS
1		296277641	SEAT PLATFORM SWING ARM	1	
2		296276717	PIN - SEAT PIVOT	1	
3		1788043	PIN-EXPANSION 1/8X1	1	
4		235729001	SCREW-HCS-.50-13X1.00-GR8-YZ	1	
5		489009	WASHER-13/16ODX13/32IDX16GASAE	1	
6		3808001	CAP-SHAFT	1	
7		1803023	SPRING - COMP. #67 2" OA	1	
8		483025	WASHER-1 1/4X3/4X14 GA M.B.	1	
9		588001	ZERK-1/8" NPT 45 DEG GREASE	1	
10		296260403	SPACER - SEAT SWIVEL	1	
11		282797001	BUSHING - SPRING 2 X 1 3/4 X 2	2	
12		124631026	BOLT-1/4-20X2 3/4 GR8 HEX ZINC	1	
13		252251001	WASHER-1/4 SAE FLAT ZP	2	
14		235732001	NUT - HEX - .25 - 20 - GR8 - YZ	1	

Gearbox Fig 2-9r03

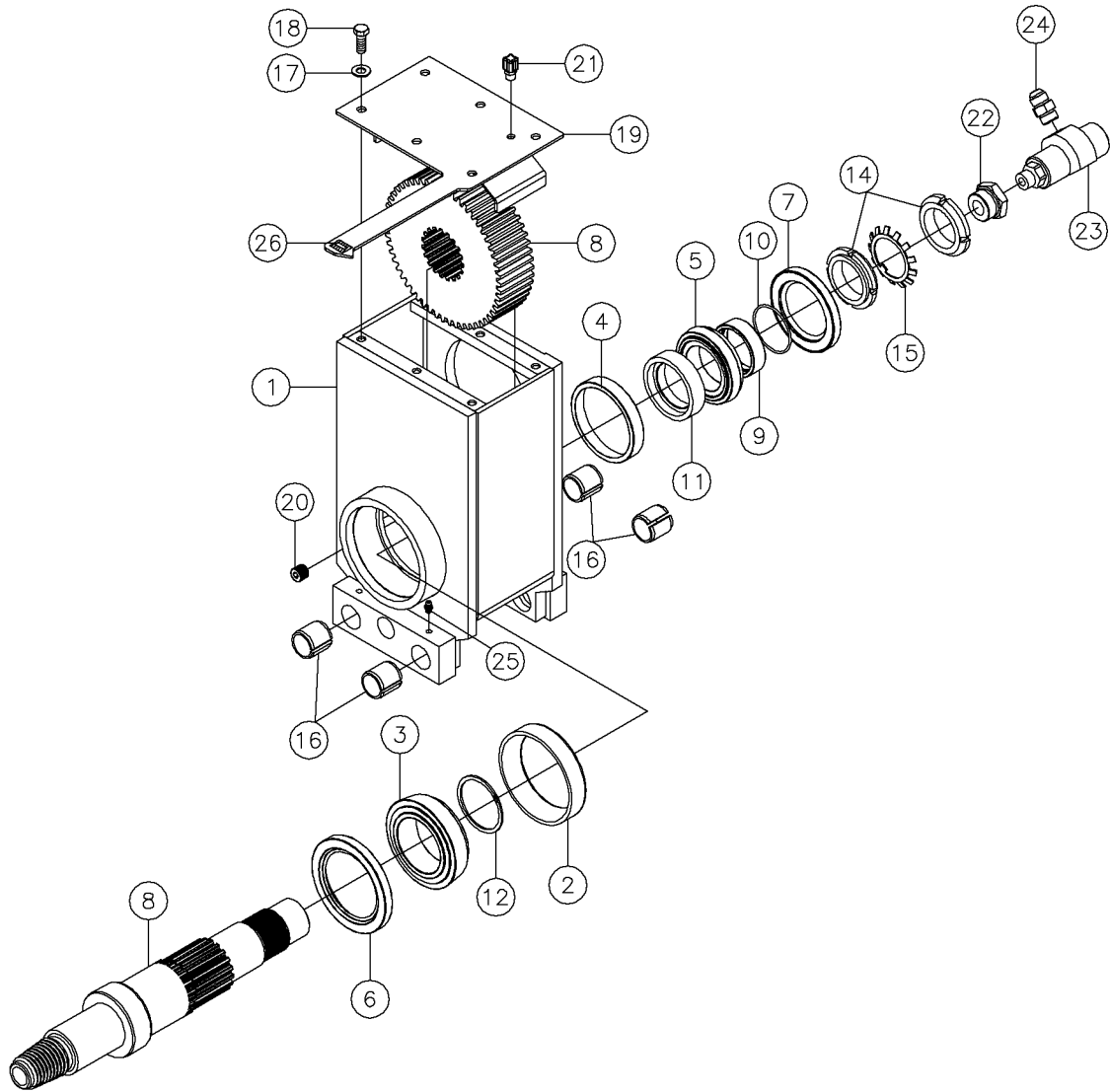




## Gearbox Fig 2-9r03

REF. NO.	*	PART NO.	DESCRIPTION	QTY.	REMARKS
		Revision Date	October, 2006		Changed from Welded to Cast Gearbox
1	*	296280921	GEARBOX ROTATION MACH	1	
2		1715013	TIMKEN CUP-2 1/2" #3920	1	
3		4771061	BRG. CONE 3994	1	
4		1715001	TIMKEN CUP-2 1/4" #382A	1	
5		1716097	CONE-2 1/8" BRG.	1	
6		240266001	SEAL-4.501ODX3.125IDX.438 WIDE	1	
7		214201001	SEAL-#25100	1	
8		296271392	SHAFT ROTATION GEARBOX	1	
9		229433001	SLEEVE-SEAL	1	
10		214202001	O-RING #138	1	
11		235627001	TUBE-GEAR SPACER	1	
12		224896250	SNAP RING-2 1/2" EXTERNAL	1	
13		296278711	GEAR 57 TOOTH ROTATION GEARBOX	1	
14		214200001	LOCKNUT-SLOTTED 2"-18 NF	2	
15		94594007	LOCKWASHER-2.844DIA.OVER TANGS	1	
16		1835017	BSHG.-STL.-1 1/4 X 1 X 1 1/4	4	
17		510337635	WASHER-FLATSAE-.38-.41X.81-16G-YZ	6	
18	*	235726001	BOLT-3/8-16X3/4 GR8 HEX ZNCPLT	6	
19		296277624	GEARBOX COVER WELDMENT	1	
20		79497001	PLUG-3/8 SOCKET PIPE	2	
21		599001	BREATHER VENT-1/8 NPT 131000	1	
22		121438001	FITTING-16X8 ORINGPORT REDUCER	1	
23		234744001	FITTING-8M X 8F 90 DEG SWIVEL - NICKEL PLATED	1	
24		53824001	FITTING-#8M O-RING-#8M JIC ST.	1	
25	*	598001	FITTING-1/4" NF ST GREASE ZERK	2	
26	*	296291795	GASKET-GEARBOX TOP	1	

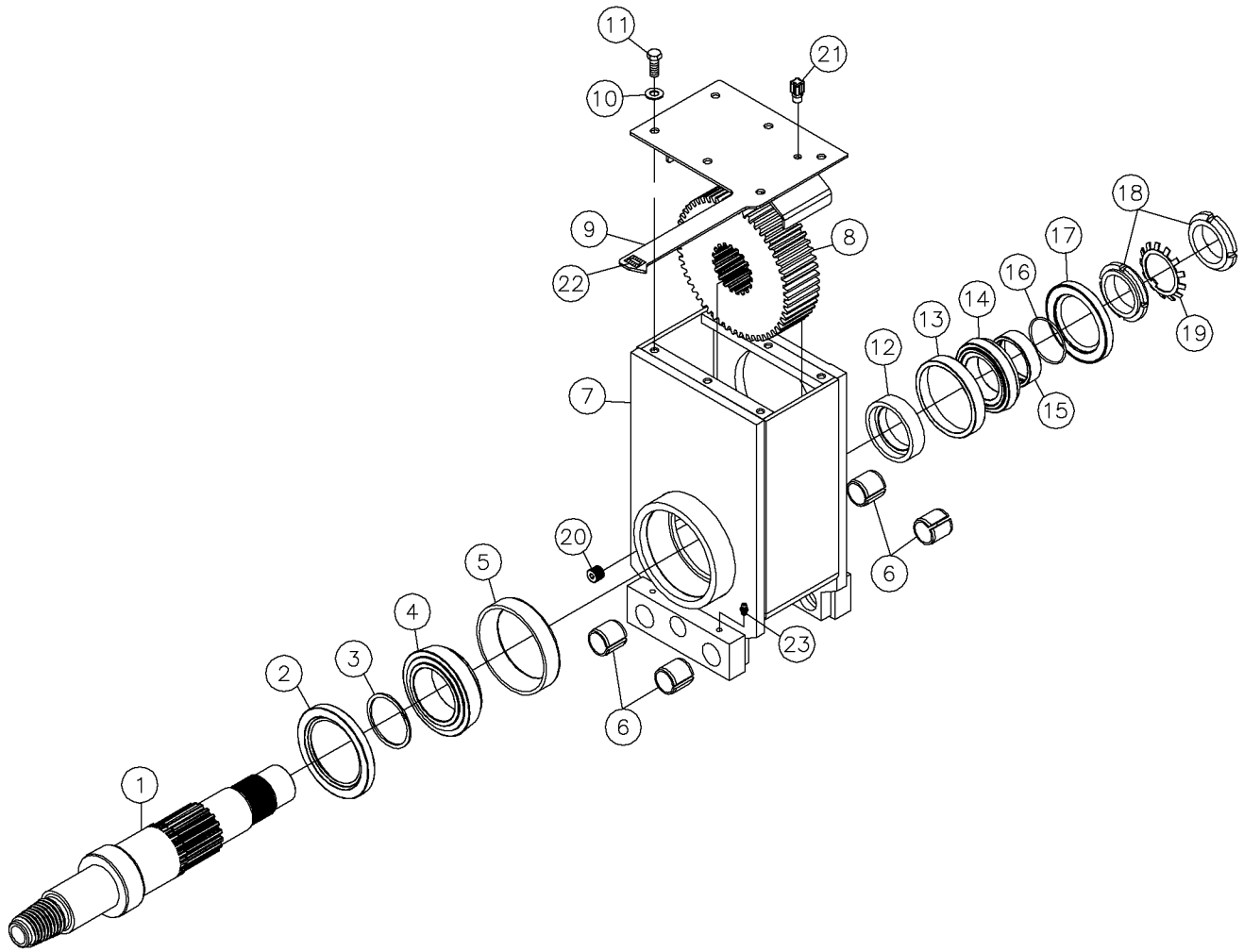
Gearbox Fig 2-9r02



## Gearbox Fig 2-9r02

REF. NO.	*	PART NO.	DESCRIPTION	QTY.	REMARKS
		Revision Date	March, 2006		Update In Illustration & Parts List.
1		296261351	ROTATION GEARBOX MACHINED	1	S/N 145 & Up
2		1715013	TIMKEN CUP-2 1/2" #3920	1	
3		4771061	BRG. CONE 3994	1	
4		1715001	TIMKEN CUP-2 1/4" #382A	1	
5		1716097	CONE-2 1/8" BRG.	1	
6		240266001	SEAL-4.501ODX3.125IDX.438 WIDE	4	
7		214201001	SEAL-#25100	1	
8		296271392	SHAFT ROTATION GEARBOX	1	
9		229433001	SLEEVE-SEAL	1	
10		214202001	O-RING #138	6	
11		235627001	TUBE-GEAR SPACER	6	
12		224896250	SNAP RING-2 1/2" EXTERNAL	1	
13		296278711	GEAR 57 TOOTH ROTATION GEARBOX	1	
14		214200001	LOCKNUT-SLOTTED 2"-18 NF	1	
15		94594007	LOCKWASHER-2.844DIA.OVER TANGS	1	
16		1835017	BSHG.-STL.-1 1/4 X 1 X 1 1/4	1	
17		510337635	WASHER-FLATSAE-.38-.41X.81-16G-YZ	1	
18		235727001	BOLT-3/8-16X1 GR8 HEX ZYC	2	
19		296283982	GEARBOX COVER WELDMENT	1	
20		79497001	PLUG-3/8 SOCKET PIPE	1	
21		599001	BREATHER VENT-1/8 NPT 131000	1	
22		121438001	FITTING-16X8 ORINGPORT REDUCER	A/R	
23		234744001	FITTING-8M X 8F 90 DEG SWIVEL - NICKEL PLATED	4	
24		53824001	FITTING-#8M O-RING-#8M JIC ST.	1	
25		598001	FITTING-1/4" NF ST GREASE ZERK	1	S/N 145 & Up
26		2326142	DECAL-INDICATOR	1	P/N Qty. Of 1 = 1 Foot

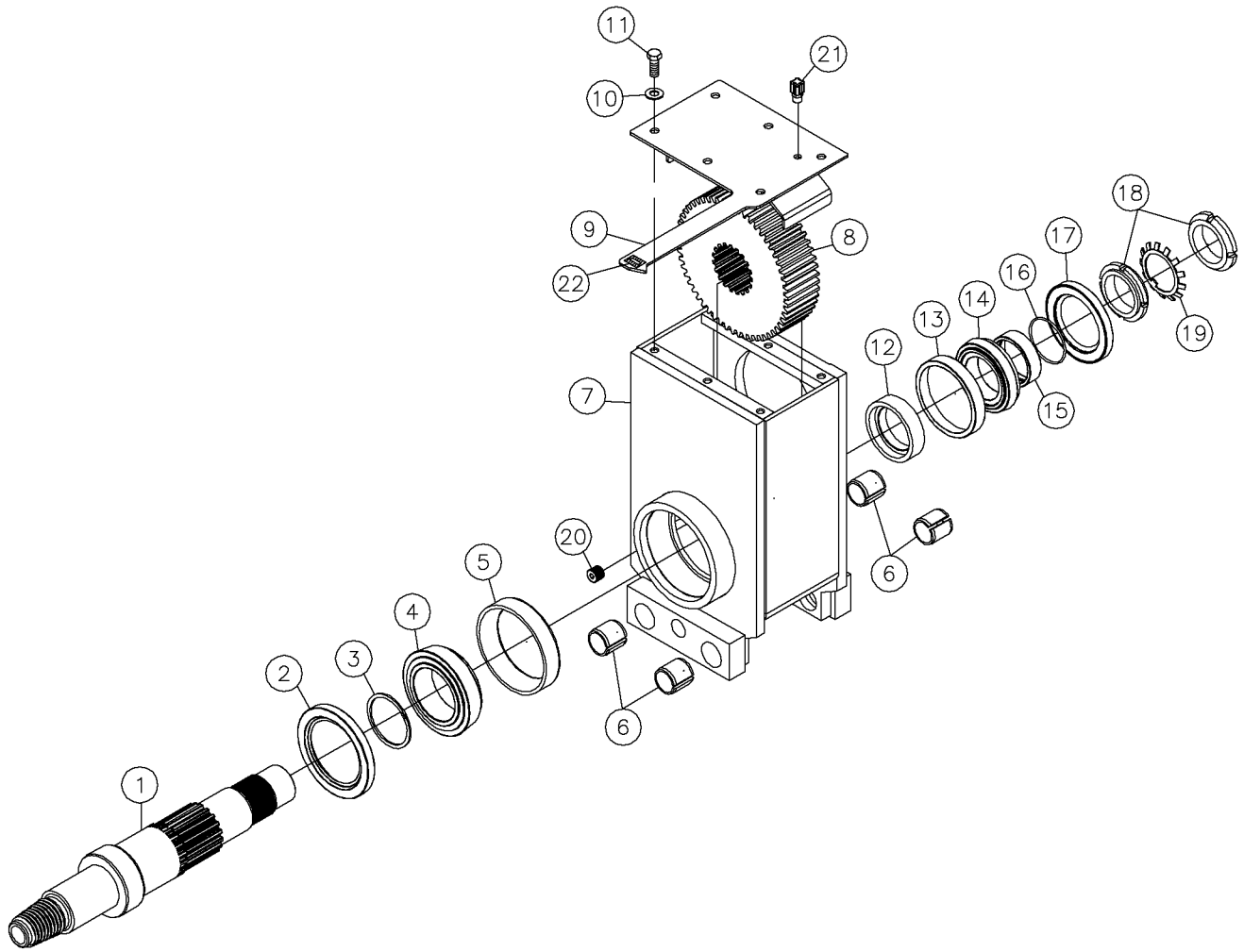
Gearbox Fig 2-9r01



## Gearbox Fig 2-9r01

REF. NO.	*	PART NO.	DESCRIPTION	QTY.	REMARKS
		Revision Date	March, 2005		Update In Illustration & Parts List.
1		296271392	SHAFT ROTATION GEARBOX	1	
2		240266001	SEAL-4.501ODX3.125IDX.438 WIDE	1	
3		224896250	SNAP RING-2 1/2" EXTERNAL	1	
4		4771061	BRG. CONE 3994	1	
5		1715013	TIMKEN CUP-2 1/2" #3920	1	
6		1835017	BSHG.-STL.-1 1/4 X 1 X 1 1/4	4	
7		296261351	ROTATION GEARBOX MACHINED	1	S/N 145 & Up
8		235609001	GEAR 55 TOOTH	1	
9		296277624	GEARBOX COVER WELDMENT	1	
10		510337635	WASHER-FLATSAE-.38-.41X.81-16G-YZ	6	
11		235727001	BOLT-3/8-16X1 GR8 HEX ZINC PLT	6	
12		235627001	TUBE-GEAR SPACER	1	
13		1715001	TIMKEN CUP-2 1/4" #382A	1	
14		1716097	CONE-2 1/8" BRG.	1	
15		229433001	SLEEVE-SEAL	1	
16		214202001	O-RING #138	1	
17		214201001	SEAL-#25100	1	
18		214200001	LOCKNUT-SLOTTED 2"-18 NF	2	
19		94594007	LOCKWASHER-2.844DIA.OVER TANGS	1	
20		79497001	PLUG-3/8 SOCKET PIPE	1	
21		599001	BREATHER VENT-1/8 NPT 131000	1	
22		2326142	DECAL-INDICATOR	A/R	P/N Qty. Of 1 = 1 Foot
23		598001	FITTING-1/4" NF ST GREASE ZERK	4	S/N 145 & Up

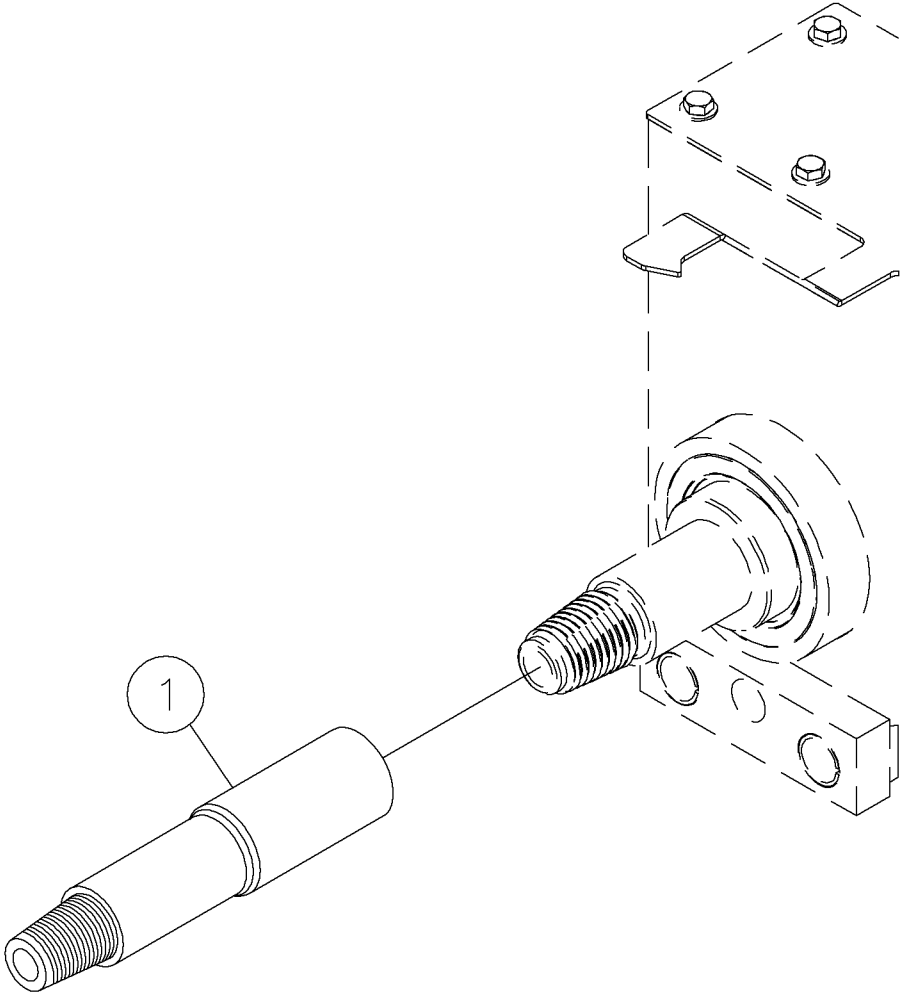
Gearbox Fig 2-9



## Gearbox Fig 2-9

REF. NO.	*	PART NO.	DESCRIPTION	QTY.	REMARKS
1		296271392	SHAFT ROTATION GEARBOX	1	
2		240266001	SEAL-4.501ODX3.125IDX.438 WIDE	1	
3		224896250	SNAP RING-2 1/2" EXTERNAL	1	
4		4771061	BRG. CONE 3994	1	
5		1715013	TIMKEN CUP-2 1/2" #3920	1	
6		1835017	BSHG.-STL.-1 1/4 X 1 X 1 1/4	4	
7		296261351	ROTATION GEARBOX MACHINED	1	
8		235609001	GEAR 55 TOOTH	1	
9		296277624	GEARBOX COVER WELDMENT	1	
10		510337635	WASHER-FLATSAE-.38-.41X.81-16G-YZ	6	
11		235727001	BOLT-3/8-16X1 GR8 HEX ZINC PLT	6	
12		235627001	TUBE-GEAR SPACER	1	
13		1715001	TIMKEN CUP-2 1/4" #382A	1	
14		1716097	CONE-2 1/8" BRG.	1	
15		229433001	SLEEVE-SEAL	1	
16		214202001	O-RING #138	1	
17		214201001	SEAL-#25100	1	
18		214200001	LOCKNUT-SLOTTED 2"-18 NF	2	
19		94594007	LOCKWASHER-2.844DIA.OVER TANGS	1	
20		79497001	PLUG-3/8 SOCKET PIPE	1	
21		599001	BREATHER VENT-1/8 NPT 131000	1	
22		2326142	DECAL-INDICATOR	A/R	P/N Qty. Of 1 = 1 Foot

Drive Chuck Fig 2-10

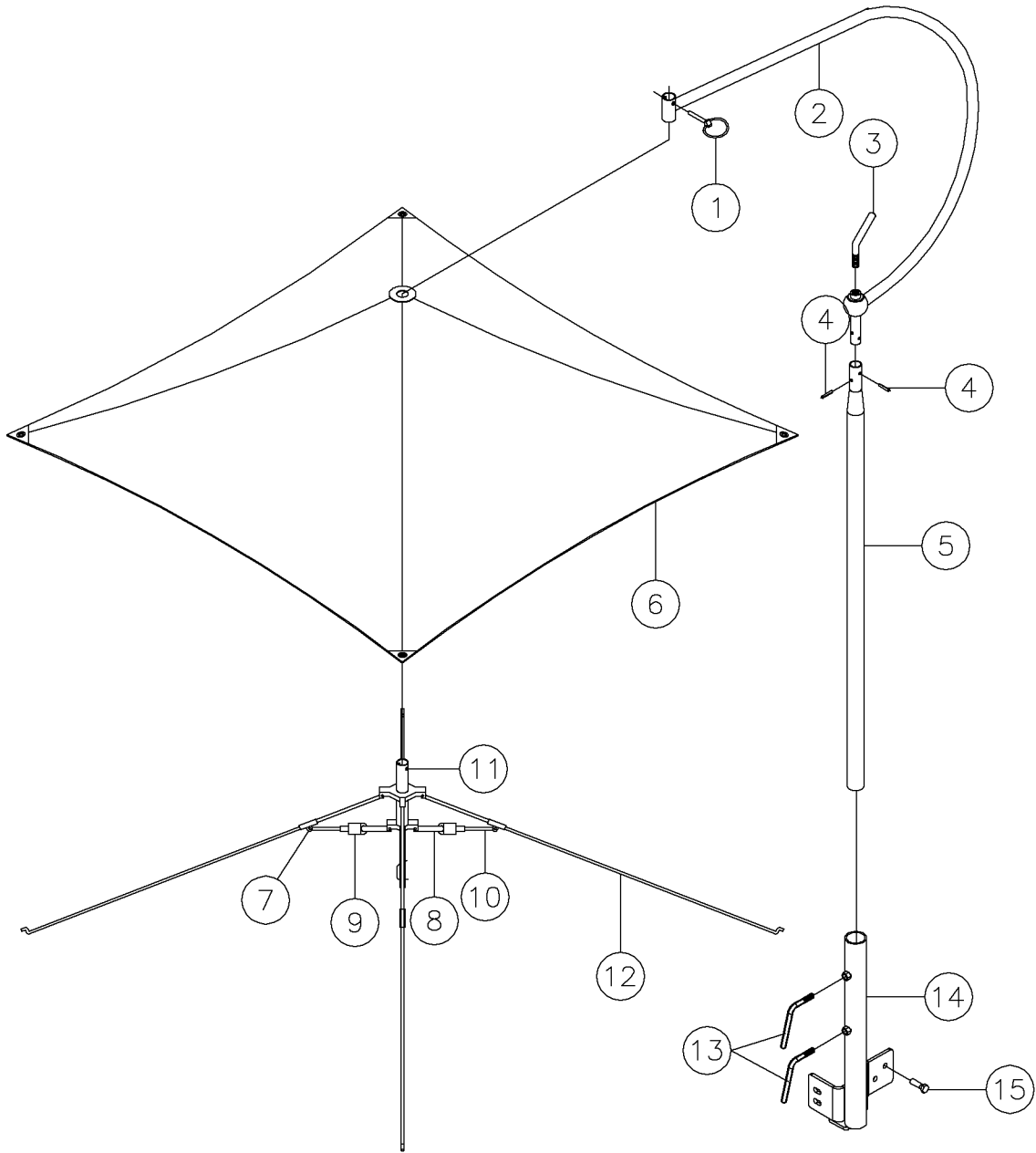




Drive Chuck Fig 2-10

REF. NO.	*	PART NO.	DESCRIPTION	QTY.	REMARKS
1		296276507	SUB SAVER	1	

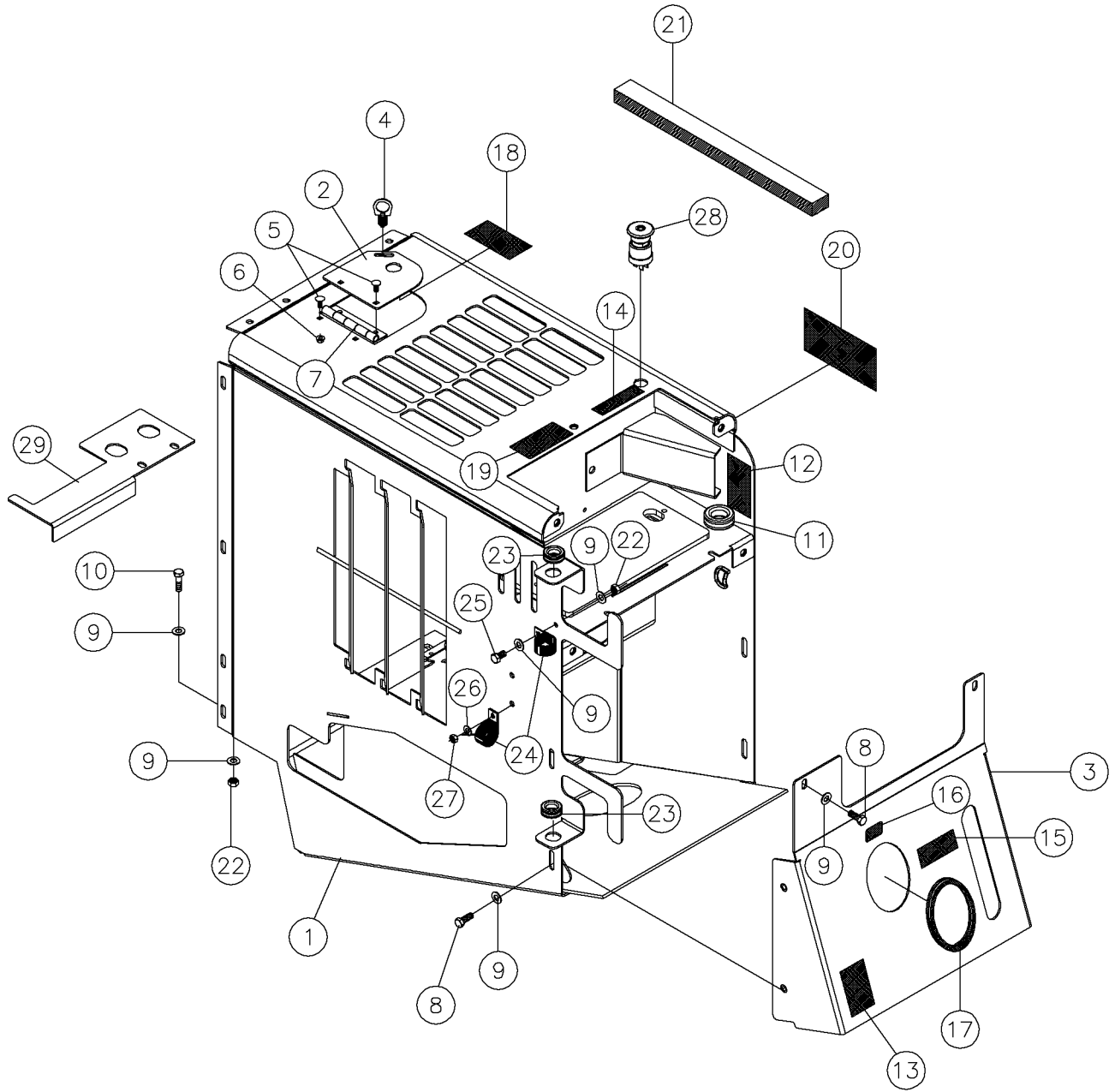
Umbrella Fig 2-11



## Umbrella Fig 2-11

REF. NO.	*	PART NO.	DESCRIPTION	QTY.	REMARKS
		Revision Date	March, 2006		Addition To Manual
1		1797003	PIN-QUICK ATTACHMENT LATCH 1/4"-XCX 6M DIA"	1	
2		238181003	CURVED SHAFT	1	
3		238181005	LOCKING HANDLE	1	
4		1978011	PIN ROLL 3/16 X 1 ZINC	2	
5		238181007	SUPPORT SHAFT-UMBRELLA	1	
6		240103001	SHEATH-UMBRELLA	1	
7		238181011	RIVET-PUSH PIN	12	
8		238181013	TUBE-PUSH ROD	4	
9		238181015	CLIP-PUSH ROD LOCKING SPRING	4	
10		238181017	PUSH ROD	4	
11		238181019	CENTER TUBE W/ SPIDERS	1	
12		238181021	BOW W/ CLEVIS	4	
13		240038001	BOLT-TIGHTENING 3/8"	2	
14		296281134	MOUNT - UMBRELLA	1	
15		235736001	BOLT-3/8-16X1 1/4 ZYC	4	
		238181001	UMBRELLA-ASSY (PARTS REPAIR)		Inc Ref No's 1-12
		240102001	FRAME-UMBRELLA		Inc Ref No's 2-5 & 7-12

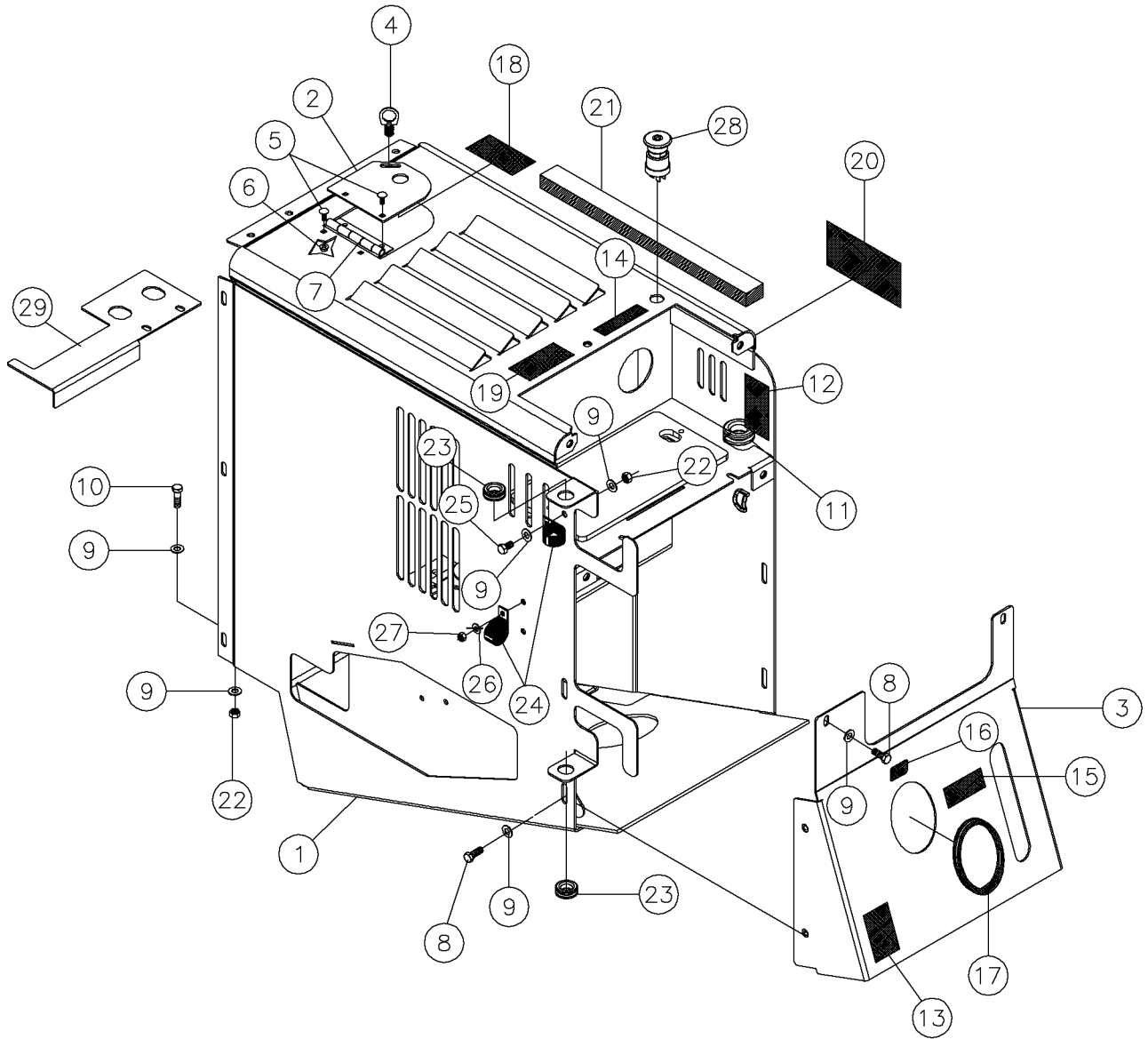
Rear Shield (S/N 652, 697, 699, 703-708, 709-) Fig 3-1r05



## Rear Shield (S/N 652, 697, 699, 703-708, 709-) Fig 3-1r05

REF. NO.	*	PART NO.	DESCRIPTION	QTY.	REMARKS
		Revision Date	August, 2007		Change Rear Shield Weldment
1	*	296299070	WELDMENT - REAR SHIELD	1	(S/N 652, 697, 699, 703-708, 710-716-)
2		251594001	DOOR	1	(REPAIR ONLY)
3		296277542	FUEL TANK COVER	1	
4		86113001	FASTENER-1/4 TURN	1	
5		373005	BOLT-1/4-20X5/8 GR5 CARRIAGE	4	
6		1809005	NUT-1/4 SM FLGE T.L.	4	
7		251524001	HINGE - DOOR	1	
8		235727001	BOLT-3/8-16X1 GR8 HEX ZINC PLT	7	
9		510337635	WASHER-FLATSAE-.38-.41X.81-16G-YZ	11	
10		235736001	BOLT-3/8-16X1 1/4 ZINC PLTD	3	
11		277362001	GROMMET 1.5"OD X 1" ID	1	
12		70000044	DECAL-WARNING	1	(AT/UND) Domestic
		7000I044	DECAL-WARNING	1	International
13		7000B304	DECAL - WARNING	1	Domestic
		700IB304	DECAL - WARNING	1	International
14		700IB807	DECAL - E-STOP	1	
15		2326324	DECAL-WARNING/REFUEL	1	Domestic
		2326I324	DECAL - WARING EXPLOSION	1	International
16		70000098	DECAL-DIESEL	1	(AT/UND) Domestic
		7000I098	DECAL-DIESEL FUEL	1	International
17		97456001	SEAL-BULB EDGE 1/8" STYLE	1	(1.5 Foot)
18		2326315	DECAL-WARNING	1	Domestic
		2326I315	DECAL-WARNING	1	International
19		7000C339	DECAL - PARKING	1	
20		7000A576	DECAL-DANGER	1	Domestic
		700IA576	DECAL-DANGER	1	International
21		296280341	FOAM - TOP RADIATOR	1	
22		235725001	NUT - HEX - .38 - 16 - GR8 - YZ	4	
23		1865043	GROMMET-.75IDX1.38OD-.19GROOVE	2	
24		2595001	HOSE CLAMP - TS7FR 1/2"	2	
25		235726001	BOLT-3/8-16X3/4 GR8 HEX ZNCPLT	1	
26		510337605	WASHER-FLATSTD-.31-.38X.88-.08-YZ	1	
27		235741001	NUT - HEX - .31 - 18 - GR8 - YZ	1	
28		296259684	BUTTON - RED PUSH/PULL	1	
29		296293800	PLATE - BLOCK OFF	1	

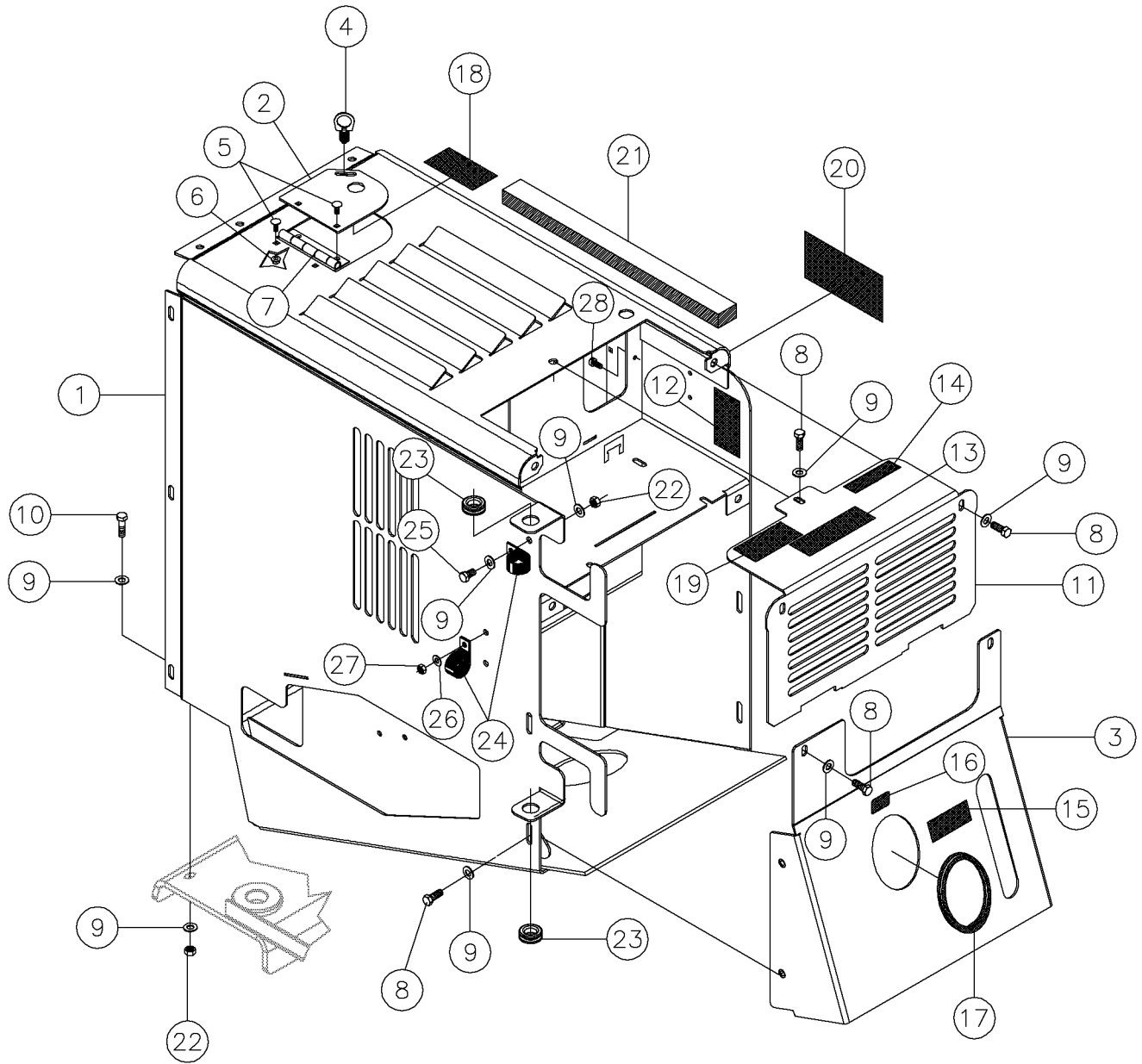
Rear Shield (S/N 588-715) Fig 3-1r04



## Rear Shield (S/N 588-715) Fig 3-1r04

REF. NO.	*	PART NO.	DESCRIPTION	QTY.	REMARKS
		Revision Date	April, 2007		Added Grommet
1		296293796	WELDMENT - REAR SHIELD	1	(S/N 588-)
2		251594001	DOOR	1	(REPAIR ONLY)
3		296277542	FUEL TANK COVER	1	
4		86113001	FASTENER-1/4 TURN	1	
5		373005	BOLT-1/4-20X5/8 GR5 CARRIAGE	4	
6		1809005	NUT-1/4 SM FLGE T.L.	4	
7		251524001	HINGE - DOOR	1	
8		235727001	BOLT-3/8-16X1 GR8 HEX ZINC PLT	7	
9		510337635	WASHER-FLATSAE-.38-.41X.81-16G-YZ	11	
10		235736001	BOLT-3/8-16X1 1/4 ZINC PLTD	3	
11	*	277362001	GROMMET 1.5"OD X 1" ID	1	
12		70000044	DECAL-WARNING	1	(AT/UND) Domestic
		7000I044	DECAL-WARNING	1	International
13		7000B304	DECAL - WARNING	1	Domestic
		700IB304	DECAL - WARNING	1	International
14		700IB807	DECAL - E-STOP	1	
15		2326324	DECAL-WARNING/REFUEL	1	Domestic
		2326I324	DECAL - WARING EXPLOSION	1	International
16		70000098	DECAL-DIESEL	1	(AT/UND) Domestic
		7000I098	DECAL-DIESEL FUEL	1	International
17		97456001	SEAL-BULB EDGE 1/8" STYLE	1	(1.5 Foot)
18		2326315	DECAL-WARNING	1	Domestic
		2326I315	DECAL-WARNING	1	International
19		7000C339	DECAL - PARKING	1	
20		7000A576	DECAL-DANGER	1	Domestic
		700IA576	DECAL-DANGER	1	International
21		296280341	FOAM - TOP RADIATOR	1	
22		235725001	NUT - HEX - .38 - 16 - GR8 - YZ	4	
23		1865043	GROMMET-.75IDX1.38OD-.19GROOVE	2	
24		2595001	HOSE CLAMP - TS7FR 1/2"	2	
25		235726001	BOLT-3/8-16X3/4 GR8 HEX ZNCPLT	1	
26		510337605	WASHER-FLATSTD-.31-.38X.88-.08-YZ	1	
27		235741001	NUT - HEX - .31 - 18 - GR8 -YZ	1	
28		296259684	BUTTON - RED PUSH/PULL	1	
29		296293800	PLATE - BLOCK OFF	1	

Rear Shield Fig 3-1r03

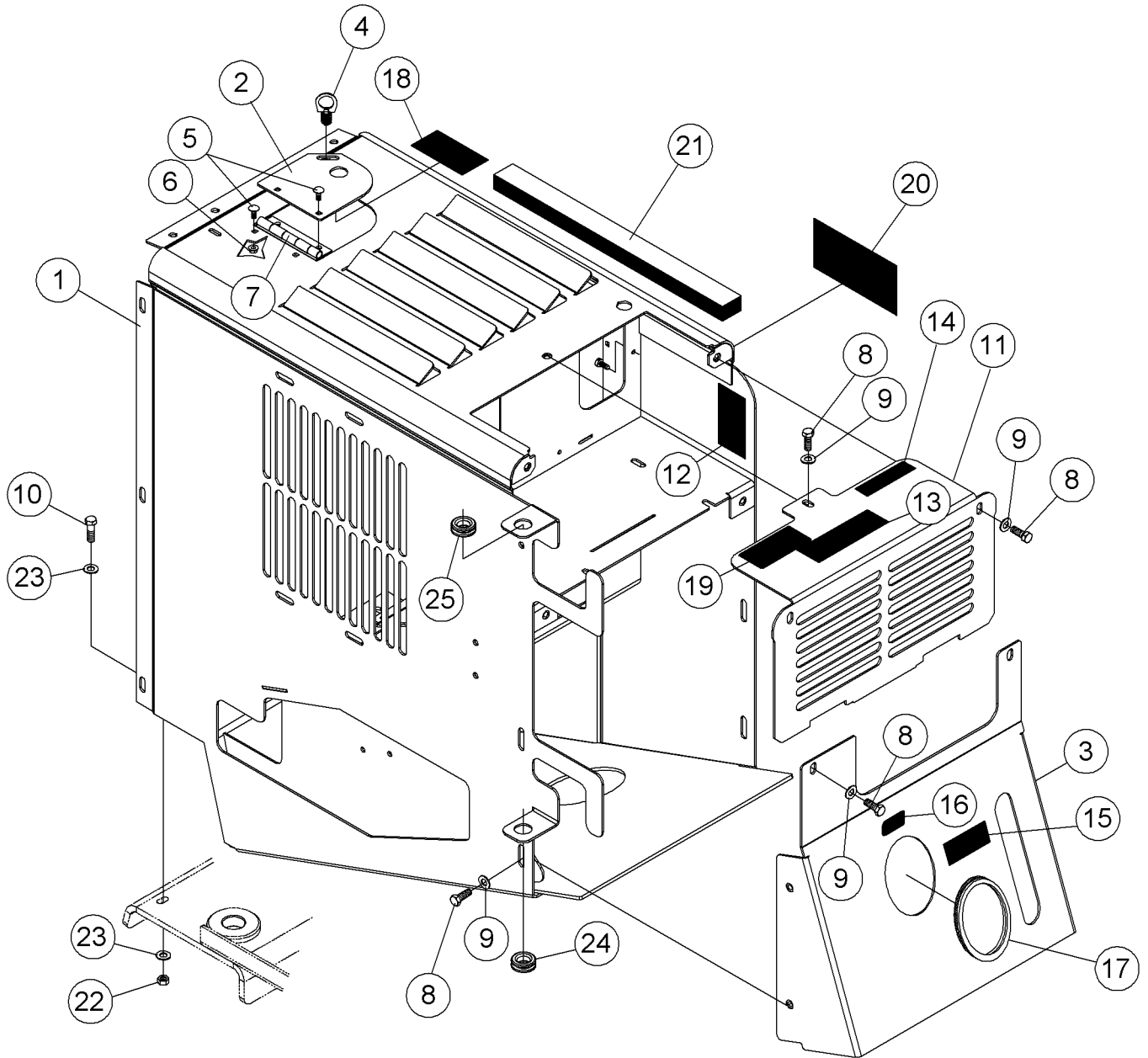




## Rear Shield Fig 3-1r03

REF. NO.	*	PART NO.	DESCRIPTION	QTY.	REMARKS
		Revision Date	March, 2006		Update In Illustration & Parts List.
1		296282290	WELDMENT - REAR SHIELD	1	
2		251594001	DOOR	1	(REPAIR ONLY)
3		296277542	FUEL TANK COVER	1	
4		86113001	FASTENER-1/4 TURN	1	
5		373005	BOLT-1/4-20X5/8 GR5 CARRIAGE	4	
6		1809005	NUT-1/4 SM FLGE T.L.	4	
7		251524001	HINGE - DOOR	1	
8		235727001	BOLT-3/8-16X1 GR8 HEX ZINC PLT	10	
9		510337635	WASHER-FLATSAE-.38-.41X.81-16G-YZ	14	
10		235736001	BOLT-3/8-16X1 1/4 ZINC PLTD	3	
11		296277626	PLATE - BATTERY COVER	1	
12		70000044	DECAL-WARNING	1	(AT/UND) Domestic
		7000I044	DECAL-WARNING	1	International
13		700IC288	DECAL - REAR CONTROL	1	
14		700IB807	DECAL - E-STOP	1	
15		2326324	DECAL-WARNING/REFUEL	1	Domestic
		2326I324	DECAL - WARING EXPLOSION	1	International
16		70000098	DECAL-DIESEL	1	(AT/UND) Domestic
		7000I098	DECAL-DIESEL FUEL	1	International
17		97456001	SEAL-BULB EDGE 1/8" STYLE	1	
18		2326315	DECAL-WARNING	1	Domestic
		2326I315	DECAL-WARNING	1	International
19		7000C339	DECAL - PARKING	1	
20		7000A576	DECAL-DANGER	1	Domestic
		700IA576	DECAL-DANGER	1	International
21		235630001	FOAM-TOP RADIATOR	1	
22		235725001	NUT - HEX - .38 - 16 - GR8 - YZ	4	
23		1865043	GROMMET-.75IDX1.38OD-.19GROOVE	2	
24		2595001	HOSE CLAMP - TS7FR 1/2"	2	
25		235726001	BOLT-3/8-16X3/4 GR8 HEX ZNCPLT	1	
26		510337605	WASHER-FLATSTD-.31-.38X.88-.08-YZ	1	
27		235741001	NUT - HEX - .31 - 18 - GR8 - YZ	1	
28		278953001	ANCHOR - CABLE TIE	1	

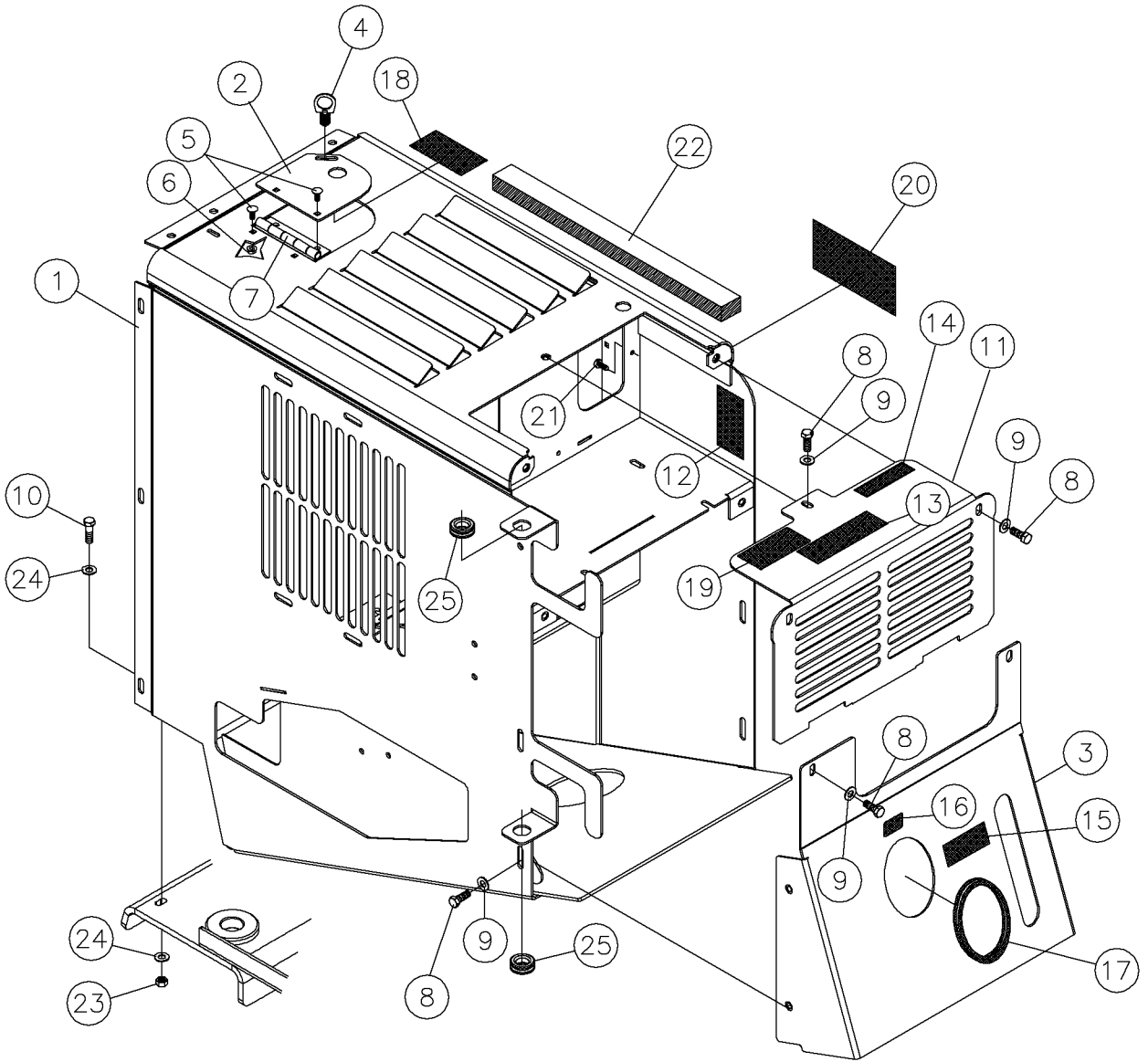
Rear Shield Fig 3-1r02



## Rear Shield Fig 3-1r02

REF. NO.	*	PART NO.	DESCRIPTION	QTY.	REMARKS
		Revision Date	October, 2005		Update In Illus & Parts List.
1		296273318	WELDMENT - REAR SHIELD	1	S/N 128 & Up
2		251594001	DOOR	1	(REPAIR ONLY)
3		296277542	FUEL TANK COVER	1	
4		86113001	FASTENER-1/4 TURN	1	
5		373005	BOLT-1/4-20X5/8 GR5 CARRIAGE	4	
6		1809005	NUT-1/4 SM FLGE T.L.	4	
7		251524001	HINGE - DOOR	1	
8		235727001	BOLT-3/8-16X1 GR8 HEX ZINC PLT	10	
9		510337635	WASHER-FLATSAE-.38-.41X.81-16G-YZ	12	
10		235736001	BOLT-3/8-16X1 1/4 ZINC PLTD	3	
11		296277626	PLATE - BATTERY COVER	1	
12		70000044	DECAL-WARNING	1	(AT/UND) Domestic
		7000I044	DECAL-WARNING	1	International
13		700IC288	DECAL - REAR CONTROL	1	
14		700IB807	DECAL - E-STOP	1	
15		2326324	DECAL-WARNING/REFUEL	1	Domestic
		2326I324	DECAL - WARING EXPLOSION	1	International
16		70000098	DECAL-DIESEL	1	(AT/UND) Domestic
		7000I098	DECAL-DIESEL FUEL	1	International
17		97456001	SEAL-BULB EDGE 1/8" STYLE	1	
18		2326315	DECAL-WARNING	1	Domestic
		2326I315	DECAL-WARNING	1	International
19		7000C339	DECAL - PARKING	1	
20		7000A576	DECAL-DANGER	1	Domestic
		700IA576	DECAL-DANGER	1	International
21		235630001	FOAM-TOP RADIATOR	1	
22		235725001	NUT - HEX - .38 - 16 - GR8 - YZ	3	
23		510337635	WASHER-FLATSAE-.38-.41X.81-16G-YZ	6	
24		1865043	GROMMET-.75IDX1.38OD-.19GROOVE	2	

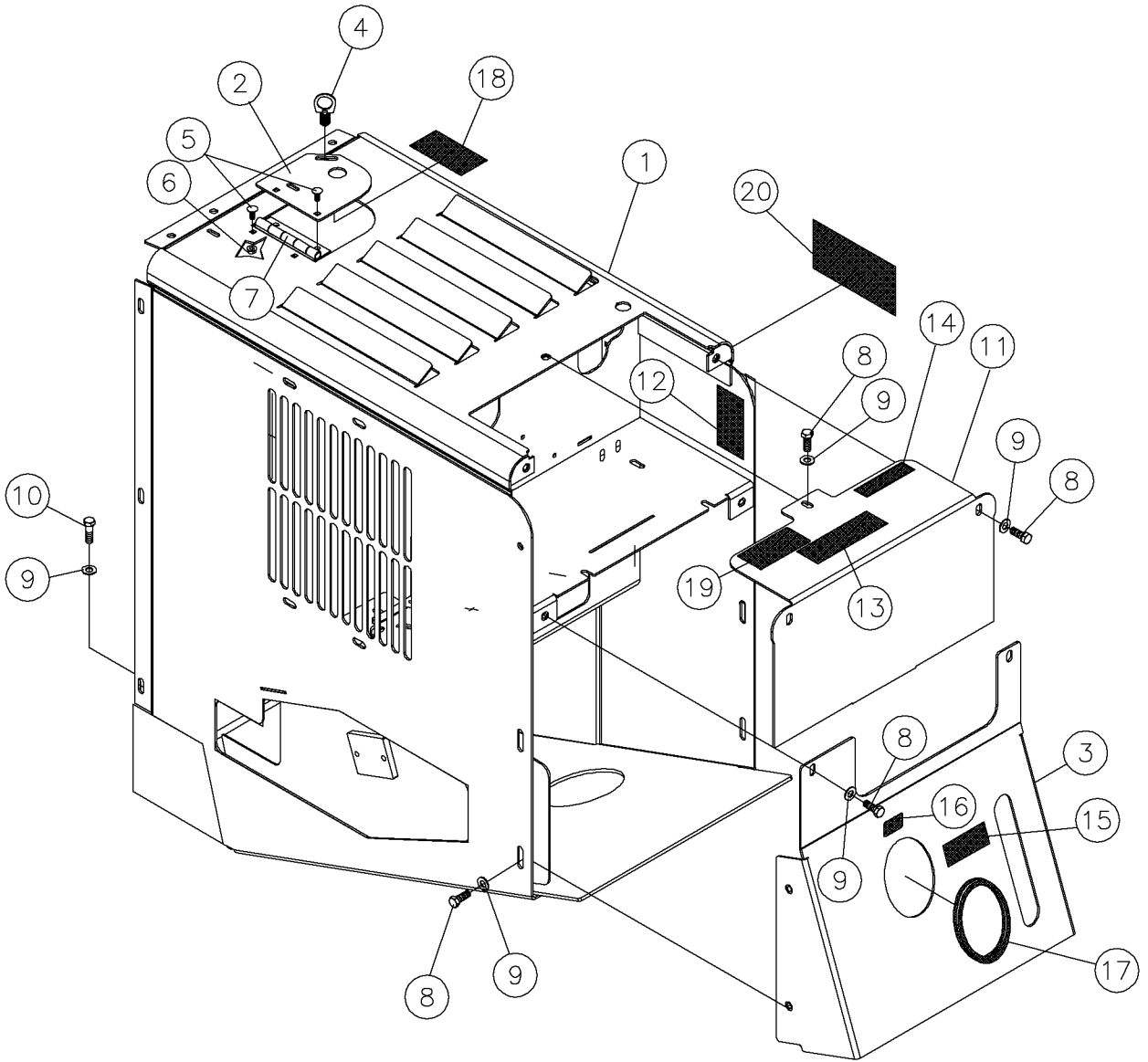
Rear Shield Fig 3-1r01



## Rear Shield Fig 3-1r01

REF. NO.	*	PART NO.	DESCRIPTION	QTY.	REMARKS
		Revision Date	March, 2005		Update In Illustration & Parts List.
1		296273318	WELDMENT - REAR SHIELD	1	S/N 128 & Up
2		251594001	DOOR (REPAIR ONLY)	1	
3		296277542	FUEL TANK COVER	1	
4		86113001	FASTENER-1/4 TURN	1	
5		373005	BOLT-1/4-20X5/8 GR5 CARRIAGE	4	
6		1809005	NUT-1/4 SM FLGE T.L.	4	
7		251524001	HINGE - DOOR	1	
8		235727001	BOLT-3/8-16X1 GR8 HEX ZINC PLT	10	
9		510337635	WASHER-FLATSAE-.38-.41X.81-16G-YZ	12	
10		235736001	BOLT-3/8-16X1 1/4 ZINC PLTD	3	
11		296277626	PLATE - BATTERY COVER	1	
12		70000044	DECAL-WARNING(AT/UND)	1	Domestic
		7000I044	DECAL-WARNING	1	International
13		700IC288	DECAL - REAR CONTROL	1	
14		700IB807	DECAL - E-STOP	1	
15		2326324	DECAL-WARNING/REFUEL	1	Domestic
		2326I324	DECAL - WARING EXPLOSION	1	International
16		70000098	DECAL-DIESEL (AT/UND)	1	Domestic
		7000I098	DECAL-DIESEL FUEL	1	International
17		97456001	SEAL-BULB EDGE 1/8" STYLE	1	
18		2326315	DECAL-WARNING	1	Domestic
		2326I315	DECAL-WARNING	1	International
19		7000C339	DECAL - PARKING	1	
20		7000A576	DECAL-DANGER	1	Domestic
		700IA576	DECAL-DANGER	1	International
21		278953001	ANCHOR - CABLE TIE	1	
22		235630001	FOAM-TOP RADIATOR	1	
23		235725001	NUT - HEX - .38 - 16 - GR8 - YZ	3	
24		510337635	WASHER-FLATSAE-.38-.41X.81-16G-YZ	6	
25		1865043	GROMMET-.75IDX1.38OD-.19GROOVE	2	

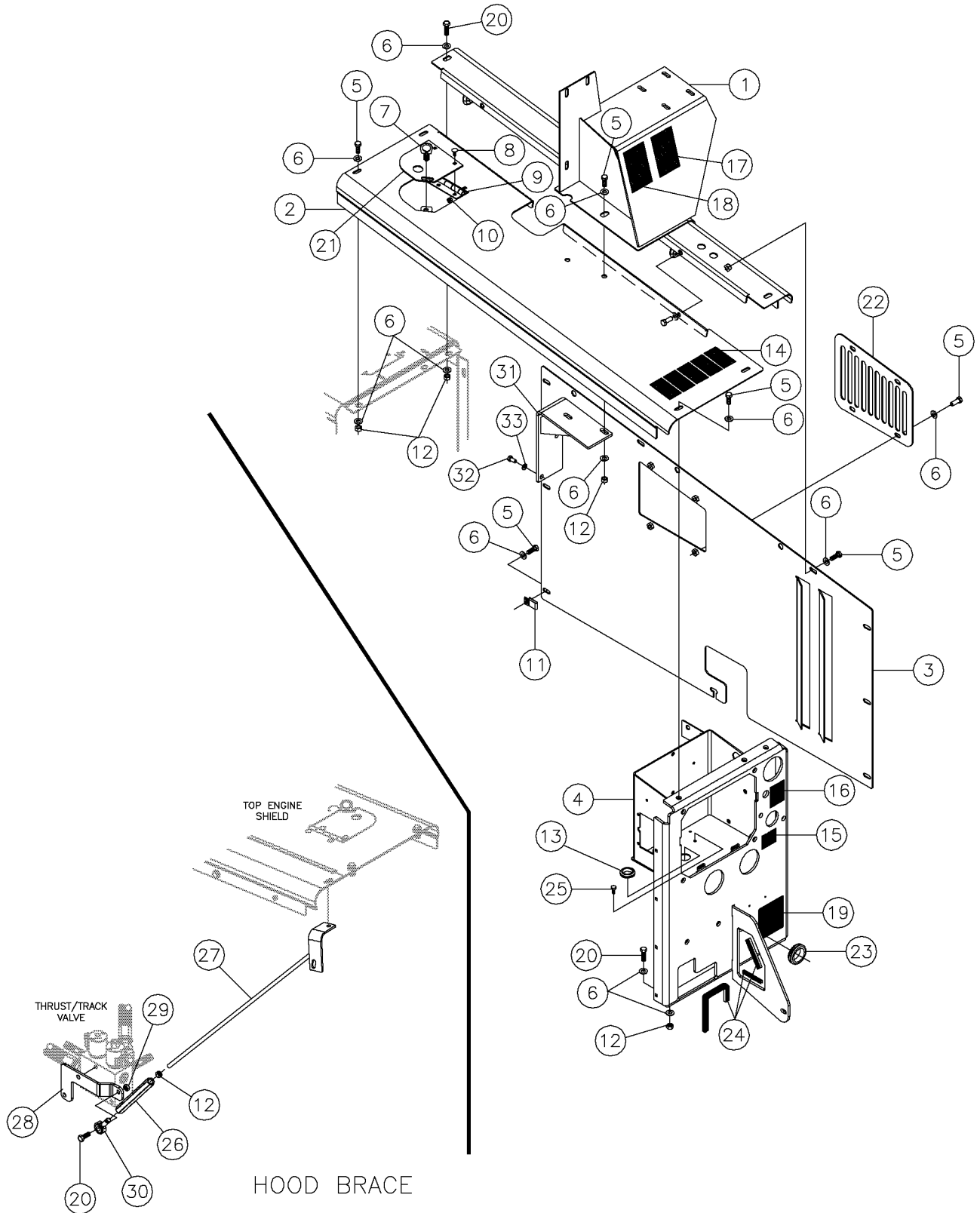
Rear Shield Fig 3-1



## Rear Shield Fig 3-1

REF. NO.	*	PART NO.	DESCRIPTION	QTY.	REMARKS
1		296273318	WELDMENT - REAR SHIELD	1	
2		251594001	DOOR (REPAIR ONLY)	1	
3		296277542	FUEL TANK COVER	1	
4		86113001	FASTENER-1/4 TURN	1	
5		373005	BOLT-1/4-20X5/8 GR5 CARRIAGE	4	
6		1809005	NUT-1/4 SM FLGE T.L.	4	
7		251524001	HINGE - DOOR	1	
8		235727001	BOLT-3/8-16X1 GR8 HEX ZINC PLT	10	
9		510337635	WASHER-FLATSAE-.38-.41X.81-16G-YZ	12	
11		296277626	PLATE - BATTERY COVER	1	
12		70000044	DECAL-WARNING(AT/UND)	1	Domestic
		7000I044	DECAL-WARNING	1	International
13		700IC288	DECAL - REAR CONTROL	1	
14		700IB807	DECAL - E-STOP	1	
15		2326324	DECAL-WARNING/REFUEL	1	Domestic
		2326I324	DECAL - WARING EXPLOSION	1	International
16		70000098	DECAL-DIESEL (AT/UND)	1	Domestic
		7000I098	DECAL-DIESEL FUEL	1	International
17		97456001	SEAL-BULB EDGE 1/8" STYLE	1	
18		2326315	DECAL-WARNING	1	Domestic
		2326I315	DECAL-WARNING	1	International
19		7000C339	DECAL - PARKING	1	
20		7000A576	DECAL-DANGER	1	Domestic
		700IA576	DECAL-DANGER	1	International

Top-Front Shield (S/N 712-) Fig 3-2r06

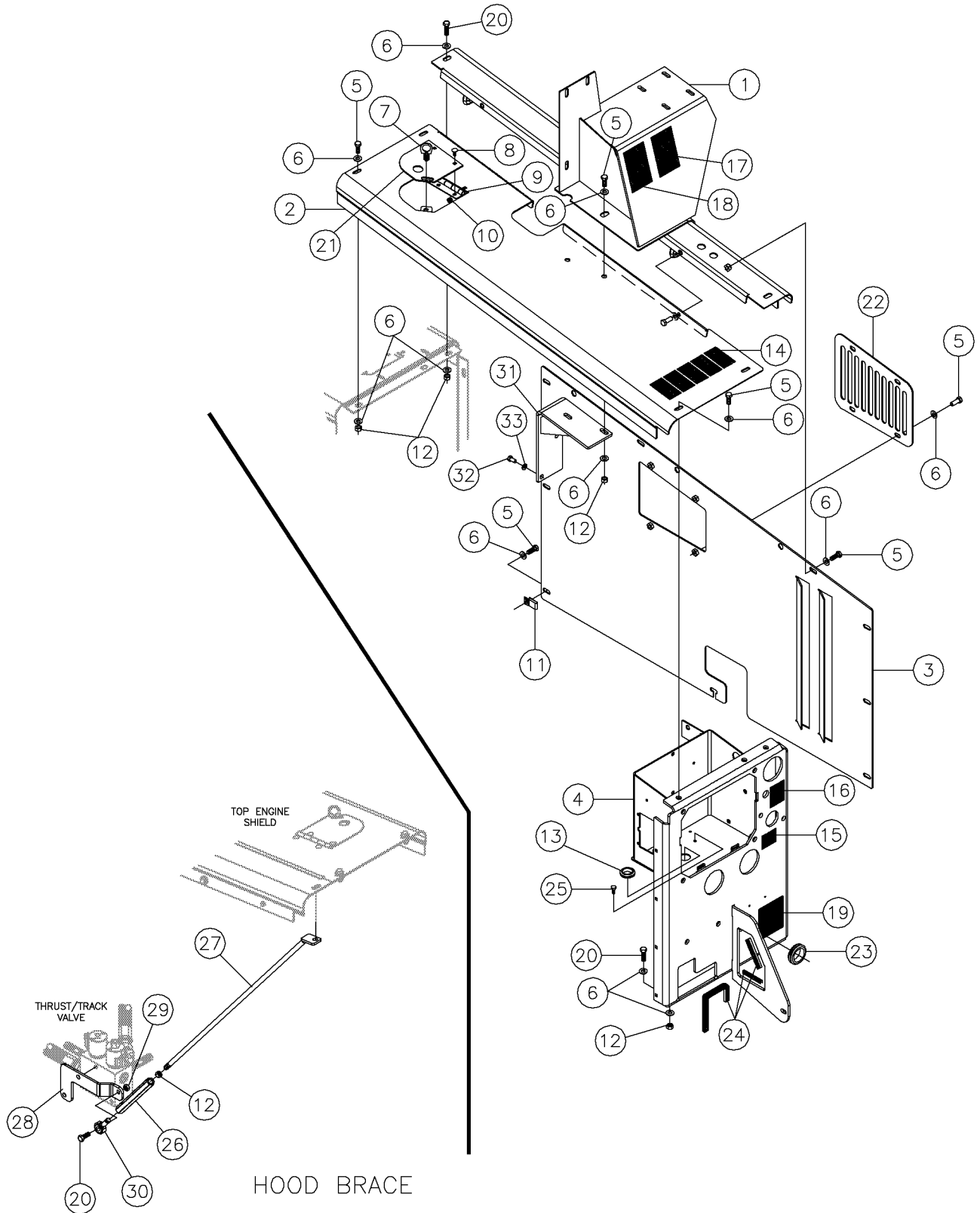




## Top-Front Shield (S/N 712-) Fig 3-2r06

REF. NO.	*	PART NO.	DESCRIPTION	QTY.	REMARKS
		Revision Date	August, 2007		Revised Tie Rod Weldment
1		296273445	MOUNT - HOSE CARRIER	1	(S/N 125-)
2		296273482	SHIELD - TOP BAY	1	(S/N 500-)
3		296277313	SHIELD - ENGINE SIDE	1	(S/N 128-)
4		296280288	FRONT SHIELD WELDMENT	1	(S/N 712-)
5		235727001	BOLT-3/8-16X1 GR8 HEX ZINC PLT	23	
6		296275179	WASHER-3/8" SAE EXTRA HEAVY HARDENED ZY	34	
7		86113001	FASTENER-1/4 TURN	1	
8		373005	BOLT-1/4-20X5/8 GR5 CARRIAGE	4	
9		251524001	HINGE - DOOR	1	
10		1809005	NUT-1/4 SM FLGE T.L.	4	
11		13323001	NUT - PANEL - 3/8-16 U-CLIP	3	
12		235725001	NUT - HEX - .38 - 16 - GR8 - YZ	9	
13		277362001	GROMMET 1.5"OD X 1" ID	1	
14		7000B304	DECAL - WARNING	1	Domestic
		700IB304	DECAL - WARNING	1	International
15		700IA473	DECAL-THROTTLE (UG)	1	
16		700IA355	DECAL-DRILLING FLUIDSPEED(UND)	1	
17		7000A627	DECAL-DANGER	1	Domestic
		700IA627	DECAL-DANGER	1	International
18		7000A393	DECAL - DANGER	1	Domestic
		700IA393	DECAL - DANGER	1	International
19		7000B119	DECAL - PATENT INDUSTRIAL	1	
20		235736001	BOLT-3/8-16X1 1/4 ZINC PLTD	4	
21		251594001	DOOR (REPAIR ONLY)	1	
22		296277317	PLATE - SIDE COVER	1	(S/N 128-)
23		1865055	GROMMET-1 1/2 IDX1 3/4 OD 1/4G	1	
24		212522001	TRIM-1/4 EDGE	A/R	P/N Qty. Of 1 = 1 Foot
25		278953001	ANCHOR - CABLE TIE	5	
26		296275192	NUT - TURNBUCKLE BODY	1	(S/N 557-)
27	*	296275183	ROD - TIE WELDMENT	1	(S/N 557-)
28		296275165	PLATE - HOOK	1	(S/N 557-)
29		510029301	NUT - HEX JAM - .38-24-GR5-YZ	1	(S/N 557-)
30		296275196	BALL JOINT 3/8-24 LH THREAD	1	(S/N 557-)
31		296292084	MOUNT - ROTATION VALVE	1	
32		506032016	SCREW-HCS,M8-1.25X16,8.8,YZ,D933,FT	2	
33		506046008	WASHER-FLAT,M8,YZ,D125A	2	

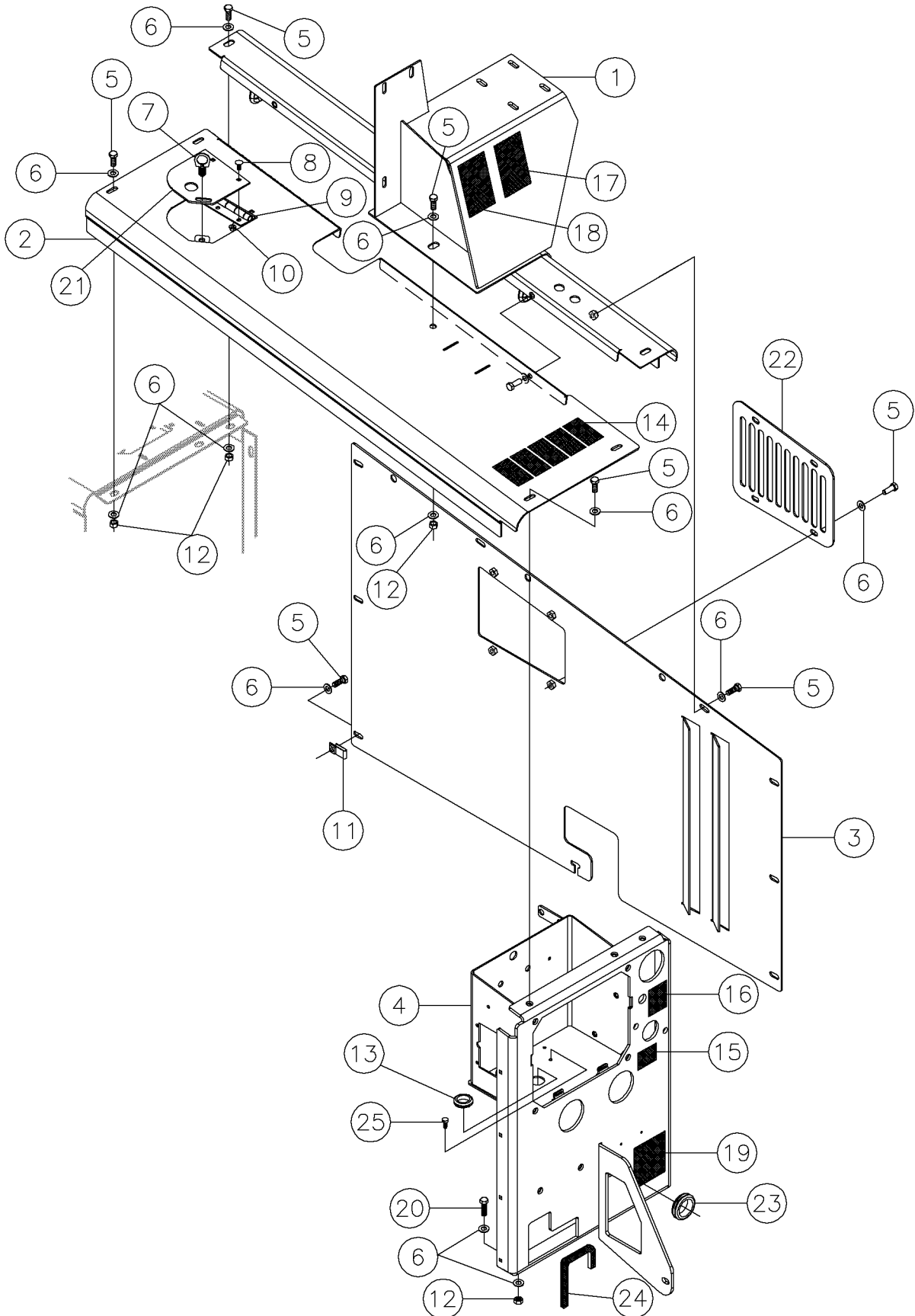
Top-Front Shield (S/N 557-711) Fig 3-2r05



## Top-Front Shield (S/N 557-711) Fig 3-2r05

REF. NO.	*	PART NO.	DESCRIPTION	QTY.	REMARKS
		Revision Date	November, 2006		Added Hood Brace & Valve Mount
1	*	296273445	MOUNT - HOSE CARRIER	1	(S/N 125-)
2	*	296273482	SHIELD - TOP BAY	1	(S/N 500-)
3		296277313	SHIELD - ENGINE SIDE	1	(S/N 128-)
4		296280288	FRONT SHIELD WELDMENT	1	(S/N 332-)
5	*	235727001	BOLT-3/8-16X1 GR8 HEX ZINC PLT	23	
6	*	296275179	WASHER-3/8" SAE EXTRA HEAVY HARDENED ZY	34	
7		86113001	FASTENER-1/4 TURN	1	
8		373005	BOLT-1/4-20X5/8 GR5 CARRIAGE	4	
9		251524001	HINGE - DOOR	1	
10		1809005	NUT-1/4 SM FLGE T.L.	4	
11		13323001	NUT - PANEL - 3/8-16 U-CLIP	3	
12	*	235725001	NUT - HEX - .38 - 16 - GR8 - YZ	9	
13		277362001	GROMMET 1.5"OD X 1" ID	1	
14		7000B304	DECAL - WARNING	1	Domestic
		700IB304	DECAL - WARNING	1	International
15		700IA473	DECAL-THROTTLE (UG)	1	
16		700IA355	DECAL-DRILLING FLUIDSPEED(UND)	1	
17		7000A627	DECAL-DANGER	1	Domestic
		700IA627	DECAL-DANGER	1	International
18		7000A393	DECAL - DANGER	1	Domestic
		700IA393	DECAL - DANGER	1	International
19		7000B119	DECAL - PATENT INDUSTRIAL	1	
20	*	235736001	BOLT-3/8-16X1 1/4 ZINC PLTD	4	
21		251594001	DOOR (REPAIR ONLY)	1	
22		296277317	PLATE - SIDE COVER	1	(S/N 128-)
23		1865055	GROMMET-1 1/2 IDX1 3/4 OD 1/4G	1	
24		212522001	TRIM-1/4 EDGE	A/R	P/N Qty. Of 1 = 1 Foot
25	*	278953001	ANCHOR - CABLE TIE	5	
26	*	296275192	NUT - TURNBUCKLE BODY	1	(S/N 557-)
27	*	296275183	ROD - TIE WELDMENT	1	(S/N 557-)
28	*	296275165	PLATE - HOOK	1	(S/N 557-)
29	*	510029301	NUT - HEX JAM - .38-24-GR5-YZ	1	(S/N 557-)
30	*	296275196	BALL JOINT 3/8-24 LH THREAD	1	(S/N 557-)
31	*	296292084	MOUNT - ROTATION VALVE	1	
32	*	506032016	SCREW-HCS,M8-1.25X16,8.8,YZ,D933,FT	2	
33	*	506046008	WASHER-FLAT,M8,YZ,D125A	2	

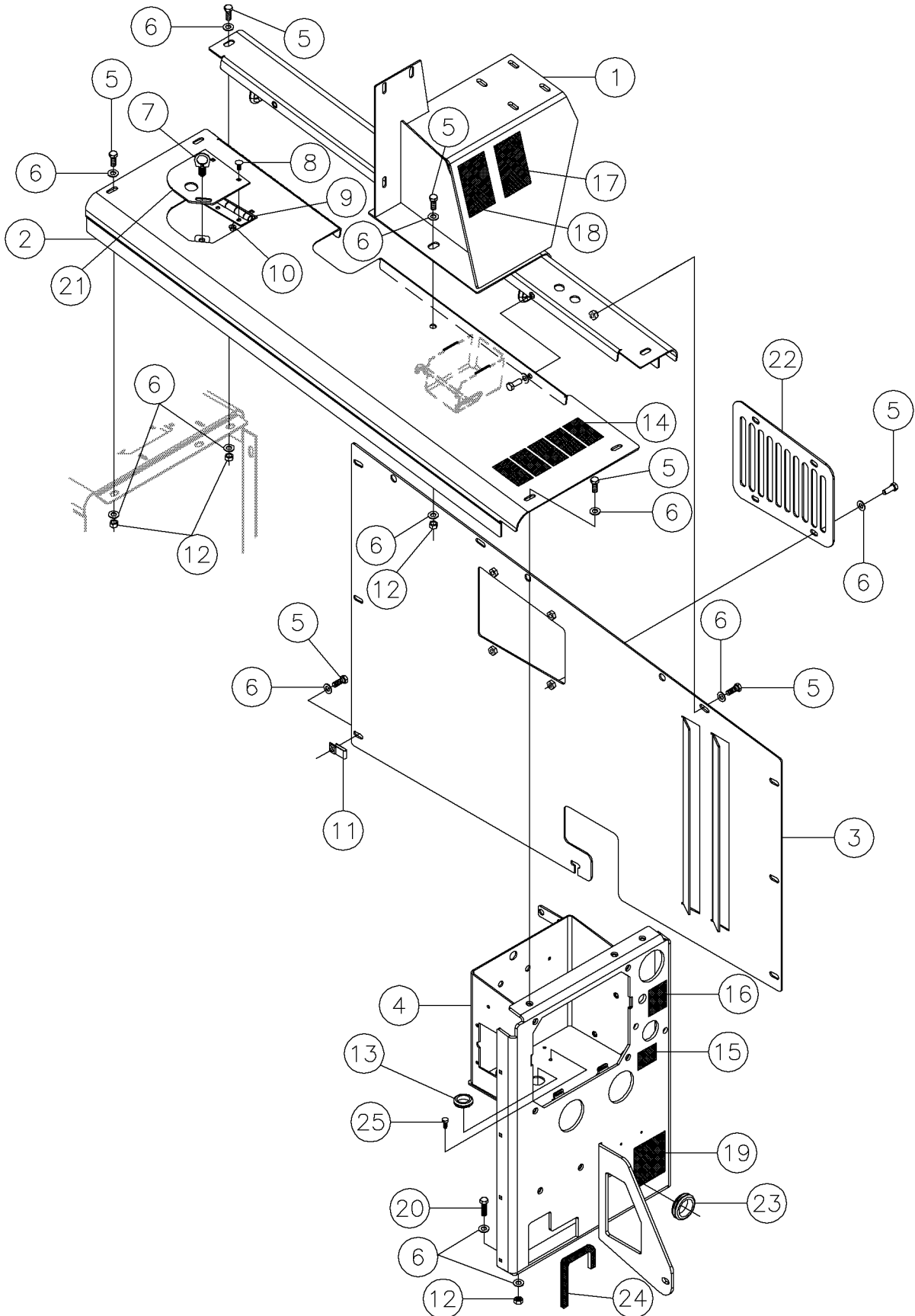
Top-Front Shield (S/N 494-) Fig 3-2r04



## Top-Front Shield (S/N 494-) Fig 3-2r04

REF. NO.	*	PART NO.	DESCRIPTION	QTY.	REMARKS
		Revision Date	April, 2006		Update In Illustration & Parts List.
1		296273445	MOUNT - HOSE CARRIER	1	S/N 125 & Up
2		296273482	SHIELD - TOP BAY	1	S/N 500 & Up
3		296277313	SHIELD - ENGINE SIDE	1	S/N 128 & Up
4		296280288	FRONT SHIELD WELDMENT	1	
5		235727001	BOLT-3/8-16X1 GR8 HEX ZINC PLT	24	
6		296275179	WASHER-3/8" SAE EXTRA HEAVY HARDENED ZY	32	
7		86113001	FASTENER-1/4 TURN	1	
8		373005	BOLT-1/4-20X5/8 GR5 CARRIAGE	4	
9		251524001	HINGE - DOOR	1	
10		1809005	NUT-1/4 SM FLGE T.L.	4	
11		13323001	NUT - PANEL - 3/8-16 U-CLIP	3	
12		235725001	NUT - HEX - .38 - 16 - GR8 - YZ	7	
13		277362001	GROMMET 1.5"OD X 1" ID	1	
14		7000B304	DECAL - WARNING	1	Domestic
		700IB304	DECAL - WARNING	1	International
15		700IA473	DECAL-THROTTLE (UG)	1	
16		700IA355	DECAL-DRILLING FLUIDSPEED(UND)	1	
17		7000A627	DECAL-DANGER	1	Domestic
		700IA627	DECAL-DANGER	1	International
18		7000A393	DECAL - DANGER	1	Domestic
		700IA393	DECAL - DANGER	1	International
19		7000B119	DECAL - PATENT INDUSTRIAL	1	
20		235736001	BOLT-3/8-16X1 1/4 ZINC PLTD	2	
21		251594001	DOOR (REPAIR ONLY)	1	
22		296277317	PLATE - SIDE COVER	1	S/N 128 & Up
23		1865055	GROMMET-1 1/2 IDX1 3/4 OD 1/4G	1	
24		212522001	TRIM-1/4 EDGE	A/R	P/N Qty. Of 1 = 1 Foot
25		278953001	ANCHOR - CABLE TIE	4	

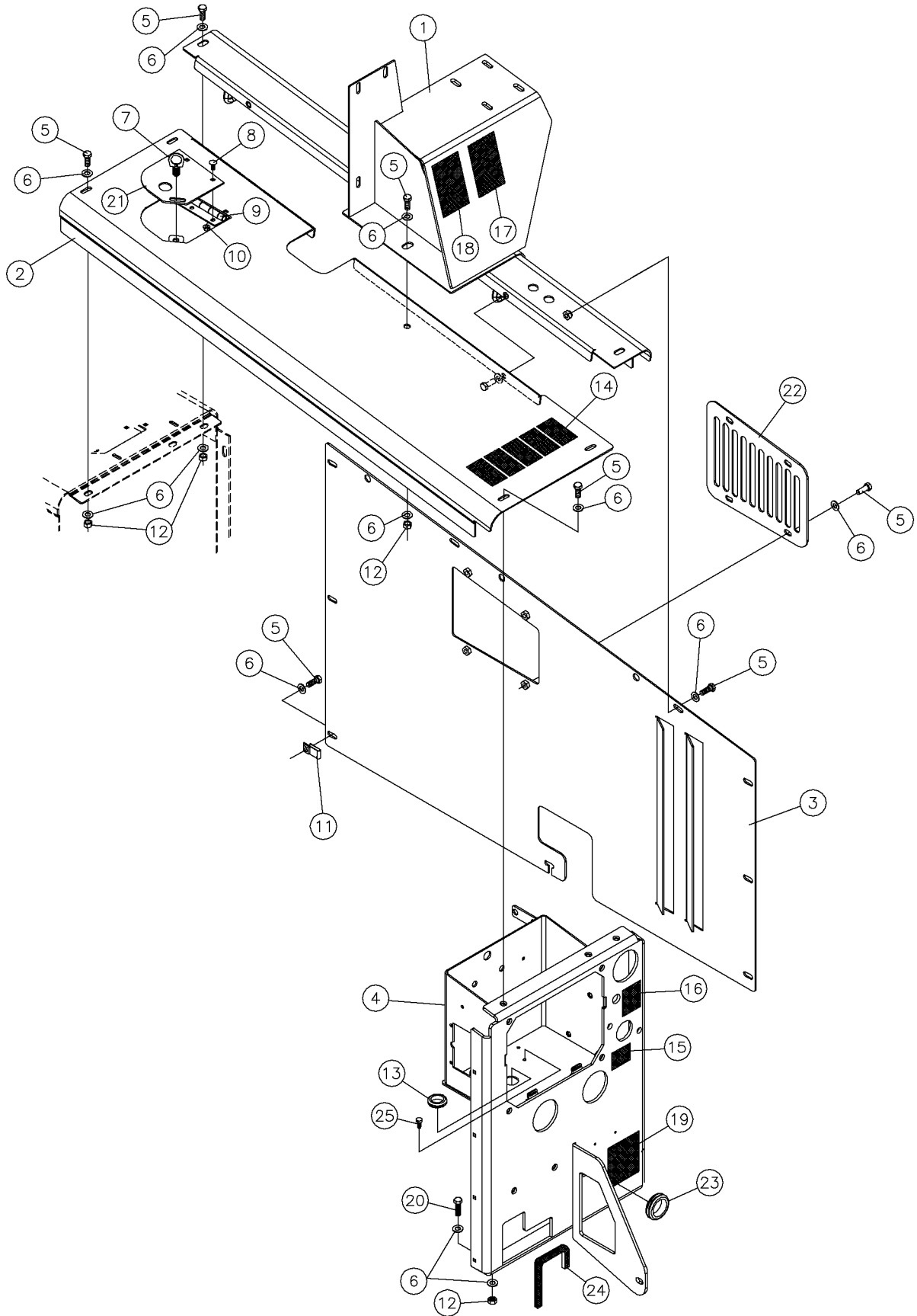
Top-Front Shield (S/N 494-) Fig 3-2r03



## Top-Front Shield (S/N 494-) Fig 3-2r03

REF. NO.	*	PART NO.	DESCRIPTION	QTY.	REMARKS
		Revision Date	March, 2006		Update In Illustration & Parts List.
1		296273445	MOUNT - HOSE CARRIER	1	S/N 125 & Up
2		296273373	ASSEMBLY - TOP SHIELDS	1	
3		296277313	SHIELD - ENGINE SIDE	1	S/N 128 & Up
4		296280288	FRONT SHIELD WELDMENT	1	
5		235727001	BOLT-3/8-16X1 GR8 HEX ZINC PLT	24	
6		296275179	WASHER-3/8" SAE EXTRA HEAVY HARDENED ZY	32	
7		86113001	FASTENER-1/4 TURN	1	
8		373005	BOLT-1/4-20X5/8 GR5 CARRIAGE	4	
9		251524001	HINGE - DOOR	1	
10		1809005	NUT-1/4 SM FLGE T.L.	4	
11		13323001	NUT - PANEL - 3/8-16 U-CLIP	3	
12		235725001	NUT - HEX - .38 - 16 - GR8 - YZ	7	
13		277362001	GROMMET 1.5"OD X 1" ID	1	
14		7000B304	DECAL - WARNING	1	Domestic
		700IB304	DECAL - WARNING	1	International
15		700IA473	DECAL-THROTTLE (UG)	1	
16		700IA355	DECAL-DRILLING FLUIDSPEED(UND)	1	
17		7000A627	DECAL-DANGER	1	Domestic
		700IA627	DECAL-DANGER	1	International
18		7000A393	DECAL - DANGER	1	Domestic
		700IA393	DECAL - DANGER	1	International
19		7000B119	DECAL - PATENT INDUSTRIAL	1	
20		235736001	BOLT-3/8-16X1 1/4 ZINC PLTD	2	
21		251594001	DOOR (REPAIR ONLY)	1	
22		296277317	PLATE - SIDE COVER	1	S/N 128 & Up
23		1865055	GROMMET-1 1/2 IDX1 3/4 OD 1/4G	1	
24		212522001	TRIM-1/4 EDGE	A/R	P/N Qty. Of 1 = 1 Foot
25		278953001	ANCHOR - CABLE TIE	4	

Top-Front Shield Fig 3-2r02

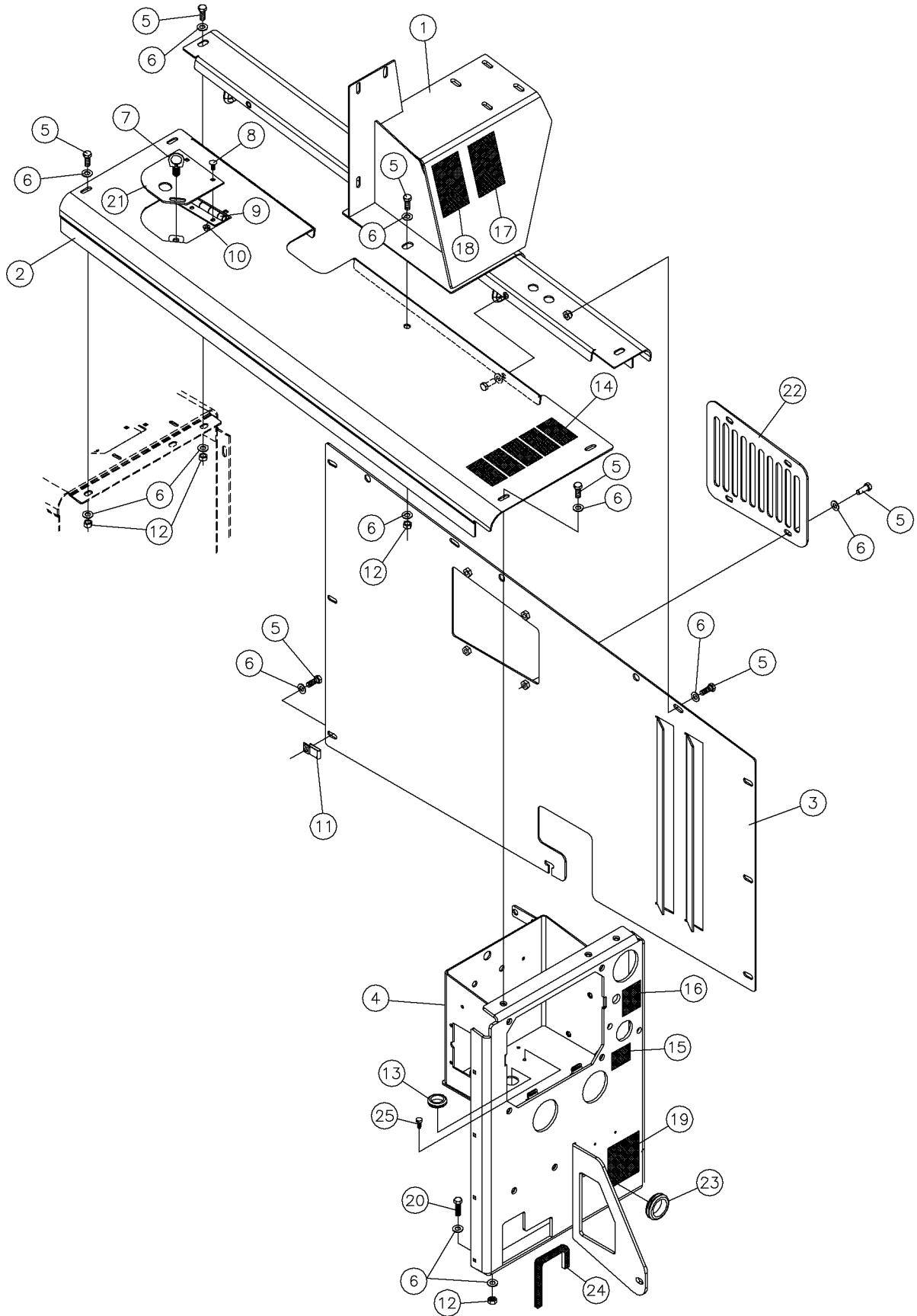




## Top-Front Shield Fig 3-2r02

REF. NO.	*	PART NO.	DESCRIPTION	QTY.	REMARKS
		Revision Date	October, 2005		Update In Illus & Parts List.
1		296273445	MOUNT - HOSE CARRIER	1	S/N 125 & Up
2		296273482	SHIELD - TOP BAY	1	S/N 125 & Up
3		296277313	SHIELD - ENGINE SIDE	1	S/N 128 & Up
4		296277711	FRONT SHIELD WELDMENT	1	S/N 179-331
	*	296280288	FRONT SHIELD WELDMENT	1	PN Change (S/N Break 332-)
5		235727001	BOLT-3/8-16X1 GR8 HEX ZINC PLT	24	
6		510337635	WASHER-FLATSAE-.38-.41X.81-16G-YZ	32	
7		86113001	FASTENER-1/4 TURN	1	
8		373005	BOLT-1/4-20X5/8 GR5 CARRIAGE	4	
9		251524001	HINGE - DOOR	1	
10		1809005	NUT-1/4 SM FLGE T.L.	4	
11		13323001	NUT - PANEL - 3/8-16 U-CLIP	3	
12		235725001	NUT - HEX - .38 - 16 - GR8 - YZ	7	
13		277362001	GROMMET 1.5"OD X 1" ID	1	
14		7000B304	DECAL - WARNING	1	Domestic
		700IB304	DECAL - WARNING	1	International
15		700IA473	DECAL-THROTTLE (UG)	1	
16		700IA355	DECAL-DRILLING FLUIDSPEED(UND)	1	
17		7000A627	DECAL-DANGER	1	Domestic
		700IA627	DECAL-DANGER	1	International
18		7000A393	DECAL - DANGER	1	Domestic
		700IA393	DECAL - DANGER	1	International
19		7000B119	DECAL - PATENT INDUSTRIAL	1	
20		235736001	BOLT-3/8-16X1 1/4 ZINC PLTD	2	
21		251594001	DOOR (REPAIR ONLY)	1	
22		296277317	PLATE - SIDE COVER	1	S/N 128 & Up
23		1865055	GROMMET-1 1/2 IDX1 3/4 OD 1/4G	1	
24		212522001	TRIM-1/4 EDGE	A/R	P/N Qty. Of 1 = 1 Foot
25		278953001	ANCHOR - CABLE TIE	4	

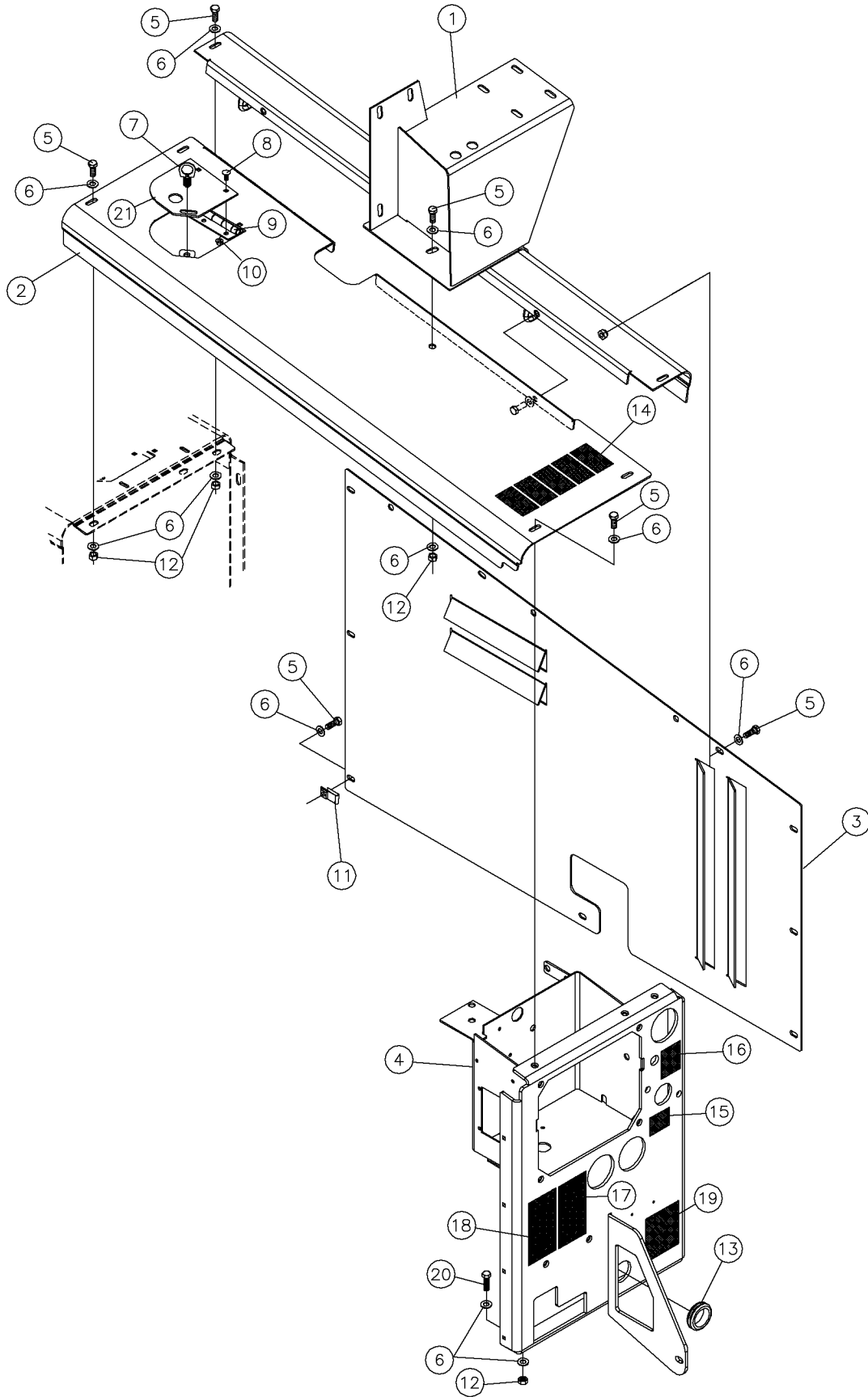
Top-Front Shield Fig 3-2r01



## Top-Front Shield Fig 3-2r01

REF. NO.	*	PART NO.	DESCRIPTION	QTY.	REMARKS
		Revision Date	March, 2005		Update In Illustration & Parts List.
1		296273445	MOUNT - HOSE CARRIER	1	S/N 125 & Up
2		296273482	SHIELD - TOP BAY	1	S/N 125 & Up
3		296277313	SHIELD - ENGINE SIDE	1	S/N 128 & Up
4		296277711	FRONT SHIELD WELDMENT	1	S/N 179 & Up
5		235727001	BOLT-3/8-16X1 GR8 HEX ZINC PLT	24	
6		510337635	WASHER-FLATSAE-.38-.41X.81-16G-YZ	32	
7		86113001	FASTENER-1/4 TURN	1	
8		373005	BOLT-1/4-20X5/8 GR5 CARRIAGE	4	
9		251524001	HINGE - DOOR	1	
10		1809005	NUT-1/4 SM FLGE T.L.	4	
11		13323001	NUT - PANEL - 3/8-16 U-CLIP	3	
12		235725001	NUT - HEX - .38 - 16 - GR8 - YZ	7	
13		277362001	GROMMET 1.5"OD X 1" ID	1	
14		7000B304	DECAL - WARNING	1	Domestic
		700IB304	DECAL - WARNING	1	International
15		700IA473	DECAL-THROTTLE (UG)	1	
16		700IA355	DECAL-DRILLING FLUIDSPEED(UND)	1	
17		7000A627	DECAL-DANGER	1	Domestic
		700IA627	DECAL-DANGER	1	International
18		7000A393	DECAL - DANGER	1	Domestic
		700IA393	DECAL - DANGER	1	International
19		7000B119	DECAL - PATENT INDUSTRIAL	1	
20		235736001	BOLT-3/8-16X1 1/4 ZINC PLTD	2	
21		251594001	DOOR (REPAIR ONLY)	1	
22		296277317	PLATE - SIDE COVER	1	S/N 128 & Up
23		1865055	GROMMET-1 1/2 IDX1 3/4 OD 1/4G	1	
24		212522001	TRIM-1/4 EDGE	A/R	P/N Qty. Of 1 = 1 Foot
25		278953001	ANCHOR - CABLE TIE	4	

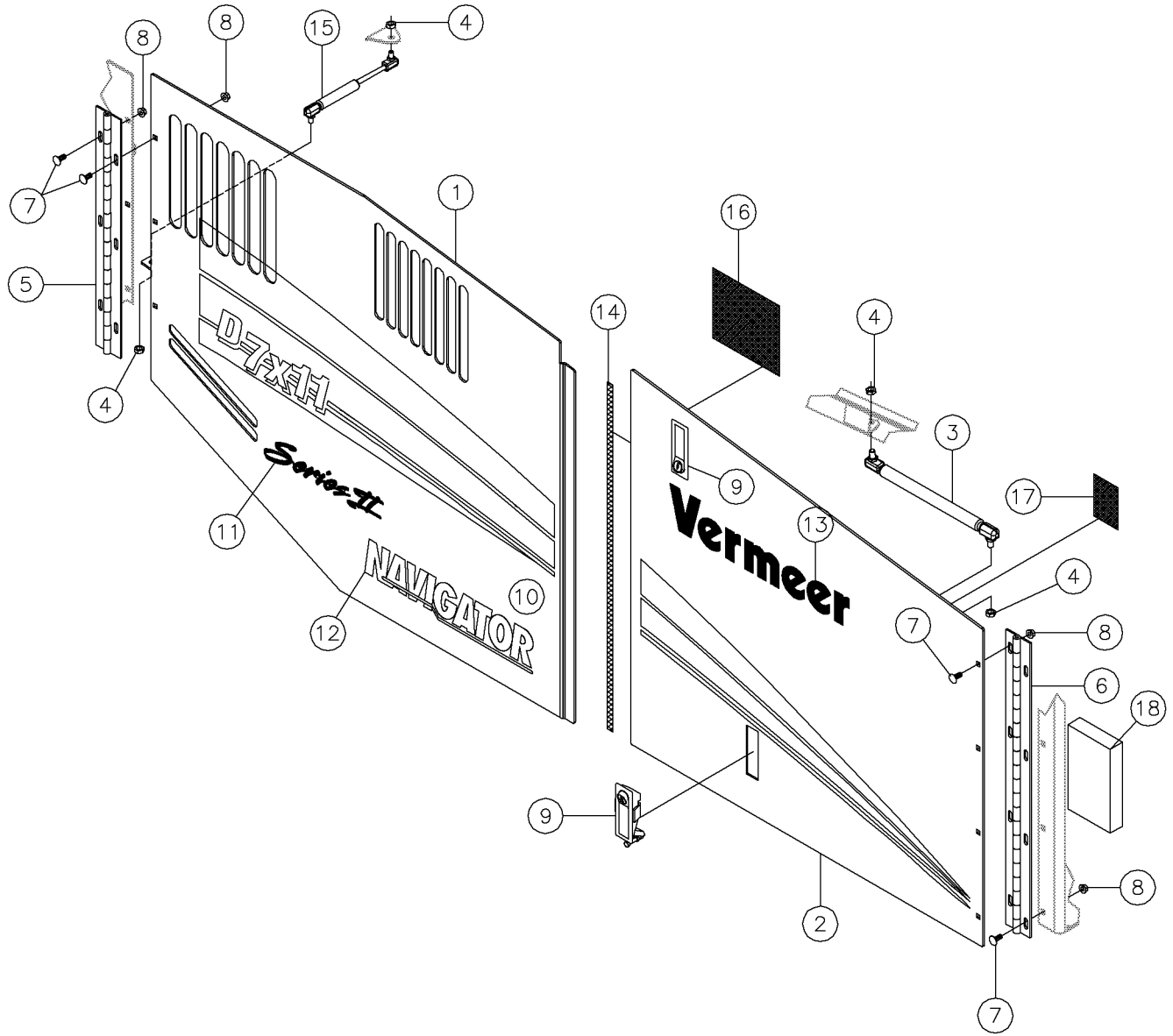
Top-Front Shield Fig 3-2



## Top-Front Shield Fig 3-2

REF. NO.	*	PART NO.	DESCRIPTION	QTY.	REMARKS
1		296273445	MOUNT - HOSE CARRIER	1	
2		296273482	SHIELD - TOP BAY	1	
3		296273457	SHIELD - ENGINE SIDE	1	
4		296273331	FRONT SHIELD WELDMENT	1	
5		235727001	BOLT-3/8-16X1 GR8 HEX ZINC PLT	18	
6		510337635	WASHER-FLATSAE-.38-.41X.81-16G-YZ	28	
7		86113001	FASTENER-1/4 TURN	1	
8		373005	BOLT-1/4-20X5/8 GR5 CARRIAGE	4	
9		251524001	HINGE - DOOR	1	
10		1809005	NUT-1/4 SM FLGE T.L.	4	
11		13323001	NUT - PANEL - 3/8-16 U-CLIP	3	
12		235725001	NUT - HEX - .38 - 16 - GR8 - YZ	7	
13		277362001	GROMMET 1.5"OD X 1" ID	1	
14		7000B304	DECAL - WARNING	1	Domestic
		700IB304	DECAL - WARNING	1	International
15		700IA473	DECAL-THROTTLE (UG)	1	
16		700IA355	DECAL-DRILLING FLUIDSPEED(UND)	1	
17		7000A627	DECAL-DANGER	1	Domestic
		700IA627	DECAL-DANGER	1	International
18		7000A393	DECAL - DANGER	1	Domestic
		700IA393	DECAL - DANGER	1	International
19		7000B119	DECAL - PATENT INDUSTRIAL	1	
20		235736001	BOLT-3/8-16X1 1/4 ZINC PLTD	3	
21		251594001	DOOR (REPAIR ONLY)	1	

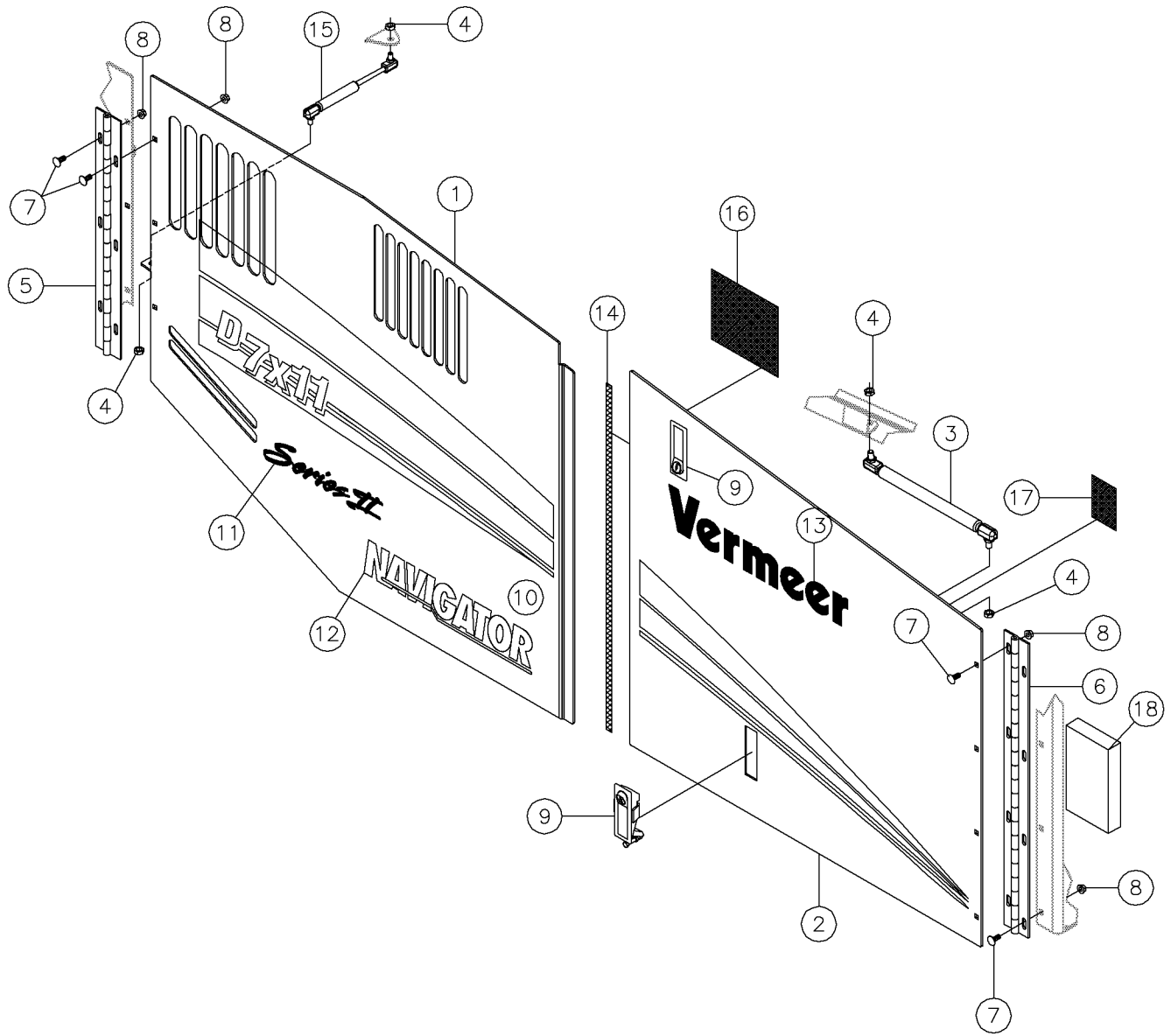
Engine Door (S/N 710-) Fig 3-3r08



## Engine Door (S/N 710-) Fig 3-3r08

REF. NO.	*	PART NO.	DESCRIPTION	QTY.	REMARKS
		Revision Date	August, 2007		Change Decal
1		296299074	WELDMENT - REAR DOOR	1	(S/N 652, 697, 699, 703-708, 710-716-)
2		296282350	WELDMENT - FRONT SIDE DOOR	1	(S/N 500-)
3		149863001	SPRING - GAS 15.94 LENGTH X 6.30 STROKE 56.2 LBS	1	
4		235741001	NUT - HEX - .31 - 18 - GR8 -YZ	4	
5		285088001	HINGE - ACCESS DOOR	1	
6		296266615	HINGE - DOOR	1	
7		373005	BOLT-1/4-20X5/8 GR5 CARRIAGE	14	
8		1809005	NUT-1/4 SM FLGE T.L.	14	
9		218080001	LATCH-ADJ.LEVER W/RAISED BUTTN(INC KEYS)	2	
		97874003	KEYS		
10	*	7000D626	DECAL - RIGHT STRIPE	1	(S/N 710-)
11		7000C325	DECAL - SERIES II (10")	1	
12		70000614	DECAL-MODEL NAVIGATOR (BIG)	1	
13		2326595	DECAL VERMEER- 4 1/2 X 24	1	
14		282764001	WEATHER STRIP	A/R	P/N Qty. Of 1 = 1 Foot
15		296277667	SPRING GAS	1	(S/N 127-)
16		7000C384	DECAL- D7X11II GREASE CHART	1	
17		7000C528	DECAL - RELAY /FUZE PANEL	1	
18		296293864	FOAM - REMOTE/DOOR	1	

Engine Door (S/N 652, 697, 699, 703-708, 709-) Fig 3-3r07

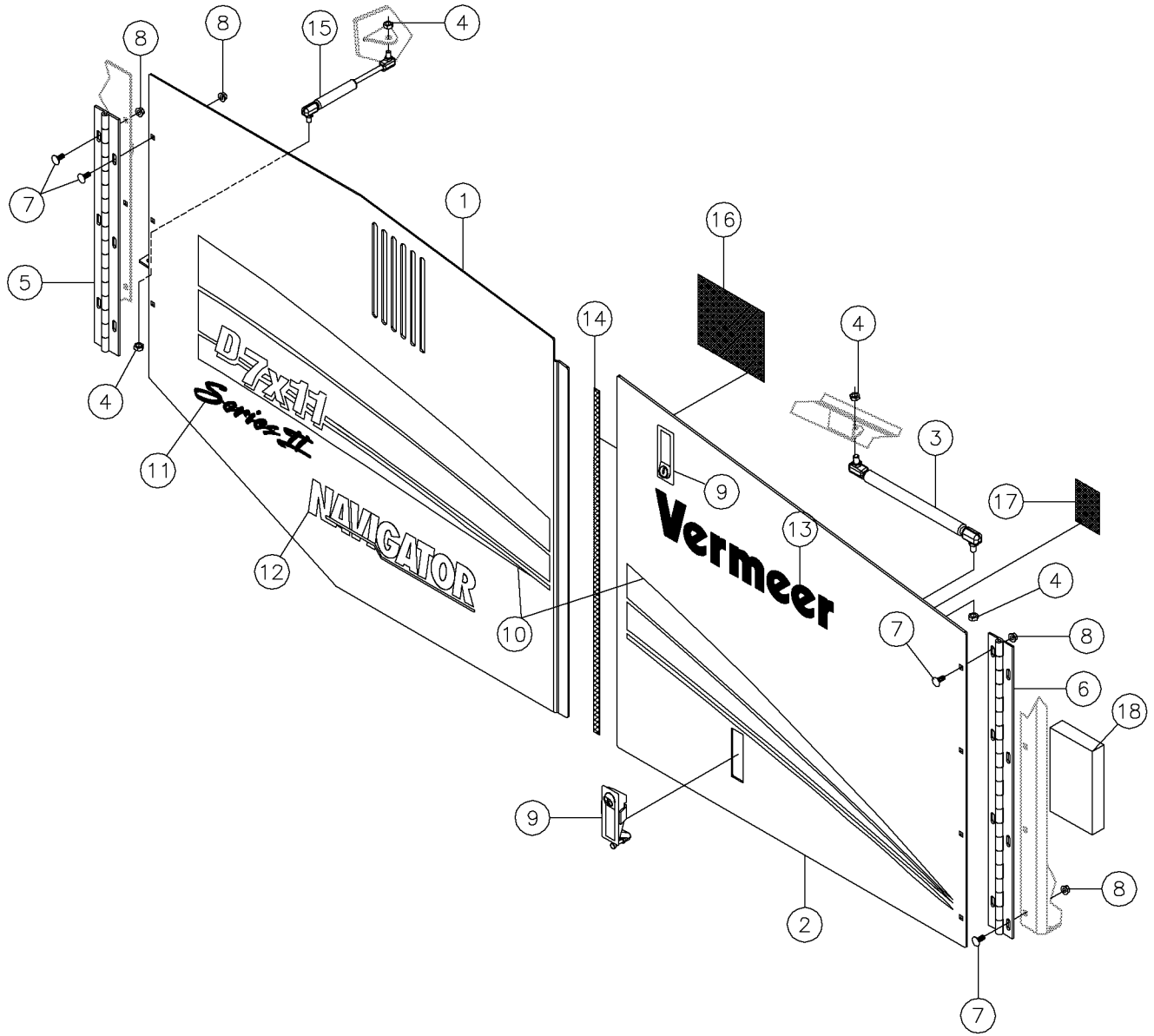




## Engine Door (S/N 652, 697, 699, 703-708, 709-) Fig 3-3r07

REF. NO.	*	PART NO.	DESCRIPTION	QTY.	REMARKS
		Revision Date	August, 2007		Change Rear Door
1	*	296299074	WELDMENT - REAR DOOR	1	(S/N 652, 697, 699, 703-708, 710-716-)
2		296282350	WELDMENT - FRONT SIDE DOOR	1	(S/N 500-)
3		149863001	SPRING - GAS 15.94 LENGTH X 6.30 STROKE 56.2 LBS	1	
4		235741001	NUT - HEX - .31 - 18 - GR8 -YZ	4	
5		285088001	HINGE - ACCESS DOOR	1	
6		296266615	HINGE - DOOR	1	
7		373005	BOLT-1/4-20X5/8 GR5 CARRIAGE	14	
8		1809005	NUT-1/4 SM FLGE T.L.	14	
9		218080001	LATCH-ADJ.LEVER W/RAISED BUTTN(INC KEYS)	2	
		97874003	KEYS		
10		7000D170	DECAL - RIGHT STRIPE	1	(S/N 647-)
11		7000C325	DECAL - SERIES II (10")	1	
12		70000614	DECAL-MODEL NAVIGATOR (BIG)	1	
13		2326595	DECAL VERMEER- 4 1/2 X 24	1	
14		282764001	WEATHER STRIP	A/R	P/N Qty. Of 1 = 1 Foot
15		296277667	SPRING GAS	1	(S/N 127-)
16		7000C384	DECAL- D7X11II GREASE CHART	1	
17		7000C528	DECAL - RELAY /FUSE PANEL	1	
18	*	296293864	FOAM - REMOTE/DOOR	1	

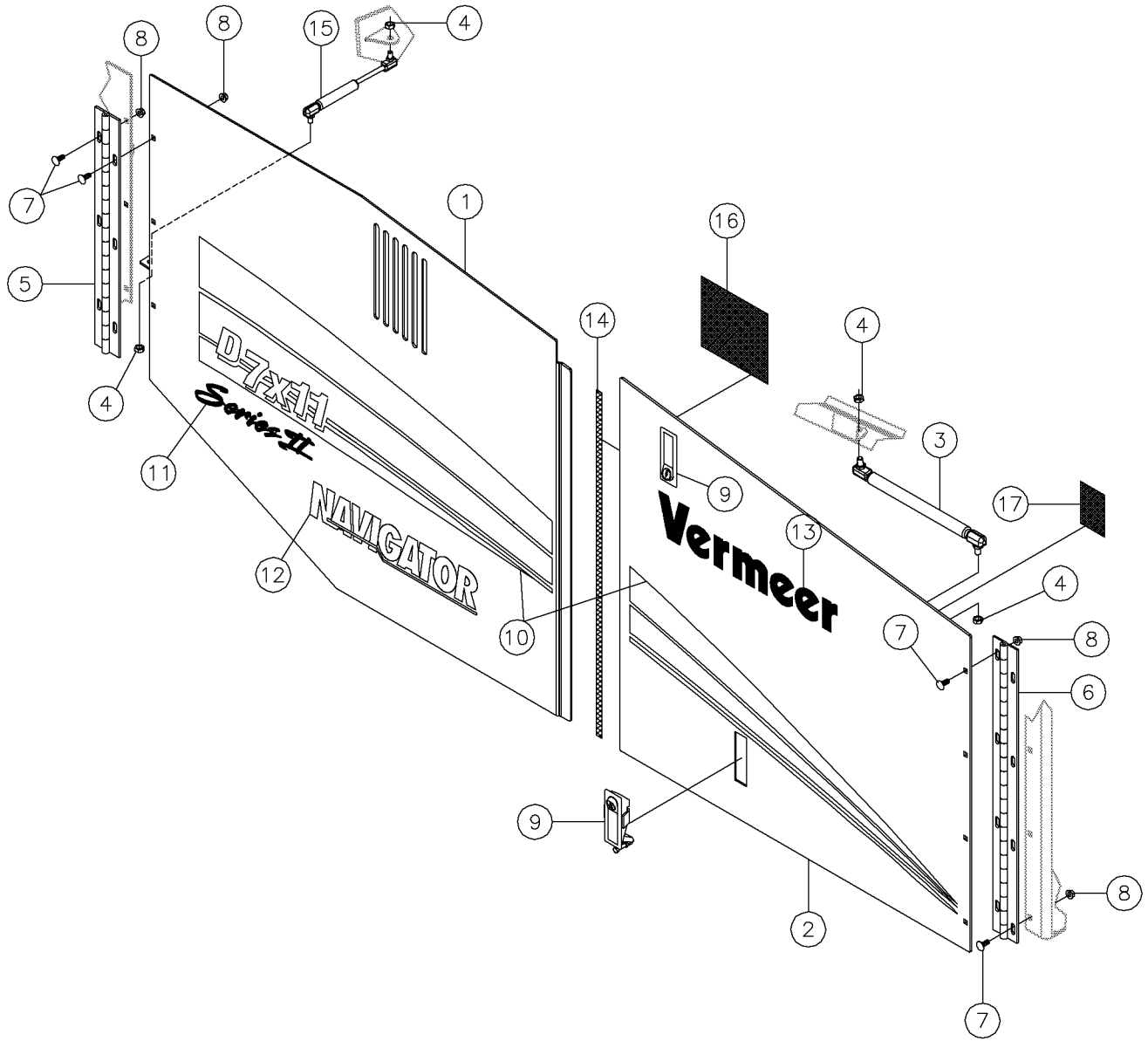
Engine Door (S/N 647-715) Fig 3-3r06



## Engine Door (S/N 647-715) Fig 3-3r06

REF. NO.	*	PART NO.	DESCRIPTION	QTY.	REMARKS
		Revision Date	May, 2007		Added Foam
1		296293801	WELDMENT - REAR DOOR	1	(S/N 588-)
2		296282350	WELDMENT - FRONT SIDE DOOR	1	(S/N 500-)
3		149863001	SPRING - GAS 15.94 LENGTH X 6.30 STROKE 56.2 LBS	1	
4		235741001	NUT - HEX - .31 - 18 - GR8 -YZ	4	
5		285088001	HINGE - ACCESS DOOR	1	
6		296266615	HINGE - DOOR	1	
7		373005	BOLT-1/4-20X5/8 GR5 CARRIAGE	14	
8		1809005	NUT-1/4 SM FLGE T.L.	14	
9		218080001	LATCH-ADJ.LEVER W/RAISED BUTTN(INC KEYS)	2	
		97874003	KEYS		
10		7000D170	DECAL - RIGHT STRIPE	1	(S/N 647-)
11		7000C325	DECAL - SERIES II (10")	1	
12		70000614	DECAL-MODEL NAVIGATOR (BIG)	1	
13		2326595	DECAL VERMEER- 4 1/2 X 24	1	
14		282764001	WEATHER STRIP	A/R	P/N Qty. Of 1 = 1 Foot
15		296277667	SPRING GAS	1	(S/N 127-)
16		7000C384	DECAL- D7X11II GREASE CHART	1	
17		7000C528	DECAL - RELAY /FUZE PANEL	1	
18	*	296293864	FOAM - REMOTE/DOOR	1	

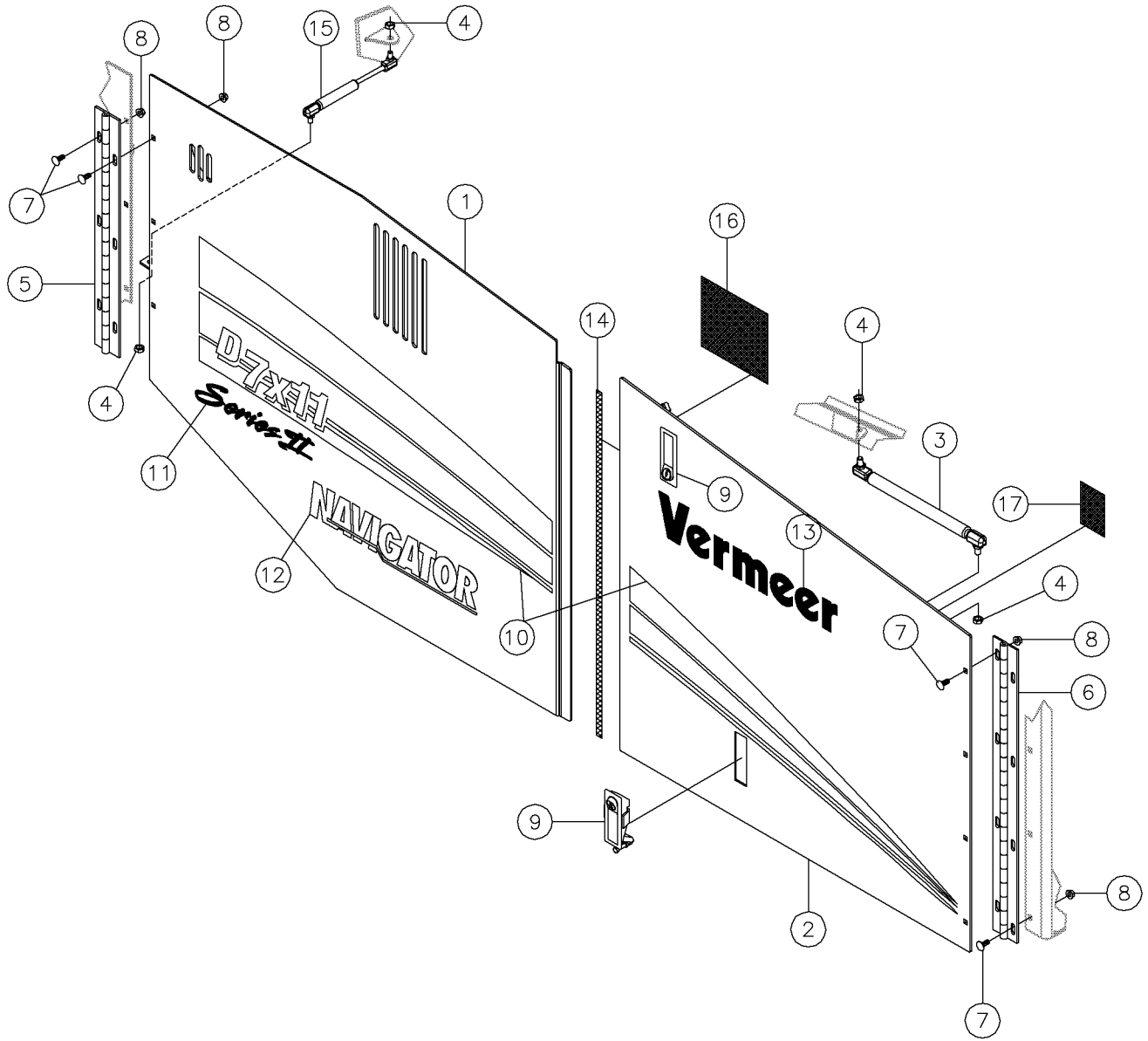
Engine Door (S/N 588-646) Fig 3-3r05



## Engine Door (S/N 588-646) Fig 3-3r05

REF. NO.	*	PART NO.	DESCRIPTION	QTY.	REMARKS
		Revision Date	November, 2006		Changed Door Weldments
1	*	296293801	WELDMENT - REAR DOOR	1	(S/N 588-)
2	*	296282350	WELDMENT - FRONT SIDE DOOR	1	(S/N 500-)
3		149863001	SPRING - GAS 15.94 LENGTH X 6.30 STROKE 56.2 LBS	1	
4		235741001	NUT - HEX - .31 - 18 - GR8 -YZ	4	
5		285088001	HINGE - ACCESS DOOR	1	
6		296266615	HINGE - DOOR	1	
7		373005	BOLT-1/4-20X5/8 GR5 CARRIAGE	14	
8		1809005	NUT-1/4 SM FLGE T.L.	14	
9		218080001	LATCH-ADJ.LEVER W/RAISED BUTTN(INC KEYS)	2	
	*	97874003	KEYS		
10		7000C323	DECAL - RIGHT STRIPE	1	
11		7000C325	DECAL - SERIES II (10")	1	
12	*	70000614	DECAL-MODEL NAVIGATOR (BIG)	1	
13		2326595	DECAL VERMEER- 4 1/2 X 24	1	
14		282764001	WEATHER STRIP	A/R	P/N Qty. Of 1 = 1 Foot
15		296277667	SPRING GAS	1	(S/N 127-)
16		7000C384	DECAL- D7X11II GREASE CHART	1	
17		7000C528	DECAL - RELAY /FUSE PANEL	1	

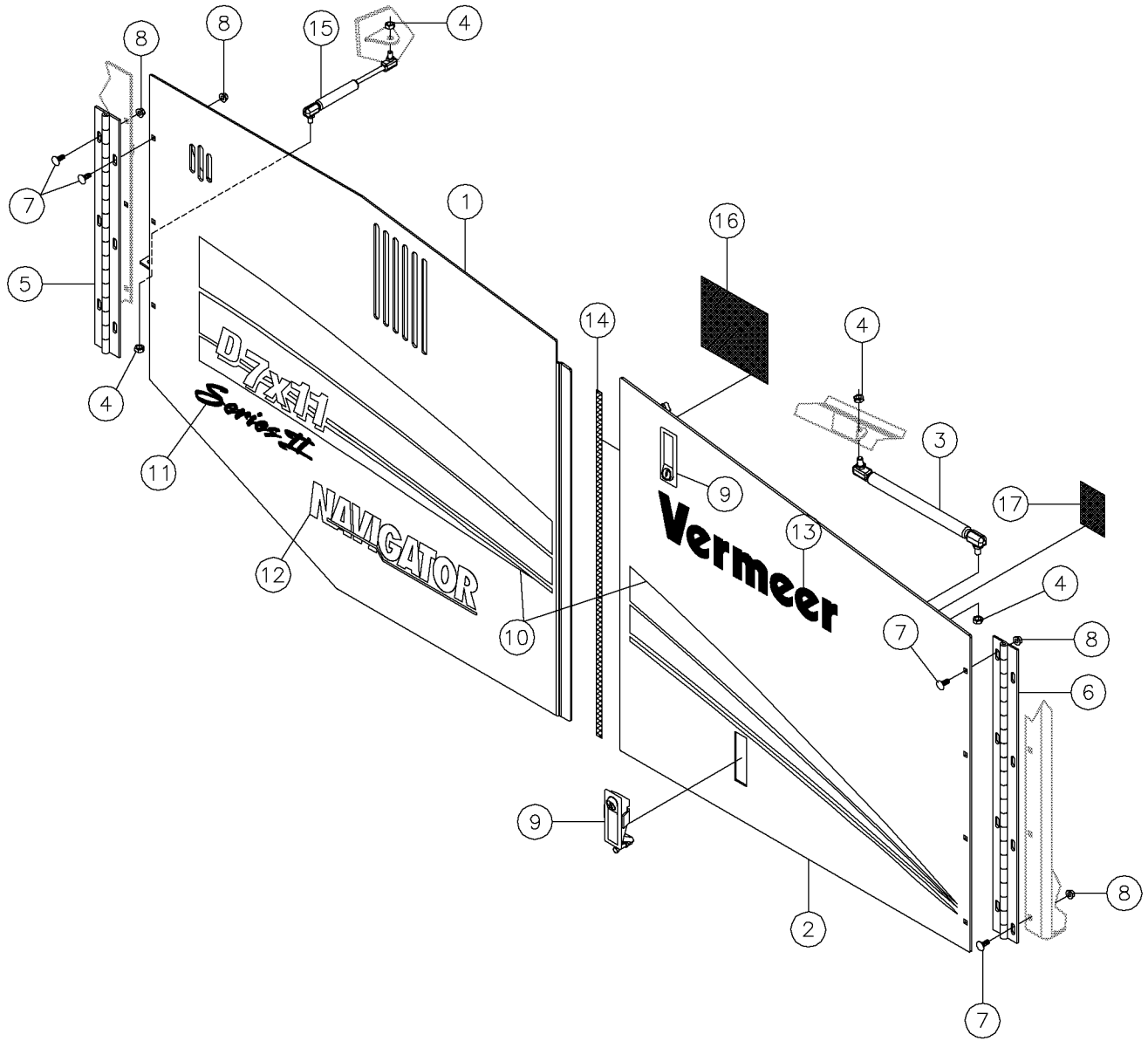
Engine Door Fig 3-3r04



## Engine Door Fig 3-3r04

REF. NO.	*	PART NO.	DESCRIPTION	QTY.	REMARKS
		Revision Date	April, 2006		Update In Illustration & Parts List.
1		296282289	WELDMENT - REAR DOOR	1	
2		296282350	WELDMENT - FRONT SIDE DOOR	1	S/N 500 & Up
3		149863001	SPRING - GAS 15.94 LENGTH X 6.30 STROKE 56.2 LBS	1	
4		235741001	NUT - HEX - .31 - 18 - GR8 -YZ	4	
5		285088001	HINGE - ACCESS DOOR	1	
6		296266615	HINGE - DOOR	1	
7		373005	BOLT-1/4-20X5/8 GR5 CARRIAGE	14	
8		1809005	NUT-1/4 SM FLGE T.L.	14	
9		218080001	LATCH-ADJ.LEVER W/RAISED BUTTN(INC KEYS)	2	
10		7000C323	DECAL - RIGHT STRIPE	1	
11		7000C325	DECAL - SERIES II (10")	1	
12		7000A010	DECAL-MODEL NAVIGATOR(MEDIUM)	1	
13		2326595	DECAL VERMEER- 4 1/2 X 24	1	
14		282764001	WEATHER STRIP	A/R	P/N Qty. Of 1 = 1 Foot
15		296277667	SPRING GAS	1	S/N 127 And Up
16		7000C384	DECAL- D7X11II GREASE CHART	1	
17		7000C528	DECAL - RELAY /FUSE PANEL	1	

Engine Door Fig 3-3r03

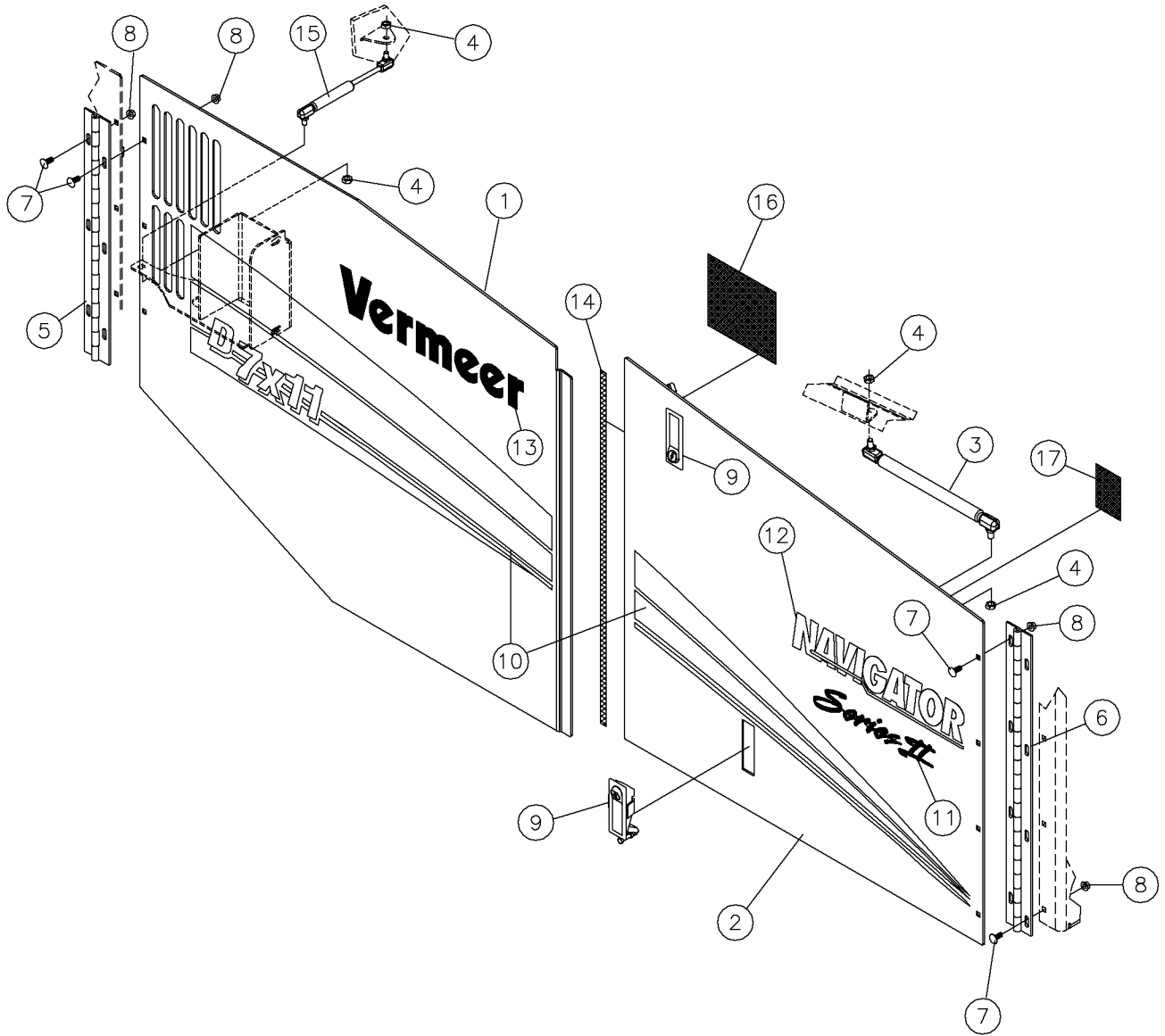




## Engine Door Fig 3-3r03

REF. NO.	*	PART NO.	DESCRIPTION	QTY.	REMARKS
		Revision Date	March, 2006		Update In Illustration & Parts List.
1		296282289	WELDMENT - REAR DOOR	1	
2		296273450	DOOR - FRONT SIDE WELDMENT	1	
3		149863001	SPRING - GAS 15.94 LENGTH X 6.30 STROKE 56.2 LBS	1	
4		235741001	NUT - HEX - .31 - 18 - GR8 -YZ	4	
5		285088001	HINGE - ACCESS DOOR	1	
6		296266674	HINGE - ENGINE DOOR 21"	1	
7		373005	BOLT-1/4-20X5/8 GR5 CARRIAGE	14	
8		1809005	NUT-1/4 SM FLGE T.L.	14	
9		218080001	LATCH-ADJ.LEVER W/RAISED BUTTN(INC KEYS)	2	
10		7000C323	DECAL - RIGHT STRIPE	1	
11		7000C325	DECAL - SERIES II (10")	1	
12		7000A010	DECAL-MODEL NAVIGATOR(MEDIUM)	1	
13		2326595	DECAL VERMEER- 4 1/2 X 24	1	
14		282764001	WEATHER STRIP	A/R	P/N Qty. Of 1 = 1 Foot
15		296277667	SPRING GAS	1	S/N 127 And Up
16		7000C384	DECAL- D7X11II GREASE CHART	1	
17		7000C528	DECAL - RELAY /FUSE PANEL	1	

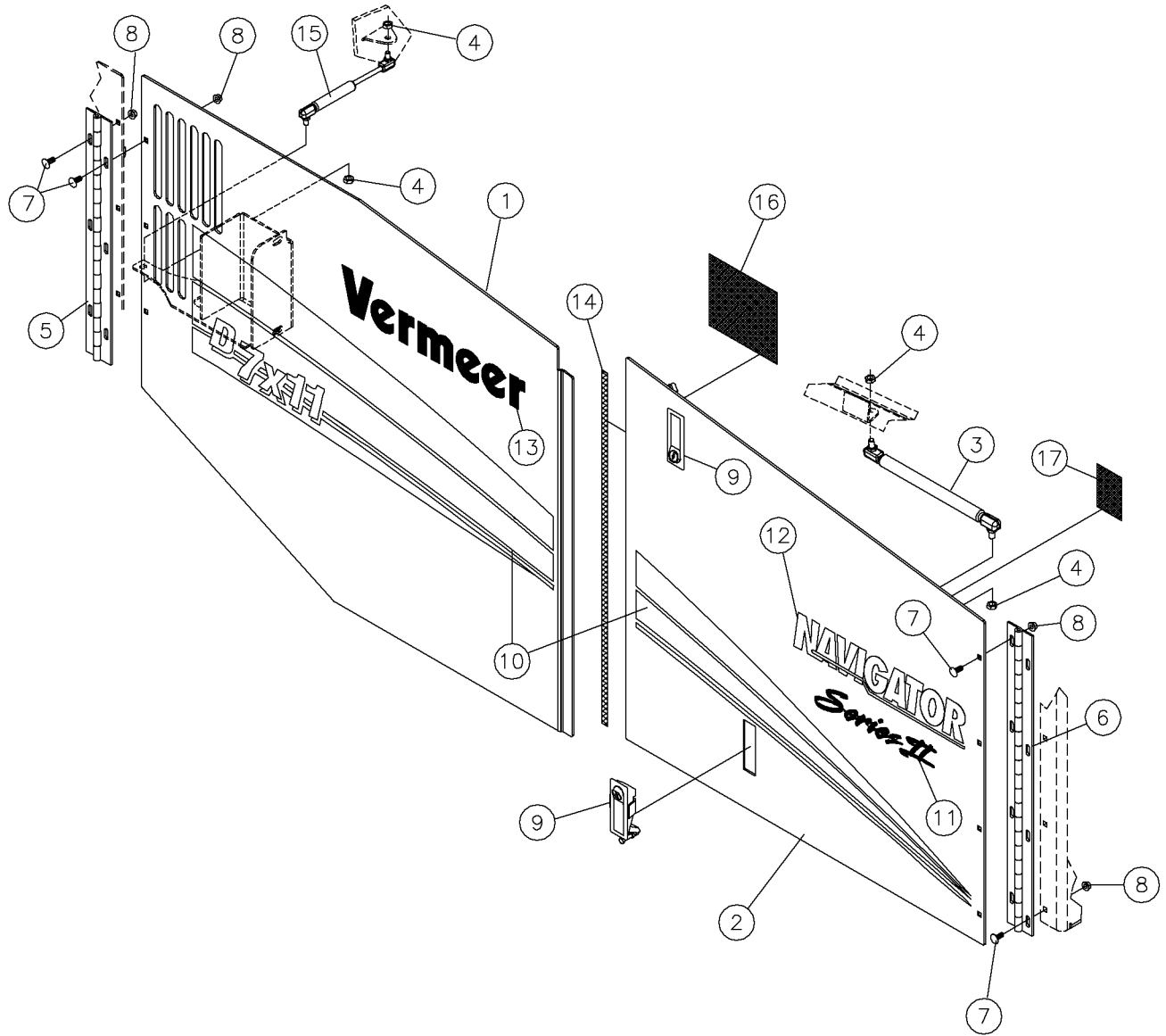
Engine Door Fig 3-3r02



## Engine Door Fig 3-3r02

REF. NO.	*	PART NO.	DESCRIPTION	QTY.	REMARKS
		Revision Date	October, 2005		Update In Illus. & Parts List.
1		296273466	DOOR REAR WELDMENT	1	
2		296273450	DOOR - FRONT SIDE WELDMENT	1	
3		149863001	SPRING - GAS 15.94 LENGTH X 6.30 STROKE 56.2 LBS	1	
4		235741001	NUT - HEX - .31 - 18 - GR8 -YZ	4	
5		285088001	HINGE - ACCESS DOOR	1	
6		296266674	HINGE - ENGINE DOOR 21"	1	
7		373005	BOLT-1/4-20X5/8 GR5 CARRIAGE	14	
8		1809005	NUT-1/4 SM FLGE T.L.	14	
9		218080001	LATCH-ADJ.LEVER W/RAISED BUTTN(INC KEYS)	2	
10		7000C323	DECAL - RIGHT STRIPE	1	
11		7000C325	DECAL - SERIES II (10")	1	
12		7000A010	DECAL-MODEL NAVIGATOR(MEDIUM)	1	
13		2326595	DECAL VERMEER- 4 1/2 X 24	1	
14		282764001	WEATHER STRIP	A/R	P/N Qty. Of 1 = 1 Foot
15		296277667	SPRING GAS	1	S/N 127 And Up
16		7000C384	DECAL- D7X11II GREASE CHART	1	
17	*	7000C528	DECAL - RELAY/FUSE PANEL	1	PN Change

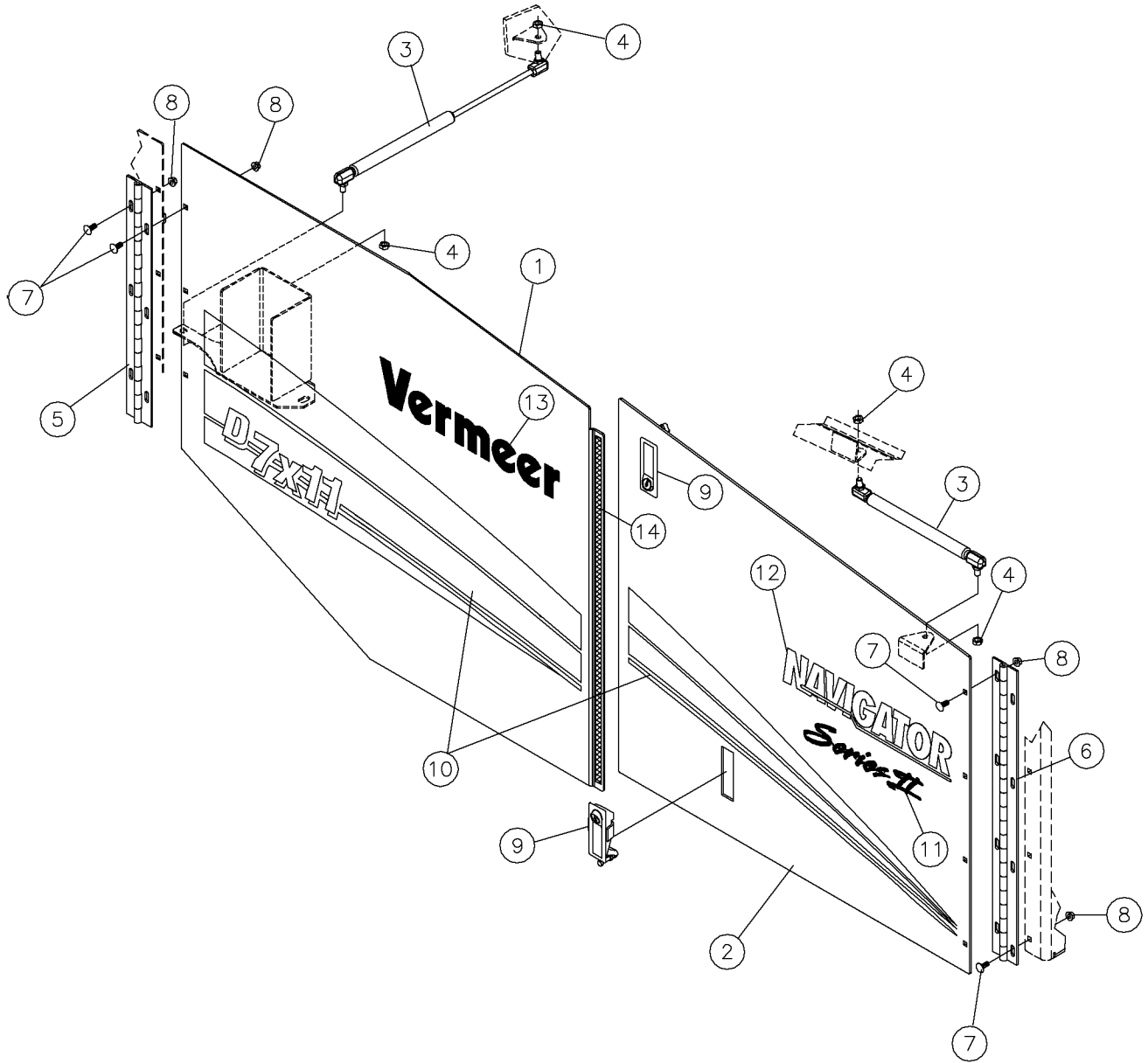
Engine Door Fig 3-3r01



## Engine Door Fig 3-3r01

REF. NO.	*	PART NO.	DESCRIPTION	QTY.	REMARKS
		Revision Date	March, 2005		Update In Illustration & Parts List.
1		296273466	DOOR REAR WELDMENT	1	
2		296273450	DOOR - FRONT SIDE WELDMENT	1	
3		149863001	SPRING - GAS 15.94 LENGTH X 6.30 STROKE 56.2 LBS	1	
4		235741001	NUT - HEX - .31 - 18 - GR8 -YZ	4	
5		285088001	HINGE - ACCESS DOOR	1	
6		296266674	HINGE - ENGINE DOOR 21"	1	
7		373005	BOLT-1/4-20X5/8 GR5 CARRIAGE	14	
8		1809005	NUT-1/4 SM FLGE T.L.	14	
9		218080001	LATCH-ADJ.LEVER W/RAISED BUTTN(INC KEYS)	2	
10		7000C323	DECAL - RIGHT STRIPE	1	
11		7000C325	DECAL - SERIES II (10")	1	
12		7000A010	DECAL-MODEL NAVIGATOR(MEDIUM)	1	
13		2326595	DECAL VERMEER- 4 1/2 X 24	1	
14		282764001	WEATHER STRIP	A/R	P/N Qty. Of 1 = 1 Foot
15		296277667	SPRING GAS	1	S/N 127 And Up
16		7000C384	DECAL- D7X11II GREASE CHART	1	
17		7000C421	DECAL - RELAY/FUSE PANEL	1	

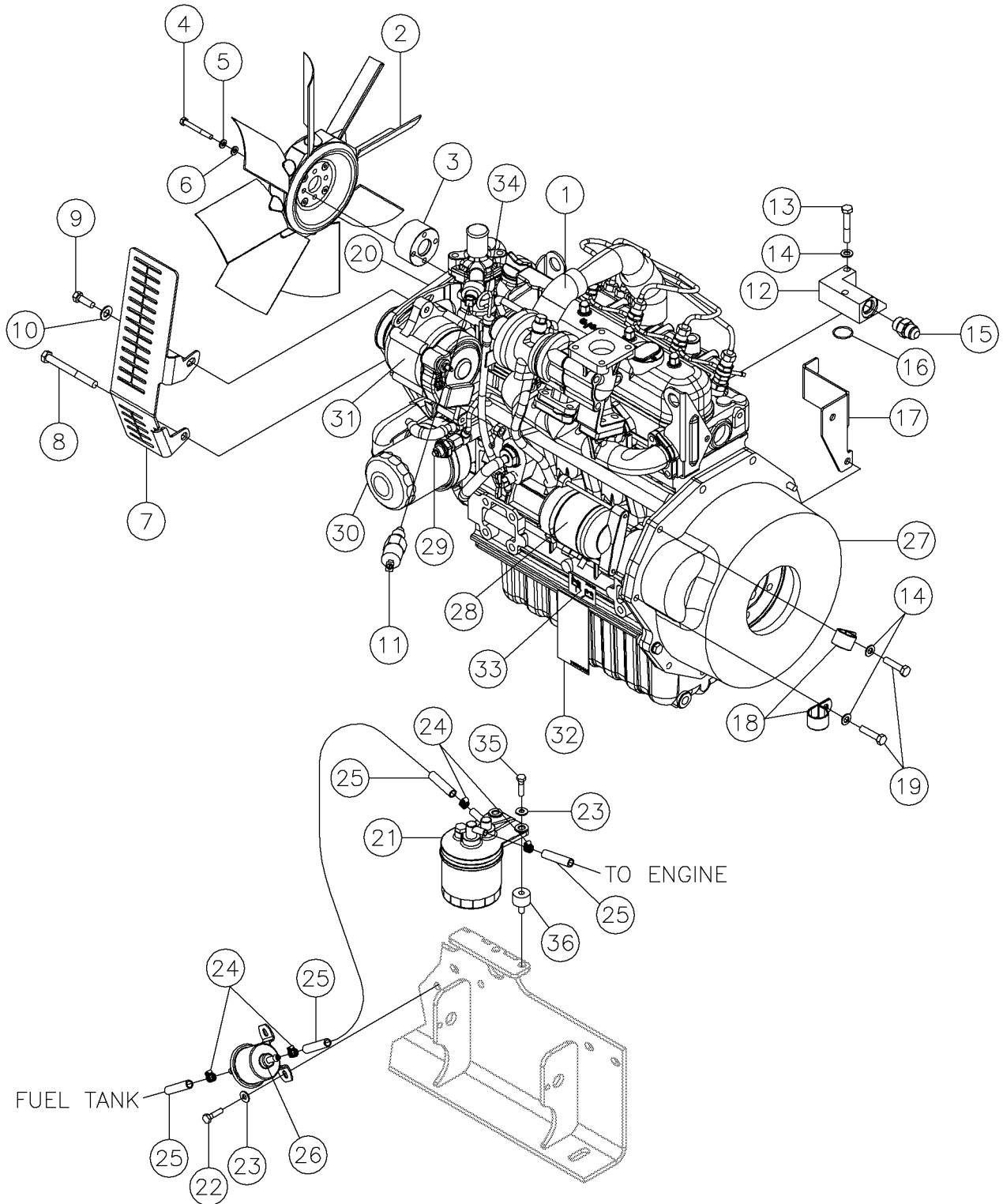
Engine Door Fig 3-3



## Engine Door Fig 3-3

REF. NO.	*	PART NO.	DESCRIPTION	QTY.	REMARKS
1		296273466	DOOR REAR WELDMENT	1	
2		296273450	DOOR - FRONT SIDE WELDMENT	1	
3		149863001	SPRING - GAS 15.94 LENGTH X 6.30 STROKE 56.2 LBS	2	
4		235741001	NUT - HEX - .31 - 18 - GR8 -YZ	4	
5		285088001	HINGE - ACCESS DOOR	1	
6		296266674	HINGE - ENGINE DOOR 21"	1	
7		373005	BOLT-1/4-20X5/8 GR5 CARRIAGE	14	
8		1809005	NUT-1/4 SM FLGE T.L.	14	
9		218080001	LATCH-ADJ.LEVER W/RAISED BUTTN(INC KEYS)	2	
10		7000C323	DECAL - RIGHT STRIPE	1	
11		7000C325	DECAL - SERIES II (10")	1	
12		7000A010	DECAL-MODEL NAVIGATOR(MEDIUM)	1	
13		2326595	DECAL VERMEER- 4 1/2 X 24	1	
14		245059001	TAPE-URETHANE .75"WX 36 YD ROL	1	

Engine Components (S/N 494-) Fig 4-1r04

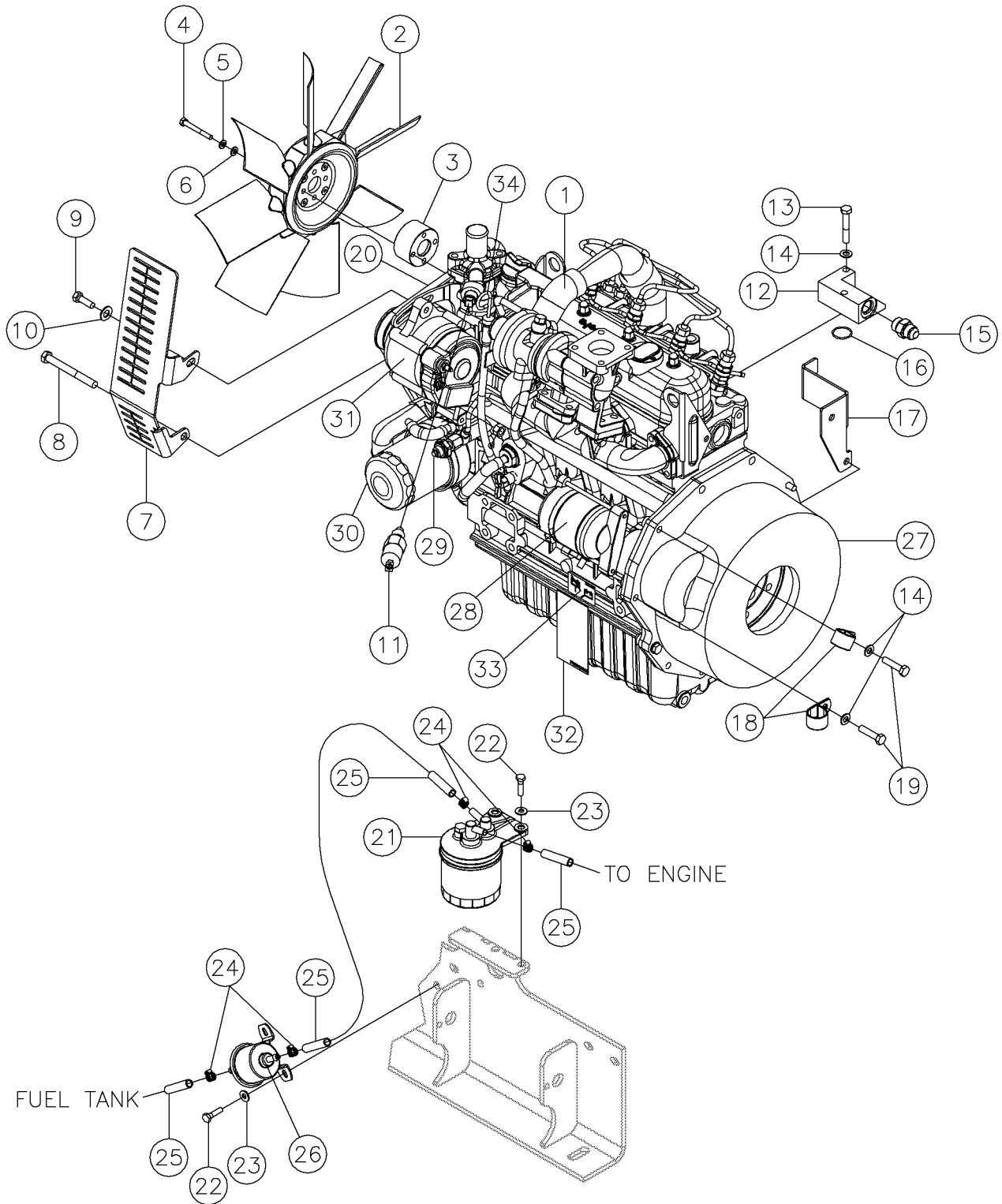




## Engine Components (S/N 494-) Fig 4-1r04

REF. NO.	*	PART NO.	DESCRIPTION	QTY.	REMARKS
		Revision Date	April, 2007		Added New Isolator.
1		296273458	ENGINE - 42 HP KUBOTA TURBO	1	
2		296283880	FAN-8 BLADE 14.62 IN DIA D7X11 II 10 FT	1	
3		296271116	HUB	1	
4		506031050	SCREW-HCS,M6-1.00X50,8.8,YZ,D931,PT	4	
5		506047006	WASHER-LOCK,M6,YZ,D127B	4	
6		506046006	WASHER-FLAT,M6,YZ,D,125A	9	
7		296282307	GUARD - ALTERNATOR	1	
8		16114034	BOLT-3/8-16X3 1/2 HEX HD. GR8	1	
9		510301010	SCREW-HCS-.31-18X1.00-GR5-YZ	1	
10		235713001	WASHER - FLATSTRL - .38 - .41 X .81 - .06-YA-A325	12	
11		296282344	SENDER - WATER TEMP TD	1	
12		296273449	BLOCK - KUBOTA PUMP ADAPTER	1	
13		508475050	SCREW-HCS,M8-1,25X50,10.9,YZ,ISO4014,PT	2	
14		506046008	WASHER-FLAT,M8,YZ,D125A	4	
15		53824001	FITTING-#8M O-RING-#8M JIC ST.	1	
16		294560001	O-RING - #16FFOR 90D POLYURETHANE	1	
17		296273314	BRACKET - THROTTLE	1	
18		2595009	CLAMP-1 1/4 HOSE #7701164	2	
19		568001	8 X 35MM DIN933 FULLY THRD.	5	
20		296271094	FAN BELT	1	
21		296276753	FUEL FILTER ASSY	1	
22		235735001	BOLT-1/4-20X1 GR8 HEX ZYC	2	
23		235716001	WASHER - FLATSTRL - .25 -.28 X .63 - .06 - CZ	4	
24		1580001	HOSE CLAMP - 3/8"	4	
25		620001	HOSE - 5/16 FUEL LINE	4	
26		296271098	ELECTRIC FUEL PUMP	1	
27		296271118	COUPLING ASSEMBLY	1	Breakdown fig. 12-32
28		296271101	STARTER MOTOR	1	
29		218420039	OIL SWITCH	1	
30		296271097	OIL FILTER	1	
31		296271095	ALTERNATOR-40 AMP	1	
32		7000C446	DECAL - NO WELD	1	Domestic
		700IC446	DECAL - NO WELD	1	International
33		700IA477	DECAL_BATTERY SWITCH (UG)	1	
34		296287248	DIPSTICK	1	
35	*	235734001	BOLT-1/4-20X3/4 GR8 ZYC	2	
36	*	296275234	ISOLATER - FUEL FILTER MOUNT	2	

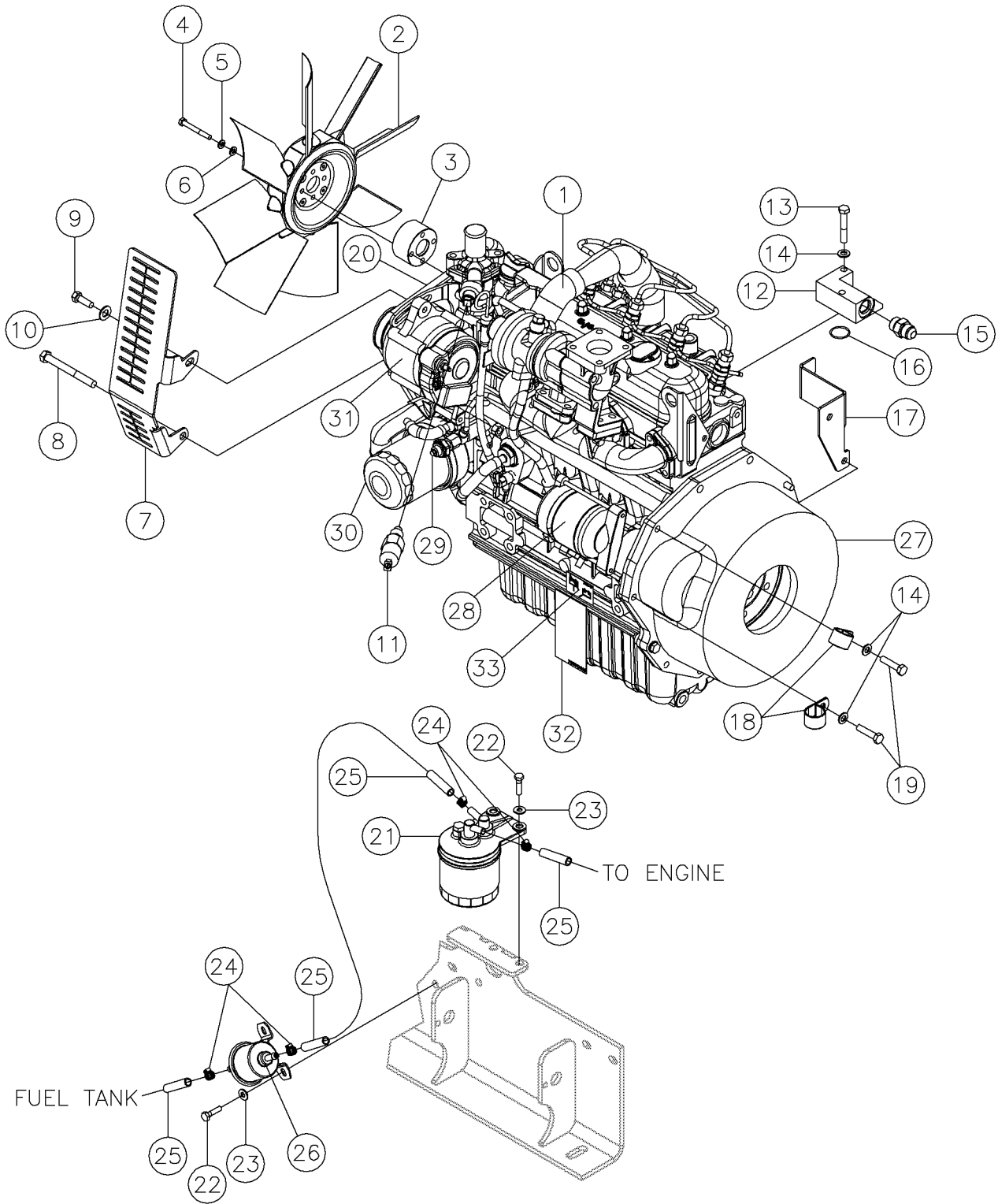
Engine Components (S/N 494-) Fig 4-1r03



## Engine Components (S/N 494-) Fig 4-1r03

REF. NO.	*	PART NO.	DESCRIPTION	QTY.	REMARKS
		Revision Date	August, 2006		Added Item 34
1		296273458	ENGINE - 42 HP KUBOTA TURBO	1	
2		296283880	FAN-8 BLADE 14.62 IN DIA D7X11 II 10 FT	1	
3		296271116	HUB	1	
4		506031050	SCREW-HCS,M6-1.00X50,8.8,YZ,D931,PT	4	
5		506047006	WASHER-LOCK,M6,YZ,D127B	4	
6		506046006	WASHER-FLAT,M6,YZ,D,125A	9	
7		296282307	GUARD - ALTERNATOR	1	
8		16114034	BOLT-3/8-16X3 1/2 HEX HD. GR8	1	
9		510301010	SCREW-HCS-.31-18X1.00-GR5-YZ	1	
10		235713001	WASHER - FLATSTRL - .38 - .41 X .81 - .06-YA-A325	12	
11		296282344	SENDER - WATER TEMP TD	1	
12		296273449	BLOCK - KUBOTA PUMP ADAPTER	1	
13		508475050	SCREW-HCS,M8-1,25X50,10.9,YZ,ISO4014,PT	2	
14		506046008	WASHER-FLAT,M8,YZ,D125A	4	
15		53824001	FITTING-#8M O-RING-#8M JIC ST.	1	
16		294560001	O-RING - #16FFOR 90D POLYURETHANE	1	
17		296273314	BRACKET - THROTTLE	1	
18		2595009	CLAMP-1 1/4 HOSE #7701164	2	
19		568001	8 X 35MM DIN933 FULLY THRD.	5	
20		296271094	FAN BELT	1	
21		296276753	FUEL FILTER ASSY	1	
22		235735001	BOLT-1/4-20X1 GR8 HEX ZYC	4	
23		235716001	WASHER - FLATSTRL - .25 -.28 X .63 - .06 - CZ	4	
24		1580001	HOSE CLAMP - 3/8"	4	
25		620001	HOSE - 5/16 FUEL LINE	4	
26		296271098	ELECTRIC FUEL PUMP	1	
27		296271118	COUPLING ASSEMBLY	1	Breakdown fig. 12-32
28		296271101	STARTER MOTOR	1	
29		218420039	OIL SWITCH	1	
30		296271097	OIL FILTER	1	
31		296271095	ALTERNATOR-40 AMP	1	
32		7000C446	DECAL - NO WELD	1	Domestic
		700IC446	DECAL - NO WELD	1	International
33		700IA477	DECAL_BATTERY SWITCH (UG)	1	
34	*	296287248	DIPSTICK	1	

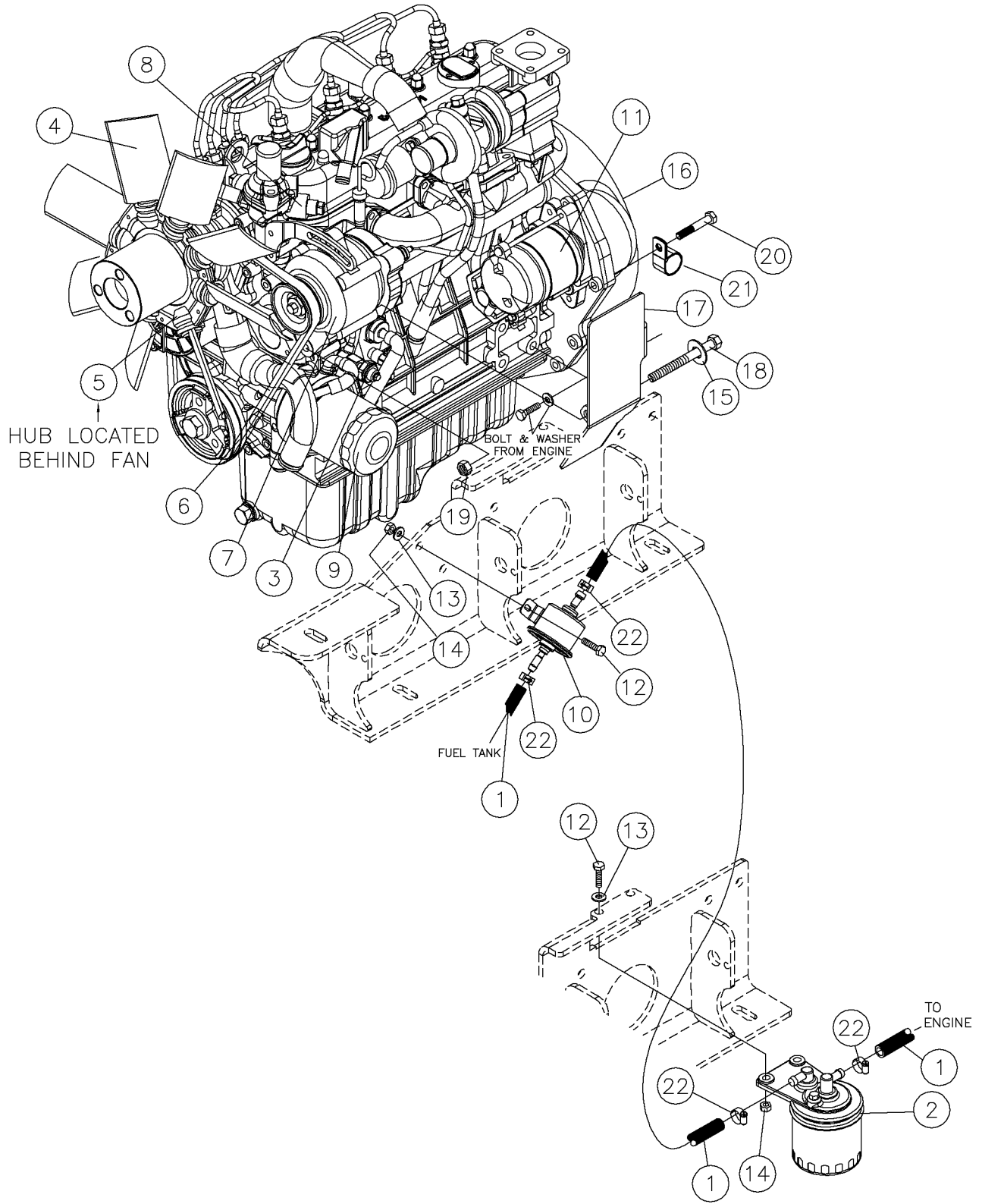
Engine Components (S/N 494-) Fig 4-1r02



## Engine Components (S/N 494-) Fig 4-1r02

REF. NO.	*	PART NO.	DESCRIPTION	QTY.	REMARKS
		Revision Date	March, 2006		Update In Illustration & Parts List.
1		296273458	ENGINE - 42 HP KUBOTA TURBO	1	
2		296283880	FAN-8 BLADE 14.62 IN DIA D7X11 II 10 FT	1	
3		296271116	HUB	1	
4		506031050	SCREW-HCS,M6-1.00X50,8.8,YZ,D931,PT	4	
5		506047006	WASHER-LOCK,M6,YZ,D127B	4	
6		506046006	WASHER-FLAT,M6,YZ,D,125A	9	
7		296282307	GUARD - ALTERNATOR	1	
8		16114034	BOLT-3/8-16X3 1/2 HEX HD. GR8	1	
9		510301010	SCREW-HCS-.31-18X1.00-GR5-YZ	1	
10		235713001	WASHER - FLATSTRL - .38 - .41 X .81 - .06-YA-A325	12	
11		296277735	SENDER - WATER TEMP	1	
12		296273449	BLOCK - KUBOTA PUMP ADAPTER	1	
13		508475050	SCREW-HCS,M8-1,25X50,10.9,YZ,ISO4014,PT	2	
14		506046008	WASHER-FLAT,M8,YZ,D125A	4	
15		53824001	FITTING-#8M O-RING-#8M JIC ST.	1	
16		294560001	O-RING - #16FFOR 90D POLYURETHANE	1	
17		296273314	BRACKET - THROTTLE	1	
18		2595009	CLAMP-1 1/4 HOSE #7701164	2	
19		568001	8 X 35MM DIN933 FULLY THRD.	5	
20		296271094	FAN BELT	1	
21		296276753	FUEL FILTER ASSY	1	
22		235735001	BOLT-1/4-20X1 GR8 HEX ZYC	4	
23		235716001	WASHER - FLATSTRL - .25 -.28 X .63 - .06 - CZ	4	
24		1580001	HOSE CLAMP - 3/8"	4	
25		620001	HOSE - 5/16 FUEL LINE	4	
26		296271098	ELECTRIC FUEL PUMP	1	
27		296271118	COUPLING ASSEMBLY	1	Breakdown fig. 12-32
28		296271101	STARTER MOTOR	1	
29		218420039	OIL SWITCH	1	
30		296271097	OIL FILTER	1	
31		296271095	ALTERNATOR-40 AMP	1	
32		7000C446	DECAL - NO WELD	1	Domestic
		700IC446	DECAL - NO WELD	1	International
33		700IA477	DECAL_BATTERY SWITCH (UG)	1	

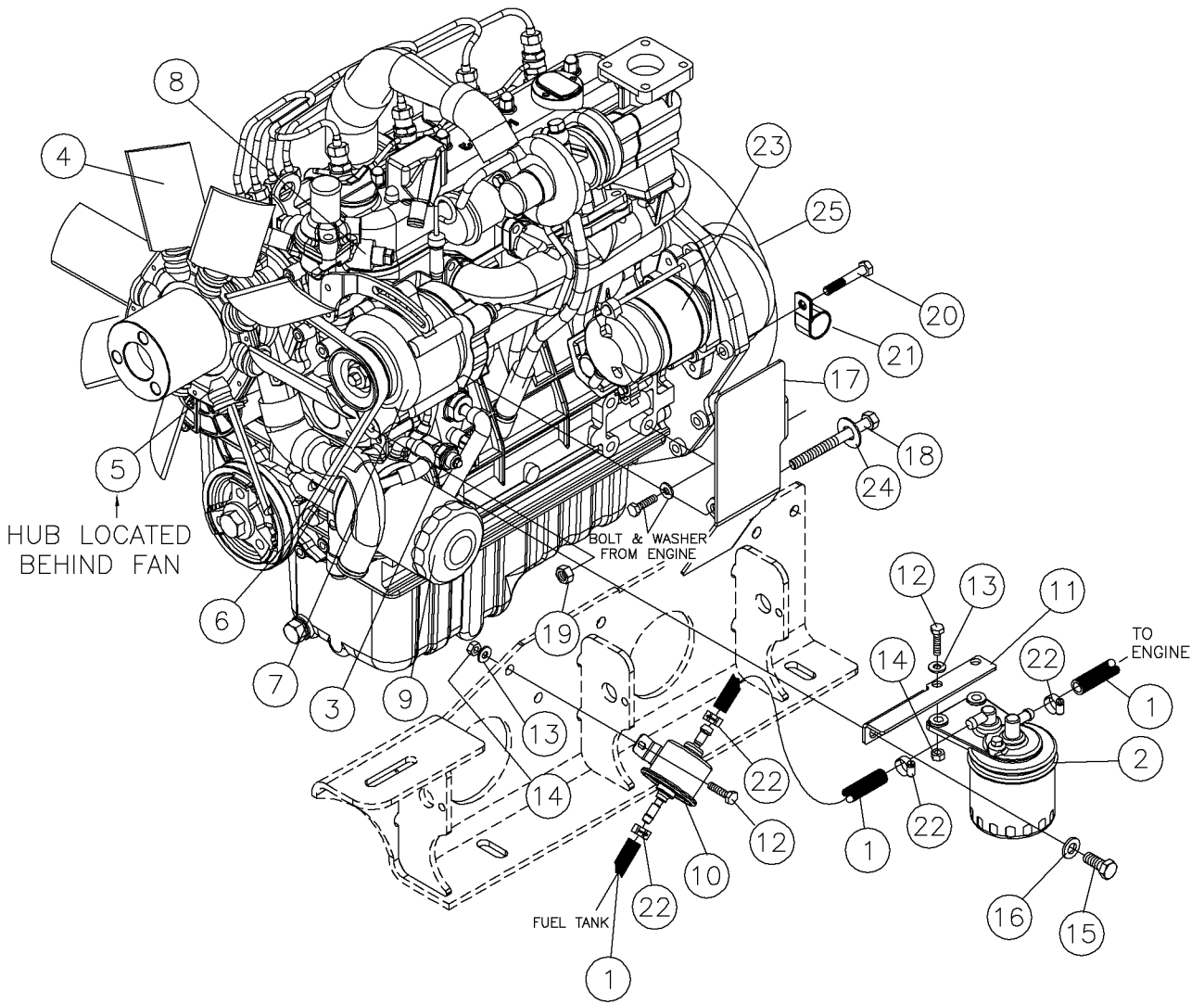
Engine Components Fig 4-1r01



## Engine Components Fig 4-1r01

REF. NO.	*	PART NO.	DESCRIPTION	QTY.	REMARKS
		Revision Date	March, 2005		Update In Illustration & Parts List.
1		620001	HOSE - 5/16 FUEL LINE	A/R	P/N Qty. Of 1 = 1 Foot
2		296276753	FUEL FILTER ASSY	1	
		296272875	FUEL FILTER	1	
		296276752	FUEL FILTER HEAD	1	
3		218420039	OIL SWITCH	1	
4		296273485	FAN - 8 BLADE SUCTION	1	
5		296271116	HUB	1	
6		296271094	FAN BELT	1	
7		296271095	ALTERNATOR-40 AMP	1	
8		296277735	SENDER - WATER TEMP	1	
9		296271097	OIL FILTER	1	
10		296271098	ELECTRIC FUEL PUMP	1	
11		296271101	STARTER MOTOR	1	
12		235735001	BOLT-1/4-20X1 GR8 HEX ZNC PLTD	4	
13		235716001	WASHER - FLATSTRL - .25 -.28 X .63 - .06 - CZ	4	
14		235732001	NUT - HEX - .25 - 20 - GR8 - YZ	4	
15		235713001	WASHER - FLATSTRL - .38 - .41 X .81 - .06-YA-A325	1	
16		296271118	COUPLING ASSEMBLY	1	Breakdown Fig. 12-32
17		296273491	GUARD - ALTERNATOR	1	
18		16114034	BOLT-3/8-16X3 1/2 HEX HD. GR8	1	
19		250508001	NUT - 3/8-NC Gr8 TOP LOCK Y/ZINC	1	
20		508475050	SCREW-HCS,M8-1,25X50,10.9,YZ,ISO4014,PT	1	
21		2595009	CLAMP-1 1/4 HOSE #7701164	1	
22		1580001	HOSE CLAMP - 3/8"	4	

Engine Components Fig 4-1

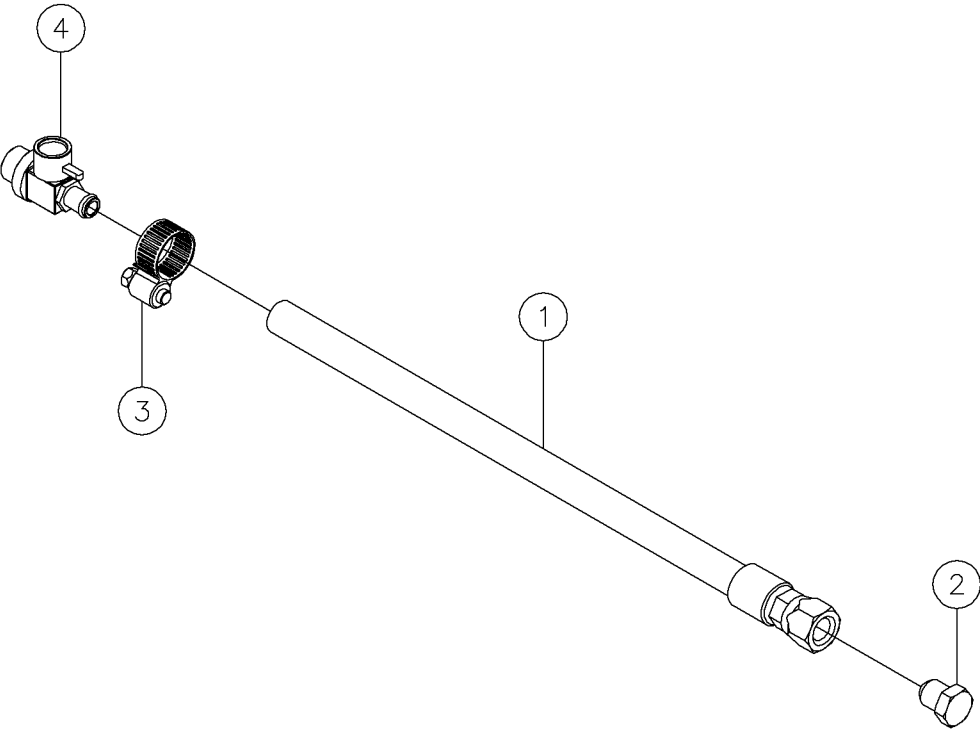




## Engine Components Fig 4-1

REF. NO.	*	PART NO.	DESCRIPTION	QTY.	REMARKS
1		620001	HOSE - 5/16 FUEL LINE	A/R	P/N Qty. Of 1 = 1 Foot
2		296272875	ELEMENT-FUEL FILTER	1	
3		218420039	OIL SWITCH	1	
4		296273485	FAN - 8 BLADE SUCTION	1	
5		296271116	HUB	1	
6		296271094	FAN BELT	1	
7		296271095	ALTERNATOR-40 AMP	1	
8		219249001	SENDER-WATER TEMP	1	
9		296271097	OIL FILTER	1	
10		296271098	ELECTRIC FUEL PUMP	1	
11		296273496	PLATE - FUEL FILTER BRACKET	1	
12		235735001	BOLT-1/4-20X1 GR8 HEX ZNC PLTD	4	
13		235716001	WASHER - FLATSTRL - .25 - .28 X .63 - .06 - CZ	4	
14		235732001	NUT - HEX - .25 - 20 - GR8 - YZ	4	
15		505703001	BOLT - M10X25 MC HEX GR 8.8 PLT	2	
16		141350001	WASHER-M10 HARDEN PLATED FLAT	2	
17		296273491	GUARD - ALTERNATOR	1	
18		16114034	BOLT-3/8-16X3 1/2 HEX HD. GR8	1	
19		250508001	NUT - 3/8-NC Gr8 TOP LOCK Y/ZINC	1	
20		508475050	SCREW-HCS,M8-1,25X50,10.9,YZ,ISO4014,PT	1	
21		2595009	CLAMP-1 1/4 HOSE #7701164	1	
22		1580001	HOSE CLAMP - 3/8"	4	
23		296271101	STARTER	1	
24		235713001	WASHER - FLATSTRL - .38 - .41 X .81 - .06-YA-A325	1	
25		296271118	COUPLING ASSY	1	Breakdown Fig. 12-32

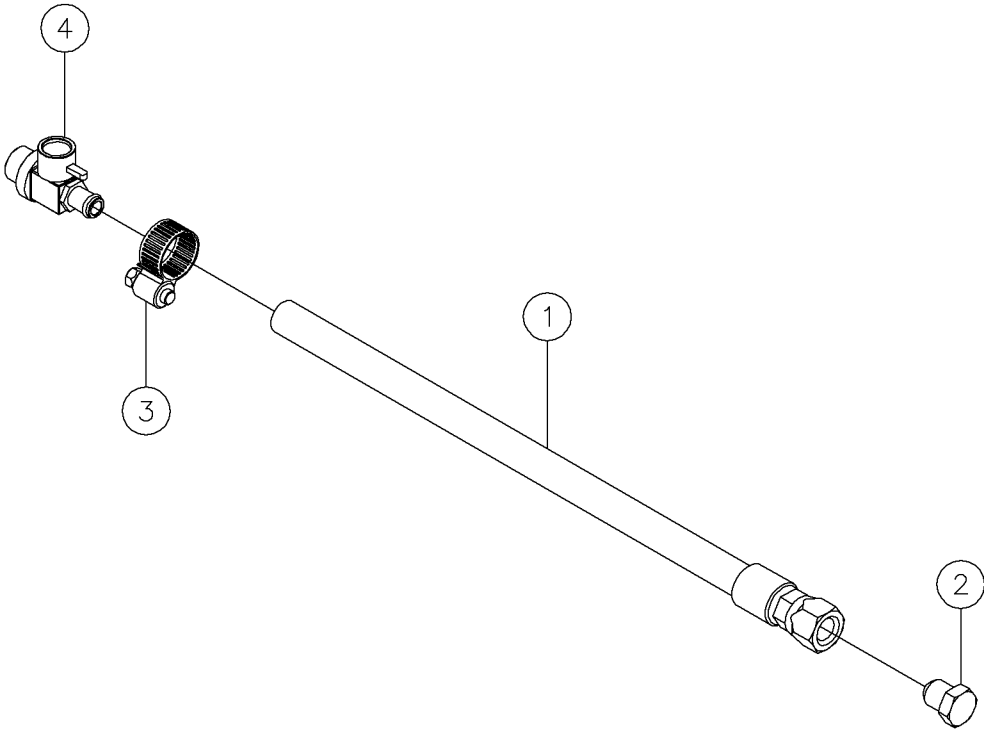
Engine Oil Drain Fig 4-2r03



## Engine Oil Drain Fig 4-2r03

REF. NO.	*	PART NO.	DESCRIPTION	QTY.	REMARKS
		Revision Date	April, 2006		Update In Parts List.
1		57940673	HOSE-3/8X12 6FSJICST/NONE 2250	1	
2		83635001	PLUG-#6 JIC MALE	1	
3		1580003	HOSE CLAMP - 3/4"	1	
4		225984001	VALVE-ENGINE OIL DRAIN	1	

Engine Oil Drain Fig 4-2r02

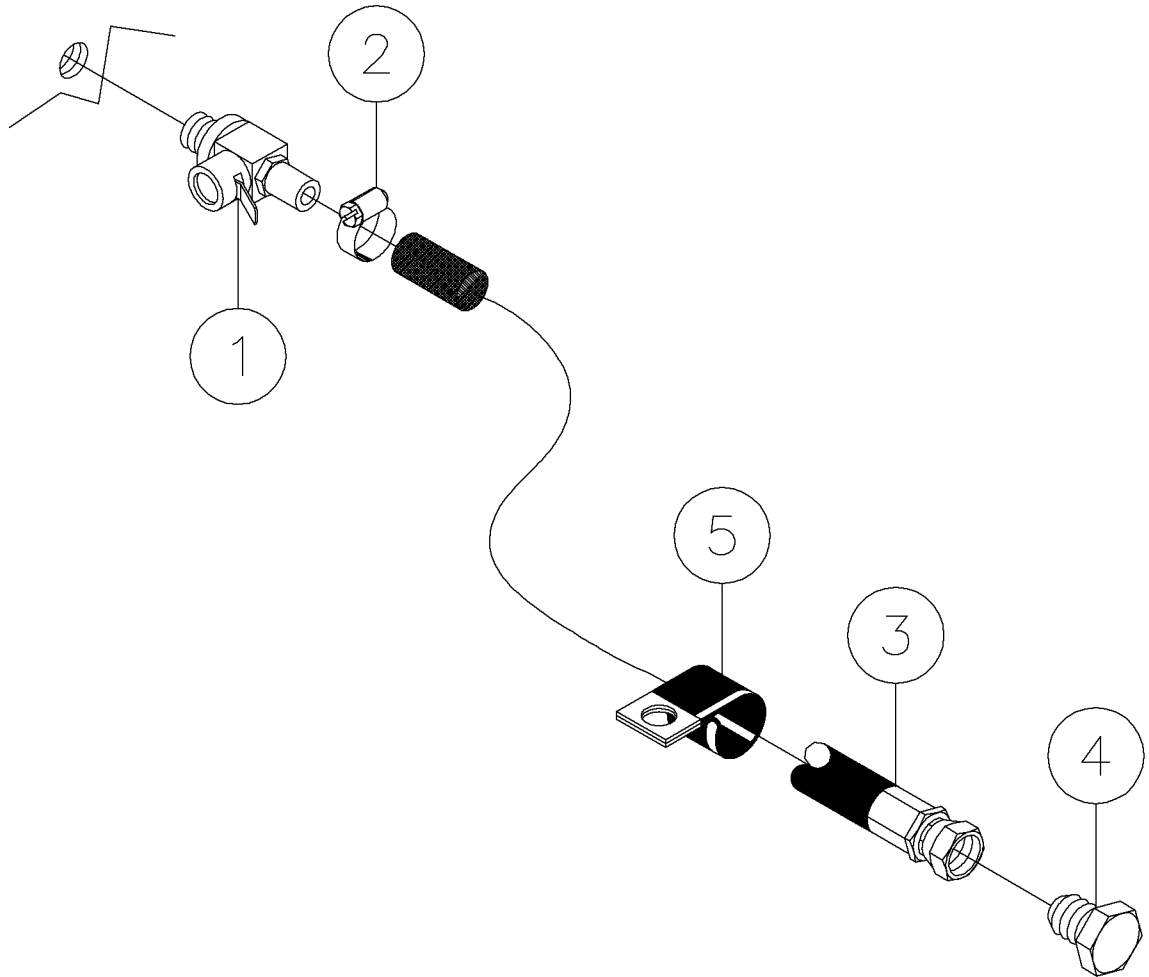


## Engine Oil Drain Fig 4-2r02

REF. NO.	*	PART NO.	DESCRIPTION	QTY.	REMARKS
		Revision Date	March, 2006		Update In Illustration & Parts List.
1		57940673	HOSE-3/8X12 6FSJICST/NONE 2250	1	
2		83635001	PLUG-#6 JIC MALE	1	
3		1580011	HOSE CLAMP - 2"	1	
4		225984001	VALVE-ENGINE OIL DRAIN	1	

Engine Oil Drain Fig 4-2r01

OIL PAN

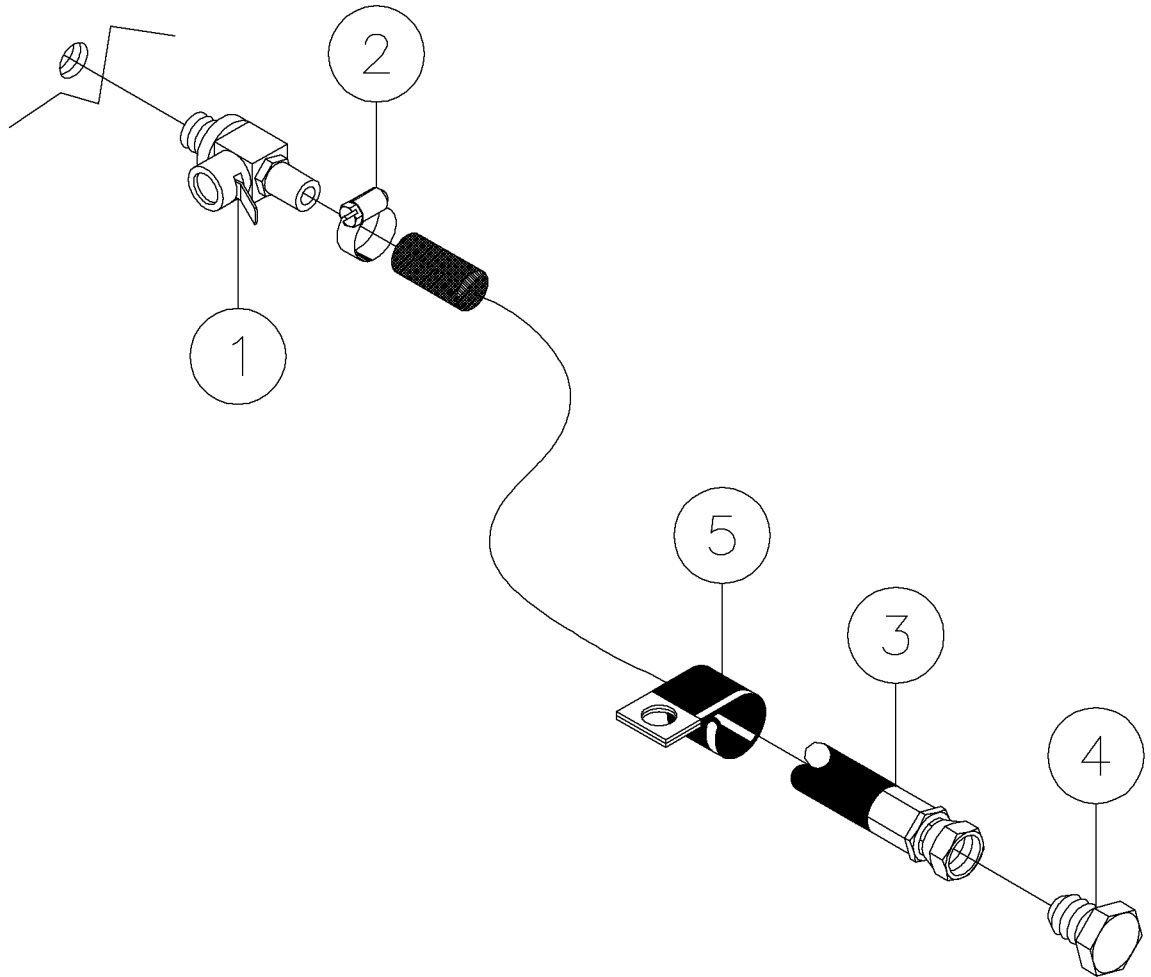


Engine Oil Drain Fig 4-2r01

REF. NO.	*	PART NO.	DESCRIPTION	QTY.	REMARKS
		Revision Date	March, 2005		Update In Parts List.
1		225984001	VALVE-ENGINE OIL DRAIN	1	
2		1580003	HOSE CLAMP - 3/4"	1	
3		57940673	HOSE-3/8X12 6FSJICST/NONE 2250	1	
4		83635001	PLUG-#6 JIC MALE	1	
5		2595009	CLAMP-1 1/4 HOSE #7701164	1	

Engine Oil Drain Fig 4-2

OIL PAN

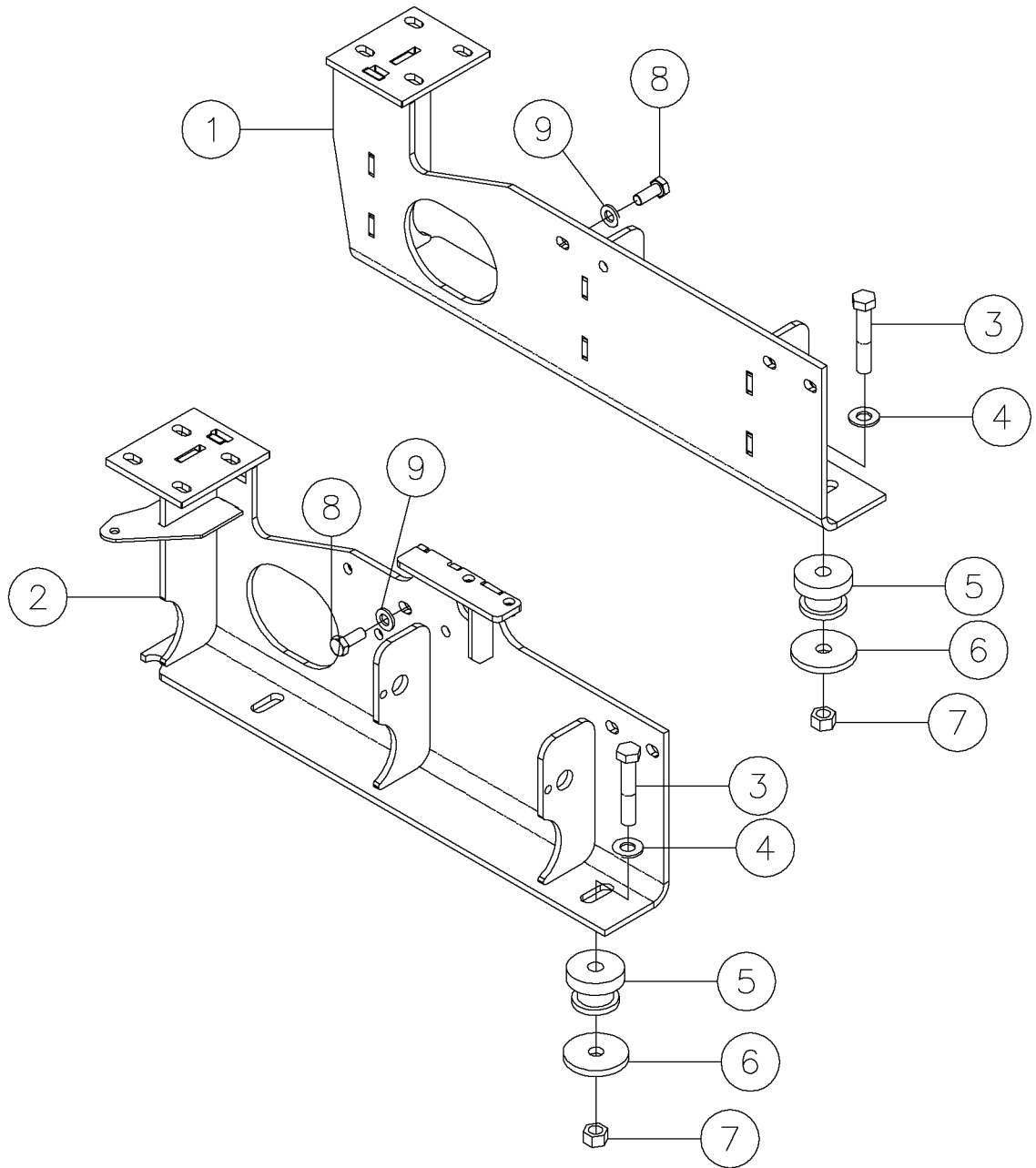




## Engine Oil Drain Fig 4-2

REF. NO.	*	PART NO.	DESCRIPTION	QTY.	REMARKS
1		225984001	VALVE-ENGINE OIL DRAIN	1	
2		1580003	HOSE CLAMP - 3/4" REF T02628	1	
3		57940673	HOSE-3/8X12 6FSJICST/NONE 2250	1	
4		83635001	PLUG-#6 JIC MALE	1	

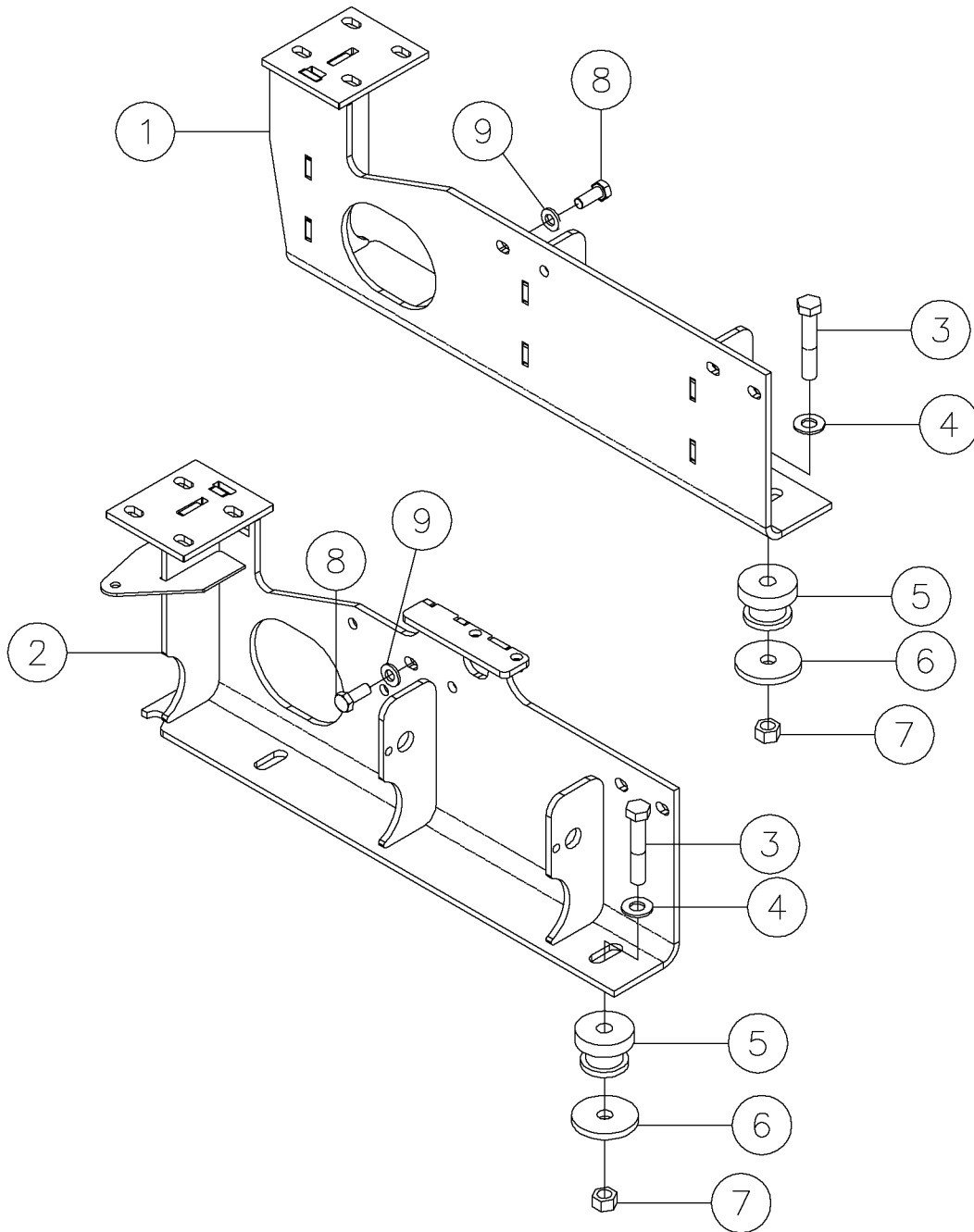
Motor Mounts (S/N 714-) Fig 4-3r04



## Motor Mounts (S/N 714-) Fig 4-3r04

REF. NO.	*	PART NO.	DESCRIPTION	QTY.	REMARKS
		Revision Date	April, 2007		Added Gusset To Mount
1		296282330	MOUNT-RIGHT ENGINE-D10X14	1	(S/N 520-)
2	*	296282323	MOUNT - LEFT ENGINE MOUNT - D10X14	1	(S/N 714-)
3		235744001	BOLT-1/2-13X2 3/4 GR8 ZNC PLTD	4	
4		485025	WASHER-1/2 FLAT-HARDENED-YZ	4	
5		236373001	ISOLATOR-CB-1122-2 RUBBER	4	
6		510359621	WASHER-FLATWRT-.50-.53X2.25-.25-YZ	4	
7		423001	NUT-1/2 NC SLTL UTB	4	
8		505703001	BOLT - M10X25 MC HEX GR 8.8 PLT	8	
9		141350001	WASHER-M10 HARDEN PLATED FLAT	8	

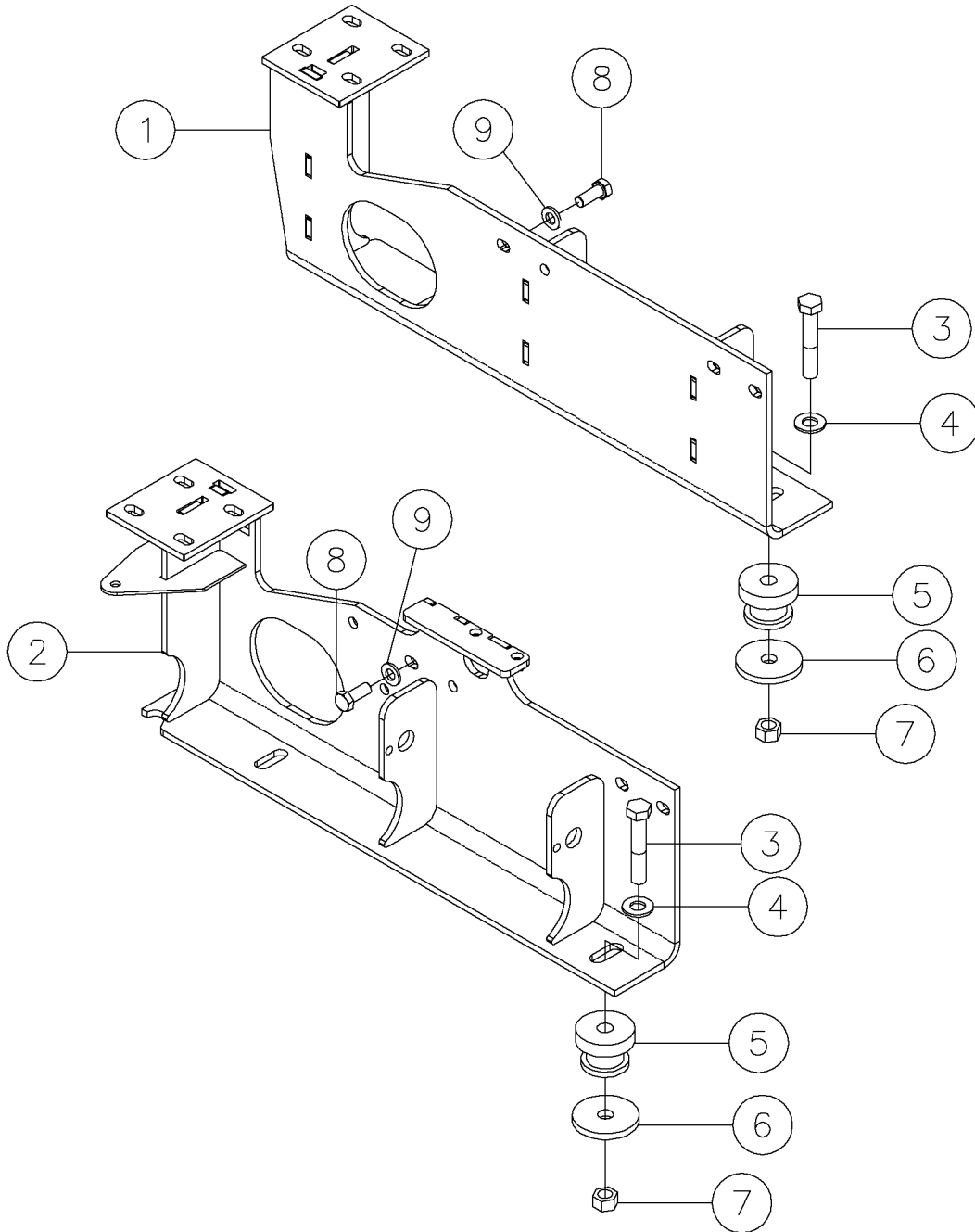
Motor Mounts (S/N 520-713) Fig 4-3r03



## Motor Mounts (S/N 520-713) Fig 4-3r03

REF. NO.	*	PART NO.	DESCRIPTION	QTY.	REMARKS
		Revision Date	October, 2006		Add Serial Number
1	*	296282330	MOUNT-RIGHT ENGINE-D10X14	1	(S/N 520-)
2	*	296282323	MOUNT - LEFT ENGINE MOUNT - D10X14	1	(S/N 520-)
3		235744001	BOLT-1/2-13X2 3/4 GR8 ZNC PLTD	4	
4		485025	WASHER-1/2 FLAT-HARDENED-YZ	4	
5		236373001	ISOLATOR-CB-1122-2 RUBBER	4	
6		510359621	WASHER-FLATWRT-.50-.53X2.25-.25-YZ	4	
7		423001	NUT-1/2 NC SLTL UTB	4	
8		505703001	BOLT - M10X25 MC HEX GR 8.8 PLT	8	
9		141350001	WASHER-M10 HARDEN PLATED FLAT	8	

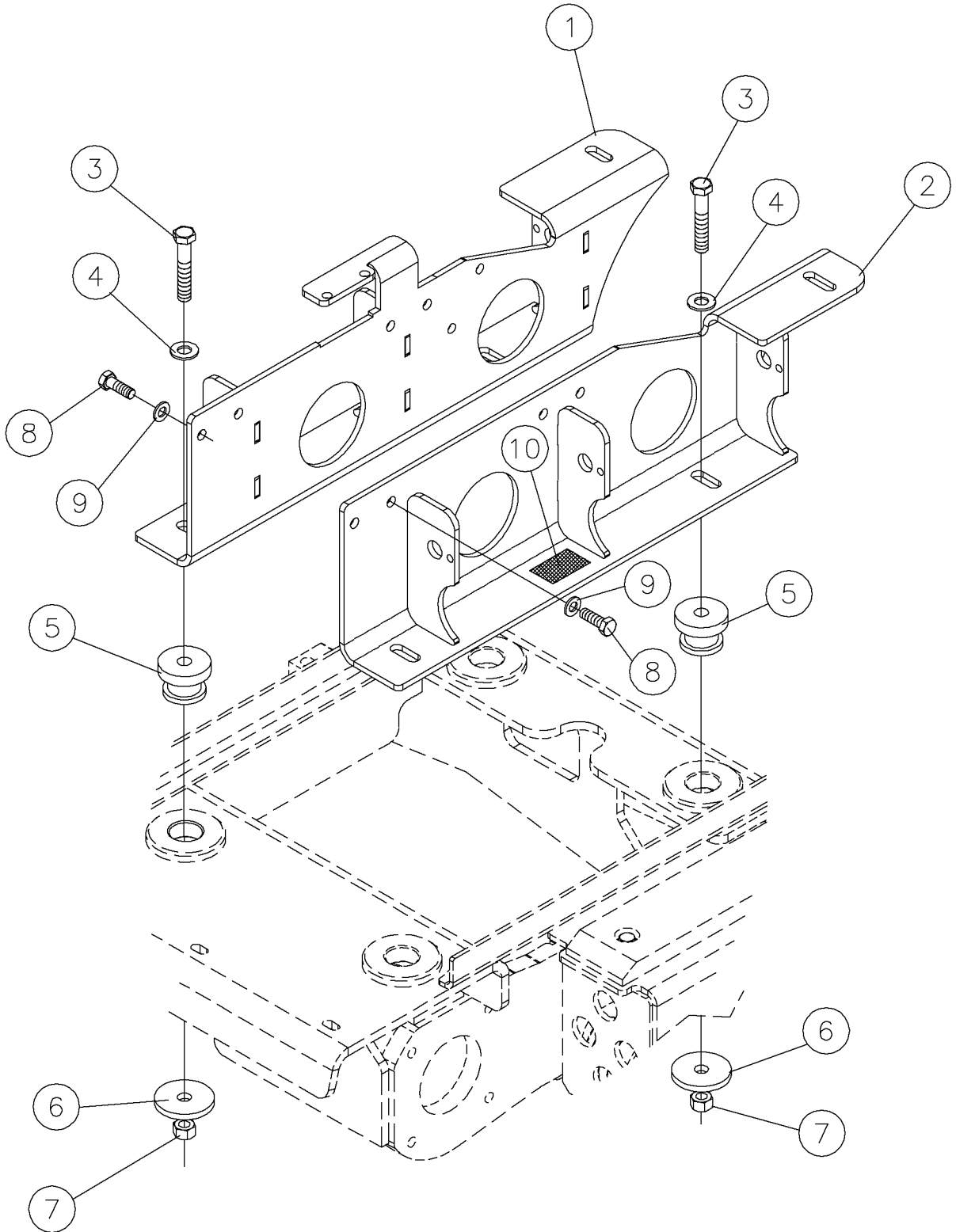
Motor Mounts Fig 4-3r02



## Motor Mounts Fig 4-3r02

REF. NO.	*	PART NO.	DESCRIPTION	QTY.	REMARKS
		Revision Date	March, 2006		Update In Illustration & Parts List.
1		296282330	MOUNT-RIGHT ENGINE-D10X14	1	
2		296282323	MOUNT - LEFT ENGINE MOUNT - D10X14	1	
3		235744001	BOLT-1/2-13X2 3/4 GR8 ZNC PLTD	4	
4		485025	WASHER-1/2 FLAT-HARDENED-YZ	4	
5		236373001	ISOLATOR-CB-1122-2 RUBBER	4	
6		510359621	WASHER-FLATWRT-.50-.53X2.25-.25-YZ	4	
7		423001	NUT-1/2 NC SLTL UTB	4	
8		505703001	BOLT - M10X25 MC HEX GR 8.8 PLT	8	
9		141350001	WASHER-M10 HARDEN PLATED FLAT	8	

Motor Mounts Fig 4-3r01

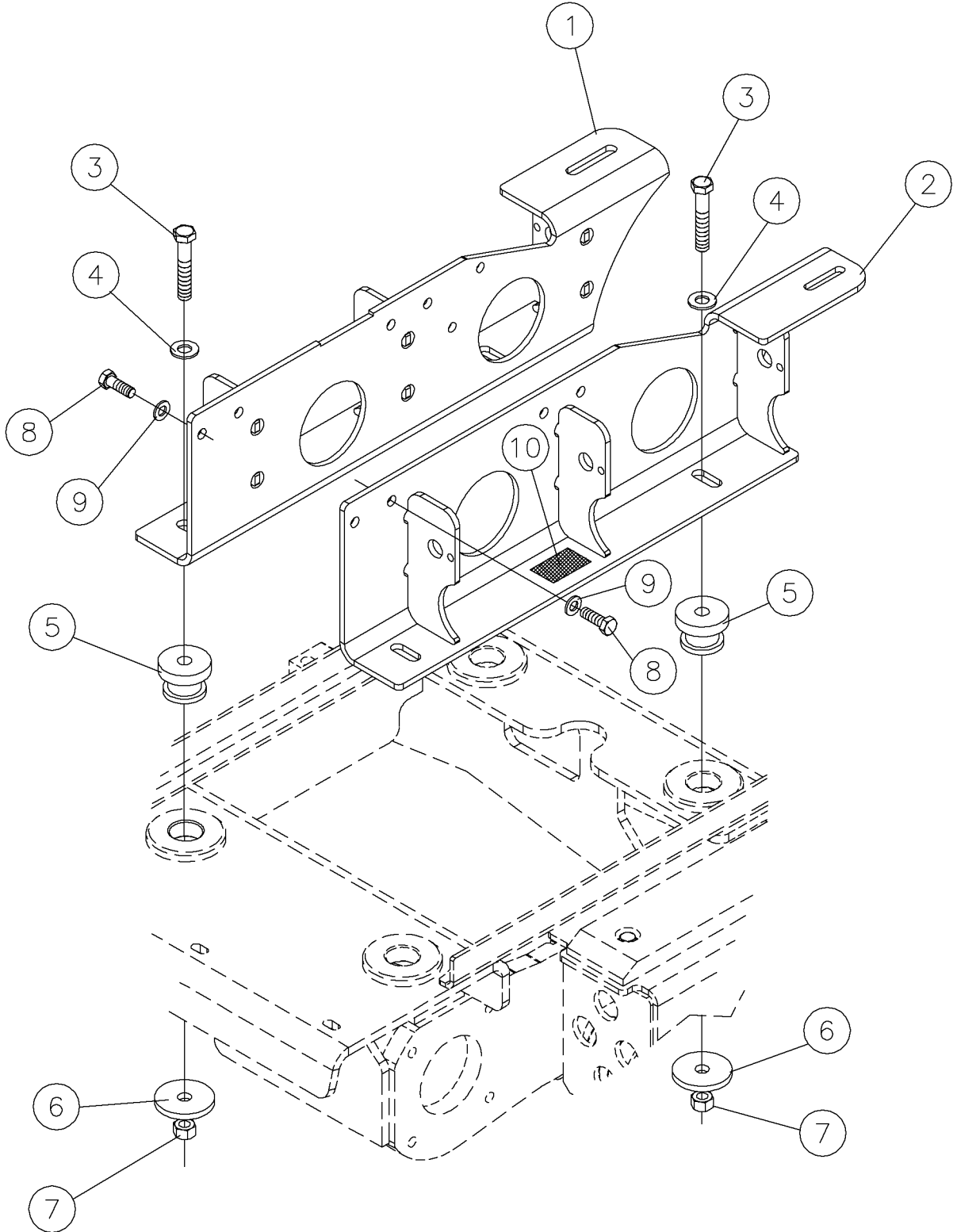




## Motor Mounts Fig 4-3r01

REF. NO.	*	PART NO.	DESCRIPTION	QTY.	REMARKS
		Revision Date	March, 2005		Update In Illustration.
1		296273421	MOUNT - LEFT ENGINE	1	
2		296273422	MOUNT - ENGINE GUSSET	1	
3		235744001	BOLT-1/2-13X2 3/4 GR8 ZNC PLTD	4	
4		485025	WASHER-1/2 FLAT-HARDENED-YZ	4	
5		236373001	ISOLATOR-CB-1122-2 RUBBER	4	
6		510359621	WASHER-FLATWRT-.50-.53X2.25-.25-YZ	4	
7		423001	NUT-1/2 NC SLTL UTB	4	
8		505703001	BOLT - M10X25 MC HEX GR 8.8 PLT	8	
9		141350001	WASHER-M10 HARDEN PLATED FLAT	8	
10		700IA477	DECAL_BATTERY SWITCH (UG)	1	

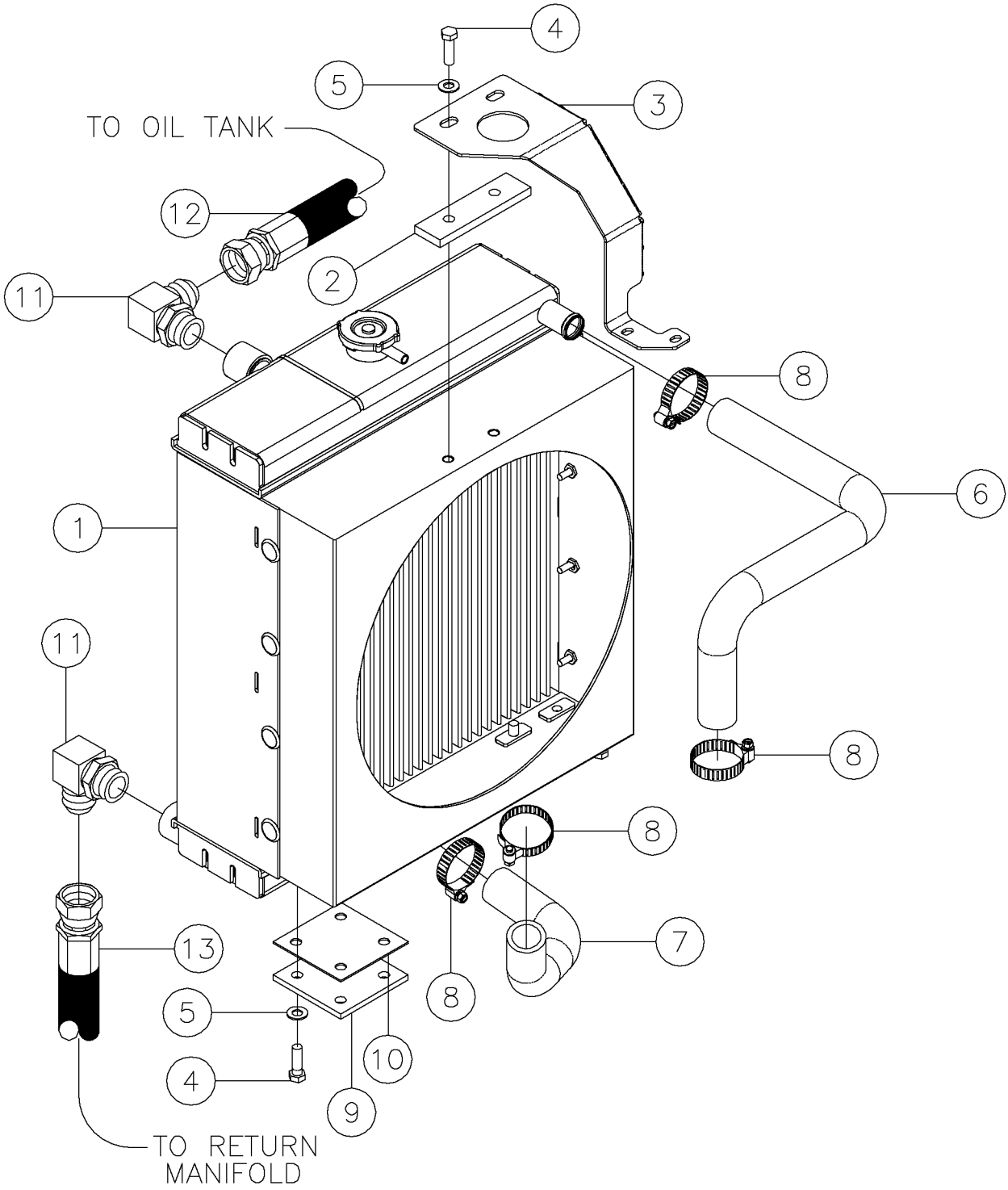
Motor Mounts Fig 4-3



## Motor Mounts Fig 4-3

REF. NO.	*	PART NO.	DESCRIPTION	QTY.	REMARKS
1		296273421	MOUNT - LEFT ENGINE	1	
2		296273422	MOUNT - ENGINE GUSSET	1	
3		235744001	BOLT-1/2-13X2 3/4 GR8 ZNC PLTD	4	
4		485025	WASHER-1/2 FLAT-HARDENED-YZ	4	
5		236373001	ISOLATOR-CB-1122-2 RUBBER	4	
6		510359621	WASHER-FLATWRT-.50-.53X2.25-.25-YZ	4	
7		423001	NUT-1/2 NC SLTL UTB	4	
8		505703001	BOLT - M10X25 MC HEX GR 8.8 PLT	8	
9		141350001	WASHER-M10 HARDEN PLATED FLAT	8	
10		700IA477	DECAL_BATTERY SWITCH (UG)	1	

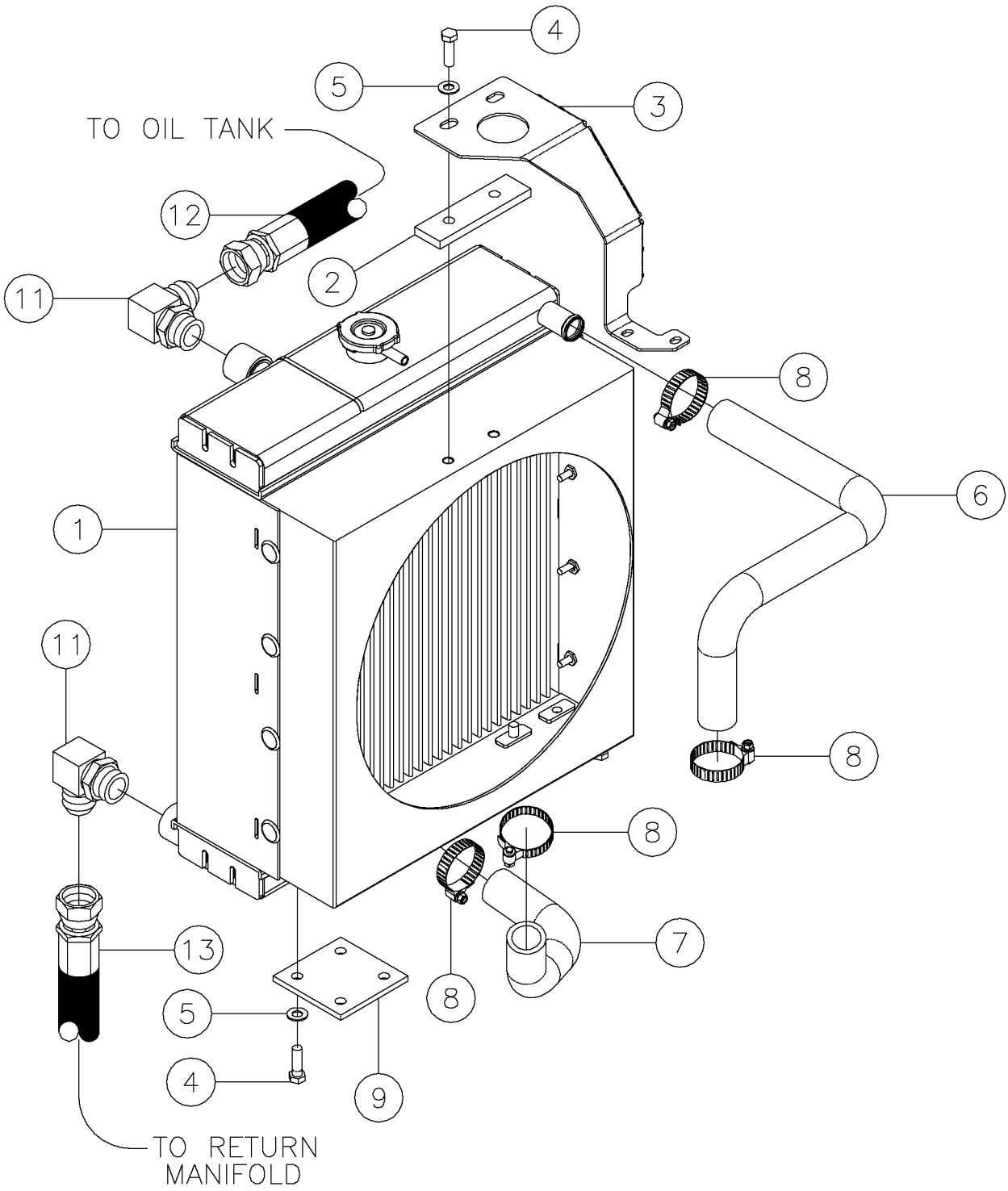
Radiator (S/N 520-) Fig 4-4r03



## Radiator (S/N 520-) Fig 4-4r03

REF. NO.	*	PART NO.	DESCRIPTION	QTY.	REMARKS
		Revision Date	September, 2007		Updated Drawing
1		296283980	RADIATOR- D10X14	1	Breakdown Fig. 4-9
2		296283898	RUBBER-TOP RADIATOR MOUNT D10X14	1	
3		296282341	MOUNT-UPPER RADIATOR	1	(S/N 520-)
4		235726001	BOLT-3/8-16X3/4 GR8 HEX ZNCPLT	2	
5		235713001	WASHER - FLATSTRL - .38 - .41 X .81 - .06-YA-A325	10	
6		296284285	HOSE-UPPER RADIATOR	1	
7		296284286	HOSE-LOWER HOSE	1	
8		1580007	HOSE CLAMP - 1 1/2"	4	
9		296282339	LOWER RADIATOR ISOLATOR MOUNT	2	(S/N 520-)
10		296283944	SHIM-LOWER RADIATOR MOUNT-14 GAUGE	2	Not Shown - Optional
11		59410001	FITTING-90-12MJ-12MORBA	2	
12		53845209	HOSE-3/4X60 12 FS JIC 300PSI	1	
13		296282306	HOSE-3/4X27 12 FSJ ST/90S 3000PSI 100R17 M3K	1	

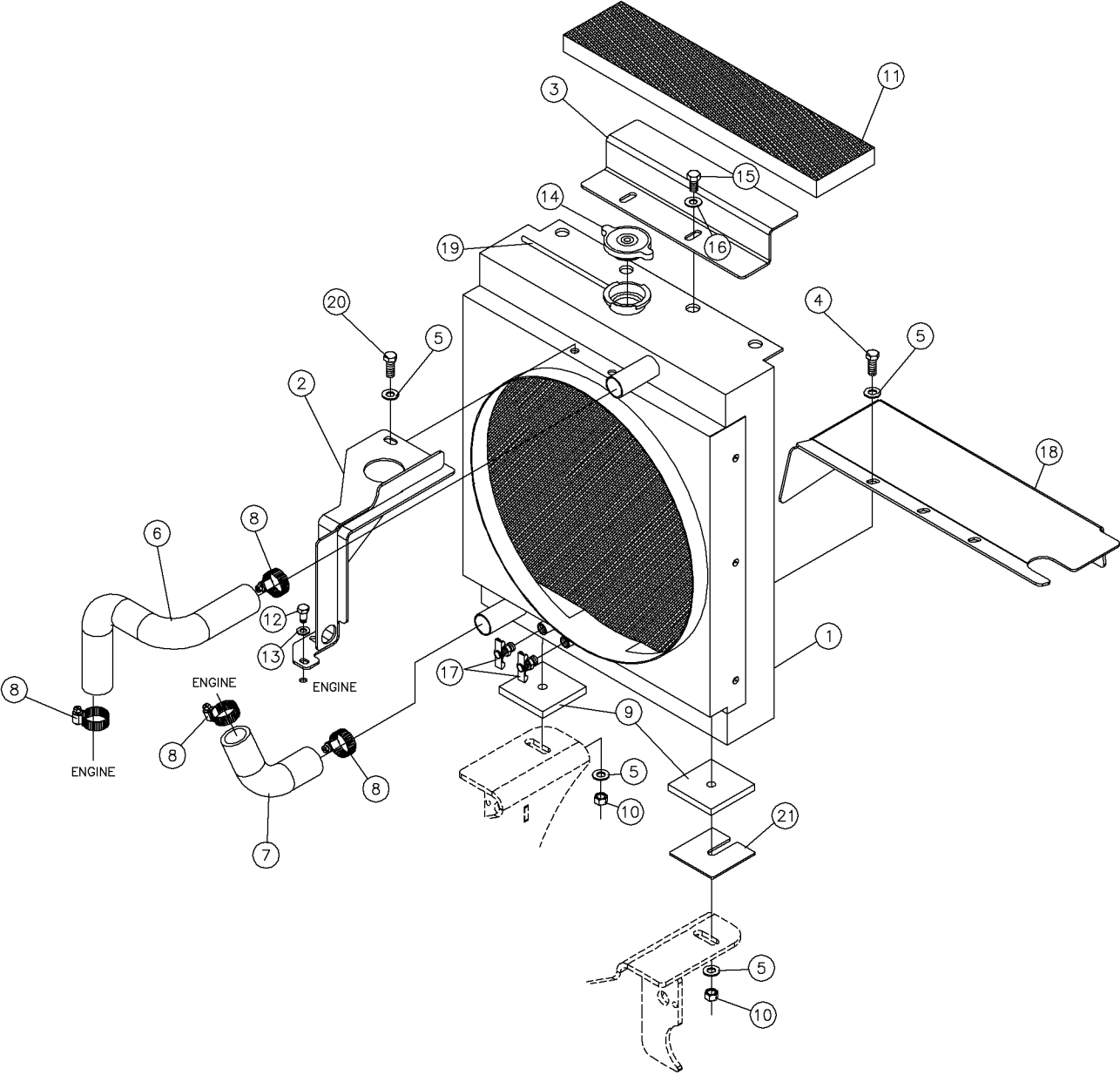
Radiator Fig 4-4r02



## Radiator Fig 4-4r02

REF. NO.	*	PART NO.	DESCRIPTION	QTY.	REMARKS
		Revision Date	March, 2006		Update In Illustration & Parts List.
1		296283980	RADIATOR- D10X14	1	Breakdown Fig. 4-9
2		296283898	RUBBER-TOP RADIATOR MOUNT D10X14	1	
3		296282341	MOUNT-UPPER RADIATOR	1	
4		235726001	BOLT-3/8-16X3/4 GR8 HEX ZNCPLT	2	
5		235713001	WASHER - FLATSTRL - .38 - .41 X .81 - .06-YA-A325	10	
6		296284285	HOSE-UPPER RADIATOR	1	
7		296284286	HOSE-LOWER HOSE	1	
8		1580007	HOSE CLAMP - 1 1/2"	4	
9		296282339	LOWER RADIATOR ISOLATOR MOUNT	2	
10		296283944	SHIM-LOWER RADIATOR MOUNT-14 GAUGE	2	Not Shown - Optional
11		59410001	FITTING-90-12MJ-12MORBA	2	
12		53845209	HOSE-3/4X60 12 FS JIC 300PSI	1	
13		296282306	HOSE-3/4X27 12 FSJ ST/90S 3000PSI 100R17 M3K	1	

Radiator Fig 4-4r01

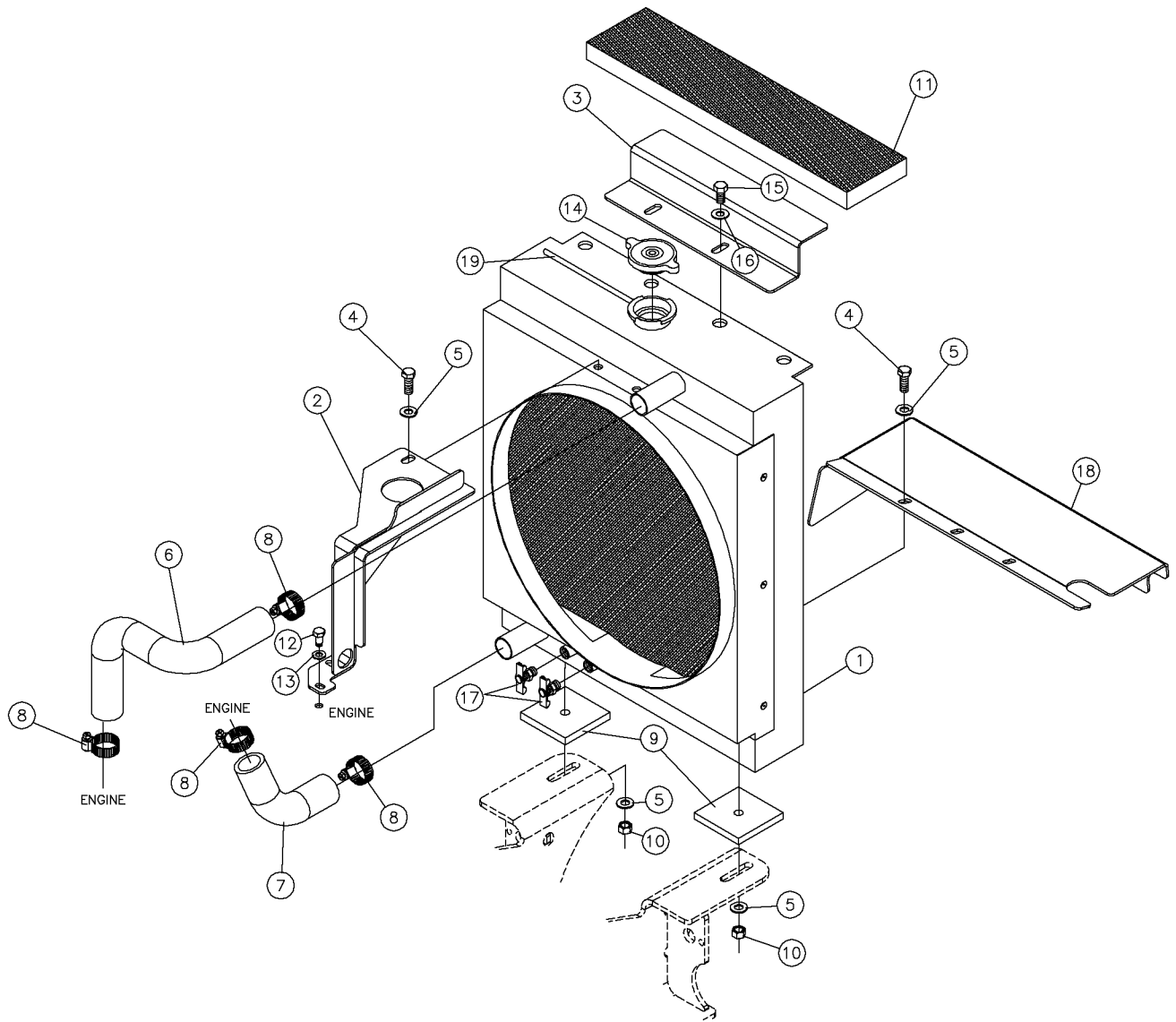




## Radiator Fig 4-4r01

REF. NO.	*	PART NO.	DESCRIPTION	QTY.	REMARKS
		Revision Date	March, 2005		Update In Illustration & Parts List.
1		296273431	COOLING PACKAGE - RADIATOR	1	
2		296273436	BRACKET - TOP RADIATOR	2	
3		296277621	PLATE - UPPER HEAT DEFLECTOR	1	
4		235727001	BOLT-3/8-16X1 GR8 HEX ZINC PLT	3	
5		235713001	WASHER - FLATSTRL - .38 - .41 X .81 - .06-YA-A325	7	
6		296273432	HOSE - UPPER RADIATOR	6	
7		296273430	HOSE - LOWER RADITOR	1	
8		1580005	HOSE CLAMP - 1"	4	
9		234690001	RUBBER-RADIATOR MOUNT	2	
10		250508001	NUT - 3/8-NC Gr8 TOP LOCK Y/ZINC	2	
11		296277622	FOAM - HEAT DEFLECTION	1	
12		506032016	SCREW-HCS,M8-1.25X16,8.8,YZ,D933,FT	2	
13		506046008	WASHER-FLAT,M8,YZ,D125A	2	
14		227243003	CAP-RADIATOR	1	
15		235742001	BOLT-5/16-18X3/4 GR8 ZINC PLTD	2	
16		235714001	WASHER - FLATSTRL - .31 - .34 X .69 - .06-YZ-A325	2	
17		251501003	PETCOCK	2	
18		296277678	PLATE - AIR DEFLECTOR	1	
19		619001	HOSE-1/4 I.D.GASOLINE&DIESEL	A/R	Specify Length
20		235726001	BOLT-3/8-16X3/4 GR8 HEX ZNCPLT	2	
21		296280260	SHIM-RADIATOR MOUNT-11 GAUGE	2	

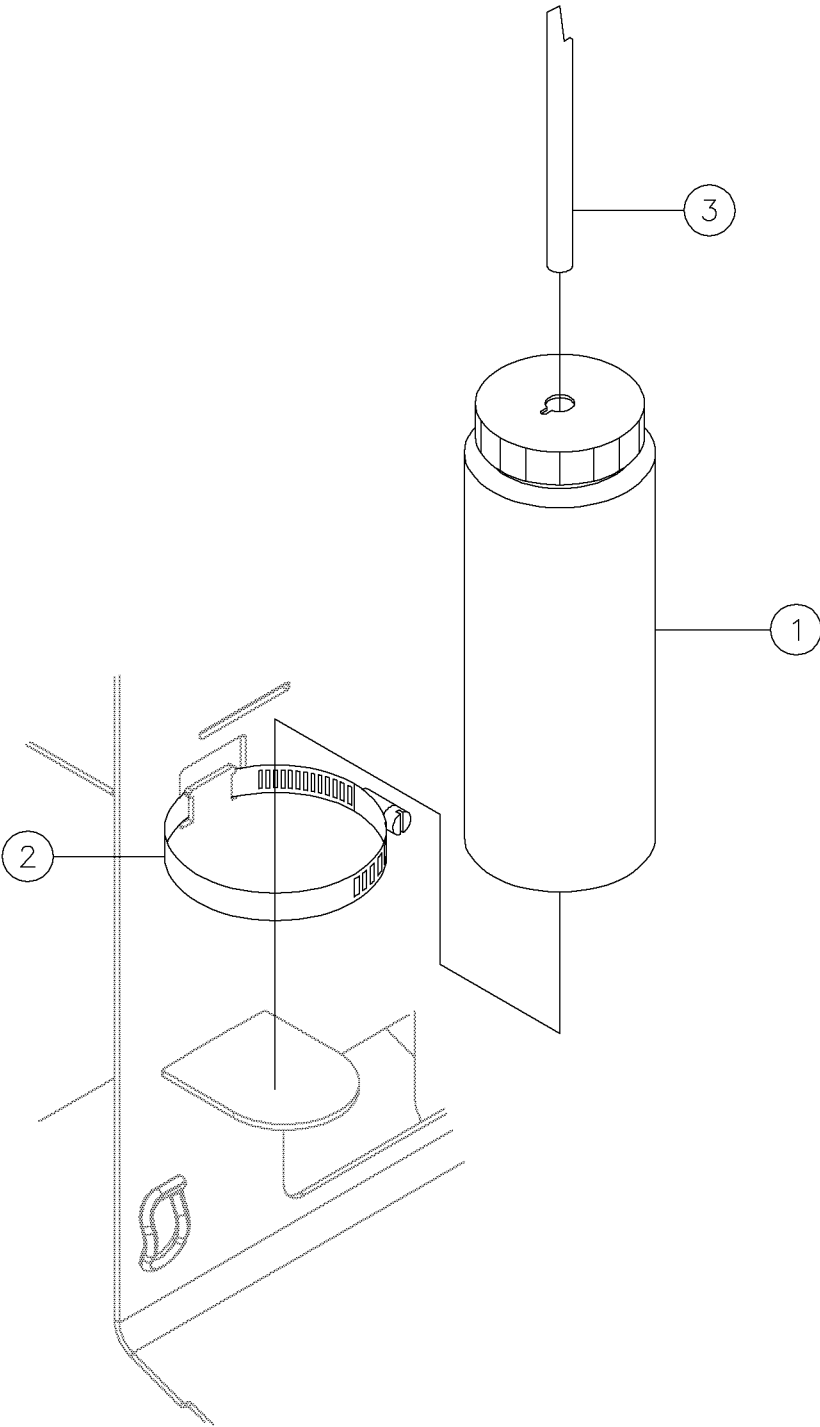
Radiator Fig 4-4



## Radiator Fig 4-4

REF. NO.	*	PART NO.	DESCRIPTION	QTY.	REMARKS
1		296273431	COOLING PACKAGE - RADIATOR	1	
2		234690001	RUBBER-RADIATOR MOUNT	2	
3		296277621	PLATE - UPPER HEAT DEFLECTOR	1	
4		235727001	BOLT-3/8-16X1 GR8 HEX ZINC PLT	5	
5		235713001	WASHER - FLATSTRL - .38 - .41 X .81 - .06-YA-A325	7	
6		296273432	HOSE - UPPER RADIATOR	6	
7		296273430	HOSE - LOWER RADITOR	1	
8		1580005	HOSE CLAMP - 1"	4	
9		234690001	RUBBER-RADIATOR MOUNT	2	
10		250508001	NUT - 3/8-NC Gr8 TOP LOCK Y/ZINC	2	
11		296277622	FOAM - HEAT DEFLECTION	1	
12		506032016	SCREW-HCS,M8-1.25X16,8.8,YZ,D933,FT	2	
13		506046008	WASHER-FLAT,M8,YZ,D125A	2	
14		227243003	CAP-RADIATOR	1	
15		235742001	BOLT-5/16-18X3/4 GR8 ZINC PLTD	2	
16		235714001	WASHER - FLATSTRL - .31 - .34 X .69 - .06-YZ-A325	2	
17		251501003	PETCOCK	2	
18		296277678	PLATE - AIR DEFLECTOR	1	
19		619001	HOSE-1/4 I.D.GASOLINE&DIESEL	A/R	Specify Length

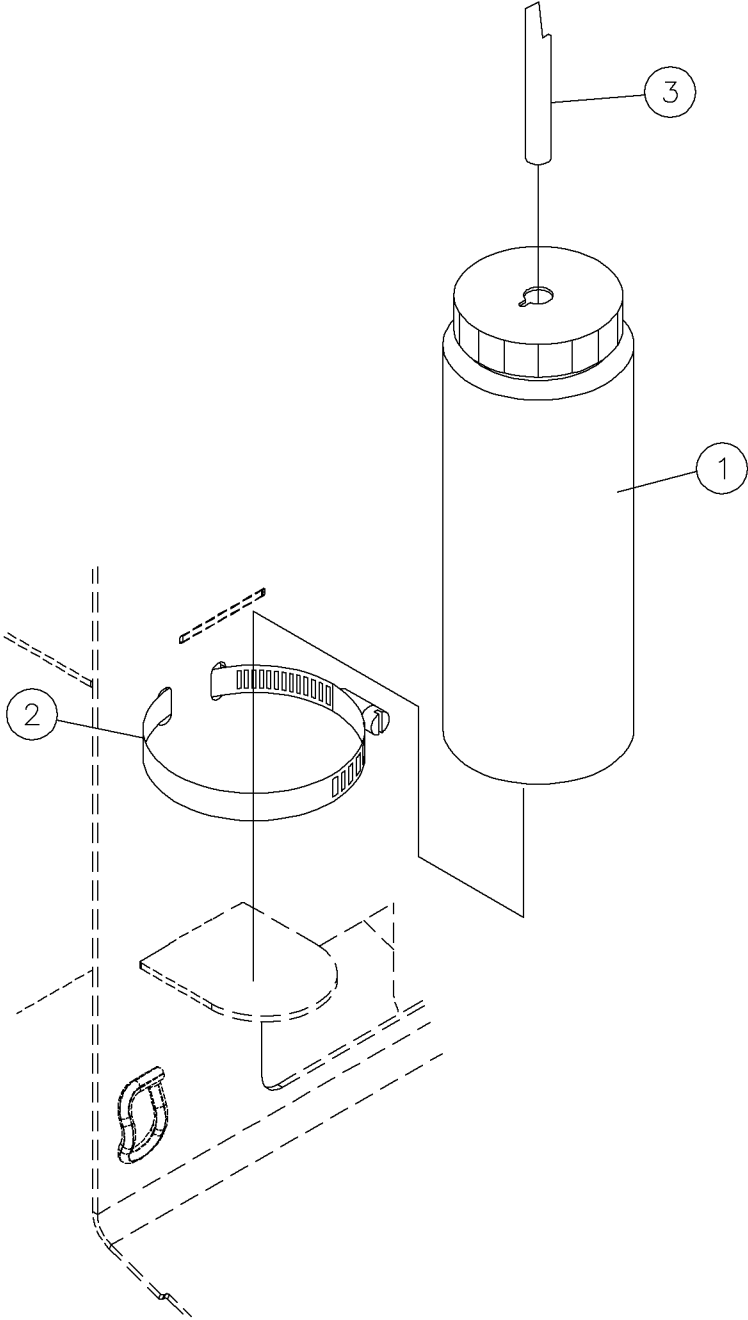
Coolant Overflow Bottle Fig 4-5r01



## Coolant Overflow Bottle Fig 4-5r01

REF. NO.	*	PART NO.	DESCRIPTION	QTY.	REMARKS
		Revision Date	March, 2006		Update In Illustration.
1		63949001	BOTTLE-UV CNTRL THCK WALL CLNT	1	
		63948001	CAP-70MM G.	1	
2		1580015	HOSE CLAMP - 3"	1	
3		619001	HOSE-1/4 I.D.GASOLINE&DIESEL	A/R	P/N Qty. Of 1 = 1 Foot

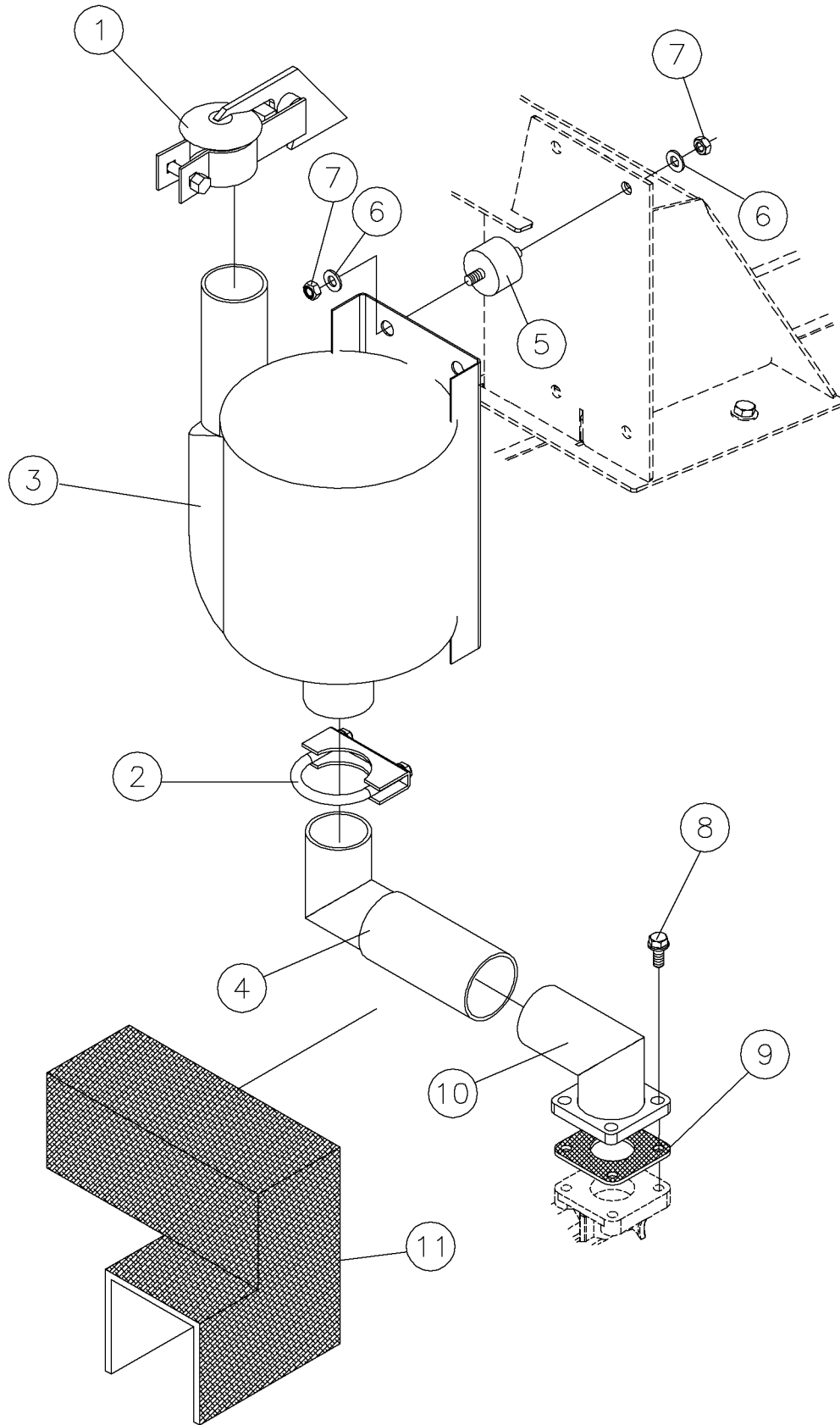
Coolant Overflow Bottle Fig 4-5



## Coolant Overflow Bottle Fig 4-5

REF. NO.	*	PART NO.	DESCRIPTION	QTY.	REMARKS
1		63949001	BOTTLE-UV CNTRL THCK WALL CLNT	1	
		63948001	CAP-70MM G.	1	
2		1580015	HOSE CLAMP - 3"	1	
3		619001	HOSE-1/4 I.D.GASOLINE&DIESEL	A/R	P/N Qty. Of 1 = 1 Foot

Muffler (S/N 668-) Fig 4-6r02

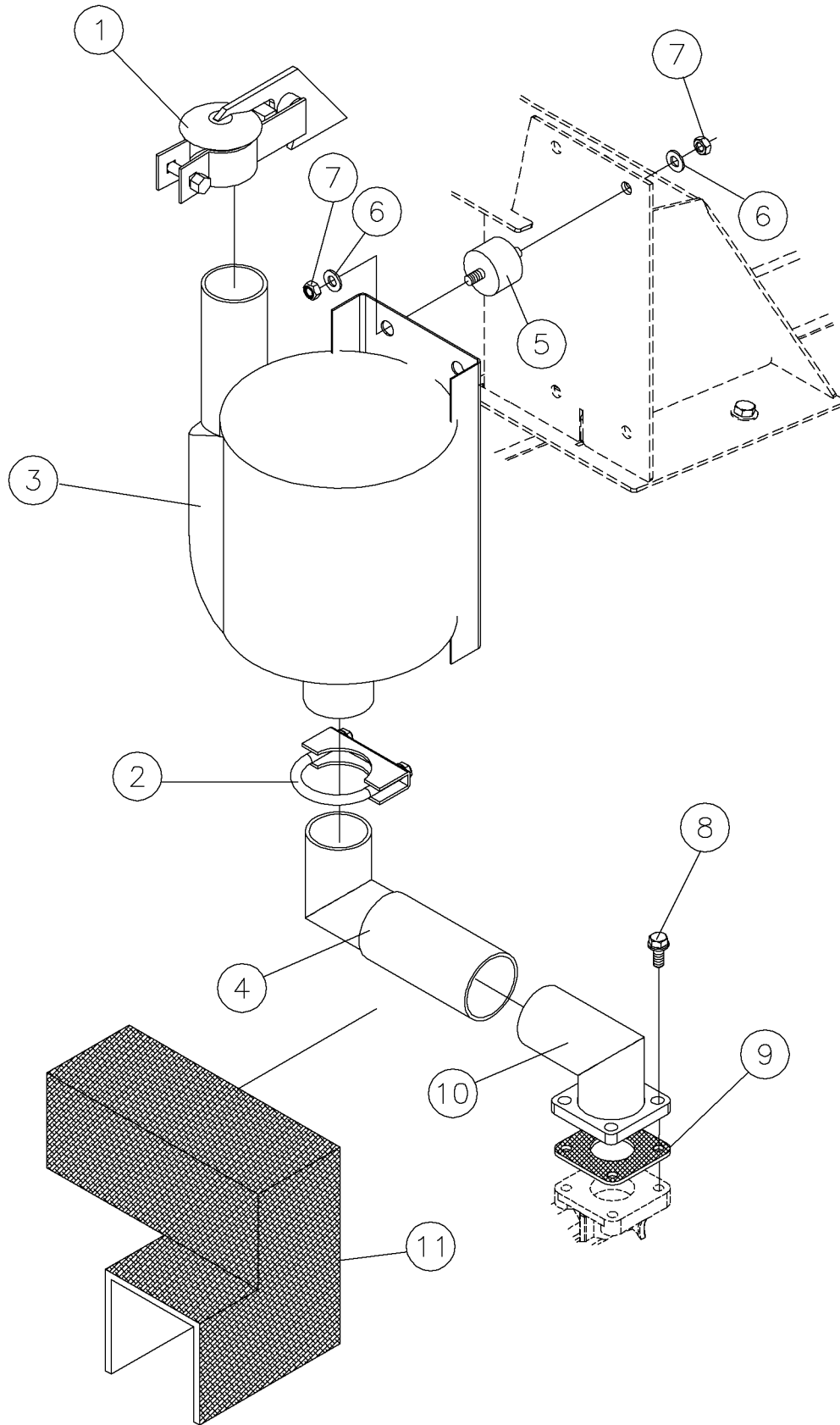




## Muffler (S/N 668-) Fig 4-6r02

REF. NO.	*	PART NO.	DESCRIPTION	QTY.	REMARKS
		Revision Date	April, 2007		Change Isolator
1		289050001	CAP - RAIN 2"	1	
2		2609023	CLAMP-2 1/8 " MUFFLER	1	
3		296273313	MUFFLER - EXHAUST	1	
4		296277291	WELDMENT - MITERED EXHAUST TUBE	1	
5	*	296275235	MOUNT - ISOLATOR 1.5 OD X 1.0 H	4	(S/N 668-)
6		235714001	WASHER - FLATSTRL - .31 - .34 X .69 - .06-YZ-A325	8	
7		510314501	NUT-TLHEX-.31-18-A-YZ	8	
8		508475020	SCREW-HCS,M8-1,25X20,10.9,YZ,ISO4017,FT.	4	
9		218420025	GASKET	1	
10		296277292	WELDMENT - TUBE W/FLANGE	1	
11		296277320	BLANKET - TURBO PIPE	1	

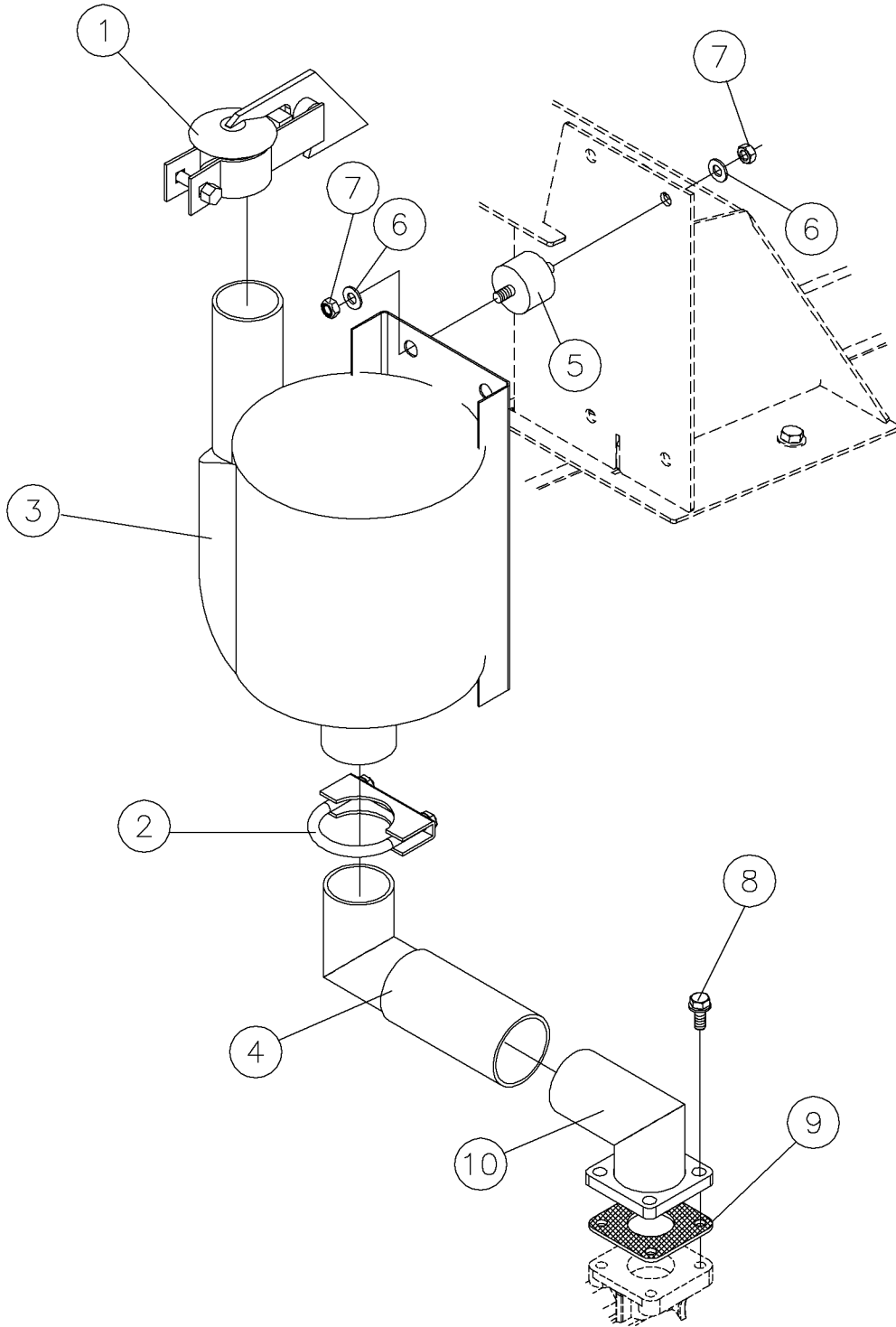
Muffler Fig 4-6r01



## Muffler Fig 4-6r01

REF. NO.	*	PART NO.	DESCRIPTION	QTY.	REMARKS
		Revision Date	March, 2005		Update In Illustration & Parts List.
1		289050001	CAP - RAIN 2"	1	
2		2609023	CLAMP-2 1/8 " MUFFLER	1	
3		296273313	MUFFLER - EXHAUST	1	
4		296277291	WELDMENT - MITERED EXHAUST TUBE	1	
5		289068001	MOUNT - CYLINDRICAL ISOLATOR 1.5 OD X 1.0 H	4	
6		235714001	WASHER - FLATSTRL - .31 - .34 X .69 - .06-YZ-A325	8	
7		510314501	NUT-TLHEX-.31-18-A-YZ	8	
8		508475020	SCREW-HCS,M8- 1,25X20,10.9,YZ,ISO4017,FT.	4	
9		218420025	GASKET	1	
10		296277292	WELDMENT - TUBE W/FLANGE	1	
11		296277320	BLANKET - TURBO PIPE	1	

Muffler Fig 4-6



## Muffler Fig 4-6

REF. NO.	*	PART NO.	DESCRIPTION	QTY.	REMARKS
1		289050001	CAP - RAIN 2"	1	
2		2609023	CLAMP-2 1/8 " MUFFLER	1	
3		296273313	MUFFLER - EXHAUST	1	
4		296277291	WELDMENT - MITERED EXHAUST TUBE	1	
5		289068001	MOUNT - CYLINDRICAL ISOLATOR 1.5 OD X 1.0 H	4	
6		235714001	WASHER - FLATSTRL - .31 - .34 X .69 - .06-YZ-A325	8	
7		510314501	NUT-TLHEX-.31-18-A-YZ	8	
8		508475020	SCREW-HCS,M8- 1,25X20,10.9,YZ,ISO4017,FT.	4	
9		218420025	GASKET	1	
10		296277292	WELDMENT - TUBE W/FLANGE	1	

Air Cleaner (S/N 588-) Fig 4-7r05

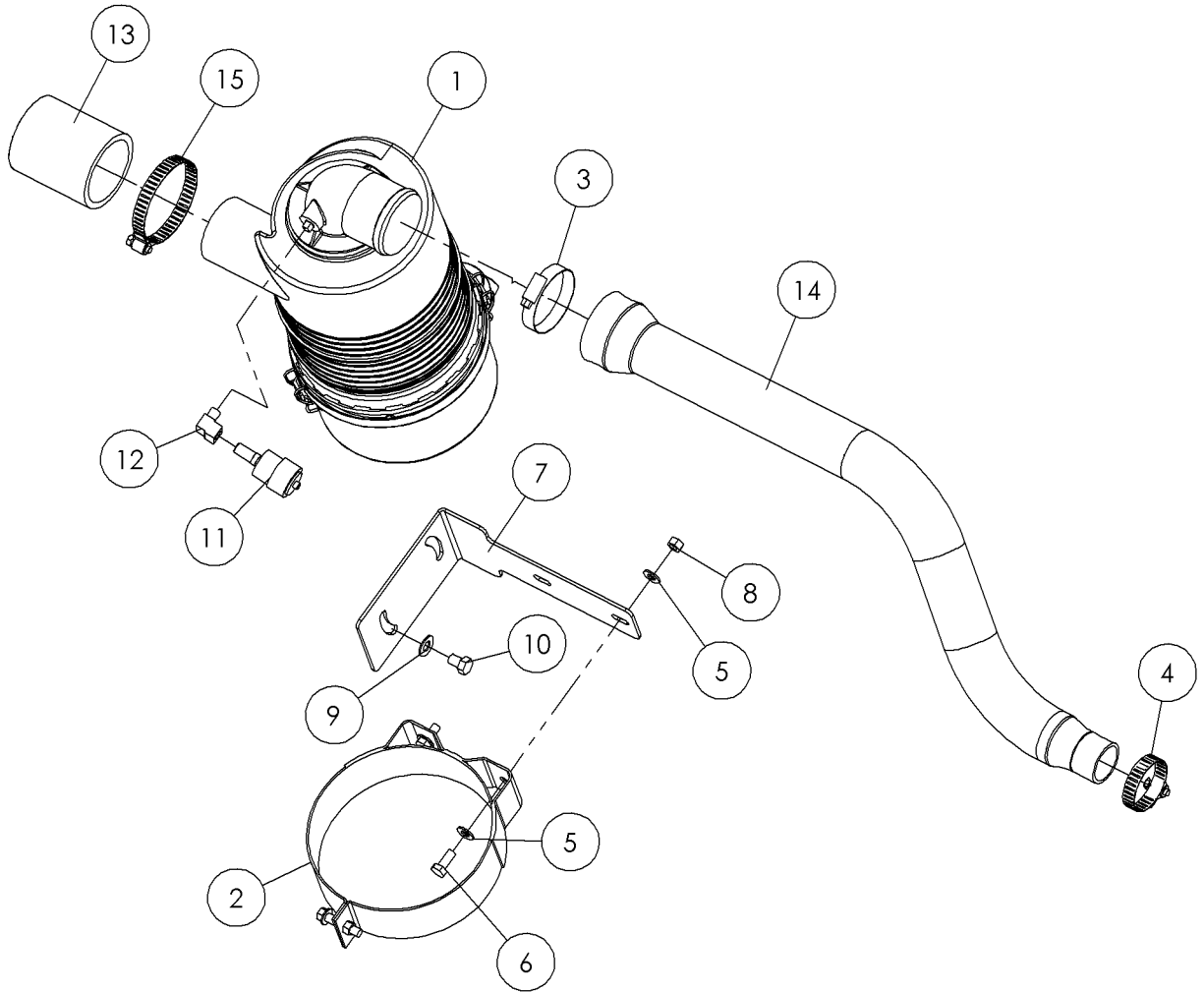
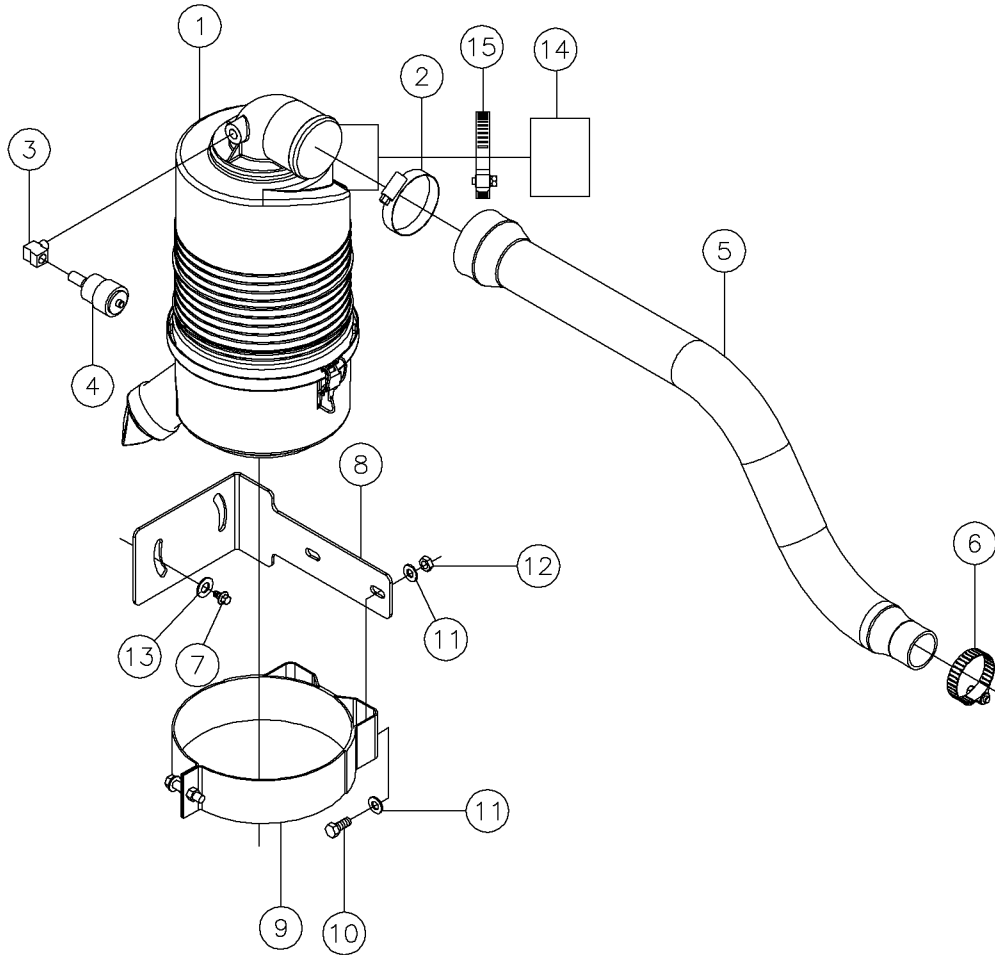


Illustration No. 296273364

## Air Cleaner (S/N 588-) Fig 4-7r05

REF. NO.	*	PART NO.	DESCRIPTION	QTY.	REMARKS
		Revision Date	November, 2006		Changed Air Cleaner Configuration
1	*	143036001	AIR CLEANER - 6", 90 DEG OUTLET	1	Breakdown Fig. 12-12
2		143055001	BAND , MOUNTING - AIR CLEANER	1	
3		1580013	HOSE CLAMP - 2 1/2"	1	
4		1580007	HOSE CLAMP - 1 1/2"	1	
5		235714001	WASHER - FLATSTRL - .31 - .34 X .69 - .06-YZ-A325	4	
6		235742001	BOLT-5/16-18X3/4 GR8 ZYC	2	
7		296277634	PLATE - AIR CLEANER MNT,	1	
8		235741001	NUT - HEX - .31 - 18 - GR8 -YZ	2	
9		510337635	WASHER-FLATSAE-.38-.41X.81-16G-YZ	2	
10		240310001	SCREW - HCS - .38 - 16 X .50 - GR8 - YZ	2	
11		2165001	INDICATOR - RAX00-2352	1	
12		4017001	FITTING-3400 X 2 WTHR-HD	1	
13		296282312	TUBE - INTAKE	1	
14		296275151	HOSE-AIR INTAKE	1	(S/N 472-)
15		1580015	HOSE CLAMP - 3"	1	

Air Cleaner Fig 4-7r04

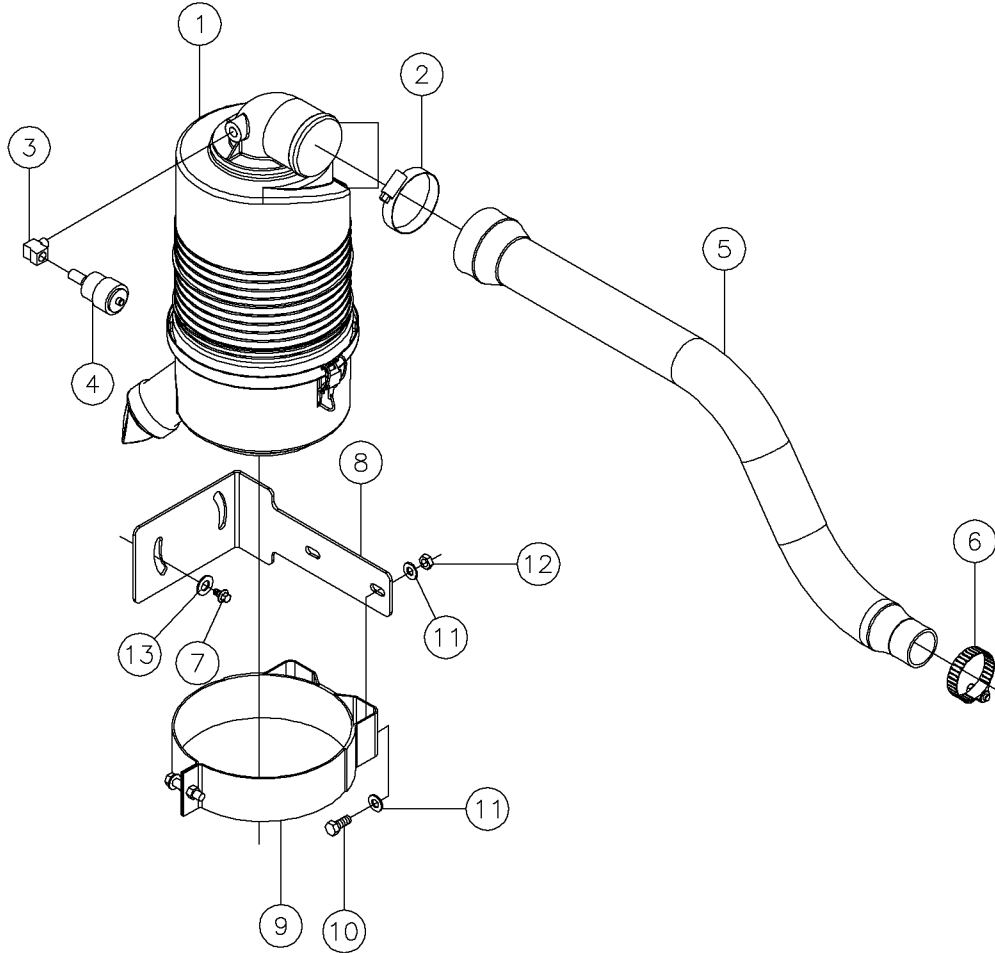




## Air Cleaner Fig 4-7r04

REF. NO.	*	PART NO.	DESCRIPTION	QTY.	REMARKS
		Revision Date	May, 2006		Update In Illustration & Parts List.
1		143036001	AIR CLEANER - 6", 90 DEG OUTLET	1	Breakdown Fig. 12-12
2		1580013	HOSE CLAMP - 2 1/2"	1	
3		4017001	FITTING-3400 X 2 WTHR-HD	1	
4		2165001	INDICATOR - RAX00-2352	1	
5		296275151	HOSE-AIR INTAKE	1	(S/N 472 AND UP)
6		1580007	HOSE CLAMP - 1 1/2"	1	
7		240310001	SCREW - HCS - .38 - 16 X .50 - GR8 - YZ	2	
8		296277634	PLATE - AIR CLEANER MNT,	1	
9		143055001	BAND , MOUNTING - AIR CLEANER	1	
10		235742001	BOLT-5/16-18X3/4 GR8 ZINC PLTD	2	
11		235714001	WASHER - FLATSTRL - .31 - .34 X .69 - .06-YZ-A325	4	
12		235741001	NUT - HEX - .31 - 18 - GR8 -YZ	2	
13		510337635	WASHER-FLATSAE-.38-.41X.81-16G-YZ	2	
14		296282312	TUBE - INTAKE	1	
15		1580015	HOSE CLAMP - 3"	1	

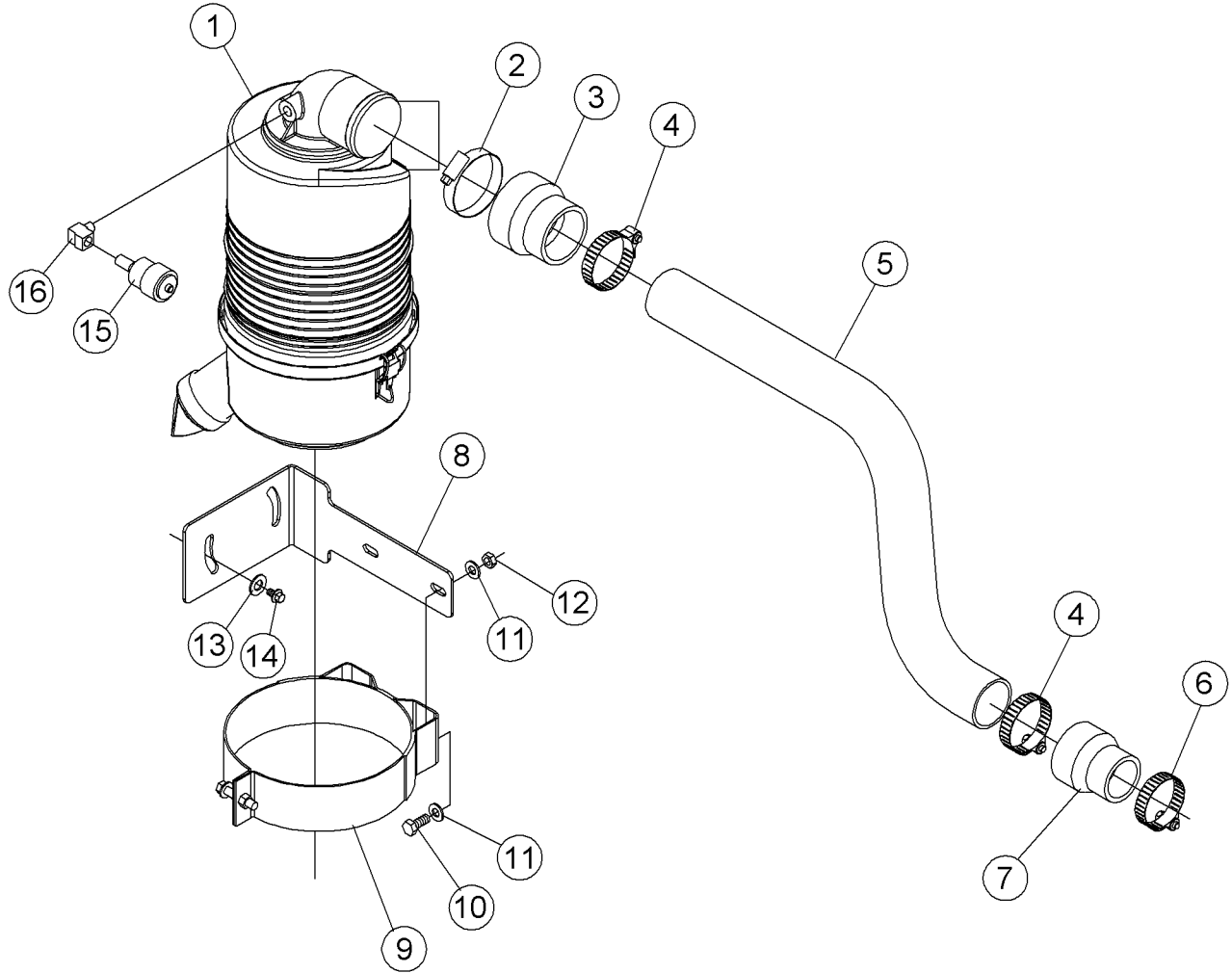
Air Cleaner Fig 4-7r03



## Air Cleaner Fig 4-7r03

REF. NO.	*	PART NO.	DESCRIPTION	QTY.	REMARKS
		Revision Date	March, 2006		Update In Illustration & Parts List.
1		143036001	AIR CLEANER - 6", 90 DEG OUTLET	1	Breakdown Fig. 12-12
2		1580013	HOSE CLAMP - 2 1/2"	1	
3		4017001	FITTING-3400 X 2 WTHR-HD	1	
4		2165001	INDICATOR - RAX00-2352	1	
5		296275151	HOSE-AIR INTAKE	1	(S/N 472 AND UP)
6		1580007	HOSE CLAMP - 1 1/2"	1	
7		240310001	SCREW - HCS - .38 - 16 X .50 - GR8 - YZ	2	
8		296277634	PLATE - AIR CLEANER MNT,	1	
9		143055001	BAND , MOUNTING - AIR CLEANER	1	
10		235742001	BOLT-5/16-18X3/4 GR8 ZINC PLTD	2	
11		235714001	WASHER - FLATSTRL - .31 - .34 X .69 - .06-YZ-A325	4	
12		235741001	NUT - HEX - .31 - 18 - GR8 -YZ	2	
13		510337635	WASHER-FLATSAE-.38-.41X.81-16G-YZ	2	

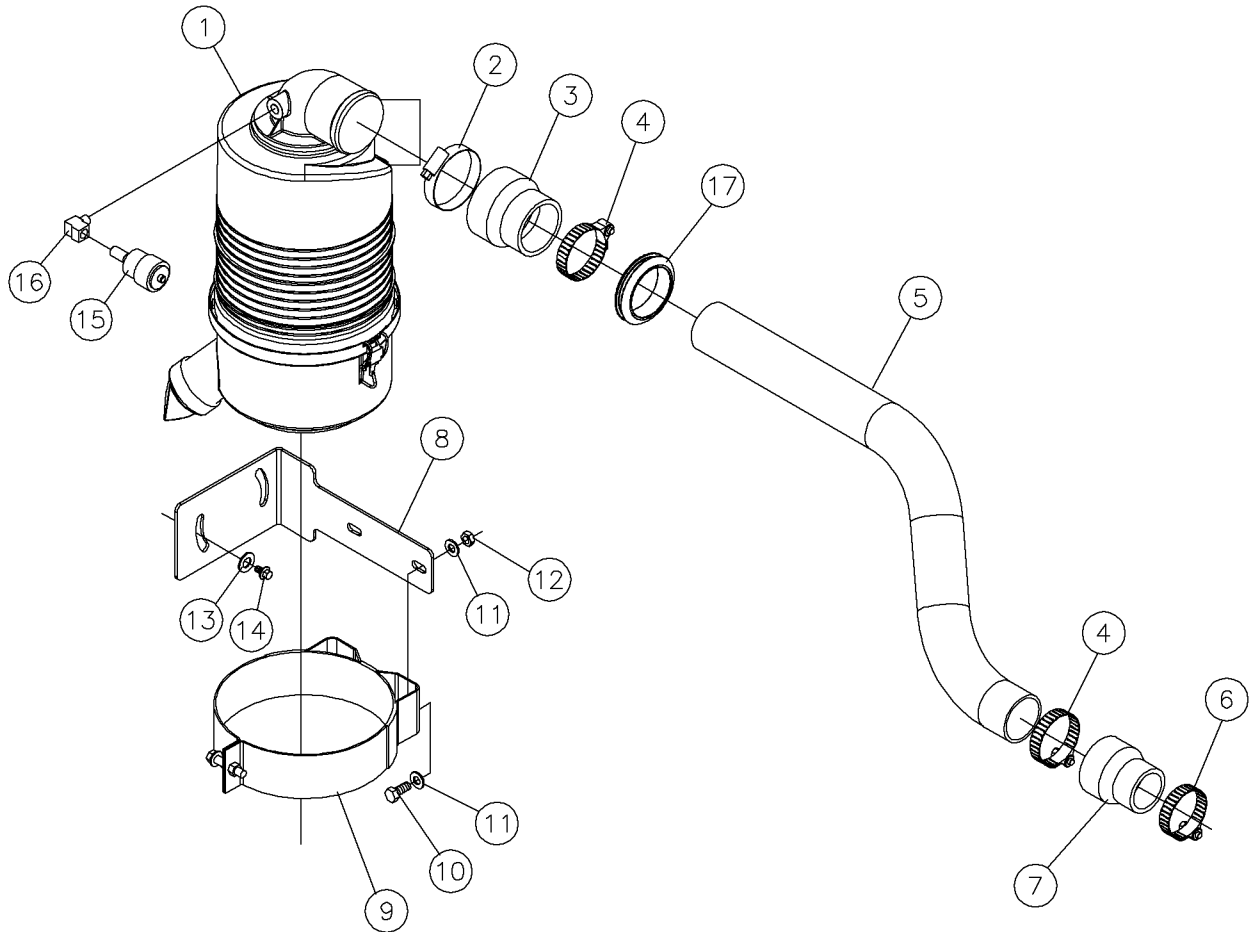
Air Cleaner Fig 4-7r02



## Air Cleaner Fig 4-7r02

REF. NO.	*	PART NO.	DESCRIPTION	QTY.	REMARKS
		Revision Date	October, 2005		Update In Illus. & Parts List.
1		143036001	AIR CLEANER - 6", 90 DEG OUTLET	1	Breakdown Fig. 12-12
2		1580013	HOSE CLAMP - 2 1/2"	1	
3		296273438	REDUCER - AIR HOSE	1	
4		1580011	HOSE CLAMP - 2"	2	
5		296273439	TUBE - 2" AIR	1	
6		1580007	HOSE CLAMP - 1 1/2"	1	
7		296273437	REDUCER - AIR HOSE	1	
8		296277634	PLATE - AIR CLEANER MNT,	1	
9		143055001	BAND , MOUNTING - AIR CLEANER	1	
10		235742001	BOLT-5/16-18X3/4 GR8 ZINC PLTD	2	
11		235714001	WASHER - FLATSTRL - .31 - .34 X .69 - .06-YZ-A325	4	
12		235741001	NUT - HEX - .31 - 18 - GR8 -YZ	2	
13		510337635	WASHER-FLATSAE-.38-.41X.81-16G-YZ	2	
14		240310001	SCREW - HCS - .38 - 16 X .50 - GR8 - YZ	2	
15		2165001	INDICATOR - RAX00-2352	1	
16		4017001	FITTING-3400 X 2 WTHR-HD	1	S/N 140 & Up

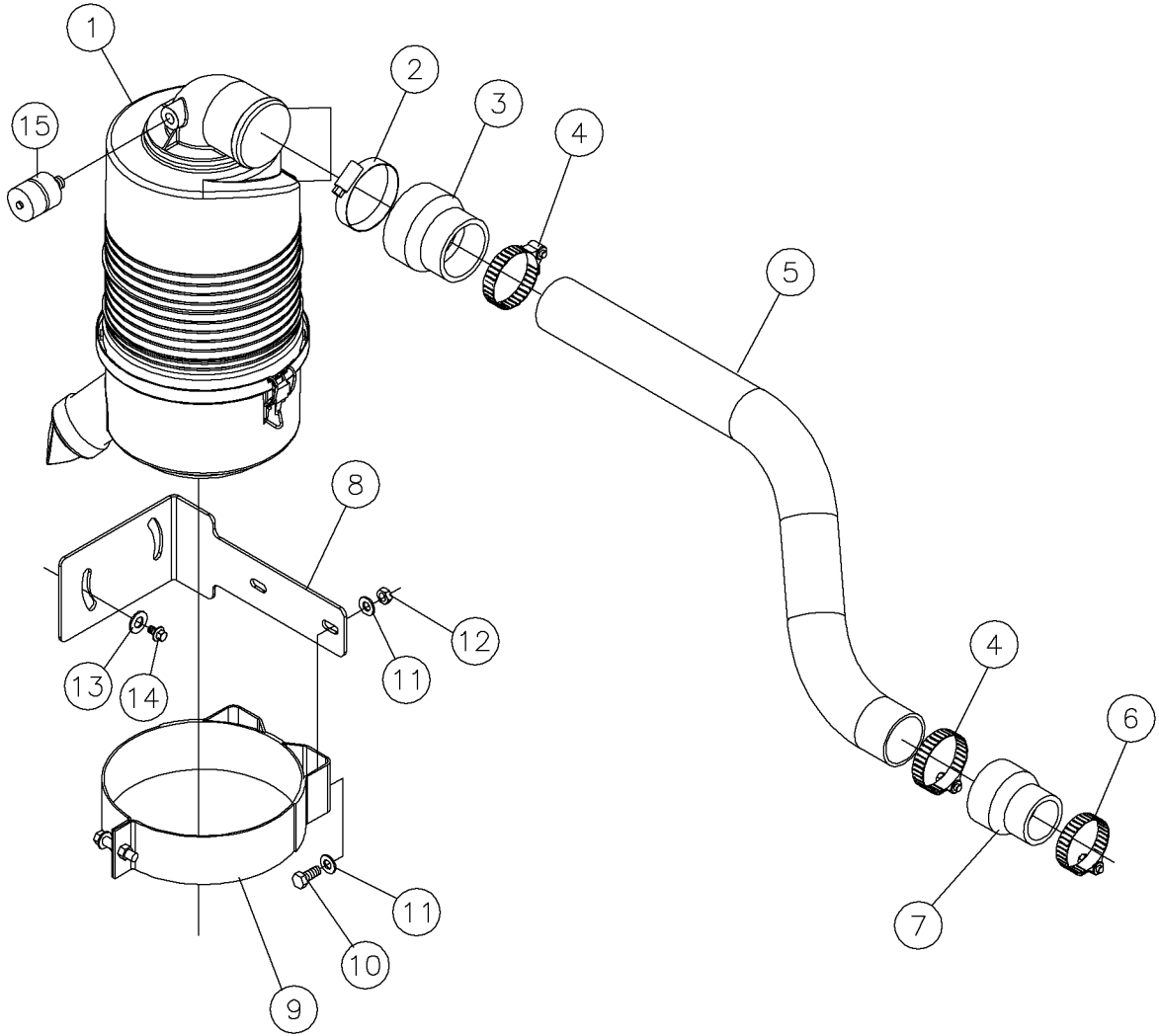
Air Cleaner Fig 4-7r01



## Air Cleaner Fig 4-7r01

REF. NO.	*	PART NO.	DESCRIPTION	QTY.	REMARKS
		Revision Date	March, 2005		Update In Illustration & Parts List.
1		143036001	AIR CLEANER - 6", 90 DEG OUTLET	1	Breakdown Fig. 12-12
2		1580013	HOSE CLAMP - 2 1/2"	1	
3		296273438	REDUCER - AIR HOSE	1	
4		1580011	HOSE CLAMP - 2"	2	
5		296273439	TUBE - 2" AIR	1	
6		1580007	HOSE CLAMP - 1 1/2"	1	
7		296273437	REDUCER - AIR HOSE	1	
8		296277634	PLATE - AIR CLEANER MNT,	1	
9		143055001	BAND , MOUNTING - AIR CLEANER	1	
10		235742001	BOLT-5/16-18X3/4 GR8 ZINC PLTD	2	
11		235714001	WASHER - FLATSTRL - .31 - .34 X .69 - .06-YZ-A325	4	
12		235741001	NUT - HEX - .31 - 18 - GR8 -YZ	2	
13		510337635	WASHER-FLATSAE-.38-.41X.81-16G-YZ	2	
14		240310001	SCREW - HCS - .38 - 16 X .50 - GR8 - YZ	2	
15		2165001	INDICATOR - RAX00-2352	1	
16		4017001	FITTING-3400 X 2 WTHR-HD	1	S/N 140 & Up
17		1865001	GROMMET - 1/4 X 2 1/2 (YELLOW)	1	S/N 140 & Up

Air Cleaner Fig 4-7

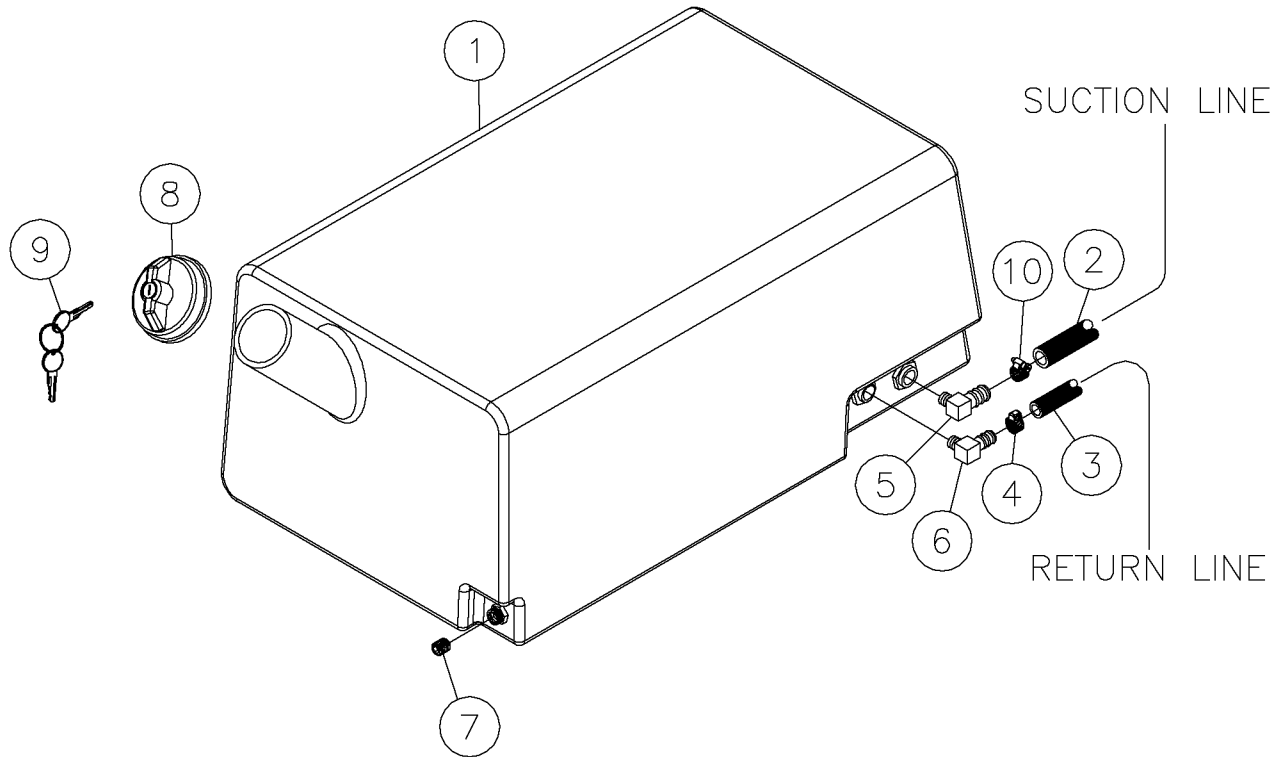




## Air Cleaner Fig 4-7

REF. NO.	*	PART NO.	DESCRIPTION	QTY.	REMARKS
1		143036001	AIR CLEANER - 6", 90 DEG OUTLET	1	Breakdown Fig. 12-12
2		1580013	HOSE CLAMP - 2 1/2"	1	
3		296273438	REDUCER - AIR HOSE	1	
4		1580011	HOSE CLAMP - 2"	2	
5		296273439	TUBE - 2" AIR	1	
6		1580007	HOSE CLAMP - 1 1/2"	1	
7		296273437	REDUCER - AIR HOSE	1	
8		296277634	PLATE - AIR CLEANER MNT,	1	
9		143055001	BAND , MOUNTING - AIR CLEANER	1	
10		235742001	BOLT-5/16-18X3/4 GR8 ZINC PLTD	2	
11		235714001	WASHER - FLATSTRL - .31 - .34 X .69 - .06-YZ-A325	4	
12		235741001	NUT - HEX - .31 - 18 - GR8 -YZ	2	
13		510337635	WASHER-FLATSAE-.38-.41X.81-16G-YZ	2	
14		240031001	LATCH-FUEL TANK LOCK	2	
15		2165001	INDICATOR - RAX00-2352	1	

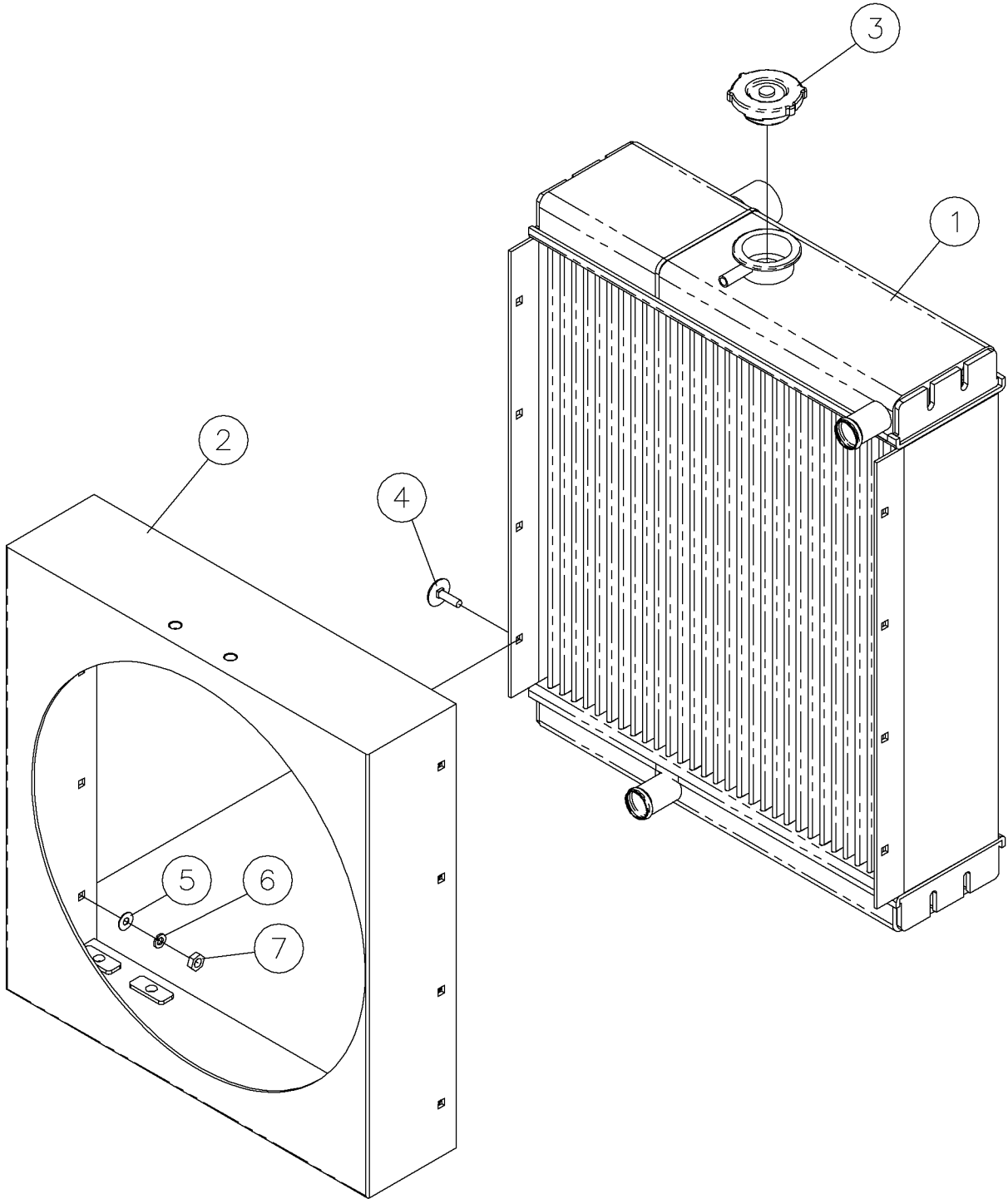
Fuel Tank Fig 4-8



## Fuel Tank Fig 4-8

REF. NO.	*	PART NO.	DESCRIPTION	QTY.	REMARKS
1		225771001	TANK-11 GAL. DIESEL	1	
2		620001	HOSE - 5/16 FUEL LINE	A/R	P/N Qty. Of 1 = 1 Foot
3		619001	HOSE-1/4 I.D.GASOLINE&DIESEL	A/R	P/N Qty. Of 1 = 1 Foot
4		242699001	CLAMP-5/16" ID	1	
5		128329001	FITTING-1/4NPTX5/16 HOSE 90DEG	1	
6		608118001	FITTING-1/4NPTX1/4HOSE BARB90	1	
7		78202001	PLUG-1/4NPT SOCKET HEAD PIPE	1	
8		279326001	CAP - DIESEL FUEL W/LOCK	1	
9		279326003	KEY - FUEL CAP (PAIR)	1	
10		242698001	CLAMP-1/4" ID	1	

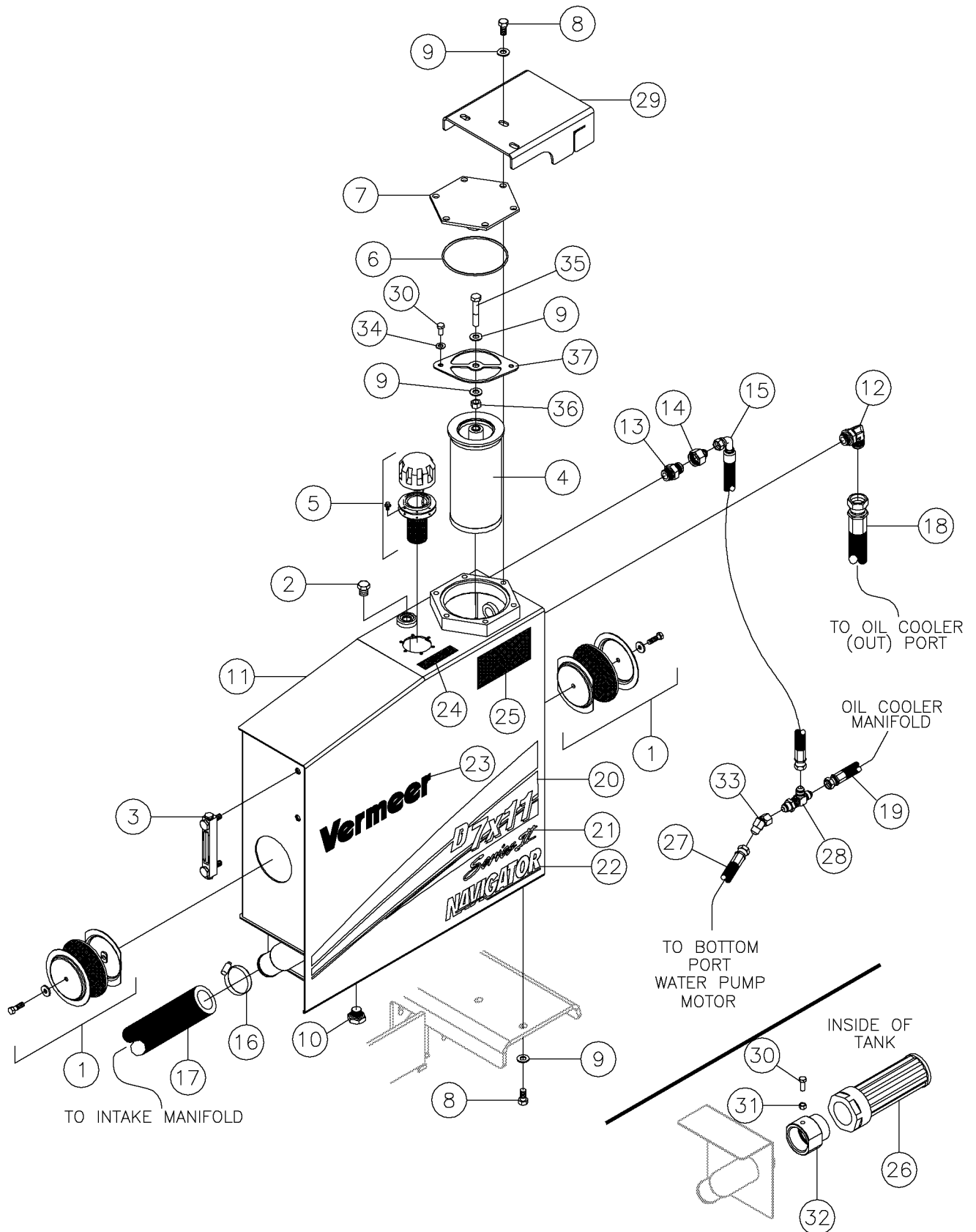
Radiator Components Fig 4-9



## Radiator Components Fig 4-9

REF. NO.	*	PART NO.	DESCRIPTION	QTY.	REMARKS
		Revision Date	March, 2006		Addition To Manual
1		296276782	CORE & TANK ASSY 4.25	1	Includes Oil Cooler
2		296276783	SHROUD ASSY	1	
3		296276784	CAP-RAD 13 PSI	1	
4		296276785	SCREW-ELEVATOR .25-20x1L	8	
5		296276786	WASHER-FLAT .25	8	
6		296276787	WASHER-LOCK .25	8	
7		296276788	NUT-HEX HEAD 1/4-20	8	

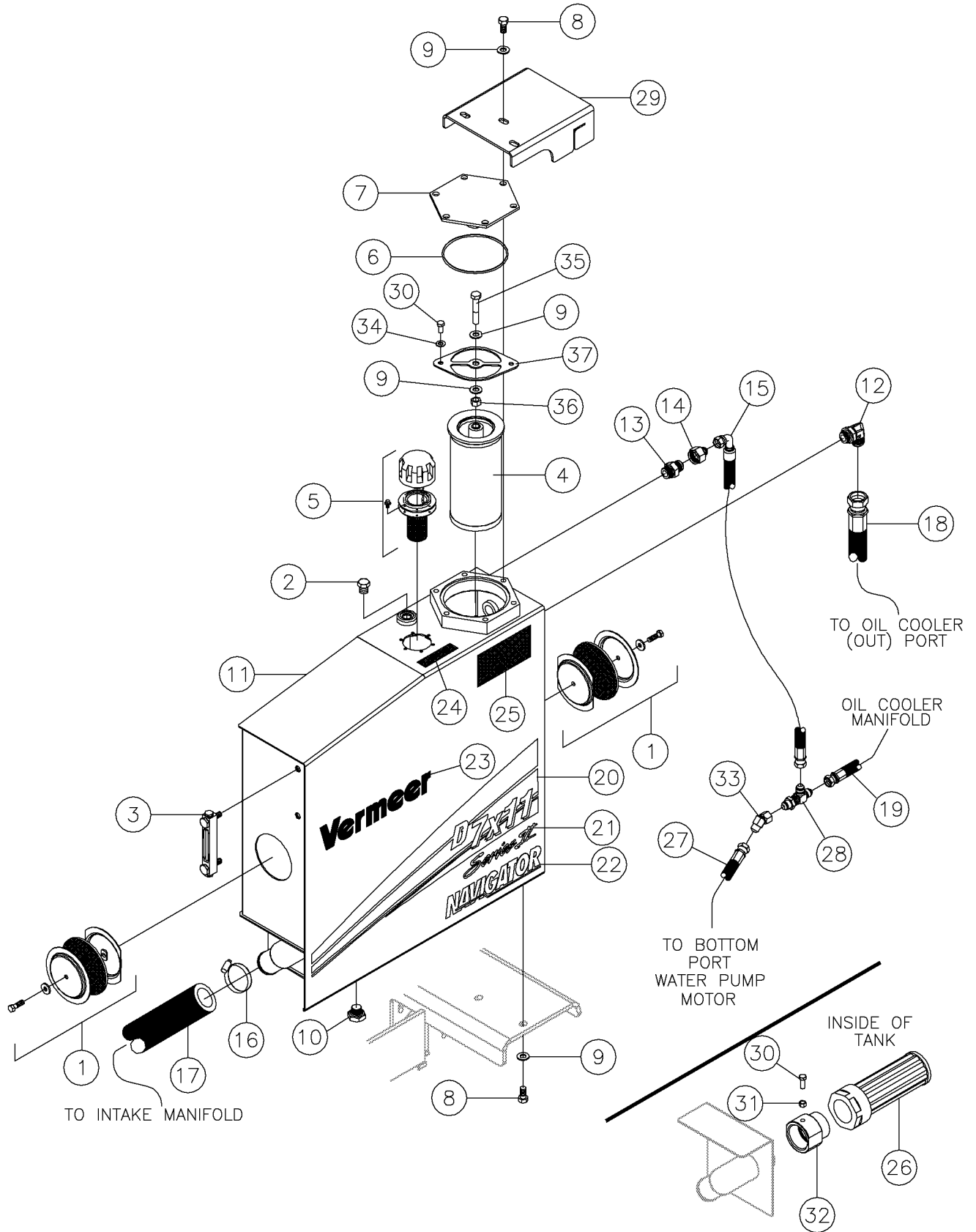
Oil Tank (S/N 647-) Fig 5-1r05



## Oil Tank (S/N 647-) Fig 5-1r05

REF. NO.	*	PART NO.	DESCRIPTION	QTY.	REMARKS
		Revision Date	October, 2007		Change Hose
1		296257231	COVER - 6" RESERVOIR END	2	
2		56218001	FITTING - PLUG - 8MORB - HEX	1	
3		81590001	GAUGE-SIGHT	1	
4		624362001	FILTER ASSEMBLY-HYDRAULIC	1	Breakdown Fig. 12-34
5		235808001	CAP-FILLER/BREATHER W/O RELIEF	1	
6		78543001	O-RING AS-357 B46	1	
7		97075001	COVER-RETURN FILTER	1	
8		235729001	SCREW-HCS-.50-13X1.00-GR8-YZ	10	
9		485025	WASHER-1/2 FLAT-HARDENED-YZ	12	
10		613818001	PLUG - 12M ORING HEX MAGNETIC	1	
11		296276709	TANK - HYDRAULIC	1	Design Change
12		59410001	FITTING-90-12MJ-12MORBA	1	
13		229396001	VALVE-85 PSI INLINE CHECK	1	
14		59421001	12F JICX8M JIC ST REDUCER FITTING	1	
15		53844403	HOSE-HYD-.50X30-8FSJ-ST/90-3000PSI-100	1	
16		1580013	HOSE CLAMP - 2 1/2"	1	
17		296277613	HOSE-SUCTION-2.00X5-200PSI	1	
18		53845209	HOSE-3/4X60 12 FS JIC 300PSI	1	
19	*	296290299	HOSE-HYD -.50X26-8FSJ-ST/ST-3000PSI-M3K	1	
20		7000D171	DECAL - LEFT STRIPE	1	(S/N 647-)
21		7000C325	DECAL - SERIES II (10")	1	
22		7000A010	DECAL-MODEL NAVIGATOR(MEDIUM)	1	
23		2326619	DECAL- VERMEER 3 X 15	1	
24		70000394	DECAL-VERMEER HY POWER	1	
25		7000A576	DECAL-DANGER	1	Domestic
		700IA576	DECAL-DANGER	1	International
26		157930001	STRAINER - PLATED TFS - 2030-0-0	1	
27		53844093	HOSE-1/2X21 8FS JIC (100R2)	1	
28		278866001	FITTING -8 MJIC BULKHEAD RUN TEE	1	
29		296278510	PLATE - TANK HOLD DOWN	1	
30		235727001	BOLT-3/8-16X1 GR8 HEX ZINC PLT	3	
31		235725001	NUT - HEX - .38 - 16 - GR8 - YZ	1	
32		296277699	RD BAR - NIPPLE HYD. TANK FILTER	1	
33		59406001	8M JICX8FS JIC 45 DEG.ELBOW	1	
34		235713001	WASHER - FLATSTRL - .38 - .41 X .81 - .06-YA-A325	2	Added Parts
35		235744001	BOLT-1/2-13X2 3/4 GR8 ZNC PLTD	1	Added Part
36		250512001	NUT- 1/2 NC Gr8 TOP LOCK Y/ ZINC	1	Added Part
37		296293751	PLATE - FILTER HOLD DOWN	1	Added Part

Oil Tank (S/N 554-646) Fig 5-1r04

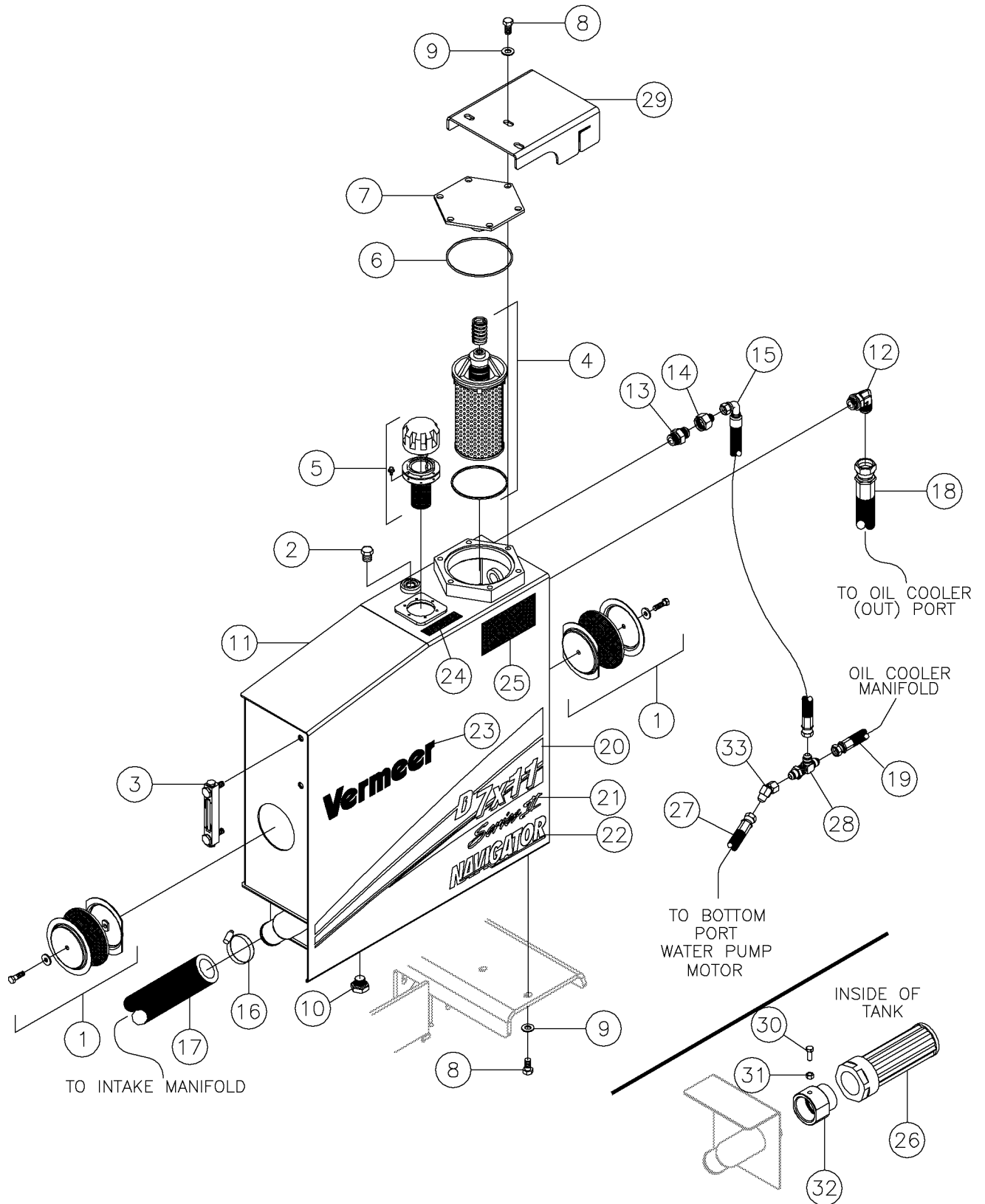




## Oil Tank (S/N 554-646) Fig 5-1r04

REF. NO.	*	PART NO.	DESCRIPTION	QTY.	REMARKS
		Revision Date	July, 2006		Update In Illustration & Parts List.
1		296257231	COVER - 6" RESERVOIR END	2	
2		56218001	FITTING - PLUG - 8MORB - HEX	1	
3		81590001	GAUGE-SIGHT	1	
4	*	624362001	FILTER ASSEMBLY-HYDRAULIC	1	Breakdown Fig. 12-34
5		235808001	CAP-FILLER/BREATHER W/O RELIEF	1	
6		78543001	O-RING AS-357 B46	1	
7		97075001	COVER-RETURN FILTER	1	
8		235729001	SCREW-HCS-.50-13X1.00-GR8-YZ	10	
9	*	485025	WASHER-1/2 FLAT-HARDENED-YZ	12	
10		613818001	PLUG - 12M ORING HEX MAGNETIC	1	
11	*	296276709	TANK - HYDRAULIC	1	Design Change
12		59410001	FITTING-90-12MJ-12MORBA	1	
13		229396001	VALVE-85 PSI INLINE CHECK	1	
14		59421001	12F JICX8M JIC ST REDUCER FITTING	1	
15		53844403	HOSE-HYD-.50X30-8FSJ-ST/90-3000PSI-100	1	
16		1580013	HOSE CLAMP - 2 1/2"	1	
17		296277613	HOSE-SUCTION-2.00X5-200PSI	1	
18		53845209	HOSE-3/4X60 12 FS JIC 300PSI	1	
19		53844193	HOSE-1/2X34 8FS JIC 2000PSI	1	
20		7000C324	DECAL - LEFT STRIPE	1	
21		7000C325	DECAL - SERIES II (10")	1	
22	*	7000A010	DECAL-MODEL NAVIGATOR(MEDIUM)	1	
23		2326619	DECAL- VERMEER 3 X 15	1	
24		70000394	DECAL-VERMEER HY POWER	1	
25		7000A576	DECAL-DANGER	1	Domestic
		700IA576	DECAL-DANGER	1	International
26		157930001	STRAINER - PLATED TFS - 2030-0-0	1	
27		53844093	HOSE-1/2X21 8FS JIC (100R2)	1	
28		278866001	FITTING -8 MJIC BULKHEAD RUN TEE	1	
29		296278510	PLATE - TANK HOLD DOWN	1	
30	*	235727001	BOLT-3/8-16X1 GR8 HEX ZINC PLT	3	
31		235725001	NUT - HEX - .38 - 16 - GR8 - YZ	1	
32		296277699	RD BAR - NIPPLE HYD. TANK FILTER	1	
33		59406001	8M JICX8FS JIC 45 DEG.ELBOW	1	
34	*	235713001	WASHER - FLATSTRL - .38 - .41 X .81 - .06-YA-A325	2	Added Parts
35	*	235744001	BOLT-1/2-13X2 3/4 GR8 ZNC PLTD	1	Added Part
36	*	250512001	NUT- 1/2 NC Gr8 TOP LOCK Y/ ZINC	1	Added Part
37	*	296293751	PLATE - FILTER HOLD DOWN	1	Added Part

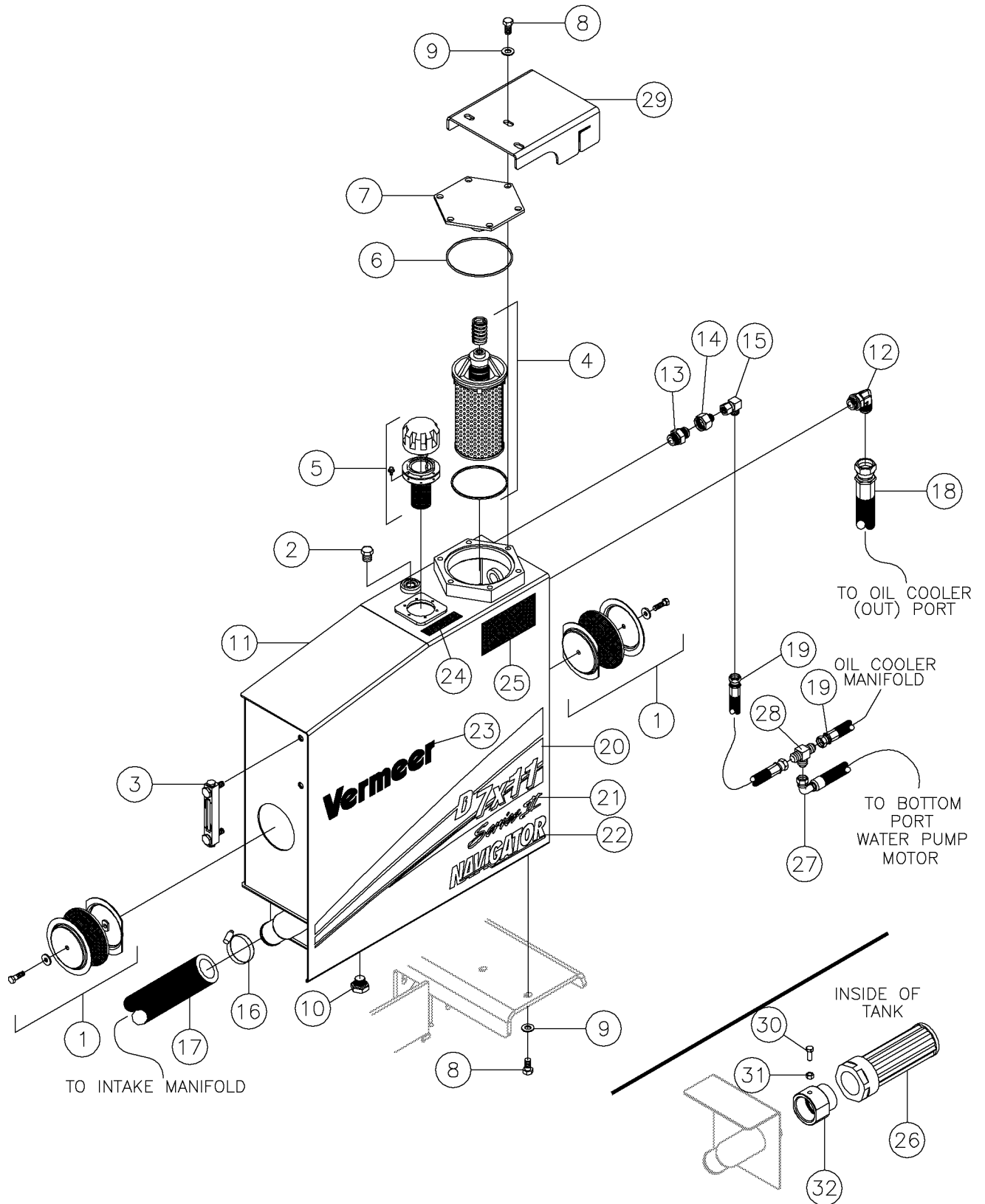
Oil Tank Fig 5-1r03



## Oil Tank Fig 5-1r03

REF. NO.	*	PART NO.	DESCRIPTION	QTY.	REMARKS
		Revision Date	June, 2006		Update In Illustration & Parts List.
1		296257231	COVER - 6" RESERVOIR END	2	
2		56218001	FITTING - PLUG - 8MORB - HEX	1	
3		81590001	GAUGE-SIGHT	1	
4		609133001	FILTER ASSEMBLY-HYDRAULIC	1	
5		235808001	CAP-FILLER/BREATHER W/O RELIEF	1	
6		78543001	O-RING AS-357 B46	1	
7		97075001	COVER-RETURN FILTER	1	
8		235729001	SCREW-HCS-.50-13X1.00-GR8-YZ	10	
9		485025	WASHER-1/2 FLAT-HARDENED-YZ	10	
10		613818001	PLUG - 12M ORING HEX MAGNETIC	1	
11		296276709	TANK - HYDRAULIC	1	
12		59410001	FITTING-90-12MJ-12MORBA	1	
13		229396001	VALVE-85 PSI INLINE CHECK	1	
14		59421001	12F JICX8M JIC ST REDUCER FITTING	1	
15		53844403	HOSE-HYD-.50X30-8FSJ-ST/90-3000PSI-100	1	
16		1580013	HOSE CLAMP - 2 1/2"	1	
17		296277613	HOSE-SUCTION-2.00X5-200PSI	1	
18		53845209	HOSE-3/4X60 12 FS JIC 300PSI	1	
19		53844193	HOSE-1/2X34 8FS JIC 2000PSI	1	
20		7000C324	DECAL - LEFT STRIPE	1	
21		7000C325	DECAL - SERIES II (10")	1	
22		70000615	DECAL-MODEL NAVIGATOR (SMALL)	1	
23		2326619	DECAL- VERMEER 3 X 15	1	
24		70000394	DECAL-VERMEER HY POWER	1	
25		7000A576	DECAL-DANGER	1	Domestic
		700IA576	DECAL-DANGER	1	International
26		157930001	STRAINER - PLATED TFS - 2030-0-0	1	
27		53844093	HOSE-1/2X21 8FS JIC (100R2)	1	
28		278866001	FITTING -8 MJIC BULKHEAD RUN TEE	1	
29		296278510	PLATE - TANK HOLD DOWN	1	
30		235727001	BOLT-3/8-16X1 GR8 HEX ZINC PLT	1	
31		235725001	NUT - HEX - .38 - 16 - GR8 - YZ	1	
32		296277699	RD BAR - NIPPLE HYD. TANK FILTER	1	
33		59406001	8M JICX8FS JIC 45 DEG.ELBOW	1	

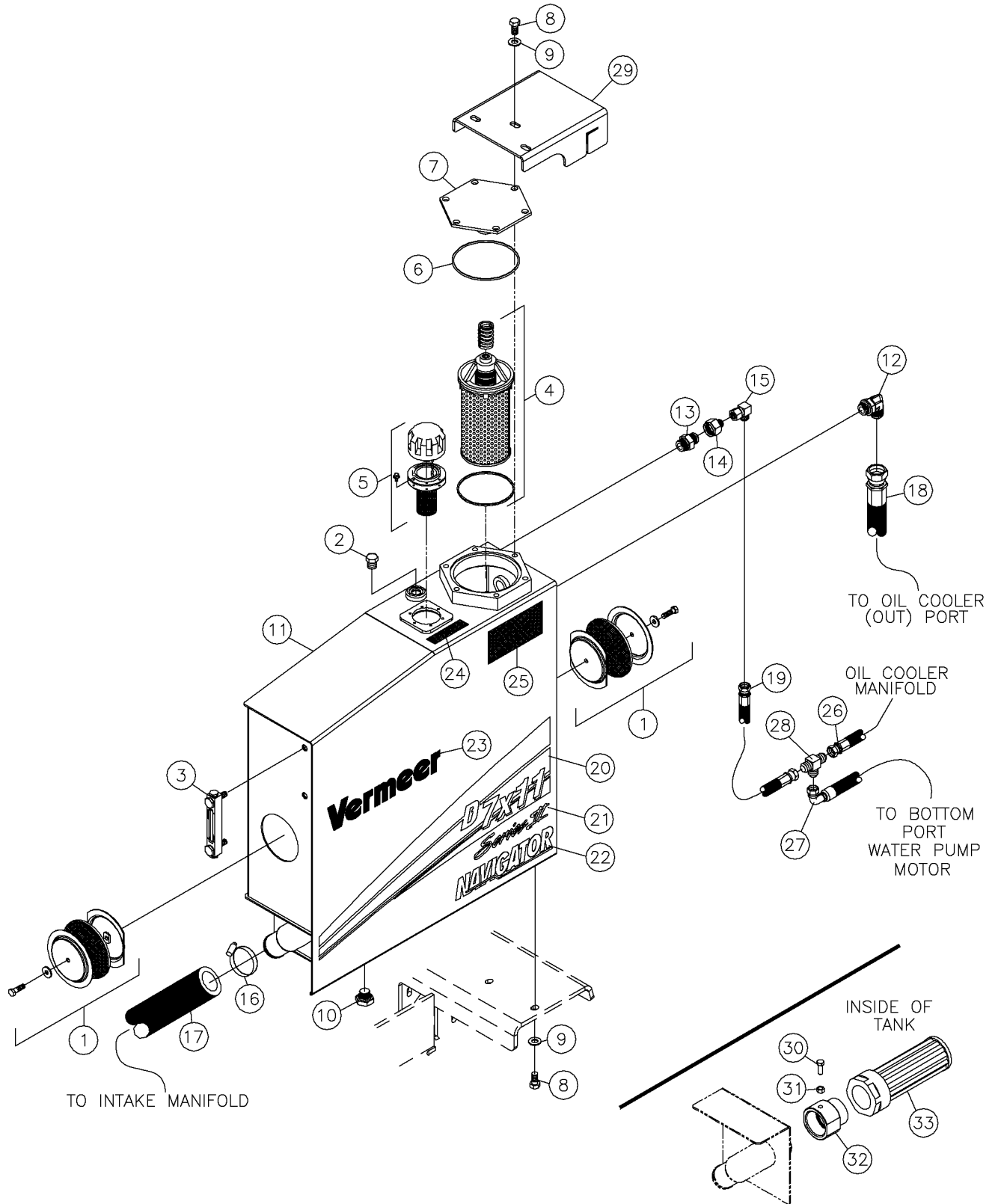
Oil Tank Fig 5-1r02



## Oil Tank Fig 5-1r02

REF. NO.	*	PART NO.	DESCRIPTION	QTY.	REMARKS
		Revision Date	March, 2006		Update In Illustration & Parts List.
1		296257231	COVER - 6" RESERVOIR END	2	
2		56218001	FITTING - PLUG - 8MORB - HEX	1	
3		81590001	GAUGE-SIGHT	1	
4		609133001	FILTER ASSEMBLY-HYDRAULIC	1	
5		235808001	CAP-FILLER/BREATHER W/O RELIEF	1	
6		78543001	O-RING AS-357 B46	1	
7		97075001	COVER-RETURN FILTER	1	
8		235729001	SCREW-HCS-.50-13X1.00-GR8-YZ	10	
9		485025	WASHER-1/2 FLAT-HARDENED-YZ	10	
10		613818001	PLUG - 12M ORING HEX MAGNETIC	1	
11		296276709	TANK - HYDRAULIC	1	
12		59410001	FITTING-90-12MJ-12MORBA	1	
13		229396001	VALVE-85 PSI INLINE CHECK	1	
14		59421001	12F JICX8M JIC ST REDUCER FITTING	1	
15		59405001	8M JICX8FS JIC 90 DEG.ELBOW	1	
16		1580013	HOSE CLAMP - 2 1/2"	1	
17		296277613	HOSE-SUCTION-2.00X5-200PSI	1	
18		53845209	HOSE-3/4X60 12 FS JIC 300PSI	1	
19		53844093	HOSE-1/2X21 8FS JIC (100R2)	2	
20		7000C324	DECAL - LEFT STRIPE	1	
21		7000C325	DECAL - SERIES II (10")	1	
22		70000615	DECAL-MODEL NAVIGATOR (SMALL)	1	
23		2326619	DECAL- VERMEER 3 X 15	1	
24		70000394	DECAL-VERMEER HY POWER	1	
25		7000A576	DECAL-DANGER	1	Domestic
		700IA576	DECAL-DANGER	1	International
26		157930001	STRAINER - PLATED TFS - 2030-0-0	1	
27		53844403	HOSE-1/2X30 8FS JIC/8FS JIC 90	1	
28		61363001	8M JIC TEE	1	
29		296278510	PLATE - TANK HOLD DOWN	1	
30		235727001	BOLT-3/8-16X1 GR8 HEX ZINC PLT	1	
31		235725001	NUT - HEX - .38 - 16 - GR8 - YZ	1	
32		296277699	RD BAR - NIPPLE HYD. TANK FILTER	1	

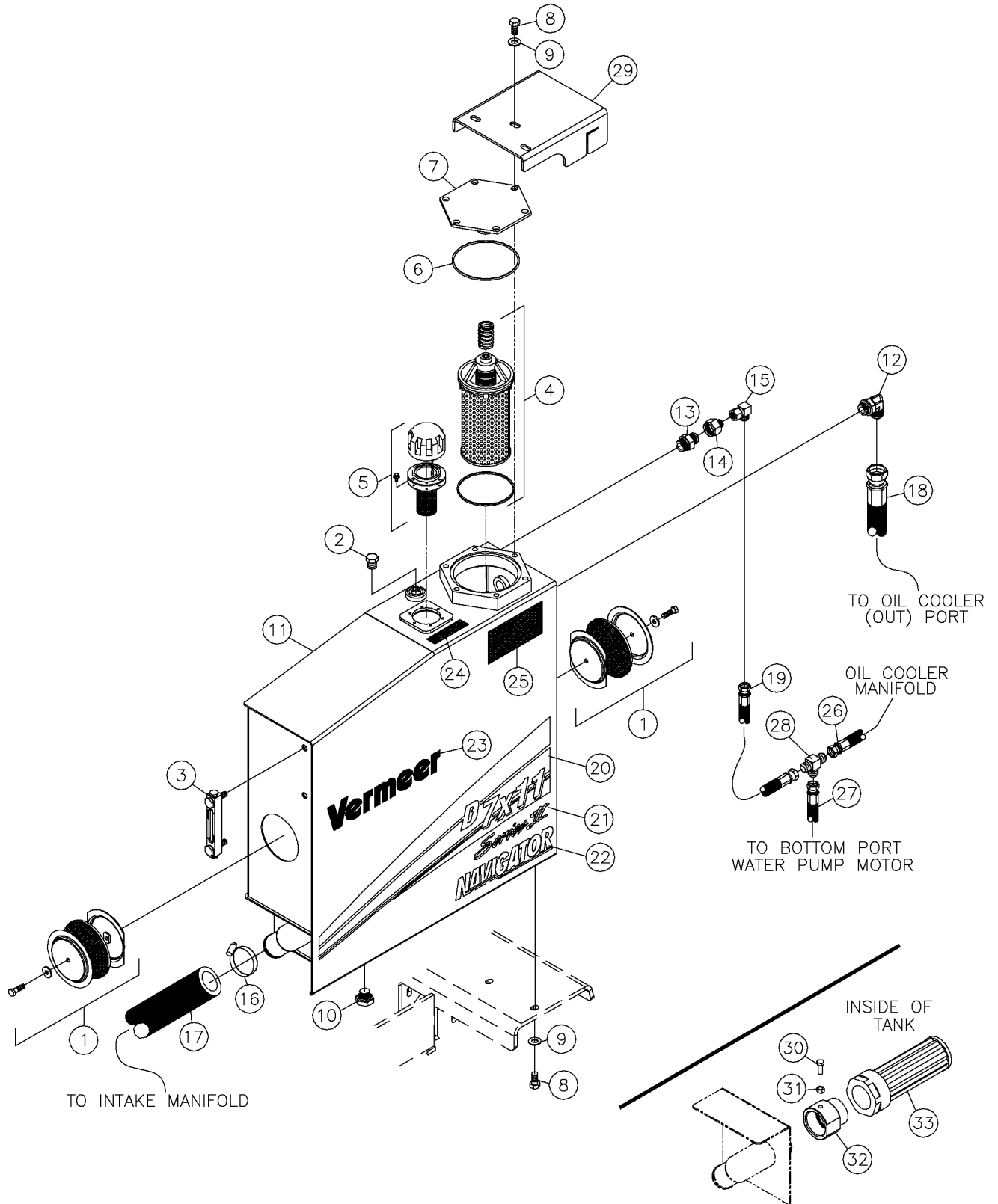
Oil Tank Fig 5-1r01



## Oil Tank Fig 5-1r01

REF. NO.	*	PART NO.	DESCRIPTION	QTY.	REMARKS
		Revision Date	March, 2005		Update In Illustration & Parts List.
1		296257231	COVER - 6" RESERVOIR END	2	
2		56218001	FITTING - PLUG - 8MORB - HEX	1	
3		81590001	GAUGE-SIGHT	1	
4		609133001	FILTER ASSEMBLY-HYDRAULIC	1	
5		235808001	CAP-FILLER/BREATHING W/O RELIEF	1	
6		78543001	O-RING AS-357 B46	1	
7		97075001	COVER-RETURN FILTER	1	
8		235729001	SCREW-HCS-.50-13X1.00-GR8-YZ	10	
9		485025	WASHER-1/2 FLAT-HARDENED-YZ	10	
10		613818001	PLUG - 12M ORING HEX MAGNETIC	1	
11		296276709	TANK - HYDRAULIC	1	
12		59410001	FITTING-90-12MJ-12MORBA	1	
13		229396001	VALVE-85 PSI INLINE CHECK	1	
14		59421001	12F JICX8M JIC ST REDUCER FITTING	1	
15		59405001	8M JICX8FS JIC 90 DEG.ELBOW	1	
16		1580013	HOSE CLAMP - 2 1/2"	1	
17		296277613	HOSE-SUCTION-2.00X5-200PSI	1	
18		53845209	HOSE-3/4X60 12 FS JIC 300PSI	1	
19		53844093	HOSE-1/2X21 8FS JIC (100R2)	1	
20		7000C324	DECAL - LEFT STRIPE	1	
21		7000C325	DECAL - SERIES II (10")	1	
22		70000615	DECAL-MODEL NAVIGATOR (SMALL)	1	
23		2326619	DECAL- VERMEER 3 X 15	1	
24		70000394	DECAL-VERMEER HY POWER	1	
25		7000A576	DECAL-DANGER	1	Domestic
		700IA576	DECAL-DANGER	1	International
26		53844093	HOSE-1/2X21 8FS JIC (100R2)	1	
27		53844403	HOSE-1/2X30 8FS JIC/8FS JIC 90	1	
28		61363001	8M JIC TEE	1	
29		296278510	PLATE - TANK HOLD DOWN	1	
30		235727001	BOLT-3/8-16X1 GR8 HEX ZINC PLT	1	
31		235725001	NUT - HEX - .38 - 16 - GR8 - YZ	1	
32		296277699	RD BAR - NIPPPLE HYD. TANK FILTER	1	
33		157930001	STRAINER - PLATED TFS - 2030-0-0	1	

Oil Tank Fig 5-1

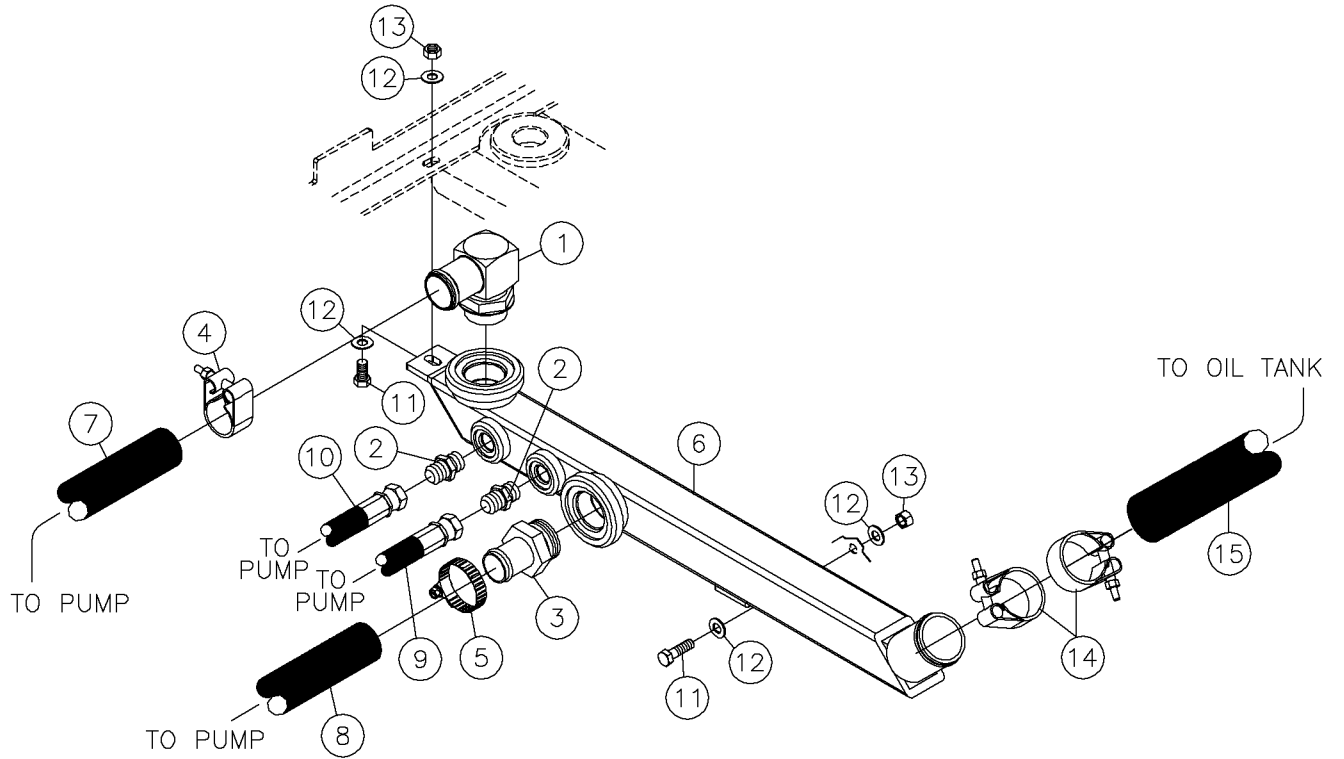




## Oil Tank Fig 5-1

REF. NO.	*	PART NO.	DESCRIPTION	QTY.	REMARKS
1		296257231	COVER - 6" RESERVOIR END	2	
2		56218001	FITTING - PLUG - 8MORB - HEX	1	
3		81590001	GAUGE-SIGHT	1	
4		609133001	FILTER ASSEMBLY-HYDRAULIC	1	
5		235808001	CAP-FILLER/BREATHING W/O RELIEF	1	
6		78543001	O-RING AS-357 B46	1	
7		97075001	COVER-RETURN FILTER	1	
8		235729001	SCREW-HCS-.50-13X1.00-GR8-YZ	10	
9		485025	WASHER-1/2 FLAT-HARDENED-YZ	10	
10		613818001	PLUG - 12M ORING HEX MAGNETIC	1	
11		296276709	TANK - HYDRAULIC	1	
12		59410001	FITTING-90-12MJ-12MORBA	1	
13		229396001	VALVE-85 PSI INLINE CHECK	1	
14		59421001	12F JICX8M JIC ST REDUCER FITTING	1	
15		59405001	8M JICX8FS JIC 90 DEG.ELBOW	1	
16		1580013	HOSE CLAMP - 2 1/2"	1	
17		296277613	HOSE-SUCTION-2.00X5-200PSI	1	
18		53845209	HOSE-3/4X60 12 FS JIC 300PSI	1	
19		53844193	HOSE-1/2X34 8FS JIC 2000PSI	1	
20		7000C324	DECAL - LEFT STRIPE	1	
21		7000C325	DECAL - SERIES II (10")	1	
22		70000615	DECAL-MODEL NAVIGATOR (SMALL)	1	
23		2326619	DECAL- VERMEER 3 X 15	1	
24		70000394	DECAL-VERMEER HY POWER	1	
25		7000A576	DECAL-DANGER	1	Domestic
		700IA576	DECAL-DANGER	1	International
26		296067001	HOSE-HYD-.50 X 24 8FSJ ST/ST 3000PSI	1	
27		53844161	HOSE-1/2X17 8FS JIC 3000 PSI	1	
28		61363001	8M JIC TEE	1	
29		296278510	PLATE - TANK HOLD DOWN	1	
30		235727001	BOLT-3/8-16X1 GR8 HEX ZINC PLT	1	
31		235725001	NUT - HEX - .38 - 16 - GR8 - YZ	1	
32		296277699	RD BAR - NIPPPLE HYD. TANK FILTER	1	
33		157930001	STRAINER - PLATED TFS - 2030-0-0	1	

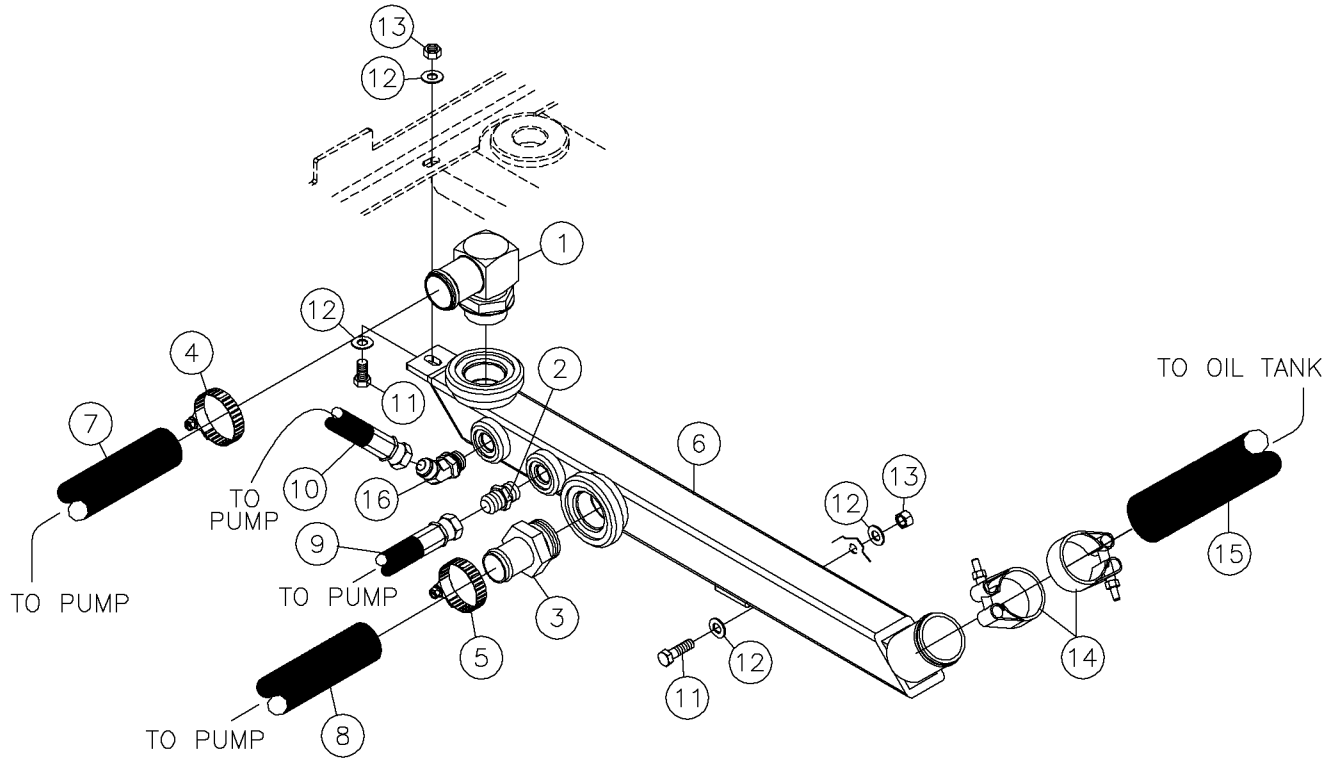
Intake Manifold Fig 5-2r02



## Intake Manifold Fig 5-2r02

REF. NO.	*	PART NO.	DESCRIPTION	QTY.	REMARKS
		Revision Date	July, 2007		Change Clamp
1		904821001	INSERT-20M X 1 1/2"-90 HOSE	1	
2		53824001	FITTING-#8M O-RING-#8M JIC ST.	2	
3		99380001	FITTING-20M X 1 1/4 BEAD STR.	1	
4	*	296289191	CLAMP - T-BOLT 1.5"	1	
5		1580009	HOSE CLAMP - 1 3/4"	1	
6		296277508	MANIFOLD - 2" SQ INTAKE	1	
7		296282347	HOSE-SUCTION-1.50X24-2000PSI	1	
8		264707001	HOSE - 1.25 X 13 X 200 PSI	1	
9		296282345	HOSE-HYD.-.50X21-8FSJ-ST/ST 3000 PSI	1	
10		296275097	HOSE-HYD.-.50X18-8FSJ-ST/90-3500PSI-100R2	1	
11		235736001	BOLT-3/8-16X1 1/4 ZINC PLTD	2	
12		510337635	WASHER-FLATSAE-.38-.41X.81-16G-YZ	4	
13		250508001	NUT - 3/8-NC Gr8 TOP LOCK Y/ZINC	2	
14		224938001	CLAMP-2" T-BOLT	2	
15		296277613	HOSE-SUCTION-2.00X5-200PSI	1	

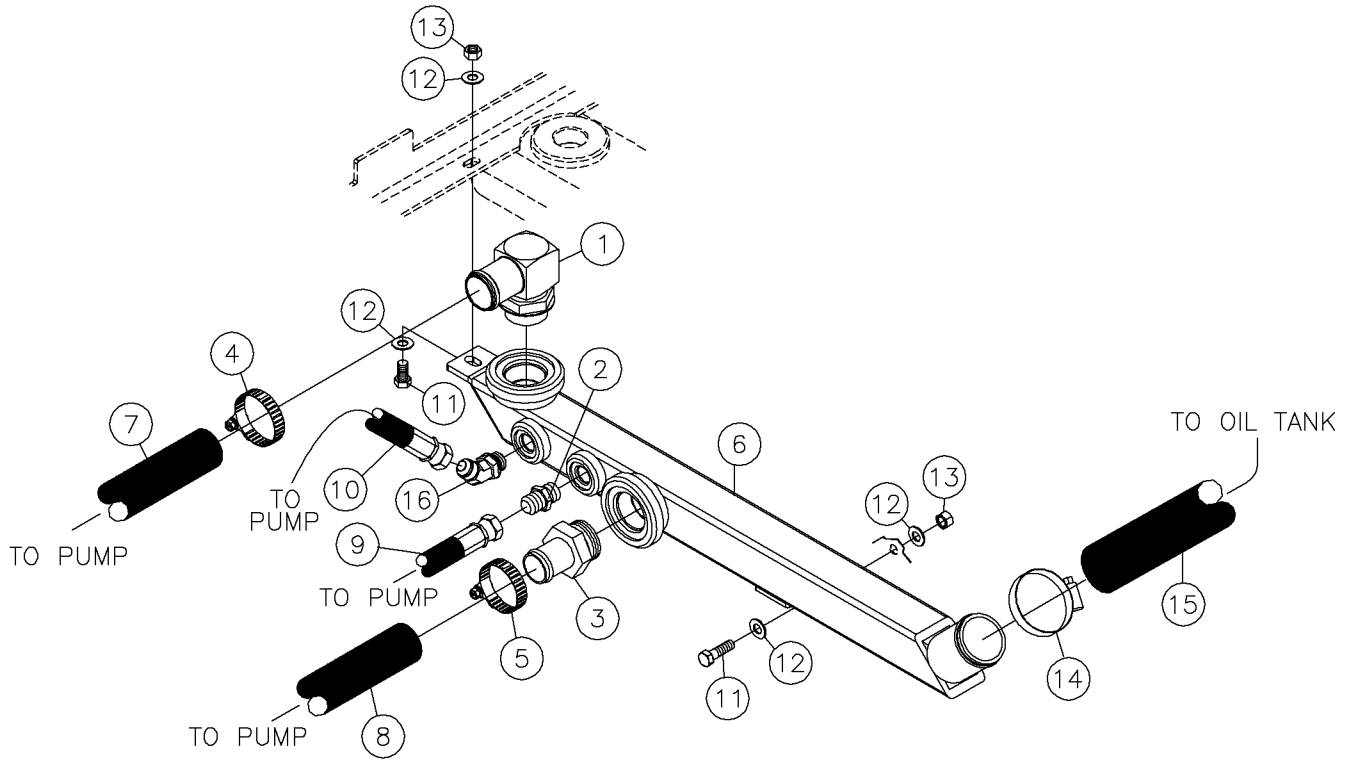
Intake Manifold Fig 5-2r01



## Intake Manifold Fig 5-2r01

REF. NO.	*	PART NO.	DESCRIPTION	QTY.	REMARKS
		Revision Date	March, 2005		Update In Illustration & Parts List.
1		904821001	INSERT-20M X 1 1/2"-90 HOSE	1	
2		53824001	FITTING-#8M O-RING-#8M JIC ST.	1	
3		99380001	FITTING-20M X 1 1/4 BEAD STR.	1	
4		1580011	HOSE CLAMP - 2"	1	
5		1580009	HOSE CLAMP - 1 3/4"	1	
6		296277508	MANIFOLD - 2" SQ INTAKE	1	
7		296277614	HOSE - SUCTION - 1.50X32-200PSI	1	
8		264707001	HOSE - 1.25 X 13 X 200 PSI	1	
9		296067001	HOSE-HYD-.50 X 24 8FSJ ST/ST 3000PSI	1	
10		53844483	HOSE-1/2X13" 8FS JIC 3000 PSI	1	
11		235736001	BOLT-3/8-16X1 1/4 ZINC PLTD	2	
12		510337635	WASHER-FLATSAE-.38-.41X.81-16G-YZ	4	
13		250508001	NUT - 3/8-NC Gr8 TOP LOCK Y/ZINC	2	
14		224938001	CLAMP-2" T-BOLT	2	
15		296277613	HOSE-SUCTION-2.00X5-200PSI	1	
16		53834001	FITTING-#8M O-RING-#8M JIC 45 DEG.	1	

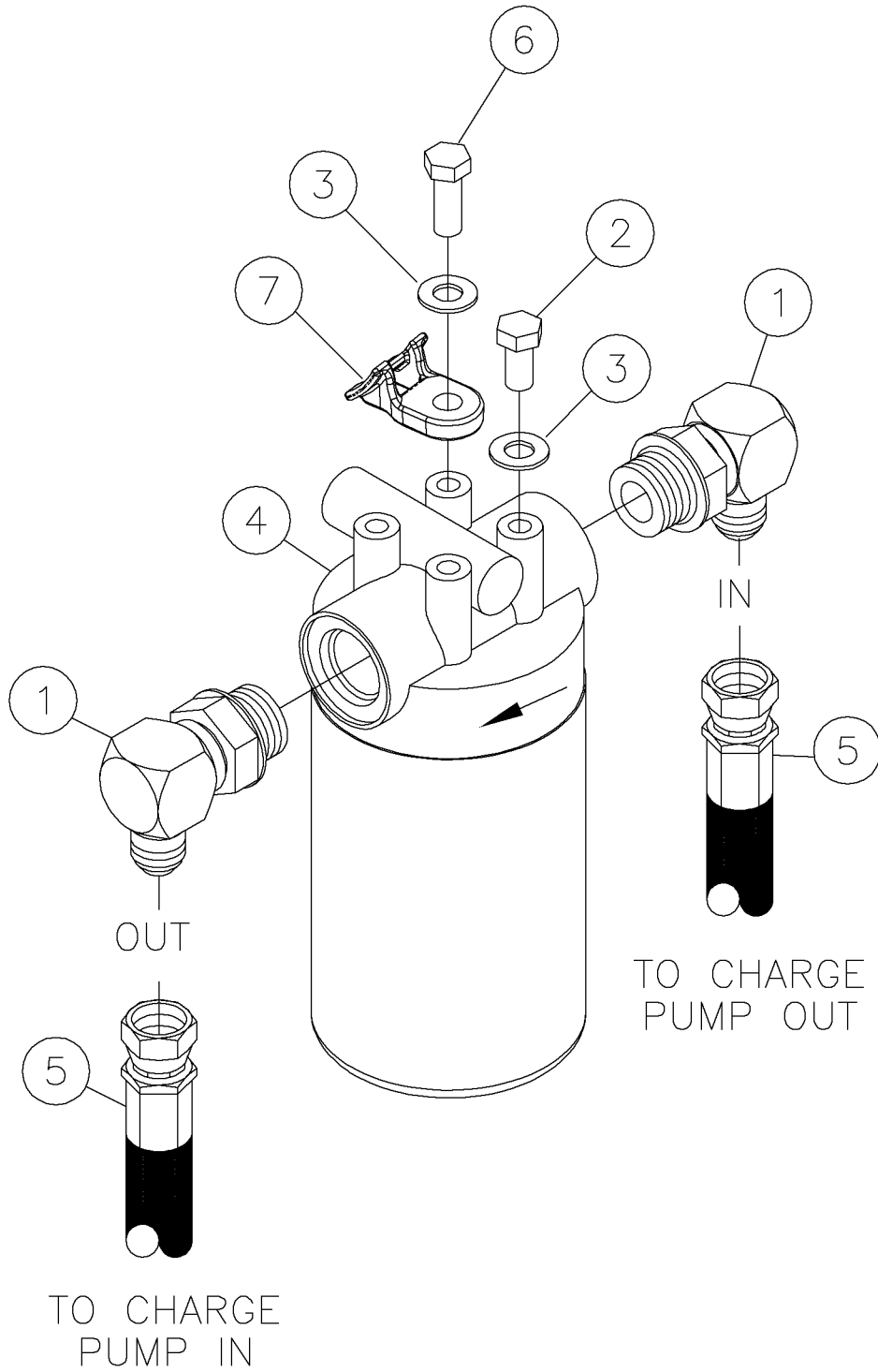
Intake Manifold Fig 5-2



## Intake Manifold Fig 5-2

REF. NO.	*	PART NO.	DESCRIPTION	QTY.	REMARKS
1		904821001	INSERT-20M X 1 1/2"-90 HOSE	1	
2		53824001	FITTING-#8M O-RING-#8M JIC ST.	1	
3		99380001	FITTING-20M X 1 1/4 BEAD STR.	1	
4		1580011	HOSE CLAMP - 2"	1	
5		1580009	HOSE CLAMP - 1 3/4"	1	
6		296277508	MANIFOLD - 2" SQ INTAKE	1	
7		296277614	HOSE - SUCTION - 1.50X32-200PSI	1	
8		264707001	HOSE - 1.25 X 13 X 200 PSI	1	
9		296067001	HOSE-HYD-.50 X 24 8FSJ ST/ST 3000PSI	1	
10		53844483	HOSE-1/2X13" 8FS JIC 3000 PSI	1	
11		235736001	BOLT-3/8-16X1 1/4 ZINC PLTD	2	
12		510337635	WASHER-FLATSAE-.38-.41X.81-16G-YZ	4	
13		250508001	NUT - 3/8-NC Gr8 TOP LOCK Y/ZINC	2	
14		1580013	HOSE CLAMP - 2 1/2"	1	
15		296277613	HOSE-SUCTION-2.00X5-200PSI	1	
16		53834001	FITTING-#8M O-RING-#8M JIC 45 DEG.	1	

Charge Filter Fig 5-3





## Charge Filter Fig 5-3

REF. NO.	*	PART NO.	DESCRIPTION	QTY.	REMARKS
		Revision Date	November, 2006		Added Mount & Hardware
1		57949001	FITTING-12MX8M JIC 90 DEG. EL.	1	
2	*	235726001	BOLT-3/8-16X3/4 GR8 HEX ZNCPLT	3	
3	*	235713001	WASHER - FLATSTRL - .38 - .41 X .81 - .06-YA-A325	4	
4		230520001	FILTER ASSY-OIL	1	
		81902001	FILTER-OIL	1	
5		53844425	HOSE-1/2X22 8FSJIC-8FSJIC 45	2	
6	*	235727001	SCREW-HCS-.38-16X1.00-GR8-YZ	1	
7	*	296276018	MOUNT HELLER MANN TITON	1	

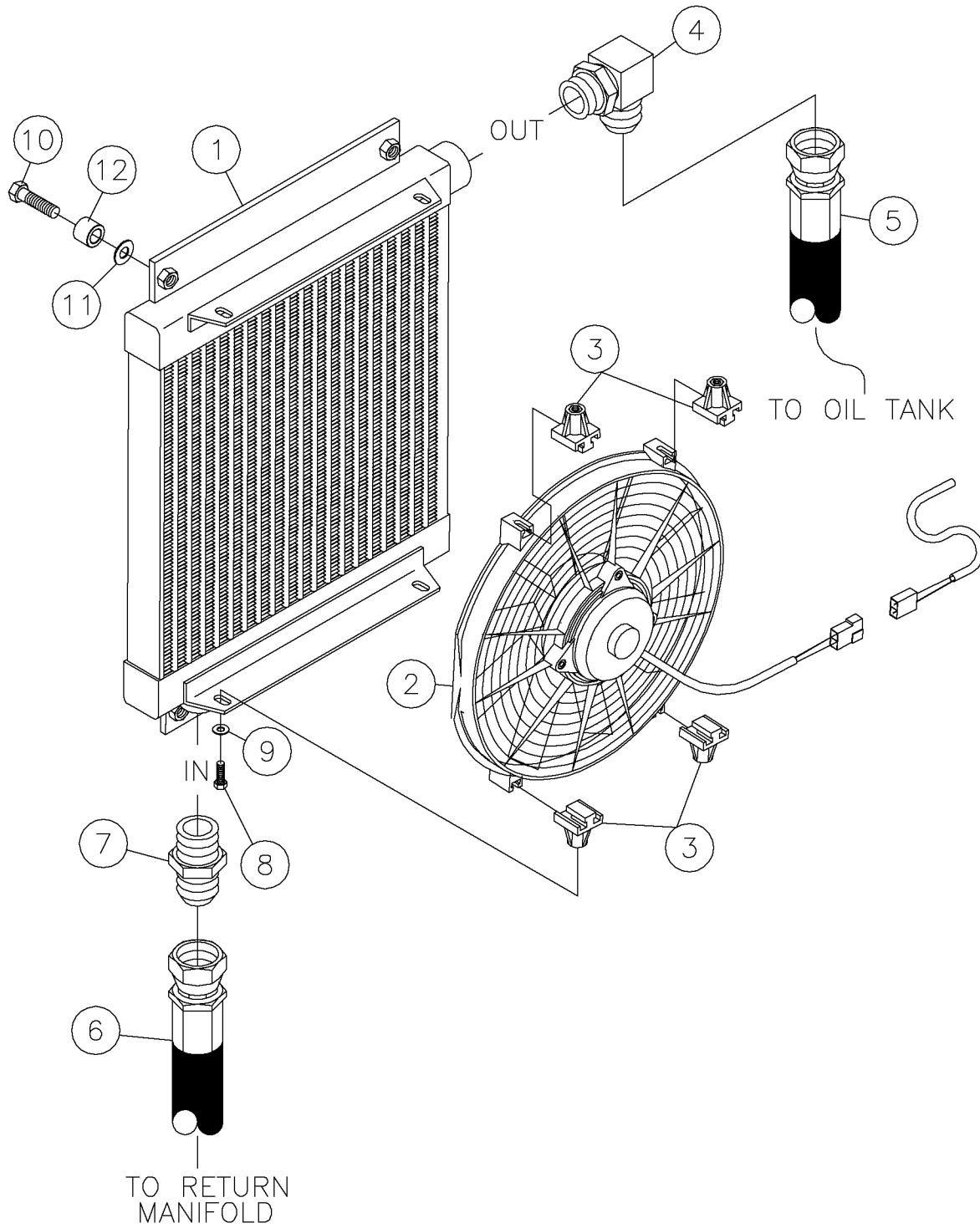
Oil Cooler (DELETED) Fig 5-4r02

FIGURE DELETED DUE TO UPDATE

## Oil Cooler (DELETED) Fig 5-4r02

REF. NO.	*	PART NO.	DESCRIPTION	QTY.	REMARKS
		Revision Date	March, 2006		Update In Illustration & Parts List.
			FIGURE DELETED DUE TO UPDATE		

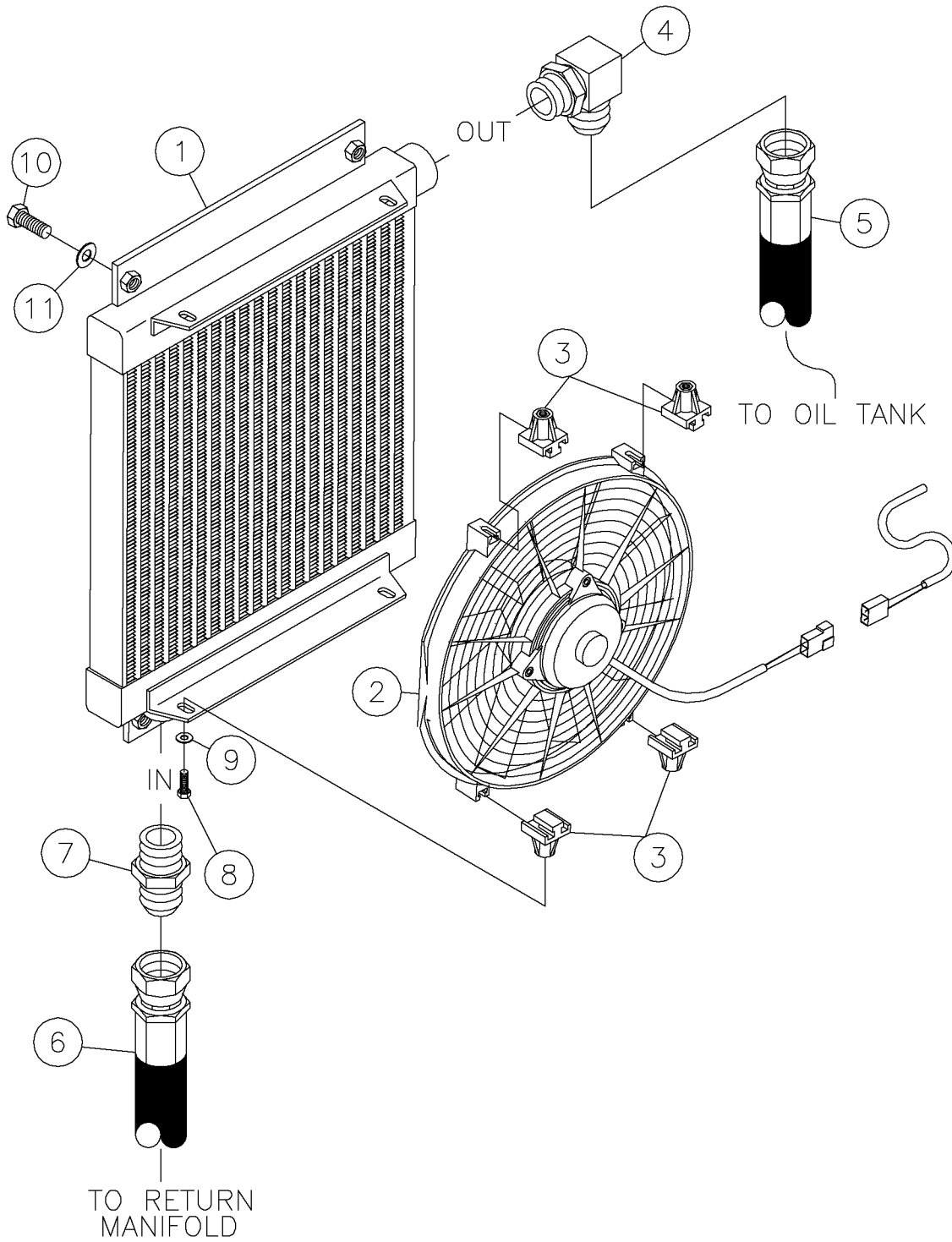
Oil Cooler Fig 5-4r01



## Oil Cooler Fig 5-4r01

REF. NO.	*	PART NO.	DESCRIPTION	QTY.	REMARKS
		Revision Date	March, 2005		Update In Illustration & Parts List.
1		254765001	COOLER-OIL	1	
2		241895001	FAN-12" SEALED ELECTRIC	1	
3		226971001	MOUNT-FAN(5MM) (SET OF 4)	1	
4		59410001	FITTING-90-12MJ-12MORBA	1	
5		53845209	HOSE-3/4X60 12 FS JIC 300PSI	1	
6		276782001	HOSE-3/4X23 12FSJIC ST/90 M3K	1	
7		53828001	#12M O-RING-#12M JIC ST.	1	
8		506030016	SCREW-HCS,M5-.80X16,8.8,YZ,D933,FT	4	
9		506046005	WASHER-FLAT,M5,YZ,D125A	4	
10		248031001	BOLT-5/16-18X1 1/4 GR8 ZINC PL	4	
11		3215005	WASHER GRESEN 1214-001	4	
12		296277321	TUBE-.50" SPACER	4	

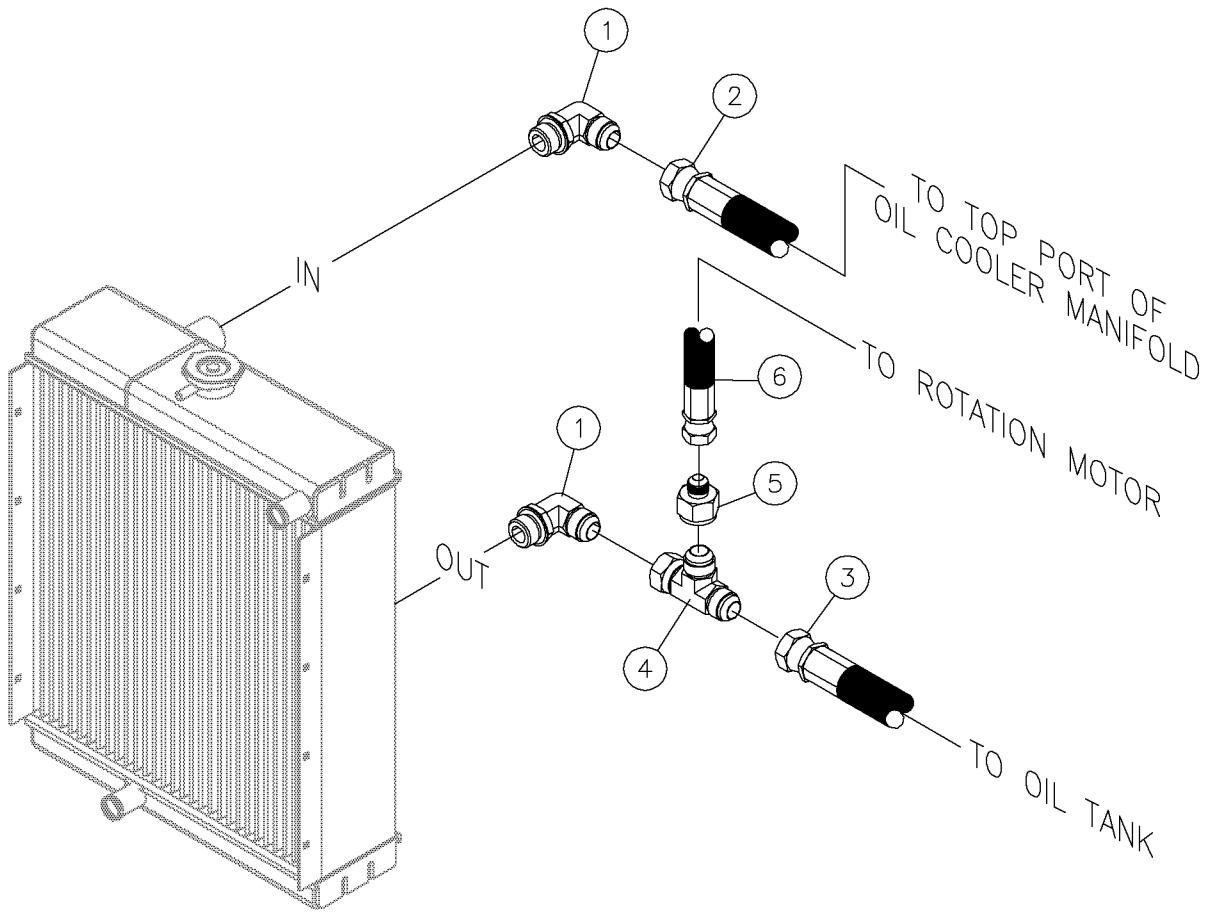
Oil Cooler Fig 5-4



## Oil Cooler Fig 5-4

REF. NO.	*	PART NO.	DESCRIPTION	QTY.	REMARKS
1		254765001	COOLER-OIL	1	
2		241895001	FAN-12" SEALED ELECTRIC	1	
3		226971001	MOUNT-FAN(5MM) (SET OF 4)	1	
4		59410001	FITTING-90-12MJ-12MORBA	1	
5		53845209	HOSE-3/4X60 12 FS JIC 300PSI	1	
6		276782001	HOSE-3/4X23 12FSJIC ST/90 M3K	1	
7		53828001	#12M O-RING-#12M JIC ST.	1	
8		506030016	SCREW-HCS,M5-.80X16,8.8,YZ,D933,FT	4	
9		506046005	WASHER-FLAT,M5,YZ,D125A	4	
10		235734001	BOLT-1/4-20X3/4 GR8 ZINC PLTD	4	
11		252251001	WASHER-1/4 SAE FLAT ZP	4	

Oil Cooler (S/N 568-) Fig 5-4x01r01

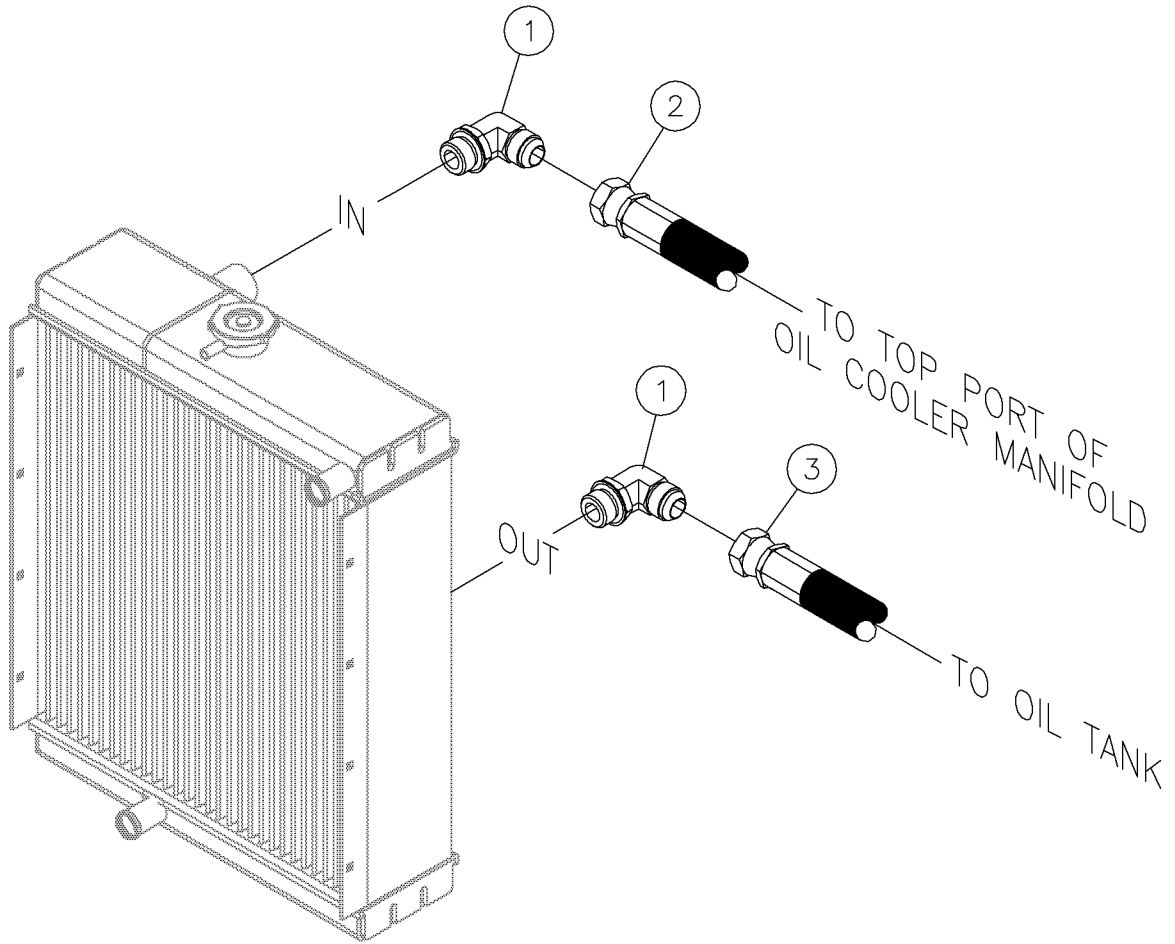




## Oil Cooler (S/N 568-) Fig 5-4x01r01

REF. NO.	*	PART NO.	DESCRIPTION	QTY.	REMARKS
		Revision Date	August, 2006		Added Fittings And Hose
1		59410001	FITTING-90-12MJ-12MORBA	2	
2		53845479	HOSE-3/4X38 12FS JIC 3000 PSI	1	
3		53845209	HOSE-3/4X60 12 FS JIC 300PSI	1	
4	*	59417001	12 JIC SW RUN TEE	1	(S/N 568-)
5	*	59421001	12F JICX8M JIC ST REDUCER FITTING	1	(S/N 568-)
6	*	251604001	HOSE-3/8X190 6FSJIC ST/90 3000	1	(S/N 568-)

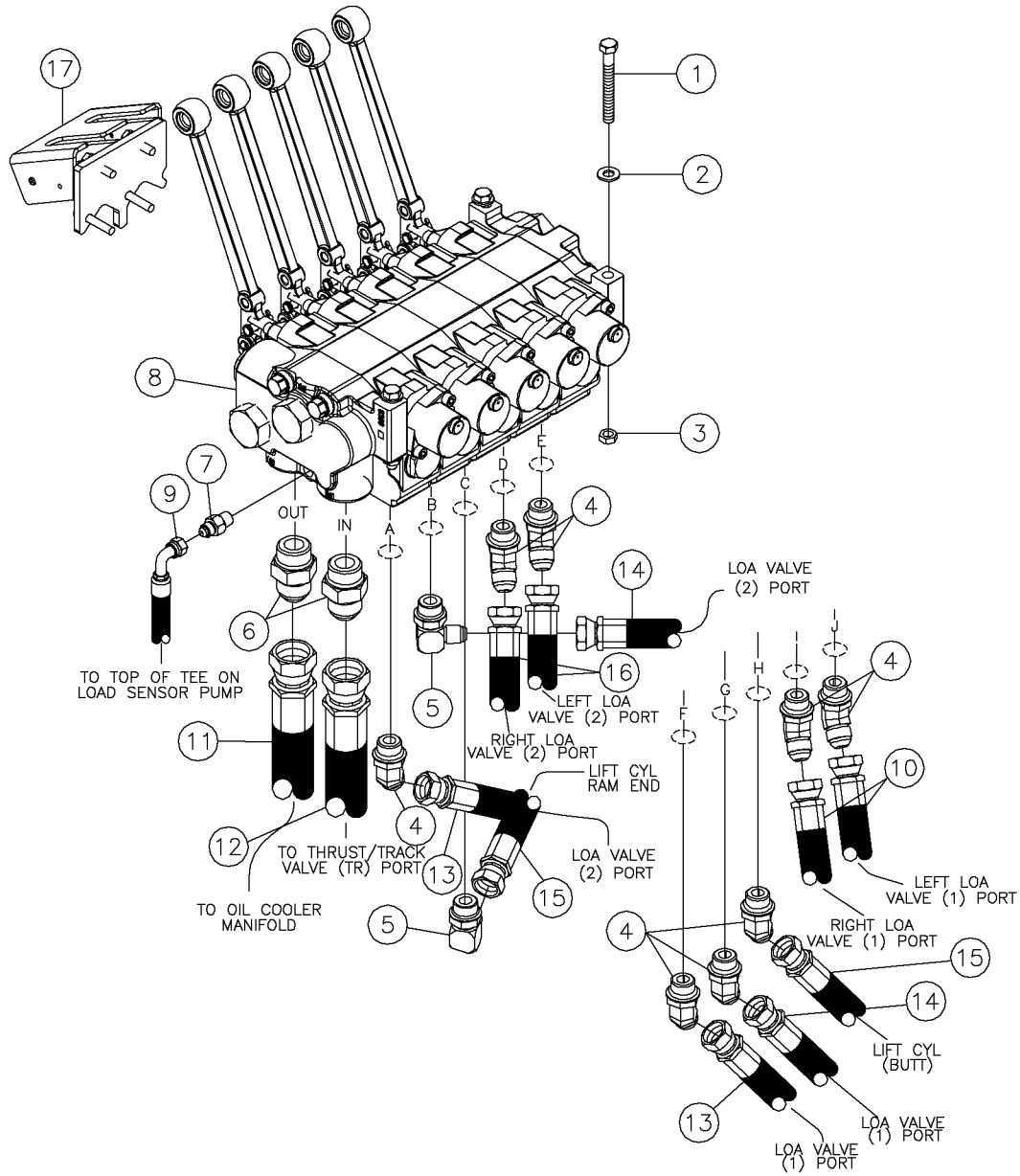
Oil Cooler Fig 5-4x01



## Oil Cooler Fig 5-4x01

REF. NO.	*	PART NO.	DESCRIPTION	QTY.	REMARKS
		Revision Date	June, 2006		Addition To Manual
1		59410001	FITTING-90-12MJ-12MORBA	2	
2		53845479	HOSE-3/4X38 12FS JIC 3000 PSI	1	
3		53845209	HOSE-3/4X60 12 FS JIC 300PSI	1	

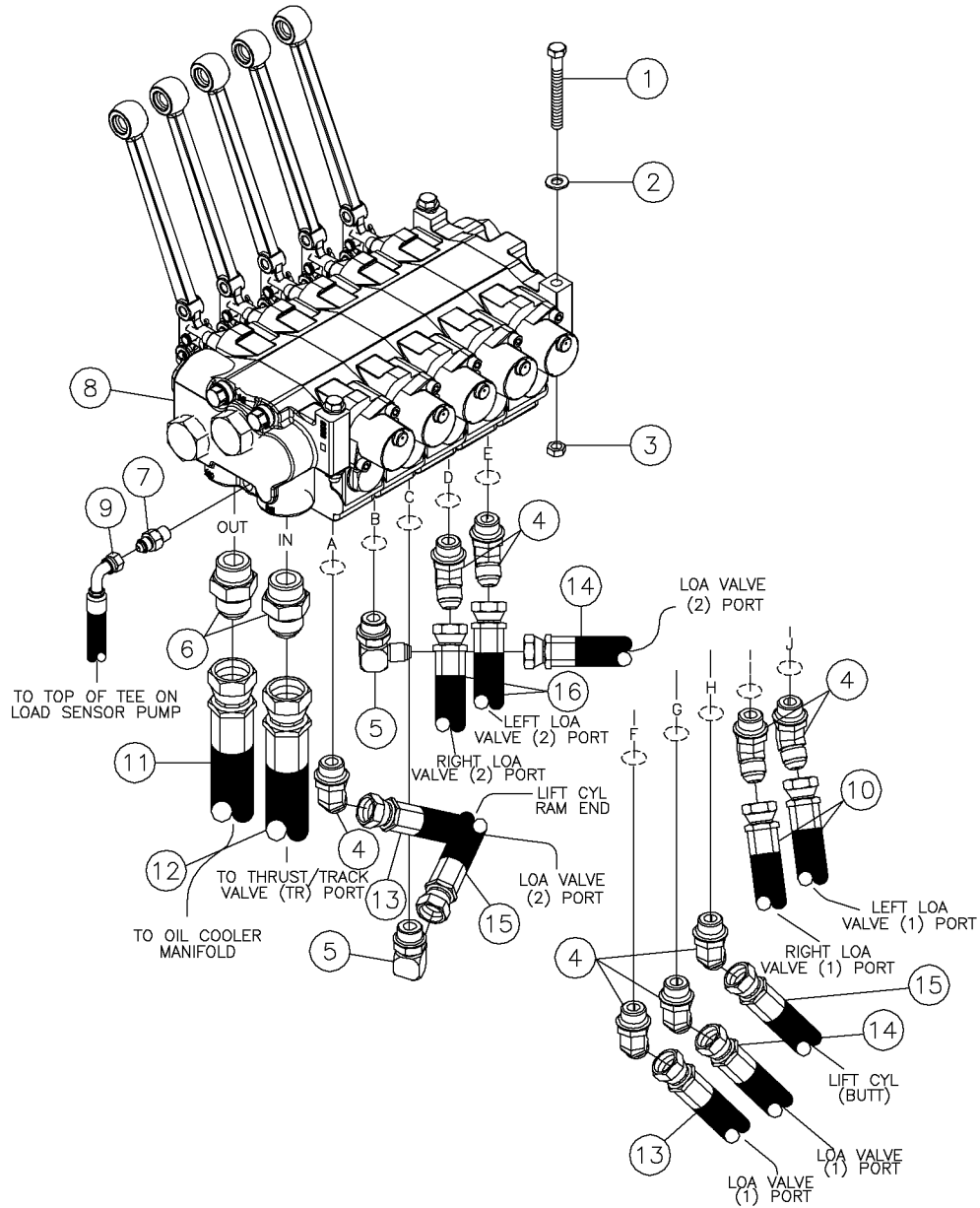
Control Valve (S/N 615-) Fig 5-5r04



## Control Valve (S/N 615-) Fig 5-5r04

REF. NO.	*	PART NO.	DESCRIPTION	QTY.	REMARKS
		Revision Date	August, 2006		Added Speed Control Assy
1		250502001	BOLT 5/16-18 X 2 3/4"GR8 HEX Y	3	
2		235714001	WASHER - FLATSTRL - .31 - .34 X .69 - .06-YZ-A325	3	
3		235741001	NUT - HEX - .31 - 18 - GR8 - YZ	3	
4		53834001	#8M O-RING-#8M JIC 45 DEG.	8	
5		57954001	FITTING-8M O-RING X 6M JIC 90 DEGS	2	
6		53828001	#12M O-RING-#12M JIC ST.	2	
7		60908001	FITTING-4MX4M JIC STR ADAPTER	1	
8		287530001	VALVE - TRANSPORT	1	Breakdown Fig 12-1 Thru 12-4
9		53843523	HOSE-1/4X86 4FS JIC ST/4FSJC90	1	
10		53844157	HOSE-1/2X16 8FS JIC 3000 PSI	2	
11		53845661	HOSE-3/4X34 12FS JIC 12FS 90DE	1	
12		53845597	HOSE-3/4X68 12FS JIC 3000 PSI	1	
13		296277606	HOSE-HYD-.38X170-6FSJ-ST/ST-3000PSI-M3K-	2	
14		296277300	HOSE-HYD-.38X14-6FSJ-ST/ST-3000PSI-M3K	2	
15		296277600	HOSE-HYD..38X47-6FSJ-ST/45-3000PSI-M3K-	2	
16		53844483	HOSE-1/2X13" 8FS JIC 3000 PSI	2	
17	*	296293766	SPEED CONTROL ASSY	1	(S/N 615-) Breakdown Fig. 5-5x01

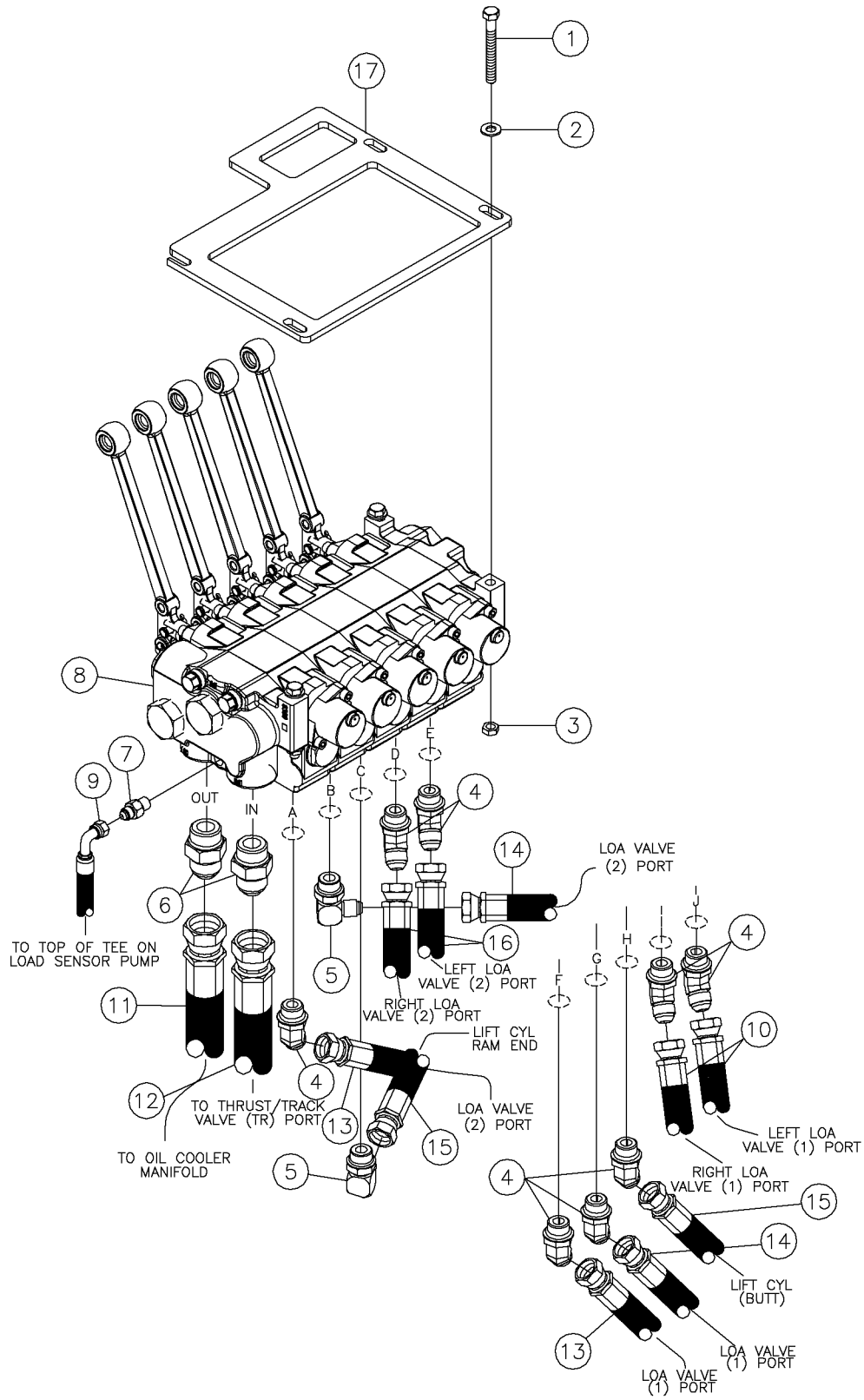
Control Valve Fig 5-5r03



## Control Valve Fig 5-5r03

REF. NO.	*	PART NO.	DESCRIPTION	QTY.	REMARKS
		Revision Date	November, 2006		Deleted Greaser Mount Bracket
1		250502001	BOLT 5/16-18 X 2 3/4"GR8 HEX Y	3	
2		235714001	WASHER - FLATSTRL - .31 - .34 X .69 - .06-YZ-A325	3	
3		235741001	NUT - HEX - .31 - 18 - GR8 - YZ	3	
4		53834001	#8M O-RING-#8M JIC 45 DEG.	8	
5		57954001	FITTING-8M O-RING X 6M JIC 90 DEGS	2	
6		53828001	#12M O-RING-#12M JIC ST.	2	
7		60908001	FITTING-4MX4M JIC STR ADAPTER	1	
8		287530001	VALVE - TRANSPORT	1	Breakdown Fig 12-1 Thru 12-4
9		53843523	HOSE-1/4X86 4FS JIC ST/4FSJC90	1	
10		53844157	HOSE-1/2X16 8FS JIC 3000 PSI	2	
11		53845661	HOSE-3/4X34 12FS JIC 12FS 90DE	1	
12		53845597	HOSE-3/4X68 12FS JIC 3000 PSI	1	
13		296277606	HOSE-HYD-.38X170-6FSJ-ST/ST-3000PSI-M3K-	2	
14		296277300	HOSE-HYD-.38X14-6FSJ-ST/ST-3000PSI-M3K	2	
15		296277600	HOSE-HYD..38X47-6FSJ-ST/45-3000PSI-M3K-	2	
16		53844483	HOSE-1/2X13" 8FS JIC 3000 PSI	2	

Control Valve Fig 5-5r02

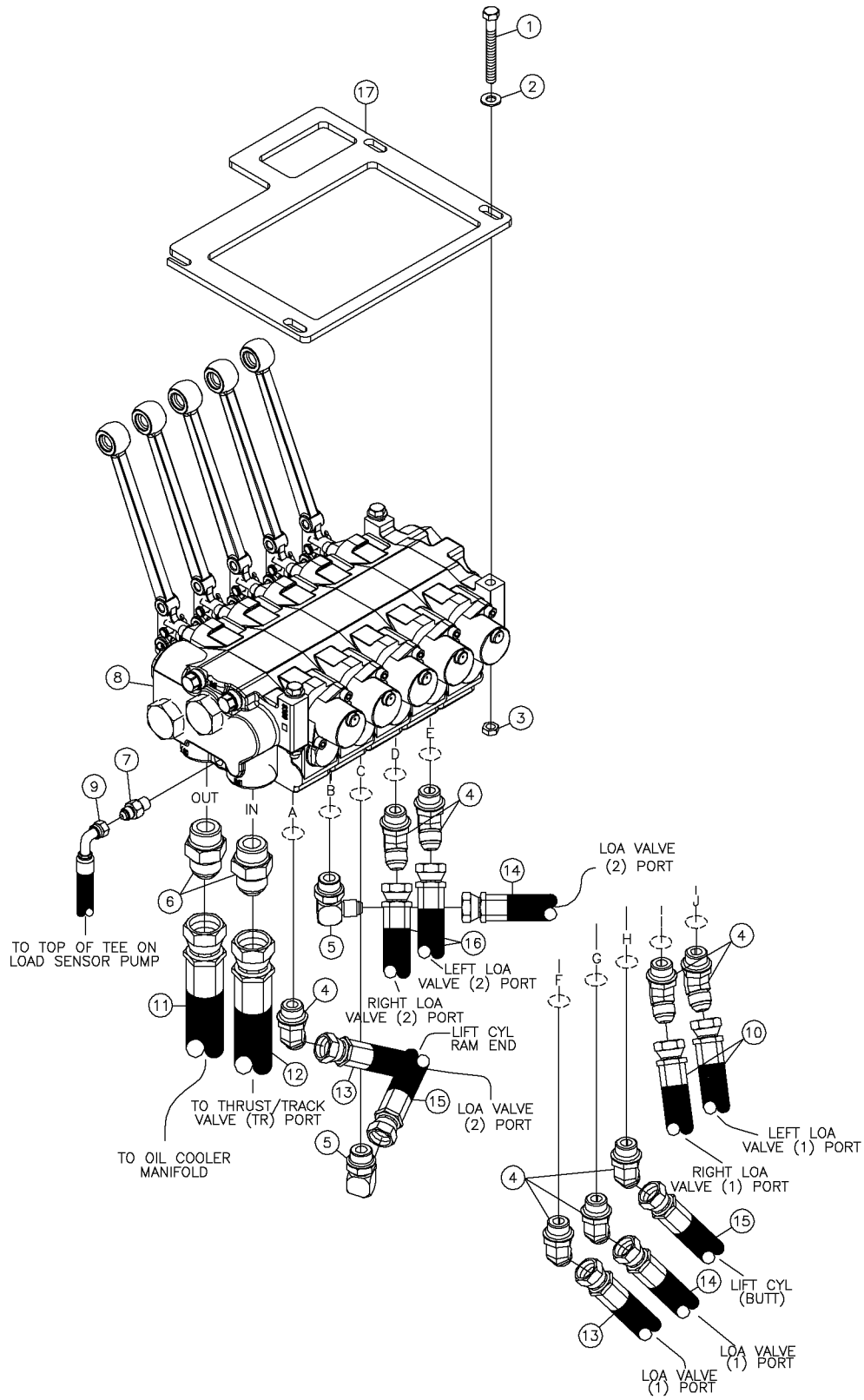




## Control Valve Fig 5-5r02

REF. NO.	*	PART NO.	DESCRIPTION	QTY.	REMARKS
		Revision Date	March, 2006		Update In Parts List.
1		238212001	BOLT - 5/16-18 X 3 HEX GRADE 8	2	
2		235714001	WASHER - FLATSTRL - .31 - .34 X .69 - .06-YZ-A325	2	
3		235741001	NUT - HEX - .31 - 18 - GR8 - YZ	2	
4		53834001	#8M O-RING-#8M JIC 45 DEG.	8	
5		57954001	FITTING-8M O-RING X 6M JIC 90 DEGS	2	
6		53828001	#12M O-RING-#12M JIC ST.	2	
7		60908001	FITTING-4MX4M JIC STR ADAPTER	1	
8		287530001	VALVE - TRANSPORT	1	Breakdown Fig 12-1 Thru 12-4
9		53843505	HOSE-1/4X96 4FSJICST/4FSJC90	1	
10		53844157	HOSE-1/2X16 8FS JIC 3000 PSI	2	
11		53845661	HOSE-3/4X34 12FS JIC 12FS 90DE	1	
12		53845597	HOSE-3/4X68 12FS JIC 3000 PSI	1	
13		296277606	HOSE-HYD-.38X170-6FSJ-ST/ST-3000PSI-M3K-	2	
14		296277300	HOSE-HYD-.38X14-6FSJ-ST/ST-3000PSI-M3K	2	
15		296277600	HOSE-HYD..38X47-6FSJ-ST/45-3000PSI-M3K-	2	
16		53844483	HOSE-1/2X13" 8FS JIC 3000 PSI	2	
17		296278515	BRACKET - GREASER MOUNT	1	

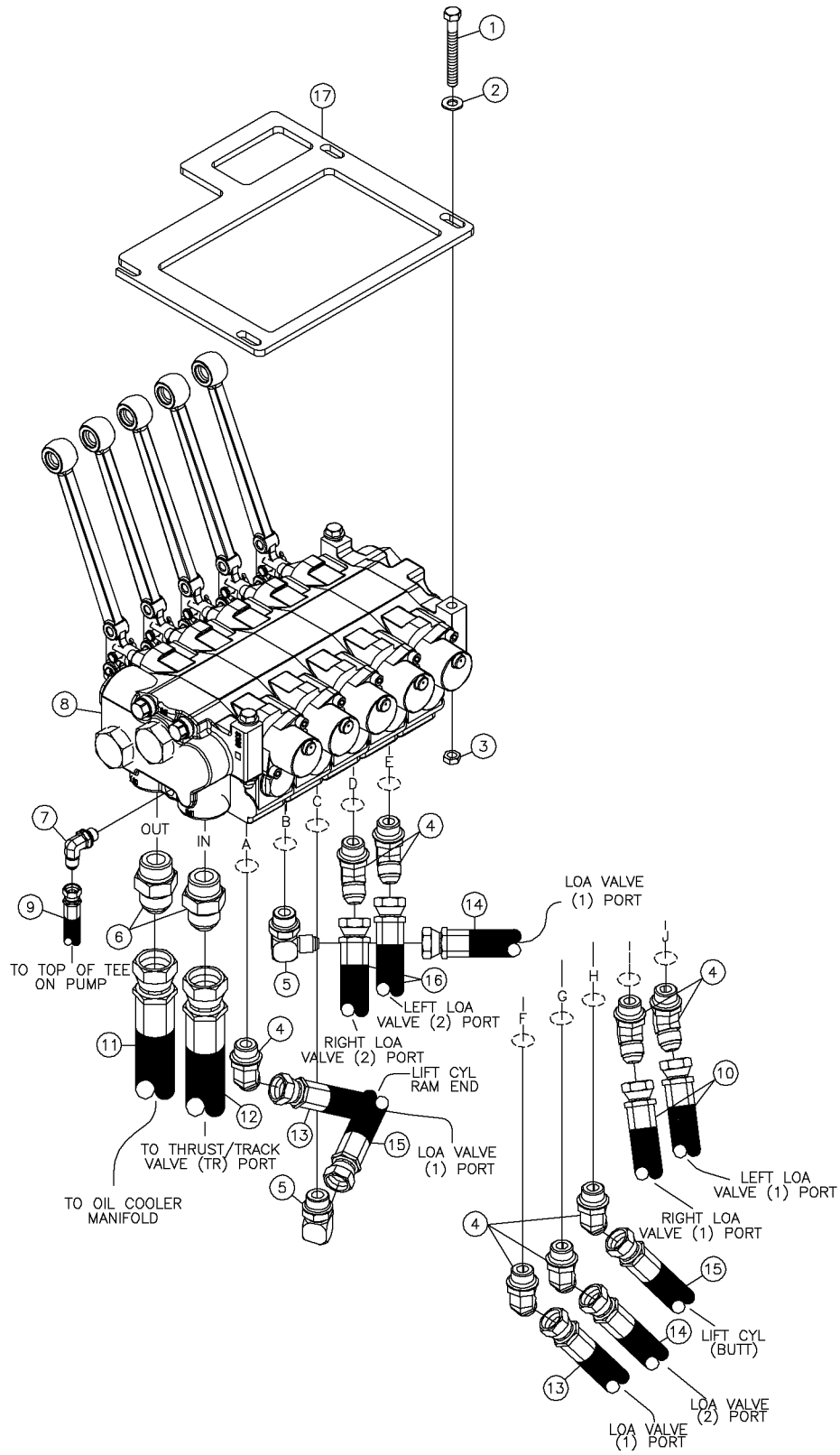
Control Valve Fig 5-5r01



## Control Valve Fig 5-5r01

REF. NO.	*	PART NO.	DESCRIPTION	QTY.	REMARKS
		Revision Date	March, 2005		Update In Illustration & Parts List.
1		238212001	BOLT - 5/16-18 X 3 HEX GRADE 8	2	
2		235714001	WASHER - FLATSTRL - .31 - .34 X .69 - .06-YZ-A325	2	
3		235741001	NUT - HEX - .31 - 18 - GR8 - YZ	2	
4		53834001	#8M O-RING-#8M JIC 45 DEG.	8	
5		57954001	FITTING-8M O-RING X 6M JIC 90 DEGS	2	
6		53828001	#12M O-RING-#12M JIC ST.	2	
7		60908001	FITTING-4MX4M JIC STR ADAPTER	1	
8		287530001	VALVE - TRANSPORT	1	Breakdown Fig 12-1 Thru 12-4
9		53843505	HOSE-1/4X96 4FSJICST/4FSJC90	1	
10		53844157	HOSE-1/2X16 8FS JIC 3000 PSI	2	
11		53845581	HOSE-3/4X34 12FS JIC 3000 PSI	1	
12		53845597	HOSE-3/4X68 12FS JIC 3000 PSI	1	
13		296277606	HOSE-HYD-.38X170-6FSJ-ST/ST-3000PSI-M3K-	2	
14		296277300	HOSE-HYD-.38X14-6FSJ-ST/ST-3000PSI-M3K	2	
15		296277600	HOSE-HYD..38X47-6FSJ-ST/45-3000PSI-M3K-	2	
16		53844483	HOSE-1/2X13" 8FS JIC 3000 PSI	2	
17		296278515	BRACKET - GREASER MOUNT	1	

Control Valve Fig 5-5



## Control Valve Fig 5-5

REF. NO.	*	PART NO.	DESCRIPTION	QTY.	REMARKS
1		238212001	BOLT - 5/16-18 X 3 HEX GRADE 8	2	
2		235714001	WASHER - FLATSTRL - .31 - .34 X .69 - .06-YZ-A325	2	
3		235741001	NUT - HEX - .31 - 18 - GR8 - YZ	2	
4		53834001	#8M O-RING-#8M JIC 45 DEG.	8	
5		57954001	FITTING-8M O-RING X 6M JIC 90 DEGS	2	
6		53828001	#12M O-RING-#12M JIC ST.	2	
7		59423001	FIT-4M JICX4M ADJ.90 DEG.ELBOW	1	
8		287530001	VALVE - TRANSPORT	1	Breakdown Fig 12-1 Thru 12-4
9		53843507	HOSE-1/4X98 4FSJICST/4FSJC90	1	
10		53844157	HOSE-1/2X16 8FS JIC 3000 PSI	2	
11		53845661	HOSE-3/4X34 12FS JIC 12FS 90DE	1	
12		53845597	HOSE-3/4X68 12FS JIC 3000 PSI	1	
13		296277606	HOSE-HYD-.38X170-6FSJ-ST/ST-3000PSI-M3K-	2	
14		296277607	HOSE-HYD-.38X160-6FSJ-ST/ST-3000PSI-M3K	2	
15		296277600	HOSE-HYD..38X47-6FSJ-ST/45-3000PSI-M3K-	2	
16		53844483	HOSE-1/2X13" 8FS JIC 3000 PSI	2	
17		296278515	BRACKET - GREASER MOUNT	1	

Speed Control Box (S/N 615-) Fig 5-5x01

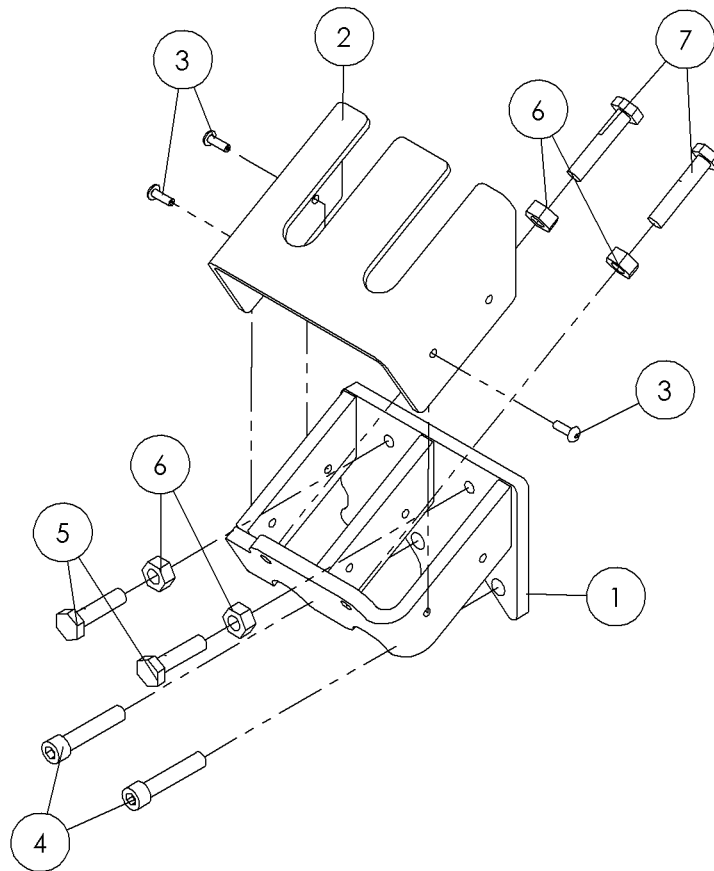
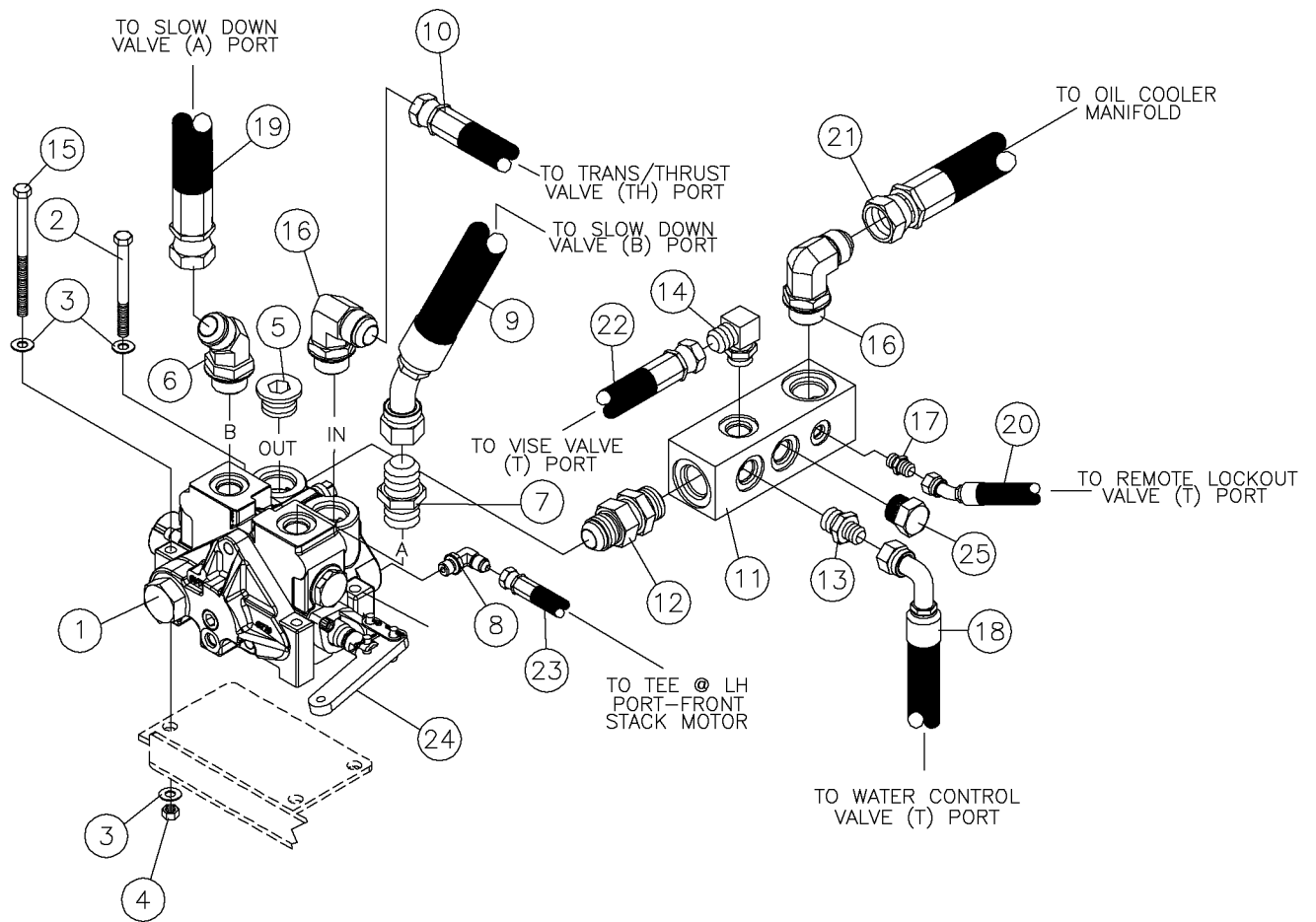


Illustration No. 296293766

## Speed Control Box (S/N 615-) Fig 5-5x01

REF. NO.	*	PART NO.	DESCRIPTION	QTY.	REMARKS
		Revision Date	August, 2006		Addition To Manual
1		296293755	SPEED CONTROL WELDMENT	1	
2		296293757	PLATE - COVER	1	
3		547001-1402	POP RIVET - SS44D	3	
4		5544012	SCREW-SHCS-.25-20X1.25-GR8-PLN	2	
5		235735001	SCREW-HCS-.25-20X1.00-GR8-YZ	2	
6		235732001	NUT-HEX-.25-20-GR8-YZ	4	
7		250008001	SCREW-HCS-.25-20X1.25-GR8-YZ	2	

Thrust Valve-Manifold (S/N 568-) Fig 5-6r04

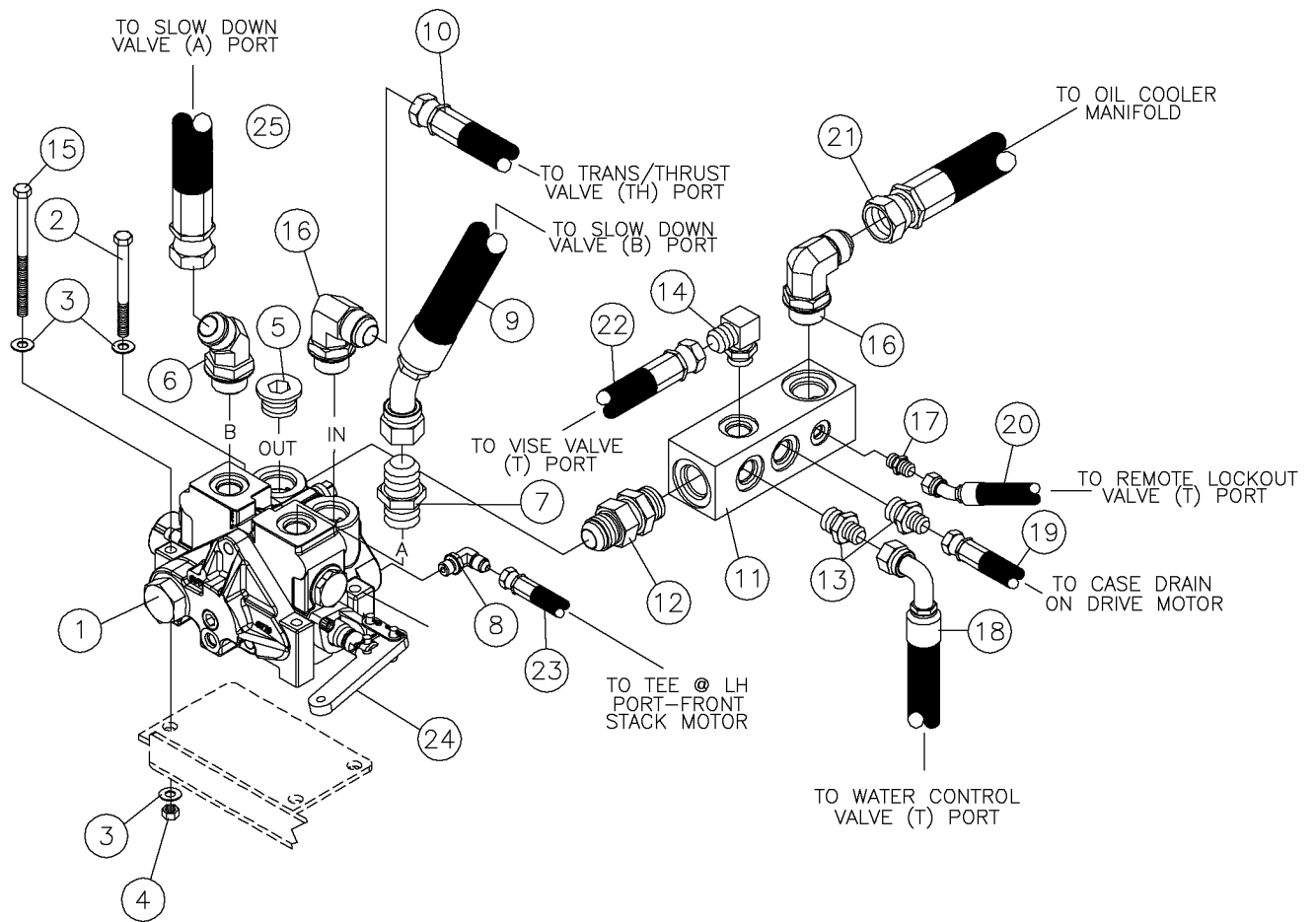




## Thrust Valve-Manifold (S/N 568-) Fig 5-6r04

REF. NO.	*	PART NO.	DESCRIPTION	QTY.	REMARKS
		Revision Date	October, 2007		Change Hose
1		296273473	VALVE - SINGLE SECTION THRUST	1	Breakdown Fig. 12-19
2		250502001	BOLT 5/16-18 X 2 3/4"GR8 HEX Y	3	
3		235714001	WASHER - FLATSTRL - .31 - .34 X .69 - .06-YZ-A325	6	
4		235741001	NUT - HEX - .31 - 18 - GR8 -YZ	3	
5		289768001	PLUG, #12 ORB HHP	1	
6		60718001	FITTING-45-12MJ-12MORBA	1	
7		60910001	10MX12M JIC ST.ADAPTER	1	
8		59423001	FIT-4M JICX4M ADJ.90 DEG.ELBOW	1	
9		296277597	HOSE-HYD-.75X110-12FSJ-ST/45-4000PSI M4K	1	
10		296277704	HOSE-HYD-.75X12-12FSJ-ST/45-3000PSI-M3K	1	
11		296277523	MANIFOLD - RETURN	1	
12		712001	12 M HEX NIPPLE	1	
13		60247001	FITTING - 8M O-RING X 6M JIC ST.	1	
14		57954001	FITTING-8M O-RING X 6M JIC 90 DEGS	1	
15		351032	5/16-18X3 1/4 GD 5	1	
16		59410001	FITTING-90-12MJ-12MORBA	2	
17		60908001	FITTING-4MX4M JIC STR ADAPTER	1	
18		296030001	HOSE-HYD 1/2X19 8FSJ ST/90 3000PSI	1	
19		298277705	HOSE-HYD-.75X112-12FSJ-ST/45-4000PSI M4K	1	
20		53843647	HOSE-1/4X12 4FS JIC 4FS JIC 45	1	
21	*	53845005	HOSE-3/4X48 12FS JIC (100R4)	1	
22		53844011	HOSE-1/2X24 8FS JIC (100R2)	1	
23		53843681	HOSE-1/4X11 4FSJIC-4FSJIC 90	1	
24		296277662	LINK - VALVE	1	
25		56218001	FITTING - PLUG - 8MORB - HEX	1	(S/N 568-)

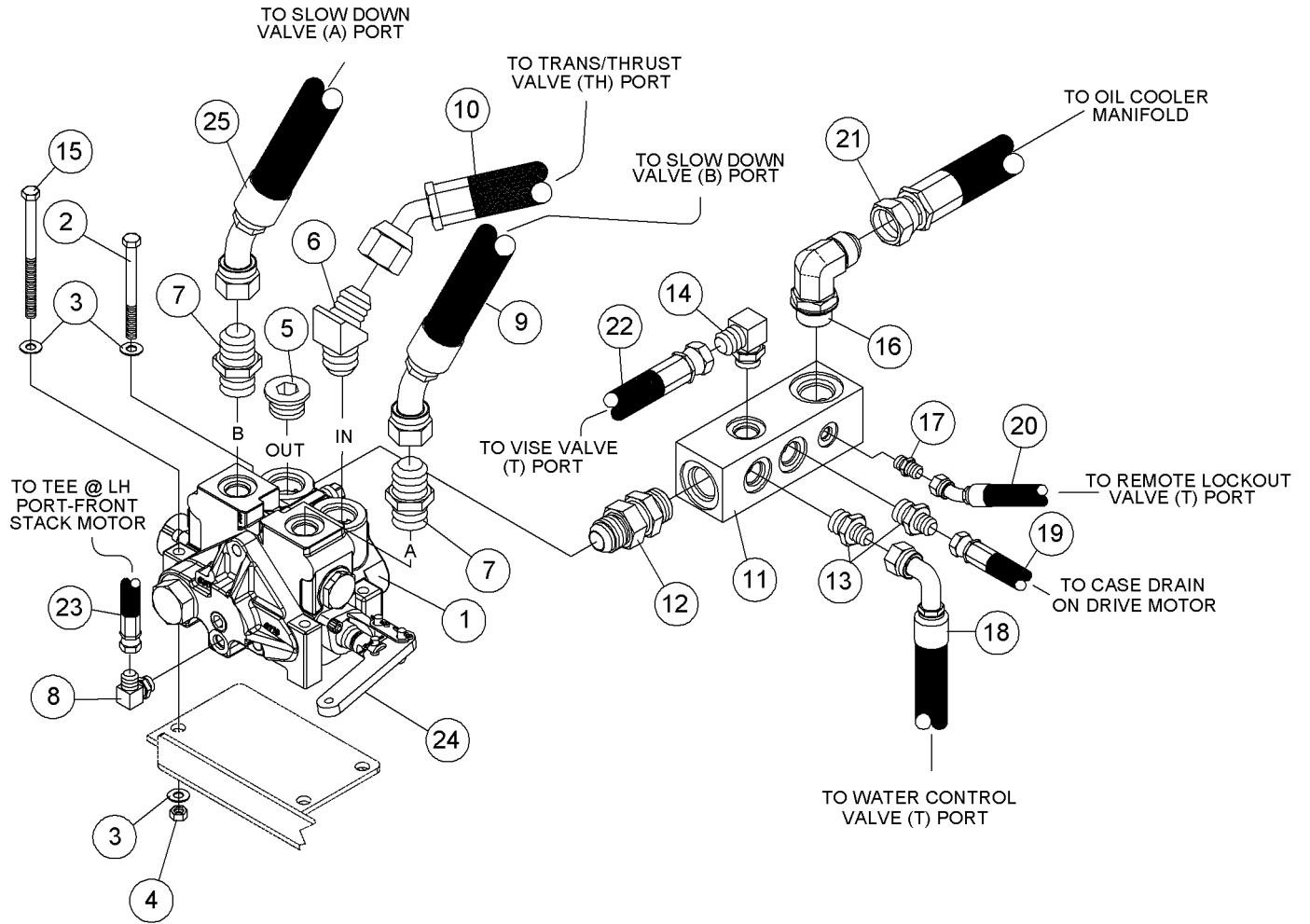
Thrust Valve-Manifold Fig 5-6r03



## Thrust Valve-Manifold Fig 5-6r03

REF. NO.	*	PART NO.	DESCRIPTION	QTY.	REMARKS
		Revision Date	June, 2006		Update In Illustration & Parts List.
1		296273473	VALVE - SINGLE SECTION THRUST	1	Breakdown Fig. 12-19
2		250502001	BOLT 5/16-18 X 2 3/4"GR8 HEX Y	3	
3		235714001	WASHER - FLATSTRL - .31 - .34 X .69 - .06-YZ-A325	6	
4		235741001	NUT - HEX - .31 - 18 - GR8 -YZ	3	
5		289768001	PLUG, #12 ORB HHP	1	
6		60718001	FITTING-45-12MJ-12MORBA	1	
7		60910001	10MX12M JIC ST.ADAPTER	1	
8		59423001	FIT-4M JICX4M ADJ.90 DEG.ELBOW	1	
9		296277597	HOSE-HYD-.75X110-12FSJ-ST/45-4000PSI M4K	1	
10		296277704	HOSE-HYD-.75X12-12FSJ-ST/45-3000PSI-M3K	1	
11		296277523	MANIFOLD - RETURN	1	
12		712001	12 M HEX NIPPLE	1	
13		60247001	FITTING - 8M O-RING X 6M JIC ST.	2	
14		57954001	FITTING-8M O-RING X 6M JIC 90 DEGS	1	
15		351032	5/16-18X3 1/4 GD 5	1	
16		59410001	FITTING-90-12MJ-12MORBA	2	
17		60908001	FITTING-4MX4M JIC STR ADAPTER	1	
18		296030001	HOSE-HYD 1/2X19 8FSJ ST/90 3000PSI	1	
19		296277593	HOSE-HYD-.38X140-6FSJ-ST/ST-2250PSI-100R	1	
20		53843647	HOSE-1/4X12 4FS JIC 4FS JIC 45	1	
21		53845133	HOSE-3/4X50 12FS JIC (100R4)	1	
22		53844011	HOSE-1/2X24 8FS JIC (100R2)	1	
23		53843681	HOSE-1/4X11 4FSJIC-4FSJIC 90	1	
24		296277662	LINK - VALVE	1	
25		298277705	HOSE-HYD-.75X112-12FSJ-ST/45-4000PSI M4K	1	

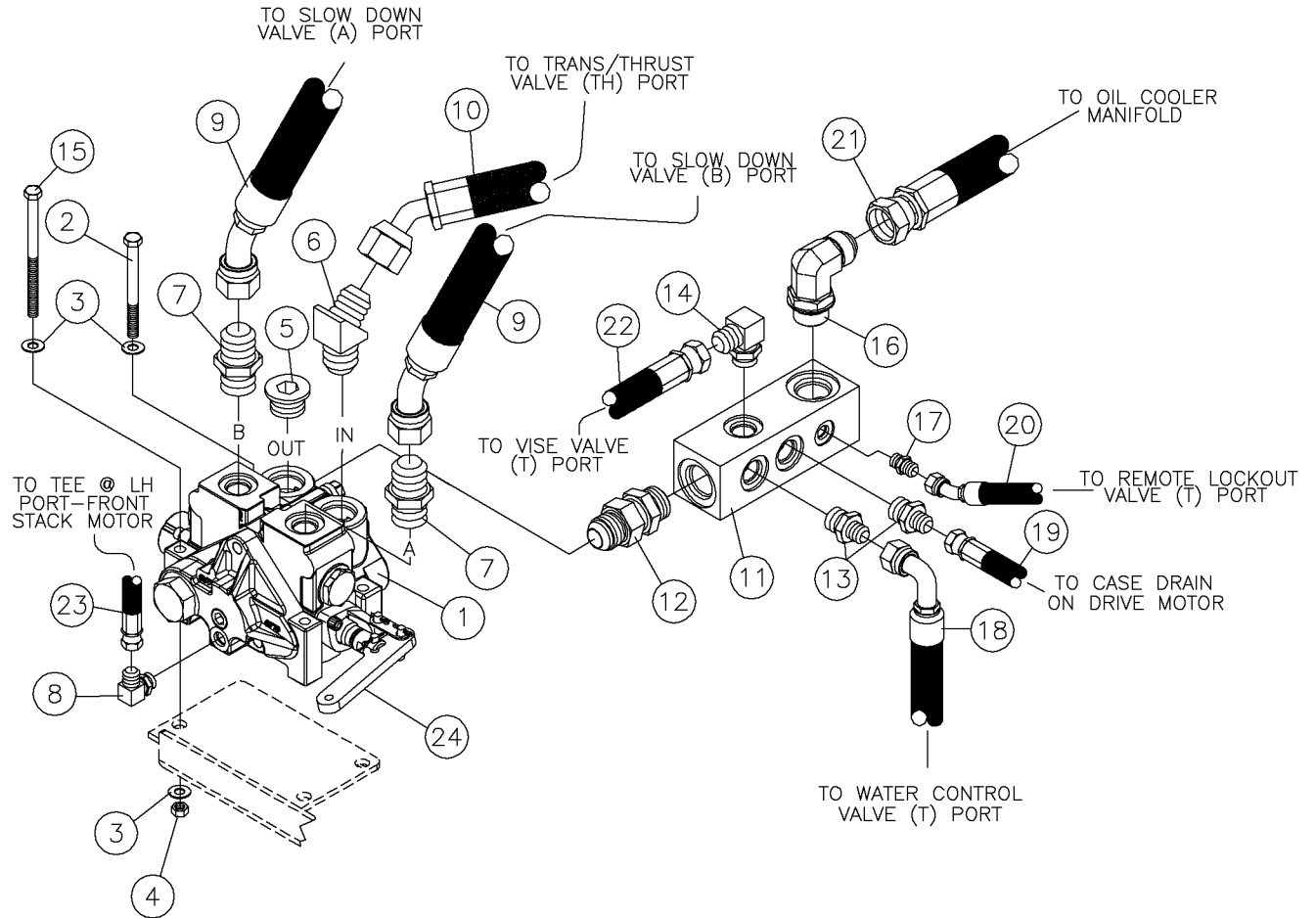
Thrust Valve-Manifold Fig 5-6r02



## Thrust Valve-Manifold Fig 5-6r02

REF. NO.	*	PART NO.	DESCRIPTION	QTY.	REMARKS
		Revision Date	October, 2005		Update In Illus. & Parts List.
1		296273473	VALVE - SINGLE SECTION THRUST	1	Breakdown Fig. 12-19
2		250502001	BOLT 5/16-18 X 2 3/4"GR8 HEX Y	3	
3		235714001	WASHER - FLATSTRL - .31 - .34 X .69 - .06-YZ-A325	6	
4		235741001	NUT - HEX - .31 - 18 - GR8 -YZ	3	
5		289768001	PLUG, #12 ORB HHP	1	
6		67552001	10MX12M JIC 45 DEG.	1	
7		60910001	10MX12M JIC ST.ADAPTER	2	
8		59423001	FIT-4M JICX4M ADJ.90 DEG.ELBOW	1	
9	*	296277597	HOSE-HYD-.75X110-12FSJ-ST/45-4000PSI M4K	1	Qty Change
10		296277704	HOSE-HYD-.75X12-12FSJ-ST/45-3000PSI-M3K	1	
11		296277523	MANIFOLD - RETURN	1	
12		712001	12 M HEX NIPPLE	1	
13		60247001	FITTING - 8M O-RING X 6M JIC ST.	2	
14		57954001	FITTING-8M O-RING X 6M JIC 90 DEGS	1	
15		351032	5/16-18X3 1/4 GD 5	1	
16		59410001	FITTING-90-12MJ-12MORBA	1	
17		60908001	FITTING-4MX4M JIC STR ADAPTER	1	
18		296030001	HOSE-HYD 1/2X19 8FSJ ST/90 3000PSI	1	
19		296277593	HOSE-HYD-.38X140-6FSJ-ST/ST-2250PSI-100R	1	
20		53843647	HOSE-1/4X12 4FS JIC 4FS JIC 45	1	
21		53845195	HOSE-3/4X47 12FS JIC 100R4	1	
22		296030001	HOSE-HYD 1/2X19 8FSJ ST/90 3000PSI	1	
23		53843681	HOSE-1/4X11 4FSJIC-4FSJIC 90	1	
24		296277662	LINK - VALVE	1	
25	*	298277705	HOSE-HYD-.75X112-12FSJ-ST/45-4000PSI M4K	1	PN Added

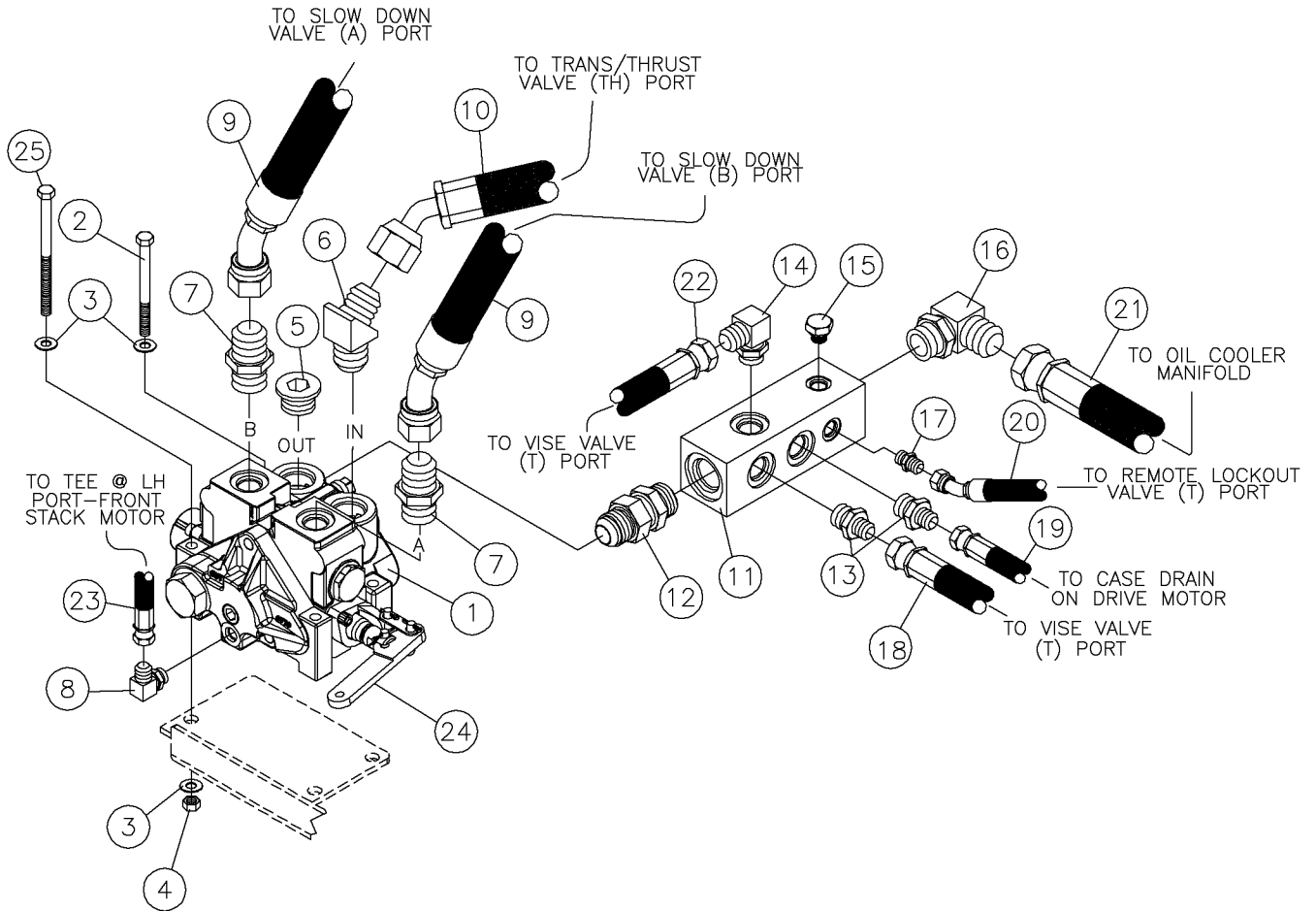
Thrust Valve-Manifold Fig 5-6r01



## Thrust Valve-Manifold Fig 5-6r01

REF. NO.	*	PART NO.	DESCRIPTION	QTY.	REMARKS
		Revision Date	March, 2005		Update In Illustration & Parts List.
1		296273473	VALVE - SINGLE SECTION THRUST	1	Breakdown Fig. 12-19
2		250502001	BOLT 5/16-18 X 2 3/4"GR8 HEX Y	3	
3		235714001	WASHER - FLATSTRL - .31 - .34 X .69 - .06-YZ-A325	6	
4		235741001	NUT - HEX - .31 - 18 - GR8 -YZ	3	
5		289768001	PLUG, #12 ORB HHP	1	
6		67552001	10MX12M JIC 45 DEG.	1	
7		60910001	10MX12M JIC ST.ADAPTER	2	
8		59423001	FIT-4M JICX4M ADJ.90 DEG.ELBOW	1	
9		296277597	HOSE-HYD-.75X110-12FSJ-ST/45-4000PSI M4K	2	
10		296277704	HOSE-HYD-.75X12-12FSJ-ST/45-3000PSI-M3K	1	
11		296277523	MANIFOLD - RETURN	1	
12		712001	12 M HEX NIPPLE	1	
13		60247001	FITTING - 8M O-RING X 6M JIC ST.	2	
14		57954001	FITTING-8M O-RING X 6M JIC 90 DEGS	1	
15		351032	5/16-18X3 1/4 GD 5	1	
16		59410001	FITTING-90-12MJ-12MORBA	1	
17		60908001	FITTING-4MX4M JIC STR ADAPTER	1	
18		296030001	HOSE-HYD 1/2X19 8FSJ ST/90 3000PSI	1	
19		296277593	HOSE-HYD-.38X140-6FSJ-ST/ST-2250PSI-100R	1	
20		53843647	HOSE-1/4X12 4FS JIC 4FS JIC 45	1	
21		53845195	HOSE-3/4X47 12FS JIC 100R4	1	
22		296030001	HOSE-HYD 1/2X19 8FSJ ST/90 3000PSI	1	
23		53843681	HOSE-1/4X11 4FSJIC-4FSJIC 90	1	
24		296277662	LINK - VALVE	1	

Thrust Valve-Manifold Fig 5-6





## Thrust Valve-Manifold Fig 5-6

REF. NO.	*	PART NO.	DESCRIPTION	QTY.	REMARKS
1		296273473	VALVE - SINGLE SECTION THRUST	1	Breakdown Fig. 12-19
2		250502001	BOLT 5/16-18 X 2 3/4"GR8 HEX Y	3	
3		235714001	WASHER - FLATSTRL - .31 - .34 X .69 - .06-YZ-A325	6	
4		235741001	NUT - HEX - .31 - 18 - GR8 -YZ	3	
5		289768001	PLUG, #12 ORB HHP	1	
6		67552001	10MX12M JIC 45 DEG.	1	
7		60910001	10MX12M JIC ST.ADAPTER	2	
8		59423001	FIT-4M JICX4M ADJ.90 DEG.ELBOW	1	
9		296277597	HOSE-HYD-.75X110-12FSJ-ST/45-4000PSI M4K	2	
10		296277612	HOSE-HYD-.75X12-12FSJ-ST/45-3000PSI-M3K	1	
11		296277523	MANIFOLD - RETURN	1	
12		712001	12 M HEX NIPPLE	1	
13		60247001	FITTING - 8M O-RING X 6M JIC ST.	2	
14		57954001	FITTING-8M O-RING X 6M JIC 90 DEGS	1	
15		67263001	FITTING - PLUG - 4MORB - HEX	1	
16		59410001	FITTING-90-12MJ-12MORBA	1	
17		60908001	FITTING-4MX4M JIC STR ADAPTER	1	
18		53844093	HOSE-1/2X21 8FS JIC (100R2)	1	
19		296277593	HOSE-HYD-.38X140-6FSJ-ST/ST-2250PSI-100R	1	
20		53843647	HOSE-1/4X12 4FS JIC 4FS JIC 45	1	
21		53845195	HOSE-3/4X47 12FS JIC 100R4	1	
22		296030001	HOSE-HYD 1/2X19 8FSJ ST/90 3000PSI	1	
23		53843681	HOSE-1/4X11 4FSJIC-4FSJIC 90	1	
24		296276677	LINK - VALVE	1	
25		351032	5/16-18X3 1/4 GD 5	1	

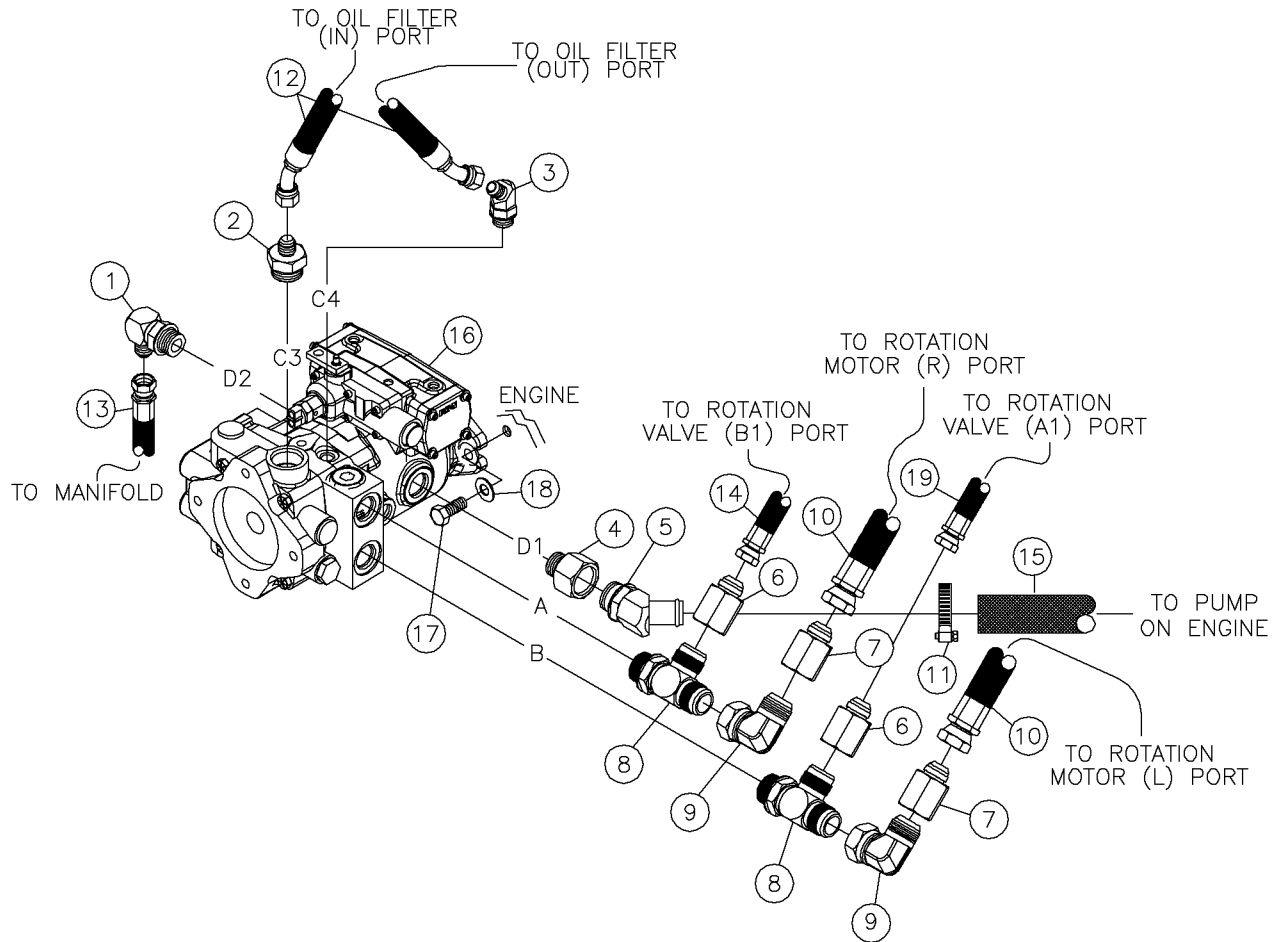
Rotation Pump (DELETED) Fig 5-7r02

FIGURE DELETED DUE TO UPDATE

## Rotation Pump (DELETED) Fig 5-7r02

REF. NO.	*	PART NO.	DESCRIPTION	QTY.	REMARKS
		Revision Date	March, 2006		Deleted From Manual
			FIGURE DELETED DUE TO UPDATE		

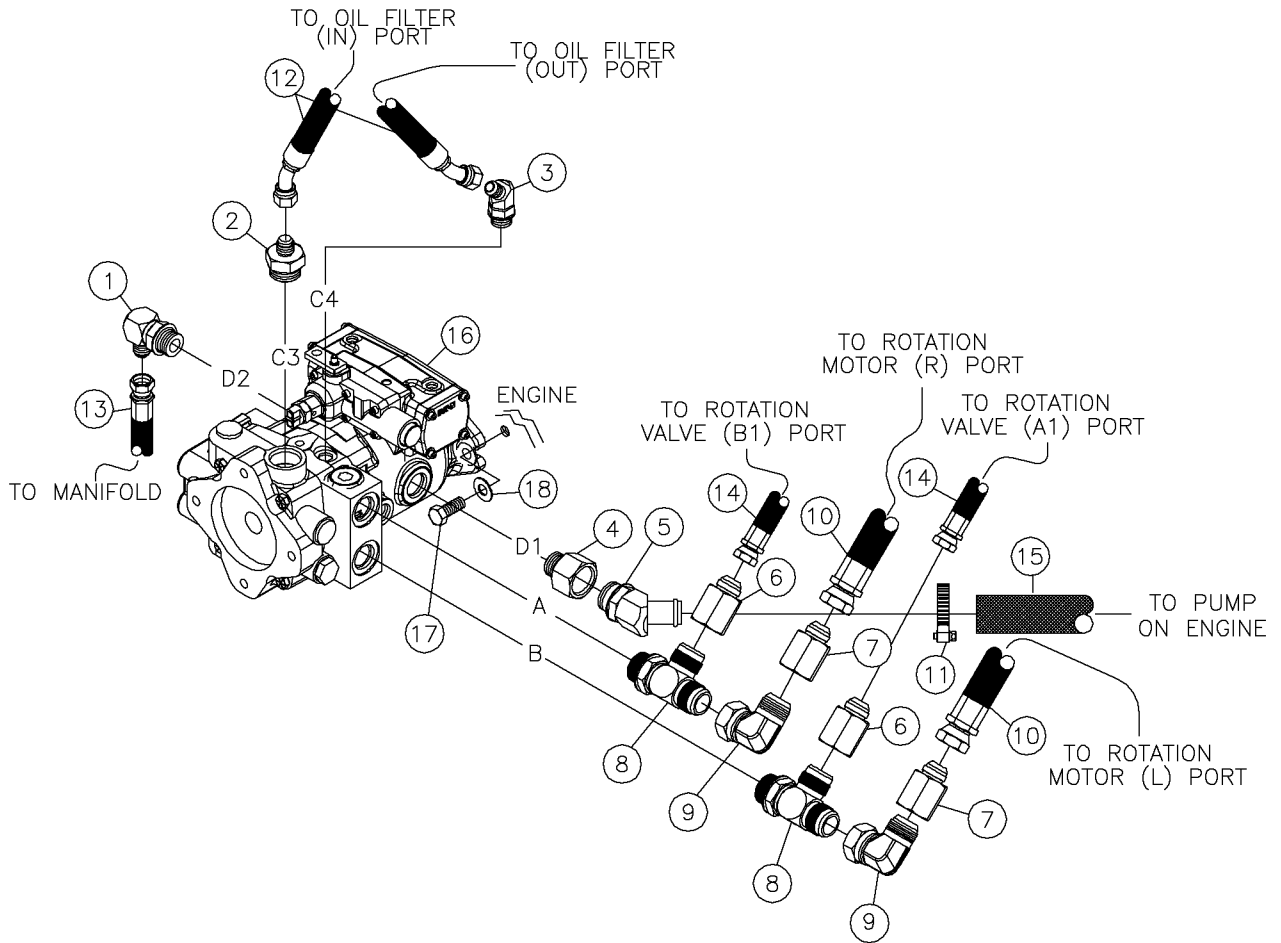
Rotation Pump Fig 5-7r01



## Rotation Pump Fig 5-7r01

REF. NO.	*	PART NO.	DESCRIPTION	QTY.	REMARKS
		Revision Date	March, 2005		Update In Illustration & Parts List.
1		57949001	FITTING-12MX8M JIC 90 DEG. EL.	1	
2		100851001	FITTING-16MORINGX8MJIC STR.	1	
3		59400001	8M JICX10M ADJ. 45 DEG.ELBOW	1	
4		96076001	FIT.-12MX16F O-RING	1	
5		115138001	FITTING-16M O'RING X 1"BARB45D	1	
6		70028001	FITTING-STR-12MJ-16FJ	2	
7		81581001	FITTING-8MX16F REDUCER	2	
8		94565001	TEE-16MJICX16MOR RUNX16MJIC	2	
9		60905001	16M JICX16FS JIC 90 DEG ELBOW	2	
10		296277599	HOSE-HYD.75X124-12FSJ-ST/ST-4000PSI-M4K-	2	
11		2595009	CLAMP-1 1/4 HOSE #7701164	1	
12		53844425	HOSE-1/2X22 8FSJIC-8FSJIC 45	2	
13		53844483	HOSE-1/2X13" 8FS JIC 3000 PSI	1	
14		296275098	HOSE-HYD-.50X12-8FSJ-ST/90-3500PSI-100R2	1	
15		296277615	HOSE - SUCTION - 1.00X16-200PSI	1	
16		296276759	ROTATION PUMP	1	Breakdown Fig. 12-29
17		235737001	BOLT-1/2-13X1 1/4 GR8 ZINC PLT	2	
18		485025	WASHER-1/2 FLAT-HARDENED-YZ	2	
19		296275097	HOSE-HYD-.50X18-8FSJ-ST/90-3500PSI-100R2	1	

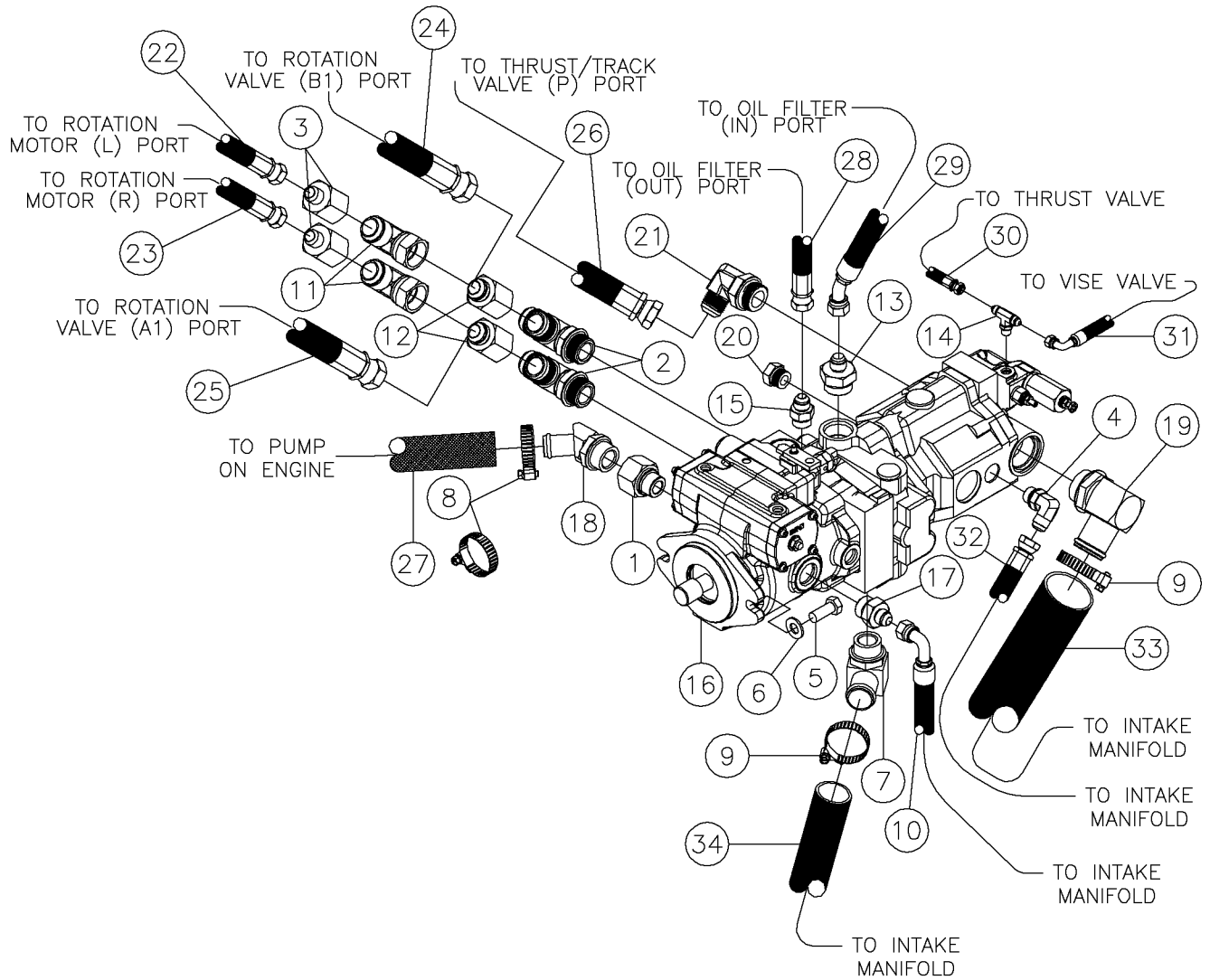
Rotation Pump Fig 5-7



## Rotation Pump Fig 5-7

REF. NO.	*	PART NO.	DESCRIPTION	QTY.	REMARKS
1		57949001	FITTING-12MX8M JIC 90 DEG. EL.	1	
2		100851001	FITTING-16MORINGX8MJIC STR.	1	
3		59400001	8M JICX10M ADJ. 45 DEG.ELBOW	1	
4		96076001	FIT.-12MX16F O-RING	1	
5		115138001	FITTING-16M O'RING X 1"BARB45D	1	
6		70028001	FITTING-STR-12MJ-16FJ	2	
7		81581001	FITTING-8MX16F REDUCER	2	
8		94565001	TEE-16MJICX16MOR RUNX16MJIC	2	
9		60905001	16M JICX16FS JIC 90 DEG ELBOW	2	
10		296277599	HOSE-HYD.75X124-12FSJ-ST/ST-4000PSI-M4K-	2	
11		2595009	CLAMP-1 1/4 HOSE #7701164	1	
12		53844425	HOSE-1/2X22 8FSJIC-8FSJIC 45	2	
13		53844483	HOSE-1/2X13" 8FS JIC 3000 PSI	1	
14		53844093	HOSE-1/2X21 8FS JIC (100R2)	2	
15		296277615	HOSE - SUCTION - 1.00X16-200PSI	1	
16		296273337	PUMP - HYDRO/PFC STACK	1	Breakdown Fig. 12-29
17		235737001	BOLT-1/2-13X1 1/4 GR8 ZINC PLT	2	
18		485025	WASHER-1/2 FLAT-HARDENED-YZ	2	

Load Sensor Pump Fig 5-8r03

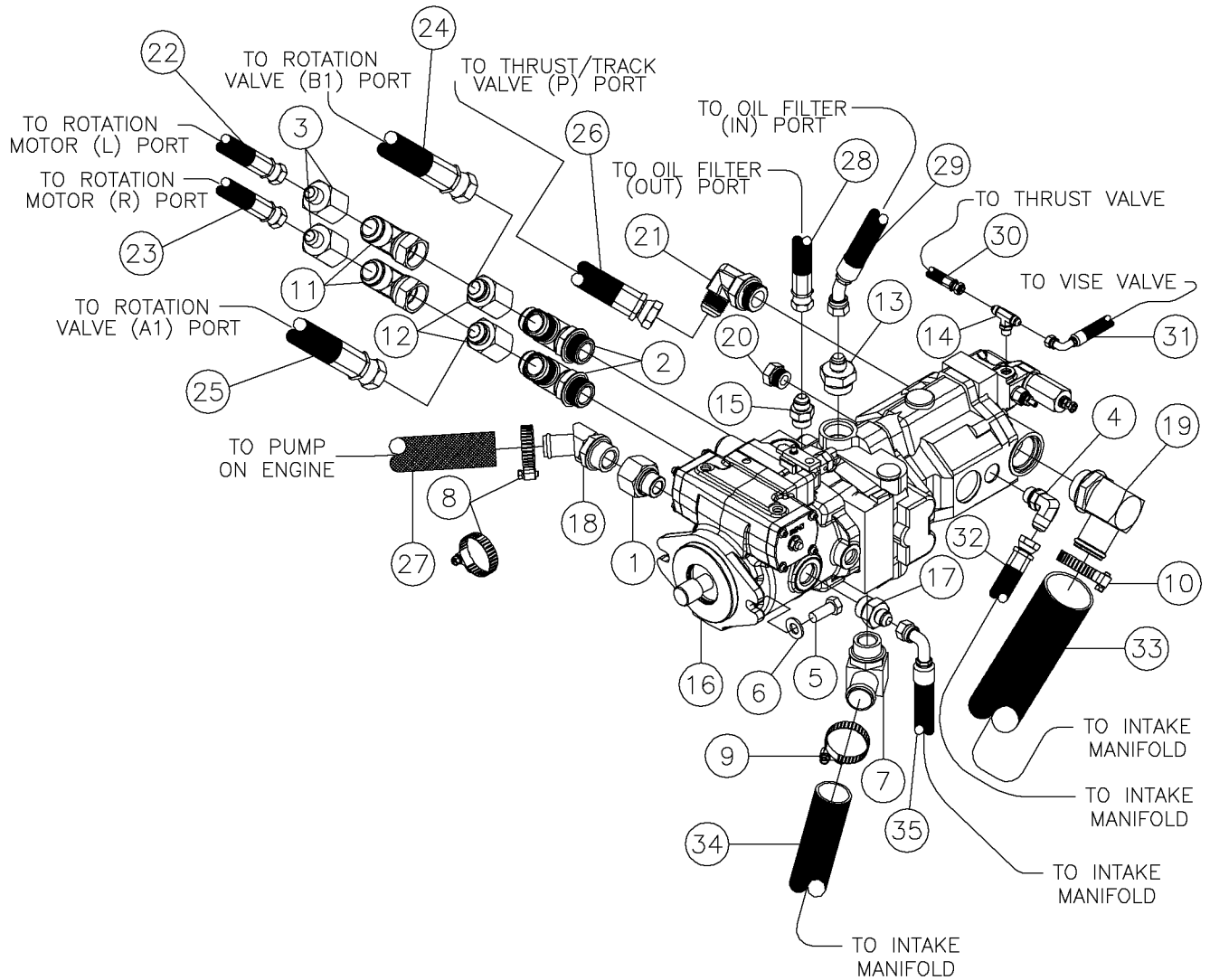




## Load Sensor Pump Fig 5-8r03

REF. NO.	*	PART NO.	DESCRIPTION	QTY.	REMARKS
		Revision Date	November, 2006		Changed Hose Clamps
1		96076001	FIT.-12MX16F O-RING	1	
2		94565001	TEE-16MJICX16MOR RUNX16MJIC	2	
3		81581001	FITTING-8MX16F REDUCER	2	
4		53837001	FITTING - 8M O-RING X 8M JIC 90 DEGREE	1	
5		235737001	BOLT-1/2-13X1 1/4 GR8 ZYC	2	
6		127362001	WASHER-1/2 HARD.FLAT/PLATED	2	
7		600091001	FIT-16 ORNGX1 1/4HOSE BARB 90	1	
8		1580007	HOSE CLAMP - 1 1/2"	2	
9	*	1580009	HOSE CLAMP - 1 3/4"	2	
10		296275097	HOSE-HYD-.50X18-8FSJ-ST/90-3500PSI-100R2	1	
11		60905001	16M JICX16FS JIC 90 DEG ELBOW	2	
12		70028001	FITTING-STR-12MJ-16FJ	2	
13		100851001	FITTING-16MORINGX8MJIC STR.	1	
14		81343001	4M (BCH)X4M JICX4M JIC TEE	1	
15		53826001	#10M O-RING-#8M JIC ST.	1	
16		296284287	PUMP-HYDRO/PFC STACK	1	Breakdown Fig. 12-29 & 12-30
17		53825001	#12M O-RING-#8M JIC ST.	1	
18		115138001	FITTING-16M O'RING X 1"BARB45D	1	
19		904821001	INSERT-20M X 1 1/2"-90 HOSE	1	
20		56218001	FITTING - PLUG - 8MORB - HEX	1	
21		78057001	FITTING-90-12MJ-16MORBA	1	
22		296283370	HOSE-HYD-.75X161-12FSJ-ST/90-4000PSI-M4K	1	
23		296283364	HOSE-HYD-.75X163-12FSJ-ST/ST-4000PSI-M4K	1	
24		296275097	HOSE-HYD-.50X18-8FSJ-ST/90-3500PSI-100R2	1	
25		296277704	HOSE-HYD-.75X12-12FSJ-ST/45-3000PSI-M3K	1	
26		296282346	HOSE-HYD-.75X15.5-12FSJ-ST/ST-3000PSI-M3K	1	
27		296277615	HOSE - SUCTION - 1.00X16-200PSI	1	
28		53844425	HOSE-1/2X22 8FSJIC-8FSJIC 45	1	
29		296275098	HOSE-HYD-.50X12-8FSJ-ST/90-3500PSI-100R2	1	
30		53843523	HOSE-1/4X86 4FS JIC ST/4FSJIC90	1	
31		53843577	HOSE-1/4X16 4FSJICST/4FSJIC90D	1	
32		296282345	HOSE-HYD.-.50X21-8FSJ-ST/ST 3000 PSI	1	
33		296282347	HOSE-SUCTION-1.50X24-2000PSI	1	
34		264707001	HOSE - 1.25 X 13 X 200 PSI	1	

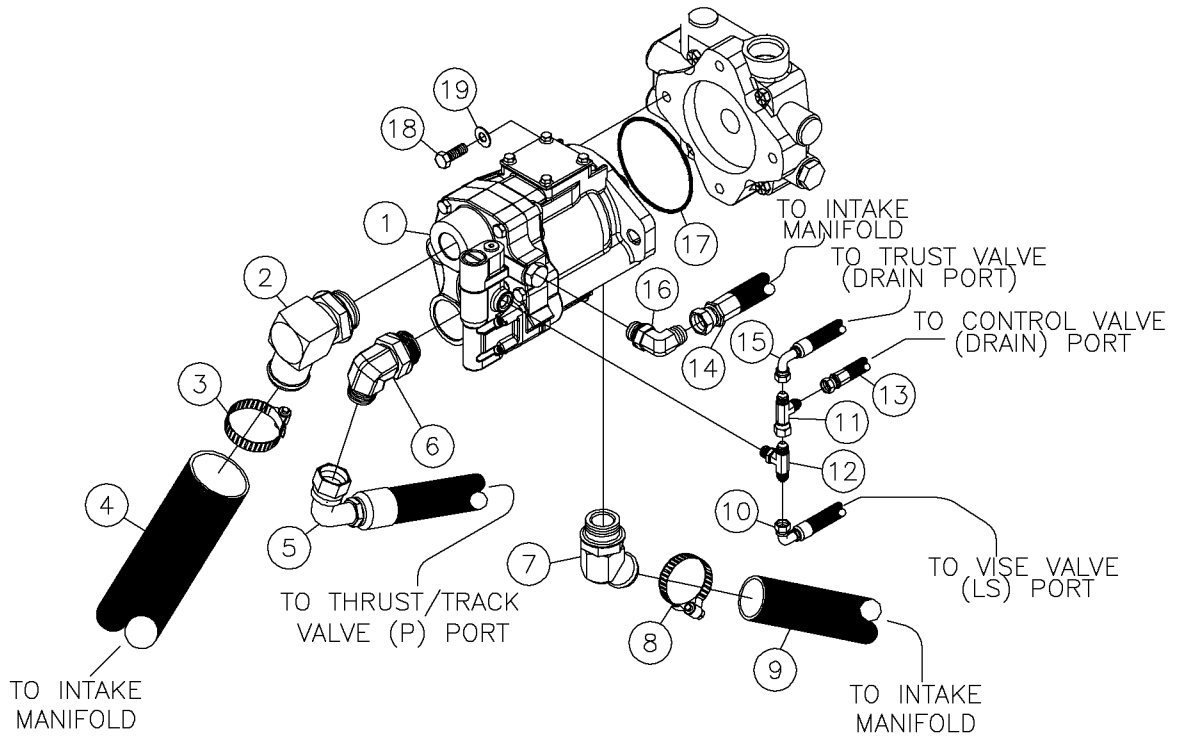
Load Sensor Pump Fig 5-8r02



## Load Sensor Pump Fig 5-8r02

REF. NO.	*	PART NO.	DESCRIPTION	QTY.	REMARKS
		Revision Date	March, 2006		Update In Illustration & Parts List.
1		96076001	FIT.-12MX16F O-RING	1	
2		94565001	TEE-16MJICX16MOR RUNX16MJIC	2	
3		81581001	FITTING-8MX16F REDUCER	2	
4		53837001	FITTING - 8M O-RING X 8M JIC 90 DEGREE	1	
5		235737001	BOLT-1/2-13X1 1/4 GR8 ZYC	2	
6		127362001	WASHER-1/2 HARD.FLAT/PLATED	2	
7		600091001	FIT-16 ORNGX1 1/4HOSE BARB 90	1	
8		1580007	HOSE CLAMP - 1 1/2"	2	
9		1580009	HOSE CLAMP - 1 3/4"	1	
10		1580011	HOSE CLAMP - 2"	1	
11		60905001	16M JICX16FS JIC 90 DEG ELBOW	2	
12		70028001	FITTING-STR-12MJ-16FJ	2	
13		100851001	FITTING-16MORINGX8MJIC STR.	1	
14		81343001	4M (BCH)X4M JICX4M JIC TEE	1	
15		53826001	#10M O-RING-#8M JIC ST.	1	
16		296284287	PUMP-HYDRO/PFC STACK	1	Breakdown Fig. 12-29 & 12-30
17		53825001	#12M O-RING-#8M JIC ST.	1	
18		115138001	FITTING-16M O'RING X 1"BARB45D	1	
19		904821001	INSERT-20M X 1 1/2"-90 HOSE	1	
20		56218001	FITTING - PLUG - 8MORB - HEX	1	
21		78057001	FITTING-90-12MJ-16MORBA	1	
22		296283370	HOSE-HYD-.75X161-12FSJ-ST/90-4000PSI-M4K	1	
23		296283364	HOSE-HYD-.75X163-12FSJ-ST/ST-4000PSI-M4K	1	
24		296275097	HOSE-HYD-.50X18-8FSJ-ST/90-3500PSI-100R2	1	
25		296277704	HOSE-HYD-.75X12-12FSJ-ST/45-3000PSI-M3K	1	
26		236481001	HOSE-1/4X26 4FS JIC ST/90 3000	1	
27		296277615	HOSE - SUCTION - 1.00X16-200PSI	1	
28		53844425	HOSE-1/2X22 8FSJIC-8FSJIC 45	1	
29		296275098	HOSE-HYD-.50X12-8FSJ-ST/90-3500PSI-100R2	1	
30		236481001	HOSE-1/4X26 4FS JIC ST/90 3000	1	
31		296277296	HOSE-HYD-.25X22-4FSJ-ST/90-3000PSI-M3K	1	
32		53844483	HOSE-1/2X13" 8FS JIC 3000 PSI	1	
33		296270758	HOSE - 1 1/2" X 11.50" SUCTION	1	
34		296277595	HOSE-HYD.50X15-8FSJ-ST/90-3000PSI-M3K-BN	1	
35		296283363	HOSE-SUCTION-10X24-100PSI	1	

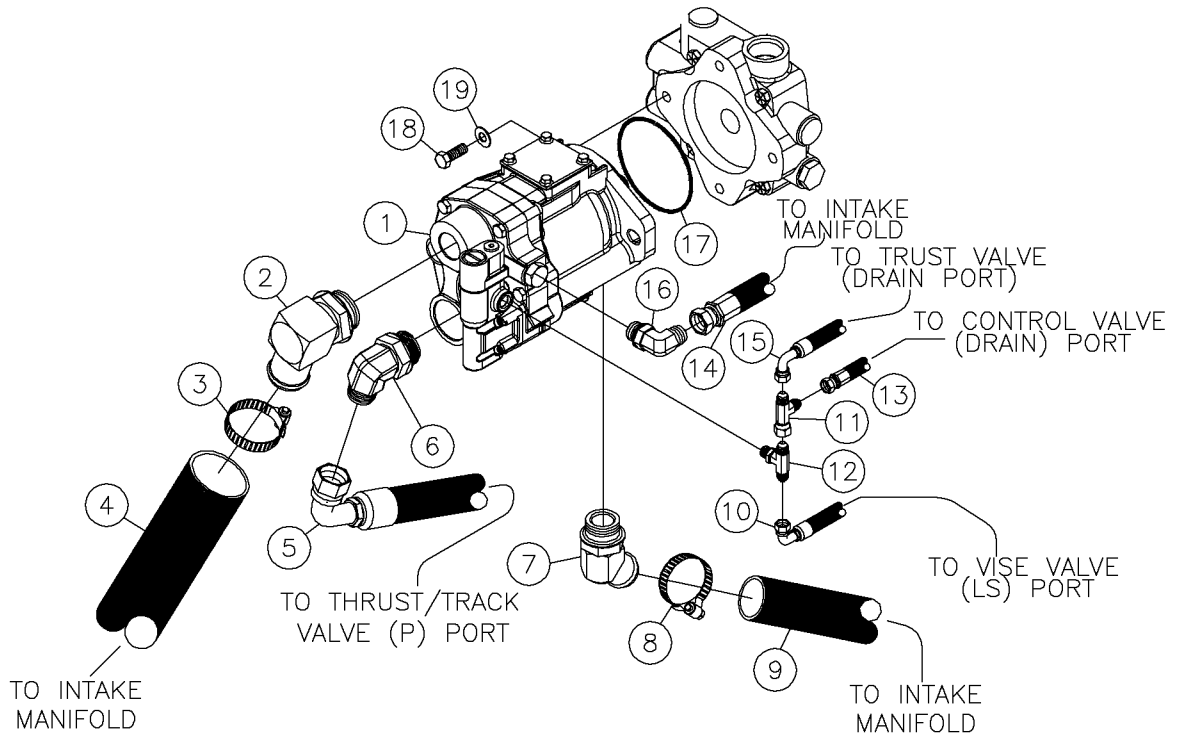
Load Sensor Pump Fig 5-8r01



## Load Sensor Pump Fig 5-8r01

REF. NO.	*	PART NO.	DESCRIPTION	QTY.	REMARKS
		Revision Date	March, 2005		Update In Illustration & Parts List.
1		296276760	LOAD SENSOR PUMP	1	Breakdown Fig. 12-30
2		904821001	INSERT-20M X 1 1/2"-90 HOSE	1	
3		1580011	HOSE CLAMP - 2"	1	
4		296277614	HOSE - SUCTION - 1.50X32-200PSI	1	
5		294594001	HOSE - HYD -.75 X 20 - 12FSJ - ST/90 - 3000PSI	1	
6		78057001	FITTING-90-12MJ-16MORBA	1	
7		231970001	HOSE INSERT-16MORBX1 1/4 45	1	
8		1580009	HOSE CLAMP - 1 3/4"	1	
9		264707001	HOSE - 1.25 X 13 X 200 PSI	1	
10		53843239	HOSE-1/4X26 4FS JIC 3000 PSII	1	
11		60248001	TEE-4M JICX4M JICX4FS JIC	1	
12		81343001	4M (BCH)X4M JICX4M JIC TEE	1	
13		53843505	HOSE-1/4X96 4FSJICST/4FSJC90	1	
14		296067001	HOSE-HYD-.50 X 24 8FSJ ST/ST 3000PSI	1	
15		53843681	HOSE-1/4X11 4FSJIC-4FSJIC 90	1	
16		53837001	FITTING - 8M O-RING X 8M JIC 90 DEGREE	1	
17		296267044	O-RING	1	
18		235621023	CAP SCREW	2	
19		296276761	WASHER	2	

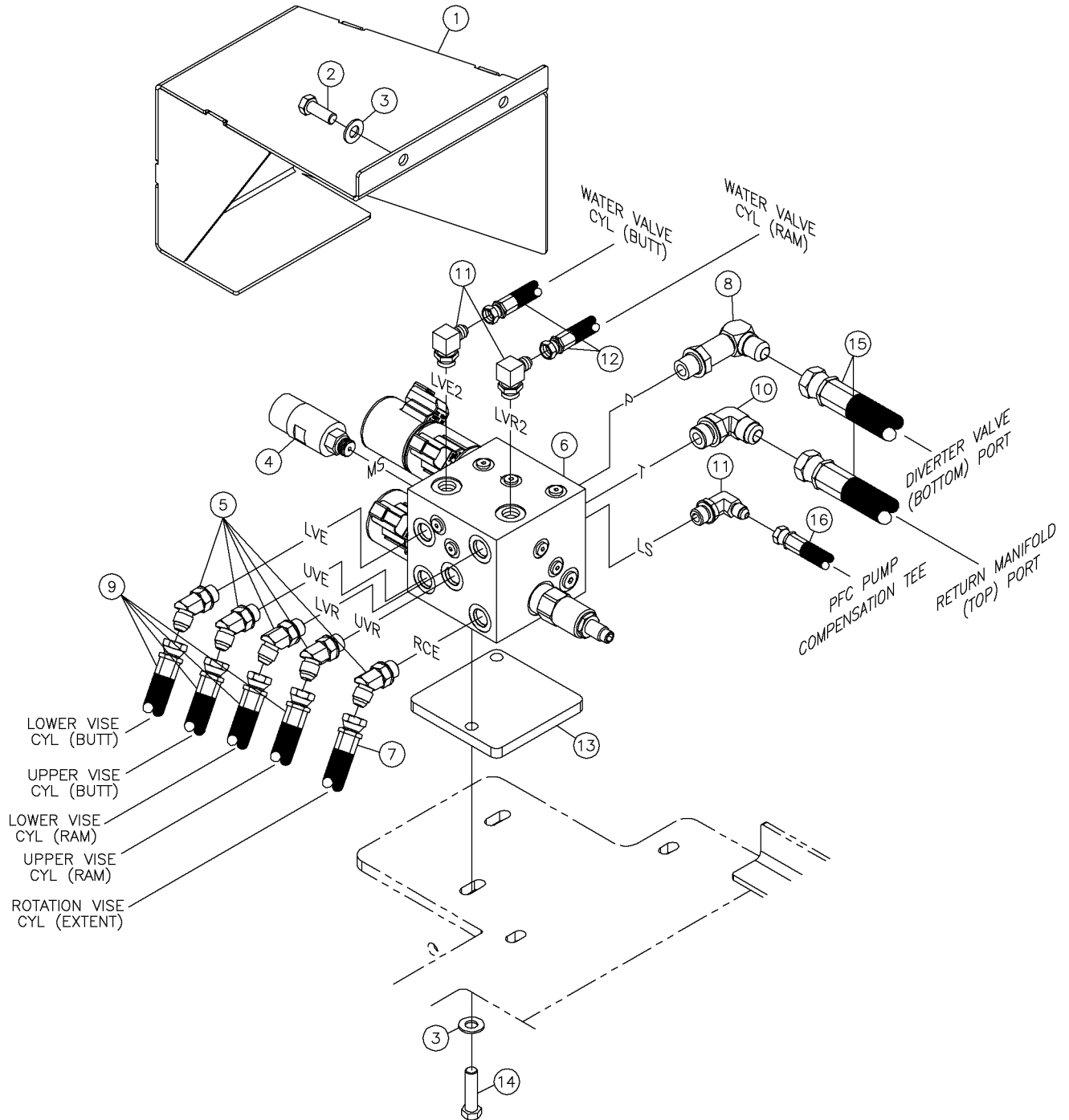
Load Sensor Pump Fig 5-8



## Load Sensor Pump Fig 5-8

REF. NO.	*	PART NO.	DESCRIPTION	QTY.	REMARKS
1		296273337	PUMP - HYDRO/PFC STACK	1	Breakdown Fig. 12-30
2		904821001	INSERT-20M X 1 1/2"-90 HOSE	1	
3		1580011	HOSE CLAMP - 2"	1	
4		296277614	HOSE - SUCTION - 1.50X32-200PSI	1	
5		294594001	HOSE - HYD - .75 X 20 - 12FSJ - ST/90 - 3000PSI	1	
6		78057001	FITTING-90-12MJ-16MORBA	1	
7		231970001	HOSE INSERT-16MORBX1 1/4 45	1	
8		1580009	HOSE CLAMP - 1 3/4"	1	
9		264707001	HOSE - 1.25 X 13 X 200 PSI	1	
10		53843239	HOSE-1/4X26 4FS JIC 3000 PSII	1	
11		60248001	TEE-4M JICX4M JICX4FS JIC	1	
12		81343001	4M (BCH)X4M JICX4M JIC TEE	1	
13		296073001	HOSE-HYD-.25 X 17.5 4FSJ ST/90 3000PSI	1	
14		296067001	HOSE-HYD-.50 X 24 8FSJ ST/ST 3000PSI	1	
15		53843681	HOSE-1/4X11 4FSJIC-4FSJIC 90	1	
16		53837001	FITTING - 8M O-RING X 8M JIC 90 DEGREE	1	
17		296267044	O-RING	1	

Vise Valve Fig 5-9r02

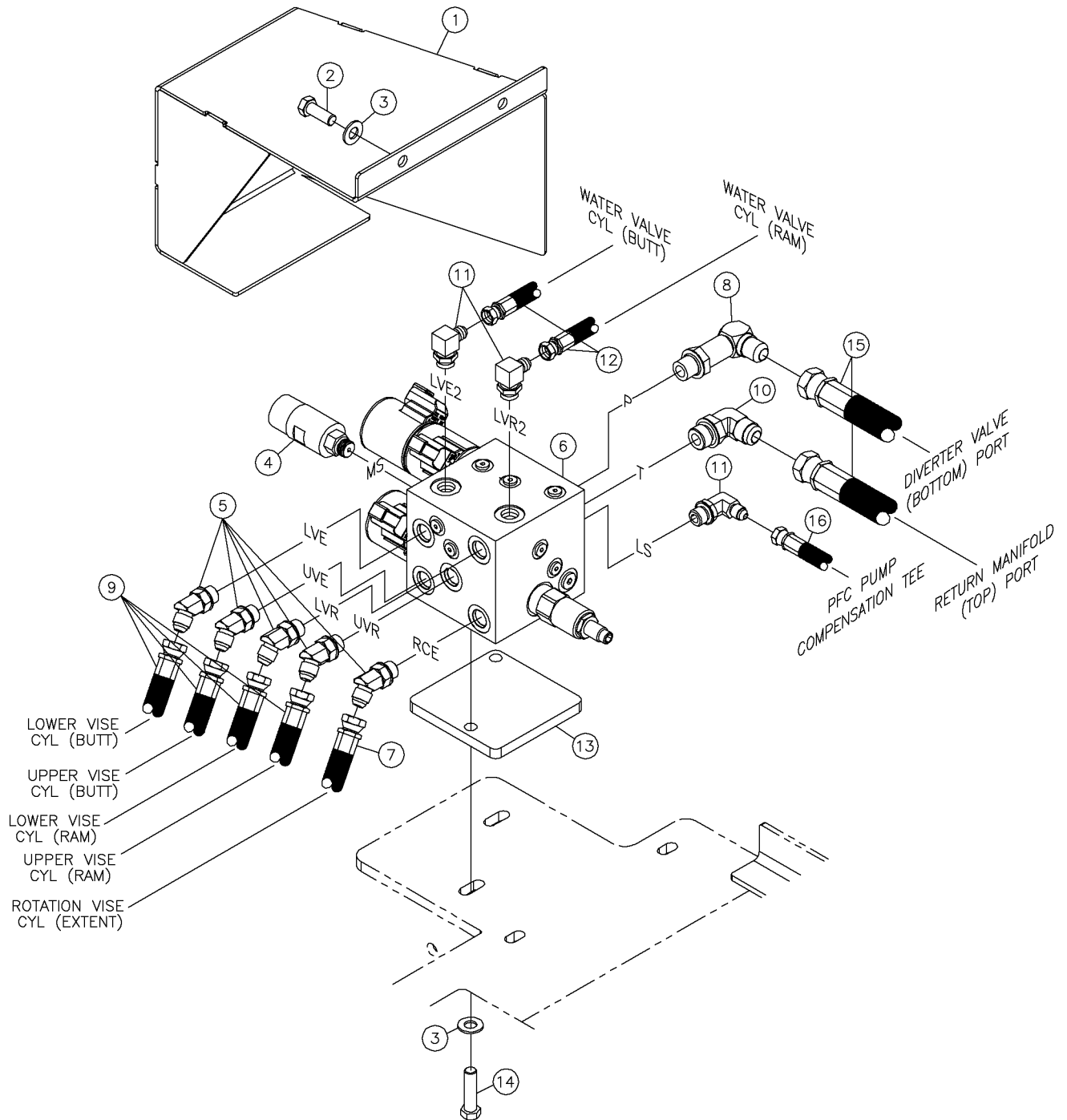




## Vise Valve Fig 5-9r02

REF. NO.	*	PART NO.	DESCRIPTION	QTY.	REMARKS
		Revision Date	June, 2006		Update In Parts List.
1		296277683	SHIELD VISE VALVE WELDMENT	1	
2		235727001	BOLT-3/8-16X1 GR8 HEX ZINC PLT	2	
3		235713001	WASHER - FLATSTRL - .38 - .41 X .81 - .06-YA-A325	4	
4		296277553	PSI SWITCH	1	
5		65563001	FITTING - 6M O-RING X 6M JIC 45 DEGREE	5	
6		296273426	VALVE - VISE MANIFOLD	1	Breakdown Fig. 12-6
7		296277608	HOSE-HYD-.38X110-6FSJ-ST/ST-3000PSI-M3K	1	
8		63220001	8MX8M JIC 90 EXTRA LONG	1	
9		279141001	HOSE - 3/8" X 105" 6FSJIC ST/ST M3K	4	
10		53837001	FITTING - 8M O-RING X 8M JIC 90 DEGREE	1	
11		57950001	FITTING-90-4MJ-6MORBA	3	
12		296277611	HOSE-HYD-.25X150-4FSJ-ST/ST-3000PSI-M3K	2	
13		296277679	PLATE - 4 X 4 X .375 SPACER	1	
14		235723001	SCREW - HCS -.38 - 16 X 1.50 - GR8 - YZ	2	
15		53844093	HOSE-1/2X21 8FS JIC (100R2)	2	
16		53843577	HOSE-1/4X16 4FSJICST/4FSJIC90D	1	

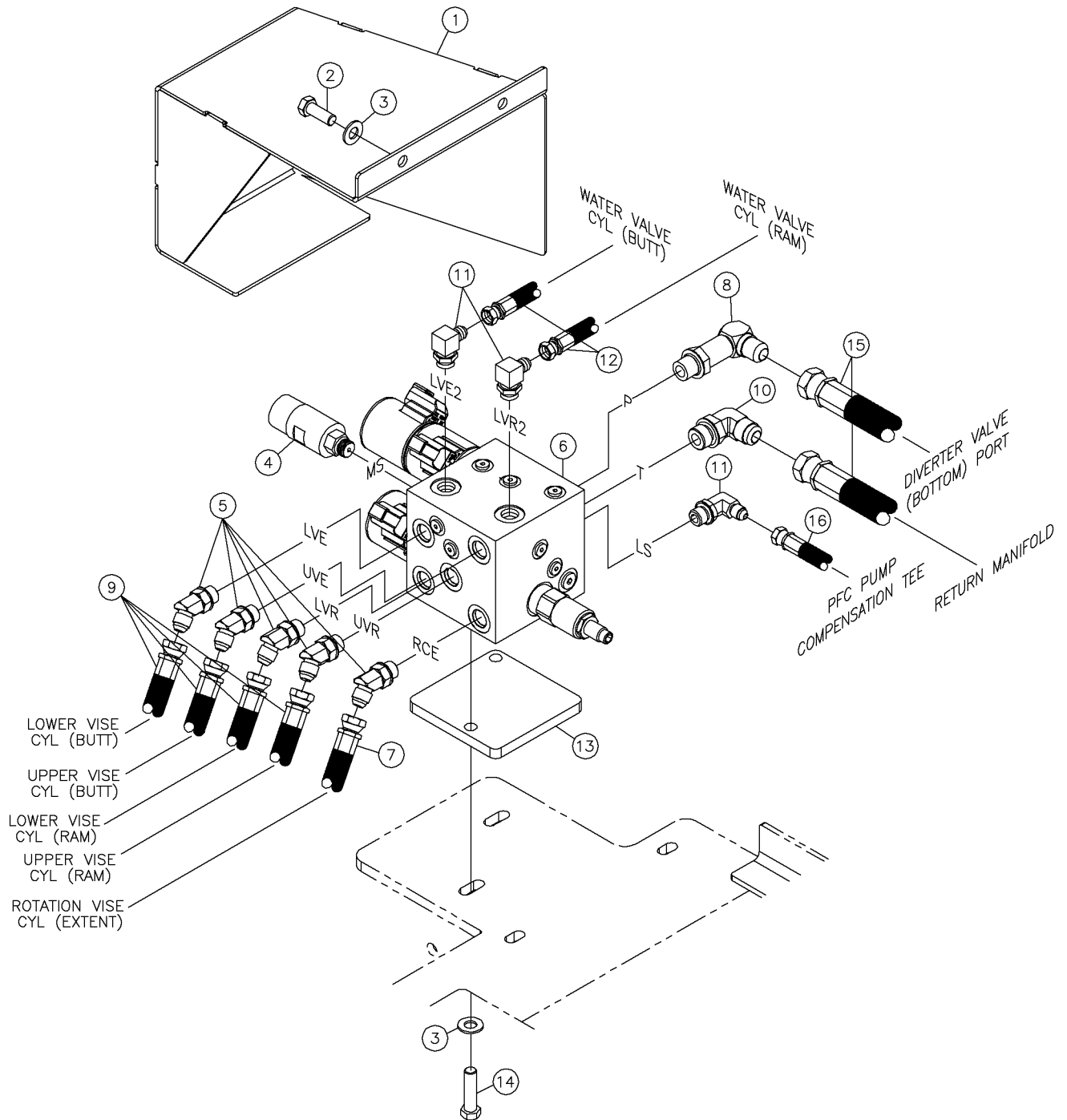
Vise Valve Fig 5-9r01



## Vise Valve Fig 5-9r01

REF. NO.	*	PART NO.	DESCRIPTION	QTY.	REMARKS
		Revision Date	March, 2005		Update In Parts List.
1		296277683	SHIELD VISE VALVE WELDMENT	1	
2		235727001	BOLT-3/8-16X1 GR8 HEX ZINC PLT	2	
3		235713001	WASHER - FLATSTRL - .38 - .41 X .81 - .06-YA-A325	4	
4		296277553	PSI SWITCH	1	
5		65563001	FITTING - 6M O-RING X 6M JIC 45 DEGREE	5	
6		296273426	VALVE - VISE MANIFOLD	1	Breakdown Fig. 12-6
7		296277608	HOSE-HYD-.38X110-6FSJ-ST/ST-3000PSI-M3K	1	
8		63220001	8MX8M JIC 90 EXTRA LONG	1	
9		279141001	HOSE - 3/8" X 105" 6FSJIC ST/ST M3K	4	
10		53837001	FITTING - 8M O-RING X 8M JIC 90 DEGREE	1	
11		57950001	FITTING-90-4MJ-6MORBA	3	
12		296277611	HOSE-HYD-.25X150-4FSJ-ST/ST-3000PSI-M3K	2	
13		296277679	PLATE - 4 X 4 X .375 SPACER	1	
14		235723001	SCREW - HCS -.38 - 16 X 1.50 - GR8 - YZ	2	
15		53844093	HOSE-1/2X21 8FS JIC (100R2)	2	
16		53843239	HOSE-1/4X26 4FS JIC 3000 PSII	1	

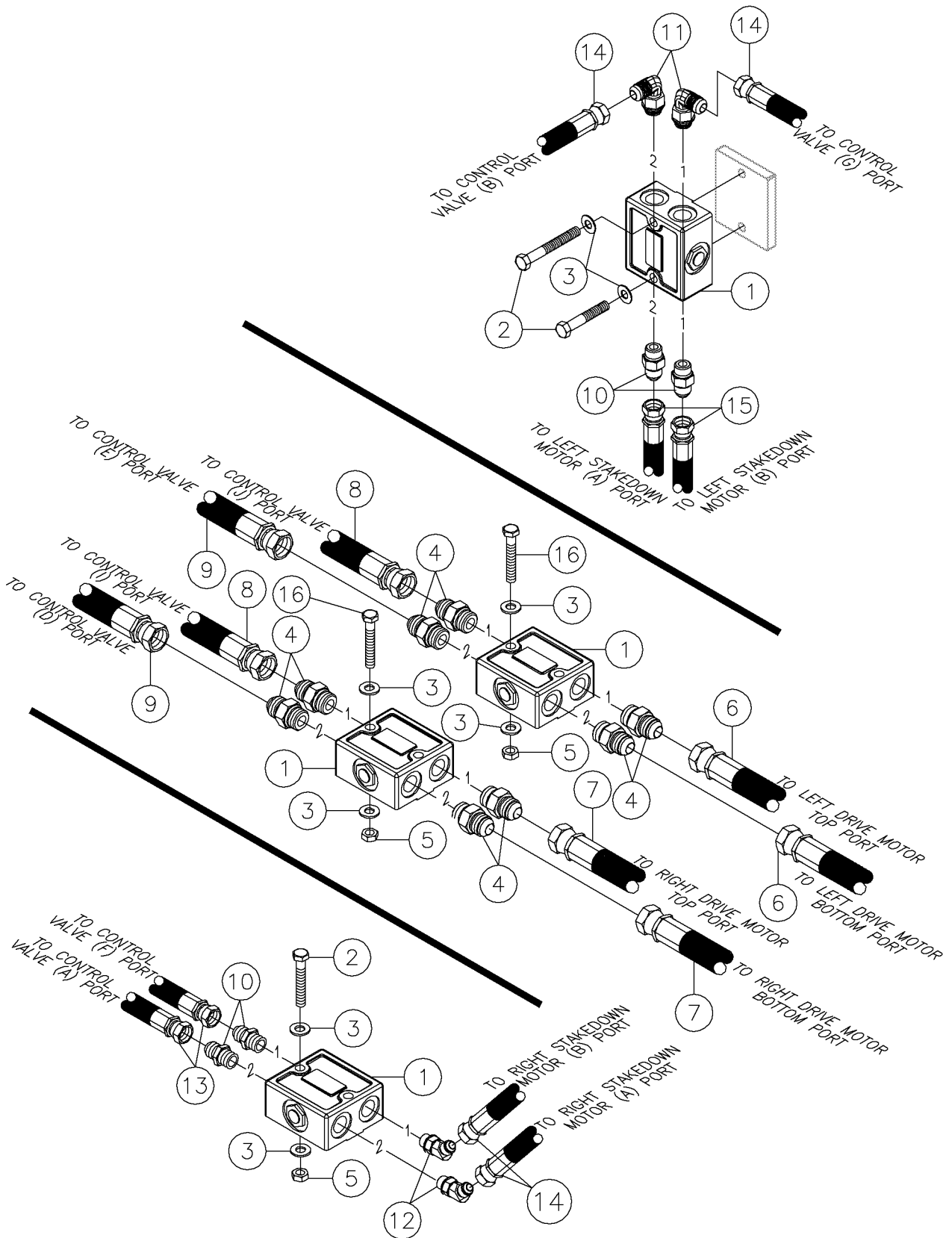
Vise Valve Fig 5-9



## Vise Valve Fig 5-9

REF. NO.	*	PART NO.	DESCRIPTION	QTY.	REMARKS
1		296277683	SHIELD VISE VALVE WELDMENT	1	
2		235727001	BOLT-3/8-16X1 GR8 HEX ZINC PLT	2	
3		235713001	WASHER - FLATSTRL - .38 - .41 X .81 - .06-YA-A325	4	
4		296277553	PSI SWITCH	1	
5		65563001	FITTING - 6M O-RING X 6M JIC 45 DEGREE	5	
6		296273426	VALVE - VISE MANIFOLD	1	Breakdown Fig. 12-6
7		296277609	HOSE-HYD-.38X100-6FSJ-ST/ST-3000PSI-M3K	1	
8		63220001	8MX8M JIC 90 EXTRA LONG	1	
9		296277608	HOSE-HYD-.38X110-6FSJ-ST/ST-3000PSI-M3K	4	
10		53837001	FITTING - 8M O-RING X 8M JIC 90 DEGREE	1	
11		57950001	FITTING-90-4MJ-6MORBA	3	
12		296277611	HOSE-HYD-.25X150-4FSJ-ST/ST-3000PSI-M3K	2	
13		296277679	PLATE - 4 X 4 X .375 SPACER	1	
14		235723001	SCREW - HCS -.38 - 16 X 1.50 - GR8 - YZ	2	
15		53844093	HOSE-1/2X21 8FS JIC (100R2)	2	
16		53843239	HOSE-1/4X26 4FS JIC 3000 PSII	1	

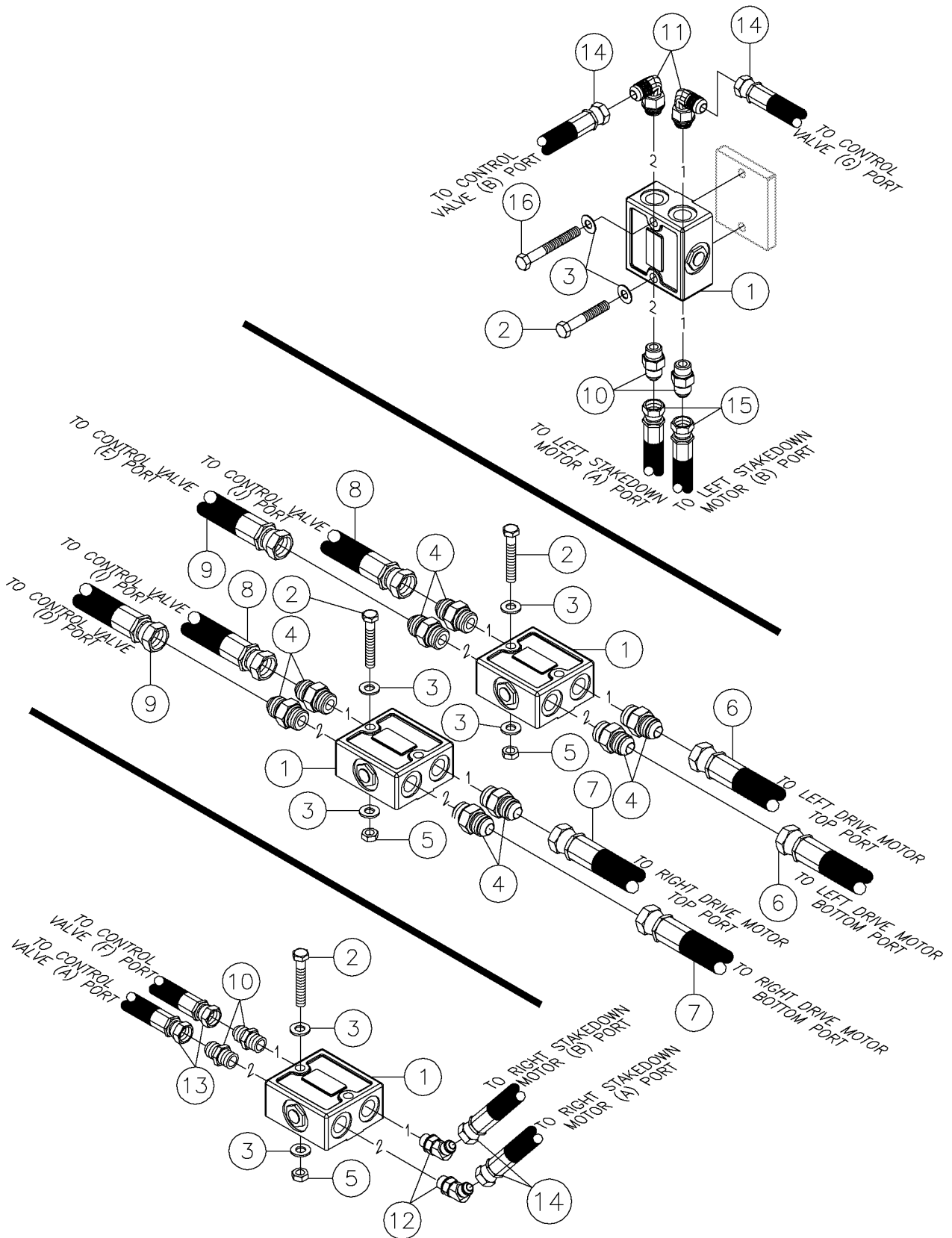
LOA Valve Fig 5-10r03



## LOA Valve Fig 5-10r03

REF. NO.	*	PART NO.	DESCRIPTION	QTY.	REMARKS
		Revision Date	June, 2006		Update In Illustration & Parts List.
1		86668001	VALVE-LOA-6-D	4	Breakdown Fig. 12-16
2		238211001	BOLT 5/16-18 X 2 Gr8 TL ZINC YC	4	
3		235714001	WASHER - FLATSTRL - .31 - .34 X .69 - .06-YZ-A325	14	
4		86235001	6M ORING X 8M JIC STR.	8	
5		235741001	NUT - HEX - .31 - 18 - GR8 -YZ	6	
6		296277602	HOSE-HYD.50X54-8FSJ-ST/ST-3000PSI-M3K	2	
7		296277601	HOSE-HYD.50X40-8FSJ-ST/90-3000PSI-M3K	2	
8		53844483	HOSE-1/2X13" 8FS JIC 3000 PSI	2	
9		53844157	HOSE-1/2X16 8FS JIC 3000 PSI	2	
10		65565001	FITTING - 6M O-RING X 6M JIC ST.	4	
11		59426001	FITTING - 90-6MJ-6MORBA	2	
12		65563001	FITTING - 6M O-RING X 6M JIC 45 DEGREE	2	
13		296277606	HOSE-HYD-.38X170-6FSJ-ST/ST-3000PSI-M3K-	2	
14		296277300	HOSE-HYD-.38X14-6FSJ-ST/ST-3000PSI-M3K	4	
15		296277607	HOSE-HYD-.38X143-6FSJ-ST/ST-3000PSI-M3K	2	
16		244147001	BOLT-5/16-18X2 1/4 GR8 ZYC	4	

LOA Valve Fig 5-10r02

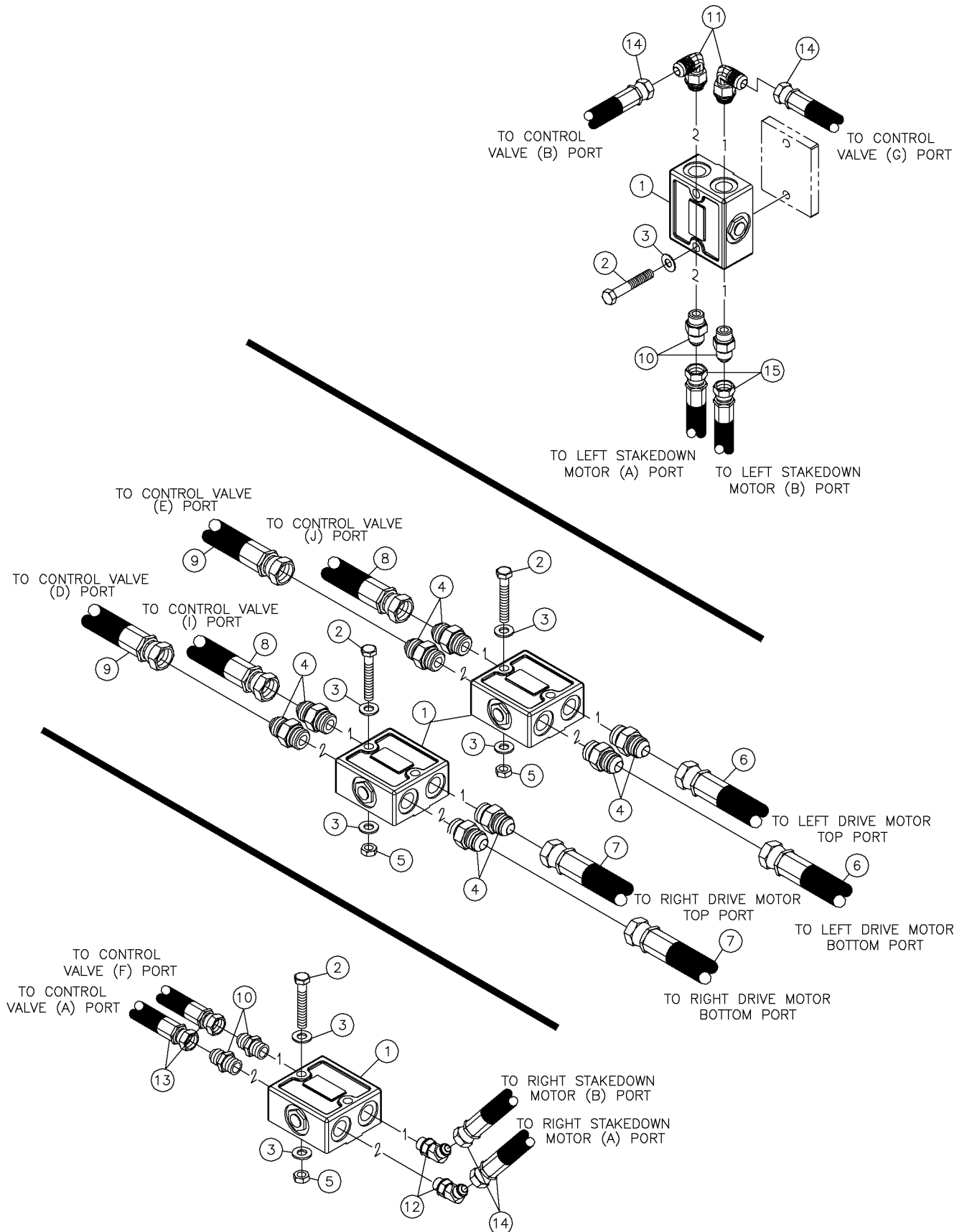




## LOA Valve Fig 5-10r02

REF. NO.	*	PART NO.	DESCRIPTION	QTY.	REMARKS
		Revision Date	March, 2006		Update In Illustration & Parts List.
1		86668001	VALVE-LOA-6-D	4	Breakdown Fig. 12-16
2		238211001	BOLT 5/16-18 X 2 Gr8 TL ZINC YC	8	
3		235714001	WASHER - FLATSTRL - .31 - .34 X .69 - .06-YZ-A325	14	
4		86235001	6M ORING X 8M JIC STR.	8	
5		235741001	NUT - HEX - .31 - 18 - GR8 -YZ	6	
6		296277602	HOSE-HYD.50X54-8FSJ-ST/ST-3000PSI-M3K	2	
7		296277601	HOSE-HYD.50X40-8FSJ-ST/90-3000PSI-M3K	2	
8		53844483	HOSE-1/2X13" 8FS JIC 3000 PSI	2	
9		53844157	HOSE-1/2X16 8FS JIC 3000 PSI	2	
10		65565001	FITTING - 6M O-RING X 6M JIC ST.	4	
11		59426001	FITTING - 90-6MJ-6MORBA	2	
12		65563001	FITTING - 6M O-RING X 6M JIC 45 DEGREE	2	
13		296277606	HOSE-HYD-.38X170-6FSJ-ST/ST-3000PSI-M3K-	2	
14		296277300	HOSE-HYD-.38X14-6FSJ-ST/ST-3000PSI-M3K	4	
15		296277607	HOSE-HYD-.38X143-6FSJ-ST/ST-3000PSI-M3K	2	
16		248029001	BOLT-5/16-18X2 1/2 GR8 ZYC	1	

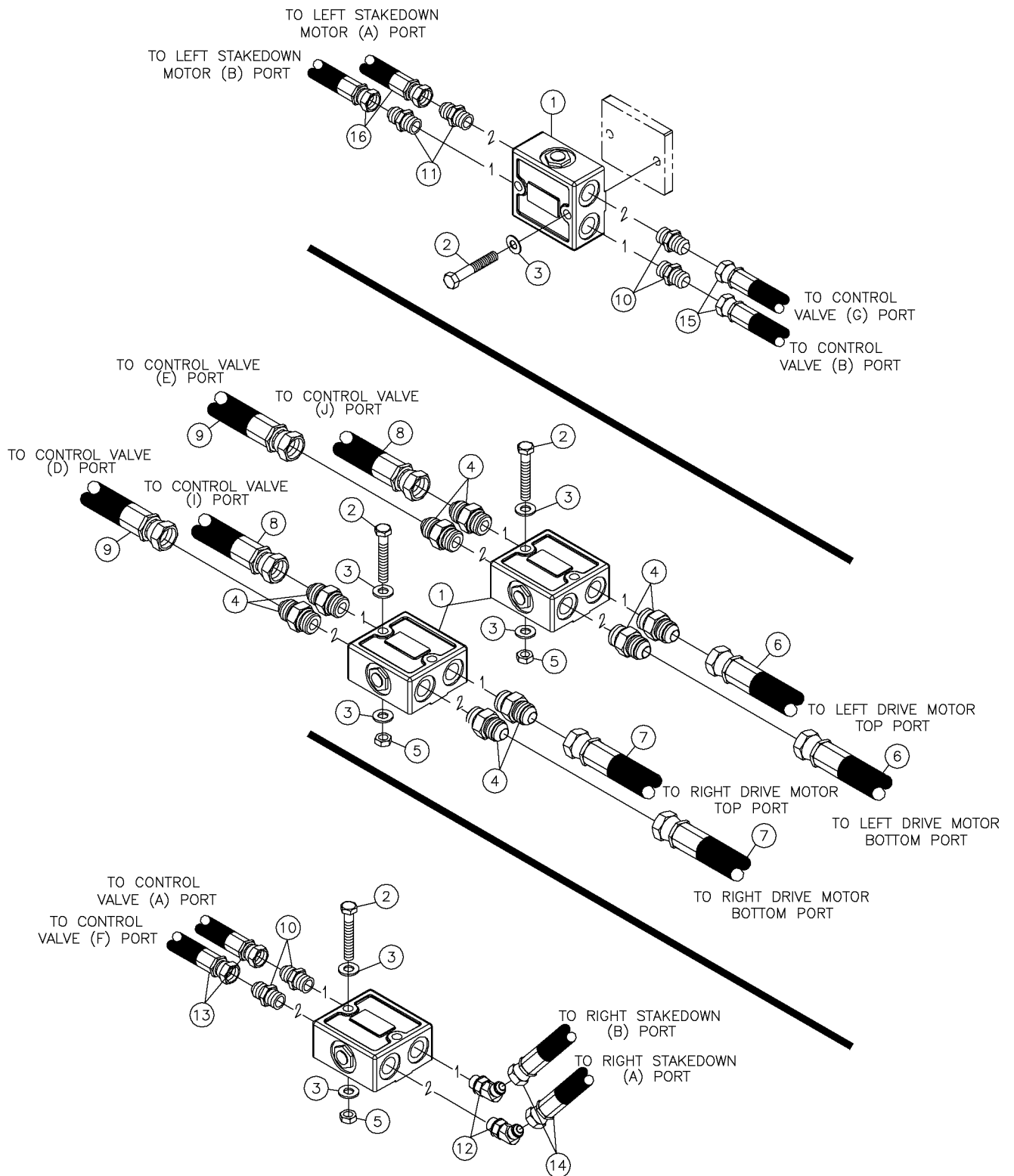
LOA Valve Fig 5-10r01



## LOA Valve Fig 5-10r01

REF. NO.	*	PART NO.	DESCRIPTION	QTY.	REMARKS
		Revision Date	March, 2005		Update In Illustration & Parts List.
1		86668001	VALVE-LOA-6-D	4	Breakdown Fig. 12-16
2		238211001	BOLT 5/16-18 X 2 Gr8 TL ZINC YC	8	
3		235714001	WASHER - FLATSTRL - .31 - .34 X .69 - .06-YZ-A325	14	
4		86235001	6M ORING X 8M JIC STR.	8	
5		235741001	NUT - HEX - .31 - 18 - GR8 -YZ	6	
6		296277602	HOSE-HYD.50X54-8FSJ-ST/ST-3000PSI-M3K	2	
7		296277601	HOSE-HYD.50X40-8FSJ-ST/90-3000PSI-M3K	2	
8		53844483	HOSE-1/2X13" 8FS JIC 3000 PSI	2	
9		53844157	HOSE-1/2X16 8FS JIC 3000 PSI	2	
10		65565001	FITTING - 6M O-RING X 6M JIC ST.	4	
11		59426001	FITTING - 90-6MJ-6MORBA	2	
12		65563001	FITTING - 6M O-RING X 6M JIC 45 DEGREE	2	
13		296277606	HOSE-HYD-.38X170-6FSJ-ST/ST-3000PSI-M3K-	2	
14		296277300	HOSE-HYD-.38X14-6FSJ-ST/ST-3000PSI-M3K	4	
15		296277607	HOSE-HYD-.38X143-6FSJ-ST/ST-3000PSI-M3K	2	

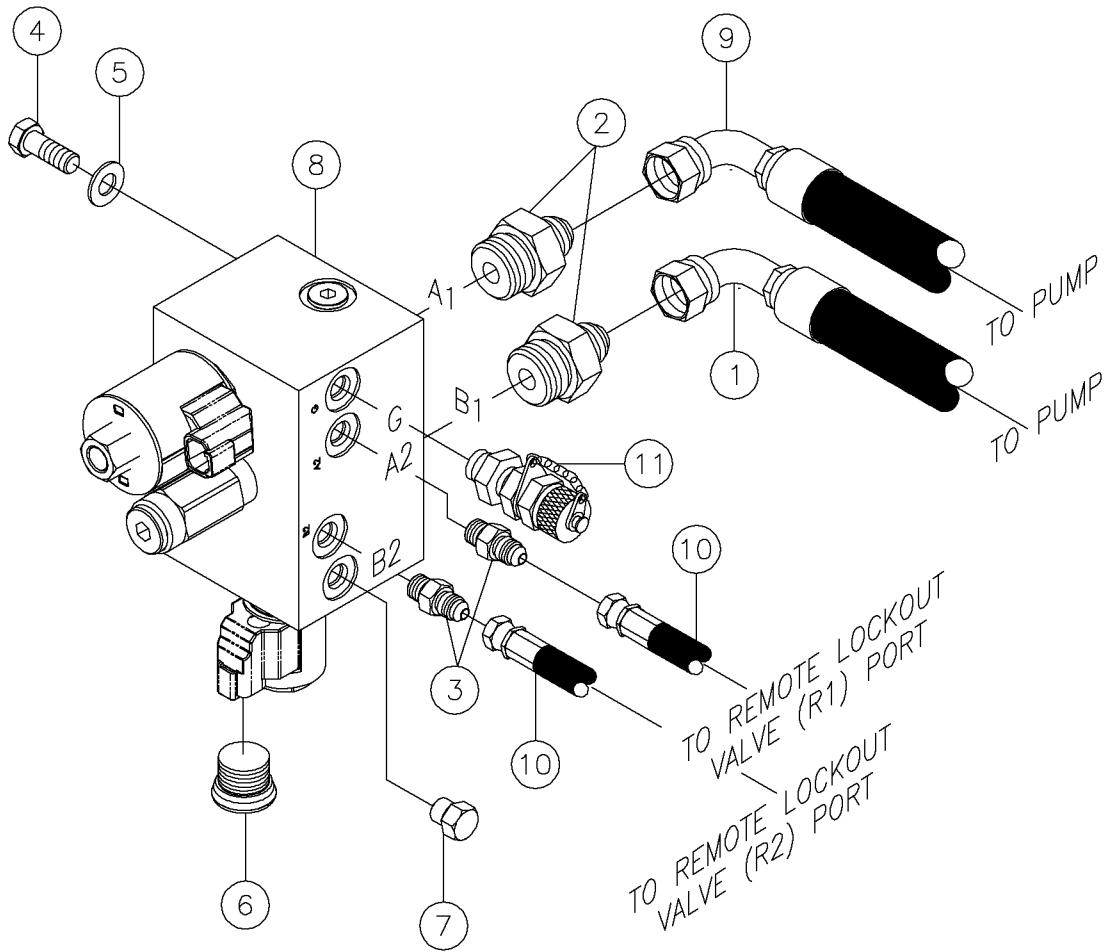
LOA Valve Fig 5-10



## LOA Valve Fig 5-10

REF. NO.	*	PART NO.	DESCRIPTION	QTY.	REMARKS
1		86668001	VALVE-LOA-6-D	4	Breakdown Fig. 12-16
2		244147001	BOLT-5/16-18X2 1/4 GR8 ZINC PL	8	
3		235714001	WASHER - FLATSTRL - .31 - .34 X .69 - .06-YZ-A325	14	
4		86235001	6M ORING X 8M JIC STR.	8	
5		235741001	NUT - HEX - .31 - 18 - GR8 -YZ	6	
6		296277602	HOSE-HYD.50X57-8FSJ-ST/ST-3000PSI-M3K	2	
7		296277601	HOSE-HYD.50X40-8FSJ-ST/90-3000PSI-M3K	2	
8		53844483	HOSE-1/2X13" 8FS JIC 3000 PSI	2	
9		53844157	HOSE-1/2X16 8FS JIC 3000 PSI	2	
10		65565001	FITTING - 6M O-RING X 6M JIC ST.	4	
11		57968001	FITTING-STR-4MJ-6MORB	2	
12		82931001	FITTING-45-4MJX6MORBA	2	
13		296277606	HOSE-HYD-.38X170-6FSJ-ST/ST-3000PSI-M3K-	2	
14		296277300	HOSE-HYD-.38X146FSJ-ST/ST-3000PSI-M3K	2	
15		296277607	HOSE-HYD-.38X160-6FSJ-ST/ST-3000PSI-M3K	2	
16		296277301	HOSE-HYD-.38X246FST-ST/ST-3000-M3K	2	

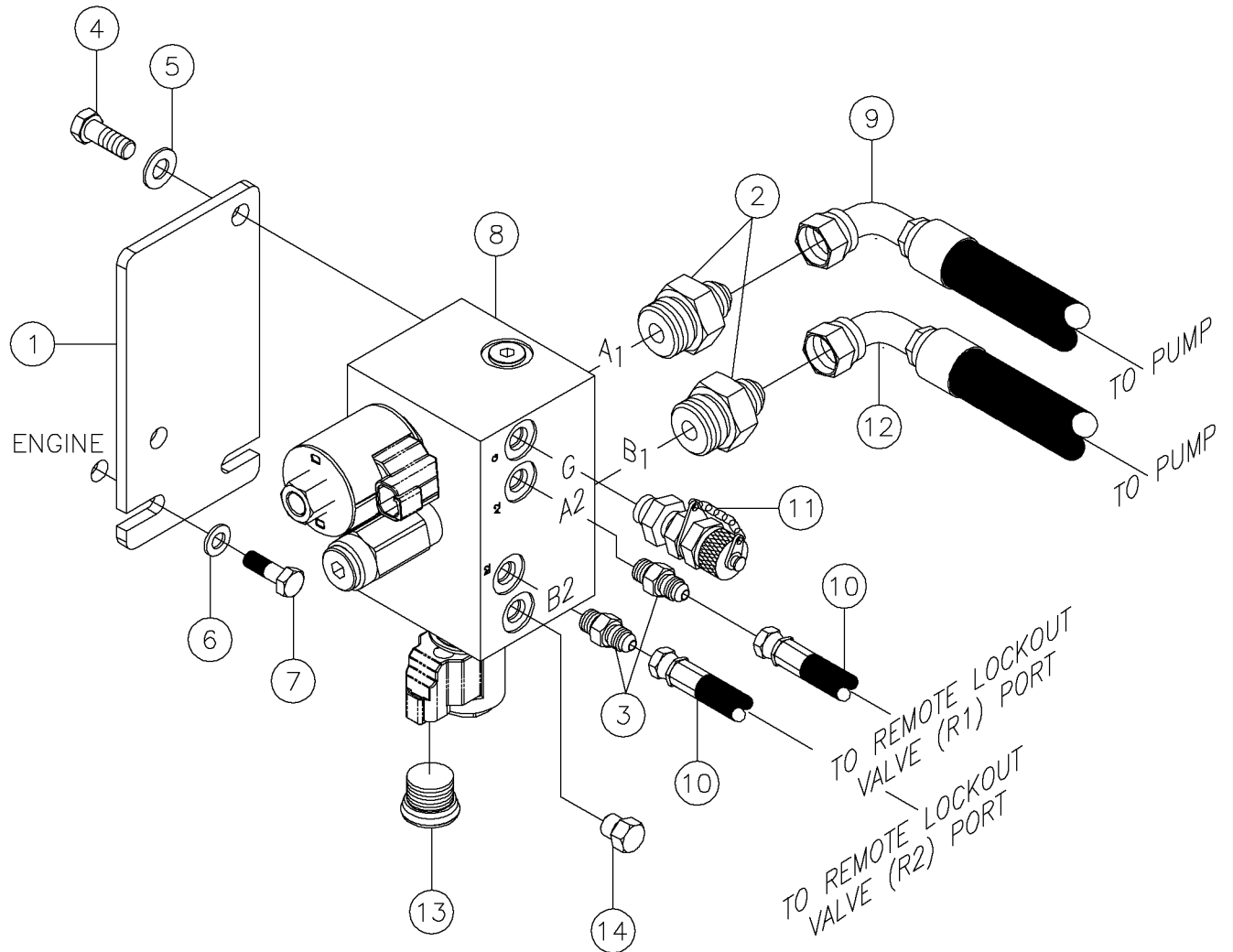
Rotation Valve Fig 5-11r03



## Rotation Valve Fig 5-11r03

REF. NO.	*	PART NO.	DESCRIPTION	QTY.	REMARKS
		Revision Date	November, 2006		Deleted Rotation Valve Plate
1		296275098	HOSE-HYD-.50X12-8FSJ-ST/90-3500PSI-100R2	1	
2		53825001	#12M O-RING-#8M JIC ST.	2	
3		60908001	FITTING-4MX4M JIC STR ADAPTER	2	
4		235727001	BOLT-3/8-16X1 GR8 HEX ZINC PLT	2	
5		510337635	WASHER-FLATSAE-.38-.41X.81-16G-YZ	2	
6		236494005	PLUG-SAE	1	
7		67263001	FITTING - PLUG - 4MORB - HEX	1	
8		296273487	VALVE - TORQUE LIMITER/NEUTRAL	1	(S/N 458-) Breakdown Fig. 12-5
9		296275097	HOSE-HYD-.50X18-8FSJ-ST/90-3500PSI-100R2	1	
10		296073001	HOSE-HYD-.25 X 17.5 4FSJ ST/90 3000PSI	2	
11		75493001	FITTING - TEST - 4MORB - 16MTP	1	

Rotation Valve Fig 5-11r02

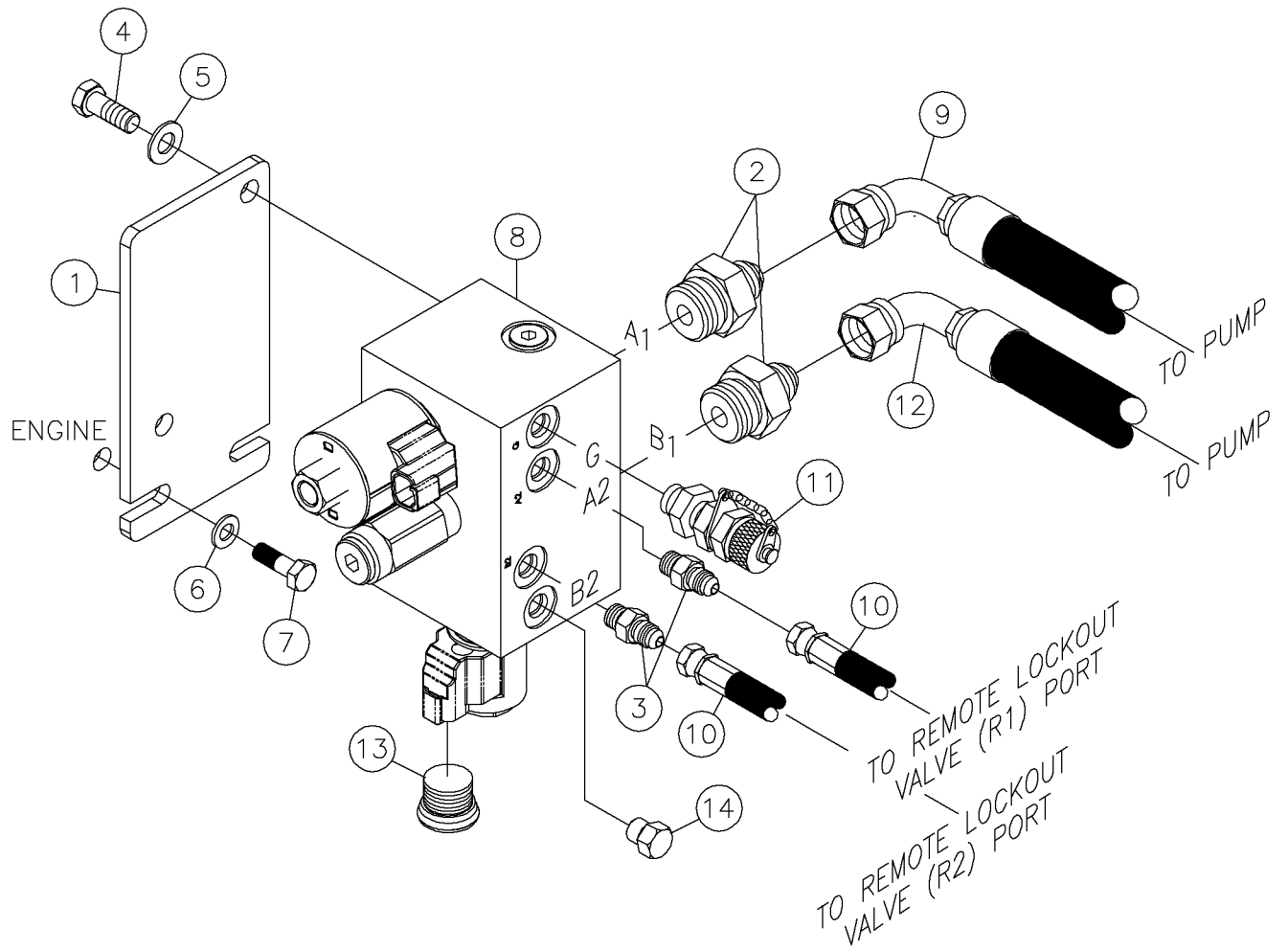




## Rotation Valve Fig 5-11r02

REF. NO.	*	PART NO.	DESCRIPTION	QTY.	REMARKS
		Revision Date	March, 2006		Update In Parts List.
1		296273442	PLATE - ROTATION VALVE	1	
2		53825001	#12M O-RING-#8M JIC ST.	2	
3		60908001	FITTING-4MX4M JIC STR ADAPTER	2	
4		235727001	BOLT-3/8-16X1 GR8 HEX ZINC PLT	2	
5		510337635	WASHER-FLATSAE-.38-.41X.81-16G-YZ	2	
6		506046008	WASHER-FLAT,M8,YZ,D125A	2	
7		506032016	SCREW-HCS,M8-1.25X16,8.8,YZ,D933,FT	2	
8		296273487	VALVE - TORQUE LIMITER/NEUTRAL	1	Breakdown Fig. 12-5 (S/N 458 AND UP)
9		296275097	HOSE-HYD-.50X18-8FSJ-ST/90-3500PSI-100R2	1	
10		296073001	HOSE-HYD-.25 X 17.5 4FSJ ST/90 3000PSI	2	
11		75493001	FITTING - TEST - 4MORB - 16MTP	1	
12		296275098	HOSE-HYD-.50X12-8FSJ-ST/90-3500PSI-100R2	1	
13		236494005	PLUG-SAE	1	
14		67263001	FITTING - PLUG - 4MORB - HEX	1	

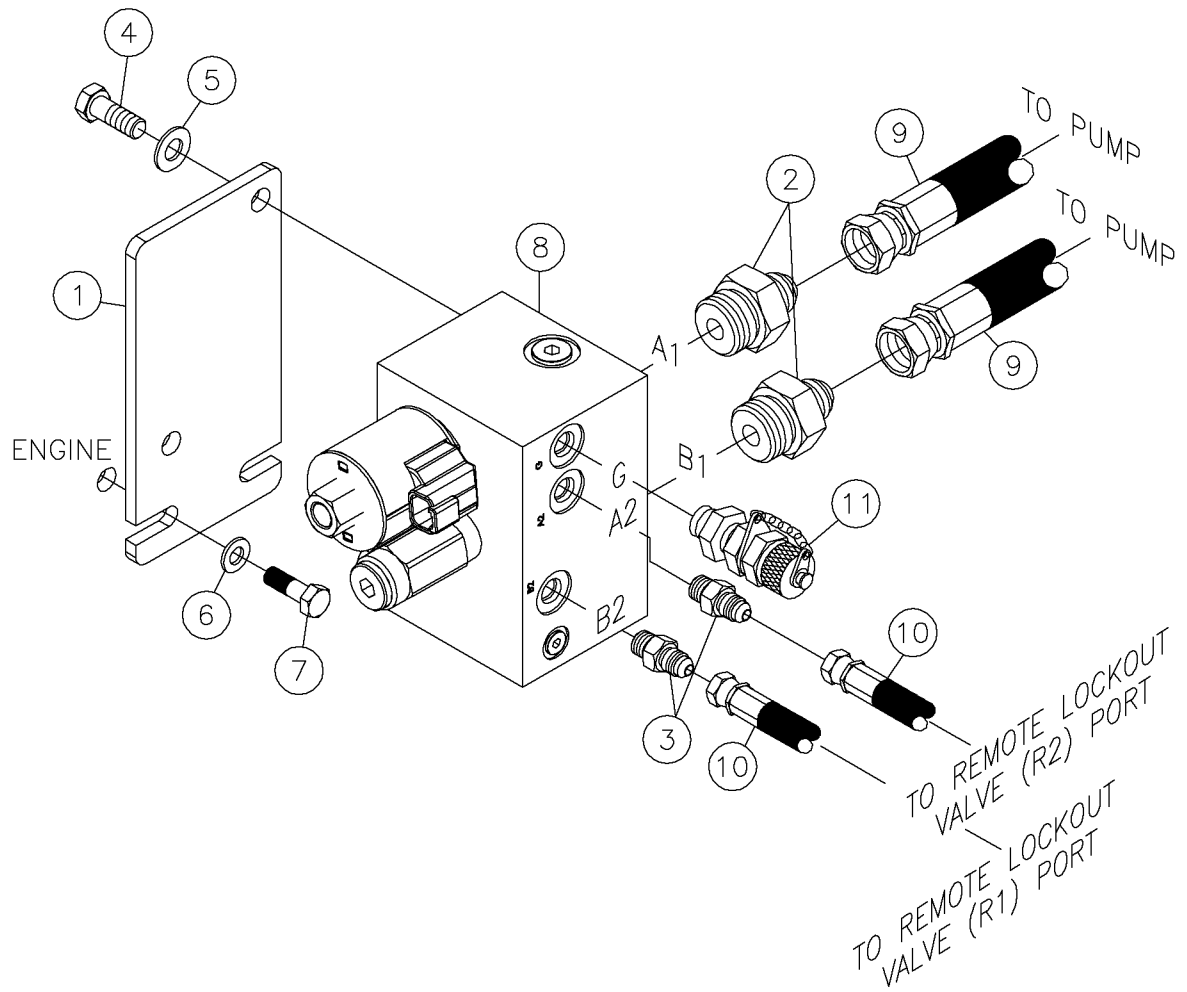
Rotation Valve Fig 5-11r01



## Rotation Valve Fig 5-11r01

REF. NO.	*	PART NO.	DESCRIPTION	QTY.	REMARKS
		Revision Date	March, 2005		Update In Illustration & Parts List.
1		296273442	PLATE - ROTATION VALVE	1	
2		53825001	#12M O-RING-#8M JIC ST.	2	
3		60908001	FITTING-4MX4M JIC STR ADAPTER	2	
4		235727001	BOLT-3/8-16X1 GR8 HEX ZINC PLT	2	
5		510337635	WASHER-FLATSAE-.38-.41X.81-16G-YZ	2	
6		506046008	WASHER-FLAT,M8,YZ,D125A	2	
7		506032016	SCREW-HCS,M8-1.25X16,8.8,YZ,D933,FT	2	
8		296273487	VALVE - TORQUE LIMITER/NEUTRAL	1	Breakdown Fig. 12-5
9		296275097	HOSE-HYD-.50X18-8FSJ-ST/90-3500PSI-100R2	1	
10		296073001	HOSE-HYD-.25 X 17.5 4FSJ ST/90 3000PSI	2	
11		75493001	FITTING - TEST - 4MORB - 16MTP	1	
12		296275098	HOSE-HYD-.50X12-8FSJ-ST/90-3500PSI-100R2	1	
13		236494005	PLUG-SAE	1	
14		67263001	FITTING - PLUG - 4MORB - HEX	1	

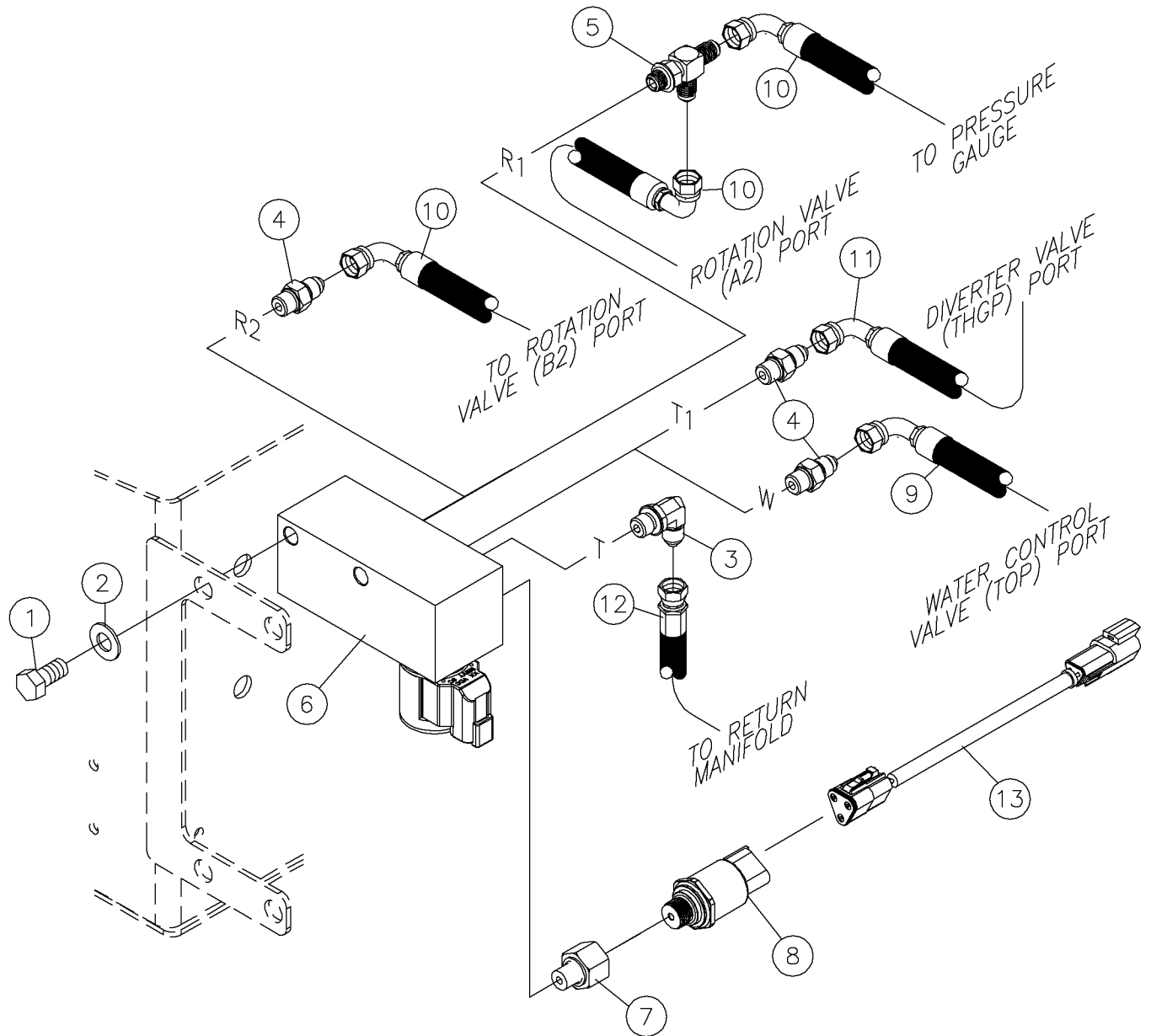
Rotation Valve Fig 5-11



## Rotation Valve Fig 5-11

REF. NO.	*	PART NO.	DESCRIPTION	QTY.	REMARKS
1		296273442	PLATE - ROTATION VALVE	1	
2		53825001	#12M O-RING-#8M JIC ST.	2	
3		60908001	FITTING-4MX4M JIC STR ADAPTER	2	
4		235727001	BOLT-3/8-16X1 GR8 HEX ZINC PLT	2	
5		510337635	WASHER-FLATSAE-.38-.41X.81-16G-YZ	2	
6		506046008	WASHER-FLAT,M8,YZ,D125A	2	
7		506032016	SCREW-HCS,M8-1.25X16,8.8,YZ,D933,FT	2	
8		296273487	VALVE - TORQUE LIMITER/NEUTRAL	1	Breakdown Fig. 12-5
9		53844093	HOSE-1/2X21 8FS JIC (100R2)	2	
10		296073001	HOSE-HYD-.25 X 17.5 4FSJ ST/90 3000PSI	2	
11		75493001	FITTING - TEST - 4MORB - 16MTP	1	

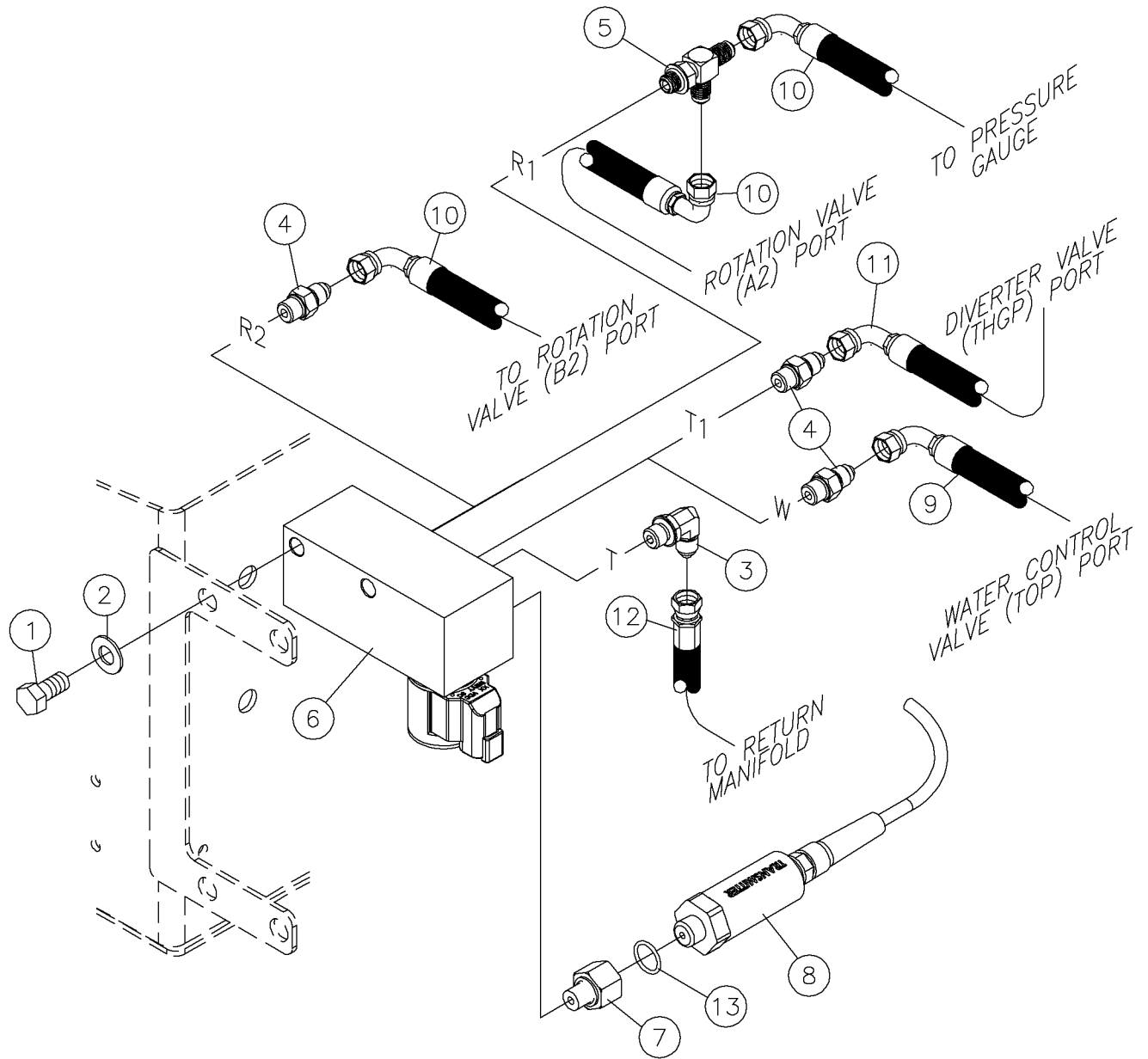
Remote Lockout Valve (S/N 616-) Fig 5-12r02



## Remote Lockout Valve (S/N 616-) Fig 5-12r02

REF. NO.	*	PART NO.	DESCRIPTION	QTY.	REMARKS
		Revision Date	January, 2007		Change Transducer and Added Harness
1		235726001	BOLT-3/8-16X3/4 GR8 HEX ZNCPLT	2	
2		510337635	WASHER-FLATSAE-.38-.41X.81-16G-YZ	2	
3		59423001	FIT-4M JICX4M ADJ.90 DEG.ELBOW	1	
4		60908001	FITTING-4MX4M JIC STR ADAPTER	3	
5		81342001	4MX4M JIC(BCH)X4M JIC TEE	1	
6		296278540	VALVE - CHECK BANK	1	Breakdown Fig. 12-24
7		88530001	FITTING-4MX6F JIC SOLID REDUCE	1	
8	*	296276082	TRANSDUCER-PRESSURE	1	(S/N 616-)
9		53843681	HOSE-1/4X11 4FSJIC-4FSJIC 90	1	
10		296073001	HOSE-HYD-.25 X 17.5 4FSJ ST/90 3000PSI	3	
11		242255001	HOSE-1/4X33 4FS JIC90 4FS ST	1	
12		53843597	HOSE-1/4X24 4FS JIC 3000 PSI	1	
13	*	296272079	HARNESS-JUMPER WIKA TO HYDAC	1	(S/N 616-)

Remote Lockout Valve (S/N 169-615) Fig 5-12r01

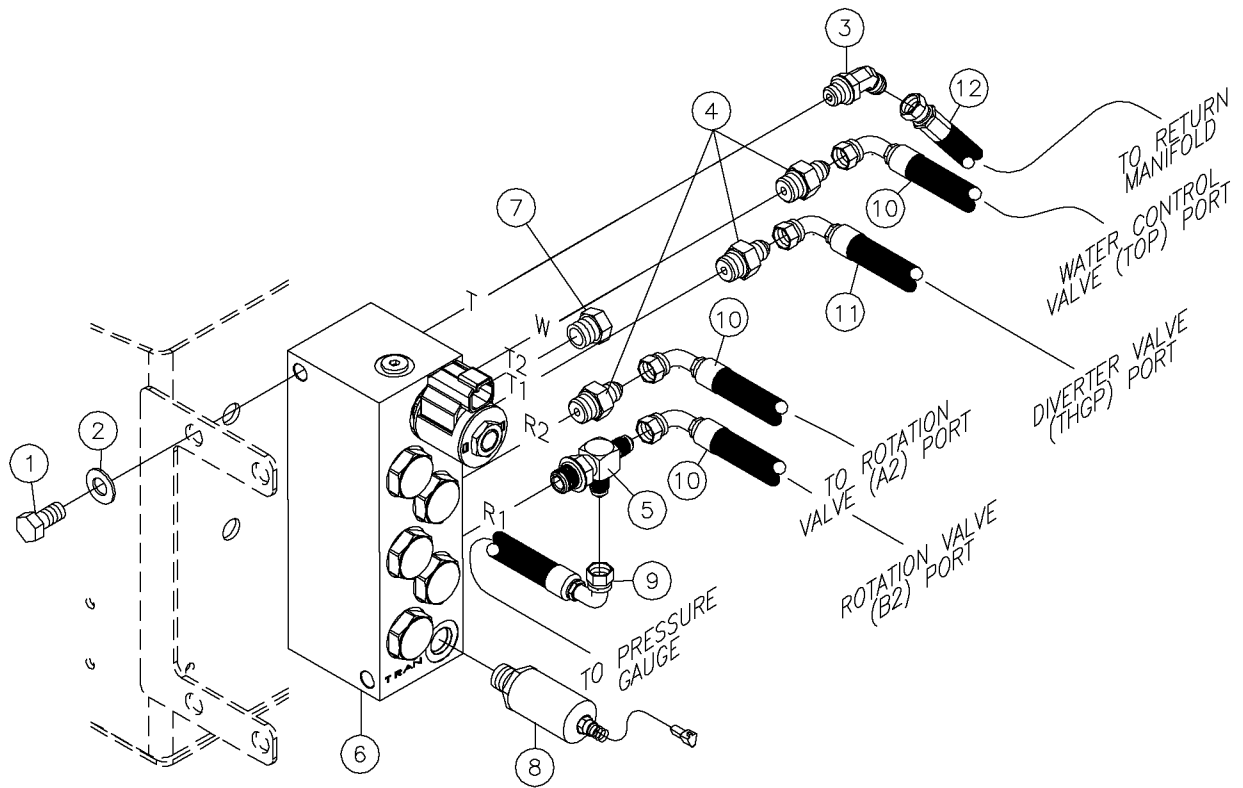




## Remote Lockout Valve (S/N 169-615) Fig 5-12r01

REF. NO.	*	PART NO.	DESCRIPTION	QTY.	REMARKS
		Revision Date	March, 2005		Update In Illustration & Parts List.
1		235726001	BOLT-3/8-16X3/4 GR8 HEX ZNCPLT	2	
2		510337635	WASHER-FLATSAE-.38-.41X.81-16G-YZ	2	
3		59423001	FIT-4M JICX4M ADJ.90 DEG.ELBOW	1	
4		60908001	FITTING-4MX4M JIC STR ADAPTER	3	
5		81342001	4MX4M JIC(BCH)X4M JIC TEE	1	
6		296278540	VALVE - CHECK BANK	1	Breakdown Fig. 12-24
7		88530001	FITTING-4MX6F JIC SOLID REDUCE	1	
8		291892001	TRANSDUCER- PRESSURE	1	
9		53843681	HOSE-1/4X11 4FSJIC-4FSJIC 90	1	
10		296073001	HOSE-HYD-.25 X 17.5 4FSJ ST/90 3000PSI	3	
11		242255001	HOSE-1/4X33 4FS JIC90 4FS ST	1	
12		53843597	HOSE-1/4X24 4FS JIC 3000 PSI	1	
13		59088057	O-RING AS-906-C90	1	

Remote Lockout Valve Fig 5-12



## Remote Lockout Valve Fig 5-12

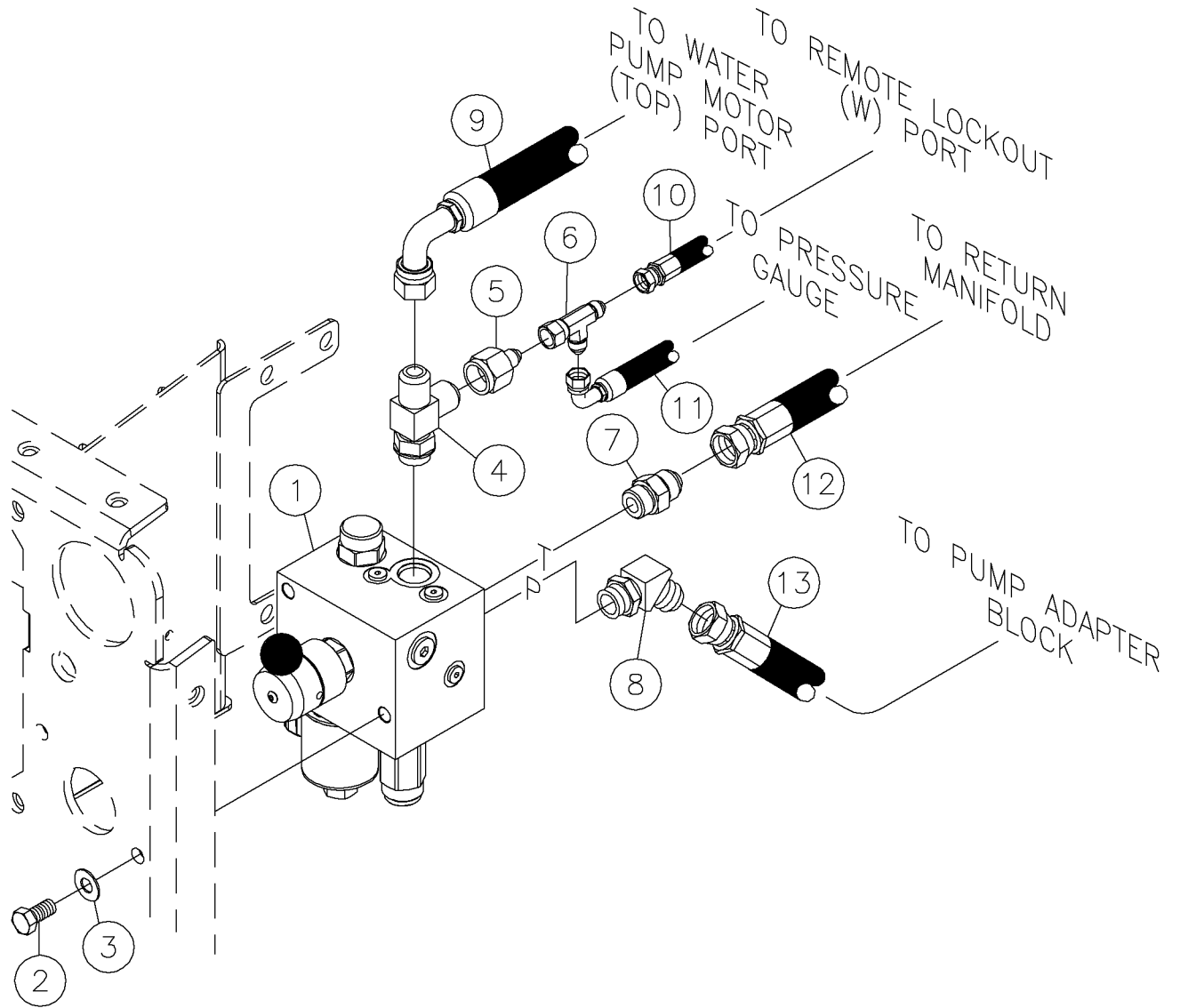
REF. NO.	*	PART NO.	DESCRIPTION	QTY.	REMARKS
1		235726001	BOLT-3/8-16X3/4 GR8 HEX ZNCPLT	1	
2		510337635	WASHER-FLATSAE-.38-.41X.81-16G-YZ	1	
3		82931001	FITTING-6MX4M JIC 45DEG.ELBOW	1	
4		57968001	FITTING-STR-4MJ-6MORB	3	
5		82930001	FIT-6MX4M JICX4M JIC (RUN) TEE	1	
6		296273419	VALVE - REMOTE LOCKOUT	1	Breakdown Fig. 12-24
7		5553001	FITTING - PLUG - 6MORB - HEX	1	
8		291892001	TRANSDUCER- PRESSURE	1	
9		53843681	HOSE-1/4X11 4FSJIC-4FSJIC 90	1	
10		242255001	HOSE-1/4X33 4FS JIC90 4FS ST	2	
11		296073001	HOSE-HYD-.25 X 17.5 4FSJ ST/90 3000PSI	1	
12		53843597	HOSE-1/4X24 4FS JIC 3000 PSI	1	



## Water Control Valve Fig 5-13r02

REF. NO.	*	PART NO.	DESCRIPTION	QTY.	REMARKS
		Revision Date	May, 2007		Change Hose
1		296273328	VALVE - WATER PUMP MANIFOLD	1	Breakdown Fig. 12-25
2		235726001	BOLT-3/8-16X3/4 GR8 HEX ZNCPLT	2	
3		235713001	WASHER - FLATSTRL - .38 - .41 X .81 - .06-YA-A325	2	
4		53837001	FITTING - 8M O-RING X 8M JIC 90 DEGREE	1	
5		53824001	FITTING-#8M O-RING-#8M JIC ST.	1	
6		81705001	FITTING-8MX8M JIC(RUN)X8M JIC	1	
7		54385001	FITTING-8F JICX4MJIC REDUCER	1	
8		60248001	TEE-4M JICX4M JICX4FS JIC	1	
9	*	53844419	HOSE-1/2X122 8FS JIC 3000 PSI	1	
10		53843681	HOSE-1/4X11 4FSJIC-4FSJIC 90	1	
11		296073001	HOSE-HYD-.25 X 17.5 4FSJ ST/90 3000PSI	1	
12		53844011	HOSE-1/2X24 8FS JIC (100R2)	1	
13		296258368	HOSE - .50 X 32 8FS JIC ST/ST M3K	1	

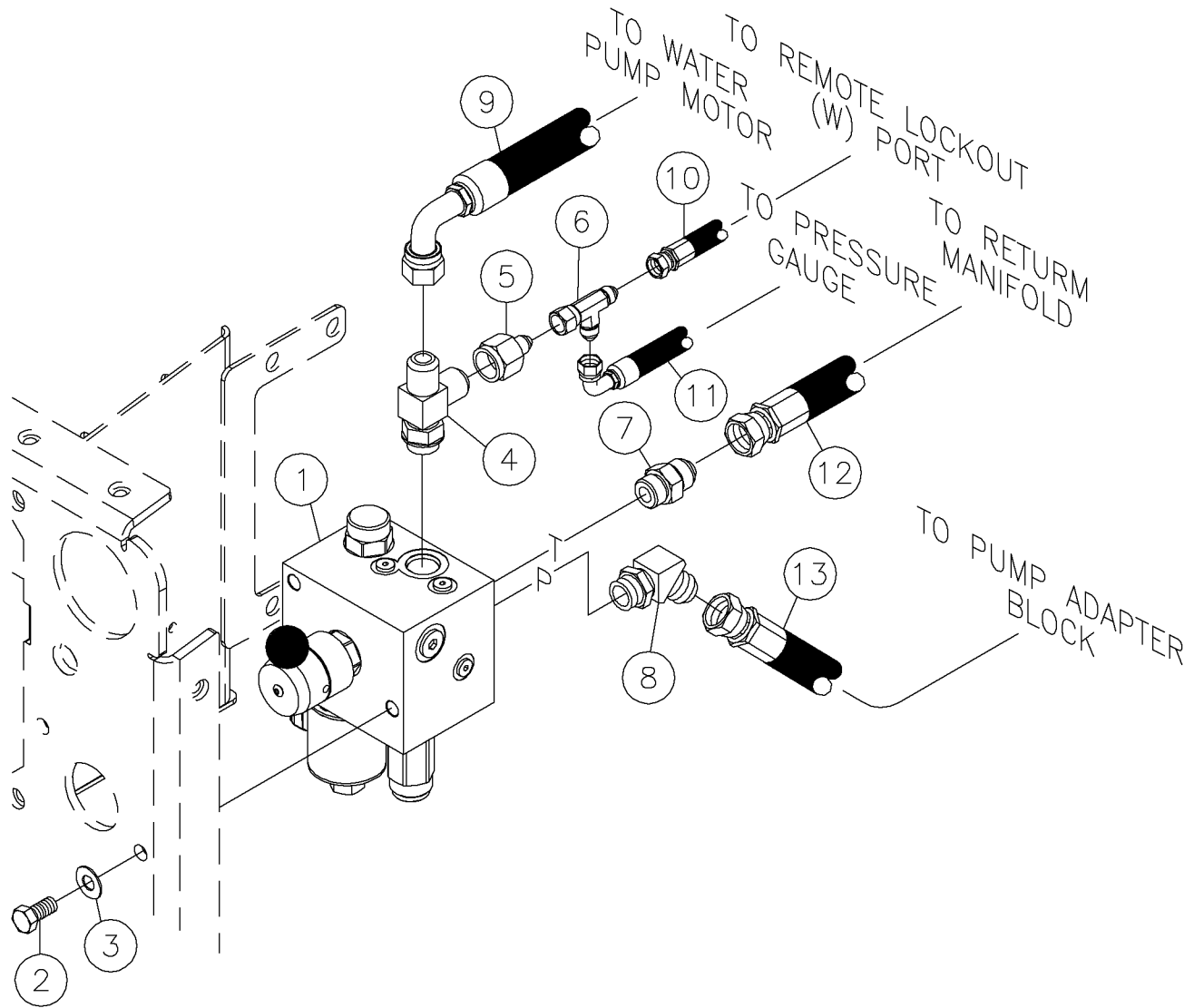
Water Control Valve Fig 5-13r01



## Water Control Valve Fig 5-13r01

REF. NO.	*	PART NO.	DESCRIPTION	QTY.	REMARKS
		Revision Date	March, 2005		Update In Parts List.
1		296273328	VALVE - WATER PUMP MANIFOLD	1	Breakdown Fig. 12-25
2		235726001	BOLT-3/8-16X3/4 GR8 HEX ZNCPLT	2	
3		235713001	WASHER - FLATSTRL - .38 - .41 X .81 - .06-YA-A325	2	
4		53837001	FITTING - 8M O-RING X 8M JIC 90 DEGREE	1	
5		53824001	FITTING-#8M O-RING-#8M JIC ST.	1	
6		81705001	FITTING-8MX8M JIC(RUN)X8M JIC	1	
7		54385001	FITTING-8F JICX4MJIC REDUCER	1	
8		60248001	TEE-4M JICX4M JICX4FS JIC	1	
9		241885001	HOSE-1/2 X 142 8FS X 8FS 90 3000 PSI	1	
10		53843681	HOSE-1/4X11 4FSJIC-4FSJIC 90	1	
11		296073001	HOSE-HYD-.25 X 17.5 4FSJ ST/90 3000PSI	1	
12		296030001	HOSE-HYD 1/2X19 8FSJ ST/90 3000PSI	1	
13		296258368	HOSE - .50 X 32 8FS JIC ST/ST M3K	1	

Water Control Valve Fig 5-13

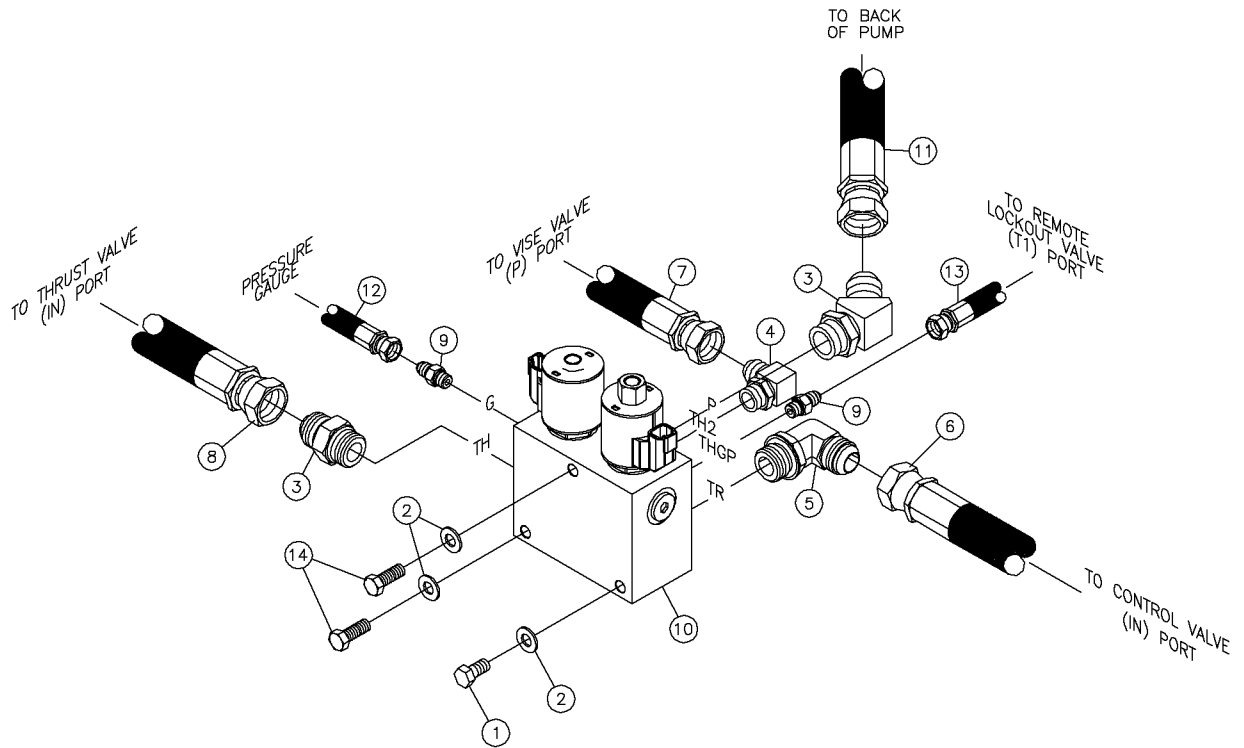




## Water Control Valve Fig 5-13

REF. NO.	*	PART NO.	DESCRIPTION	QTY.	REMARKS
1		296273328	VALVE - WATER PUMP MANIFOLD	1	Breakdown Fig. 12-25
2		235726001	BOLT-3/8-16X3/4 GR8 HEX ZNCPLT	2	
3		235713001	WASHER - FLATSTRL - .38 - .41 X .81 - .06-YA-A325	2	
4		53837001	FITTING - 8M O-RING X 8M JIC 90 DEGREE	1	
5		53824001	FITTING-#8M O-RING-#8M JIC ST.	1	
6		81705001	FITTING-8MX8M JIC(RUN)X8M JIC	1	
7		54385001	FITTING-8F JICX4MJIC REDUCER	1	
8		60248001	TEE-4M JICX4M JICX4FS JIC	1	
9		241885001	HOSE-1/2 X 142 8FS X 8FS 90 3000 PSI	1	
10		242255001	HOSE-1/4X33 4FS JIC90 4FS ST	1	
11		296073001	HOSE-HYD-.25 X 17.5 4FSJ ST/90 3000PSI	1	
12		296030001	HOSE-HYD 1/2X19 8FSJ ST/90 3000PSI	1	
13		296258368	HOSE - .50 X 32 8FS JIC ST/ST M3K	1	

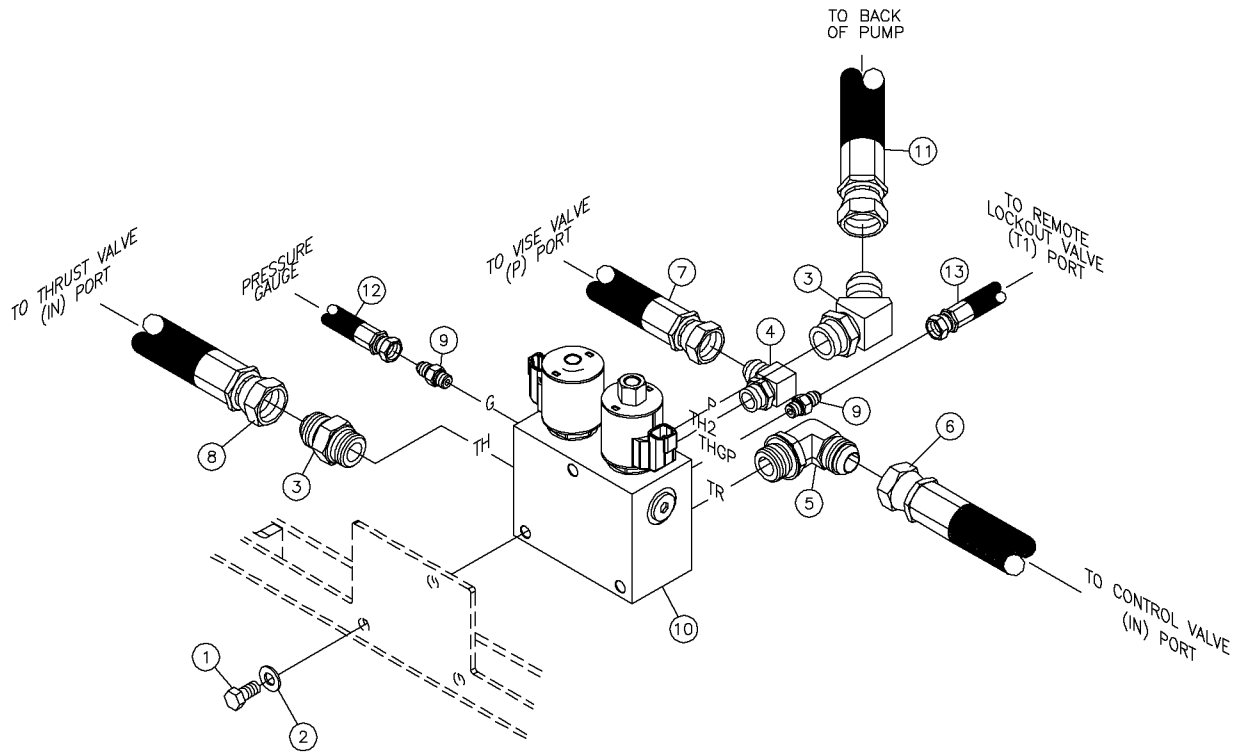
Thrust-Track Valve Fig 5-14r02



## Thrust-Track Valve Fig 5-14r02

REF. NO.	*	PART NO.	DESCRIPTION	QTY.	REMARKS
		Revision Date	July, 2006		Update In Illustration & Parts List.
1	*	235726001	BOLT-3/8-16X3/4 GR8 HEX ZNCPLT	1	
2		235713001	WASHER - FLATSTRL - .38 - .41 X .81 - .06-YA-A325	3	
3		53828001	#12M O-RING-#12M JIC ST.	1	
4		53837001	FITTING - 8M O-RING X 8M JIC 90 DEGREE	1	
5		59410001	FITTING-90-12MJ-12MORBA	1	
6		53845597	HOSE-3/4X68 12FS JIC 3000 PSI	1	
7		53844093	HOSE-1/2X21 8FS JIC (100R2)	1	
8		296277704	HOSE-HYD-.75X12-12FSJ-ST/45-3000PSI-M3K	1	
9		60908001	FITTING-4MX4M JIC STR ADAPTER	1	
10		296273327	VALVE - TRANSPORT/THRUST	1	Breakdown Fig. 12-7
11		296282346	HOSE-HYD-.75X15.5-12FSJ-ST/ST-3000PSI-M3K	1	
12		236481001	HOSE-1/4X26 4FS JIC ST/90 3000	1	
13		242255001	HOSE-1/4X33 4FS JIC90 4FS ST	1	
14	*	235727001	SCREW-HCS-.38-16X1.00-GR8-YZ	2	

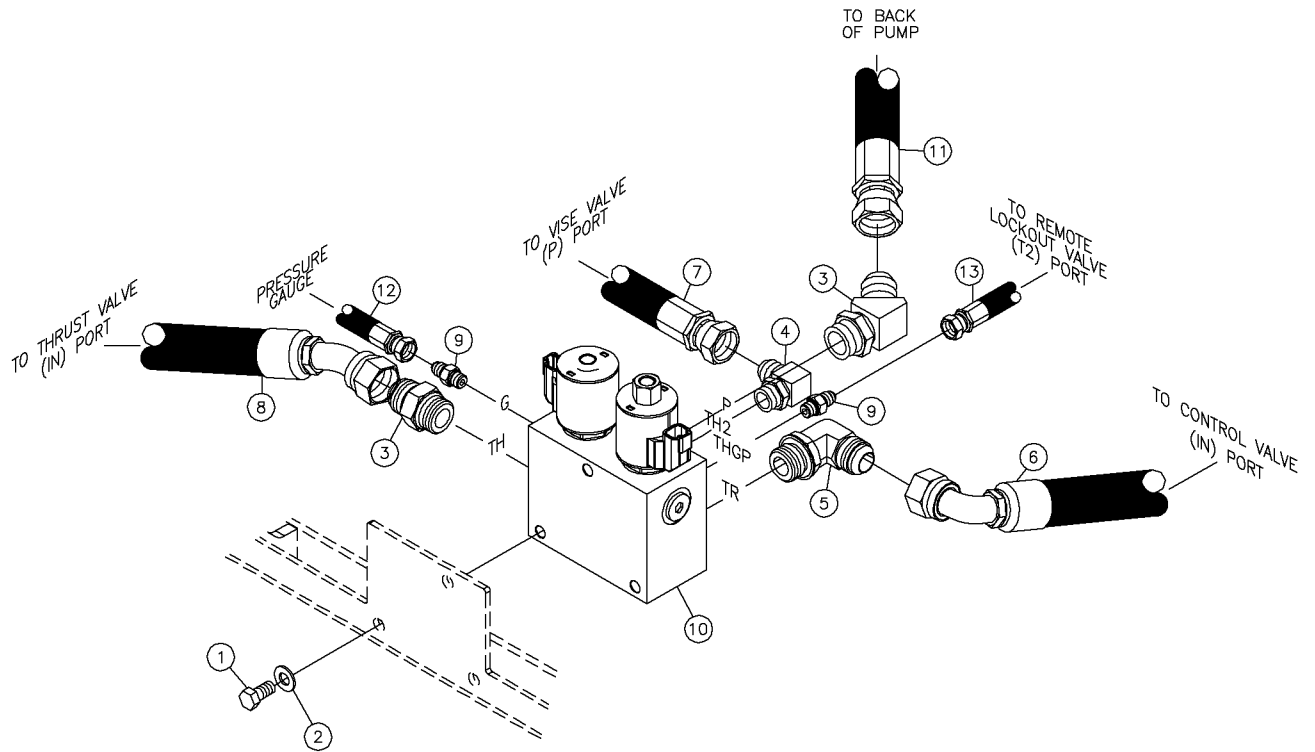
Thrust-Track Valve Fig 5-14r01



## Thrust-Track Valve Fig 5-14r01

REF. NO.	*	PART NO.	DESCRIPTION	QTY.	REMARKS
		Revision Date	March, 2005		Update In Illustration & Parts List.
1		235726001	BOLT-3/8-16X3/4 GR8 HEX ZNCPLT	3	
2		235713001	WASHER - FLATSTRL - .38 - .41 X .81 - .06-YA-A325	3	
3		53828001	#12M O-RING-#12M JIC ST.	1	
4		53837001	FITTING - 8M O-RING X 8M JIC 90 DEGREE	1	
5		59410001	FITTING-90-12MJ-12MORBA	1	
6		53845597	HOSE-3/4X68 12FS JIC 3000 PSI	1	
7		53844093	HOSE-1/2X21 8FS JIC (100R2)	1	
8		296277704	HOSE-HYD-.75X12-12FSJ-ST/45-3000PSI-M3K	1	
9		60908001	FITTING-4MX4M JIC STR ADAPTER	1	
10		296273327	VALVE - TRANSPORT/THRUST	1	Breakdown Fig. 12-7
11		296277298	HOSE-HYD-.75X22-12FSJ-ST/90-3000PSI-M3K	1	
12		236481001	HOSE-1/4X26 4FS JIC ST/90 3000	1	
13		242255001	HOSE-1/4X33 4FS JIC90 4FS ST	1	

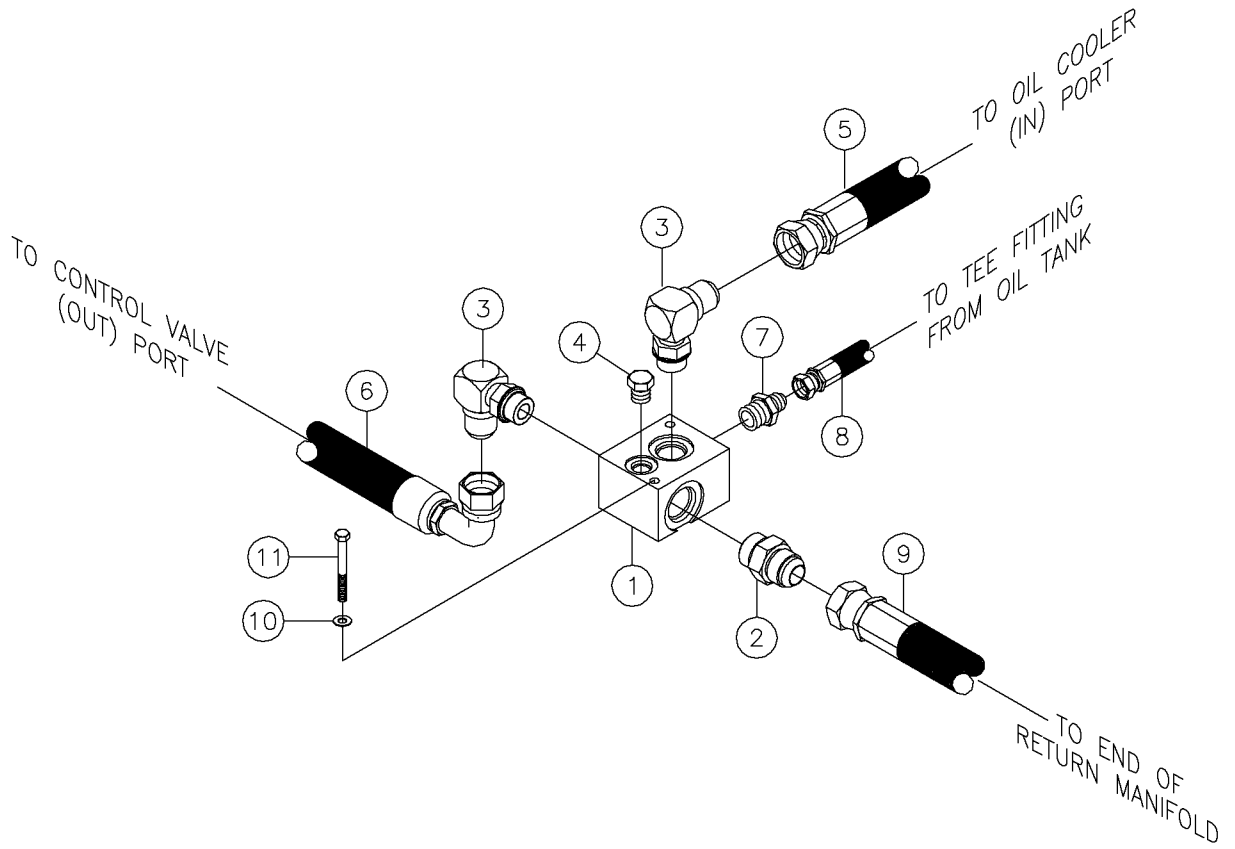
Thrust-Track Valve Fig 5-14



## Thrust-Track Valve Fig 5-14

REF. NO.	*	PART NO.	DESCRIPTION	QTY.	REMARKS
1		235726001	BOLT-3/8-16X3/4 GR8 HEX ZNCPLT	3	
2		235713001	WASHER - FLATSTRL - .38 - .41 X .81 - .06-YA-A325	3	
3		53828001	#12M O-RING-#12M JIC ST.	1	
4		53837001	FITTING - 8M O-RING X 8M JIC 90 DEGREE	1	
5		59410001	FITTING-90-12MJ-12MORBA	1	
6		296277297	HOSE-HYD-.75X68-12FSJ-ST/45-3000PSI-M3K	1	
7		53844093	HOSE-1/2X21 8FS JIC (100R2)	1	
8		296277612	HOSE-HYD-.75X12-12FSJ-ST/45-3000PSI-M3K	1	
9		60908001	FITTING-4MX4M JIC STR ADAPTER	1	
10		296273327	VALVE - TRANSPORT/THRUST	1	Breakdown Fig. 12-7
11		296277298	HOSE-HYD-.75X22-12FSJ-ST/90-3000PSI-M3K	1	
12		236481001	HOSE-1/4X26 4FS JIC ST/90 3000	1	
13		242255001	HOSE-1/4X33 4FS JIC90 4FS ST	1	

Oil Cooler Manifold Fig 5-15r03

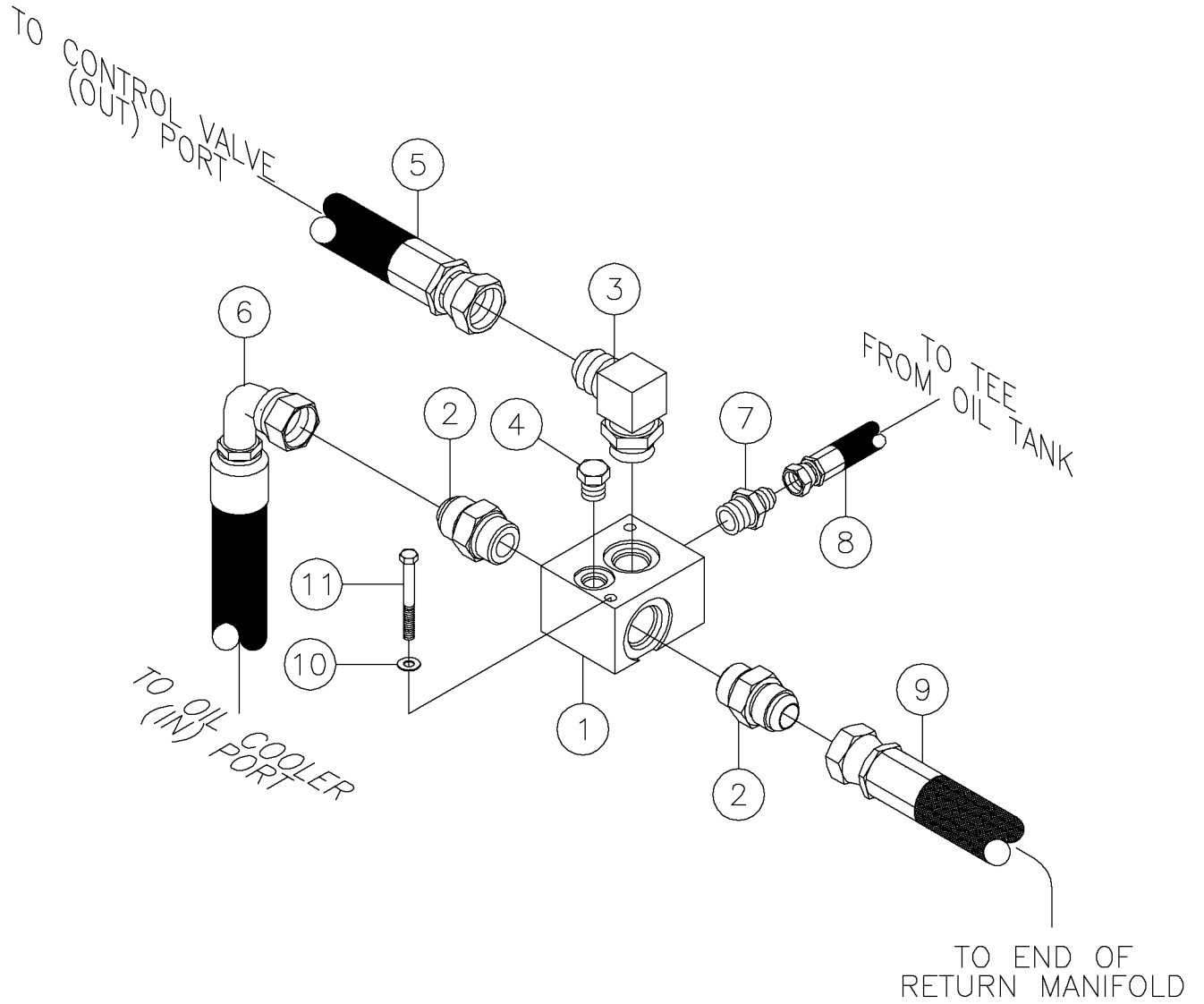




## Oil Cooler Manifold Fig 5-15r03

REF. NO.	*	PART NO.	DESCRIPTION	QTY.	REMARKS
		Revision Date	November, 2006		Changed Fitting Configuration
1		282782001	MANIFOLD - OIL COOLER	1	
2	*	53828001	#12M O-RING-#12M JIC ST.	1	
3	*	53871001	#10M O-RING X 12M JIC 90	2	
4		5553001	FITTING - PLUG - 6MORB - HEX	1	
5		53845479	HOSE-3/4X38 12FS JIC 3000 PSI	1	
6		53845661	HOSE-3/4X34 12FS JIC 12FS 90DE	1	
7		53824001	FITTING-#8M O-RING-#8M JIC ST.	1	
8		53844193	HOSE-1/2X34 8FS JIC 2000PSI	1	
9		53845133	HOSE-3/4X50 12FS JIC (100R4)	1	
10		510337603	WASHER-FLATSTD-.25-.31X.75-.07-YZ	2	
11		250644001	BOLT-1/4-20 X2 1/4 GR 8 Y/ZINC	2	

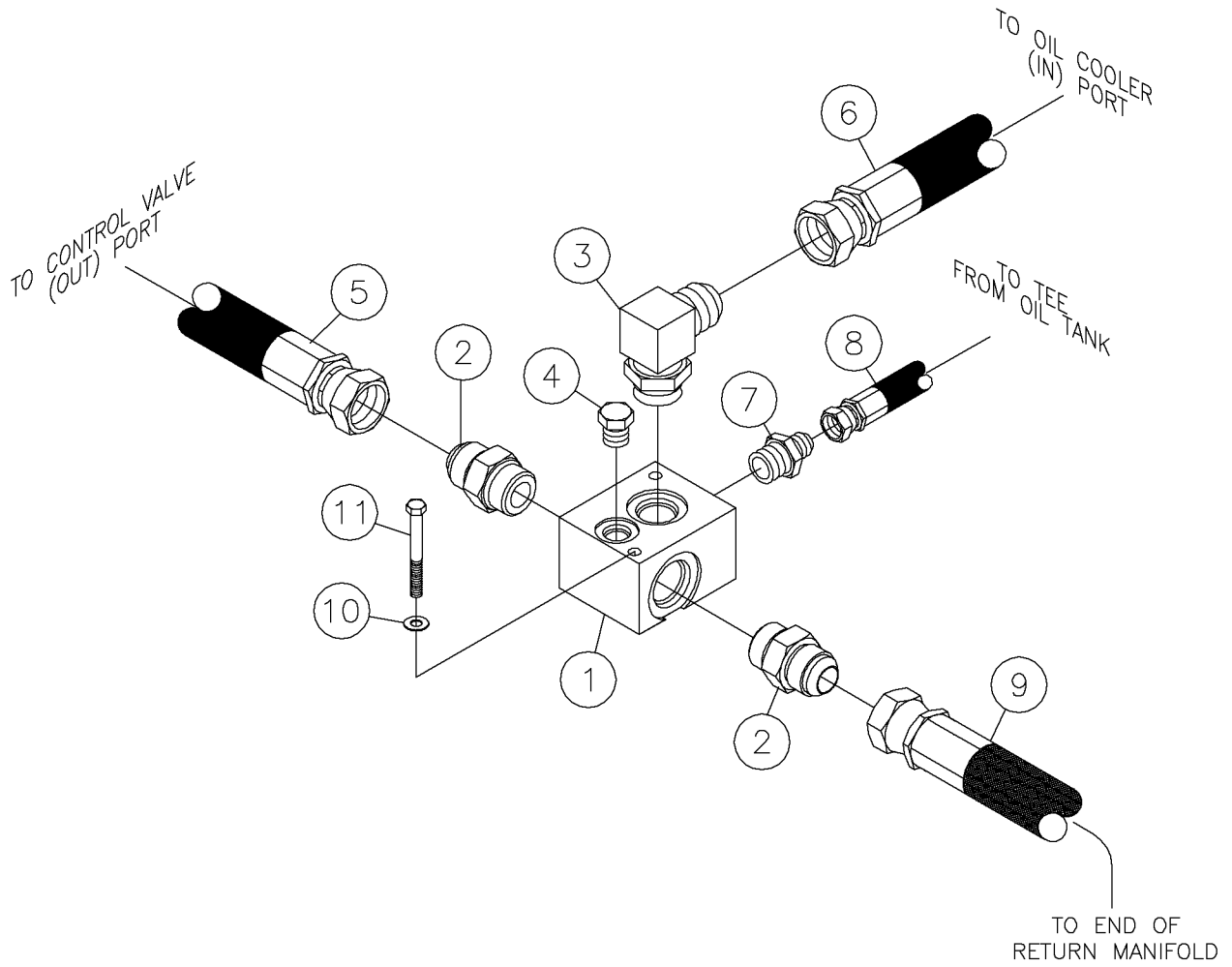
Oil Cooler Manifold Fig 5-15r02



## Oil Cooler Manifold Fig 5-15r02

REF. NO.	*	PART NO.	DESCRIPTION	QTY.	REMARKS
		Revision Date	March, 2006		Update In Illustration & Parts List.
1		282782001	MANIFOLD - OIL COOLER	1	
2		53828001	#12M O-RING-#12M JIC ST.	2	
3		53871001	#10M O-RING X 12M JIC 90	1	
4		5553001	FITTING - PLUG - 6MORB - HEX	1	
5		53845661	HOSE-3/4X34 12FS JIC 12FS 90DE	1	
6		296282306	HOSE-3/4X27 12FSJIC ST/90 M3K	1	
7		53824001	FITTING-#8M O-RING-#8M JIC ST.	1	
8		53844093	HOSE-1/2X21 8FS JIC (100R2)	1	
9		53845195	HOSE-3/4X47 12FS JIC 100R4	1	
10		510337603	WASHER-FLATSTD-.25-.31X.75-.07-YZ	2	
11		250644001	BOLT-1/4-20 X2 1/4 GR 8 Y/ZINC	2	

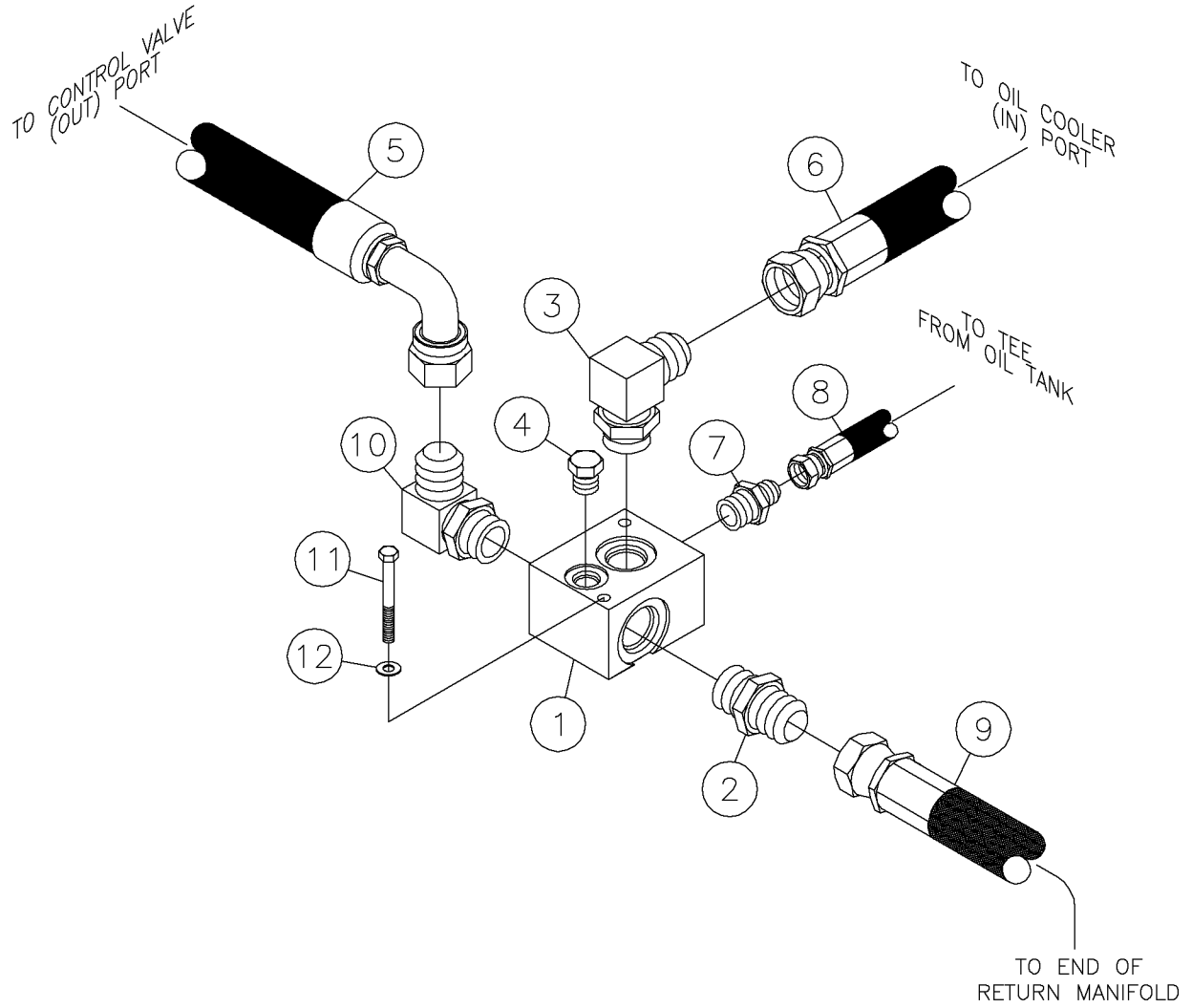
Oil Cooler Manifold Fig 5-15r01



## Oil Cooler Manifold Fig 5-15r01

REF. NO.	*	PART NO.	DESCRIPTION	QTY.	REMARKS
		Revision Date	March, 2005		Update In Illustration & Parts List.
1		282782001	MANIFOLD - OIL COOLER	1	
2		53828001	#12M O-RING-#12M JIC ST.	2	
3		53871001	#10M O-RING X 12M JIC 90	1	
4		5553001	FITTING - PLUG - 6MORB - HEX	1	
5		53845581	HOSE-3/4X34 12FS JIC 3000 PSI	1	
6		276782001	HOSE-3/4X23 12FSJIC ST/90 M3K	1	
7		53824001	FITTING-#8M O-RING-#8M JIC ST.	1	
8		53844093	HOSE-1/2X21 8FS JIC (100R2)	1	
9		53845195	HOSE-3/4X47 12FS JIC 100R4	1	
10		510337603	WASHER-FLATSTD-.25-.31X.75-.07-YZ	2	
11		250644001	BOLT-1/4-20 X2 1/4 GR 8 Y/ZINC	2	

Oil Cooler Manifold Fig 5-15



## Oil Cooler Manifold Fig 5-15

REF. NO.	*	PART NO.	DESCRIPTION	QTY.	REMARKS
1		282782001	MANIFOLD - OIL COOLER	1	
2		53828001	#12M O-RING-#12M JIC ST.	1	
3		53871001	#10M O-RING X 12M JIC 90	1	
4		5553001	FITTING - PLUG - 6MORB - HEX	1	
5		53845661	HOSE-3/4X34 12FS JIC 12FS 90DE	1	
6		276782001	HOSE-3/4X23 12FSJIC ST/90 M3K	1	
7		53824001	FITTING-#8M O-RING-#8M JIC ST.	1	
8		53844193	HOSE-1/2X34 8FS JIC 2000PSI	1	
9		53845195	HOSE-3/4X47 12FS JIC 100R4	1	
10		59410001	FITTING-90-12MJ-12MORBA	1	
11		250644001	BOLT-1/4-20 X2 1/4 GR 8 Y/ZINC	2	
12		252251001	WASHER-1/4 SAE FLAT ZP	2	

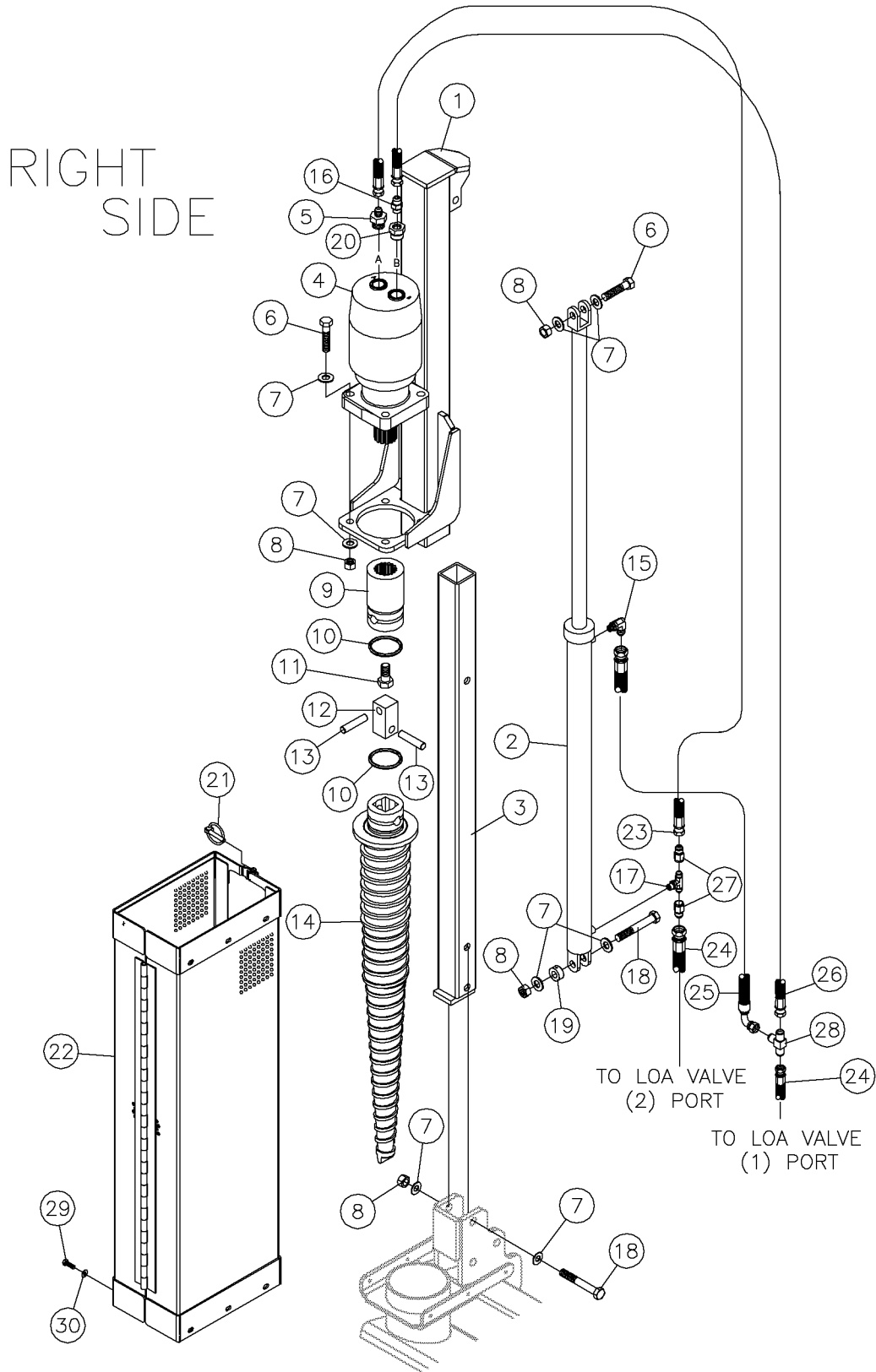




## Right Stakedown Hydraulics (S/N 716-) Fig 5-16r04

REF. NO.	*	PART NO.	DESCRIPTION	QTY.	REMARKS
		Revision Date	August, 2007		Move Latch On Shield
1		296278546	TUBE - STAKEDOWN SLIDE	1	
2		296285659	CYLINDER - 1-1/2 X 24	1	(S/N 632-)
		296271163	SEAL KIT	1	
3		296278556	TUBE - STAKEDOWN BASE	1	
4		296257255	MOTOR - 20.6 CU. IN. HYD.	1	Breakdown Fig. 12-10
5		57946001	10MX#6JIC ST ADAPTER	1	
6		240335001	BOLT-1/2-13X2 1/4 GR8 ZINC PLT	5	
7		485025	WASHER-1/2 FLAT-HARDENED-YZ	16	
8		250512001	NUT- 1/2 NC Gr8 TOP LOCK Y/ ZINC	8	
9		296257177	COUPLER - STAKEDOWN	1	
10		236229001	O-RING - 329	2	
11		384012	BOLT-5/8-18X1 1/4 GRADE 8	1	
12		236230001	BAR-STAKE DRIVE	1	
13		236200001	PIN-STAKE KEEPER	2	
14		296276563	STAKE - TAPERED	1	Option for hard surfaces
		236197001	STAKE-4" SQ. DRIVE	1	Standard
15		60906001	4MX6M JIC 90 DEG ELBOW	1	
16		296278530	FITTING - STR-6MJ-6MORB-R.078	1	
17		81343001	4M (BCH)X4M JICX4M JIC TEE	1	
18		238241001	BOLT 1/2"-13X 3 1/2" GR8 HEX	3	
19		1500003	SET COLLAR - 1/2 PLATED	1	
20		57967001	FITTING - STR - 10MORB - 6FORB	1	
21		1797003	PIN-QUICK ATTACHMENT LATCH 1/4"-XCX 6M DIA"	2	
22	*	296277529	SHIELD - STAKEDOWN	1	(S/N 716-)
23		57940813	HOSE - 3/8 X 55 6FS JIC 3000 PSI	1	
24		296277300	HOSE-HYD-.38X14-6FSJ-ST/ST-3000PSI-M3K	2	
25		296277603	HOSE-HYD-.38X26-6FSJ-ST/90-3000PSI-M3K	1	
26		296277604	HOSE-HYD-.38X57-6FSJ-ST/ST-3000PSI-M3K-B	1	
27		296280257	FITTING - HYD - 4FJ-6MJ STR	2	
28		57953001	#6 JIC TEE	1	
29		235734001	BOLT-1/4-20X3/4 GR8 ZINC PLTD	4	
30		235716001	WASHER - FLATSTRL - .25 -.28 X .63 - .06 - CZ	4	

Right Stakedown Hydraulics (S/N 632-715) Fig 5-16r03



## Right Stakedown Hydraulics (S/N 632-715) Fig 5-16r03

REF. NO.	*	PART NO.	DESCRIPTION	QTY.	REMARKS
		Revision Date	March, 2006		Update In Parts List.
1		296278546	TUBE - STAKEDOWN SLIDE	1	
2	*	296285659	CYLINDER - 1-1/2 X 24	1	(S/N 632-)
	*	296271163	SEAL KIT	1	
3		296278556	TUBE - STAKEDOWN BASE	1	
4		296257255	MOTOR - 20.6 CU. IN. HYD.	1	Breakdown Fig. 12-10
5		57946001	10MX#6JIC ST ADAPTER	1	
6		240335001	BOLT-1/2-13X2 1/4 GR8 ZINC PLT	5	
7		485025	WASHER-1/2 FLAT-HARDENED-YZ	16	
8		250512001	NUT- 1/2 NC Gr8 TOP LOCK Y/ ZINC	8	
9		296257177	COUPLER - STAKEDOWN	1	
10		236229001	O-RING - 329	2	
11		384012	BOLT-5/8-18X1 1/4 GRADE 8	1	
12		236230001	BAR-STAKE DRIVE	1	
13		236200001	PIN-STAKE KEEPER	2	
14		296276563	STAKE - TAPERED	1	Option for hard surfaces
		236197001	STAKE-4" SQ. DRIVE	1	Standard
15		60906001	4MX6M JIC 90 DEG ELBOW	1	
16		296278530	FITTING - STR-6MJ-6MORB-R.078	1	
17		81343001	4M (BCH)X4M JICX4M JIC TEE	1	
18		238241001	BOLT 1/2"-13X 3 1/2" GR8 HEX	3	
19		1500003	SET COLLAR - 1/2 PLATED	1	
20		57967001	FITTING - STR - 10MORB - 6FORB	1	
21		1797003	PIN-QUICK ATTACHMENT LATCH 1/4"-XCX 6M DIA"	2	
22		296277529	SHIELD - STAKEDOWN	1	
23		57940813	HOSE - 3/8 X 55 6FS JIC 3000 PSI	1	
24		296277300	HOSE-HYD-.38X14-6FSJ-ST/ST-3000PSI-M3K	2	
25		296277603	HOSE-HYD-.38X26-6FSJ-ST/90-3000PSI-M3K	1	
26		296277604	HOSE-HYD-.38X57-6FSJ-ST/ST-3000PSI-M3K-B	1	
27		296280257	FITTING - HYD - 4FJ-6MJ STR	2	
28		57953001	#6 JIC TEE	1	
29		235734001	BOLT-1/4-20X3/4 GR8 ZINC PLTD	4	
30		235716001	WASHER - FLATSTRL - .25 -.28 X .63 - .06 - CZ	4	



## Right Stakedown Hydraulics (S/N 144-631) Fig 5-16r02

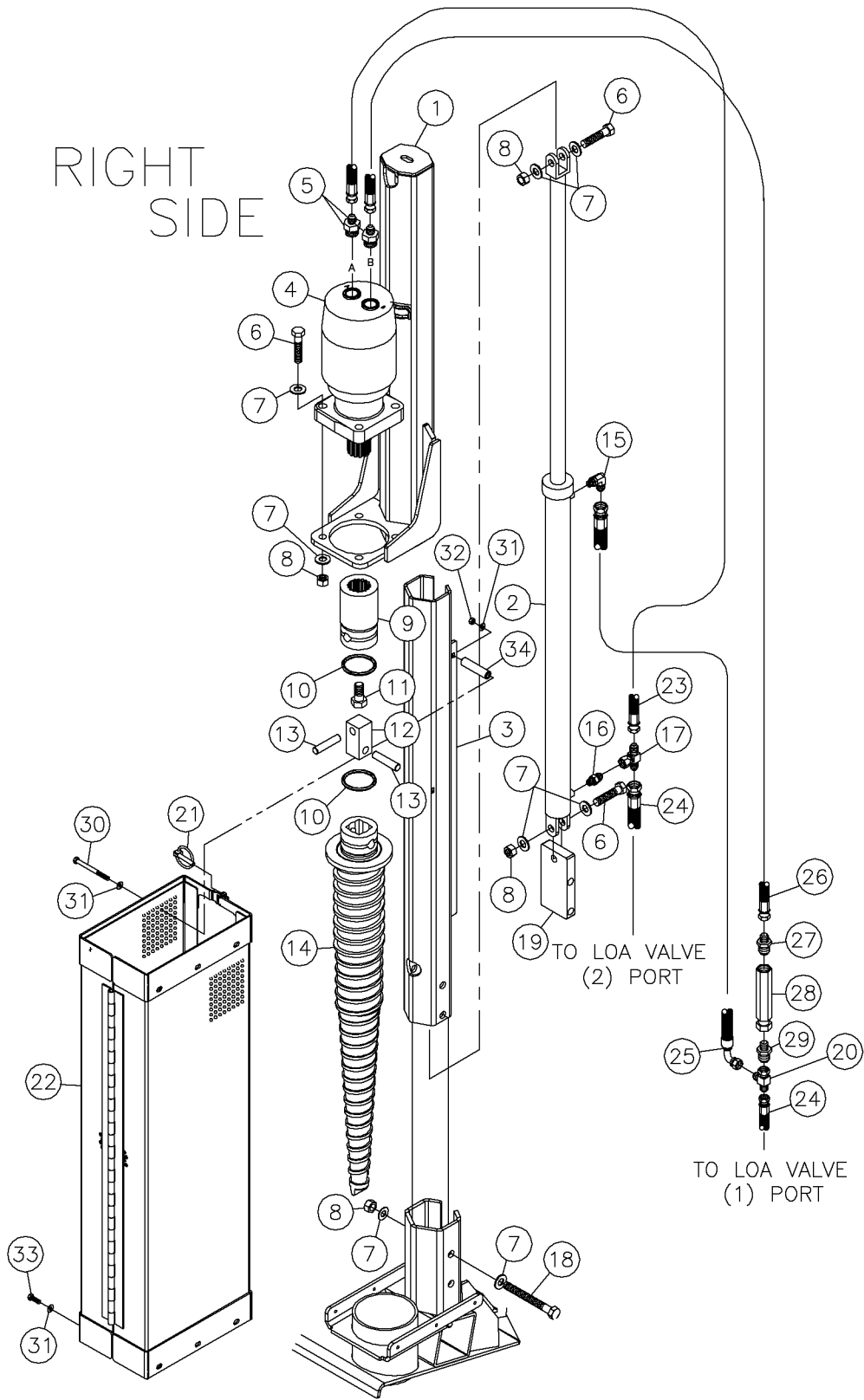
REF. NO.	*	PART NO.	DESCRIPTION	QTY.	REMARKS
		Revision Date	March, 2006		Update In Parts List.
1		296278546	TUBE - STAKEDOWN SLIDE	1	
2		287588001	CYLINDER - 1-1/2 X 24	1	
		232422029	SEAL KIT	1	
3		296278556	TUBE - STAKEDOWN BASE	1	
4		296257255	MOTOR - 20.6 CU. IN. HYD.	1	Breakdown Fig. 12-10
5		57946001	10MX#6JIC ST ADAPTER	1	
6		240335001	BOLT-1/2-13X2 1/4 GR8 ZINC PLT	5	
7		485025	WASHER-1/2 FLAT-HARDENED-YZ	16	
8		250512001	NUT- 1/2 NC Gr8 TOP LOCK Y/ ZINC	8	
9		296257177	COUPLER - STAKEDOWN	1	
10		236229001	O-RING - 329	2	
11		384012	BOLT-5/8-18X1 1/4 GRADE 8	1	
12		236230001	BAR-STAKE DRIVE	1	
13		236200001	PIN-STAKE KEEPER	2	
14		296276563	STAKE - TAPERED	1	Option for hard surfaces
		236197001	STAKE-4" SQ. DRIVE	1	Standard
15		60906001	4MX6M JIC 90 DEG ELBOW	1	
16		296278530	FITTING - STR-6MJ-6MORB-R.078	1	
17		81343001	4M (BCH)X4M JICX4M JIC TEE	1	
18		238241001	BOLT 1/2"-13X 3 1/2" GR8 HEX	3	
19		1500003	SET COLLAR - 1/2 PLATED	1	
20		57967001	FITTING - STR - 10MORB - 6FORB	1	
21		1797003	PIN-QUICK ATTACHMENT LATCH 1/4"-XCX 6M DIA"	2	
22		296277529	SHIELD - STAKEDOWN	1	
23		57940813	HOSE - 3/8 X 55 6FS JIC 3000 PSI	1	
24		296277300	HOSE-HYD-.38X14-6FSJ-ST/ST-3000PSI-M3K	2	
25		296277603	HOSE-HYD-.38X26-6FSJ-ST/90-3000PSI-M3K	1	
26		296277604	HOSE-HYD-.38X57-6FSJ-ST/ST-3000PSI-M3K-B	1	
27		296280257	FITTING - HYD - 4FJ-6MJ STR	2	
28		57953001	#6 JIC TEE	1	
29		235734001	BOLT-1/4-20X3/4 GR8 ZINC PLTD	4	
30		235716001	WASHER - FLATSTRL - .25 -.28 X .63 - .06 - CZ	4	



## Right Stakedown Hydraulics (S/N 113-) Fig 5-16r01

REF. NO.	*	PART NO.	DESCRIPTION	QTY.	REMARKS
		Revision Date	March, 2005		Update In Illustration & Parts List.
1		296278546	TUBE - STAKEDOWN SLIDE	1	
2		287588001	CYLINDER - 1-1/2 X 24	1	
		232422029	SEAL KIT	1	
3		296278556	TUBE - STAKEDOWN BASE	1	
4		296257255	MOTOR - 20.6 CU. IN. HYD.	1	Breakdown Fig. 12-10
5		57946001	10MX#6JIC ST ADAPTER	1	
6		240335001	BOLT-1/2-13X2 1/4 GR8 ZINC PLT	5	
7		485025	WASHER-1/2 FLAT-HARDENED-YZ	16	
8		250512001	NUT- 1/2 NC Gr8 TOP LOCK Y/ ZINC	8	
9		296257177	COUPLER - STAKEDOWN	1	
10		236229001	O-RING - 329	2	
11		384012	BOLT-5/8-18X1 1/4 GRADE 8	1	
12		236230001	BAR-STAKE DRIVE	1	
13		236200001	PIN-STAKE KEEPER	2	
14		296276563	STAKE - TAPERED	1	Option for hard surfaces
		236197001	STAKE-4" SQ. DRIVE	1	Standard
15		60906001	4MX6M JIC 90 DEG ELBOW	1	
16		296278530	FITTING - STR-6MJ-6MORB-R.078	1	
17		81343001	4M (BCH)X4M JICX4M JIC TEE	1	
18		238241001	BOLT 1/2"-13X 3 1/2" GR8 HEX	3	
19		1500003	SET COLLAR - 1/2 PLATED	1	
20		57967001	FITTING - STR - 10MORB - 6FORB	1	
21		1797003	PIN-QUICK ATTACHMENT LATCH 1/4"-XCX 6M DIA"	2	
22		296277529	SHIELD - STAKEDOWN	1	
23		57940813	HOSE - 3/8 X 55 6FS JIC 3000 PSI	1	
24		296277300	HOSE-HYD-.38X14-6FSJ-ST/ST-3000PSI-M3K	2	
25		296277603	HOSE-HYD-.38X26-6FSJ-ST/90-3000PSI-M3K	1	
26		296277604	HOSE-HYD-.38X57-6FSJ-ST/ST-3000PSI-M3K-B	1	
27		296280257	FITTING - HYD - 4FJ-6MJ STR	2	
28		57953001	#6 JIC TEE	1	
29		235734001	BOLT-1/4-20X3/4 GR8 ZINC PLTD	4	
30		235716001	WASHER - FLATSTRL - .25 -.28 X .63 - .06 - CZ	4	

Right Stakedown Hydraulics Fig 5-16

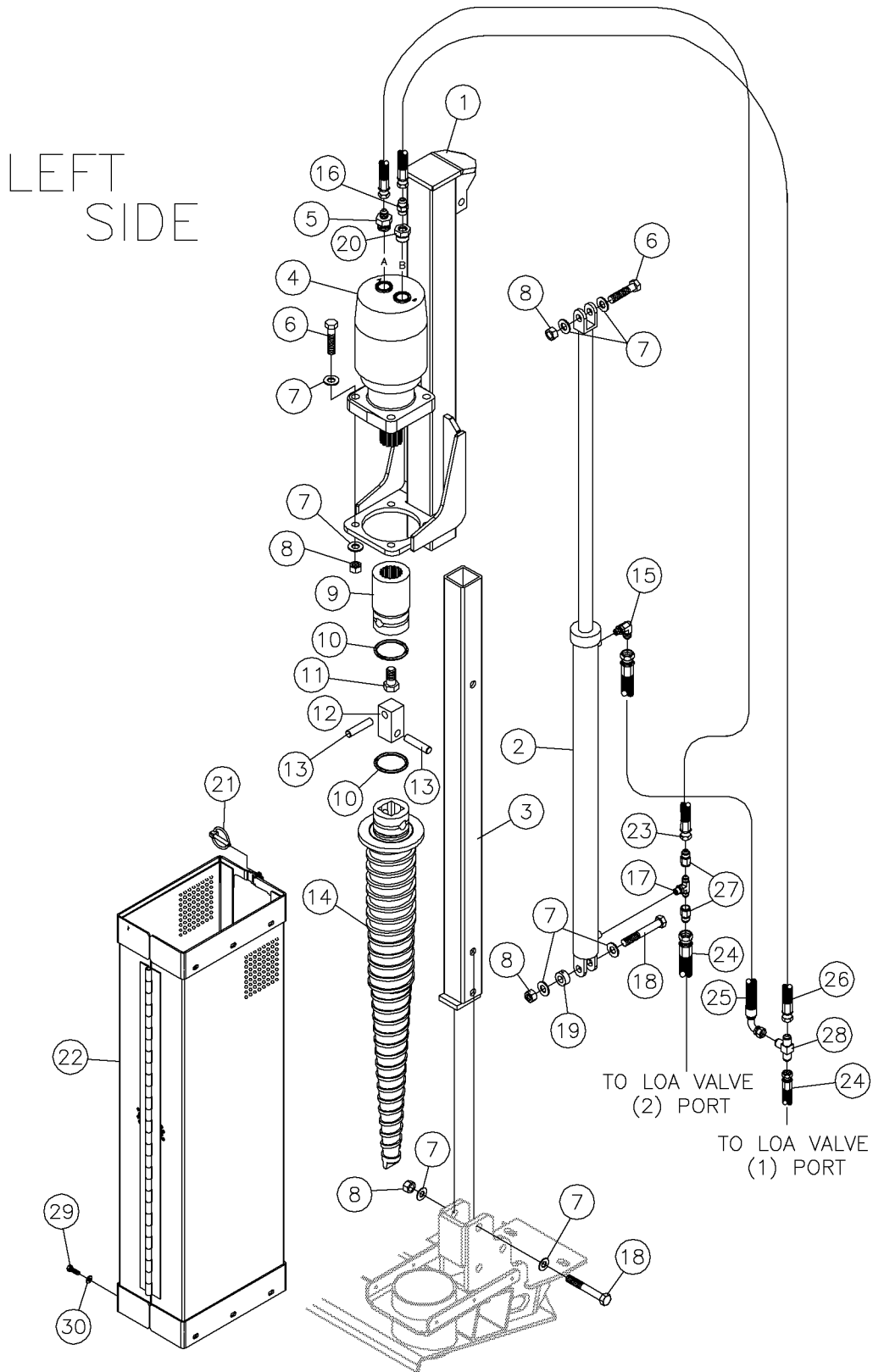




## Right Stakedown Hydraulics Fig 5-16

REF. NO.	*	PART NO.	DESCRIPTION	QTY.	REMARKS
1		296276559	SLIDE - HEX STAKEDOWN	1	
2		287588001	CYLINDER - 1-1/2 X 24	1	
		232422029	SEAL KIT	1	
3		296276557	UPRIGHT - HEX STAKEDOWN	1	
4		296257255	MOTOR - 20.6 CU. IN. HYD.	1	Breakdown Fig. 12-10
5		57946001	10MX#6JIC ST ADAPTER	1	
6		240335001	BOLT-1/2-13X2 1/4 GR8 ZINC PLT	8	
7		485025	WASHER-1/2 FLAT-HARDENED-YZ	16	
8		250512001	NUT- 1/2 NC Gr8 TOP LOCK Y/ ZINC	8	
9		288207001	COUPLER - SPLINED	1	
10		236229001	O-RING - 329	1	
11		384012	BOLT-5/8-18X1 1/4 GRADE 8	1	
12		236230001	BAR-STAKE DRIVE	1	
13		236200001	PIN-STAKE KEEPER	2	
14		296276563	STAKE - TAPERED	1	
15		60906001	4MX6M JIC 90 DEG ELBOW	1	
16		65569001	4M X 6M JIC ST.	1	
17		60852001	6M JICX6FS JIC SWIV.NUT B TEE	1	
18		250568001	SCREW - HCS-.50-13 X 4.50-GR 8-YZ	1	
19		296277524	MOUNT - CYLINDER	1	
20		59427001	TEE-6MJ-6FSJ-6MJ	1	
21		1797003	PIN-QUICK ATTACHMENT LATCH 1/4"-XCX 6M DIA"	1	
22		296277529	SHIELD - STAKEDOWN	1	
23		296277605	HOSE-HYD-.38X52-6FSJ-ST/ST-3000PSI-M3K	1	
24		296277607	HOSE-HYD-.38X160-6FSJ-ST/ST-3000PSI-M3K	2	
25		296277603	HOSE-HYD-.38X26-6FSJ-ST/90-3000PSI-M3K	1	
26		296277604	HOSE-HYD-.38X57-6FSJ-ST/ST-3000PSI-M3K-B	1	
27		510501203	FITTING - STR - 6MJ - R.062	1	
28		232498001	VALVE- RELIEF(750 PSI)	1	
29		57947001	3/8"MX#6JIC ST ADAPTER	1	
30		503530001	BOLT-1/4 NC X 3 GR8 HEX	2	
31		235716001	WASHER - FLATSTRL - .25 -.28 X .63 - .06 - CZ	10	
32		235732001	NUT - HEX - .25 - 20 - GR8 - YZ	2	
33		235734001	BOLT-1/4-20X3/4 GR8 ZINC PLTD	6	
34		296277284	TUBE -SPACER	2	

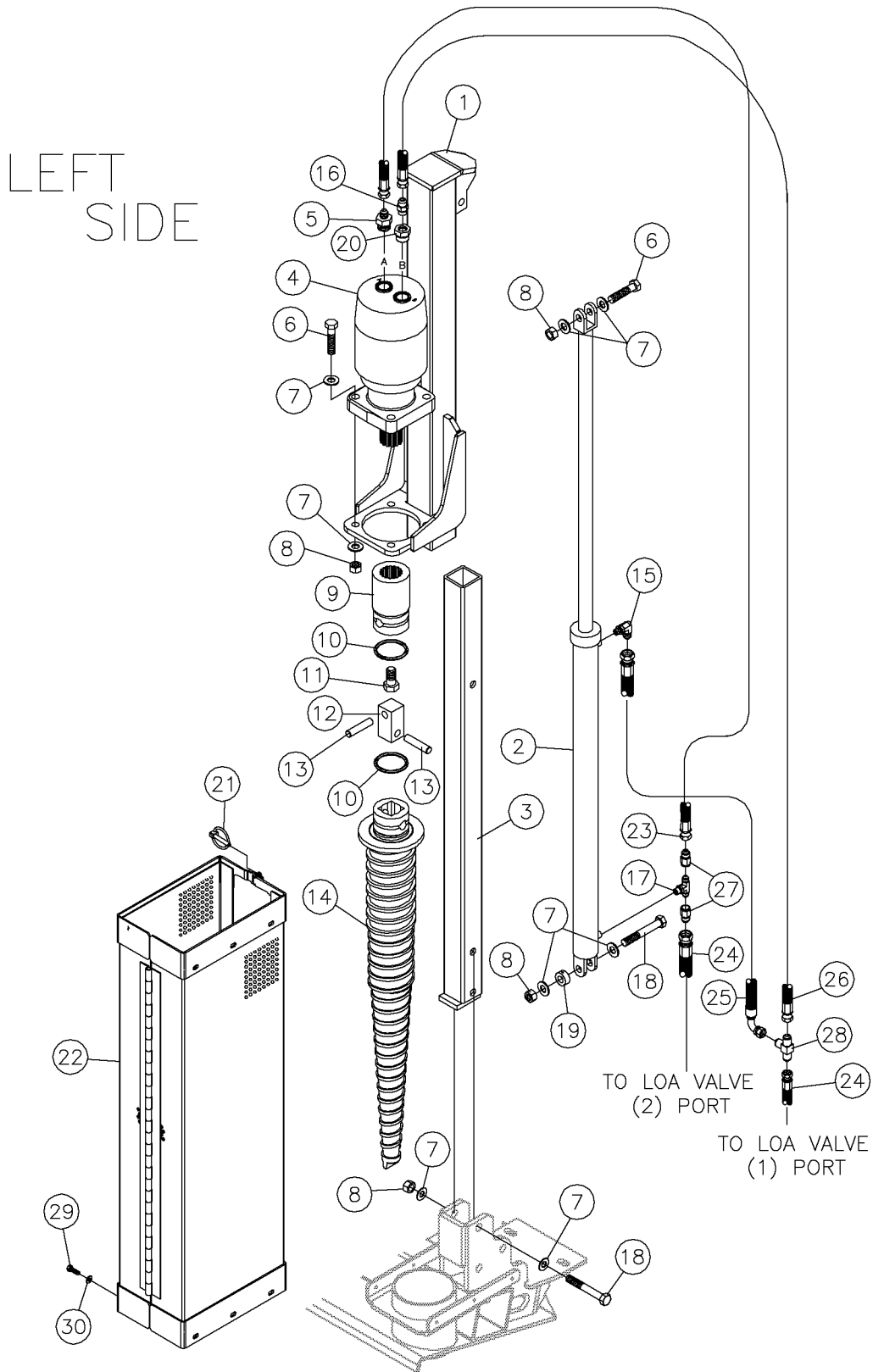
Left Stakedown Hydraulics (S/N 632-) Fig 5-17r03



## Left Stakedown Hydraulics (S/N 632-) Fig 5-17r03

REF. NO.	*	PART NO.	DESCRIPTION	QTY.	REMARKS
		Revision Date	October, 2007		Change Hose
1		296278546	TUBE - STAKEDOWN SLIDE	1	
2	*	296285659	CYLINDER - 1-1/2 X 24	1	(S/N 632-)
	*	296271163	REPAIR KIT	1	
3		296278556	TUBE - STAKEDOWN BASE	1	
4		296257255	MOTOR - 20.6 CU. IN. HYD.	1	Breakdown Fig. 12-10
5		57946001	10MX#6JIC ST ADAPTER	1	
6		240335001	SCREW-HCS-.50-13X2.25-GR8-YZ	5	
7		485025	WASHER-1/2 FLAT-HARDENED-YZ	16	
8		250512001	NUT- 1/2 NC Gr8 TOP LOCK Y/ ZINC	8	
9		296257177	COUPLER - STAKEDOWN	1	
10		236229001	O-RING - 329	2	
11		384012	BOLT-5/8-18X1 1/4 GRADE 8	1	
12		236230001	BAR-STAKE DRIVE	1	
13		236200001	PIN-STAKE KEEPER	2	
14		296276563	STAKE - TAPERED	1	Option for hard surfaces
		236197001	STAKE-4" SQ. DRIVE	1	Standard
15		60906001	4MX6M JIC 90 DEG ELBOW	1	
16		296278530	FITTING - STR-6MJ-6MORB-R.078	1	
17		81343001	4M (BCH)X4M JICX4M JIC TEE	1	
18		238241001	BOLT 1/2"-13X 3 1/2" GR8 HEX	3	
19		1500003	SET COLLAR - 1/2 PLATED	1	
20		57967001	FITTING - STR - 10MORB - 6FORB	1	
21		1797003	PIN-QUICK LATCH 1/4"- XCX 6M DIA ZYC	2	
22		296277529	SHIELD - STAKEDOWN	1	
23		57940813	HOSE - 3/8 X 55 6FS JIC 3000 PSI	1	
24	*	296290298	HOSE-HYD-.38X155-6FSJ-ST/ST-3000PSI-M3K-BNS	2	
25		296277603	HOSE-HYD-.38X26-6FSJ-ST/90-3000PSI-M3K	1	
26		296277604	HOSE-HYD-.38X57-6FSJ-ST/ST-3000PSI-M3K-B	1	
27		296280257	FITTING - HYD - 4FJ-6MJ STR	2	
28		57953001	#6 JIC TEE	1	
29		235734001	BOLT-1/4-20X3/4 GR8 ZYC	4	
30		235716001	WASHER - FLATSTRL - .25 -.28 X .63 - .06 - CZ	4	

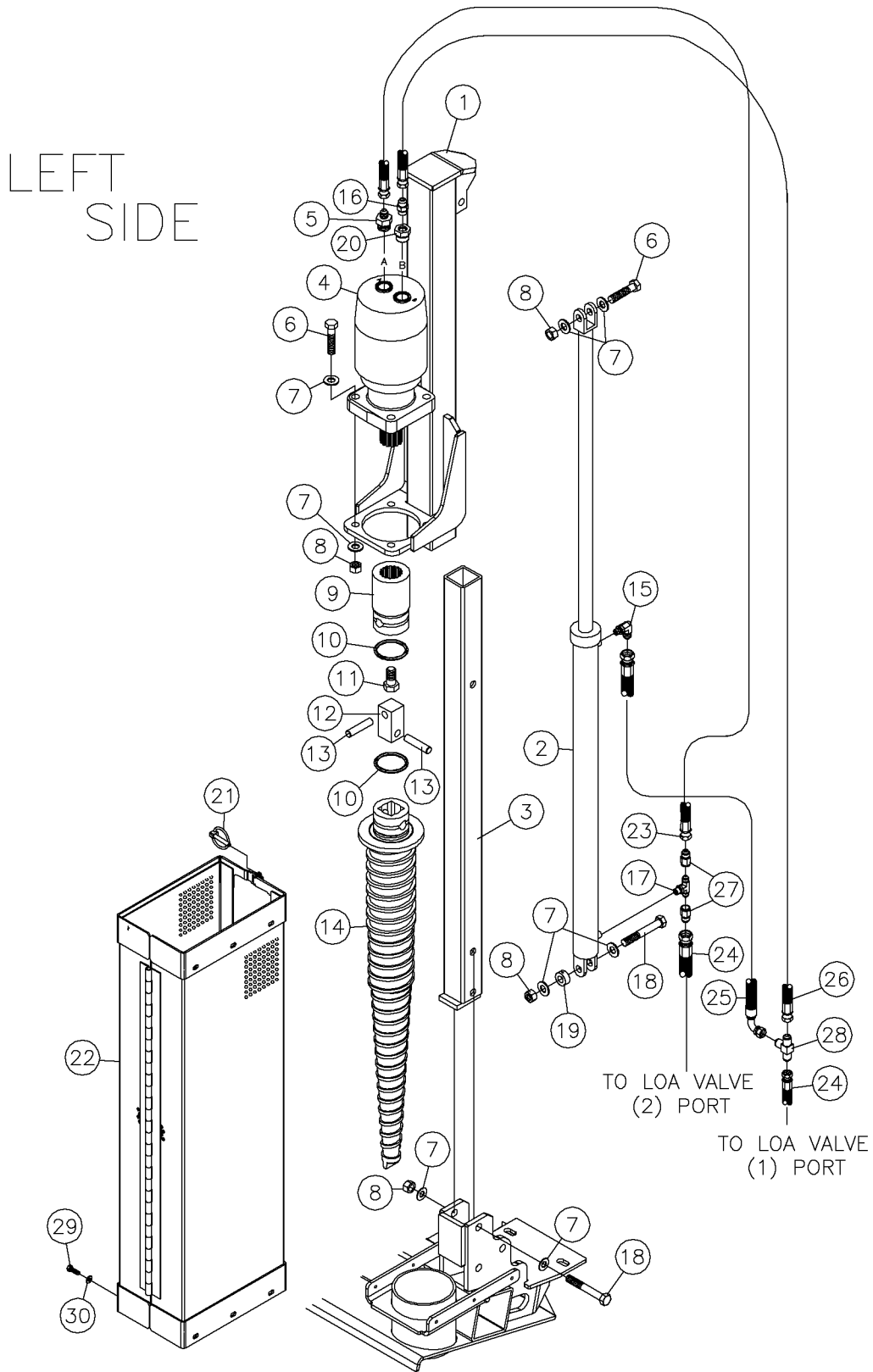
Left Stakedown Hydraulics (S/N 144-631) Fig 5-17r02



## Left Stakedown Hydraulics (S/N 144-631) Fig 5-17r02

REF. NO.	*	PART NO.	DESCRIPTION	QTY.	REMARKS
		Revision Date	March, 2006		Update In Parts List.
1		296278546	TUBE - STAKEDOWN SLIDE	1	
2		287588001	CYLINDER - 1-1/2 X 24	1	
		232422029	SEAL KIT	1	
3		296278556	TUBE - STAKEDOWN BASE	1	
4		296257255	MOTOR - 20.6 CU. IN. HYD.	1	Breakdown Fig. 12-10
5		57946001	10MX#6JIC ST ADAPTER	1	
6		240335001	BOLT-1/2-13X2 1/4 GR8 ZINC PLT	5	
7		485025	WASHER-1/2 FLAT-HARDENED-YZ	16	
8		250512001	NUT- 1/2 NC Gr8 TOP LOCK Y/ ZINC	8	
9		296257177	COUPLER - STAKEDOWN	1	
10		236229001	O-RING - 329	2	
11		384012	BOLT-5/8-18X1 1/4 GRADE 8	1	
12		236230001	BAR-STAKE DRIVE	1	
13		236200001	PIN-STAKE KEEPER	2	
14		296276563	STAKE - TAPERED	1	Option for hard surfaces
		236197001	STAKE-4" SQ. DRIVE	1	Standard
15		60906001	4MX6M JIC 90 DEG ELBOW	1	
16		296278530	FITTING - STR-6MJ-6MORB-R.078	1	
17		81343001	4M (BCH)X4M JICX4M JIC TEE	1	
18		238241001	BOLT 1/2"-13X 3 1/2" GR8 HEX	3	
19		1500003	SET COLLAR - 1/2 PLATED	1	
20		57967001	FITTING - STR - 10MORB - 6FORB	1	
21		1797003	PIN-QUICK ATTACHMENT LATCH 1/4"-XCX 6M DIA"	2	
22		296277529	SHIELD - STAKEDOWN	1	
23		57940813	HOSE - 3/8 X 55 6FS JIC 3000 PSI	1	
24		296277607	HOSE-HYD-.38X143-6FSJ-ST/ST-3000PSI-M3K	2	
25		296277603	HOSE-HYD-.38X26-6FSJ-ST/90-3000PSI-M3K	1	
26		296277604	HOSE-HYD-.38X57-6FSJ-ST/ST-3000PSI-M3K-B	1	
27		296280257	FITTING - HYD - 4FJ-6MJ STR	2	
28		57953001	#6 JIC TEE	1	
29		235734001	BOLT-1/4-20X3/4 GR8 ZINC PLTD	4	
30		235716001	WASHER - FLATSTRL - .25 -.28 X .63 - .06 - CZ	4	

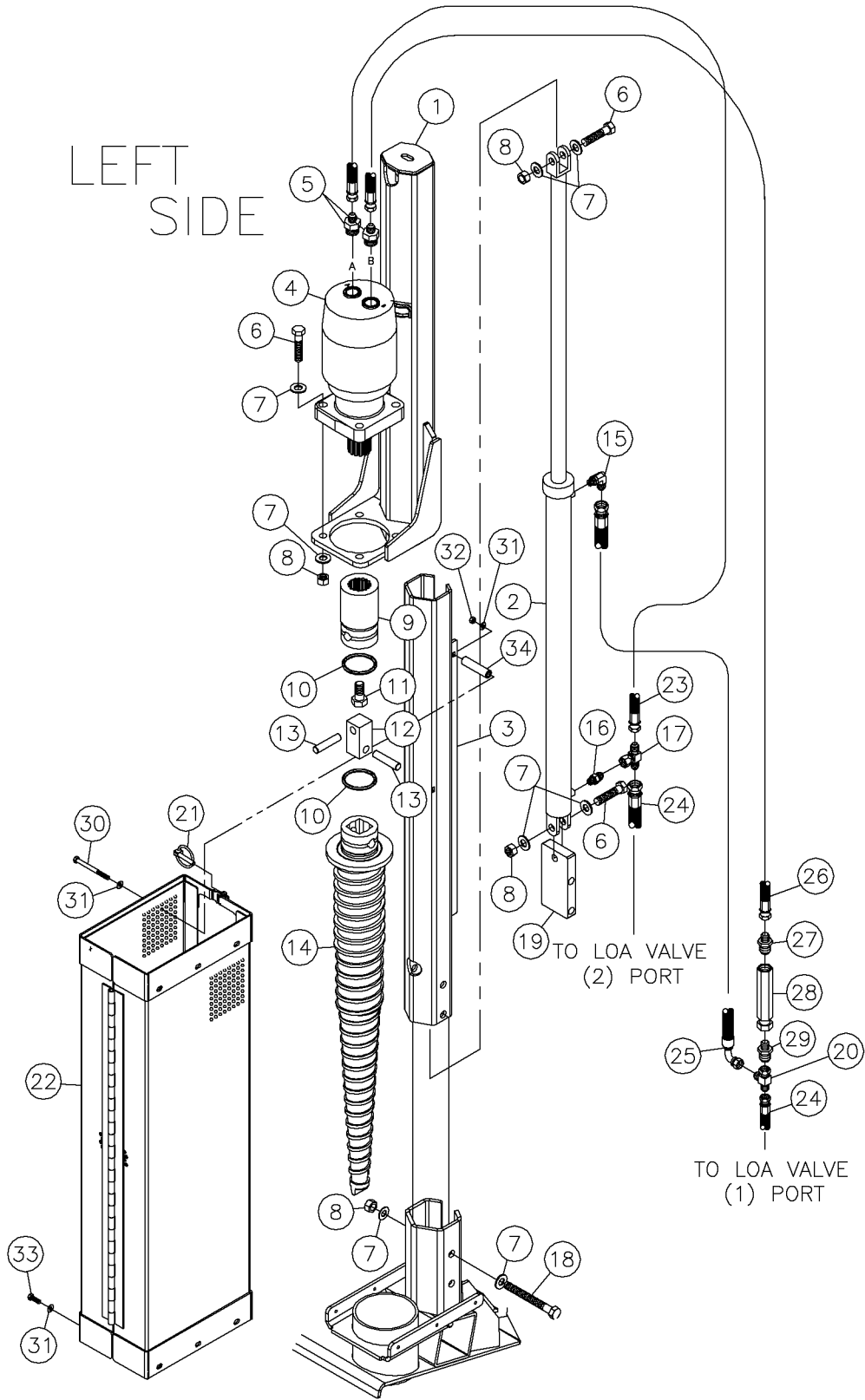
Left Stakedown Hydraulics (S/N 113-) Fig 5-17r01



## Left Stakedown Hydraulics (S/N 113-) Fig 5-17r01

REF. NO.	*	PART NO.	DESCRIPTION	QTY.	REMARKS
		Revision Date	March, 2005		Update In Illustration & Parts List.
1		296278546	TUBE - STAKEDOWN SLIDE	1	
2		287588001	CYLINDER - 1-1/2 X 24	1	
		232422029	SEAL KIT	1	
3		296278556	TUBE - STAKEDOWN BASE	1	
4		296257255	MOTOR - 20.6 CU. IN. HYD.	1	Breakdown Fig. 12-10
5		57946001	10MX#6JIC ST ADAPTER	1	
6		240335001	BOLT-1/2-13X2 1/4 GR8 ZINC PLT	5	
7		485025	WASHER-1/2 FLAT-HARDENED-YZ	16	
8		250512001	NUT- 1/2 NC Gr8 TOP LOCK Y/ ZINC	8	
9		296257177	COUPLER - STAKEDOWN	1	
10		236229001	O-RING - 329	2	
11		384012	BOLT-5/8-18X1 1/4 GRADE 8	1	
12		236230001	BAR-STAKE DRIVE	1	
13		236200001	PIN-STAKE KEEPER	2	
14		296276563	STAKE - TAPERED	1	Option for hard surfaces
		236197001	STAKE-4" SQ. DRIVE	1	Standard
15		60906001	4MX6M JIC 90 DEG ELBOW	1	
16		296278530	FITTING - STR-6MJ-6MORB-R.078	1	
17		81343001	4M (BCH)X4M JICX4M JIC TEE	1	
18		238241001	BOLT 1/2"-13X 3 1/2" GR8 HEX	3	
19		1500003	SET COLLAR - 1/2 PLATED	1	
20		57967001	FITTING - STR - 10MORB - 6FORB	1	
21		1797003	PIN-QUICK ATTACHMENT LATCH 1/4"-XCX 6M DIA"	2	
22		296277529	SHIELD - STAKEDOWN	1	
23		57940813	HOSE - 3/8 X 55 6FS JIC 3000 PSI	1	
24		296277607	HOSE-HYD-.38X143-6FSJ-ST/ST-3000PSI-M3K	2	
25		296277603	HOSE-HYD-.38X26-6FSJ-ST/90-3000PSI-M3K	1	
26		296277604	HOSE-HYD-.38X57-6FSJ-ST/ST-3000PSI-M3K-B	1	
27		296280257	FITTING - HYD - 4FJ-6MJ STR	2	
28		57953001	#6 JIC TEE	1	
29		235734001	BOLT-1/4-20X3/4 GR8 ZINC PLTD	4	
30		235716001	WASHER - FLATSTRL - .25 -.28 X .63 - .06 - CZ	4	

Left Stakedown Hydraulics Fig 5-17

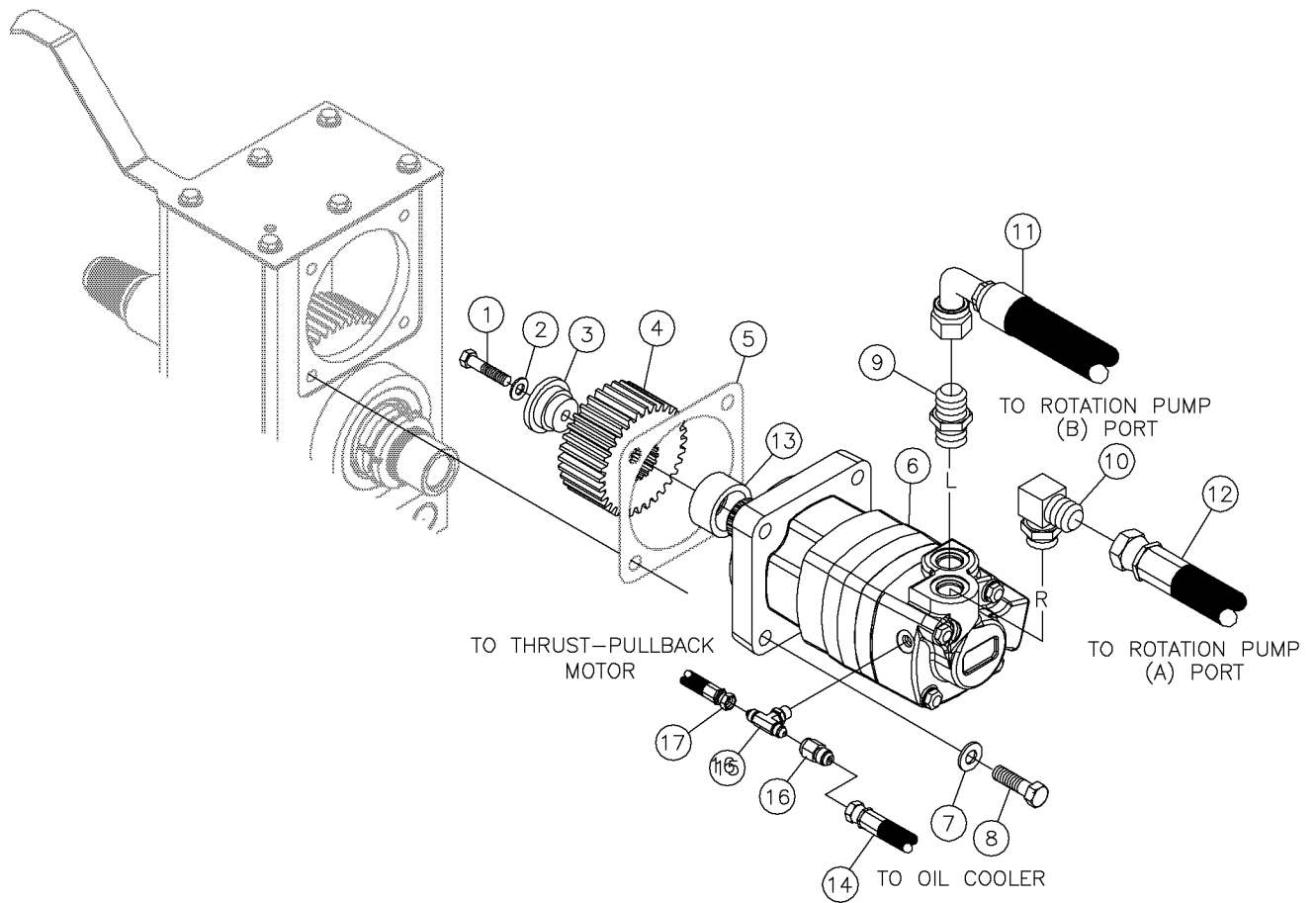




## Left Stakedown Hydraulics Fig 5-17

REF. NO.	*	PART NO.	DESCRIPTION	QTY.	REMARKS
1		296276559	SLIDE - HEX STAKEDOWN	1	
2		287588001	CYLINDER - 1-1/2 X 24	1	
		232422029	SEAL KIT	1	
3		296276557	UPRIGHT - HEX STAKEDOWN	1	
4		296257255	MOTOR - 20.6 CU. IN. HYD.	1	Breakdown Fig. 12-10
5		57946001	10MX#6JIC ST ADAPTER	1	
6		240335001	BOLT-1/2-13X2 1/4 GR8 ZINC PLT	8	
7		485025	WASHER-1/2 FLAT-HARDENED-YZ	16	
8		250512001	NUT- 1/2 NC Gr8 TOP LOCK Y/ ZINC	8	
9		288207001	COUPLER - SPLINED	1	
10		236229001	O-RING - 329	1	
11		384012	BOLT-5/8-18X1 1/4 GRADE 8	1	
12		236230001	BAR-STAKE DRIVE	1	
13		236200001	PIN-STAKE KEEPER	2	
14		296276563	STAKE - TAPERED	1	
15		60906001	4MX6M JIC 90 DEG ELBOW	1	
16		65569001	4M X 6M JIC ST.	1	
17		60852001	6M JICX6FS JIC SWIV.NUT B TEE	1	
18		250568001	SCREW - HCS-.50-13 X 4.50-GR 8-YZ	1	
19		296277524	MOUNT - CYLINDER	1	
20		59427001	TEE-6MJ-6FSJ-6MJ	1	
21		1797003	PIN-QUICK ATTACHMENT LATCH 1/4"-XCX 6M DIA"	1	
22		296277529	SHIELD - STAKEDOWN	1	
23		296277605	HOSE-HYD-.38X52-6FSJ-ST/ST-3000PSI-M3K	1	
24		296277300	HOSE-HYD-.38X146FSJ-ST/ST-3000PSI-M3K	2	
25		296277603	HOSE-HYD-.38X26-6FSJ-ST/90-3000PSI-M3K	1	
26		296277604	HOSE-HYD-.38X57-6FSJ-ST/ST-3000PSI-M3K-B	1	
27		510501203	FITTING - STR - 6MJ - R.062	1	
28		232498001	VALVE- RELIEF(750 PSI)	1	
29		57947001	3/8"MX#6JIC ST ADAPTER	1	
30		503530001	BOLT-1/4 NC X 3 GR8 HEX	2	
31		235716001	WASHER - FLATSTRL - .25 -.28 X .63 - .06 - CZ	10	
32		235732001	NUT - HEX - .25 - 20 - GR8 - YZ	2	
33		235734001	BOLT-1/4-20X3/4 GR8 ZINC PLTD	6	
34		296277284	TUBE -SPACER	2	

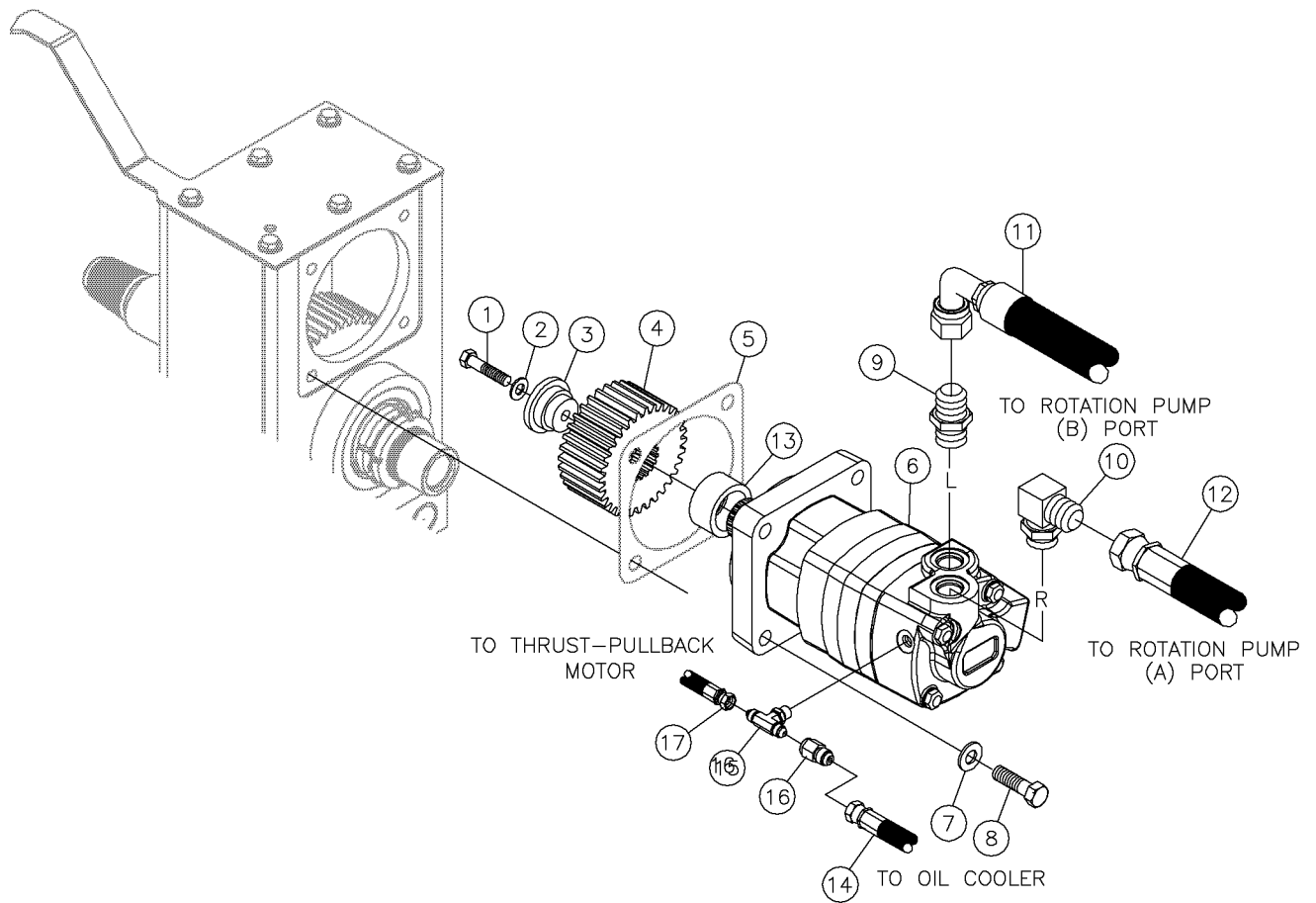
Rotation Drive Motor (S/N 568-) Fig 5-18r05



## Rotation Drive Motor (S/N 568-) Fig 5-18r05

REF. NO.	*	PART NO.	DESCRIPTION	QTY.	REMARKS
		Revision Date	October, 2007		Change Hose Length
1		235720001	BOLT-3/8-16X1 3/4 6R8 ZINC PLT	1	
2		235713001	WASHER - FLATSTRL - .38 - .41 X .81 - .06-YA-A325	1	
3		296276511	CAP - SHAFT	1	
4		296278710	GEAR-TOP ROTATION	1	
5		217035001	GASKET.020 4 BOLT	1	
6		296276508	HYDRAULIC MOTOR 19 CU	1	Breakdown Fig. 12-28
7		485025	WASHER-1/2 FLAT-HARDENED-YZ	4	
8		240334001	BOLT-1/2-13X1 3/4 GR8 ZINC PLT	4	
9		53828001	#12M O-RING-#12M JIC ST.	1	
10		59410001	FITTING-90-12MJ-12MORBA	1	
11		296277599	HOSE-HYD.75X124-12FSJ-ST/ST-4000PSI-M4K-	1	
12		296277598	HOSE-HYD.75X120-12FSJ-ST/90-4000PSI-M4K	1	
13		296276510	TUBE - GEAR SPACER	1	
14	*	296277593	HOSE-HYD-.38X140-6FSJ-ST/ST-2250PSI-100R	1	
15		81343001	4M (BCH)X4M JICX4M JIC TEE	1	
16		296280257	FITTING - HYD - 4FJ-6MJ STR	1	
17		296078001	HOSE-HYD-.25 X18.5 4FSJ ST/45 3000PSI	1	

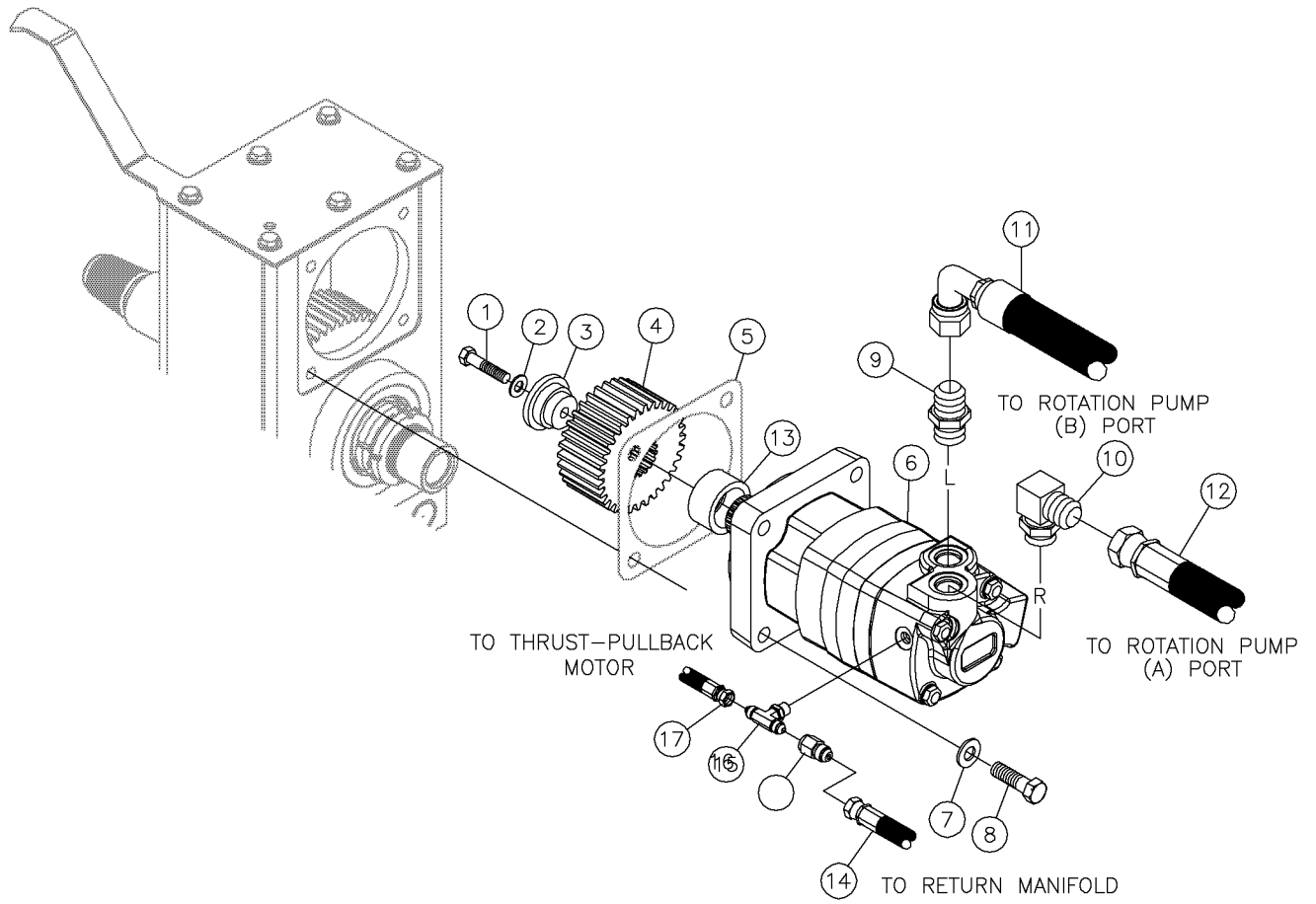
Rotation Drive Motor (S/N 568-) Fig 5-18r04



## Rotation Drive Motor (S/N 568-) Fig 5-18r04

REF. NO.	*	PART NO.	DESCRIPTION	QTY.	REMARKS
		Revision Date	August, 2006		Change Hose
1		235720001	BOLT-3/8-16X1 3/4 6R8 ZINC PLT	1	
2		235713001	WASHER - FLATSTRL - .38 - .41 X .81 - .06-YA-A325	1	
3		296276511	CAP - SHAFT	1	
4		296278710	GEAR-TOP ROTATION	1	
5		217035001	GASKET.020 4 BOLT	1	
6		296276508	HYDRAULIC MOTOR 19 CU	1	Breakdown Fig. 12-28
7		485025	WASHER-1/2 FLAT-HARDENED-YZ	4	
8		240334001	BOLT-1/2-13X1 3/4 GR8 ZINC PLT	4	
9		53828001	#12M O-RING-#12M JIC ST.	1	
10		59410001	FITTING-90-12MJ-12MORBA	1	
11		296277599	HOSE-HYD.75X124-12FSJ-ST/ST-4000PSI-M4K-	1	
12		296277598	HOSE-HYD.75X120-12FSJ-ST/90-4000PSI-M4K	1	
13		296276510	TUBE - GEAR SPACER	1	
14	*	251604001	HOSE-3/8X190 6FSJIC ST/90 3000	1	(S/N 568-)
15		81343001	4M (BCH)X4M JICX4M JIC TEE	1	
16		296280257	FITTING - HYD - 4FJ-6MJ STR	1	
17		296078001	HOSE-HYD-.25 X18.5 4FSJ ST/45 3000PSI	1	

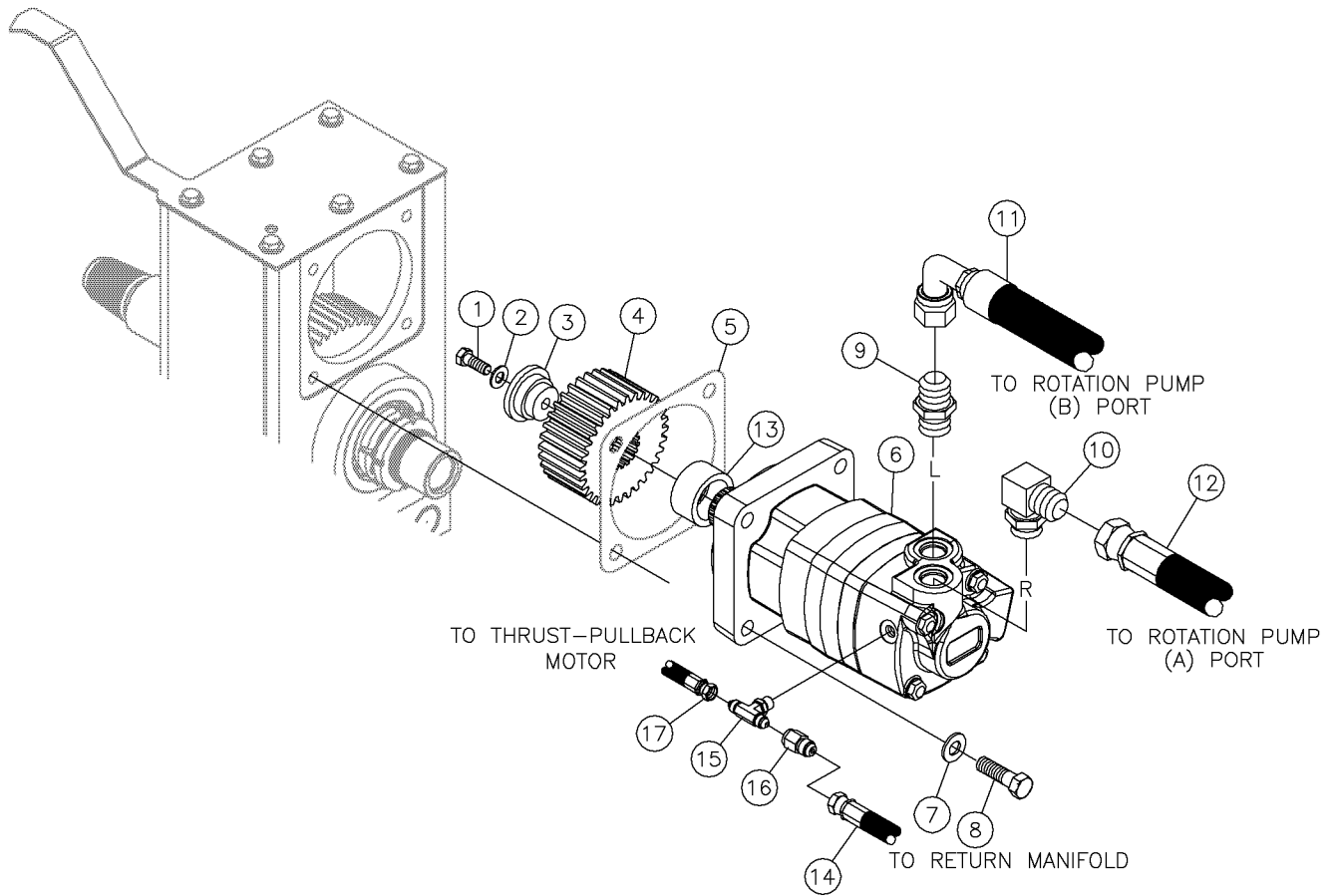
Rotation Drive Motor (S/N 167-567) Fig 5-18r03



## Rotation Drive Motor (S/N 167-567) Fig 5-18r03

REF. NO.	*	PART NO.	DESCRIPTION	QTY.	REMARKS
		Revision Date	April, 2006		Update In Illustration & Parts List.
1		235720001	BOLT-3/8-16X1 3/4 6R8 ZINC PLT	1	
2		235713001	WASHER - FLATSTRL - .38 - .41 X .81 - .06-YA-A325	1	
3		296276511	CAP - SHAFT	1	
4		296278710	GEAR-TOP ROTATION	1	
5		217035001	GASKET.020 4 BOLT	1	
6		296276508	HYDRAULIC MOTOR 19 CU	1	Breakdown Fig. 12-28
7		485025	WASHER-1/2 FLAT-HARDENED-YZ	4	
8		240334001	BOLT-1/2-13X1 3/4 GR8 ZINC PLT	4	
9		53828001	#12M O-RING-#12M JIC ST.	1	
10		59410001	FITTING-90-12MJ-12MORBA	1	
11		296277599	HOSE-HYD.75X124-12FSJ-ST/ST-4000PSI-M4K-	1	
12		296277598	HOSE-HYD.75X120-12FSJ-ST/90-4000PSI-M4K	1	
13		296276510	TUBE - GEAR SPACER	1	
14		296277593	HOSE-HYD-.38X140-6FSJ-ST/ST-2250PSI-100R	1	
15		81343001	4M (BCH)X4M JICX4M JIC TEE	1	
16		296280257	FITTING - HYD - 4FJ-6MJ STR	1	
17		296078001	HOSE-HYD-.25 X18.5 4FSJ ST/45 3000PSI	1	

Rotation Drive Motor (S/N 167-) Fig 5-18r02

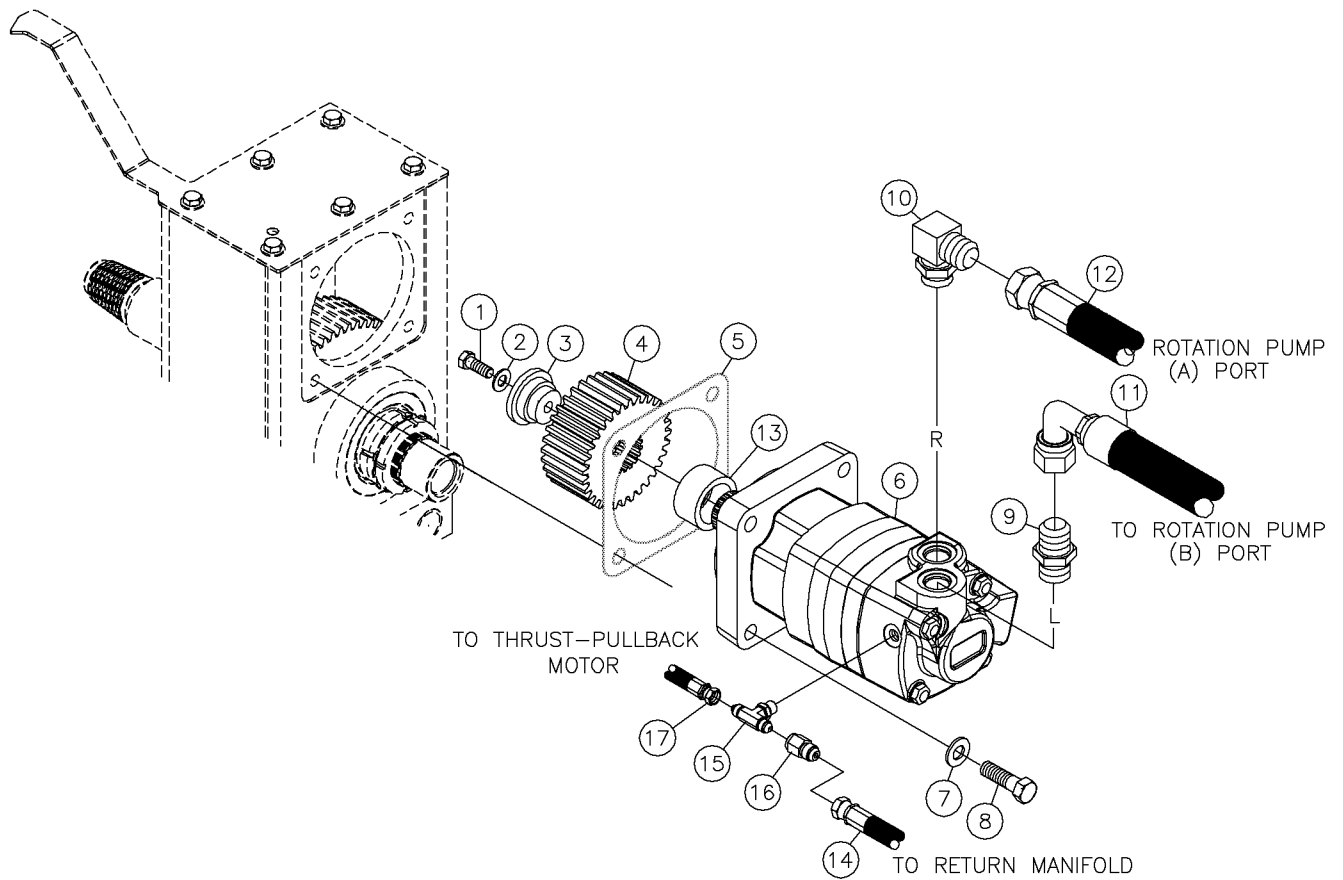




## Rotation Drive Motor (S/N 167-) Fig 5-18r02

REF. NO.	*	PART NO.	DESCRIPTION	QTY.	REMARKS
		Revision Date	March, 2006		Update In Illustration.
1		235727001	BOLT-3/8-16X1 GR8 HEX ZINC PLT	1	
2		235713001	WASHER - FLATSTRL - .38 - .41 X .81 - .06-YA-A325	1	
3		296276511	CAP - SHAFT	1	
4		296272020	GEAR - TOP ROTATION 17T SPL	1	
5		217035001	GASKET.020 4 BOLT	1	
6		296276508	HYDRAULIC MOTOR 19 CU	1	Breakdown Fig. 12-28
7		485025	WASHER-1/2 FLAT-HARDENED-YZ	4	
8		240334001	BOLT-1/2-13X1 3/4 GR8 ZINC PLT	4	
9		53828001	#12M O-RING-#12M JIC ST.	1	
10		59410001	FITTING-90-12MJ-12MORBA	1	
11		296277599	HOSE-HYD.75X124-12FSJ-ST/ST-4000PSI-M4K-	1	
12		296277598	HOSE-HYD.75X120-12FSJ-ST/90-4000PSI-M4K	1	
13		296276510	TUBE - GEAR SPACER	1	
14		296277593	HOSE-HYD-.38X140-6FSJ-ST/ST-2250PSI-100R	1	
15		81343001	4M (BCH)X4M JICX4M JIC TEE	1	
16		296280257	FITTING - HYD - 4FJ-6MJ STR	1	
17		296078001	HOSE-HYD-.25 X18.5 4FSJ ST/45 3000PSI	1	

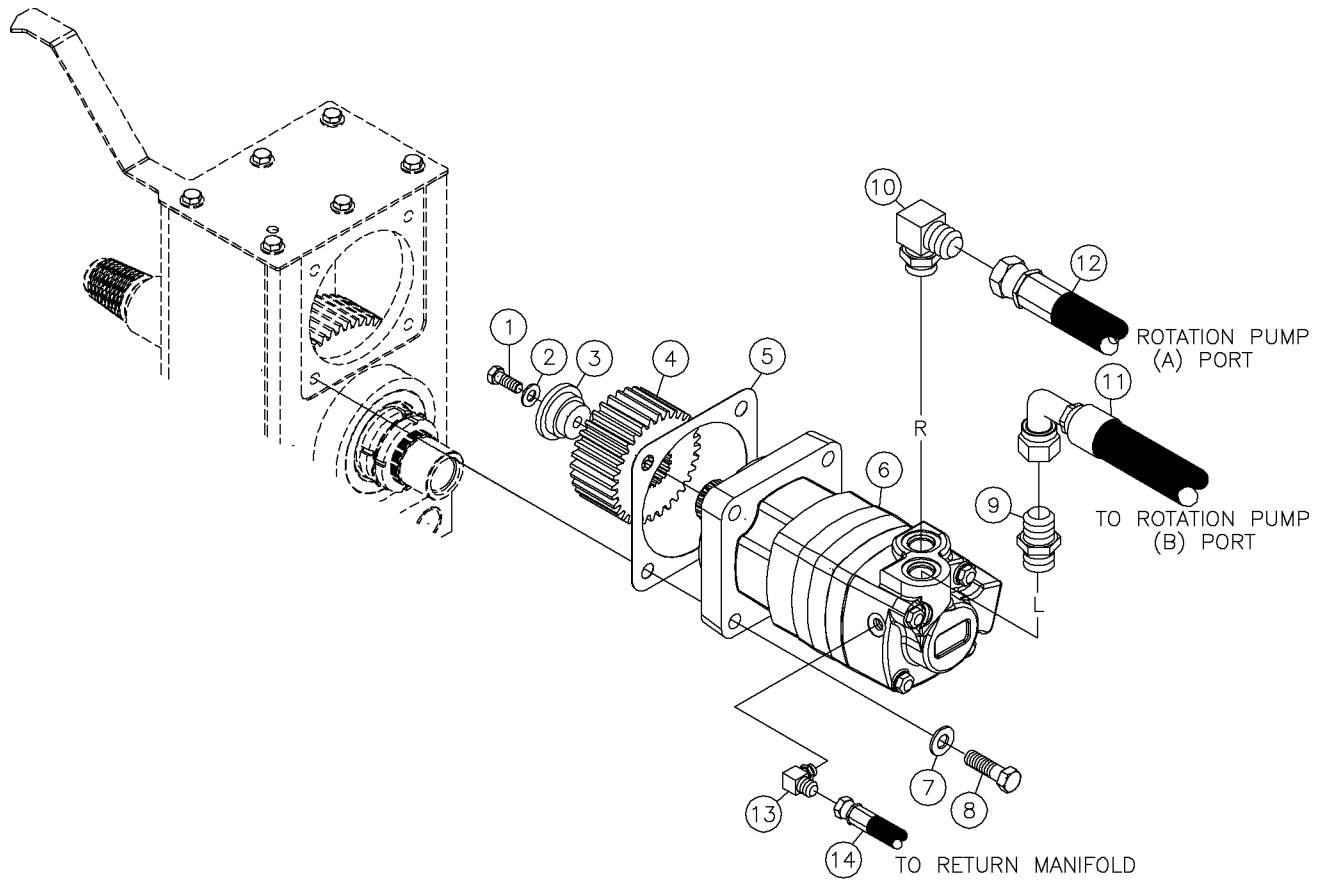
Rotation Drive Motor (S/N 167-) Fig 5-18r01



## Rotation Drive Motor (S/N 167-) Fig 5-18r01

REF. NO.	*	PART NO.	DESCRIPTION	QTY.	REMARKS
		Revision Date	March, 2005		Update In Illustration & Parts List.
1		235727001	BOLT-3/8-16X1 GR8 HEX ZINC PLT	1	
2		235713001	WASHER - FLATSTRL - .38 - .41 X .81 - .06-YA-A325	1	
3		296276511	CAP - SHAFT	1	
4		296272020	GEAR - TOP ROTATION 17T SPL	1	
5		217035001	GASKET.020 4 BOLT	1	
6		296276508	HYDRAULIC MOTOR 19 CU	1	Breakdown Fig. 12-28
7		485025	WASHER-1/2 FLAT-HARDENED-YZ	4	
8		240334001	BOLT-1/2-13X1 3/4 GR8 ZINC PLT	4	
9		53828001	#12M O-RING-#12M JIC ST.	1	
10		59410001	FITTING-90-12MJ-12MORBA	1	
11		296277599	HOSE-HYD.75X124-12FSJ-ST/ST-4000PSI-M4K-	1	
12		296277598	HOSE-HYD.75X120-12FSJ-ST/90-4000PSI-M4K	1	
13		296276510	TUBE - GEAR SPACER	1	
14		296277593	HOSE-HYD-.38X140-6FSJ-ST/ST-2250PSI-100R	1	
15		81343001	4M (BCH)X4M JICX4M JIC TEE	1	
16		296280257	FITTING - HYD - 4FJ-6MJ STR	1	
17		296078001	HOSE-HYD-.25 X18.5 4FSJ ST/45 3000PSI	1	

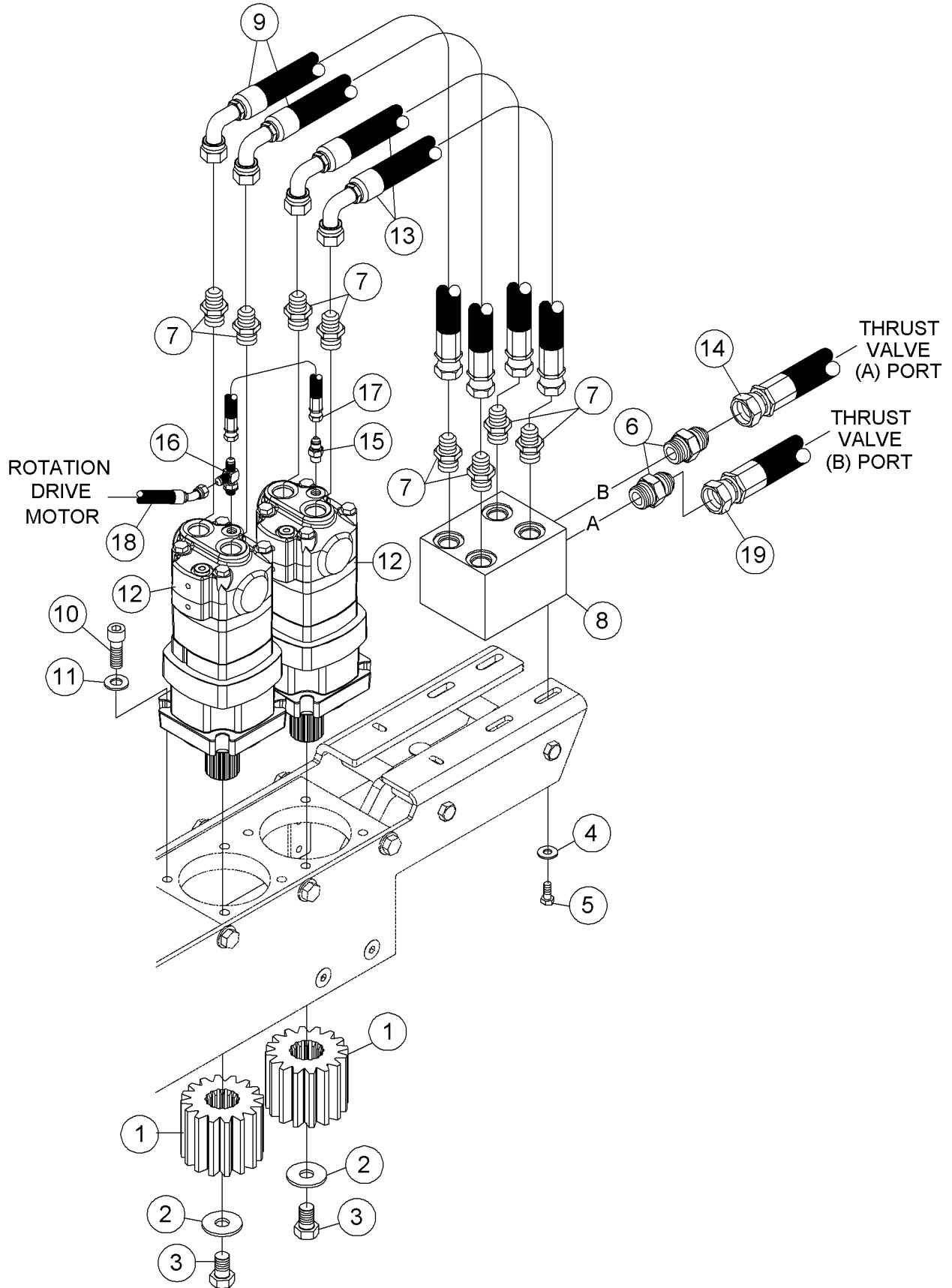
Rotation Drive Motor Fig 5-18



## Rotation Drive Motor Fig 5-18

REF. NO.	*	PART NO.	DESCRIPTION	QTY.	REMARKS
1		235727001	BOLT-3/8-16X1 GR8 HEX ZINC PLT	1	
2		235713001	WASHER - FLATSTRL - .38 - .41 X .81 - .06-YA-A325	1	
3		296276511	CAP - SHAFT	1	
4		296272020	GEAR - TOP ROTATION 17T SPL	1	
5		217035001	GASKET.020 4 BOLT	1	
6		296276508	HYDRAULIC MOTOR 19 CU	1	Breakdown Fig. 12-28
7		485025	WASHER-1/2 FLAT-HARDENED-YZ	4	
8		240334001	BOLT-1/2-13X1 3/4 GR8 ZINC PLT	4	
9		53828001	#12M O-RING-#12M JIC ST.	1	
10		59410001	FITTING-90-12MJ-12MORBA	1	
11		296277599	HOSE-HYD.75X124-12FSJ-ST/ST-4000PSI-M4K-	1	
12		296277598	HOSE-HYD.75X124-12FSJ-ST/90-4000PSI-M4K	1	
13		59426001	FITTING - 90-6MJ-6MORBA	1	
14		296277593	HOSE-HYD-.38X140-6FSJ-ST/ST-2250PSI-100R	1	

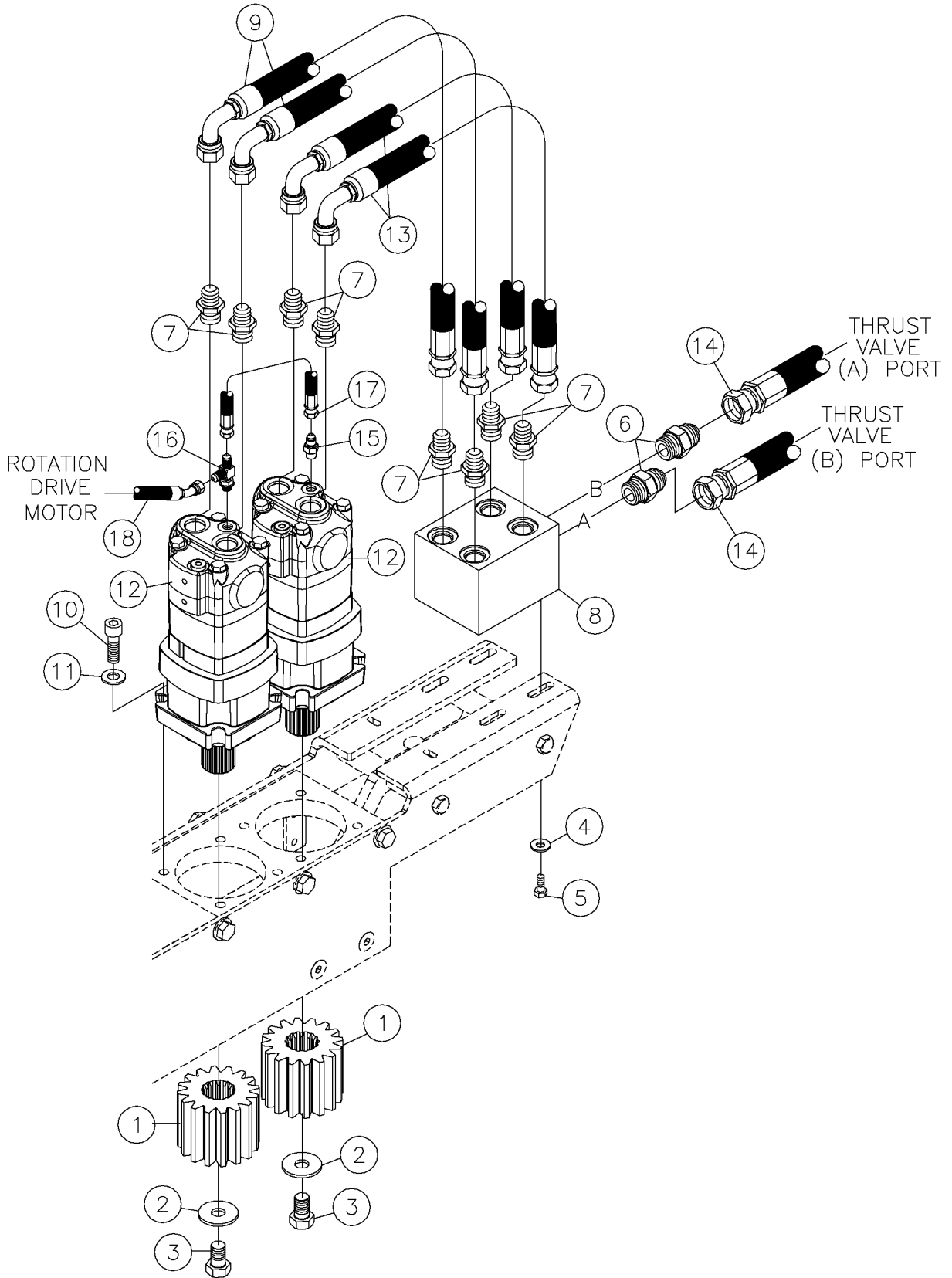
Thrust-Pullback Motor (S/N 167-) Fig 5-19r02



## Thrust-Pullback Motor (S/N 167-) Fig 5-19r02

REF. NO.	*	PART NO.	DESCRIPTION	QTY.	REMARKS
		Revision Date	October, 2005		Update In Illus. & Parts List
1		282876001	GEAR - 16 T 5DP PINION	2	
2		485015	WASHER-5/8 FLAT	2	
3		296257353	SCREW - HCS-.63-18X1-GR8-YZ	2	
4		510337605	WASHER-FLATSTD-.31-.38X.88-.08-YZ	4	
5		235742001	BOLT-5/16-18X3/4 GR8 ZINC PLTD	4	
6		53828001	#12M O-RING-#12M JIC ST.	2	
7		53826001	#10M O-RING-#8M JIC ST.	8	
8		296276737	MANIFOLD - 2 - #12 / 4 - #10	1	
9		296277595	HOSE-HYD.50X15-8FSJ-ST/90-3000PSI-M3K-BN	2	
10		276402001	SCREW-1/2-13X1 1/2 SHC Y ZINC	8	
11		485025	WASHER-1/2 FLAT-HARDENED-YZ	8	
12		296276509	HYDRAULIC MOTOR, 19.8 CU	2	Breakdown Fig. 12-27
13		296277596	HOSE-HYD-.50X13-8FSJ-ST/90-3000PSI-M3K	2	
14	*	296277597	HOSE-HYD-.75X110-12FSJ-ST/45-4000PSI M4K	1	Qty Change
15		60908001	FITTING-4MX4M JIC STR ADAPTER	1	
16		81342001	4MX4M JIC(BCH)X4M JIC TEE	1	
17		53843571	HOSE-1/4X15 4FS JIC ST/ST M3K	1	
18		296078001	HOSE-HYD-.25 X18.5 4FSJ ST/45 3000PSI	1	
19	*	296277705	HOSE .75 X 112	1	PN Added

Thrust-Pullback Motor (S/N 167-) Fig 5-19r01

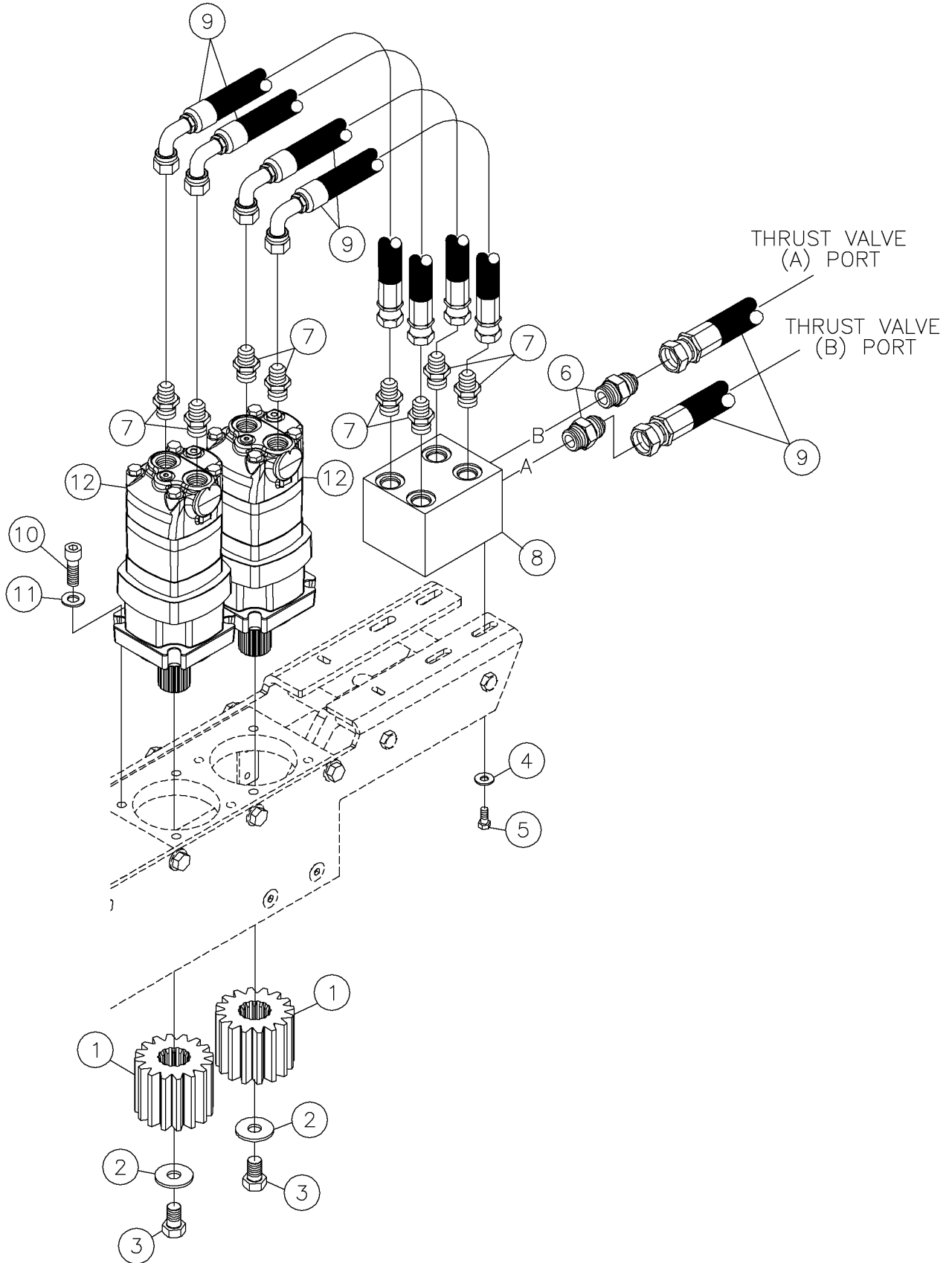




## Thrust-Pullback Motor (S/N 167-) Fig 5-19r01

REF. NO.	*	PART NO.	DESCRIPTION	QTY.	REMARKS
		Revision Date	March, 2005		Update In Illustration & Parts List.
1		282876001	GEAR - 16 T 5DP PINION	2	
2		485015	WASHER-5/8 FLAT	2	
3		296257353	SCREW - HCS-.63-18X1-GR8-YZ	2	
4		510337605	WASHER-FLATSTD-.31-.38X.88-.08-YZ	4	
5		235742001	BOLT-5/16-18X3/4 GR8 ZINC PLTD	4	
6		53828001	#12M O-RING-#12M JIC ST.	2	
7		53826001	#10M O-RING-#8M JIC ST.	8	
8		296276737	MANIFOLD - 2 - #12 / 4 - #10	1	
9		296277595	HOSE-HYD.50X15-8FSJ-ST/90-3000PSI-M3K-BN	2	
10		276402001	SCREW-1/2-13X1 1/2 SHC Y ZINC	8	
11		485025	WASHER-1/2 FLAT-HARDENED-YZ	8	
12		296276509	HYDRAULIC MOTOR, 19.8 CU	2	Breakdown Fig. 12-27
13		296277596	HOSE-HYD-.50X13-8FSJ-ST/90-3000PSI-M3K	2	
14		296277597	HOSE-HYD-.75X110-12FSJ-ST/45-4000PSI M4K	2	
15		60908001	FITTING-4MX4M JIC STR ADAPTER	1	
16		81342001	4MX4M JIC(BCH)X4M JIC TEE	1	
17		53843571	HOSE-1/4X15 4FS JIC ST/ST M3K	1	
18		296078001	HOSE-HYD-.25 X18.5 4FSJ ST/45 3000PSI	1	

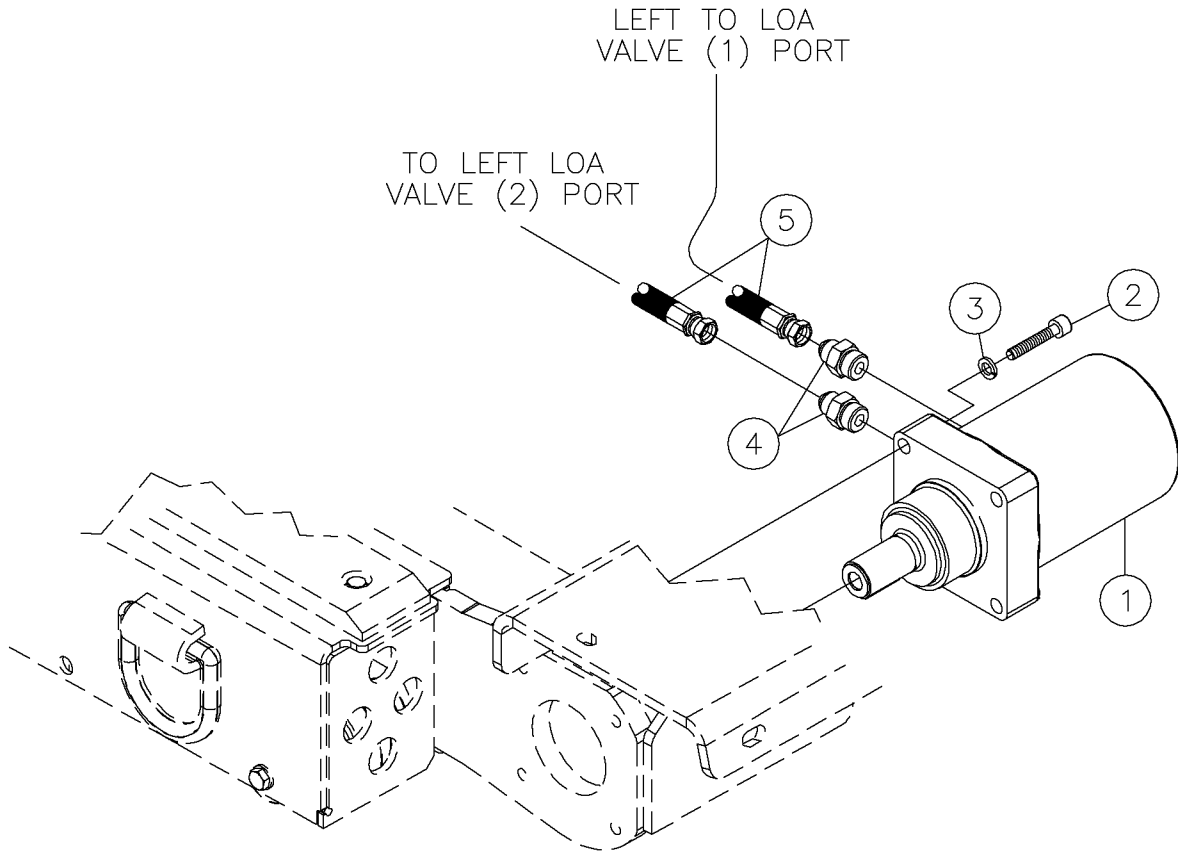
Thrust-Pullback Motor Fig 5-19



## Thrust-Pullback Motor Fig 5-19

REF. NO.	*	PART NO.	DESCRIPTION	QTY.	REMARKS
1		282876001	GEAR - 16 T 5DP PINION	2	
2		485015	WASHER-5/8 FLAT	2	
3		296257353	SCREW - HCS-.63-18X1-GR8-YZ	2	
4		510337605	WASHER-FLATSTD-.31-.38X.88-.08-YZ	4	
5		235742001	BOLT-5/16-18X3/4 GR8 ZINC PLTD	4	
6		53828001	#12M O-RING-#12M JIC ST.	2	
7		53826001	#10M O-RING-#8M JIC ST.	8	
8		296276737	MANIFOLD - 2 - #12 / 4 - #10	1	
9		296277597	HOSE-HYD-.75X110-12FSJ-ST/45-4000PSI M4K	2	
10		276402001	SCREW-1/2-13X1 1/2 SHC Y ZINC	8	
11		485025	WASHER-1/2 FLAT-HARDENED-YZ	8	
12		296276509	HYDRAULIC MOTOR, 19.8 CU	2	Breakdown Fig. 12-27

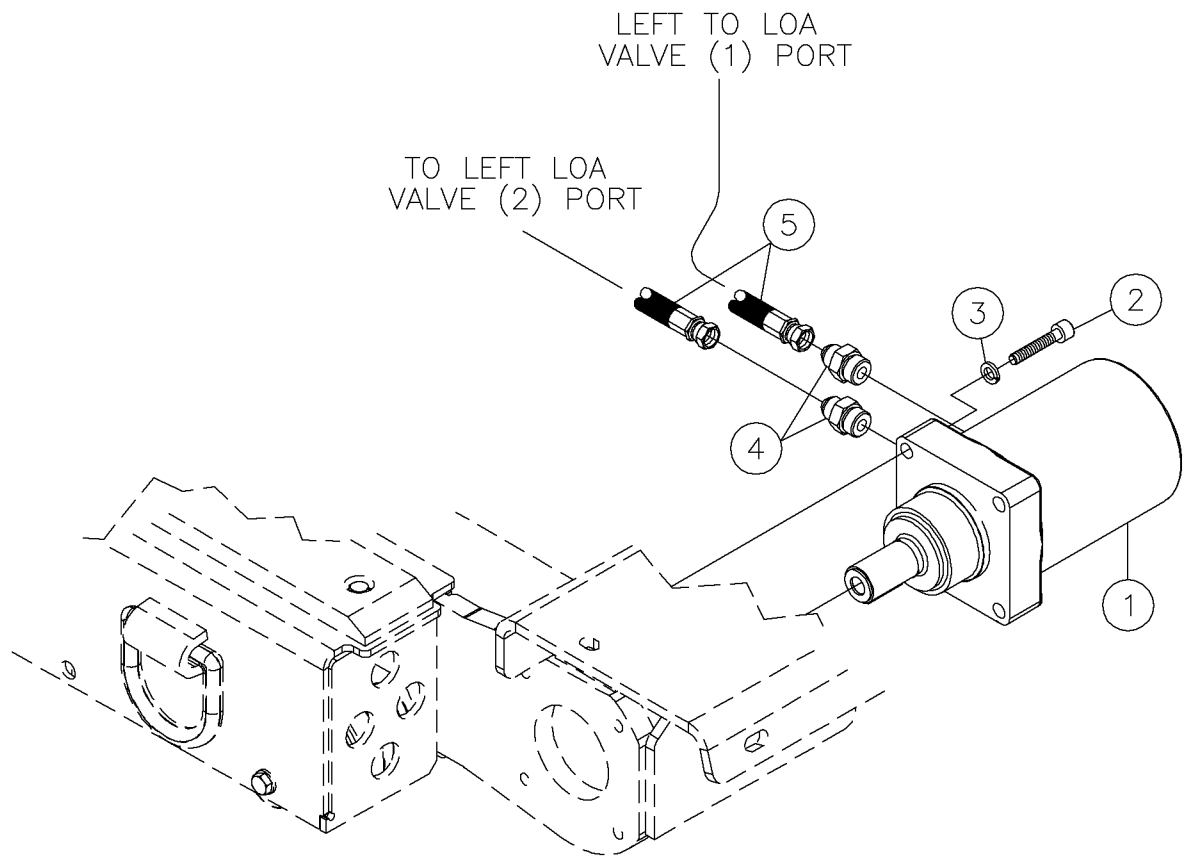
Left Drive Track Motor Fig 5-20r01



## Left Drive Track Motor Fig 5-20r01

REF. NO.	*	PART NO.	DESCRIPTION	QTY.	REMARKS
		Revision Date	March, 2005		Update In Parts List.
1		296276606	MOTOR-HYDRAULIC 32.2 CID WHEEL	1	
		88759003	SEAL KIT	1	
2		86881001	SCREW-1/2-13X2 1/2 SOC.HD CAP	4	
3		480011	WASHER-1/2 S/T LOCK	4	
4		53826001	#10M O-RING-#8M JIC ST.	2	
5		296277602	HOSE-HYD.50X54-8FSJ-ST/ST-3000PSI-M3K	2	

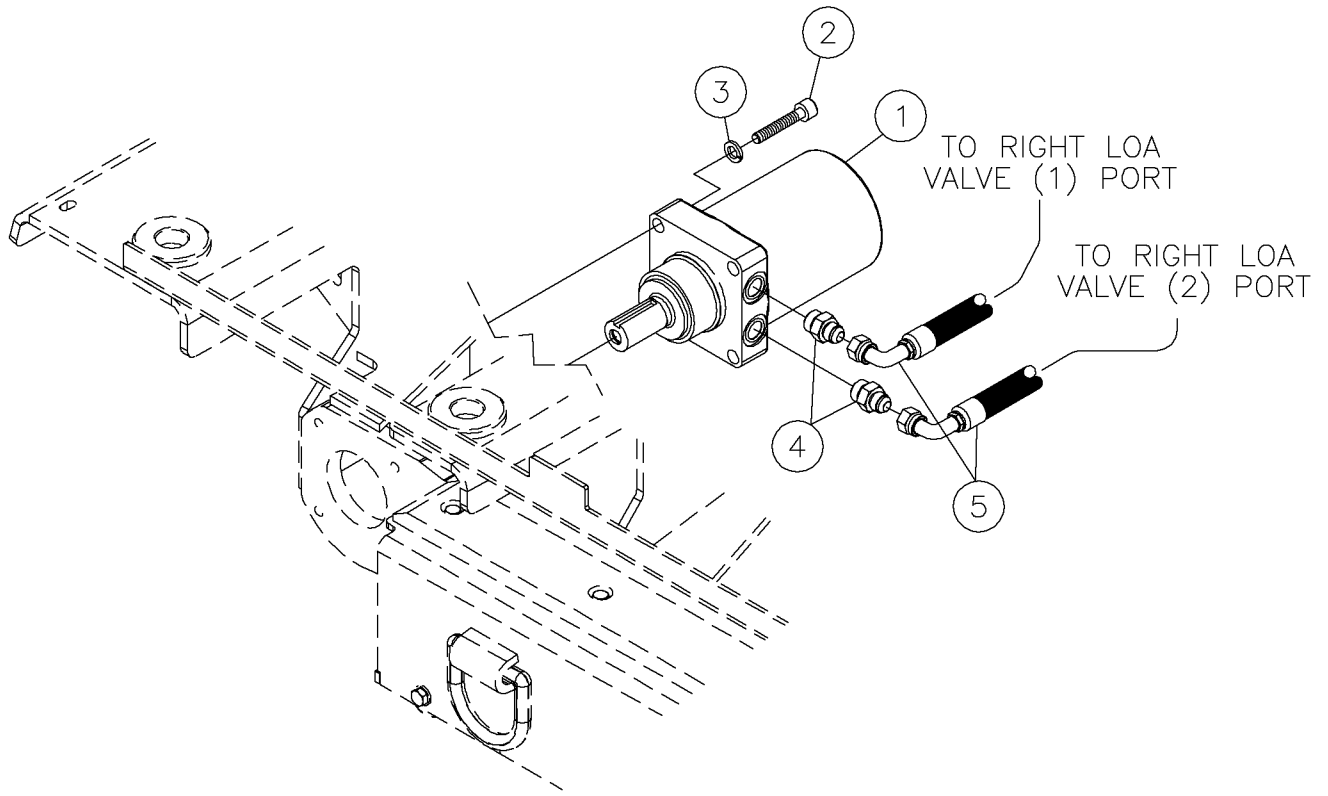
Left Drive Track Motor Fig 5-20



## Left Drive Track Motor Fig 5-20

REF. NO.	*	PART NO.	DESCRIPTION	QTY.	REMARKS
1		296276606	MOTOR-HYDRAULIC 32.2 CID WHEEL	1	
		88759003	SEAL KIT	1	
2		86881001	SCREW-1/2-13X2 1/2 SOC.HD CAP	4	
3		480011	WASHER-1/2 S/T LOCK	4	
4		53826001	#10M O-RING-#8M JIC ST.	2	
5		296277602	HOSE-HYD.50X57-8FSJ-ST/ST-3000PSI-M3K	2	

Right Drive Track Motor Fig 5-21

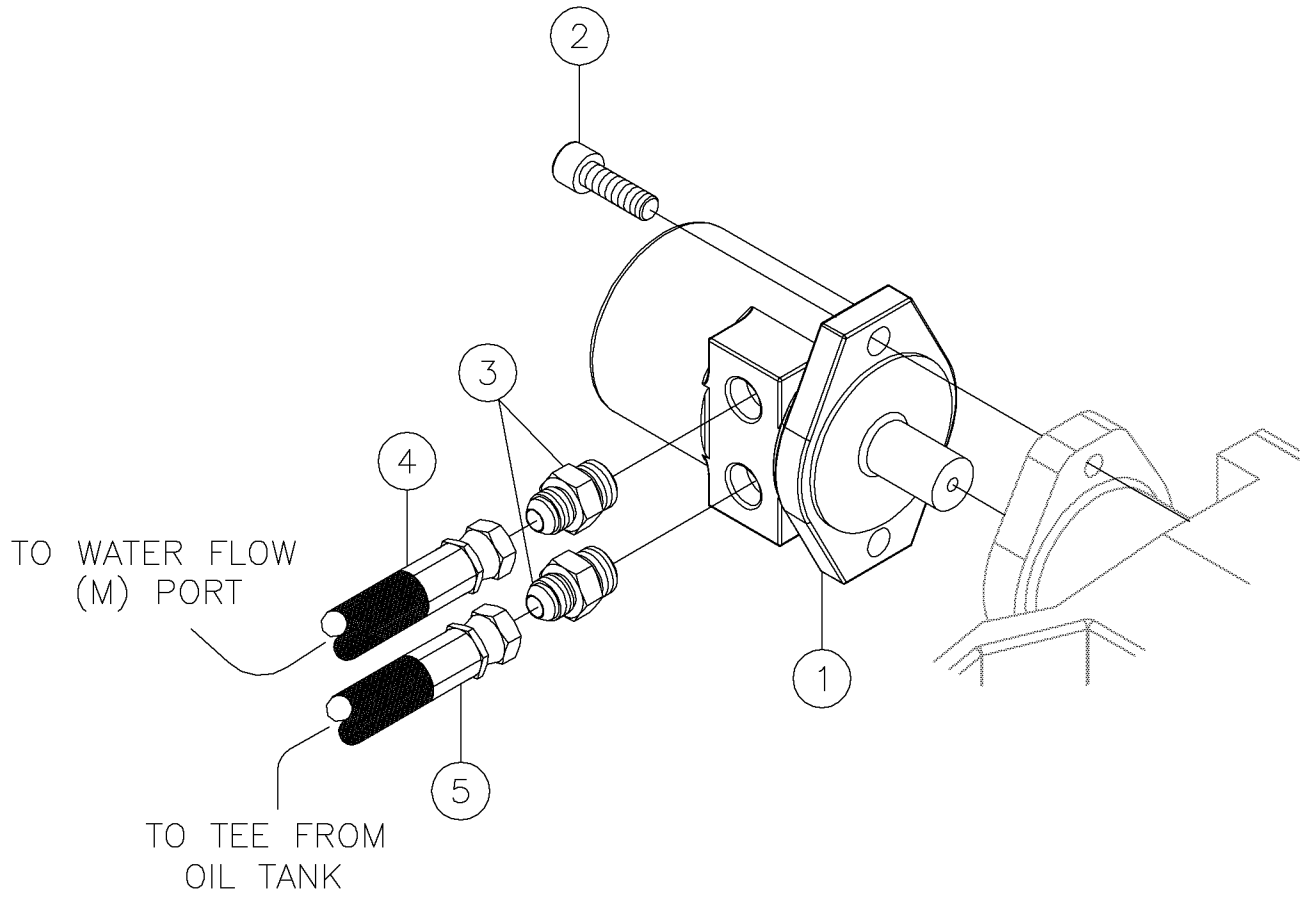




## Right Drive Track Motor Fig 5-21

REF. NO.	*	PART NO.	DESCRIPTION	QTY.	REMARKS
1		296276606	MOTOR-HYDRAULIC 32.2 CID WHEEL	1	
		88759003	SEAL KIT	1	
2		86881001	SCREW-1/2-13X2 1/2 SOC.HD CAP	4	
3		480011	WASHER-1/2 S/T LOCK	4	
4		53826001	#10M O-RING-#8M JIC ST.	2	
5		296277601	HOSE-HYD.50X40-8FSJ-ST/90-3000PSI-M3K	2	

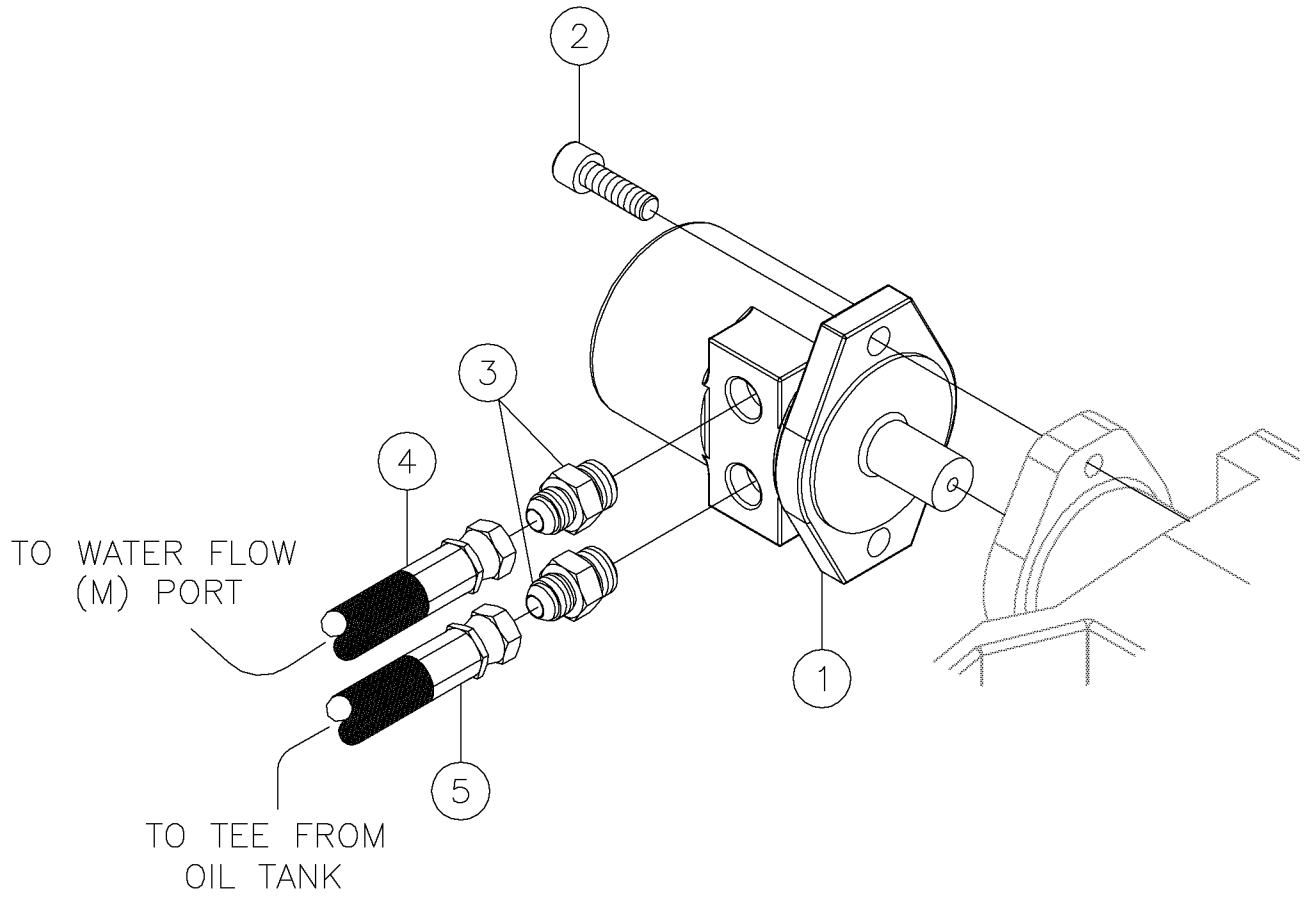
Water Pump Motor Fig 5-22r03



Water Pump Motor Fig 5-22r03

REF. NO.	*	PART NO.	DESCRIPTION	QTY.	
		Revision Date	May, 2007		Change Hose
1		296280259	MOTOR - 3.0 CID T-SERIES W/ SPEED SENSOR	1	Breakdown 12-26 (S/N 230 & Up)
		296280258	MOTOR - 3.0 CID T-SERIES	1	Breakdown 12-26 (S/N 236 & Up)
2		514014	1/2-13X1 1/2" SOCKET HEAD BOLT	2	
3		53826001	#10M O-RING-#8M JIC ST.	2	
4	*	53844419	HOSE-1/2X122 8FS JIC 3000 PSI	1	
5		53844093	HOSE-1/2X21 8FS JIC (100R2)	1	

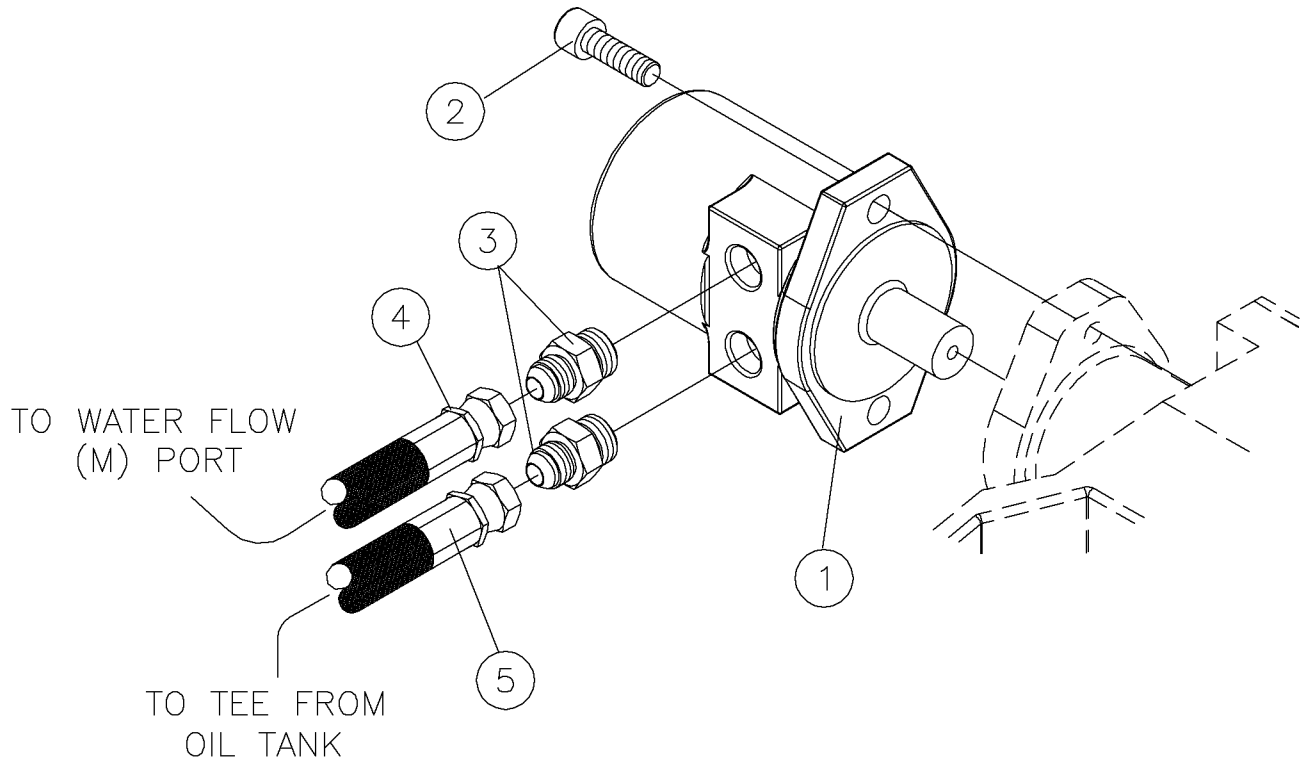
Water Pump Motor Fig 5-22r02



## Water Pump Motor Fig 5-22r02

REF. NO.	*	PART NO.	DESCRIPTION	QTY.	
		Revision Date	March, 2006		Update In Parts List.
1		296280259	MOTOR - 3.0 CID T-SERIES W/ SPEED SENSOR	1	Breakdown 12-26 (S/N 230 AND UP)
		296280258	MOTOR - 3.0 CID T-SERIES	1	Breakdown 12-26 (S/N 236 AND UP)
2		514014	1/2-13X1 1/2" SOCKET HEAD BOLT	2	
3		53826001	#10M O-RING-#8M JIC ST.	2	
4		241885001	HOSE-1/2 X 142 8FS X 8FS 90 3000 PSI	1	
5		53844403	HOSE-HYD-.50X30-8FSJ-ST/90-3000PSI-100	1	

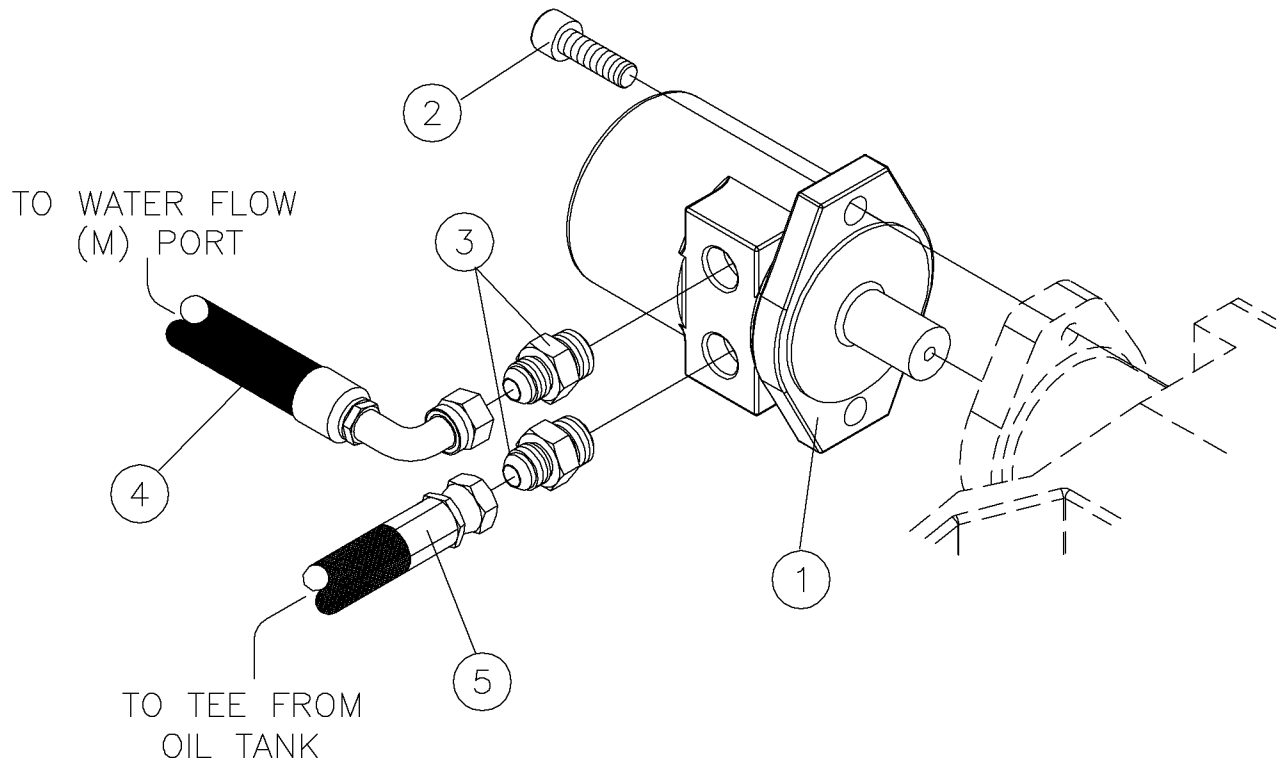
Water Pump Motor Fig 5-22r01



## Water Pump Motor Fig 5-22r01

REF. NO.	*	PART NO.	DESCRIPTION	QTY.	REMARKS
		Revision Date	March, 2005		Update In Illustration & Parts List.
1		296280259	MOTOR - 3.0 CID T-SERIES W/ SPEED SENSOR	1	Breakdown Fig 12-26
		296280258	MOTOR - 3.0 CID T-SERIES	1	Breakdown Fig 12-26
2		514014	1/2-13X1 1/2" SOCKET HEAD BOLT	2	
3		53826001	#10M O-RING-#8M JIC ST.	2	
4		241885001	HOSE-1/2 X 142 8FS X 8FS 90 3000 PSI	1	
5		53844403	HOSE-1/2X30 8FS JIC/8FS JIC 90	1	

Water Pump Motor Fig 5-22

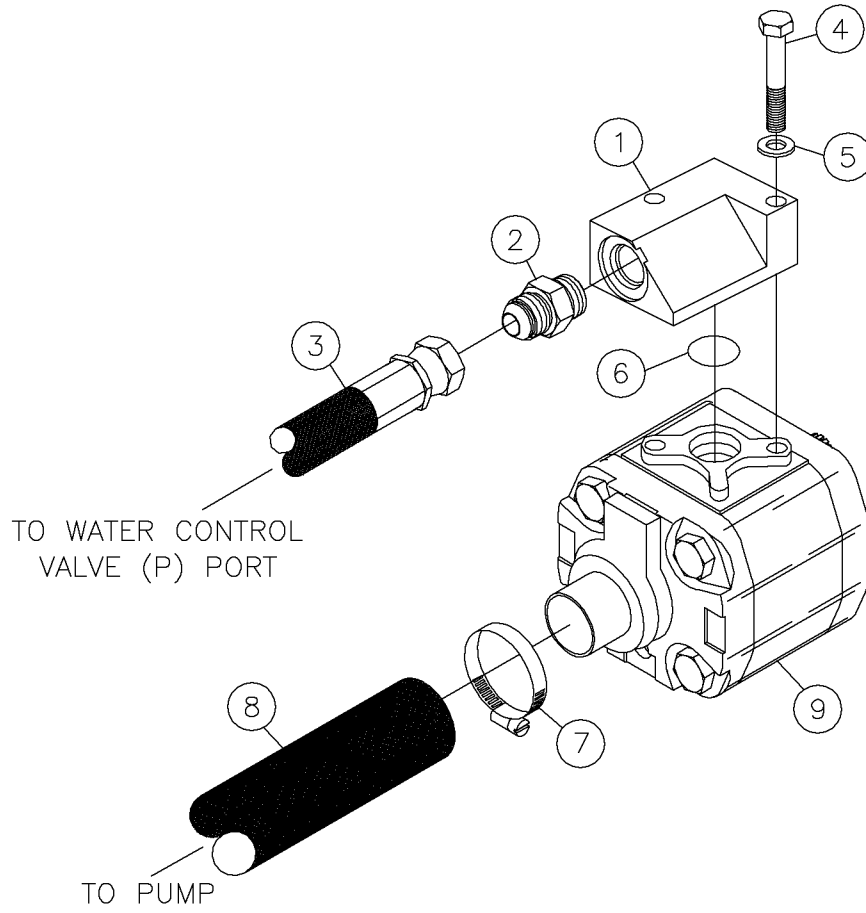




## Water Pump Motor Fig 5-22

REF. NO.	*	PART NO.	DESCRIPTION	QTY.	REMARKS
1		296273484	MOTOR - 2.2 CID W/SPEED SENSOR	1	Breakdown Fig. 12-26
		296273483	MOTOR - 2.2 CID (W/O FLOWMETER)	1	Breakdown Fig. 12-26
2		514014	1/2-13X1 1/2" SOCKET HEAD BOLT	2	
3		53826001	#10M O-RING-#8M JIC ST.	2	
4		289125001	HOSE - 1/2 X 103 8FSJIC ST/90 3000 PSI	1	
5		53844161	HOSE-1/2X17 8FS JIC 3000 PSI	1	

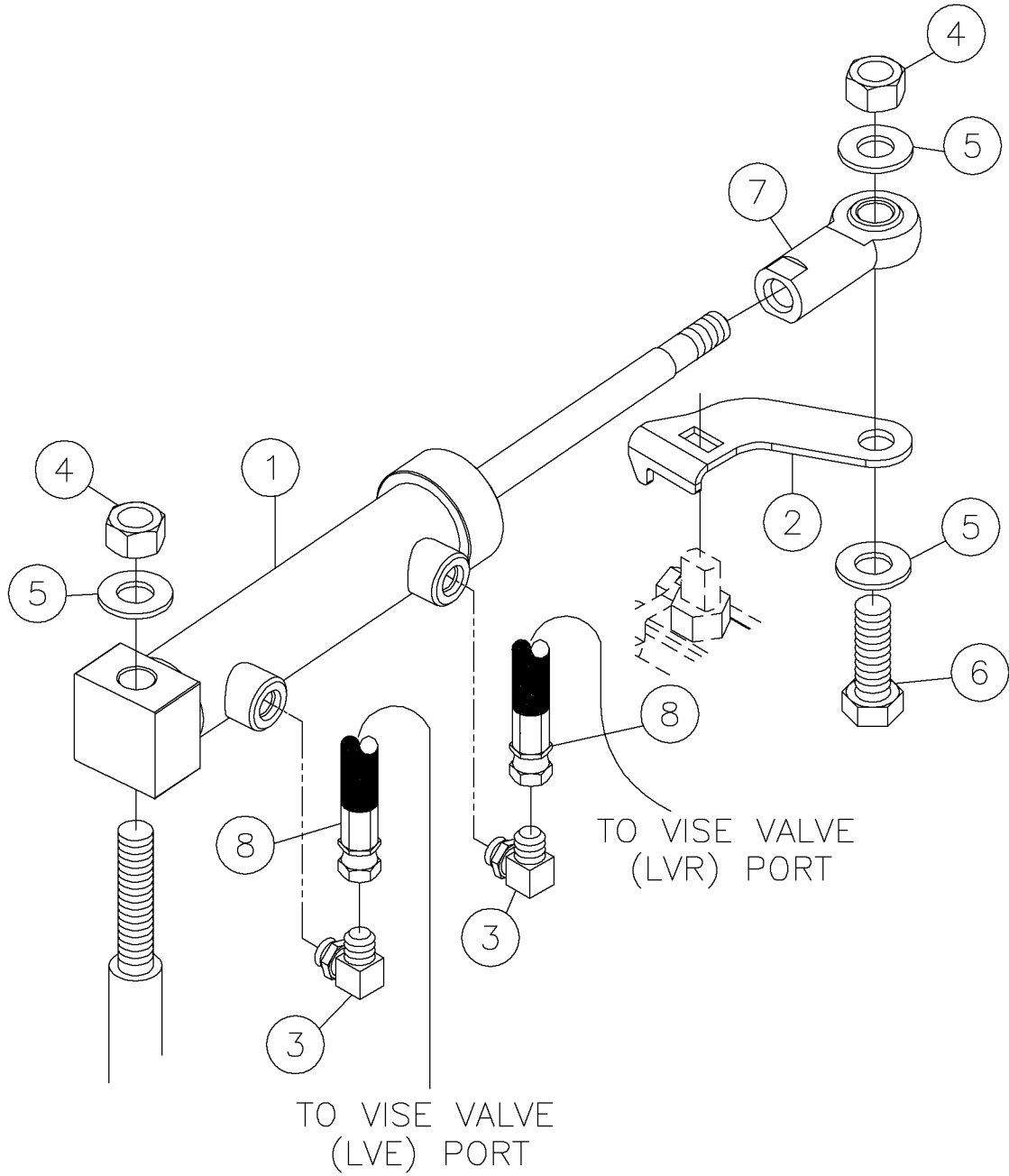
Gear Pump Fig 5-23



## Gear Pump Fig 5-23

REF. NO.	*	PART NO.	DESCRIPTION	QTY.	REMARKS
		Revision Date	May, 2007		Updated Figure
1		296273449	BLOCK - KUBOTA PUMP ADAPTER	1	
2		53824001	FITTING-#8M O-RING-#8M JIC ST.	1	
3		296258368	HOSE - .50 X 32 8FS JIC ST/ST M3K	1	
4		508475050	SCREW-HCS,M8-1,25X50,10.9,YZ,ISO4014,PT	2	
5		506046008	WASHER-FLAT,M8,YZ,D125A	2	
6		294560001	O-RING - #16FFOR 90D POLYURETHANE	1	
7		2595009	CLAMP-1 1/4 HOSE #7701164	1	
8		296277615	HOSE - SUCTION - 1.00X16-200PSI	1	
9		296271100	GEAR PUMP ASSY	1	

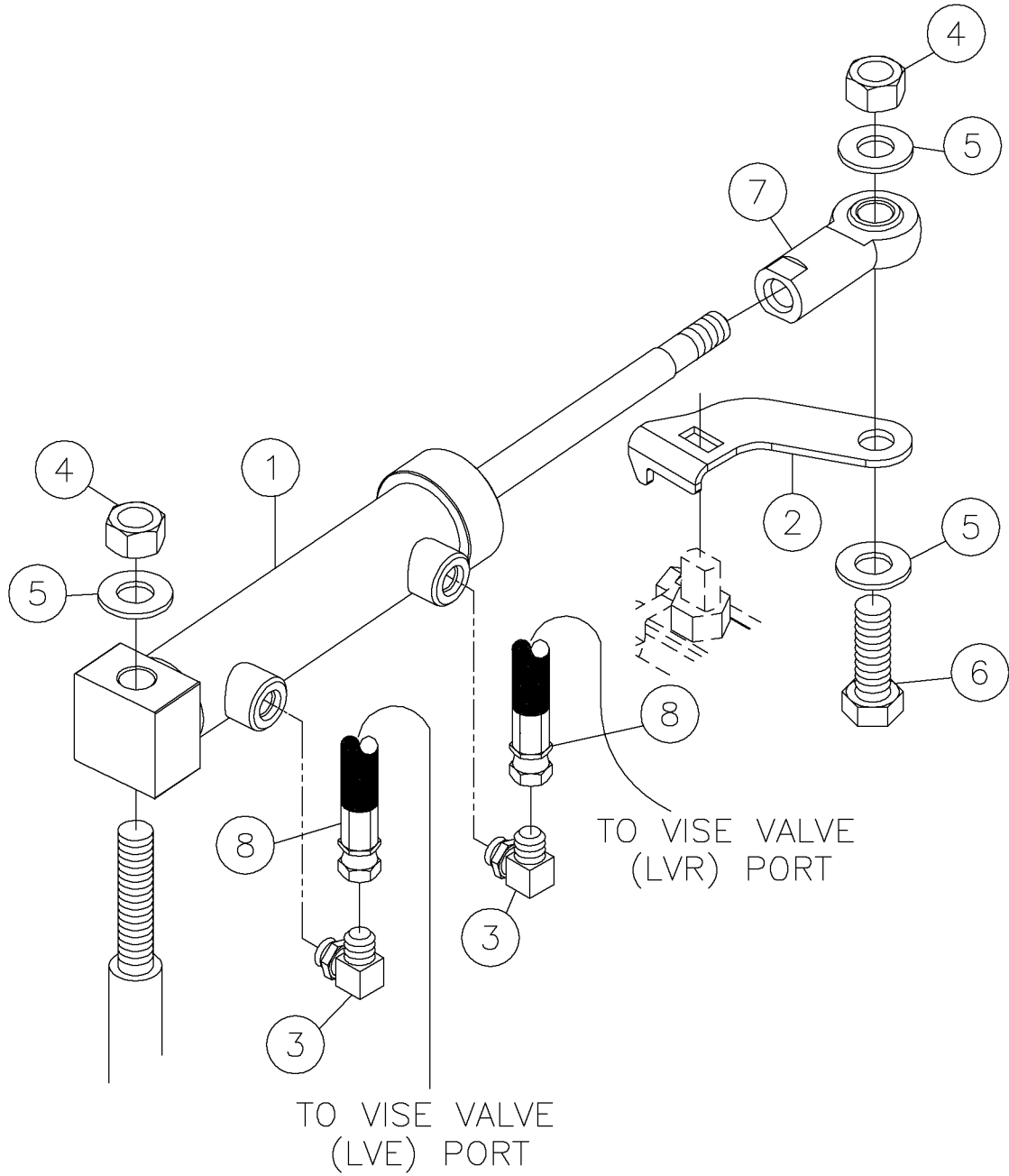
Water Shut-Off Cylinder (S/N 628-) Fig 5-24r01



## Water Shut-Off Cylinder (S/N 628-) Fig 5-24r01

REF. NO.	*	PART NO.	DESCRIPTION	QTY.	REMARKS
		Revision Date	September, 2006		Change Cylinder
1	*	296285658	CYLINDER - 1 X 3-1/2	1	(S/N 628-) Breakdown Fig. 12-23
2		296277582	ARM - LEVER	1	
3		59423001	FIT-4M JICX4M ADJ.90 DEG.ELBOW	2	
4		250512001	NUT- 1/2 NC Gr8 TOP LOCK Y/ ZINC	2	
5		485025	WASHER-1/2 FLAT-HARDENED-YZ	3	
6		235721001	BOLT-1/2-13X1 1/2 GR8 ZINC PLT	1	
7		224291001	BALL JOINT-1/2-20 FEMALE THDS.	1	
8		296277611	HOSE-HYD-.25X150-4FSJ-ST/ST-3000PSI-M3K	2	

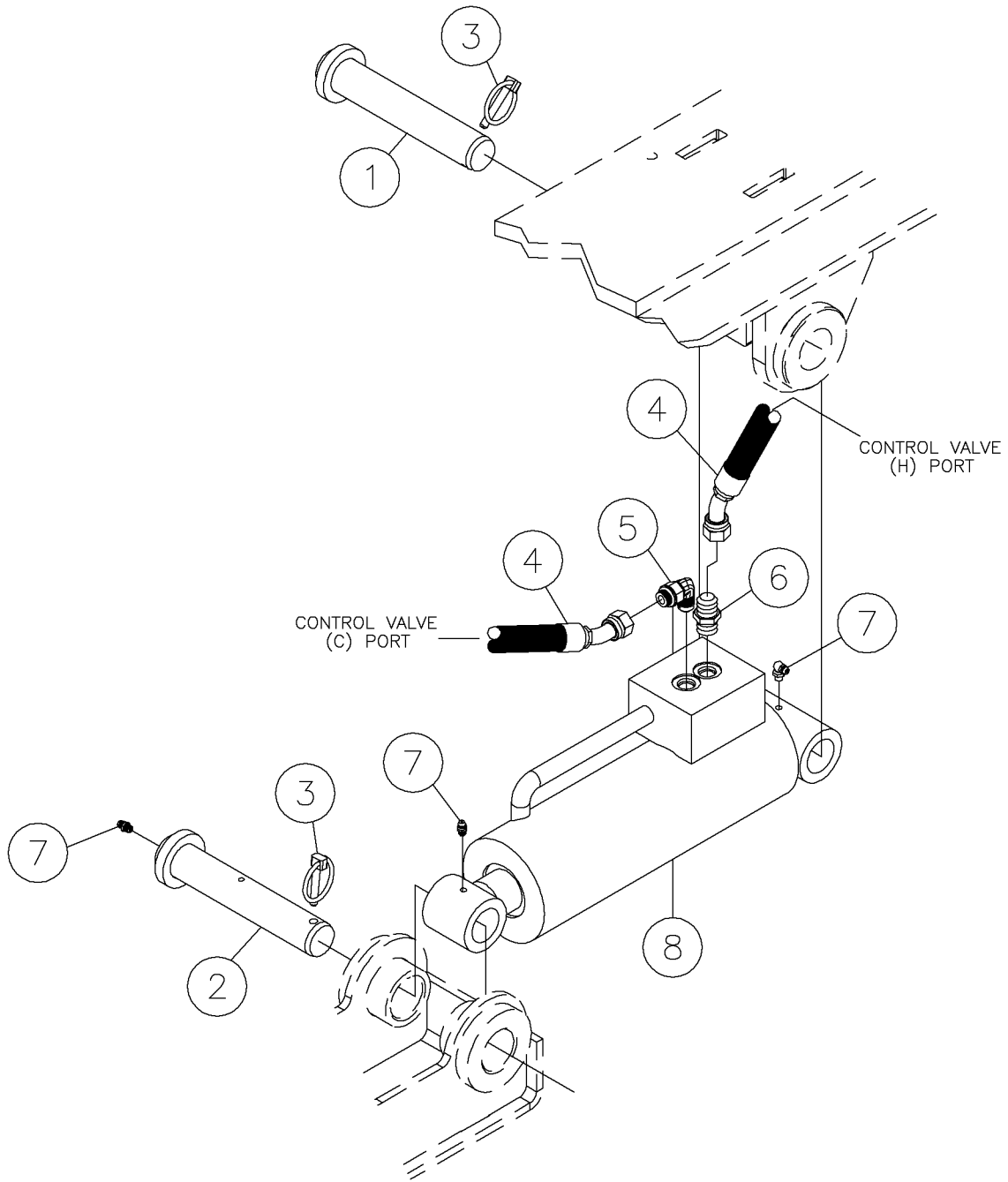
Water Shut-Off Cylinder Fig 5-24



## Water Shut-Off Cylinder Fig 5-24

REF. NO.	*	PART NO.	DESCRIPTION	QTY.	REMARKS
1		287591001	CYLINDER - 1 X 3-1/2	1	Breakdown Fig. 12-23
		296254585	ROD ASSEMBLY	1	
		296254587	SEAL KIT	1	
2		296277582	ARM - LEVER	1	
3		59423001	FIT-4M JICX4M ADJ.90 DEG.ELBOW	2	
4		250512001	NUT- 1/2 NC Gr8 TOP LOCK Y/ ZINC	2	
5		485025	WASHER-1/2 FLAT-HARDENED-YZ	3	
6		235721001	BOLT-1/2-13X1 1/2 GR8 ZINC PLT	1	
7		224291001	BALL JOINT-1/2-20 FEMALE THDS.	1	
8		296277611	HOSE-HYD-.25X150-4FSJ-ST/ST-3000PSI-M3K	2	

Outrigger Cylinder Fig 5-25r01

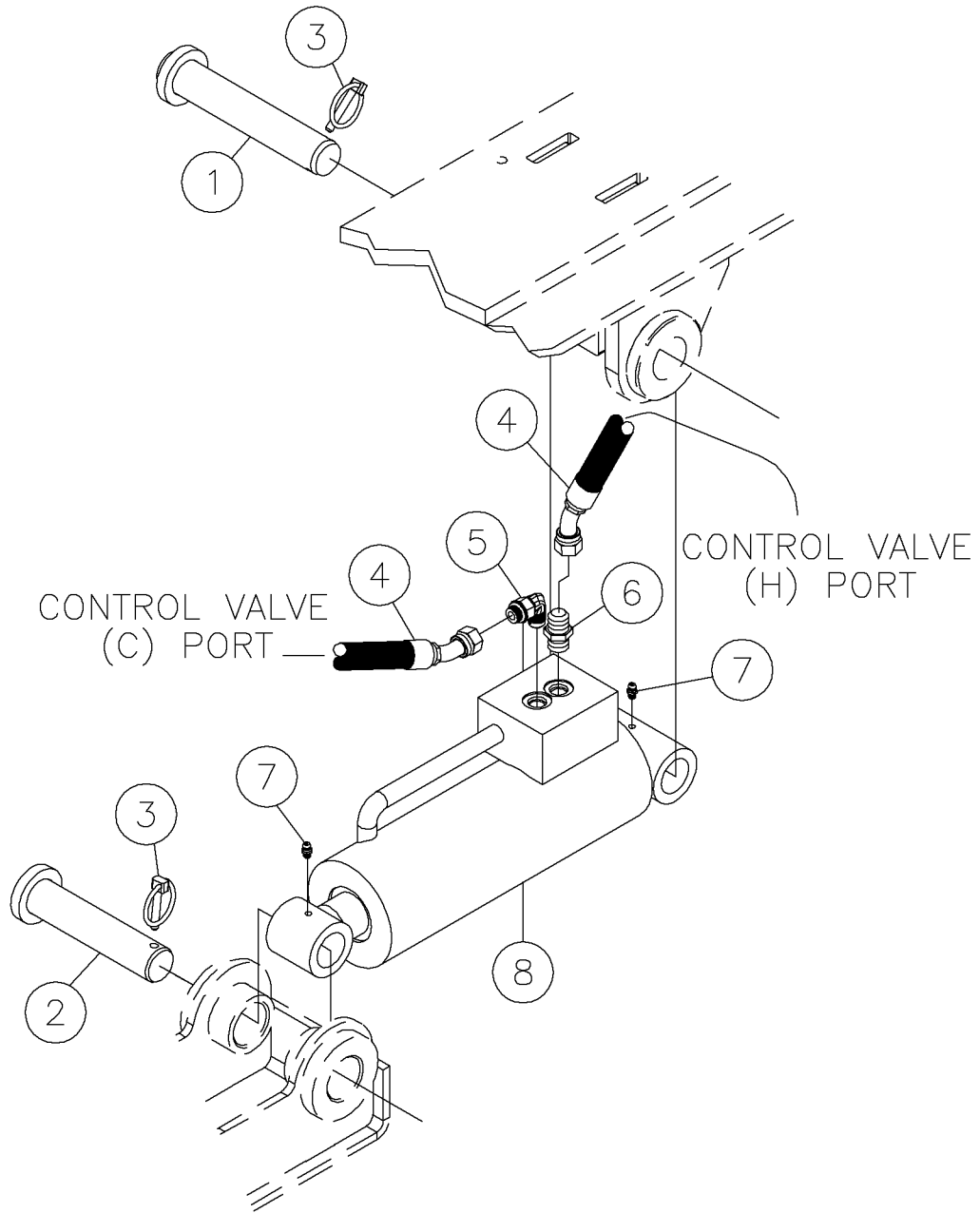




## Outrigger Cylinder Fig 5-25r01

REF. NO.	*	PART NO.	DESCRIPTION	QTY.	REMARKS
		Revision Date	September, 2007		Update In Illustration & Parts List.
1		296270837	PIN - LIFT CYLINDER	1	
2		296278542	PIN - CYLINDER	1	
3		1797003	PIN-QUICK ATTACHMENT LATCH 1/4"-XCX 6M DIA"	2	
4		296277600	HOSE-HYD..38X47-6FSJ-ST/45-3000PSI-M3K-	2	
5		59426001	FITTING - 90-6MJ-6MORBA	1	
6		65565001	FITTING - 6M O-RING X 6M JIC ST.	1	
7		598001	FITTING-1/4" NF ST GREASE ZERK	3	
8		278769001	CYLINDER-3 1/2"BORE X 7"STROKE	1	Breakdown Fig. 12-17

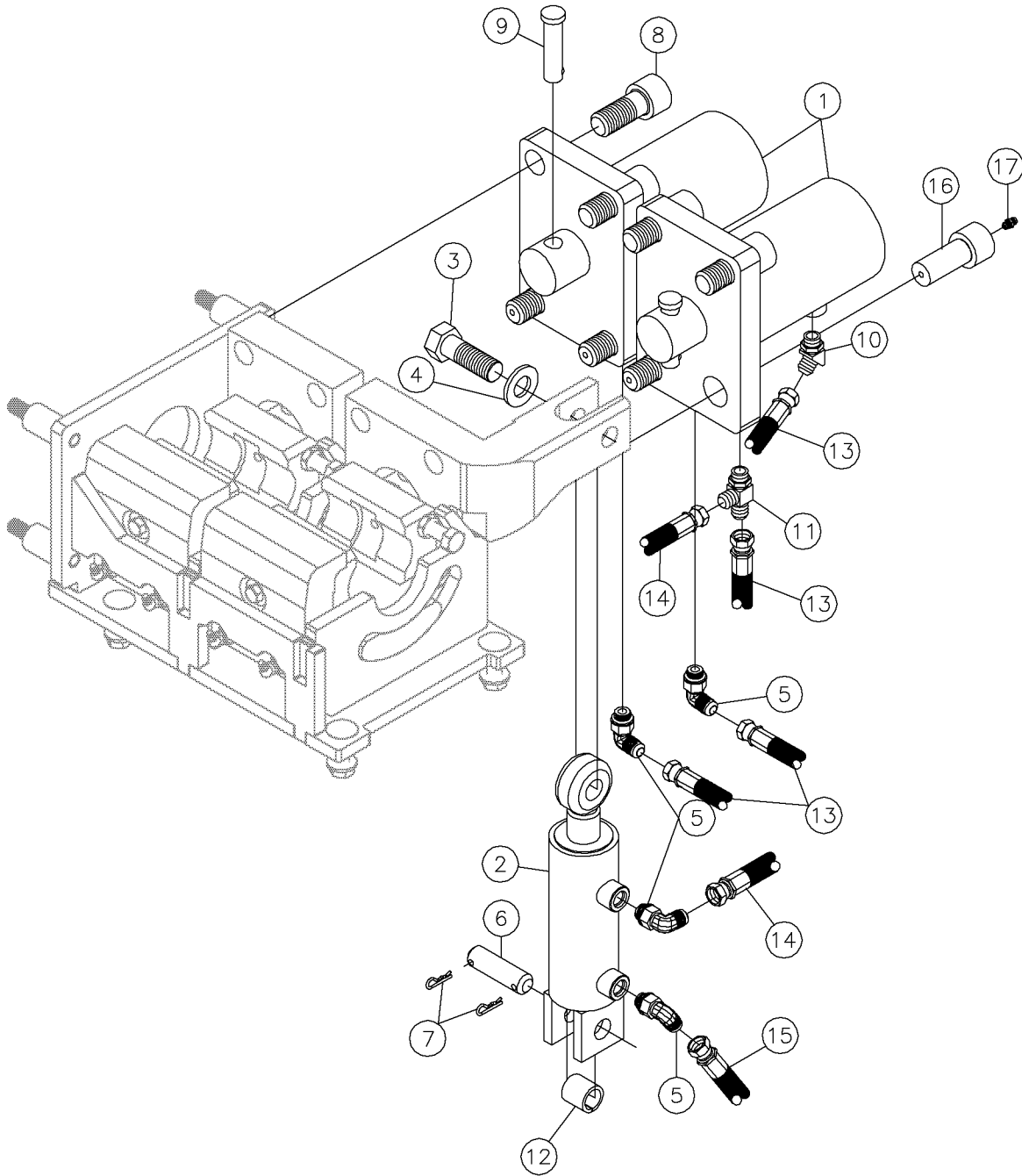
Outrigger Cylinder Fig 5-25



## Outrigger Cylinder Fig 5-25

REF. NO.	*	PART NO.	DESCRIPTION	QTY.	REMARKS
1		296270837	PIN - LIFT CYLINDER	1	
2		281752001	PIN - PIVOT	1	
3		1797003	PIN-QUICK ATTACHMENT LATCH 1/4"-XCX 6M DIA"	2	
4		296277600	HOSE-HYD..38X47-6FSJ-ST/45-3000PSI-M3K-	2	
5		59426001	FITTING - 90-6MJ-6MORBA	1	
6		65565001	FITTING - 6M O-RING X 6M JIC ST.	1	
7		598001	FITTING-1/4" NF ST GREASE ZERK	2	
8		278769001	CYLINDER-3 1/2"BORE X 7"STROKE	1	Breakdown Fig. 12-17

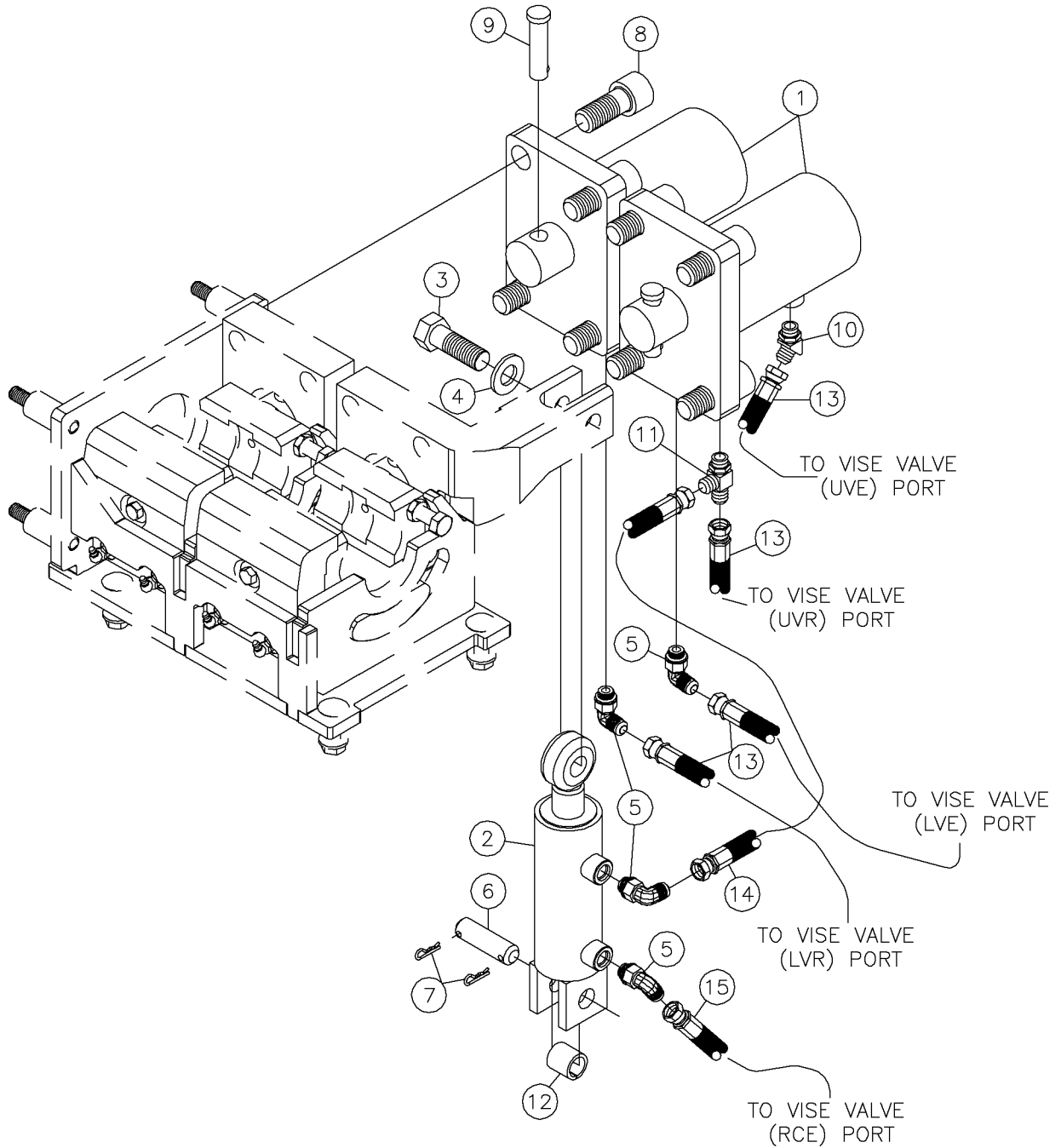
Vise Clamp Cylinder (S/N 624-) Fig 5-26r02



## Vise Clamp Cylinder (S/N 624-) Fig 5-26r02

REF. NO.	*	PART NO.	DESCRIPTION	QTY.	REMARKS
		Revision Date	September, 2007		Updated Drawing
1		232499001	CYLINDER-3X2 CLAMP	2	Breakdown Fig. 12-18
2		901750001	CYLINDER-2X2 1/2 HYD	1	Breakdown Fig. 12-33
3		243921001	BOLT-3/4 - 10 X 2 1/4 GR8 ZP	1	
4		235717001	WASHER-3/4 FLAT HARDENED YELLOW ZINC	1	
5		59426001	FITTING - 90-6MJ-6MORBA	4	
6		902445001	PIN-CYLINDER	1	
7		1794003	HAIR PIN COTTER - .148 WIRE	2	
8		121827020	SCREW-7/8-14X2 SK.HD. CAP GR.8	4	
9		240032001	PIN-.620X2 33/64 BALL LOCK	2	
10		65563001	FITTING - 6M O-RING X 6M JIC 45 DEGREE	1	
11		68774001	FITTING-6MX6M JIC (RUN)X6M JIC	1	
12		1835013	BSHG.-STL.-1 X 3/4 X 1	1	
13		279141001	HOSE - 3/8" X 105" 6FSJIC ST/ST M3K	4	
14		296277610	HOSE-HYD.38X18-6FSJ-ST/ST-3000PSI-M3K	2	
15		296277608	HOSE-HYD-.38X110-6FSJ-ST/ST-3000PSI-M3K	1	
16		296275167	SCREW - WITH GREASE PASSAGE	4	(S/N 624-)
17		598001	FITTING-1/4" NF ST GREASE ZERK	4	(S/N 624-)

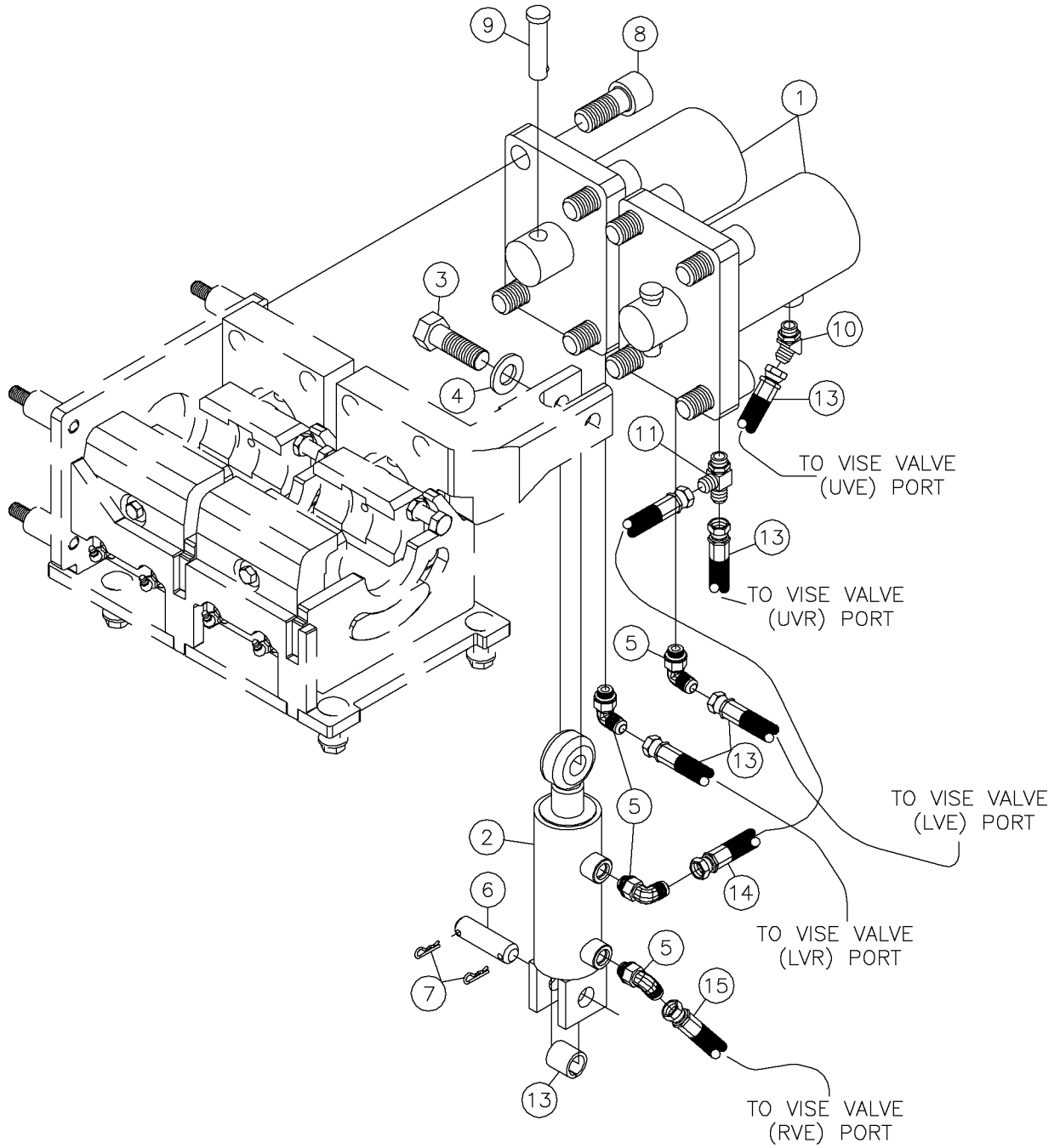
Vise Clamp Cylinder Fig 5-26r01



## Vise Clamp Cylinder Fig 5-26r01

REF. NO.	*	PART NO.	DESCRIPTION	QTY.	REMARKS
		Revision Date	March, 2005		Update In Illustration & Parts List.
1		232499001	CYLINDER-3X2 CLAMP	2	Breakdown Fig. 12-18
2		901750001	CYLINDER-2X2 1/2 HYD	1	Breakdown Fig. 12-33
3		243921001	BOLT-3/4 - 10 X 2 1/4 GR8 ZP	1	
4		235717001	WASHER-3/4 FLAT HARDENED YELLOW ZINC	1	
5		59426001	FITTING - 90-6MJ-6MORBA	4	
6		902445001	PIN-CYLINDER	1	
7		1794003	HAIR PIN COTTER - .148 WIRE	2	
8		121827020	SCREW-7/8-14X2 SK.HD. CAP GR.8	8	
9		240032001	PIN-.620X2 33/64 BALL LOCK	2	
10		65563001	FITTING - 6M O-RING X 6M JIC 45 DEGREE	1	
11		68774001	FITTING-6MX6M JIC (RUN)X6M JIC	1	
12		1835013	BSHG.-STL.-1 X 3/4 X 1	1	
13		279141001	HOSE - 3/8" X 105" 6FSJIC ST/ST M3K	4	
14		296277610	HOSE-HYD.38X18-6FSJ-ST/ST-3000PSI-M3K	1	
15		296277608	HOSE-HYD-.38X110-6FSJ-ST/ST-3000PSI-M3K	1	

Vise Clamp Cylinder Fig 5-26

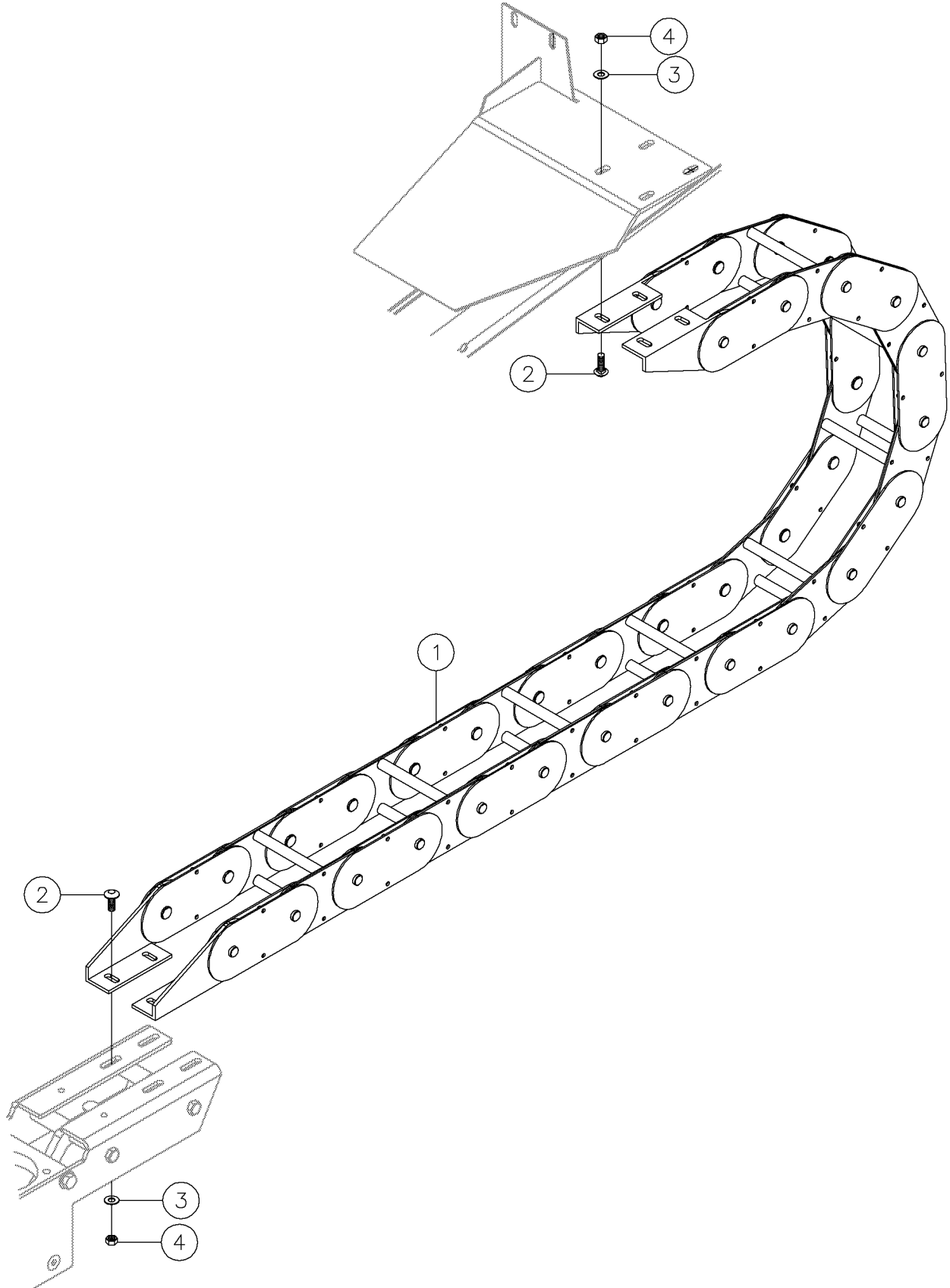




## Vise Clamp Cylinder Fig 5-26

REF. NO.	*	PART NO.	DESCRIPTION	QTY.	REMARKS
1		232499001	CYLINDER-3X2 CLAMP	2	Breakdown Fig. 12-18
2		901750001	CYLINDER-2X2 1/2 HYD	1	Breakdown Fig. 12-33
3		243921001	BOLT-3/4 - 10 X 2 1/4 GR8 ZP	1	
4		235717001	WASHER-3/4 FLAT HARDENED YELLOW ZINC	1	
5		59426001	FITTING - 90-6MJ-6MORBA	4	
6		902445001	PIN-CYLINDER	1	
7		1794003	HAIR PIN COTTER - .148 WIRE	2	
8		121827020	SCREW-7/8-14X2 SK.HD. CAP GR.8	8	
9		240032001	PIN-.620X2 33/64 BALL LOCK	2	
10		65563001	FITTING - 6M O-RING X 6M JIC 45 DEGREE	1	
11		68774001	FITTING-6MX6M JIC (RUN)X6M JIC	1	
12		1835013	BSHG.-STL.-1 X 3/4 X 1	1	
13		59427001	TEE-6MJ-6FSJ-6MJ	4	
14		296277610	HOSE-HYD.38X18-6FSJ-ST/ST-3000PSI-M3K	1	
15		296277609	HOSE-HYD-.38X100-6FSJ-ST/ST-3000PSI-M3K	1	

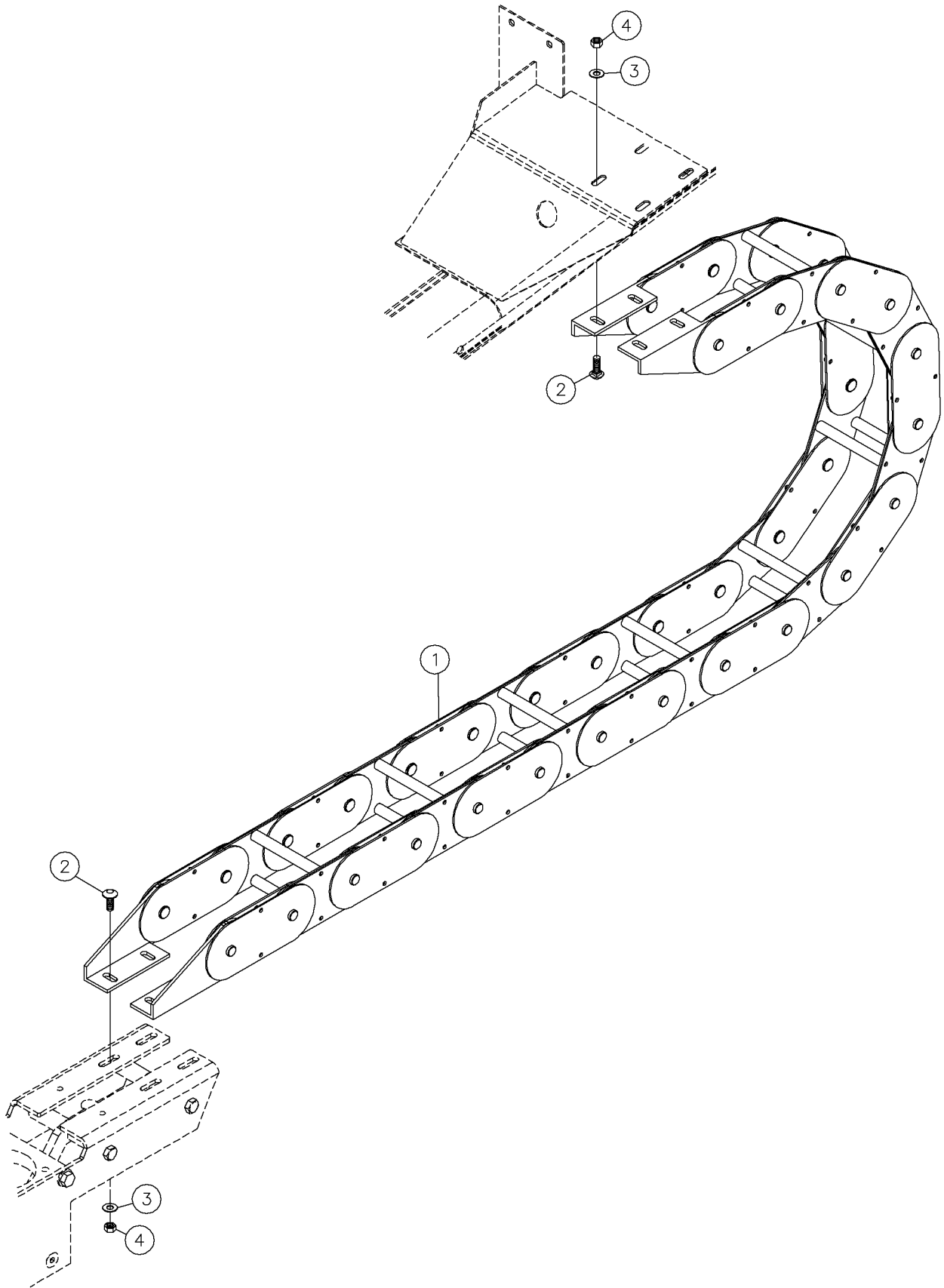
Hose Carrier Fig 5-27r01



## Hose Carrier Fig 5-27r01

REF. NO.	*	PART NO.	DESCRIPTION	QTY.	REMARKS
		Revision Date	March, 2006		Update In Illustration.
1		296276631	HOSE CARRIER	1	Breakdown Fig. 12-14
2		510308110	BOLT-CARG-.38-16X1.00-GR5-YZ	8	
3		510337635	WASHER-FLATSAE-.38-.41X.81-16G-YZ	8	
4		235725001	NUT - HEX - .38 - 16 - GR8 - YZ	8	

Hose Carrier Fig 5-27

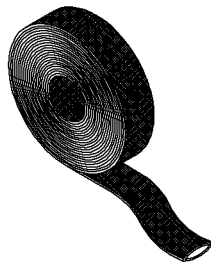


## Hose Carrier Fig 5-27

REF. NO.	*	PART NO.	DESCRIPTION	QTY.	REMARKS
1		296276631	HOSE CARRIER	1	Breakdown Fig. 12-14
2		510308110	BOLT-CARG-.38-16X1.00-GR5-YZ	8	
3		510337635	WASHER-FLATSAE-.38-.41X.81-16G-YZ	8	
4		235725001	NUT - HEX - .38 - 16 - GR8 - YZ	8	

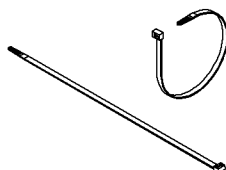
Miscellaneous Supplies Fig 5-28

CORDURA SLEEVES

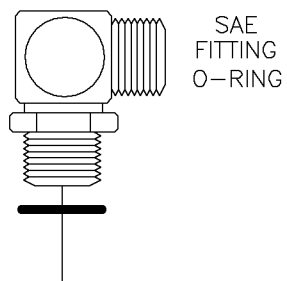


NOTE: SPECIFY LENGTH WHEN ORDERING

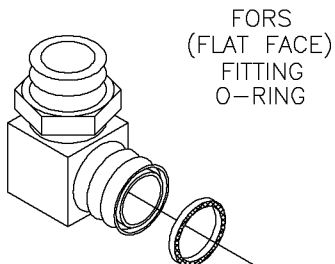
TIE STRAPS



O-RINGS



SAE  
FITTING  
O-RING



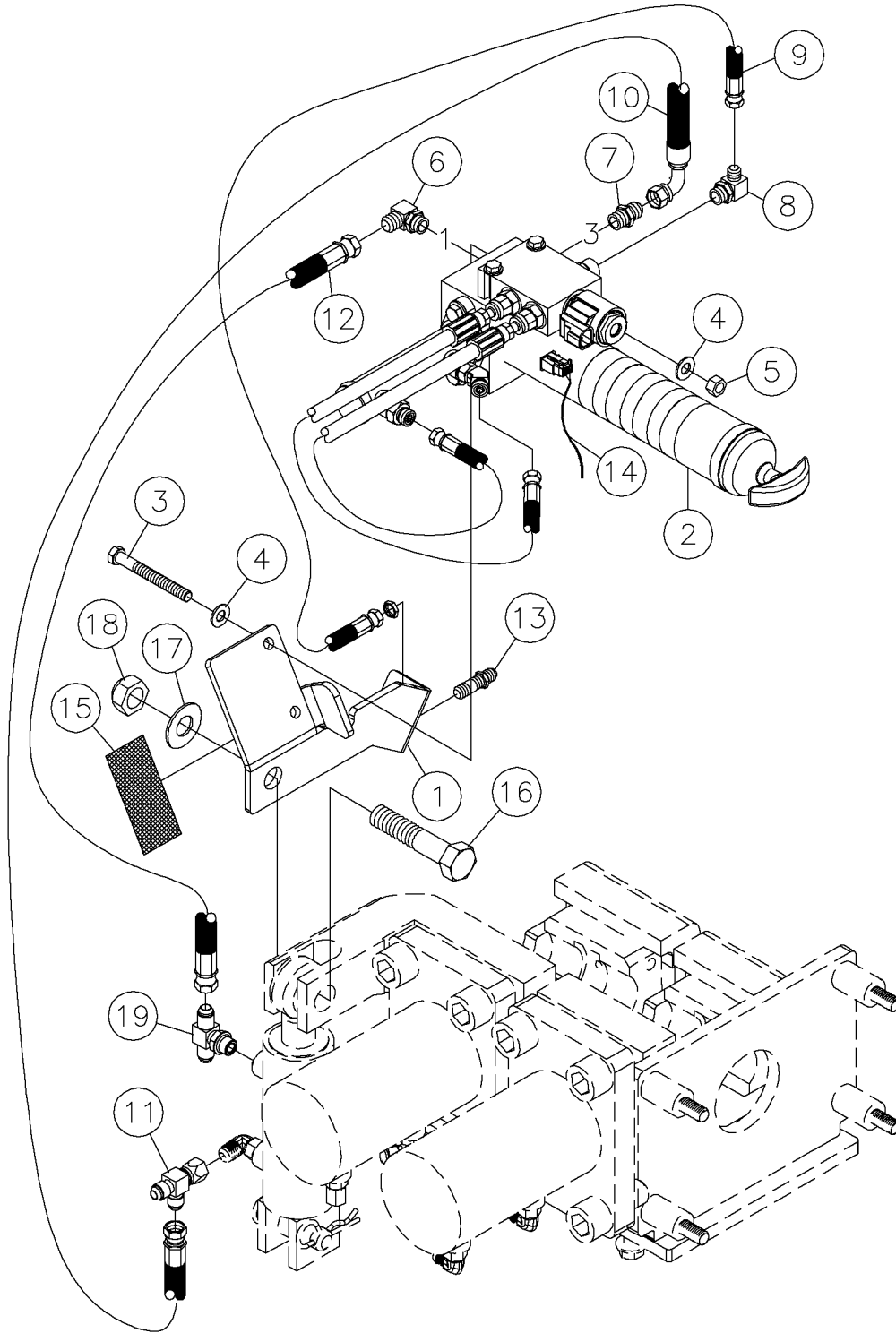
FORS  
(FLAT FACE)  
FITTING  
O-RING

NOTE: O-RINGS LISTED ARE 90 DUROMETER

Miscellaneous Supplies Fig 5-28

REF. NO.	*	PART NO.	DESCRIPTION	QTY.	REMARKS
			<b>CORDURA SLEEVES</b>		
		83726001	INSIDE DIAMETER .71		
		66094001	INSIDE DIAMETER 1.22		
		67264001	INSIDE DIAMETER 1.42		
		69129001	INSIDE DIAMETER 1.59		
		53840001	INSIDE DIAMETER 1.81		
		53841001	INSIDE DIAMETER 2.37		
		235824001	INSIDE DIAMETER 2.66		
			NOTE: SPECIFY LENGTH WHEN ORDERING		
			<b>TIE STRAPS</b>		
		78657001	4 IN. LENGTH		
		59634001	8 IN. LENGTH		
		58151001	15 IN. LENGTH		
			<b>O-RINGS</b>		
			<b>SAE FITTING REPLACEMENT O-RING</b>		
		78185027	4M SAE FITTING SIZE		
		53649081	5M SAE FITTING SIZE		
		59088057	6M SAE FITTING SIZE		
		59088053	8M SAE FITTING SIZE		
		792029	10M SAE FITTING SIZE		
		3152013	12M SAE FITTING SIZE		
		3155015	14M SAE FITTING SIZE		
		81580001	16M SAE FITTING SIZE		
		93316001	20M SAE FITTING SIZE		
			<b>O-RINGS</b>		
			<b>FORS FITTING REPLACEMENT O-RING</b>		
		93843001	ORING-AS-011-C90 FOR#4ORS FIT		
		93844001	ORING-AS-012-C90 FOR #6ORS FIT		
		93845001	ORING-AS-014-C90 FOR#8ORS FIT.		
		93846001	O-RING-AS-016-C90 FOR#10ORS FIT		
		93847001	O-RING-AS-018-C90 FOR#12ORS FIT		
		93848001	ORING-AS-021-C90 FOR#16ORS FIT		
		93849001	O-RING-AS-025-C90 FOR#20ORS FIT		
		93850001	O-RING-AS-029-C90 FOR#24ORS FIT		
			NOTE: O-RINGS LISTED ARE 90 DUROMETER		

Auto Greaser Hydraulics Fig 5-29r02





## Auto Greaser Hydraulics Fig 5-29r02

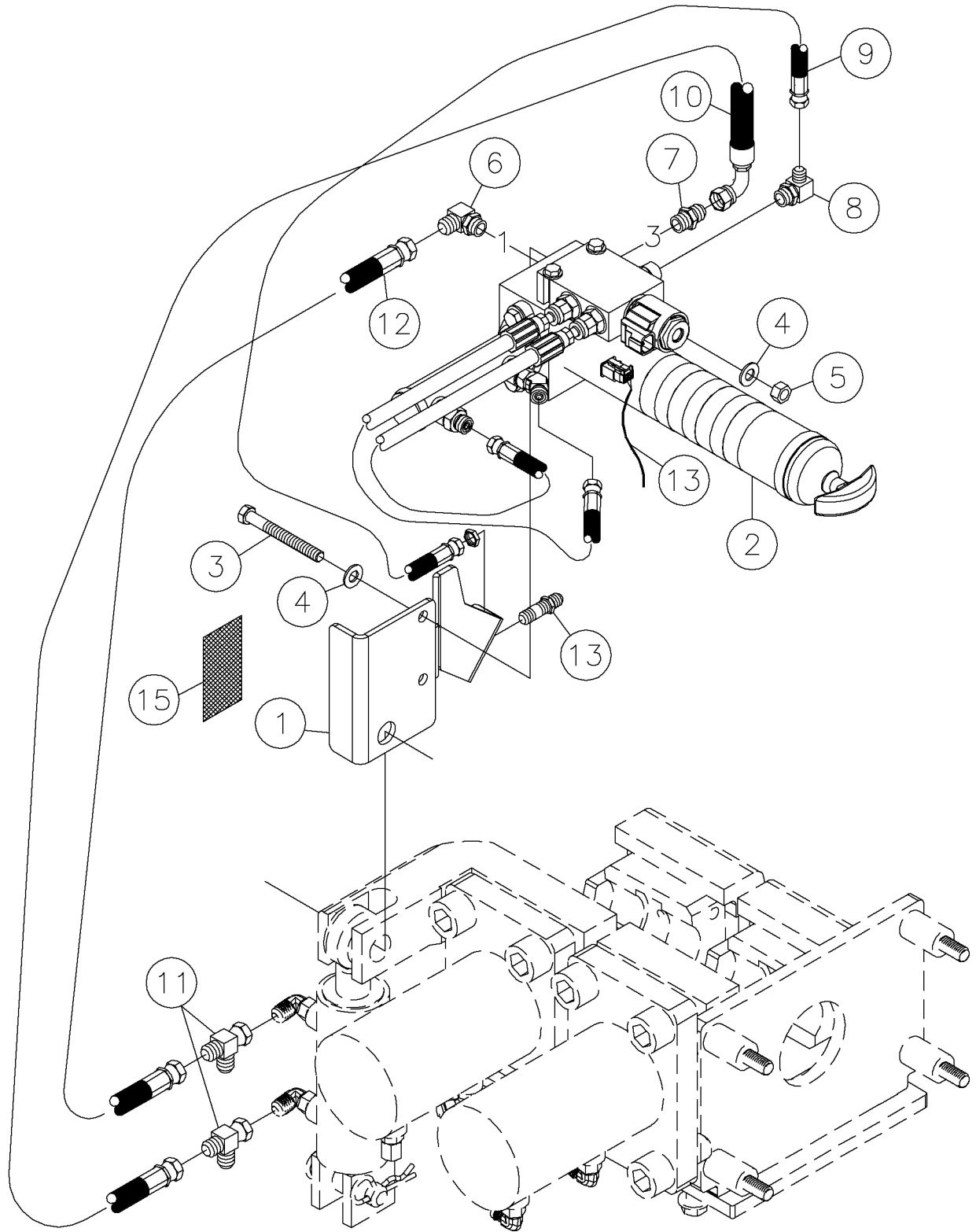
REF. NO.	*	PART NO.	DESCRIPTION	QTY.	REMARKS
		Revision Date	June, 2006		Update In Illustration & Parts List.
1		296278539	BRACKET - GREASER MOUNT	1	
2		294900001	GREASE PUMP AY - VAR DISP	1	Breakdown Fig. 12-20
3		240377001	BOLT-3/8-16X3 1/4 GR8 ZINC PLT	2	
4		235713001	WASHER - FLATSTRL - .38 - .41 X .81 - .06-YA-A325	4	
5		235725001	NUT - HEX - .38 - 16 - GR8 - YZ	2	
6		59426001	FITTING - 90-6MJ-6MORBA	1	
7		251575001	VALVE-CHECK 6MORB 6MJIC INLINE	1	
8		57950001	FITTING-90-4MJ-6MORBA	1	
9		296260424	HOSE - 1/4 X 26 ST/ST 4FSJIC 3300PSI	1	
10		296260445	HOSE-3/8X27 ST/90 6FSJIC 3300 PSI SLVD	1	
11		59427001	TEE-6MJ-6FSJ-6MJ	1	
12		296277610	HOSE-HYD.38X18-6FSJ-ST/ST-3000PSI-M3K	1	
13		65564001	FITTING - 4M JIC BULKHEAD ST.	1	
14		296278516	HARNES - GREASER	1	
15		7000A864	DECAL-WARNING DOMESTIC	1	
		700IA864	DECAL-WARNING INTERNATIONAL	1	
16		124620034	BOLT-3/4-10X3 1/2 GR8 HEX ZINC	1	
17		235717001	WASHER-3/4 FLAT HARDENED YELLOW ZINC	1	
18		250510001	NUT 3/4 NC Gr8 SLTL Y/ZINC	1	
19		68787001	FITTING-6M (BCH)X6M JICX6M JIC	1	



## Auto Greaser Hydraulics Fig 5-29r01

REF. NO.	*	PART NO.	DESCRIPTION	QTY.	REMARKS
		Revision Date	March, 2005		Update In Illustration & Parts List.
1		296278539	BRACKET - GREASER MOUNT	1	
2		294900001	GREASE PUMP AY - VAR DISP	1	Breakdown Fig. 12-20
3		240377001	BOLT-3/8-16X3 1/4 GR8 ZINC PLT	2	
4		235713001	WASHER - FLATSTRL - .38 - .41 X .81 - .06-YA-A325	4	
5		235725001	NUT - HEX - .38 - 16 - GR8 - YZ	2	
6		59426001	FITTING - 90-6MJ-6MORBA	1	
7		251575001	VALVE-CHECK 6MORB 6MJIC INLINE	1	
8		57950001	FITTING-90-4MJ-6MORBA	1	
9		296260424	HOSE - 1/4 X 26 ST/ST 4FSJIC 3300PSI	1	
10		296260445	HOSE-3/8X27 ST/90 6FSJIC 3300 PSI SLVD	1	
11		59427001	TEE-6MJ-6FSJ-6MJ	2	
12		296277610	HOSE-HYD.38X18-6FSJ-ST/ST-3000PSI-M3K	1	
13		65564001	FITTING - 4M JIC BULKHEAD ST.	1	
14		296278516	HARNES - GREASER	1	
15		7000A864	DECAL-WARNING DOMESTIC	1	
		700IA864	DECAL-WARNING INTERNATIONAL	1	
16		124620034	BOLT-3/4-10X3 1/2 GR8 HEX ZINC	1	
17		235717001	WASHER-3/4 FLAT HARDENED YELLOW ZINC	1	
18		250510001	NUT 3/4 NC Gr8 SLTL Y/ZINC	1	

Auto Greaser Hydraulics Fig 5-29



## Auto Greaser Hydraulics Fig 5-29

REF. NO.	*	PART NO.	DESCRIPTION	QTY.	REMARKS
1		296278515	BRACKET - GREASER MOUNT	1	
2		294900001	GREASE PUMP AY - VAR DISP	1	Breakdown Fig. 12-20
3		240377001	BOLT-3/8-16X3 1/4 GR8 ZINC PLT	2	
4		235713001	WASHER - FLATSTRL - .38 - .41 X .81 - .06-YA-A325	4	
5		235725001	NUT - HEX - .38 - 16 - GR8 - YZ	2	
6		59426001	FITTING - 90-6MJ-6MORBA	1	
7		251575001	VALVE-CHECK 6MORB 6MJIC INLINE	1	
8		57950001	FITTING-90-4MJ-6MORBA	1	
9		296260424	HOSE - 1/4 X 26 ST/ST 4FSJIC 3300PSI	1	
10		296260445	HOSE-3/8X27 ST/90 6FSJIC 3300 PSI SLVD	1	
11		59427001	TEE-6MJ-6FSJ-6MJ	2	
12		296277610	HOSE-HYD.38X18-6FSJ-ST/ST-3000PSI-M3K	1	
13		65564001	FITTING - 4M JIC BULKHEAD ST.	1	
14		296278516	HARNESS - GREASER	1	
15		7000A864	DECAL-WARNING DOMESTIC	1	
		700IA864	DECAL-WARNING INTERNATIONAL	1	

Bucket Auto Greaser Mount Fig 5-30

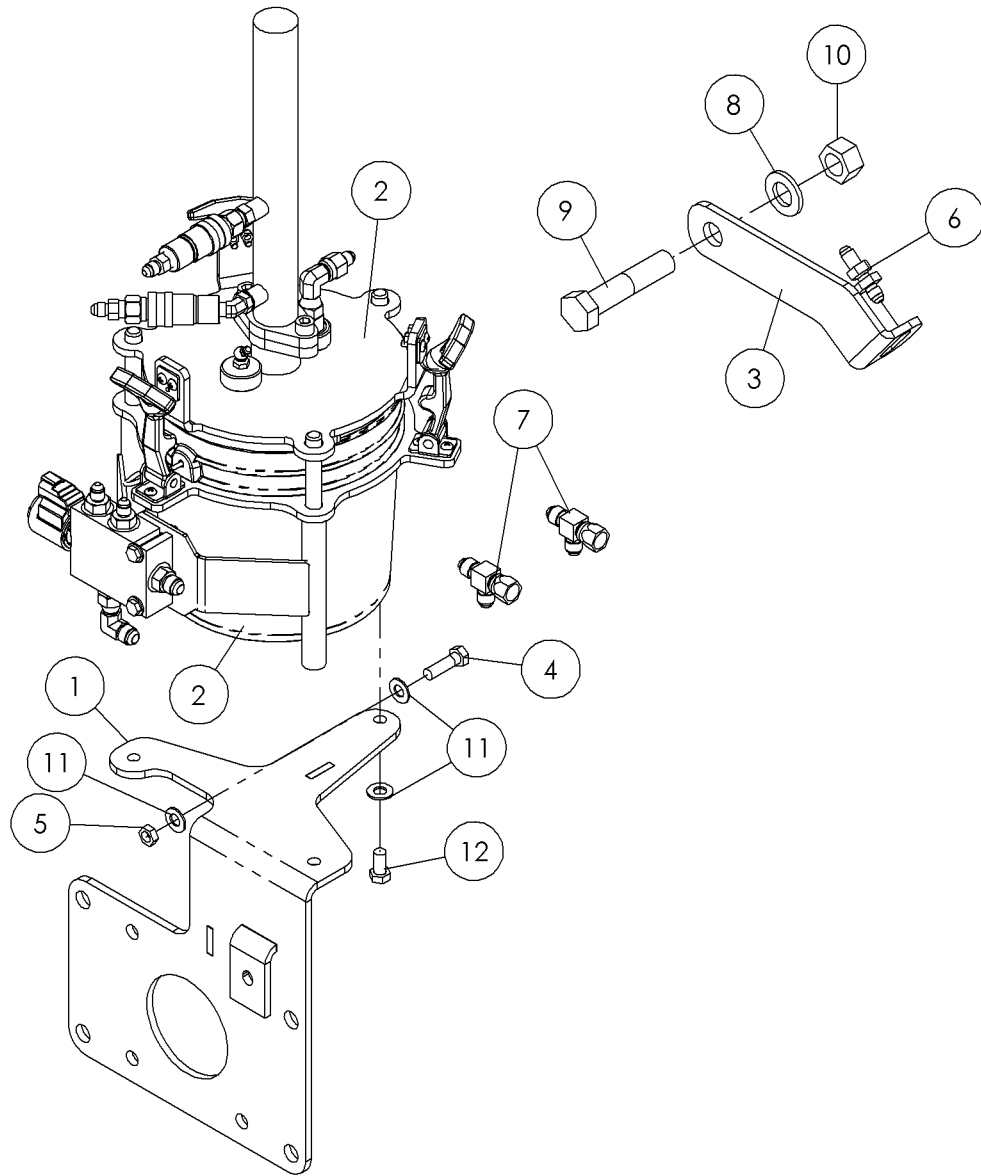


Illustration No. 296289075

## Bucket Auto Greaser Mount Fig 5-30

REF. NO.	*	PART NO.	DESCRIPTION	QTY.	REMARKS
		Revision Date	October, 2007		Change Weldment
1	*	296289067	BRACKET - BREASER MOUNT	1	
2		296287962	ASSEMBLY - AUTO GREASER (1 GAL.	1	
3		296289072	MOUNT - GREASER NOZZLE PLATE	1	
4		235736001	BOLT-3/8-16X1 1/4 ZYC	1	
5		250576001	NUT-3/8 NC HEX JAM W/Y-ZINC	1	
6		65564001	FITTING - 4M JIC BULKHEAD ST.	1	
7		59427001	TEE-6MJ-6FSJ-6MJ	2	
8		235717001	WASHER - 3/4" HARDENED FLAT YZ	1	
9		124620034	BOLT-3/4-10X3 1/2 GR8 HEX ZYC	1	
10		250510001	NUT 3/4 NC Gr8 SLTL Y/ZINC	1	
11		235713001	WASHER - FLATSTRL - .38 - .41 X .81 - .06-YA-A325	5	
12		235726001	BOLT-3/8-16X3/4 GR8 HEX ZNCPLT	3	

Bucket Auto Greaser (1 Gallon) Fig 5-31

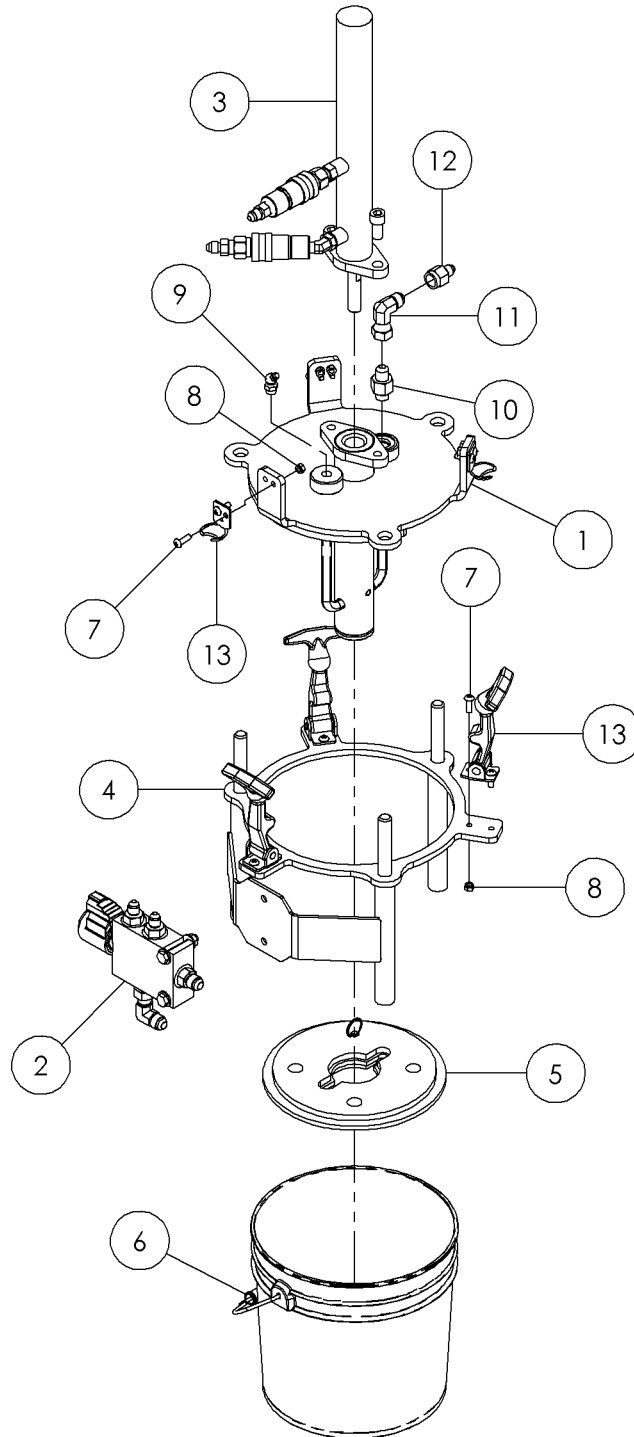


Illustration No. 296287962



## Bucket Auto Greaser (1 Gallon) Fig 5-31

REF. NO.	*	PART NO.	DESCRIPTION	QTY.	REMARKS
		Revision Date	August, 2007		Updated Figure
1		296287952	WELDMENT - GREASE BUCKET TOP	1	
2		296287941	ASSEMBLY - AUTO GREASER VALVE	1	Breakdown Fig. 5-32
3		296287960	CYLINDER - AUTO GREASER	1	Breakdown Fig. 5-33
4		296289052	WELD - BUCKET SUPPORT	1	
5		296287954	ASSEMBLY - GREASER FOLLOWER (1 GAL.	1	Breakdown Fig. 5-34
6		235983001	LUBRICANT - THREAD 1 GALLON	1	
7		233502001	SCREW- #10-24X5/8 PHILLIPS PAN	12	
8		99042001	NUT - NYLOCK - 10 - 24 - GR2 - CZ	12	
9		588001	ZERK-1/8" NPT 45 DEG GREASE	1	
10		296280727	FITTING-CHECK VALVE-6MORX6MJIC-40PSI	1	
11		60851001	FITTING-6M JICX6FS JIC 90ELBOW	1	
12		59928001	6F JICX4M JIC ST REDUCER	1	
13		109591001	LATCH-4" RUBBER T HANDLE	3	

Bucket Auto Greaser Valve Fig 5-32

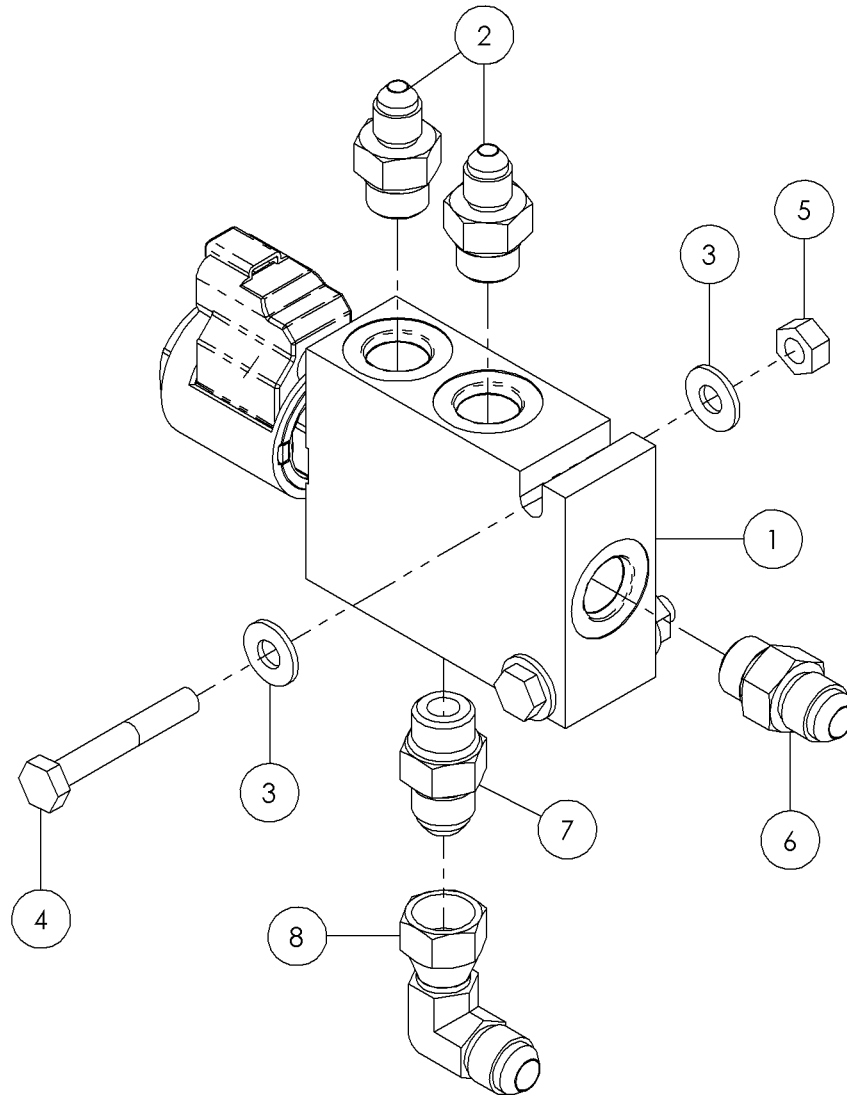


Illustration No. 296287941

## Bucket Auto Greaser Valve Fig 5-32

REF. NO.	*	PART NO.	DESCRIPTION	QTY.	REMARKS
		Revision Date	May, 2007		Updated Figure
1		294901001	VALVE - GREASER	1	Breakdown Fig. 12-21
2	*	131009001	FITTING-4MJICX6MORING ST.062R	2	
3		235716001	WASHER - FLATSTRL - .25 -.28 X .63 - .06 - CZ	4	
4		248107001	BOLT-1/4-20X1 3/4 GR 8 ZINC PL	2	
5		235732001	NUT - HEX - .25 - 20 - GR8 - YZ	2	
6		65565001	FITTING - 6M O-RING X 6M JIC ST.	1	
7	*	251575001	VALVE-CHECK 6MORB 6MJIC INLINE	1	
8		60851001	FITTING-6M JICX6FS JIC 90ELBOW	1	

Bucket Auto Greaser Cylinder (S/N 736-) Fig 5-33r01

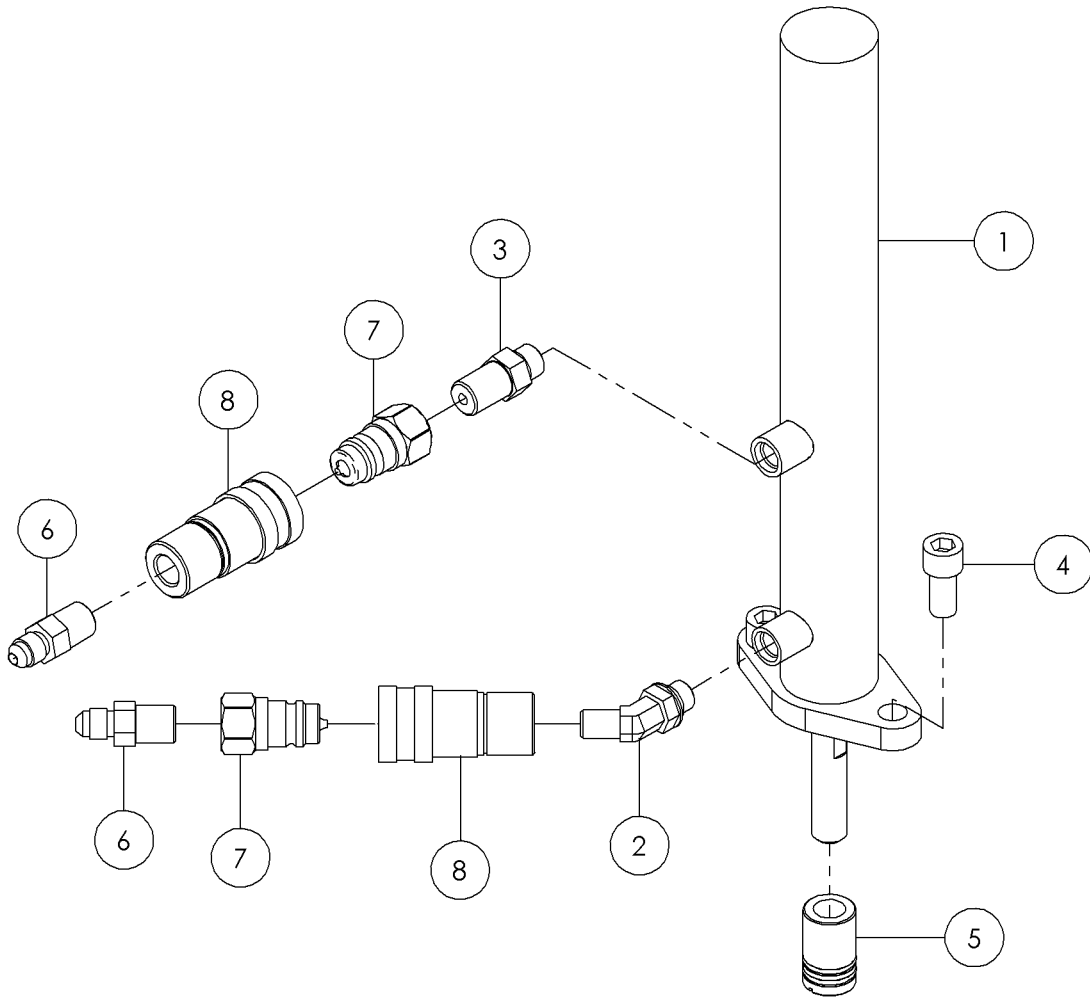


Illustration No. 296287960

## Bucket Auto Greaser Cylinder (S/N 736-) Fig 5-33r01

REF. NO.	*	PART NO.	DESCRIPTION	QTY.	REMARKS
		Revision Date	October, 2007		Change Bolts
1		296289208	CYL - 1.00 BORE X 2.50 STROKE X 0.50 ROD	1	(S/N 736-) Breakdown Fig. 12-35r01
2		296289214	FITTING - 45 - 4MNPT - 4MORBA	1	
3		296289124	FITTING - 4MOR X 4MNPT - ST	1	
4	*	601696010	SOCKET HD CAP SCREW 3/8-16X1 Z	2	
5		296287964	ASSEMBLY - GLAND O-RING	1	
6		67849001	1/4 M X 4M JIC ST.	2	
7		4255003	COUPLER-1/4" M OF QUICK SET	2	
8		4255005	COUPLER-1/4" F OF QUICK SET	2	

Bucket Auto Greaser Cylinder Fig 5-33

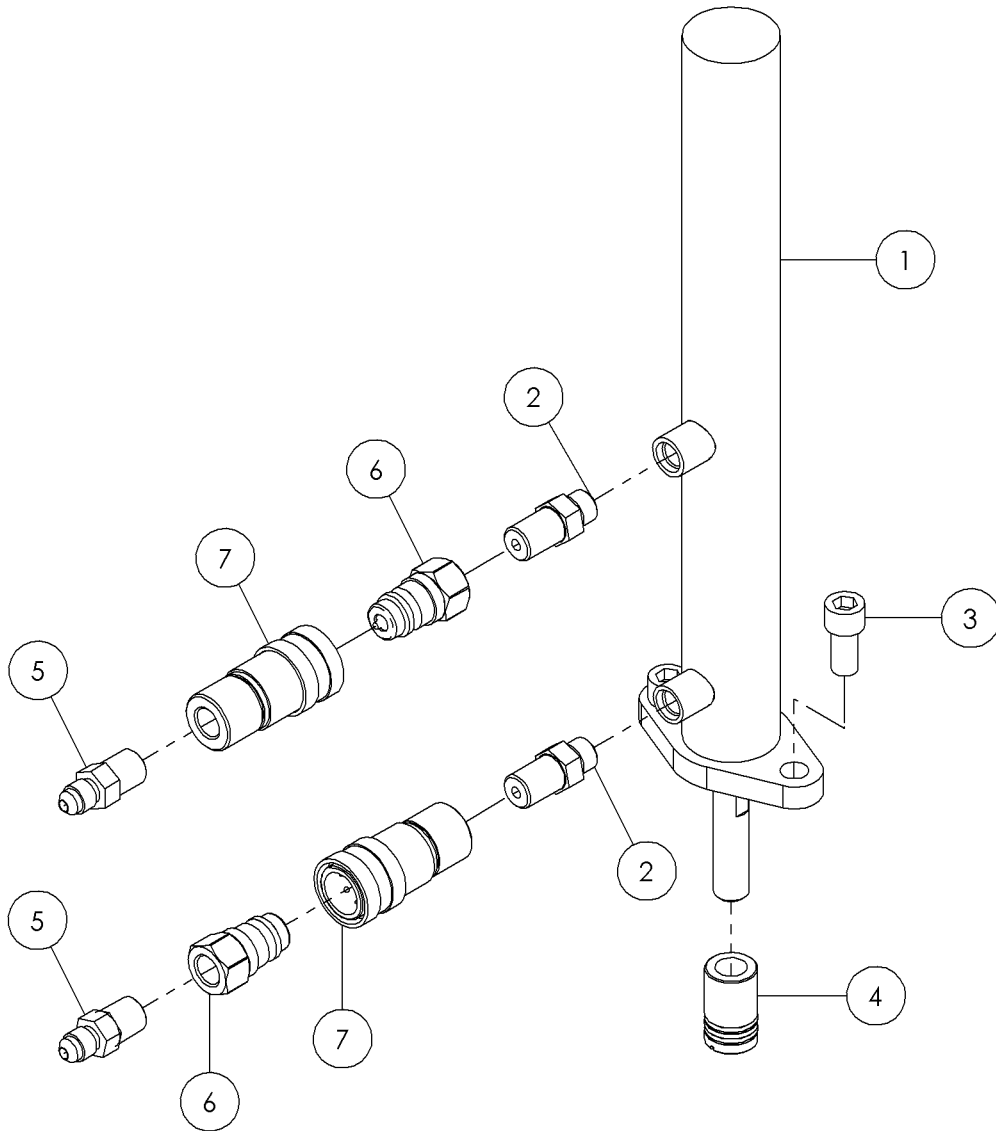


Illustration No. 296287960

## Bucket Auto Greaser Cylinder Fig 5-33

REF. NO.	*	PART NO.	DESCRIPTION	QTY.	REMARKS
		Revision Date	May, 2007		Change Fittings
1		296280672	CYL-1.00 BORE X 3.50 STROKE X 0.50 ROD	1	Breakdown Fig. 12-35
2	*	296289124	FITTING - 4MOR X 4MNPT - ST	2	
3		512006	3/8-16X3/4"SOCKET HEAD BOLT	2	
4		296287964	ASSEMBLY - GLAND O-RING	1	
5	*	67849001	1/4 M X 4M JIC ST.	2	
6	*	4255003	COUPLER-1/4" M OF QUICK SET	2	
7	*	4255005	COUPLER-1/4" F OF QUICK SET	2	

Bucket Auto Greaser Follower Fig 5-34

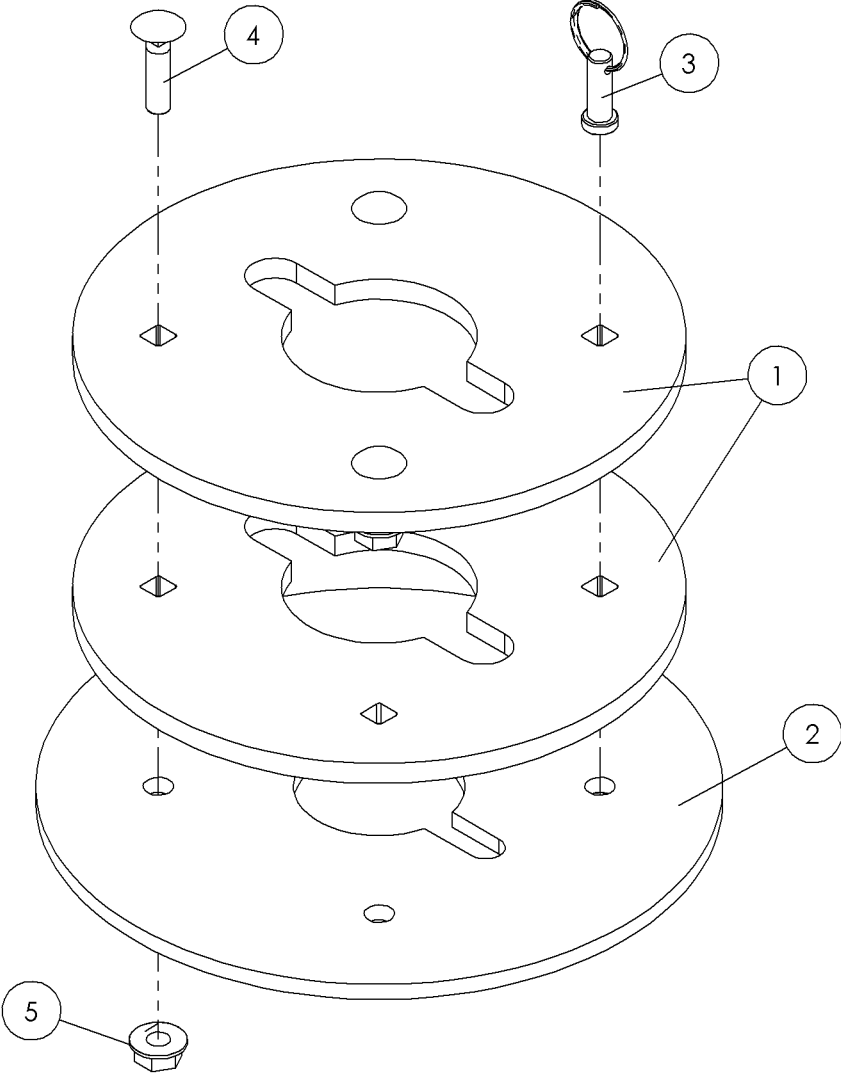


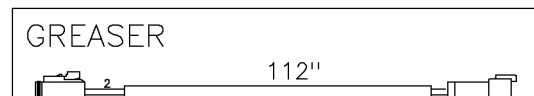
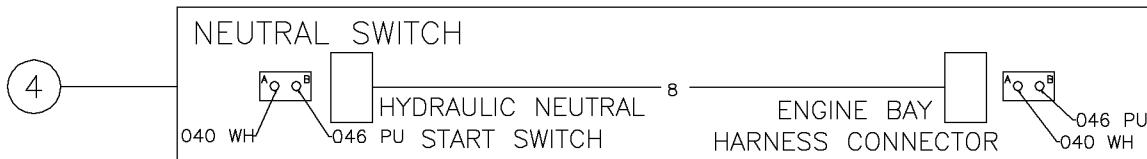
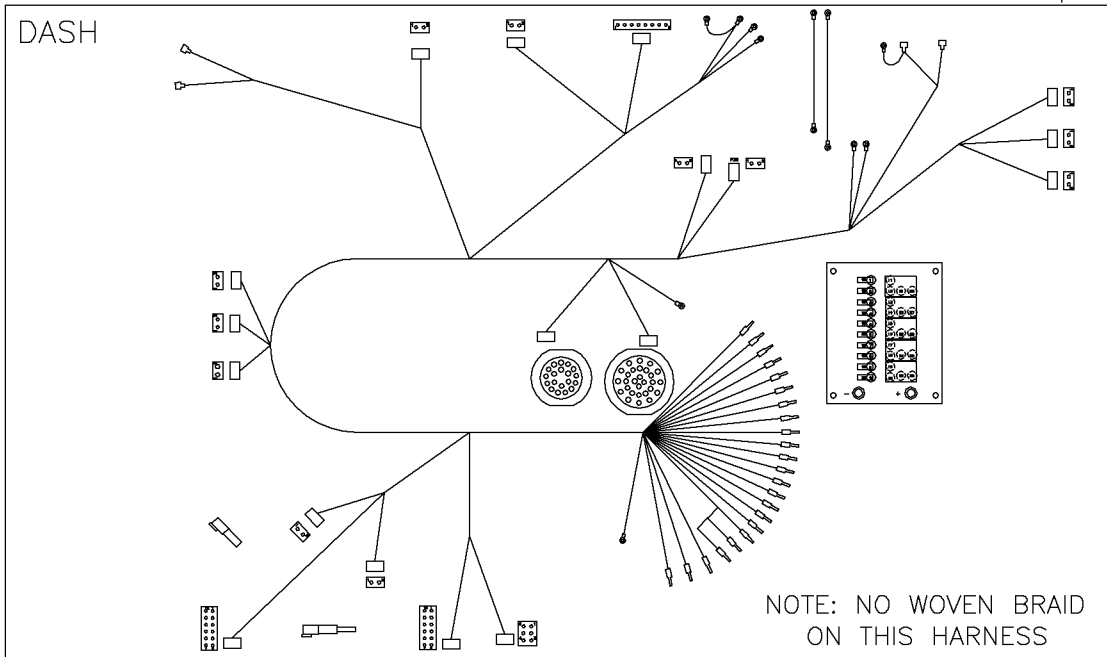
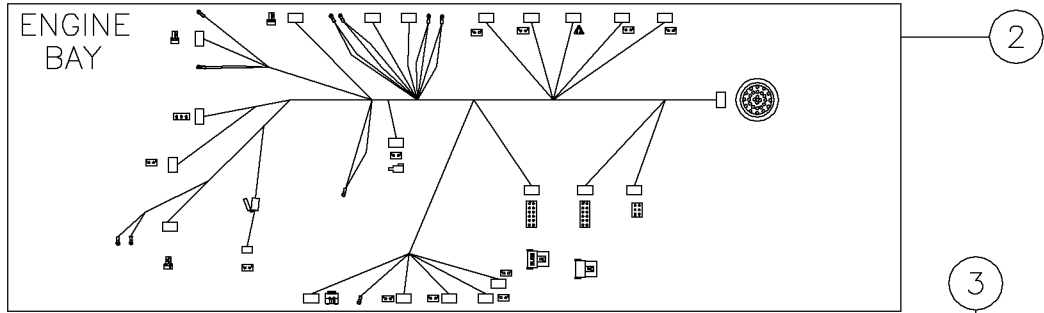
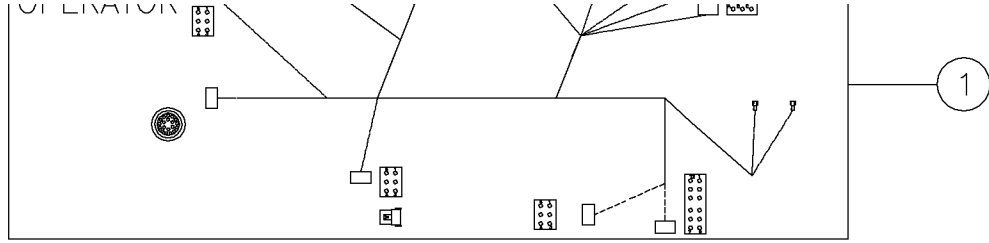
Illustration No. 296287954



## Bucket Auto Greaser Follower Fig 5-34

REF. NO.	*	PART NO.	DESCRIPTION	QTY.	REMARKS
		Revision Date	February, 2007		Addition To Manual
1		296287951	PLATE-GREASE FOLLOWER	2	
2		296287955	SHEET-RUBBER	1	
3		296280696	PIN-CLEVIS-.25X.5 U.L. WITH RING	1	
4		373010	BOLT-CARG-.25-20X1.00-GR5-CZ	3	
5		1809005	NUT-SMFLGTL-.25-20-G-CZ	3	

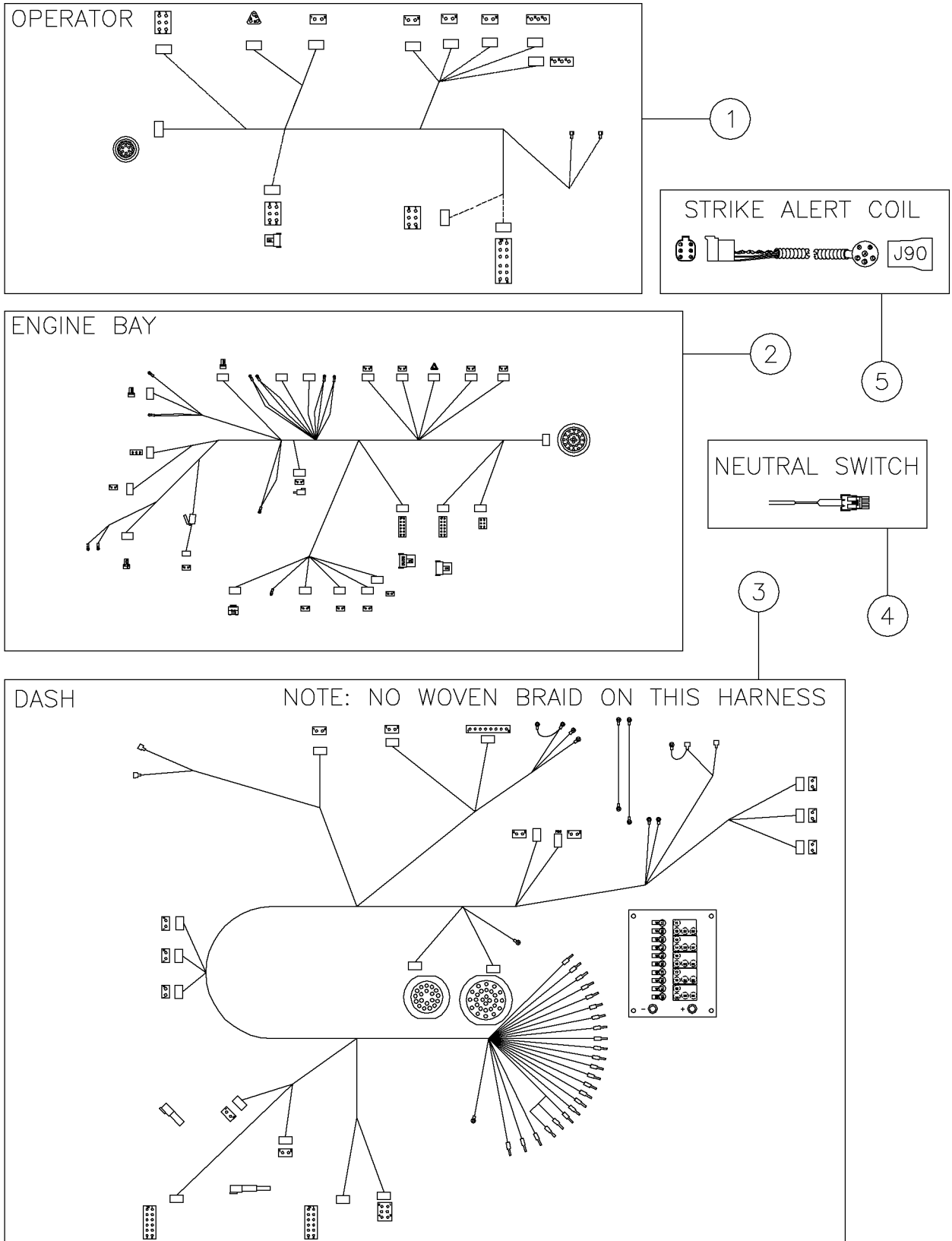
Electrical Harness (S/N 527-) Fig 6-1r03



## Electrical Harness (S/N 527-) Fig 6-1r03

REF. NO.	*	PART NO.	DESCRIPTION	QTY.	REMARKS
		Revision Date	May, 2007		Change Greaser Harness
1		296277709	HARNESS - OPER.CON. D7X11 II SERIES II	1	
2		296277708	HARNESS ENGINE BAY	1	(S/N 458-)
3		296280286	HARNESS - DASH - D7X11 SERIES II	1	
4		296282342	HARNESS - NEUTRAL SWITCH ADAPTOR	1	(S/N 527-)
5		296280272	HARNESS - STRIKE ALERT COIL D7X11II	1	(S/N 332-)
6	*	296289123	HARNESS - GREASER	1	

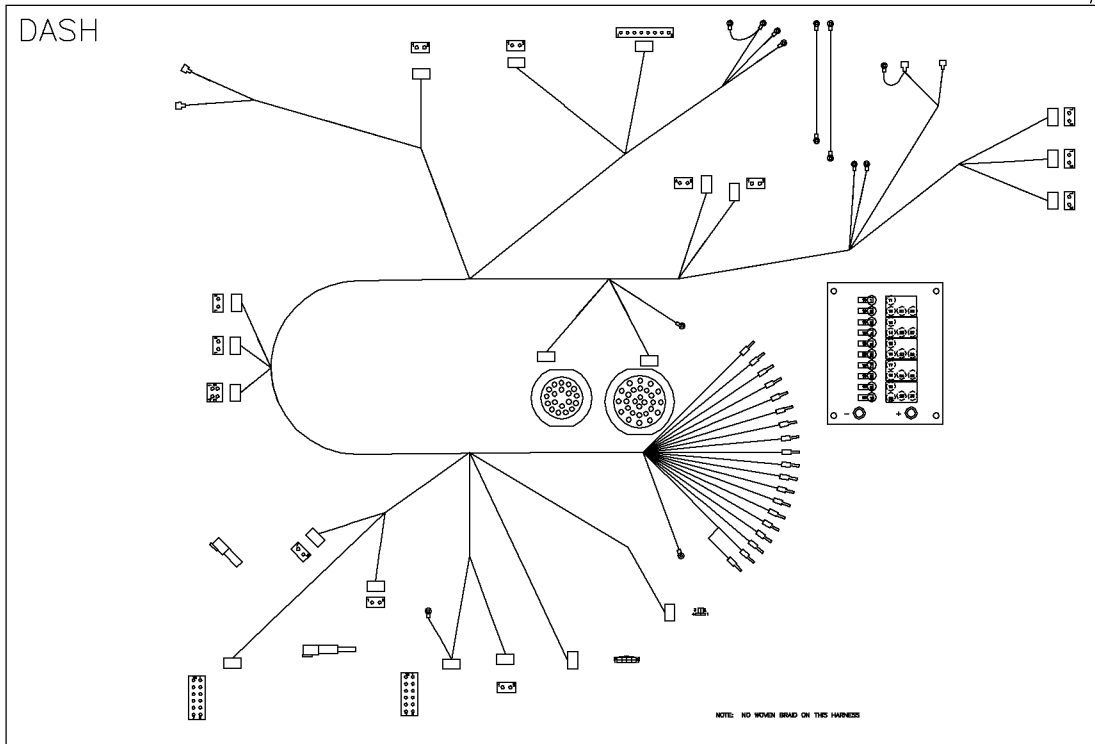
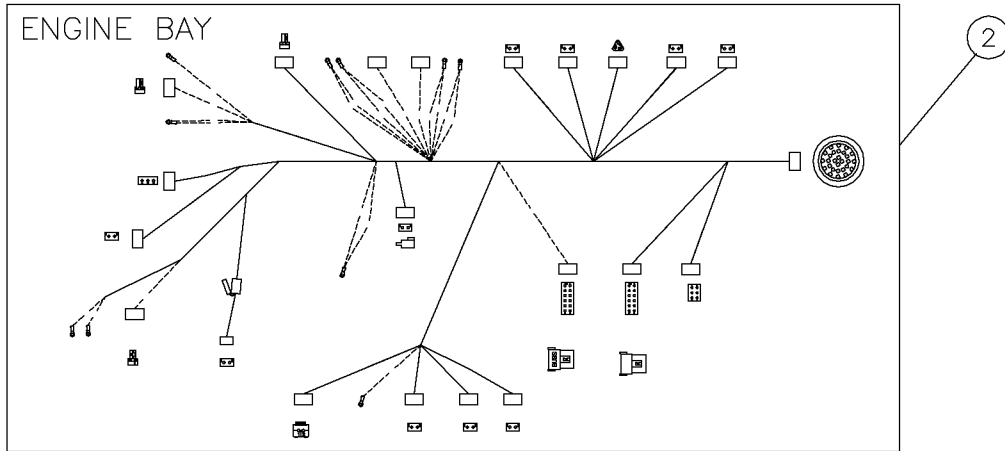
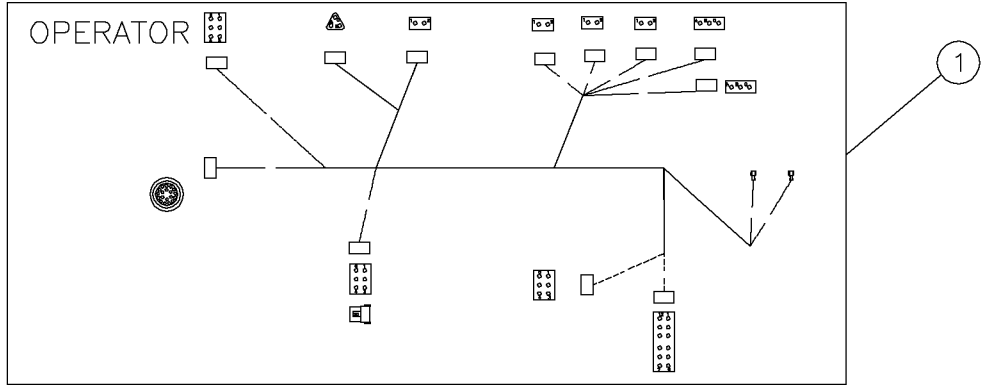
Electrical Harness Fig 6-1r02



## Electrical Harness Fig 6-1r02

REF. NO.	*	PART NO.	DESCRIPTION	QTY.	REMARKS
		Revision Date	March, 2006		Update In Illustration & Parts List.
1		296277709	HARNESS - OPER.CON. D7X11 II SERIES II	1	
2		296277708	HARNESS ENGINE BAY	1	(S/N 458 AND UP)
3		296280286	HARNESS - DASH - D7X11 SERIES II	1	
4		251674001	HARNESS - NEUTRAL SWITCH	1	
5		296280272	HARNESS - STRIKE ALERT COIL D7X11II	1	

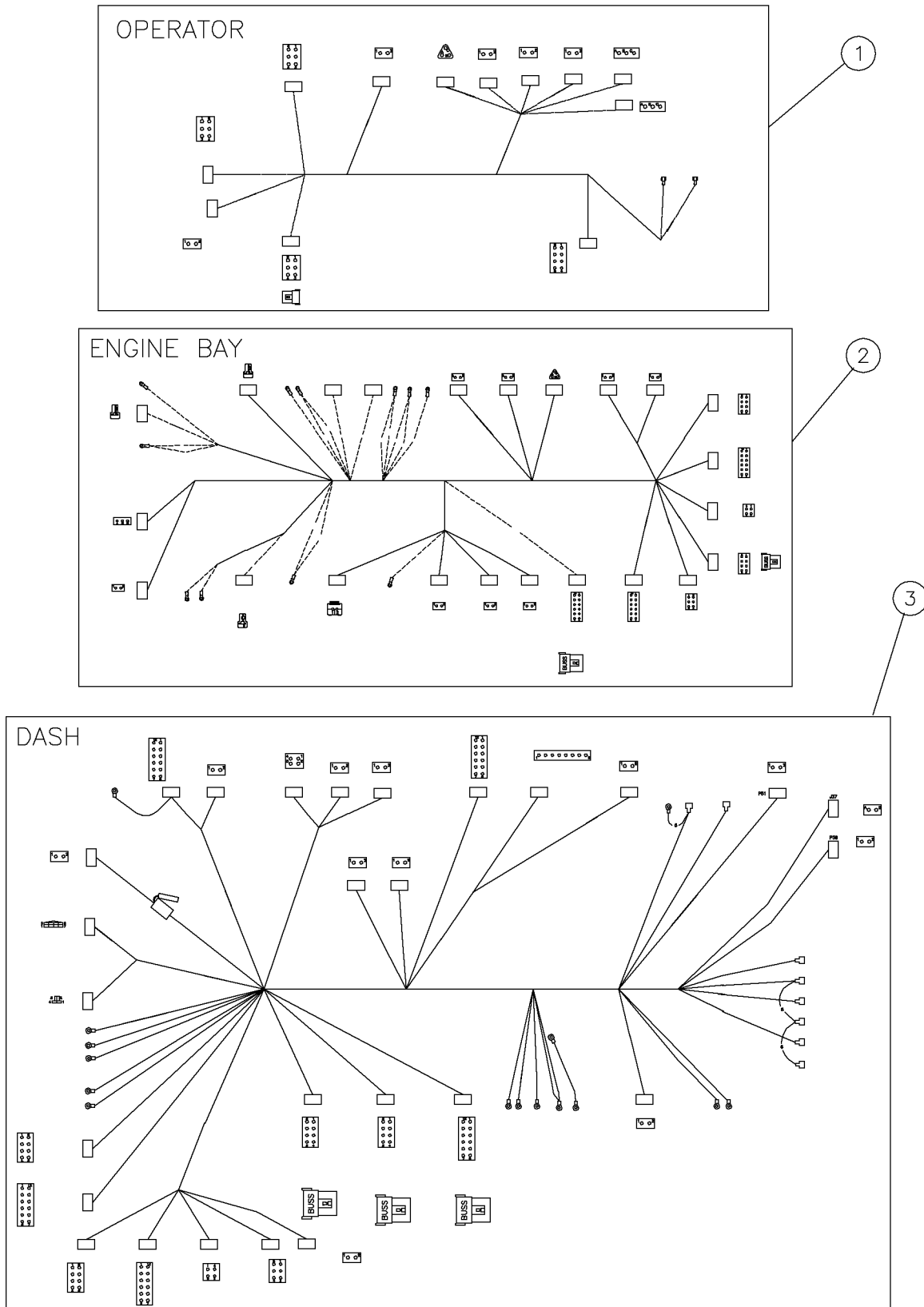
Electrical Harness (S/N 179-) Fig 6-1r01



## Electrical Harness (S/N 179-) Fig 6-1r01

REF. NO.	*	PART NO.	DESCRIPTION	QTY.	REMARKS
		Revision Date	March, 2005		Update In Illustration & Parts List.
1		296277709	HARNESS - OPER.CON. D7X11 II SERIES II	1	
2		296277708	HARNESS ENGINE BAY	1	
3		296277707	HARNESS - DASH - D7X11 SERIES II	1	

Electrical Harness Fig 6-1

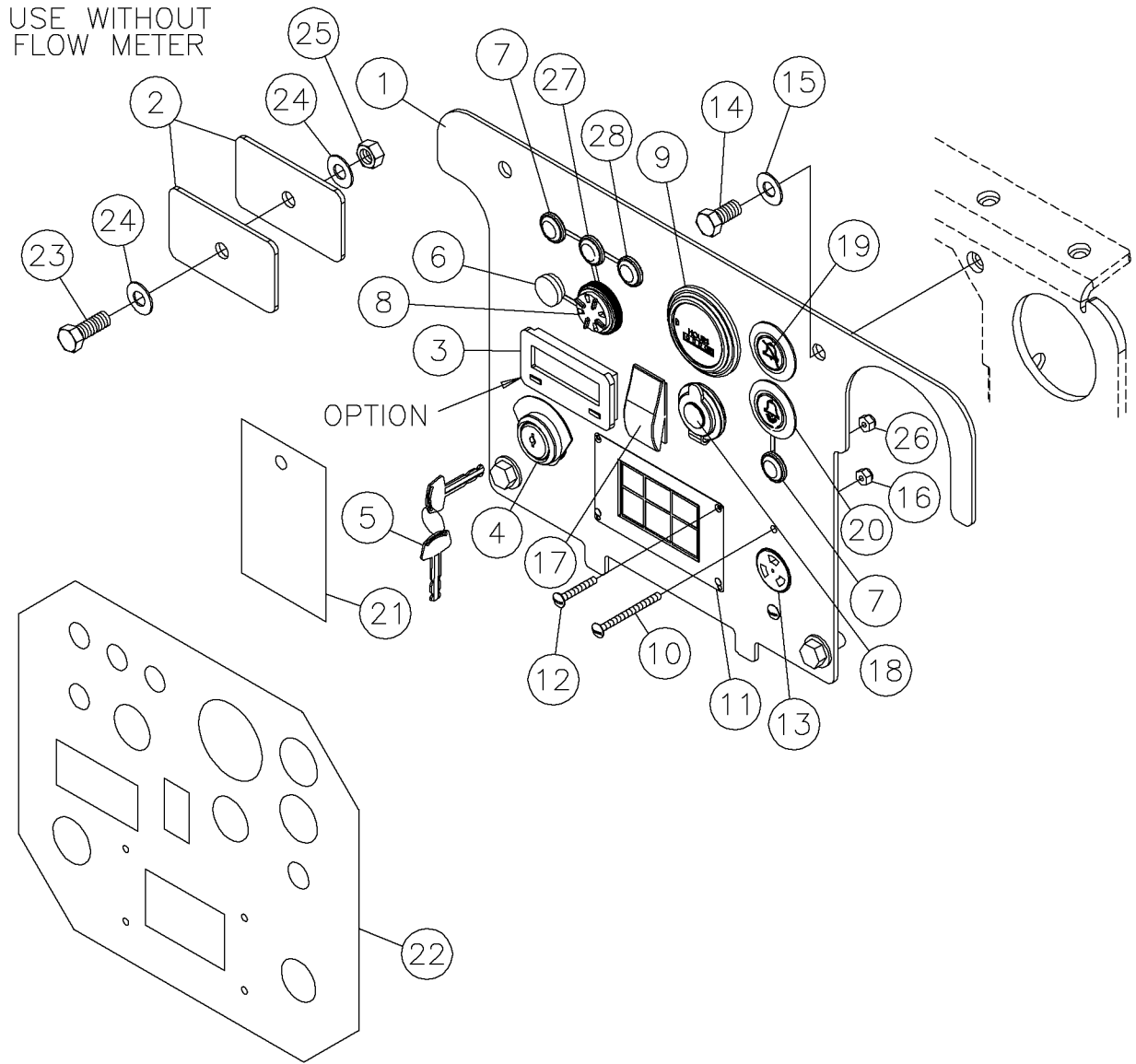




## Electrical Harness Fig 6-1

REF. NO.	*	PART NO.	DESCRIPTION	QTY.	REMARKS
1		296277526	HARNESS - OPER.CON. D7X11 II SERIES II	1	
2		296277527	HARNESS ENGINE BAY D7X11XL	1	
3		296277528	HARNESS - DASH - D7X11XL	1	

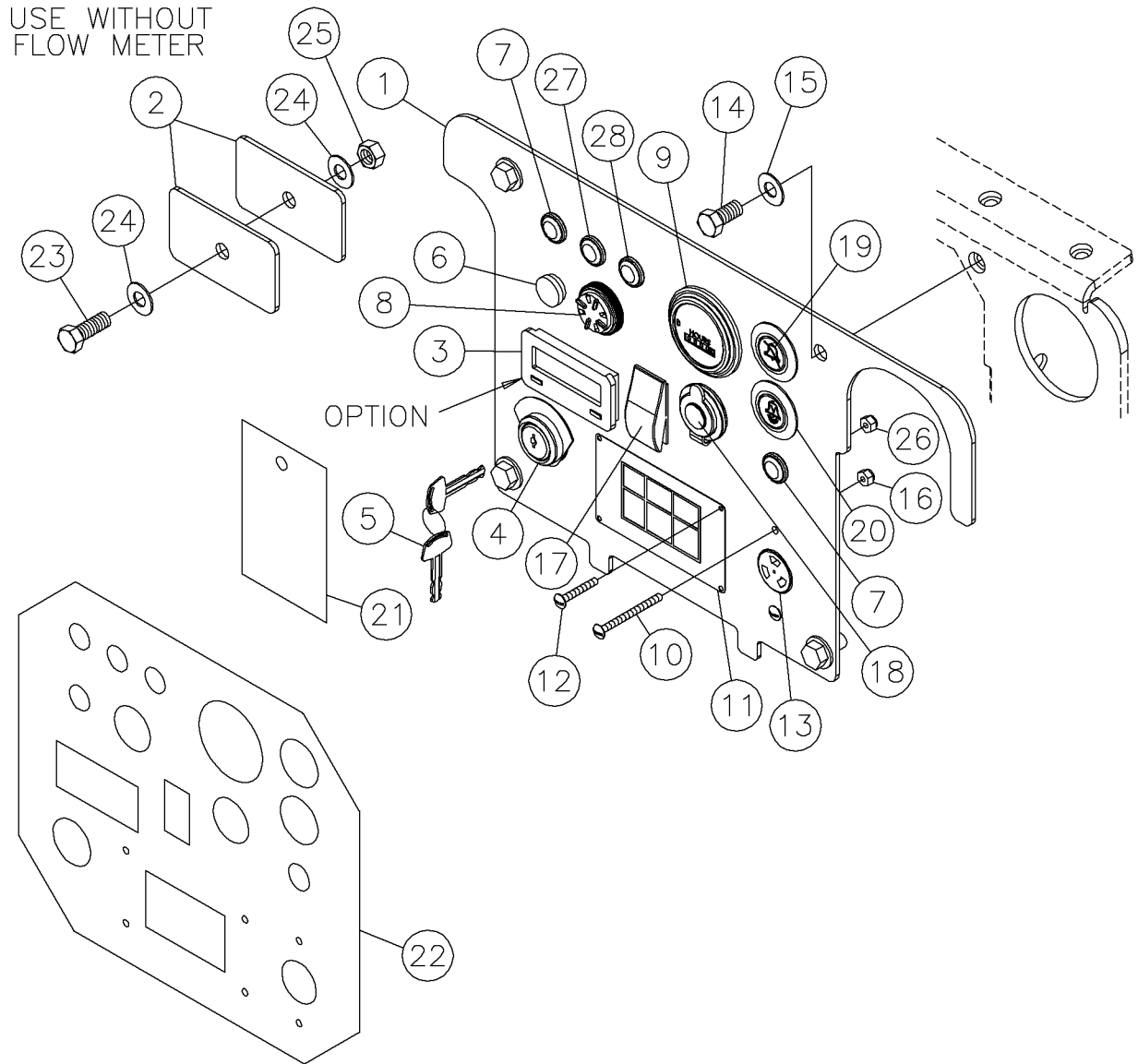
Control Panel Electrical (S/N 332-) Fig 6-2r04



## Control Panel Electrical (S/N 332-) Fig 6-2r04

REF. NO.	*	PART NO.	DESCRIPTION	QTY.	REMARKS
		Revision Date	October, 2007		Change Decal And Profile Of Panel
1	*	296280284	PLATE - GAUGE PANEL	1	
2		296273493	PLATE - FLOWMETER COVER	2	
3		296260406	DISPLAY - FLOW	1	Option
4		296271130	KEY - SWITCH	1	
5		296271129	KEY - SET	1	Two In Set
6		260766001	SWITCH-MOM BUTTON NO	1	(Alarm Cancel Button)
7		296275581	LIGHT - REMOTE LOCKOUT-GREEN	2	(S/N 179-)(Green Indicator Light)(Run Mode Light)
8		286920001	REMOTE LOCKOUT BUZZER	1	(Remote Lockout Buzzer)
9		180006564	GAUGE-HOUR METER MAXIMA	1	(Hourmeter Gauge)
10		905001001	BOLT-8-32 X 2 STOVE	2	
11		219212001	LIGHT MODUAL-STARTER INTERLOCK	1	
		219236001	WINDOW-DISPLAY	1	
12		63737001	SCREW-6-32X1/2 MACHINE	4	
13		296292078	HORN - ZAP ALERT 2 PIN DEUTCSH	1	(S/N 615-)(Strike Alert Horn)
14		235726001	BOLT-3/8-16X3/4 GR8 HEX ZNCPLT	4	
15		235713001	WASHER - FLATSTRL - .38 - .41 X .81 - .06-YA-A325	4	
16		69759001	LOCK NUT-#8-32 NYLON INSERT PL	2	
17		257205001	SWITCH-SP 2 POSITION	1	(Fluid System On/Off)
18		154677001	OUTLET - 12 VOLT	1	(Auxiliary Outlet)
19		296280268	SWITCH-PUSH BUTTON STRK ALERT ALARM OFF	1	(S/N 332-)(Alarm Cancel)
20		296280273	SWITCH - PUSH BUTTON STRIKE ALERT TEST	1	(S/N 332-)(Test Button)
21		296264000	REMOTE ENGINE/HYDRAULIC LOCKOUT CARD	1	
22	*	700IC518	DECAL - CONSOLE	1	
23		235727001	BOLT-3/8-16X1 GR8 HEX ZINC PLT	1	
24		510337635	WASHER-FLATSAE-.38-.41X.81-16G-YZ	2	
25		235725001	NUT - HEX - .38 - 16 - GR8 - YZ	1	
26		69757001	LOCKNUT-#6-32 NYLON INSERT PLT	2	
27		296275583	LIGHT - REMOTE LOCKOUT - AMBER	1	(S/N 179-)(Communication Light)
28		296275582	LIGHT - REMOTE LOCKOUT-RED	1	(S/N 179-)(Lockout Mode Light)

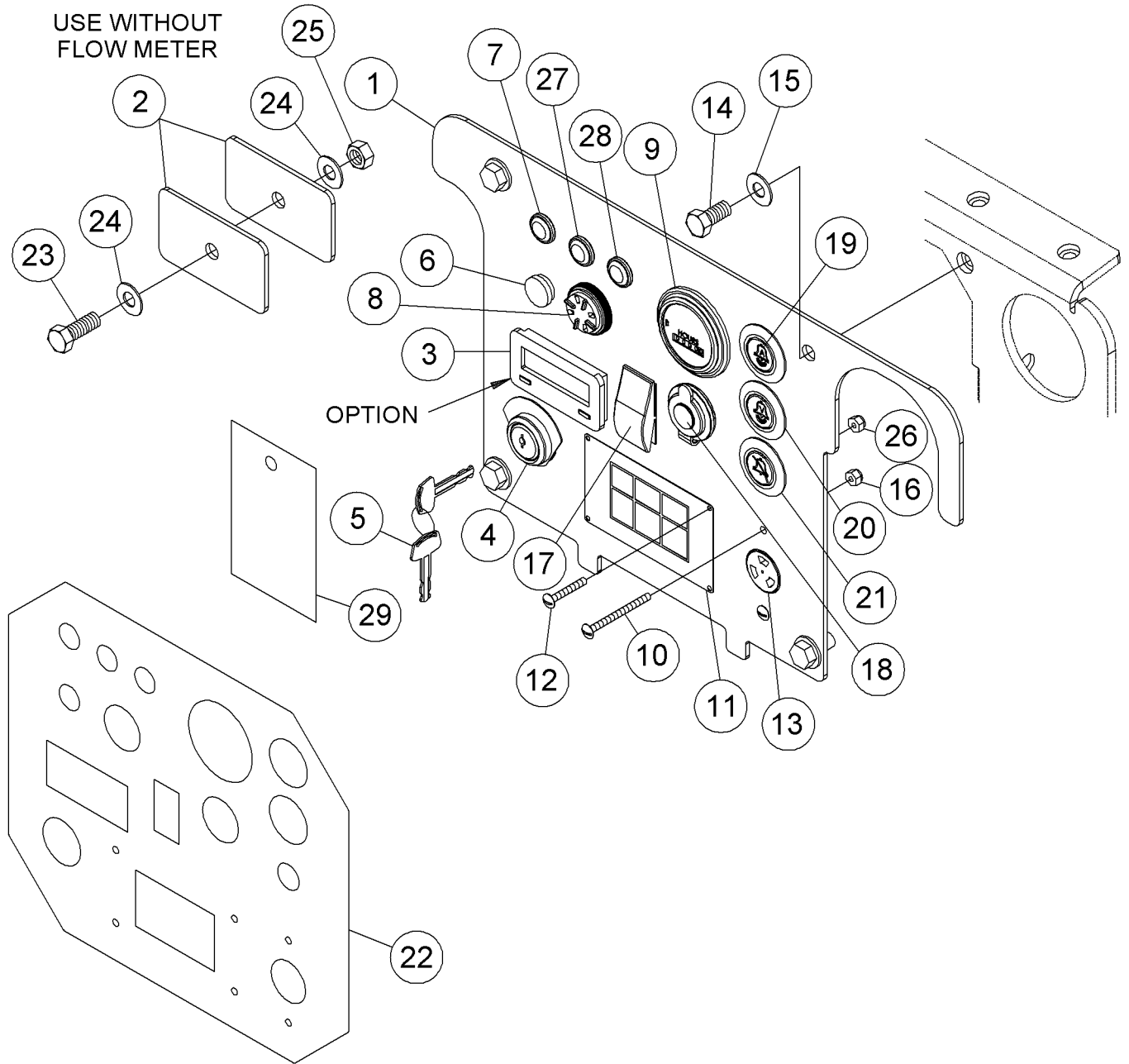
Control Panel Electrical Fig 6-2r03



## Control Panel Electrical Fig 6-2r03

REF. NO.	*	PART NO.	DESCRIPTION	QTY.	REMARKS
		Revision Date	June, 2006		Update In Illustration & Parts List.
1	*	296280284	PLATE - GAUGE PANEL	1	PN Change
2		296273493	PLATE - FLOWMETER COVER	2	
3		296260406	DISPLAY - FLOW	1	Option
4		296271130	KEY - SWITCH	1	
5		296271129	KEY - SET	1	Two In Set
6		260766001	SWITCH-MOM BUTTON NO	1	
7		296275581	LIGHT - REMOTE LOCKOUT-GREEN	2	S/N 179 & Up
8		286920001	REMOTE LOCKOUT BUZZER	1	
9		180006564	GAUGE-HOUR METER MAXIMA	1	
10		905001001	BOLT-8-32 X 2 STOVE	2	
11		219212001	LIGHT MODUAL-STARTER INTERLOCK	1	
		219236001	WINDOW-DISPLAY	1	
12		63737001	SCREW-6-32X1/2 MACHINE	4	
13		285617001	HORN - ZAP ALERT 2 PIN DEUTCSH	1	
14		235726001	BOLT-3/8-16X3/4 GR8 HEX ZNCPLT	4	
15		235713001	WASHER - FLATSTRL - .38 - .41 X .81 - .06-YA-A325	4	
16		69759001	LOCK NUT-#8-32 NYLON INSERT PL	2	
17		257205001	SWITCH-SP 2 POSITION	1	
18		154677001	OUTLET - 12 VOLT	1	
19		296280268	SWITCH-PUSH BUTTON STRK ALERT ALARM OFF	1	
20		296280273	SWITCH - PUSH BUTTON STRIKE ALERT TEST	1	
21		296264000	REMOTE ENGINE/HYDRAULIC LOCKOUT CARD	1	
22		700IC289	DECAL - CONSOLE	1	
23		235727001	BOLT-3/8-16X1 GR8 HEX ZINC PLT	1	
24		510337635	WASHER-FLATSAE-.38-.41X.81-16G-YZ	2	
25		235725001	NUT - HEX - .38 - 16 - GR8 - YZ	1	
26		69757001	LOCKNUT-#6-32 NYLON INSERT PLT	2	
27		296275583	LIGHT - REMOTE LOCKOUT - AMBER	1	S/N 179 & Up
28		296275582	LIGHT - REMOTE LOCKOUT-RED	1	S/N 179 & Up

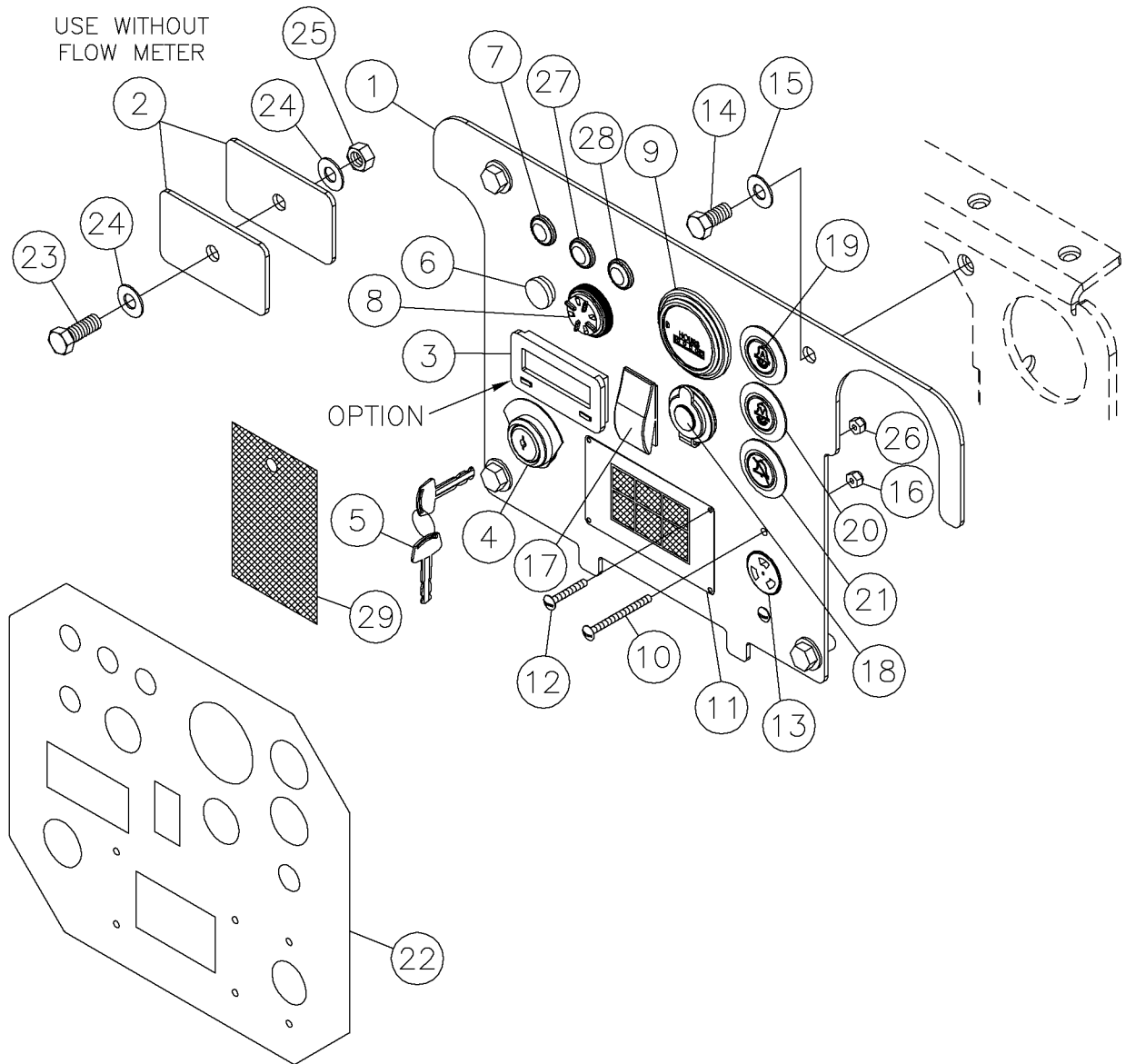
Control Panel Electrical Fig 6-2r02



## Control Panel Electrical Fig 6-2r02

REF. NO.	*	PART NO.	DESCRIPTION	QTY.	REMARKS
		Revision Date	October, 2005		Update In Illus. & Parts List
1	*	296280284	PLATE - GAUGE PANEL	1	PN Change
2		296273493	PLATE - FLOWMETER COVER	2	
3		296260406	DISPLAY - FLOW	1	Option
4		296271130	KEY - SWITCH	1	
5		296271129	KEY - SET	1	Two In Set
6		260766001	SWITCH-MOM BUTTON NO	1	
7		296275581	LIGHT - REMOTE LOCKOUT-GREEN	1	S/N 179 & Up
8		286920001	REMOTE LOCKOUT BUZZER	1	
9		180006564	GAUGE-HOUR METER MAXIMA	1	
10		905001001	BOLT-8-32 X 2 STOVE	2	
11		219212001	LIGHT MODUAL-STARTER INTERLOCK	1	
		219236001	WINDOW-DISPLAY	1	
12		63737001	SCREW-6-32X1/2 MACHINE	4	
13		285617001	HORN - ZAP ALERT 2 PIN DEUTCSH	1	
14		235726001	BOLT-3/8-16X3/4 GR8 HEX ZNCPLT	4	
15		235713001	WASHER - FLATSTRL - .38 - .41 X .81 - .06-YA-A325	4	
16		69759001	LOCK NUT-#8-32 NYLON INSERT PL	2	
17		257205001	SWITCH-SP 2 POSITION	1	
18		154677001	OUTLET - 12 VOLT	1	
19		277697001	SWITCH - PUSH BUTTON ZAP ALERT CURRENT TEST	1	
20		277696001	SWITCH - PUSH BUTTON ZAP ALERT VOLTAGE TEST	1	
21		277695001	SWITCH - PUSH BUTTON ZAP ALERT RESET	1	
22		700IC289	DECAL - CONSOLE	1	
23		235727001	BOLT-3/8-16X1 GR8 HEX ZINC PLT	1	
24		510337635	WASHER-FLATSAE-.38-.41X.81-16G-YZ	2	
25		235725001	NUT - HEX - .38 - 16 - GR8 - YZ	1	
26		69757001	LOCKNUT-#6-32 NYLON INSERT PLT	2	
27		296275583	LIGHT - REMOTE LOCKOUT - AMBER	1	S/N 179 & Up
28		296275582	LIGHT - REMOTE LOCKOUT-RED	1	S/N 179 & Up
29		296264000	REMOTE ENGINE/HYDRAULIC LOCKOUT CARD	1	
	*	296280273	KIT - ZAP ALERT		PN Change (Inc Ref 19-21)

Control Panel Electrical Fig 6-2r01

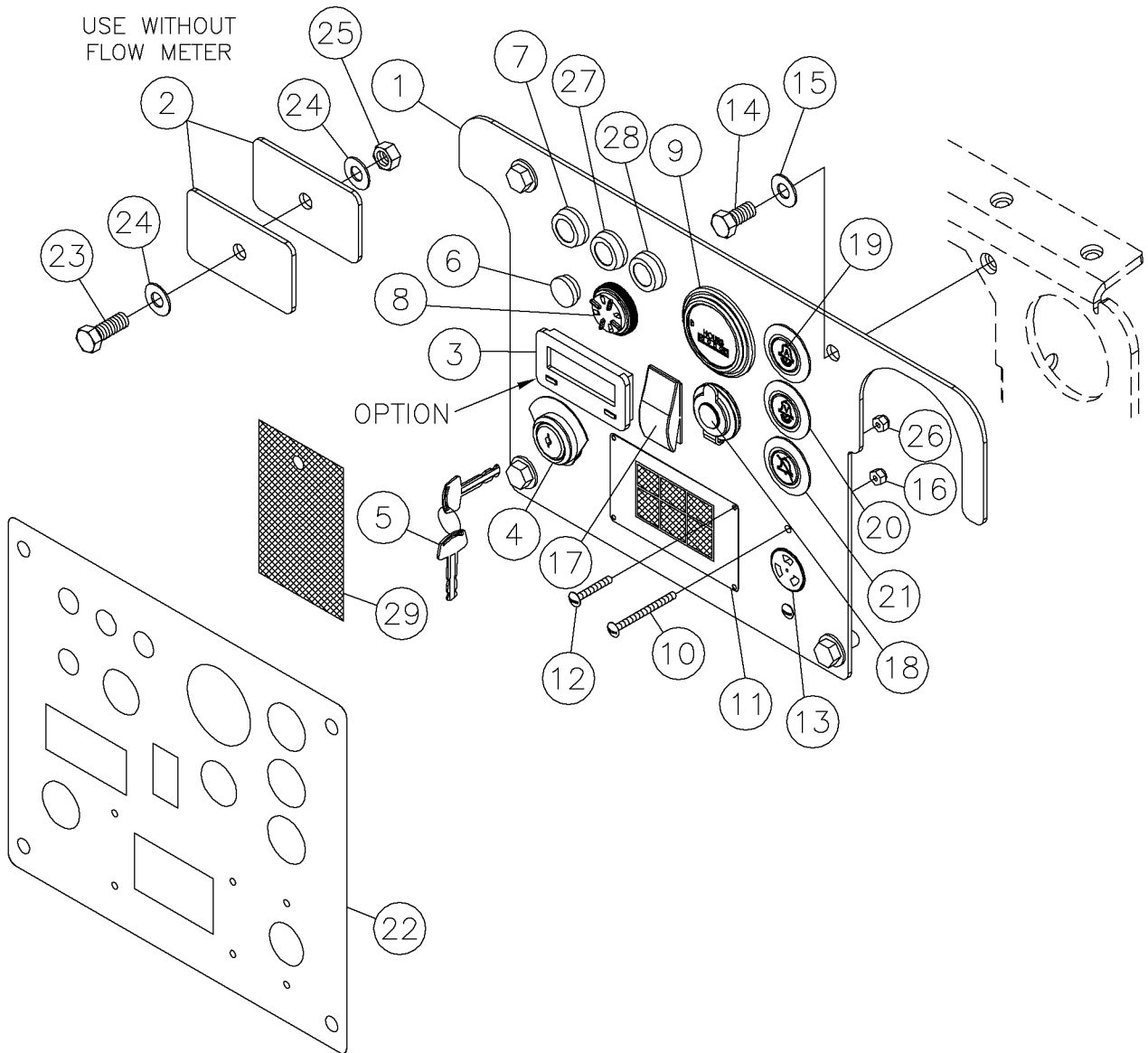




## Control Panel Electrical Fig 6-2r01

REF. NO.	*	PART NO.	DESCRIPTION	QTY.	REMARKS
		Revision Date	March, 2005		Update In Illustration & Parts List.
1		296273325	PLATE - GAUGE PANEL	1	
2		296273493	PLATE - FLOWMETER COVER	2	
3		296260406	DISPLAY - FLOW	1	Option
4		296271130	KEY - SWITCH	1	
5		296271129	KEY - SET	1	Two In Set
6		260766001	SWITCH-MOM BUTTON NO	1	
7		296275581	LIGHT - REMOTE LOCKOUT-GREEN	1	S/N 179 & Up
8		286920001	REMOTE LOCKOUT BUZZER	1	
9		180006564	GAUGE-HOUR METER MAXIMA	1	
10		905001001	BOLT-8-32 X 2 STOVE	2	
11		219212001	LIGHT MODUAL-STARTER INTERLOCK	1	
		219236001	WINDOW-DISPLAY	1	
12		63737001	SCREW-6-32X1/2 MACHINE	4	
13		285617001	HORN - ZAP ALERT 2 PIN DEUTCSH	1	
14		235726001	BOLT-3/8-16X3/4 GR8 HEX ZNCPLT	4	
15		235713001	WASHER - FLATSTRL - .38 - .41 X .81 - .06-YA-A325	4	
16		69759001	LOCK NUT-#8-32 NYLON INSERT PL	2	
17		257205001	SWITCH-SP 2 POSITION	1	
18		154677001	OUTLET - 12 VOLT	1	
19		277697001	SWITCH - PUSH BUTTON ZAP ALERT CURRENT TEST	1	
20		277696001	SWITCH - PUSH BUTTON ZAP ALERT VOLTAGE TEST	1	
21		277695001	SWITCH - PUSH BUTTON ZAP ALERT RESET	1	
22		700IC289	DECAL - CONSOLE	1	
23		235727001	BOLT-3/8-16X1 GR8 HEX ZINC PLT	1	
24		510337635	WASHER-FLATSAE-.38-.41X.81-16G-YZ	2	
25		235725001	NUT - HEX - .38 - 16 - GR8 - YZ	1	
26		69757001	LOCKNUT-#6-32 NYLON INSERT PLT	2	
27		296275583	LIGHT - REMOTE LOCKOUT - AMBER	1	S/N 179 & Up
28		296275582	LIGHT - REMOTE LOCKOUT-RED	1	S/N 179 & Up
29		296264000	REMOTE ENGINE/HYDRAULIC LOCKOUT CARD	1	
		289502001	KIT - ZAP ALERT		Inc Ref 19-21

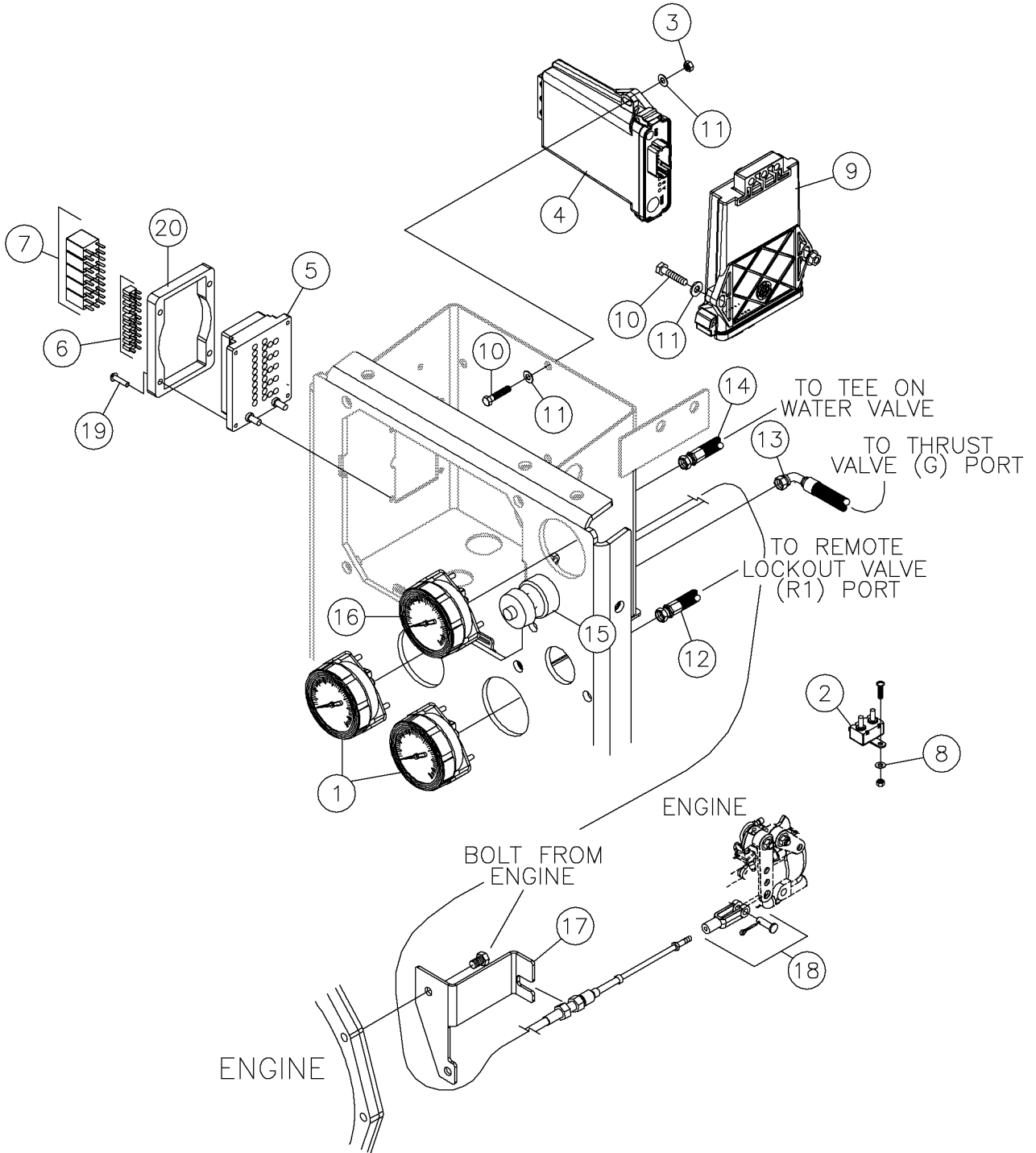
Control Panel Electrical Fig 6-2



## Control Panel Electrical Fig 6-2

REF. NO.	*	PART NO.	DESCRIPTION	QTY.	REMARKS
1		296273325	PLATE - GAUGE PANEL	1	
2		296273493	PLATE - FLOWMETER COVER	2	
3		296260406	DISPLAY - FLOW	1	Option
4		218420007	KEYSWITCH-E01 KIT	1	
5		218420079	KEYS-IGNITION (PAIR)	1	Two In Set
6		260766001	SWITCH-MOM BUTTON NO	1	
7		81374001	LIGHT-GREEN WARNING #338-8049	1	
8		904346001	BUZZER	1	
9		215914001	GAUGE-HR METER 876EM SLD.STATE	1	
10		905001001	BOLT-8-32 X 2 STOVE	2	
11		219212001	LIGHT MODUAL-STARTER INTERLOCK	1	
		219236001	WINDOW-DISPLAY	1	
12		63737001	SCREW-6-32X1/2 MACHINE	4	
13		285617001	HORN - ZAP ALERT 2 PIN DEUTCSH	1	
14		235726001	BOLT-3/8-16X3/4 GR8 HEX ZNCPLT	4	
15		235713001	WASHER - FLATSTRL - .38 - .41 X .81 - .06-YA-A325	4	
16		69759001	LOCK NUT-#8-32 NYLON INSERT PL	2	
17		257205001	SWITCH-SP 2 POSITION	1	
18		154677001	OUTLET - 12 VOLT	1	
19		277697001	SWITCH - PUSH BUTTON ZAP ALERT CURRENT TEST	1	
20		277696001	SWITCH - PUSH BUTTON ZAP ALERT VOLTAGE TEST	1	
21		277695001	SWITCH - PUSH BUTTON ZAP ALERT RESET	1	
22		700IC289	DECAL - CONSOLE	1	
23		235727001	BOLT-3/8-16X1 GR8 HEX ZINC PLT	1	
24		510337635	WASHER-FLATSAE-.38-.41X.81-16G-YZ	2	
25		235725001	NUT - HEX - .38 - 16 - GR8 - YZ	1	
26		69757001	LOCKNUT-#6-32 NYLON INSERT PLT	2	
27		86581001	LIGHT-WARNING (AMBER)	1	
28		27148001	LIGHT-RED WARNING	1	
29		296264000	REMOTE ENGINE/HYDRAULIC LOCKOUT CARD	1	
		289502001	KIT - ZAP ALERT		Inc Ref 19-21

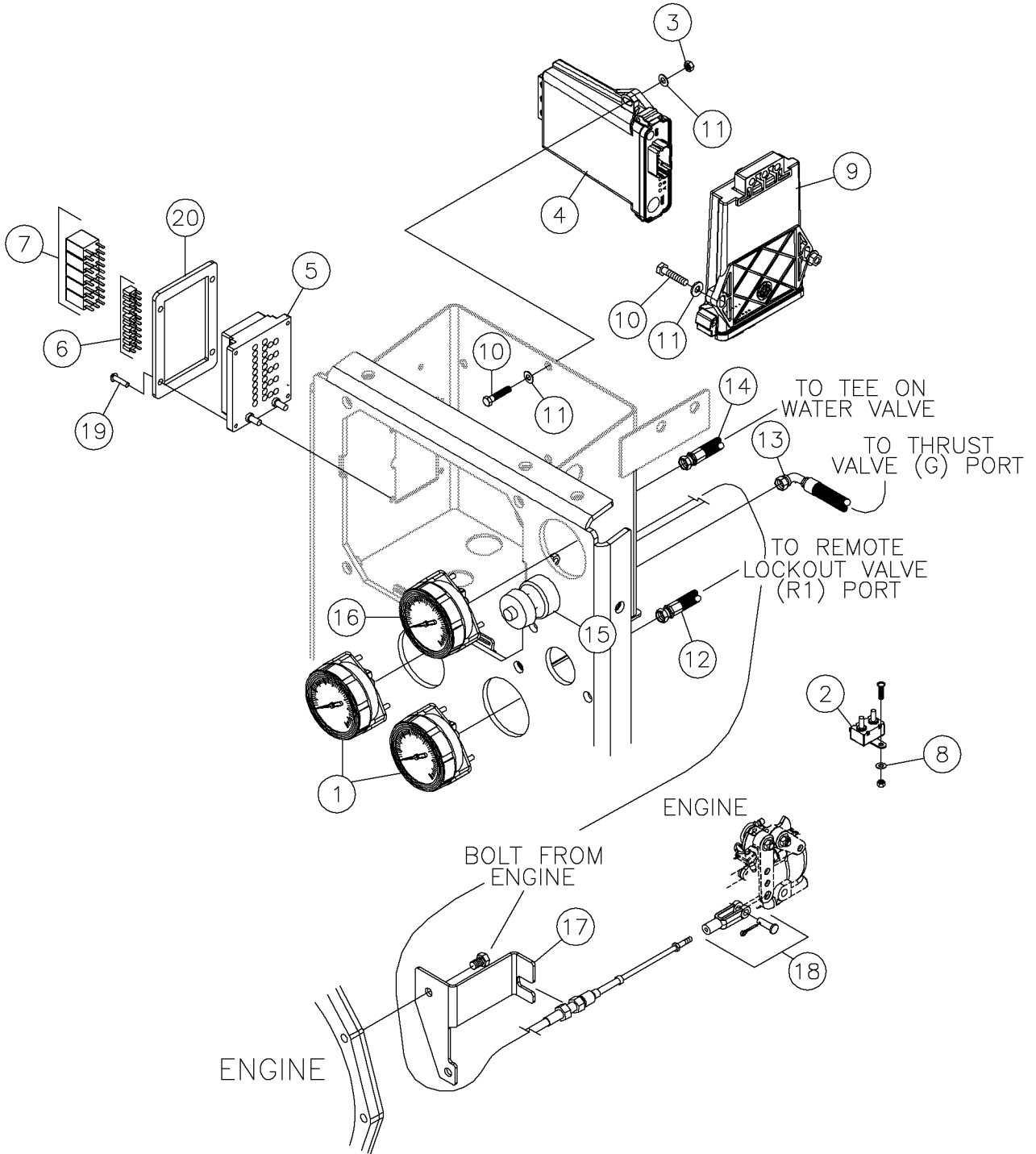
Control Box Electrical (S/N 712-) Fig 6-3r03



## Control Box Electrical (S/N 712-) Fig 6-3r03

REF. NO.	*	PART NO.	DESCRIPTION	QTY.	REMARKS
		Revision Date	August, 2007		Change Profile Of Part 296307268
1		289709001	GAUGE - SPAN 5000 PSI WITH BACKLITE	2	(Left Bottom-Thrust/Pullback Pressure)(Right Bottom-Rotation Pressure)
2		285634001	BREAKER - 50 AMP	1	
3		235732001	NUT - HEX - .25 - 20 - GR8 - YZ	3	
4		296270163	ASM, STRIKEALERT BLANK	1	(S/N 332-)
5		296273500	FUSE/RELAY BLOCK	1	
6		296273497	FUSE - MINI 10 AMP	4	
		296273498	FUSE - MINI 15 AMP	3	
		296273499	FUSE - MINI 20 AMP	2	
7		296277636	RELAY-MICRO 280 SERIES	5	
8		480001	WASHER-3/16 S/T LOCK	2	
9		296272304	ASM - B309 BASE UNIT	1	
10		250008001	BOLT 1/4-20 X 1 1/4 ZINC PL	5	
11		235716001	WASHER - FLATSTRL - .25 -.28 X .63 - .06 - CZ	8	
12		296073001	HOSE-HYD-.25 X 17.5 4FSJ ST/90 3000PSI	1	
13		236481001	HOSE-1/4X26 4FS JIC ST/90 3000	1	
14		296073001	HOSE-HYD-.25 X 17.5 4FSJ ST/90 3000PSI	1	
15		144722001	CABLE-THROTTLE JD4045T	1	(Throttle Control Knob)
16		277616001	GAUGE - 2000 PSI SPAN JIC	1	(Fluid Pressure Gauge)
17		296273314	BRACKET - THROTTLE	1	
18		2786001	CLEVIS-A31125 30 SERIES	1	
19		159338001	10-32X3/4 RH M/S ZP	4	(S/N 712-)
20	*	296307268	PLATE - PANEL SPACER	1	(S/N 712-)

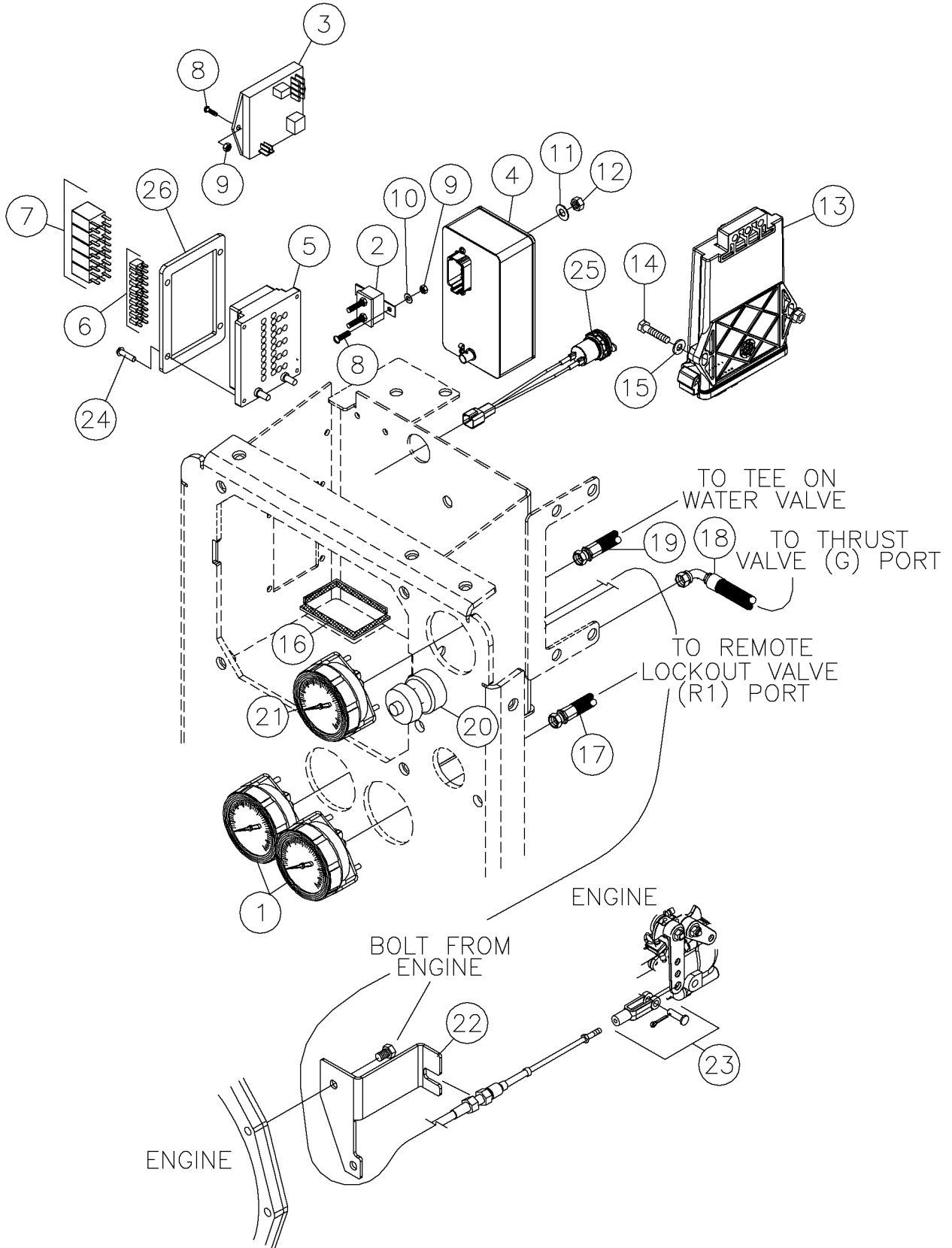
Control Box Electrical Fig 6-3r02



## Control Box Electrical Fig 6-3r02

REF. NO.	*	PART NO.	DESCRIPTION	QTY.	REMARKS
		Revision Date	October, 2006		Update In Illustration & Parts List.
1		289709001	GAUGE - SPAN 5000 PSI WITH BACKLITE	2	(Left Bottom-Thrust/Pullback Pressure)(Right Bottom-Rotation Pressure)
2		285634001	BREAKER - 50 AMP	1	
3	*	235732001	NUT - HEX - .25 - 20 - GR8 - YZ	3	
4	*	296270163	ASM, STRIKEALERT BLANK	1	(S/N 332-)
5		296273500	FUSE/RELAY BLOCK	1	
6		296273497	FUSE - MINI 10 AMP	4	
		296273498	FUSE - MINI 15 AMP	3	
		296273499	FUSE - MINI 20 AMP	2	
7		296277636	RELAY-MICRO 280 SERIES	5	
8		480001	WASHER-3/16 S/T LOCK	2	
9		296272304	ASM - B309 BASE UNIT	1	
10	*	250008001	BOLT 1/4-20 X 1 1/4 ZINC PL	5	
11	*	235716001	WASHER - FLATSTRL - .25 -.28 X .63 - .06 - CZ	8	
12		296073001	HOSE-HYD-.25 X 17.5 4FSJ ST/90 3000PSI	1	
13		236481001	HOSE-1/4X26 4FS JIC ST/90 3000	1	
14		296073001	HOSE-HYD-.25 X 17.5 4FSJ ST/90 3000PSI	1	
15		144722001	CABLE-THROTTLE JD4045T	1	(Throttle Control Knob)
16		277616001	GAUGE - 2000 PSI SPAN JIC	1	(Fluid Pressure Gauge)
17		296273314	BRACKET - THROTTLE	1	
18		2786001	CLEVIS-A31125 30 SERIES	1	
19		504543001	10-32X3/4 RH M/S ZP	4	
20		296278538	PLATE - PANEL SPACER	1	(S/N 125-)

Control Box Electrical Fig 6-3r01

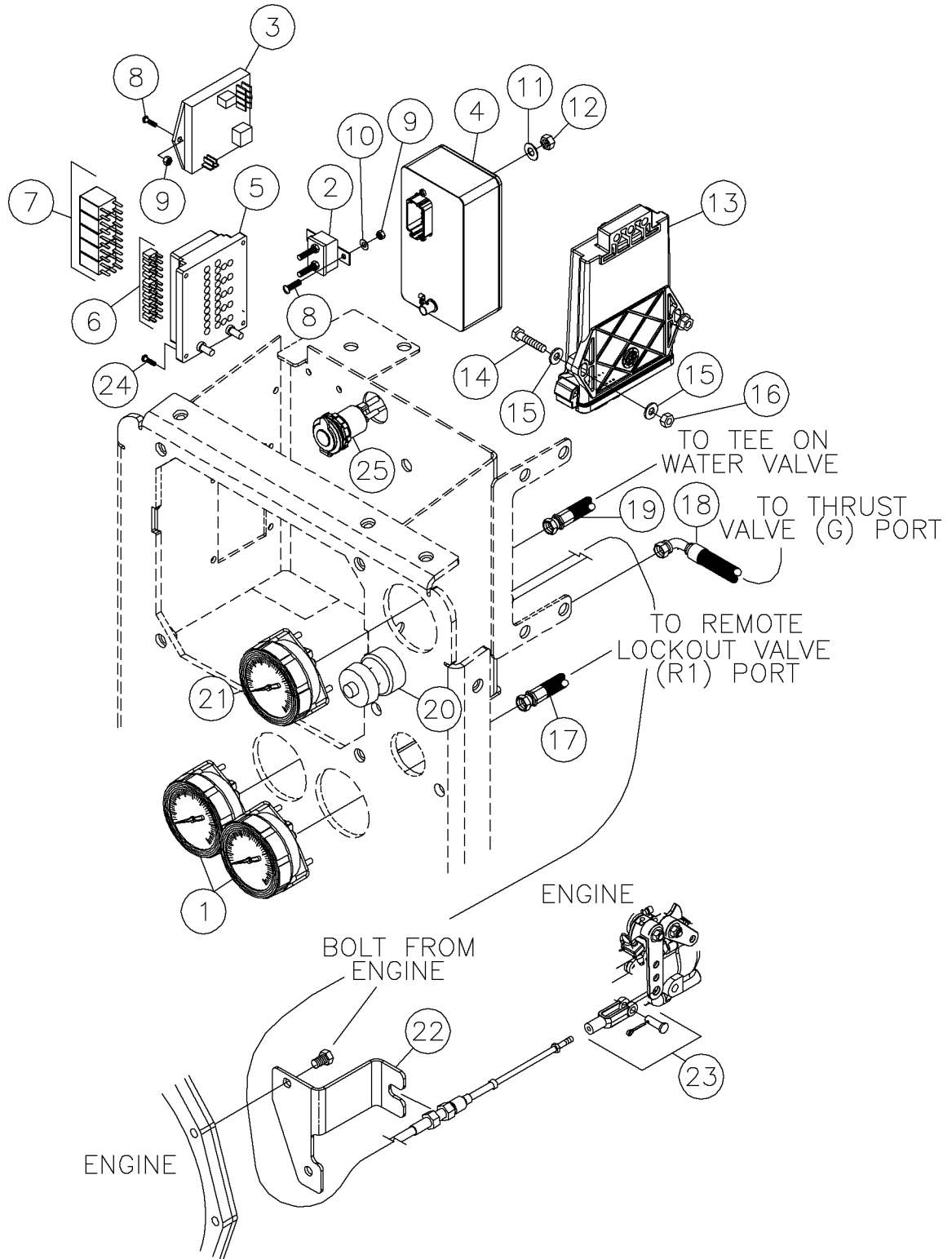




## Control Box Electrical Fig 6-3r01

REF. NO.	*	PART NO.	DESCRIPTION	QTY.	REMARKS
		Revision Date	March, 2005		Update In Illustration & Parts List.
1		289709001	GAUGE - SPAN 5000 PSI WITH BACKLITE	2	
2		285634001	BREAKER - 50 AMP	1	
3		236390001	MODULE-CONTROL DSR/M556A	1	
4		281523001	ZAP ALERT - CURRENT SENSE	1	
5		296273500	FUSE/RELAY BLOCK	1	
6		296273497	FUSE - MINI 10 AMP	4	
		296273498	FUSE - MINI 15 AMP	3	
		296273499	FUSE - MINI 20 AMP	2	
7		296277636	RELAY-MICRO 280 SERIES	5	
8		79525001	SCREW-#10-24X1/2 FLHD MACHINE	4	
9		400001	NUT-3/16 NC HEX	4	
10		480001	WASHER-3/16 S/T LOCK	2	
11		485005	WASHER-5/16 FLAT	2	
12		406001	NUT-5/16 NC HEX	2	
13		296272304	ASM - B309 BASE UNIT	1	
14		250008001	BOLT 1/4-20 X 1 1/4 ZINC PL	2	
15		252251001	WASHER-1/4 SAE FLAT ZP	2	
16		212522001	TRIM-1/4 EDGE	A/R	P/N Qty. Of 1 = 1 Foot
17		296073001	HOSE-HYD-.25 X 17.5 4FSJ ST/90 3000PSI	1	
18		236481001	HOSE-1/4X26 4FS JIC ST/90 3000	1	
19		296073001	HOSE-HYD-.25 X 17.5 4FSJ ST/90 3000PSI	1	
20		144722001	CABLE-THROTTLE JD4045T	1	
21		277616001	GAUGE - 2000 PSI SPAN JIC	1	
22		296273314	BRACKET - THROTTLE	1	
23		2786001	CLEVIS-A31125 30 SERIES	1	
24		504543001	10-32X3/4 RH M/S ZP	4	
25		154677001	OUTLET - 12 VOLT	1	
26		296278538	PLATE - PANEL SPACER	1	S/N 125 & Up

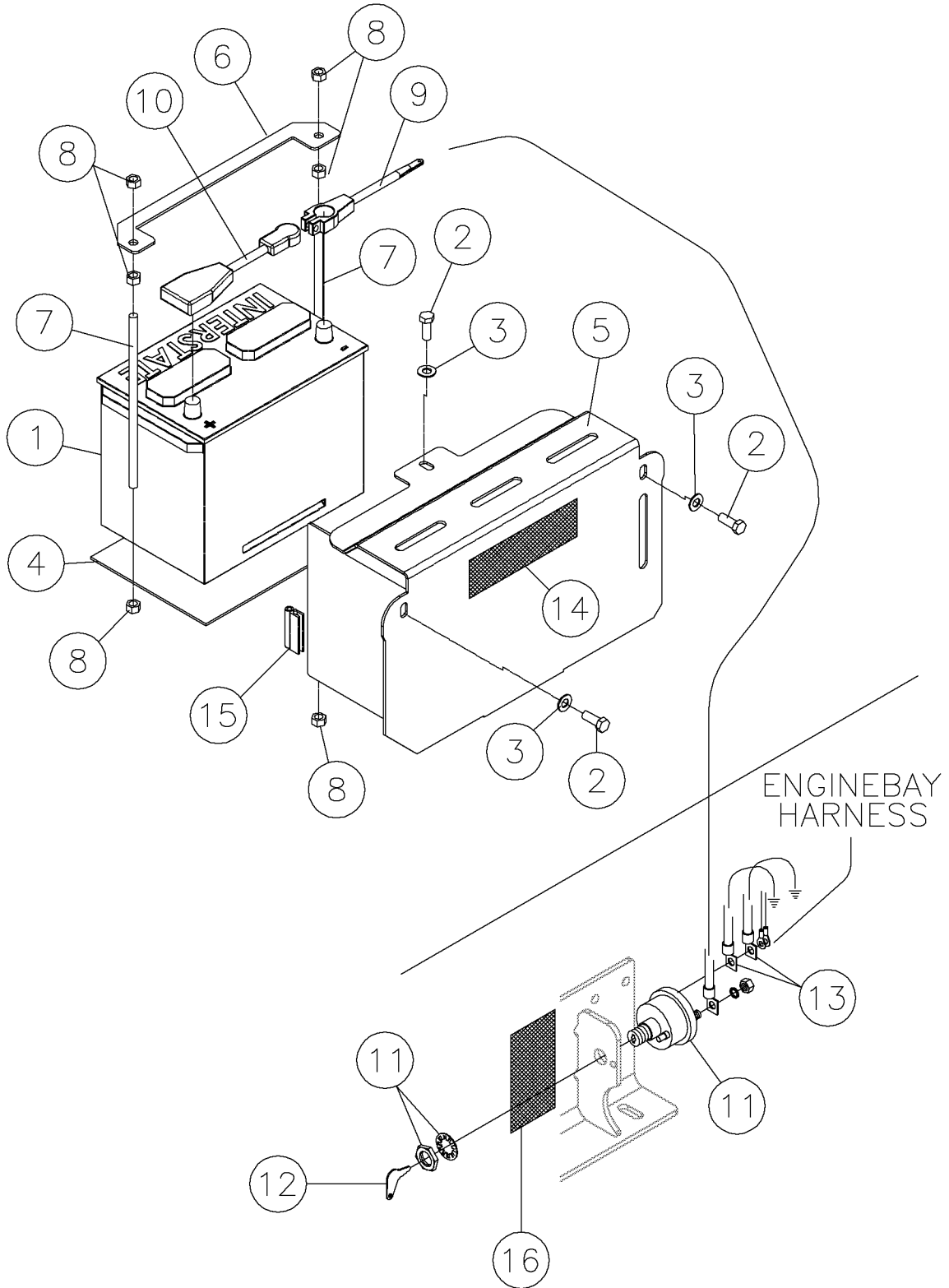
Control Box Electrical Fig 6-3



## Control Box Electrical Fig 6-3

REF. NO.	*	PART NO.	DESCRIPTION	QTY.	REMARKS
1		289709001	GAUGE - SPAN 5000 PSI WITH BACKLITE	2	
2		285634001	BREAKER - 50 AMP	1	
3		236390001	MODULE-CONTROL DSR/M556A	1	
4		281523001	ZAP ALERT - CURRENT SENSE	1	
5		296273500	FUSE/RELAY BLOCK	1	
6		296273497	FUSE - MINI 10 AMP	4	
		296273498	FUSE - MINI 15 AMP	3	
		296273499	FUSE - MINI 20 AMP	2	
7		296277636	RELAY-MICRO 280 SERIES	5	
8		79525001	SCREW-#10-24X1/2 FLHD MACHINE	4	
9		400001	NUT-3/16 NC HEX	4	
10		480001	WASHER-3/16 S/T LOCK	2	
11		485005	WASHER-5/16 FLAT	2	
12		406001	NUT-5/16 NC HEX	2	
13		296272304	ASM - B309 BASE UNIT	1	
14		250008001	BOLT 1/4-20 X 1 1/4 ZINC PL	2	
15		252251001	WASHER-1/4 SAE FLAT ZP	4	
16		235732001	NUT - HEX - .25 - 20 - GR8 - YZ	2	
17		53843681	HOSE-1/4X11 4FSJIC-4FSJIC 90	1	
18		236481001	HOSE-1/4X26 4FS JIC ST/90 3000	1	
19		296073001	HOSE-HYD-.25 X 17.5 4FSJ ST/90 3000PSI	1	
20		144722001	CABLE-THROTTLE JD4045T	1	
21		277616001	GAUGE - 2000 PSI SPAN JIC	1	
22		296273314	BRACKET - THROTTLE	1	
23		2786001	CLEVIS-A31125 30 SERIES	1	
24		1802004	BOLT-3/16"NF X 1/2" STOVE REF T16183	4	
25		154677001	OUTLET - 12 VOLT	1	

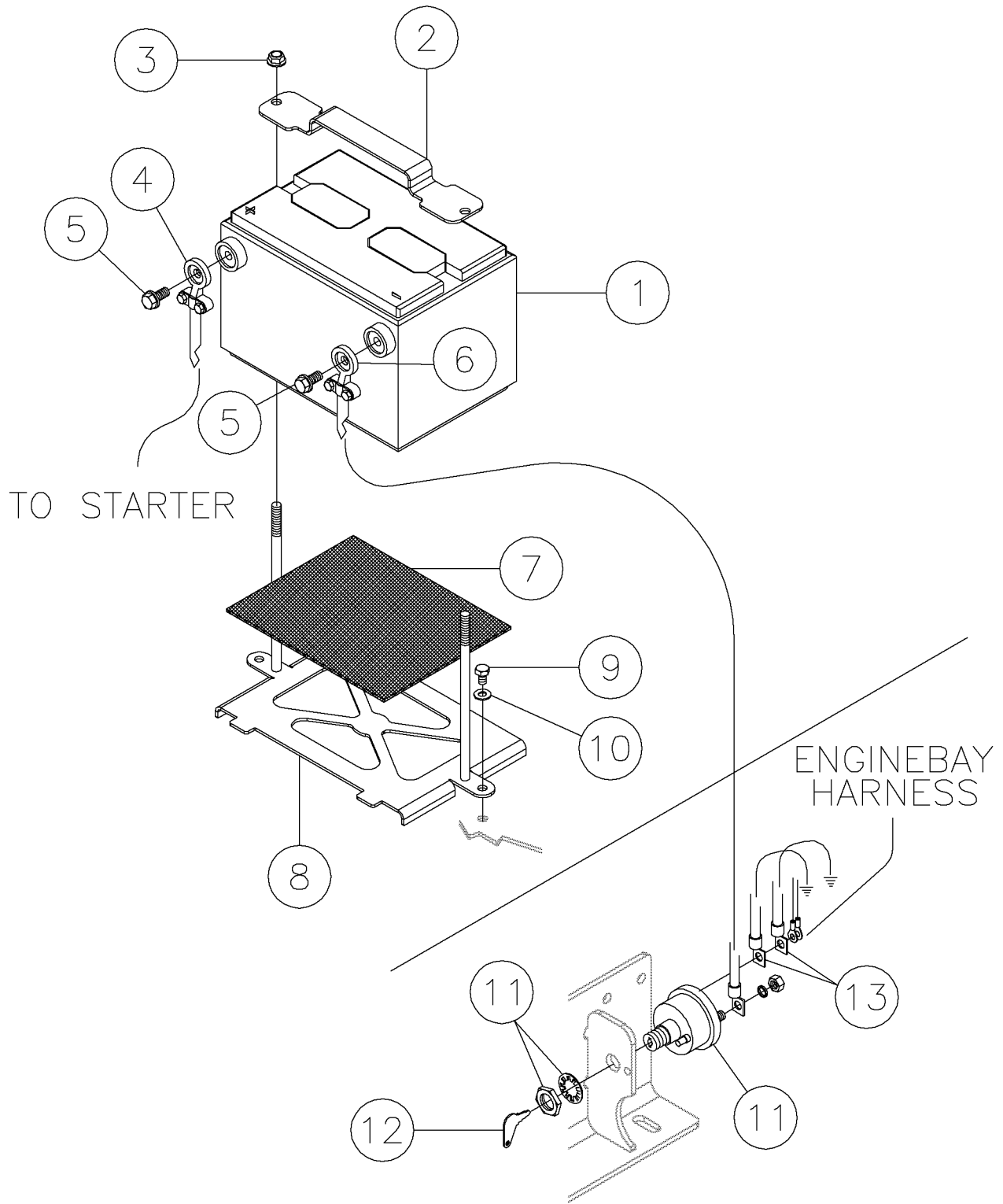
Battery (S/N 588-) Fig 6-4r04



## Battery (S/N 588-) Fig 6-4r04

REF. NO.	*	PART NO.	DESCRIPTION	QTY.	REMARKS
		Revision Date	November, 2006		New Battery Assembly
1		NSS	BATTERY-800CAA	1	
2		235727001	SCREW-HCS-.38-16X1.00-GR8-YZ	3	
3		510337635	WASHER-FLATSAE-.38-.41X.81-16G-YZ	3	
4		229373001	PAD-BATTERY	1	
5		296281242	BATTERY COVER	1	
6		296281245	PLATE-BATTERY HOLD DOWN	1	
7		296281246	ROD-3/8-16UNC-2BX9.25	2	
8		235725001	NUT - HEX - .38 - 16 - GR8 - YZ	6	
9		154188001	BATTERY CABLE - 75" NEG.	1	
10		148990001	BATTERY CABLE - 83" POS.	1	
11		904365001	DISCONNECT SWITCH	1	
12		87356003	SWITCH-1754 SPST W/ KEY	1	
13		219380001	STRAP-GROUND 4 GA.X12" E-E	2	
14		700IC288	DECAL - REAR CONTROL	1	
15		97456001	SEAL-BULB EDGE 1/8" STYLE	1	(11")
16	*	7000C446	DECAL - NO WELD	1	Domestic
	*	700IC446	DECAL - NO WELD	1	International
		NSS	NOT SOLD SEPARATELY		

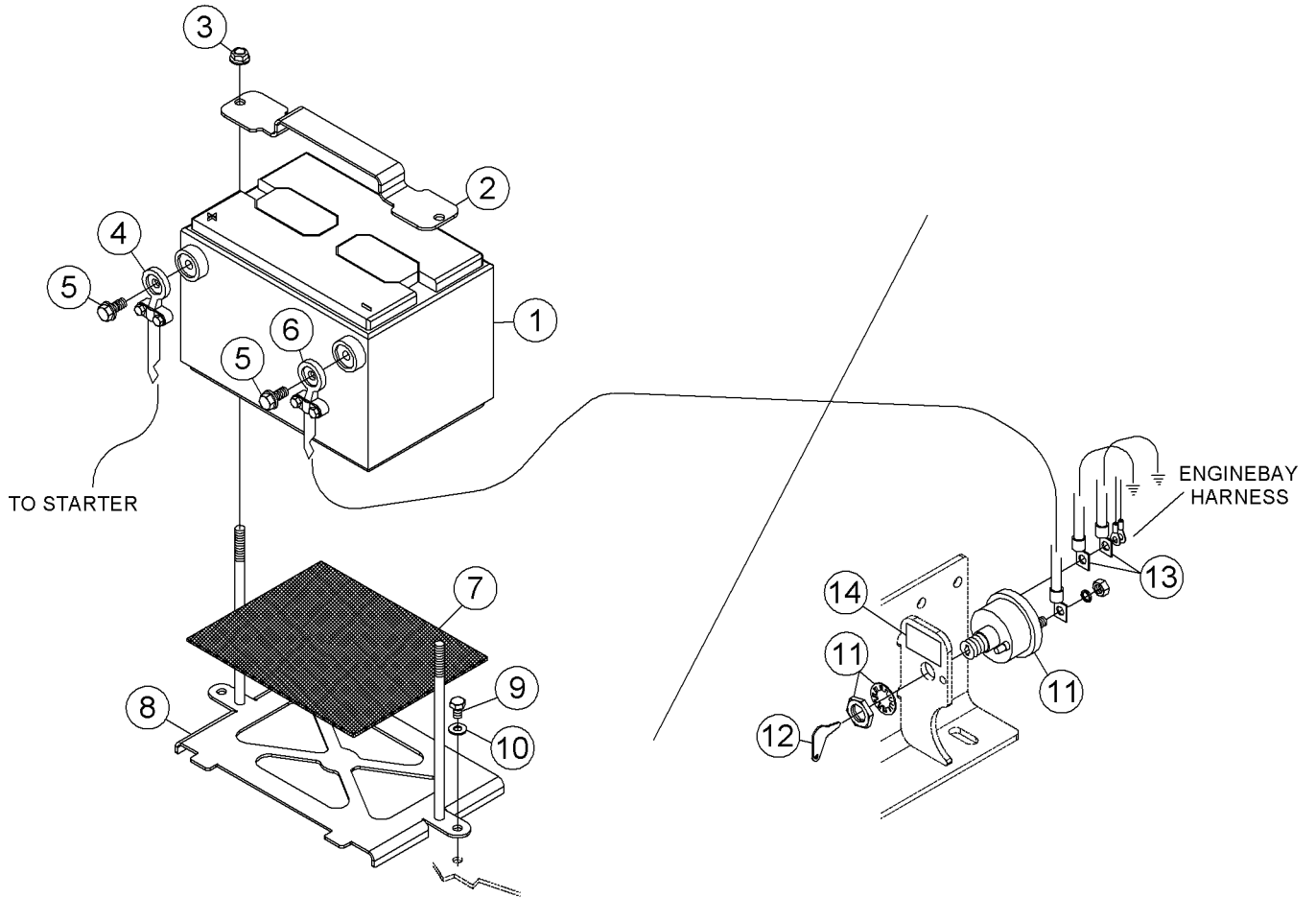
Battery Fig 6-4r03



## Battery Fig 6-4r03

REF. NO.	*	PART NO.	DESCRIPTION	QTY.	REMARKS
		Revision Date	March, 2006		Update In Illustration & Parts List.
1		NSS	BATTERY-800CCA	1	
2		296277522	PLATE - TOP SADDLE	1	
3		1809003	NUT-3/8 SM FLGE T.L.	2	
4		296280312	CABLE-BATT. 2 GA.X10" P-E	1	PN Change
5		4475004	BOLT-3/8-16X1/2" FLG. WHIZ	2	
6		296280410	CABLE-BATT.2GA.X63" N-E	1	PN Change
7		229373001	PAD-BATTERY	1	
8		296277517	BATTERY SADDLE	1	
9		235740001	BOLT-5/16-18X1/2 GR8 ZINC PLT	2	
10		235714001	WASHER - FLATSTRL - .31 - .34 X .69 - .06-YZ-A325	2	
11		904365001	DISCONNECT SWITCH	1	
12		87356003	SWITCH-1754 SPST W/ KEY	1	PN Change
13		219380001	STRAP-GROUND 4 GA.X12" E-E	2	
		NSS	NOT SOLD SEPARATELY		

Battery Fig 6-4r02

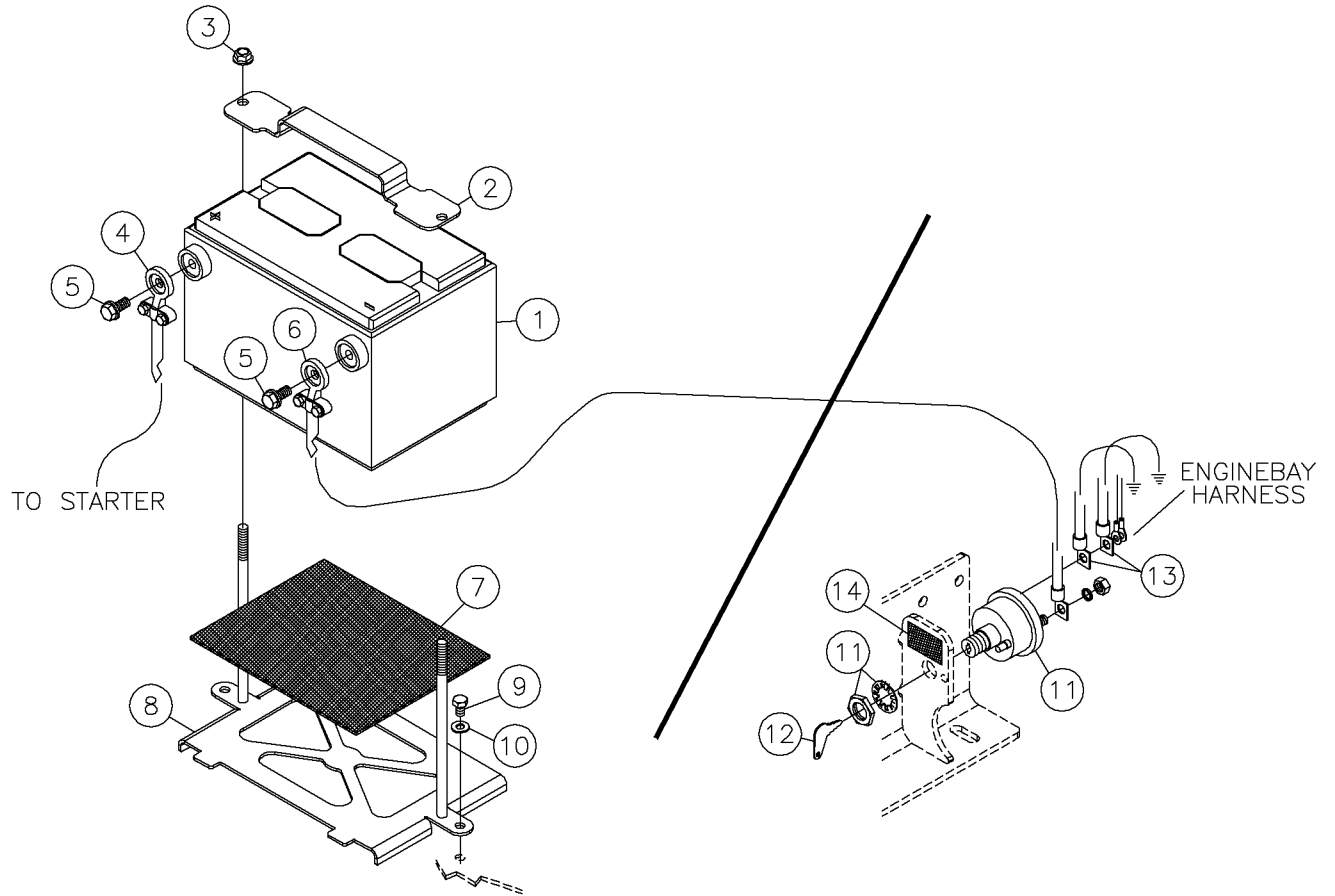




## Battery Fig 6-4r02

REF. NO.	*	PART NO.	DESCRIPTION	QTY.	REMARKS
		Revision Date	October, 2005		Update In Illus & Parts List
1		NSS	BATTERY-800CCA	1	
2		296277522	PLATE - TOP SADDLE	1	
3		1809003	NUT-3/8 SM FLGE T.L.	2	
4	*	296280312	CABLE-BATT. 2 GA.X10" P-E	1	PN Change
5		4475004	BOLT-3/8-16X1/2" FLG. WHIZ	2	
6	*	296280410	CABLE-BATT.2GA.X63" N-E	1	PN Change
7		229373001	PAD-BATTERY	1	
8		296277517	BATTERY SADDLE	1	
9		235740001	BOLT-5/16-18X1/2 GR8 ZINC PLT	2	
10		235714001	WASHER - FLATSTRL - .31 - .34 X .69 - .06-YZ-A325	2	
11		904365001	DISCONNECT SWITCH	1	
12	*	87356003	SWITCH-1754 SPST W/ KEY	1	PN Change
13		219380001	STRAP-GROUND 4 GA.X12" E-E	2	
14		700IA477	DECAL_BATTERY SWITCH (UG)	1	
			NSS- NOT SOLD SEPARATELY		

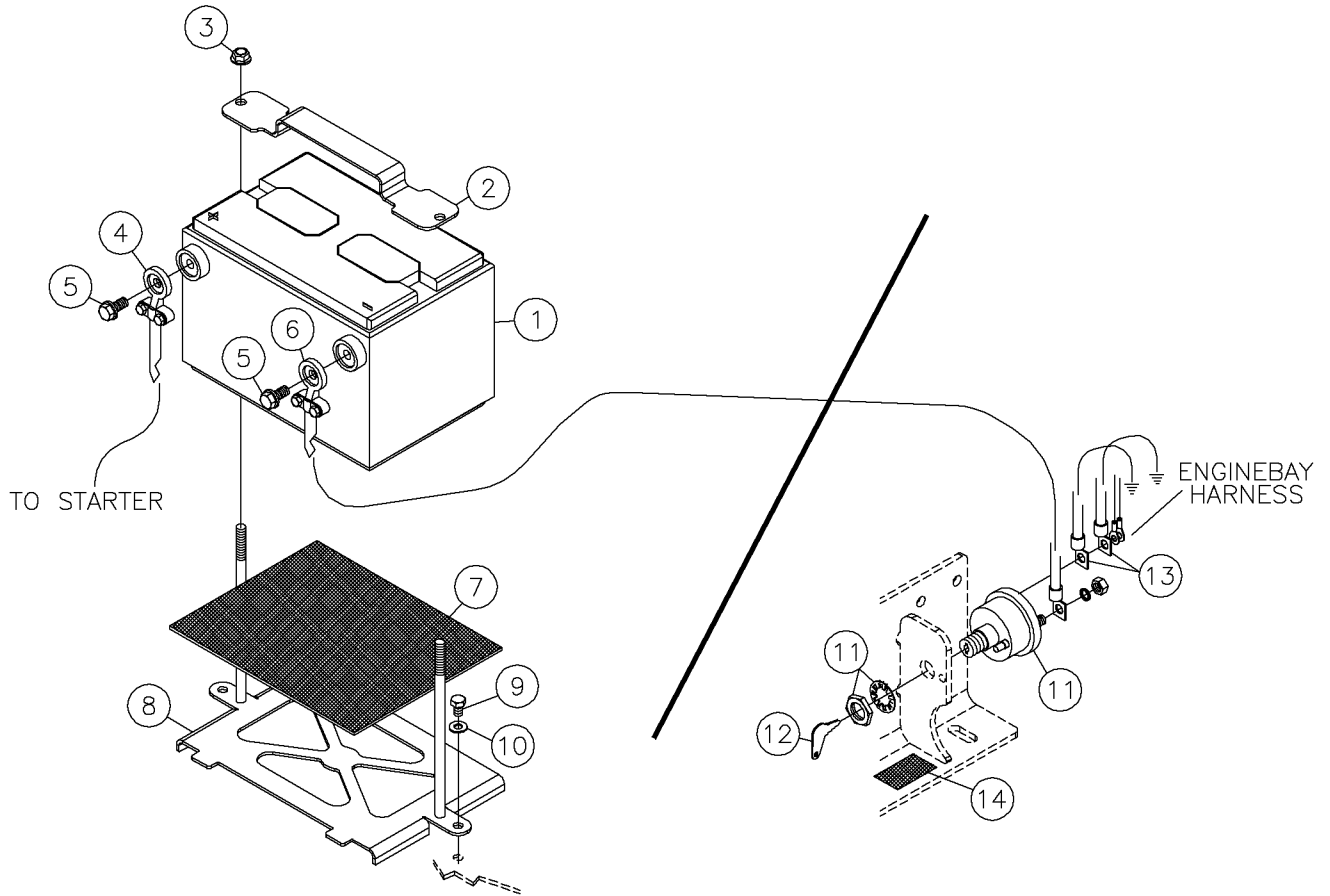
Battery Fig 6-4r01



## Battery Fig 6-4r01

REF. NO.	*	PART NO.	DESCRIPTION	QTY.	REMARKS
		Revision Date	March, 2005		Update In Illustration & Parts List.
1		NSS	BATTERY-800CCA	1	
2		296277522	PLATE - TOP SADDLE	1	
3		1809003	NUT-3/8 SM FLGE T.L.	2	
4		235559001	CABLE-BATT. 2 GA.X75" P-E	1	
5		4475004	BOLT-3/8-16X1/2" FLG. WHIZ	2	
6		235558001	CABLE-BATT.2GA.X75" N-E	1	
7		229373001	PAD-BATTERY	1	
8		296277517	BATTERY SADDLE	1	
9		235740001	BOLT-5/16-18X1/2 GR8 ZINC PLT	2	
10		235714001	WASHER - FLATSTRL - .31 - .34 X .69 - .06-YZ-A325	2	
11		904365001	DISCONNECT SWITCH	1	
12		87356001	SWITCH-1754 SPST W/ KEY	1	
13		219380001	STRAP-GROUND 4 GA.X12" E-E	2	
14		700IA477	DECAL_BATTERY SWITCH (UG)	1	
			NSS- NOT SOLD SEPARATELY		

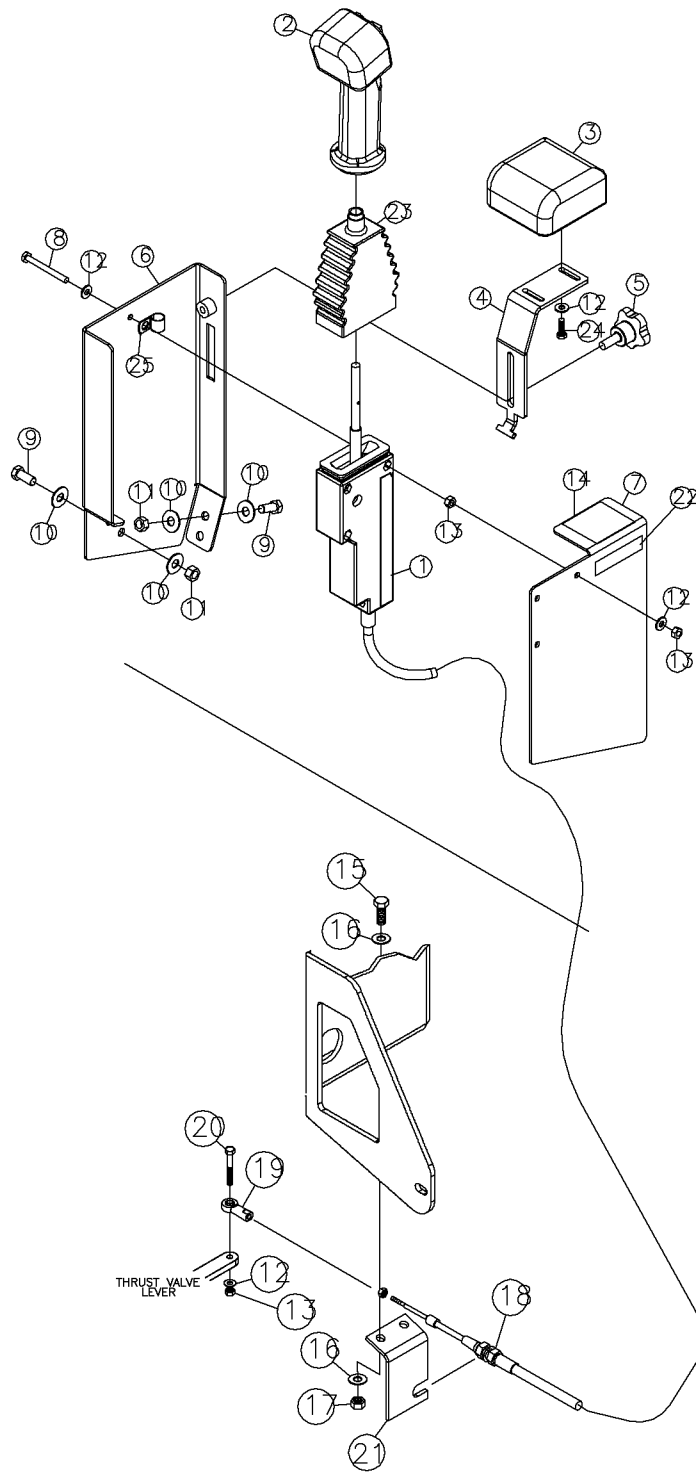
Battery Fig 6-4



## Battery Fig 6-4

REF. NO.	*	PART NO.	DESCRIPTION	QTY.	REMARKS
1		NSS	BATTERY-800CCA	1	
2		296277522	PLATE - TOP SADDLE	1	
3		1809003	NUT-3/8 SM FLGE T.L.	2	
4		235559001	CABLE-BATT. 2 GA.X75" P-E	1	
5		4475004	BOLT-3/8-16X1/2" FLG. WHIZ	2	
6		235558001	CABLE-BATT.2GA.X75" N-E	1	
7		244006001	PAD-BATTERY	1	
8		296277517	BATTERY SADDLE	1	
9		235740001	BOLT-5/16-18X1/2 GR8 ZINC PLT	2	
10		235714001	WASHER - FLATSTRL - .31 - .34 X .69 - .06-YZ-A325	2	
11		904365001	DISCONNECT SWITCH	1	
12		87356001	SWITCH-1754 SPST W/ KEY	1	
13		219380001	STRAP-GROUND 4 GA.X12" E-E	2	
14		700IA477	DECAL_BATTERY SWITCH (UG)	1	
			NSS- NOT SOLD SEPARATELY		

Right Control (S/N 680-) Fig 6-5r04



## Right Control (S/N 680-) Fig 6-5r04

REF. NO.	*	PART NO.	DESCRIPTION	QTY.	REMARKS
		Revision Date	March, 2007		Change Controller
1	*	296275198	CONTROL - CABLE C85085-24	1	(S/N 680-)
2		296293811	HANDLE GRIP ASSEMBLY - JOYSTICK	1	(S/N 627-) Breakdown Fig 12-15
3		296276722	PAD - ARM REST	1	
4		296277648	PLATE - ARMREST	1	
5		296276742	KNOB - ADJUSTMENT	1	
6		296277644	CONTROL PANEL LEVER WELDMENT	1	
7		296277647	PLATE - RH PANEL SIDE COVER	1	
8		250644001	BOLT-1/4-20 X2 1/4 GR 8 Y/ZINC	3	
9		246426001	BOLT-3/8-16X7/8 GR8 HEX ZNC PL	4	
10		489009	WASHER-13/16ODX13/32IDX16GASAE	8	
11		235725001	NUT - HEX - .38 - 16 - GR8 - YZ	4	
12		235716001	WASHER - FLATSTRL - .25 -.28 X .63 - .06 - CZ	9	
13		235732001	NUT - HEX - .25 - 20 - GR8 - YZ	6	
14		700IC443	DECAL - JOYSTICK	1	(S/N 179-)
15		235736001	BOLT-3/8-16X1 1/4 ZINC PLTD	2	
16		235713001	WASHER - FLATSTRL - .38 - .41 X .81 - .06-YA-A325	4	
17		235725001	NUT - HEX - .38 - 16 - GR8 - YZ	2	
18		296277659	CONTROL CABLE	1	
19		220740001	BALL JOINT-1/4-28 FEMALE THDS.	1	
20		235735001	BOLT-1/4-20X1 GR8 HEX ZNC PLTD	1	
21		296271414	PLATE CABLE MOUNT	1	
22		700IB967	DECAL - RIGHT JOYSTICK - THRUST	1	
23		296280420	BOOT TOP	1	
24		235734001	BOLT-1/4-20X3/4 GR8 ZINC PLTD	2	
25		279015001	HOSE CLAMP - 9/16 W/13/32 HOLE	1	

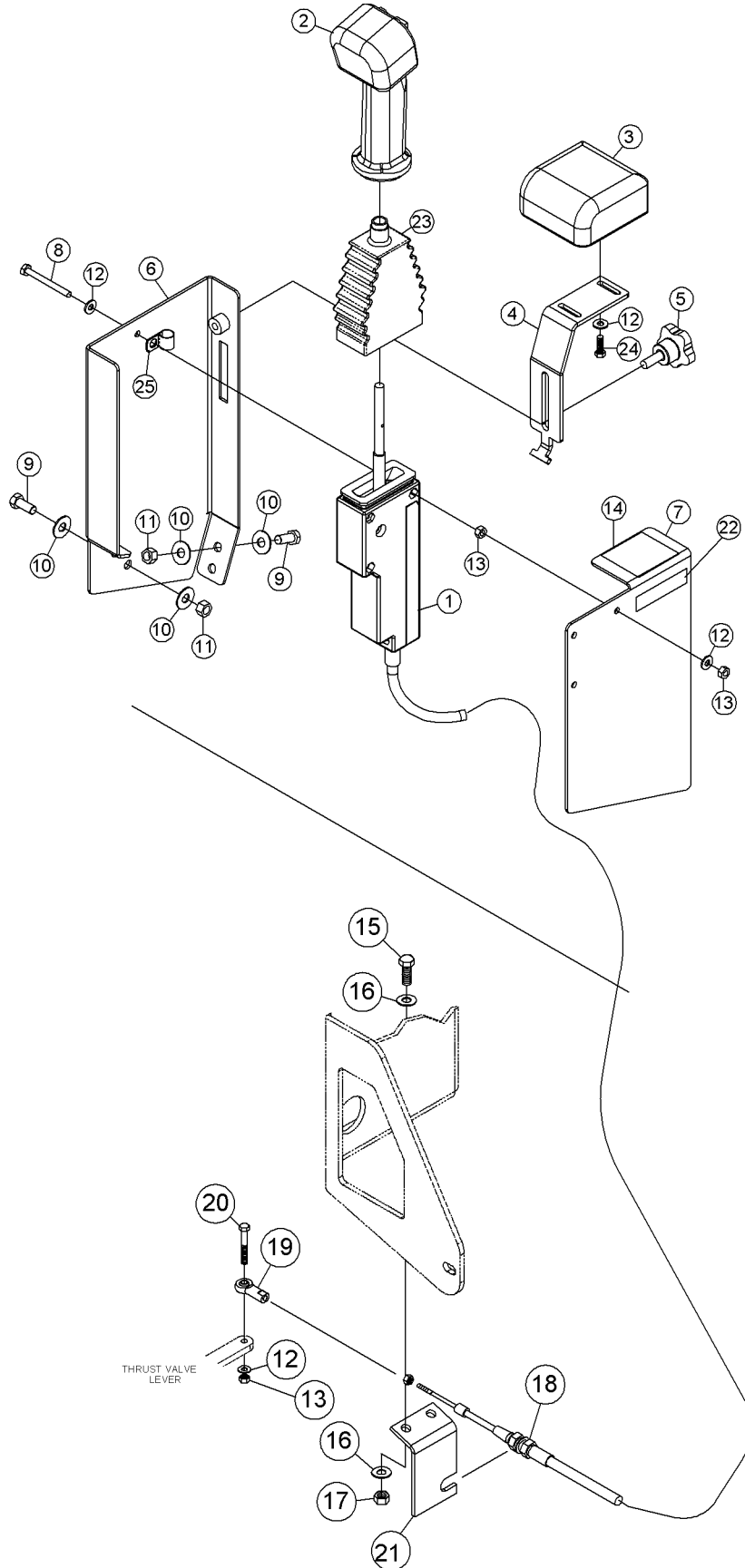




## Right Control (S/N 627-679) Fig 6-5r03

REF. NO.	*	PART NO.	DESCRIPTION	QTY.	REMARKS
		Revision Date	December, 2006		Changed Joystick Part Number
1		296274336	CONTROL - CABLE C85	1	
2	*	296293811	HANDLE GRIP ASSEMBLY - JOYSTICK	1	(S/N 627-) Breakdown Fig 12-15
3		296276722	PAD - ARM REST	1	
4		296277648	PLATE - ARMREST	1	
5		296276742	KNOB - ADJUSTMENT	1	
6		296277644	CONTROL PANEL LEVER WELDMENT	1	
7		296277647	PLATE - RH PANEL SIDE COVER	1	
8		250644001	BOLT-1/4-20 X2 1/4 GR 8 Y/ZINC	3	
9		246426001	BOLT-3/8-16X7/8 GR8 HEX ZNC PL	4	
10		489009	WASHER-13/16ODX13/32IDX16GASAE	8	
11		235725001	NUT - HEX - .38 - 16 - GR8 - YZ	4	
12		235716001	WASHER - FLATSTRL - .25 -.28 X .63 - .06 - CZ	9	
13		235732001	NUT - HEX - .25 - 20 - GR8 - YZ	6	
14		700IC443	DECAL - JOYSTICK	1	S/N 179 & Up
15		235736001	BOLT-3/8-16X1 1/4 ZINC PLTD	2	
16		235713001	WASHER - FLATSTRL - .38 - .41 X .81 - .06-YA-A325	4	
17		235725001	NUT - HEX - .38 - 16 - GR8 - YZ	2	
18		296277659	CONTROL CABLE	1	
19		220740001	BALL JOINT-1/4-28 FEMALE THDS.	1	
20		235735001	BOLT-1/4-20X1 GR8 HEX ZNC PLTD	1	
21		296271414	PLATE CABLE MOUNT	1	
22		700IB967	DECAL - RIGHT JOYSTICK - THRUST	1	
23		296280420	BOOT TOP	1	
24		235734001	BOLT-1/4-20X3/4 GR8 ZINC PLTD	2	
25		279015001	HOSE CLAMP - 9/16 W/13/32 HOLE	1	

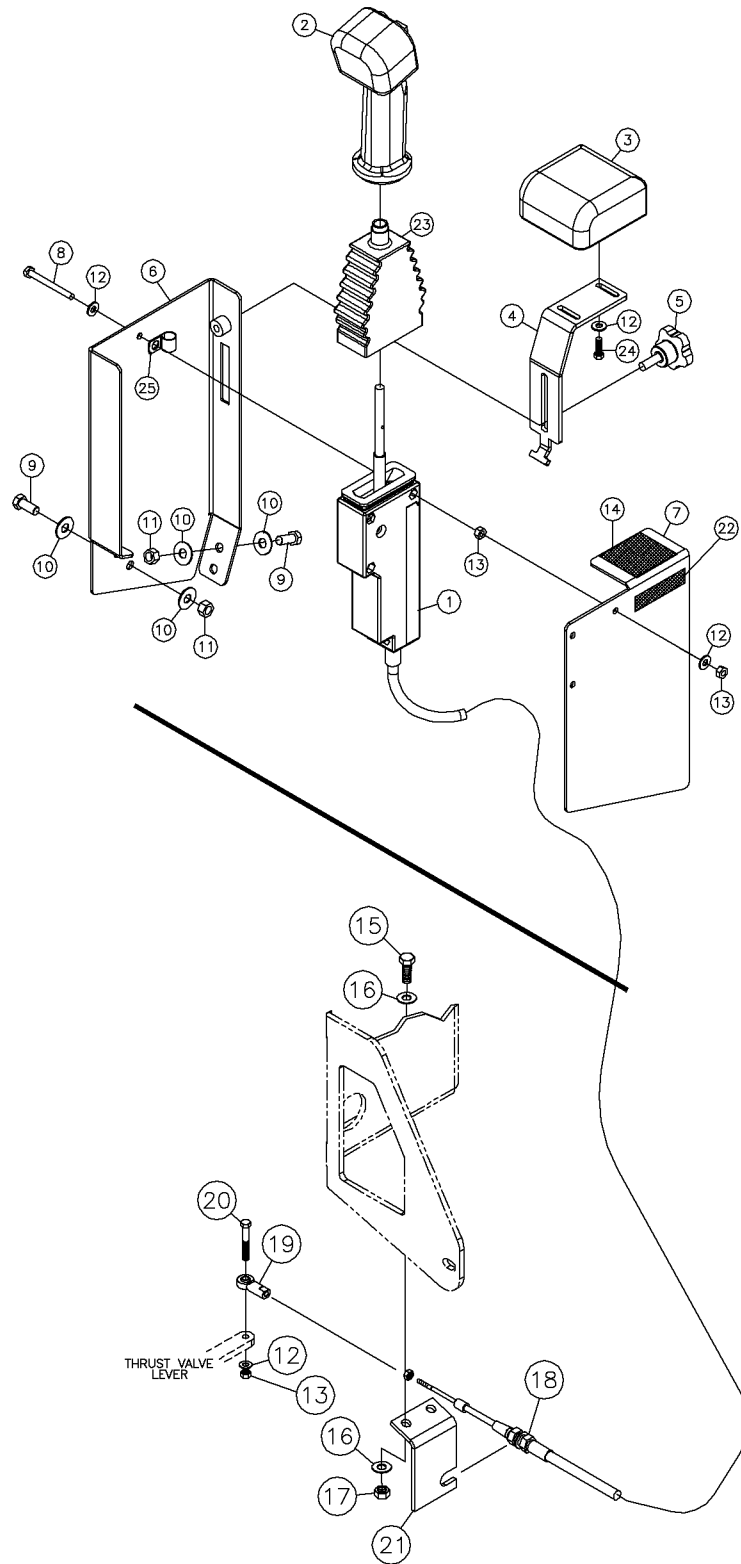
Right Control Fig 6-5r02



## Right Control Fig 6-5r02

REF. NO.	*	PART NO.	DESCRIPTION	QTY.	REMARKS
		Revision Date	October, 2005		Update In Illus. & Parts List.
1		296274336	CONTROL - CABLE C85	1	
2		296273907	HANDLE GRIP ASSEMBLY - LEFT JOYSTICK	1	S/N 179 & Up Breakdown Fig 12-15
3		296276722	PAD - ARM REST	1	
4		296277648	PLATE - ARMREST	1	
5		296276742	KNOB - ADJUSTMENT	1	
6		296277644	CONTROL PANEL LEVER WELDMENT	1	
7		296277647	PLATE - RH PANEL SIDE COVER	1	
8		250644001	BOLT-1/4-20 X2 1/4 GR 8 Y/ZINC	3	
9		246426001	BOLT-3/8-16X7/8 GR8 HEX ZNC PL	4	
10		489009	WASHER-13/16ODX13/32IDX16GASAE	8	
11		235725001	NUT - HEX - .38 - 16 - GR8 - YZ	4	
12		235716001	WASHER - FLATSTRL - .25 -.28 X .63 - .06 - CZ	9	
13		235732001	NUT - HEX - .25 - 20 - GR8 - YZ	6	
14		700IC443	DECAL - JOYSTICK	1	S/N 179 & Up
15		235736001	BOLT-3/8-16X1 1/4 ZINC PLTD	2	
16		235713001	WASHER - FLATSTRL - .38 - .41 X .81 - .06-YA-A325	4	
17		235725001	NUT - HEX - .38 - 16 - GR8 - YZ	2	
18		296277659	CONTROL CABLE	1	
19		220740001	BALL JOINT-1/4-28 FEMALE THDS.	1	
20		235735001	BOLT-1/4-20X1 GR8 HEX ZNC PLTD	1	
21		296271414	PLATE CABLE MOUNT	1	
22		700IB967	DECAL - RIGHT JOYSTICK - THRUST	1	
23	*	296280420	BOOT TOP	1	PN Change
24		235734001	BOLT-1/4-20X3/4 GR8 ZINC PLTD	2	
25		279015001	HOSE CLAMP - 9/16 W/13/32 HOLE	1	

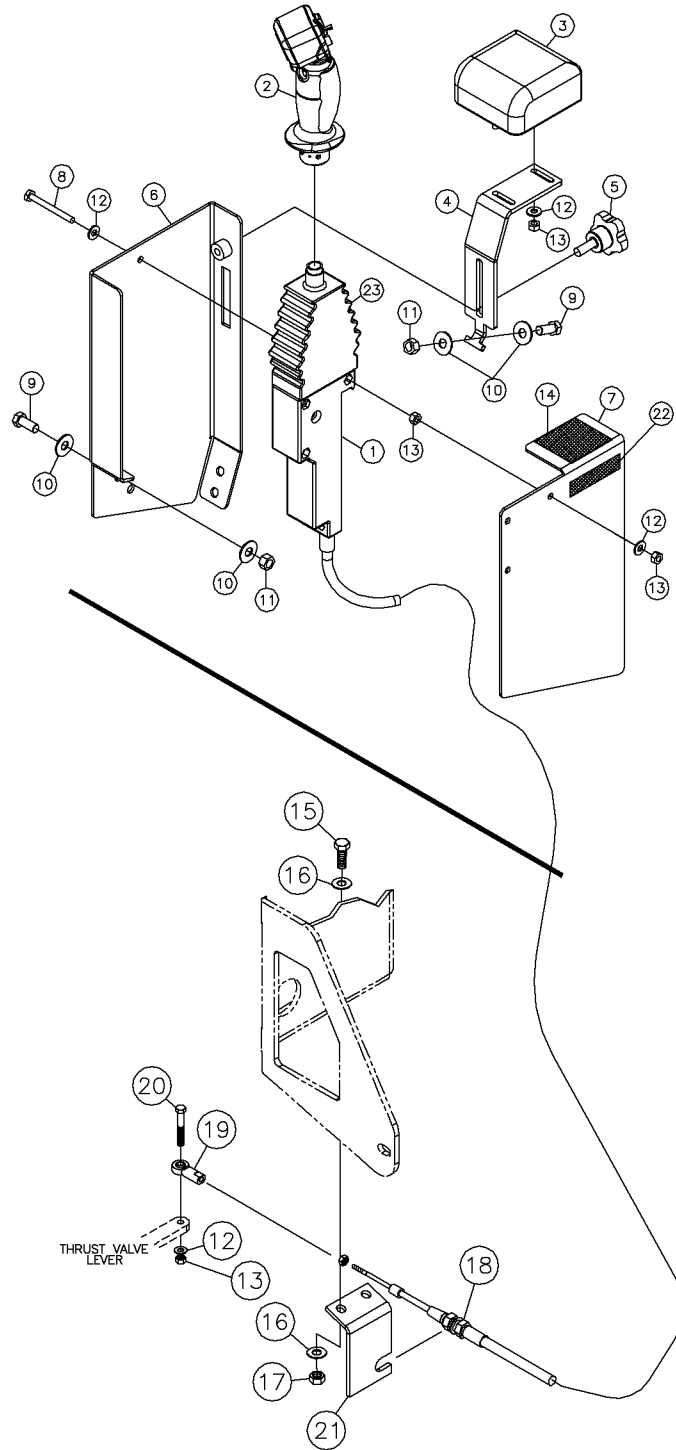
Right Control Fig 6-5r01



## Right Control Fig 6-5r01

REF. NO.	*	PART NO.	DESCRIPTION	QTY.	REMARKS
		Revision Date	March, 2005		Update In Illustration & Parts List.
1		296274336	CONTROL - CABLE C85	1	
2		296273907	HANDLE GRIP ASSEMBLY - LEFT JOYSTICK	1	S/N 179 & Up Breakdown Fig 12-15
3		296276722	PAD - ARM REST	1	
4		296277648	PLATE - ARMREST	1	
5		296276742	KNOB - ADJUSTMENT	1	
6		296277644	CONTROL PANEL LEVER WELDMENT	1	
7		296277647	PLATE - RH PANEL SIDE COVER	1	
8		250644001	BOLT-1/4-20 X2 1/4 GR 8 Y/ZINC	3	
9		246426001	BOLT-3/8-16X7/8 GR8 HEX ZNC PL	4	
10		489009	WASHER-13/16ODX13/32IDX16GASAE	8	
11		235725001	NUT - HEX - .38 - 16 - GR8 - YZ	4	
12		235716001	WASHER - FLATSTRL - .25 -.28 X .63 - .06 - CZ	9	
13		235732001	NUT - HEX - .25 - 20 - GR8 - YZ	6	
14		700IC443	DECAL - JOYSTICK	1	S/N 179 & Up
15		235736001	BOLT-3/8-16X1 1/4 ZINC PLTD	2	
16		235713001	WASHER - FLATSTRL - .38 - .41 X .81 - .06-YA-A325	4	
17		235725001	NUT - HEX - .38 - 16 - GR8 - YZ	2	
18		296277659	CONTROL CABLE	1	
19		220740001	BALL JOINT-1/4-28 FEMALE THDS.	1	
20		235735001	BOLT-1/4-20X1 GR8 HEX ZNC PLTD	1	
21		296271414	PLATE CABLE MOUNT	1	
22		700IB967	DECAL - RIGHT JOYSTICK - THRUST	1	
23		296271120	BOOT TOP	1	
24		235734001	BOLT-1/4-20X3/4 GR8 ZINC PLTD	2	
25		279015001	HOSE CLAMP - 9/16 W/13/32 HOLE	1	

Right Control Fig 6-5



## Right Control Fig 6-5

REF. NO.	*	PART NO.	DESCRIPTION	QTY.	REMARKS
1		296277661	CONTROLLER - CABLE C8521-QUADRASTAT	1	
2		277746001	JOYSTICK GRIP - LEFT HAND (ROTATION)	1	Breakdown Fig 12-15
3		296276722	PAD - ARM REST	1	
4		296277648	PLATE - ARMREST	1	
5		296276742	KNOB - ADJUSTMENT	1	
6		296277644	CONTROL PANEL LEVER WELDMENT	1	
7		296277647	PLATE - RH PANEL SIDE COVER	1	
8		250644001	BOLT-1/4-20 X2 1/4 GR 8 Y/ZINC	3	
9		246426001	BOLT-3/8-16X7/8 GR8 HEX ZNC PL	4	
10		489009	WASHER-13/16ODX13/32IDX16GASAE	8	
11		235725001	NUT - HEX - .38 - 16 - GR8 - YZ	4	
12		252251001	WASHER-1/4 SAE FLAT ZP	9	
13		235732001	NUT - HEX - .25 - 20 - GR8 - YZ	6	
14		700IC290	DECAL - JOYSTICK	1	
15		235736001	BOLT-3/8-16X1 1/4 ZINC PLTD	2	
16		510337635	WASHER-FLATSAE-.38-.41X.81-16G-YZ	2	
17		235725001	NUT - HEX - .38 - 16 - GR8 - YZ	2	
18		296277659	CONTROL CABLE	1	
19		220740001	BALL JOINT-1/4-28 FEMALE THDS.	1	
20		235735001	BOLT-1/4-20X1 GR8 HEX ZNC PLTD	1	
21		296271414	PLATE CABLE MOUNT	1	
22		700IB967	DECAL - RIGHT JOYSTICK - THRUST	1	
23		296271120	BOOT-TOP	1	

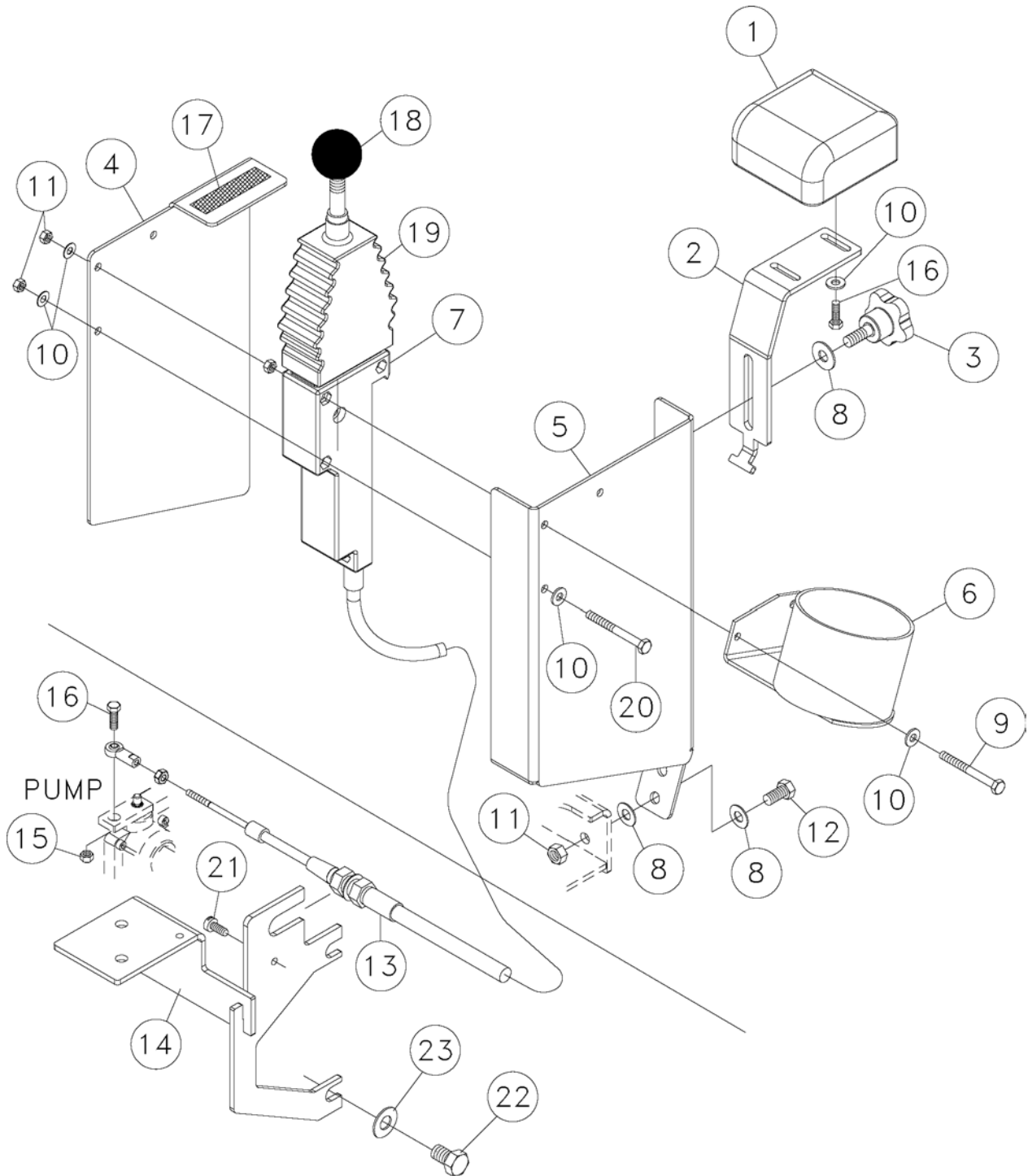




## Left Control (S/N 679-) Fig 6-6r03

REF. NO.	*	PART NO.	DESCRIPTION	QTY.	REMARKS
		Revision Date	August, 2007		Update In Illus. & Parts List
1		296276722	PAD - ARM REST	1	
2		296277648	PLATE - ARMREST	1	
3		296276742	KNOB - ADJUSTMENT	1	
4		296277652	PLATE - LH PANEL SIDE COVER	1	
5		296277651	LH CONTROL PANEL LEVER WELDMENT	1	
6		296277669	CUP HOLDER	1	
7		296275197	CONTROLLER CABLE C85085-23 QUADRASTAT	1	(S/N 679-)
8		489009	WASHER-13/16ODX13/32IDX16GASAE	3	
9		244102001	BOLT-14-200X2 1/2 GR8 ZNC	2	
10		235716001	WASHER - FLATSTRL - .25 -.28 X .63 - .06 - CZ	8	
11		235725001	NUT - HEX - .38 - 16 - GR8 - YZ	5	
12		246426001	BOLT-3/8-16X7/8 GR8 HEX ZNC PL	2	
13		296277659	CONTROL CABLE	1	
14		296277712	CABLE & CHARGE FILTER MOUNT	1	
15		103201001	NUT-1/4-20NC NYLON INSERT LOCK	1	
16		235734001	BOLT-1/4-20X3/4 GR8 ZINC PLTD	3	
17		700IB968	DECAL - LEFT JOYSTICK - ROTATION	1	
18		296271119	KNOB-BLACK	1	
19		296280420	BOOT-TOP	1	
20		250644001	BOLT-1/4-20 X2 1/4 GR 8 Y/ZINC	1	
21		235728001	BOLT-1/2-13X3/4 GR8 ZINC PLTD	2	
22		485025	WASHER-1/2 FLAT-HARDENED-YZ	2	

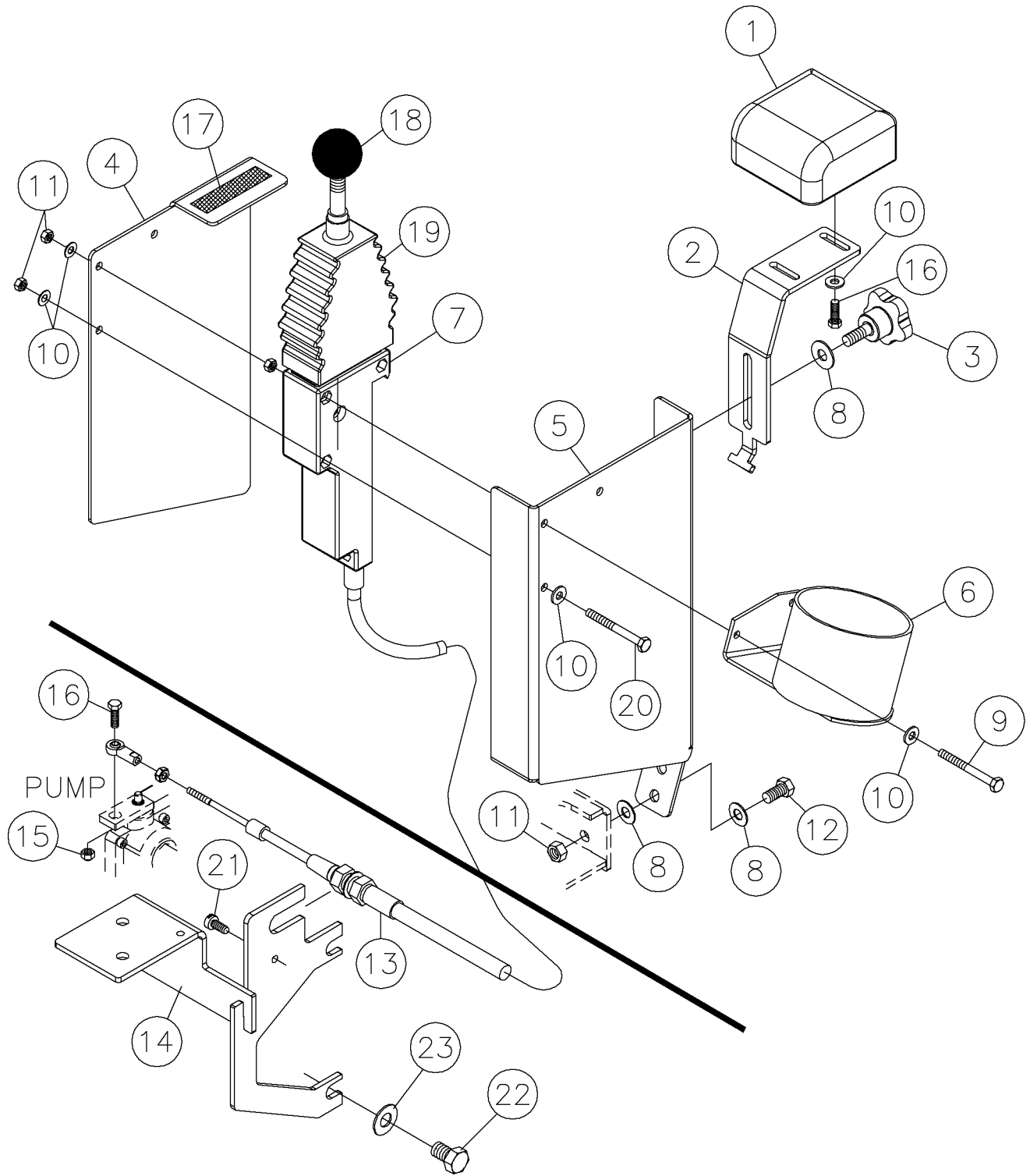
Left Control Fig 6-6r02



## Left Control Fig 6-6r02

REF. NO.	*	PART NO.	DESCRIPTION	QTY.	REMARKS
		Revision Date	October, 2005		Update In Illus. & Parts List
1		296276722	PAD - ARM REST	1	
2		296277648	PLATE - ARMREST	1	
3		296276742	KNOB - ADJUSTMENT	1	
4		296277652	PLATE - LH PANEL SIDE COVER	1	
5		296277651	LH CONTROL PANEL LEVER WELDMENT	1	
6		296277669	CUP HOLDER	1	
7		296277665	CONTROLLER CABLE C8521- QUADRASTAT	1	
8		489009	WASHER-13/16ODX13/32IDX16GASAE	3	
9		244102001	BOLT-14-200X2 1/2 GR8 ZNC	2	
10		235716001	WASHER - FLATSTRL - .25 -.28 X .63 - .06 - CZ	8	
11		235725001	NUT - HEX - .38 - 16 - GR8 - YZ	5	
12		246426001	BOLT-3/8-16X7/8 GR8 HEX ZNC PL	2	
13		296277659	CONTROL CABLE	1	
14		296277712	CABLE & CHARGE FILTER MOUNT	1	
15		103201001	NUT-1/4-20NC NYLON INSERT LOCK	1	
16		235734001	BOLT-1/4-20X3/4 GR8 ZINC PLTD	3	
17		700IB968	DECAL - LEFT JOYSTICK - ROTATION	1	
18		296271119	KNOB-BLACK	1	
19	*	296280420	BOOT-TOP	1	PN Change
20		250644001	BOLT-1/4-20 X2 1/4 GR 8 Y/ZINC	1	
21		278953001	ANCHOR - CABLE TIE	2	
22		235728001	BOLT-1/2-13X3/4 GR8 ZINC PLTD	2	
23		485025	WASHER-1/2 FLAT-HARDENED-YZ	2	

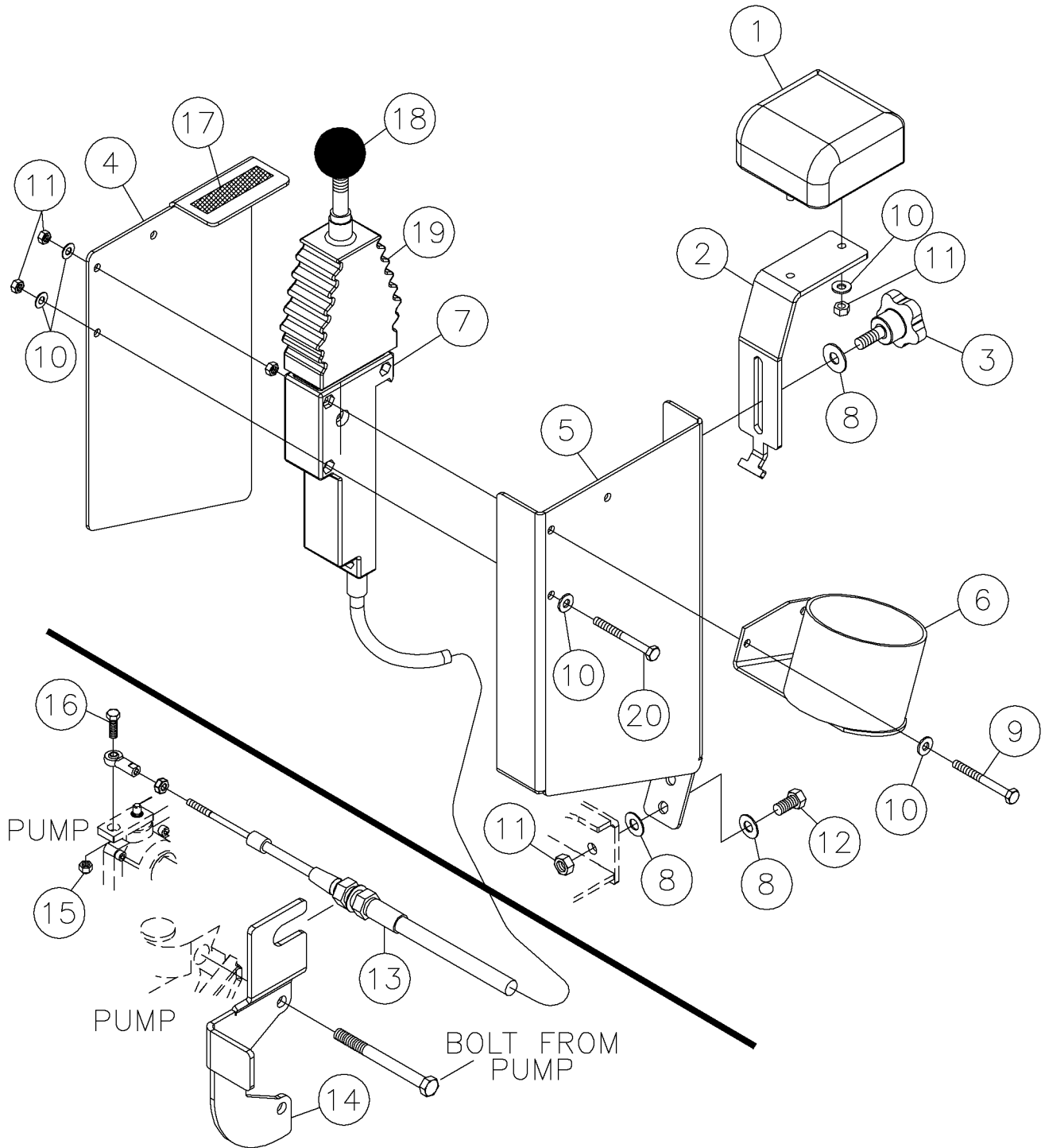
Left Control Fig 6-6r01



## Left Control Fig 6-6r01

REF. NO.	*	PART NO.	DESCRIPTION	QTY.	REMARKS
		Revision Date	March, 2005		Update In Illustration & Parts List.
1		296276722	PAD - ARM REST	1	
2		296277648	PLATE - ARMREST	1	
3		296276742	KNOB - ADJUSTMENT	1	
4		296277652	PLATE - LH PANEL SIDE COVER	1	
5		296277651	LH CONTROL PANEL LEVER WELDMENT	1	
6		296277669	CUP HOLDER	1	
7		296277665	CONTROLLER CABLE C8521- QUADRASTAT	1	
8		489009	WASHER-13/16ODX13/32IDX16GASAE	3	
9		244102001	BOLT-14-200X2 1/2 GR8 ZNC	2	
10		235716001	WASHER - FLATSTRL - .25 -.28 X .63 - .06 - CZ	8	
11		235725001	NUT - HEX - .38 - 16 - GR8 - YZ	5	
12		246426001	BOLT-3/8-16X7/8 GR8 HEX ZNC PL	2	
13		296277659	CONTROL CABLE	1	
14		296277712	CABLE & CHARGE FILTER MOUNT	1	
15		103201001	NUT-1/4-20NC NYLON INSERT LOCK	1	
16		235734001	BOLT-1/4-20X3/4 GR8 ZINC PLTD	3	
17		700IB968	DECAL - LEFT JOYSTICK - ROTATION	1	
18		296271119	KNOB-BLACK	1	
19		296271120	BOOT-TOP	1	
20		250644001	BOLT-1/4-20 X2 1/4 GR 8 Y/ZINC	1	
21		278953001	ANCHOR - CABLE TIE	2	
22		235728001	BOLT-1/2-13X3/4 GR8 ZINC PLTD	2	
23		485025	WASHER-1/2 FLAT-HARDENED-YZ	2	

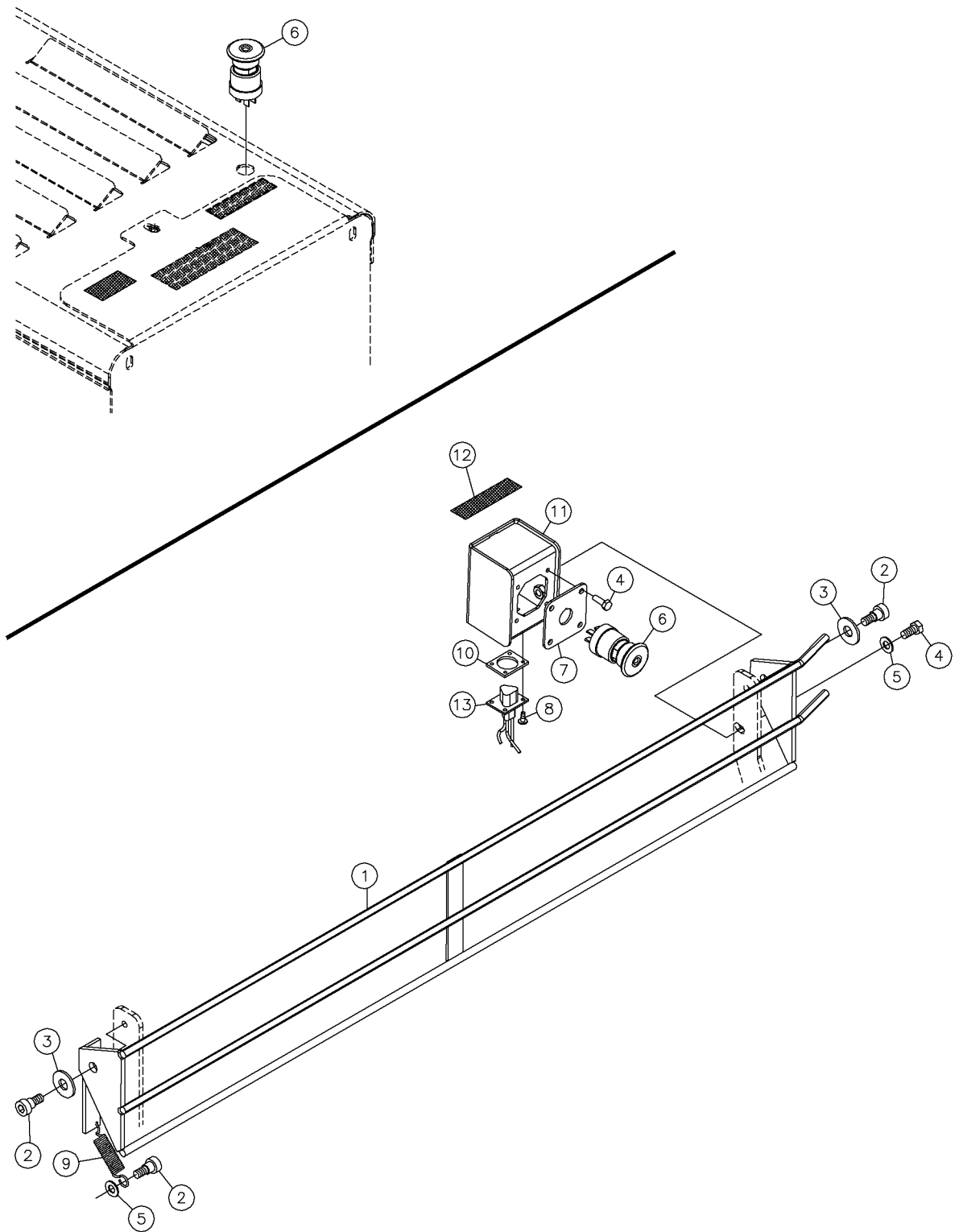
Left Control Fig 6-6



## Left Control Fig 6-6

REF. NO.	*	PART NO.	DESCRIPTION	QTY.	REMARKS
1		296276722	PAD - ARM REST	1	
2		296277648	PLATE - ARMREST	1	
3		296276742	KNOB - ADJUSTMENT	1	
4		296277652	PLATE - LH PANEL SIDE COVER	1	
5		296277651	LH CONTROL PANEL LEVER WELDMENT	1	
6		296277669	CUP HOLDER	1	
7		296277665	CONTROLLER CABLE C8521- QUADRASTAT	1	
8		489009	WASHER-13/16ODX13/32IDX16GASAE	3	
9		244102001	BOLT-14-200X2 1/2 GR8 ZNC	2	
10		252251001	WASHER-1/4 SAE FLAT ZP	8	
11		235725001	NUT - HEX - .38 - 16 - GR8 - YZ	7	
12		246426001	BOLT-3/8-16X7/8 GR8 HEX ZNC PL	2	
13		296277659	CONTROL CABLE	1	
14		296273424	PUMP - PLATE CABLE	1	
15		103201001	NUT-1/4-20NC NYLON INSERT LOCK	1	
16		235734001	BOLT-1/4-20X3/4 GR8 ZINC PLTD	1	
17		700IB968	DECAL - LEFT JOYSTICK - ROTATION	1	
18		296271119	KNOB-BLACK	1	
19		296271120	BOOT-TOP	1	
20		250644001	BOLT-1/4-20 X2 1/4 GR 8 Y/ZINC	1	

Safety Bar-E-Stop Fig 6-7r01

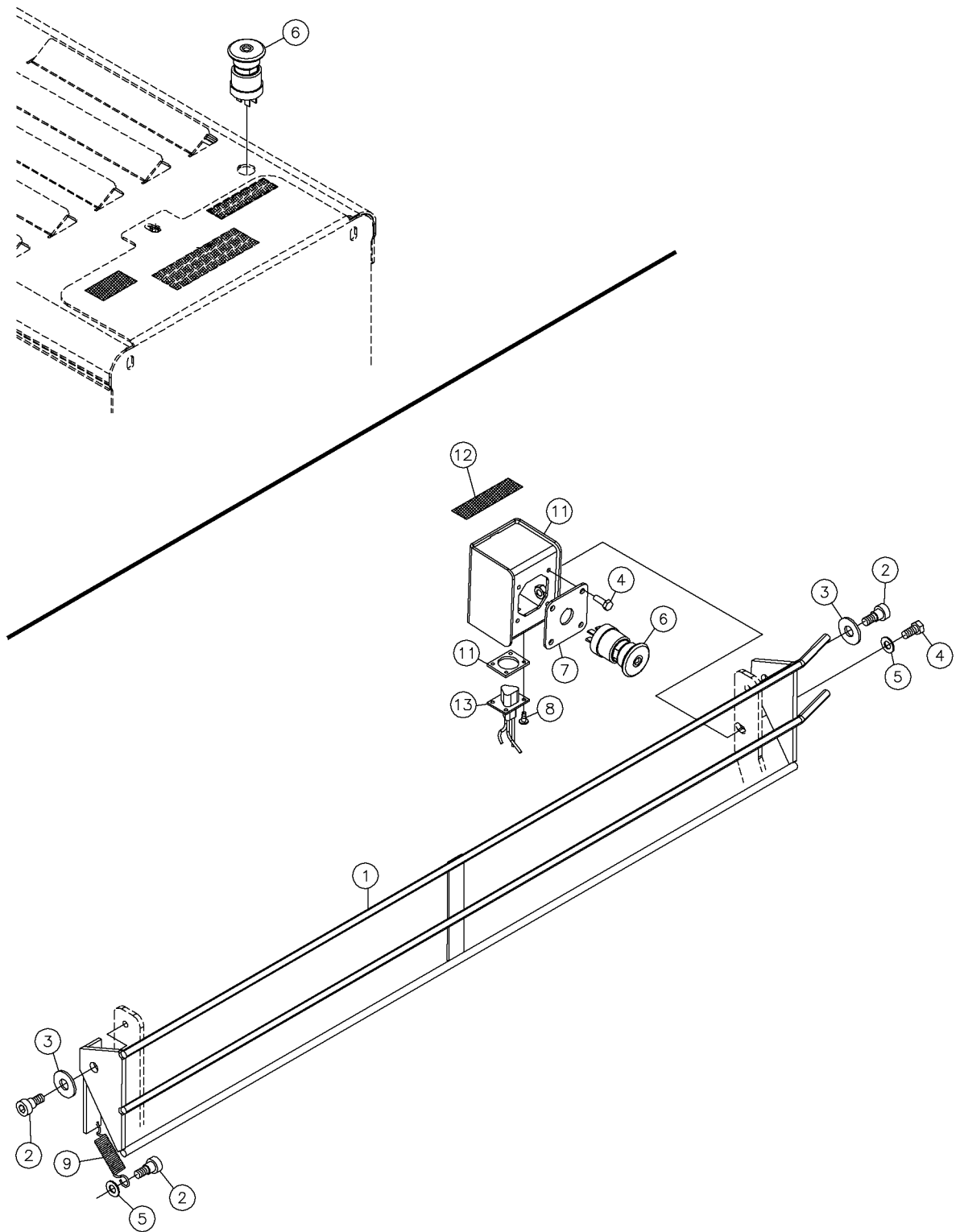




## Safety Bar-E-Stop Fig 6-7r01

REF. NO.	*	PART NO.	DESCRIPTION	QTY.	REMARKS
		Revision Date	March, 2005		Update In Illustration.
1		296276738	BAR - SAFETY	1	
2		296256038	SCREW - SHSS - .50X.38-.38-16 THD-CZ	3	
3		485011	WASHER-1/2 FLAT	2	
4		235734001	BOLT-1/4-20X3/4 GR8 ZINC PLTD	4	
5		510337635	WASHER-FLATSAE-.38-.41X.81-16G-YZ	3	
6		296259684	BUTTON - RED PUSH/PULL	1	
7		296277516	PLATE - E-STOP MOUNT	1	
8		141364001	SCREW-10-32 X 1/2 CRPHM	4	
9		235869001	SPRING-EXT. 3/4 OD X .085-3.00	1	
10		403454001	GASKET - 3 PIN BULKHEAD	1	
11		296276734	MOUNT - E-STOP	1	
12		700IB807	DECAL - E-STOP	1	
13		404023001	E-STOP HARNESS	1	

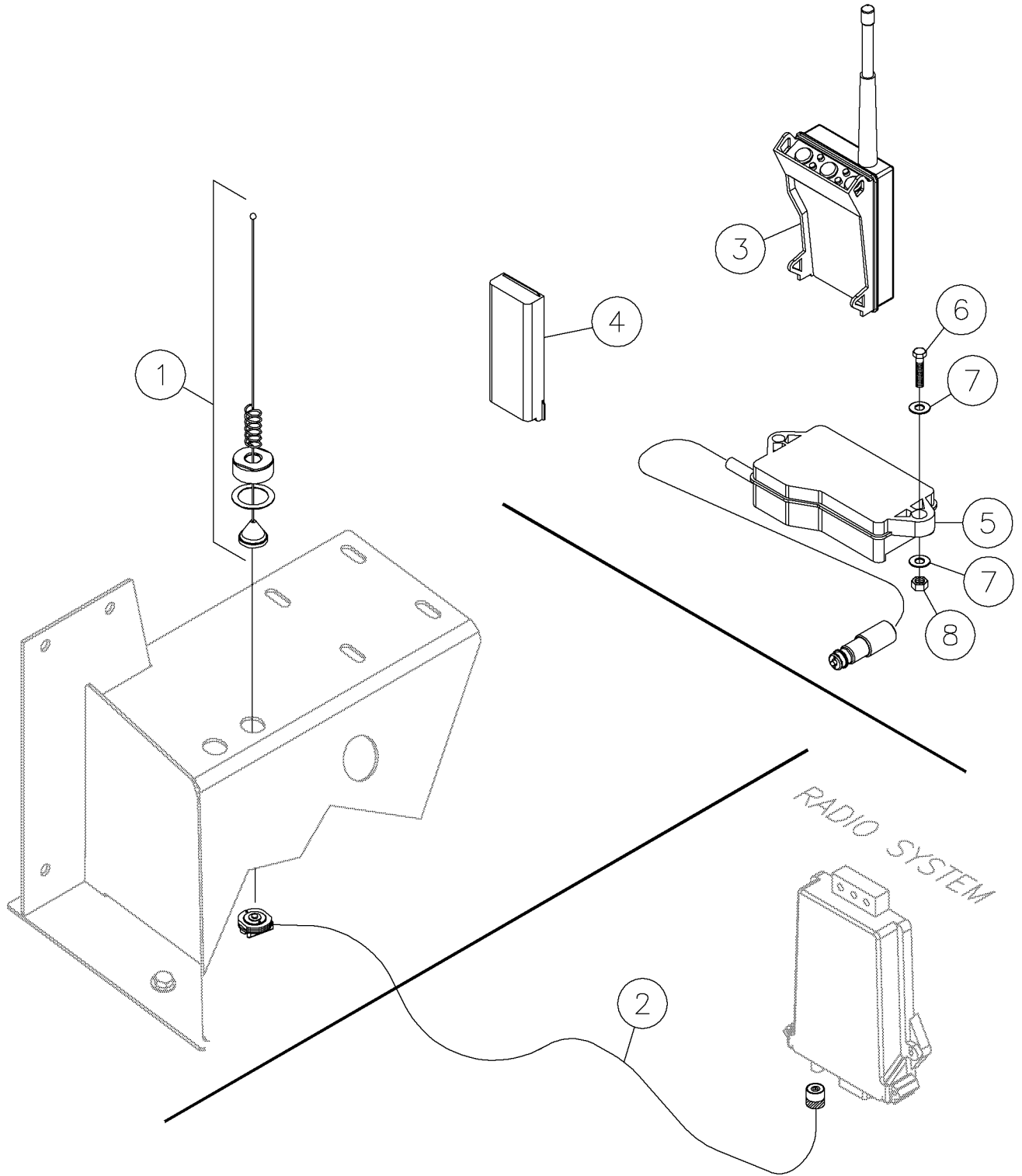
Safety Bar-E-Stop Fig 6-7



## Safety Bar-E-Stop Fig 6-7

REF. NO.	*	PART NO.	DESCRIPTION	QTY.	REMARKS
1		296276738	BAR - SAFETY	1	
2		296256038	SCREW - SHSS - .50X.38-.38-16 THD-CZ	3	
3		485011	WASHER-1/2 FLAT REF	2	
4		235734001	BOLT-1/4-20X3/4 GR8 ZINC PLTD	4	
5		510337635	WASHER-FLATSAE-.38-.41X.81-16G-YZ	3	
6		296259684	BUTTON - RED PUSH/PULL	1	
7		296277516	PLATE - E-STOP MOUNT	1	
8		141364001	SCREW-10-32 X 1/2 CRPHM	4	
9		235869001	SPRING-EXT. 3/4 OD X .085-3.00	1	
10		403454001	GASKET - 3 PIN BULKHEAD	1	
11		296276734	MOUNT - E-STOP	1	
12		700IB807	DECAL - E-STOP	1	
13		404023001	E-STOP HARNESS	1	

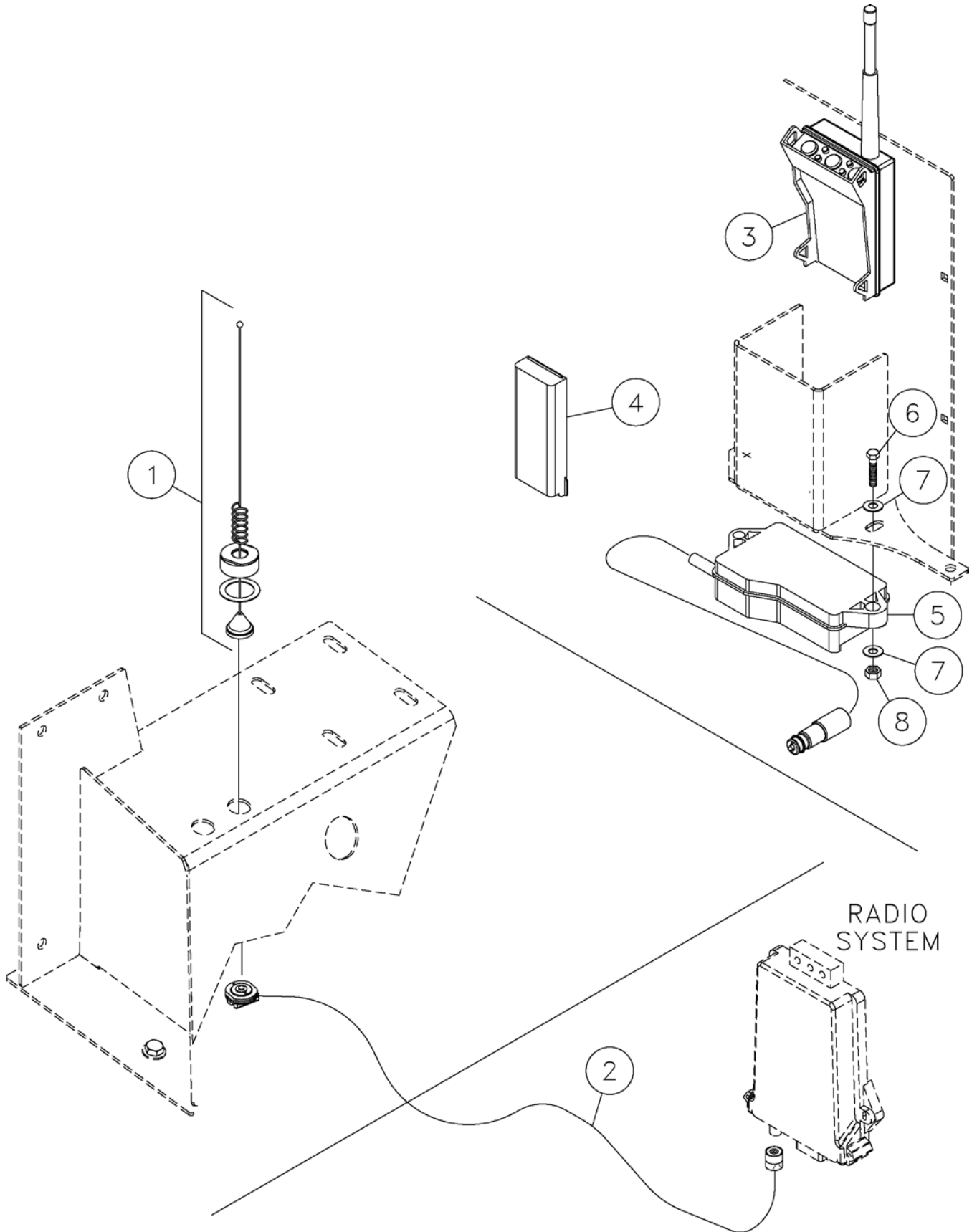
Remote Lockout Electrical Fig 6-8r02



## Remote Lockout Electrical Fig 6-8r02

REF. NO.	*	PART NO.	DESCRIPTION	QTY.	REMARKS
		Revision Date	March, 2006		Update In Illustration.
1		296272364	ANTENNA -915 MHZ, 3 dBI, 1/4 WAVE	1	
2		296272607	MOUTN - ANTENNA MOTOROLA TYPE RG-58	1	
3		296272303	ASM - R309LK FOR HDD	1	
4		296272400	BATTERY - 1000MA NBB	1	
5		296272392	CHARGER, 12-VOLT NBB	1	
6		235723001	SCREW - HCS - .38 - 16 X 1.50 - GR8 - YZ	2	
7		235713001	WASHER - FLATSTRL - .38 - .41 X .81 - .06-YA-A325	4	
8		235725001	NUT - HEX - .38 - 16 - GR8 - YZ	2	

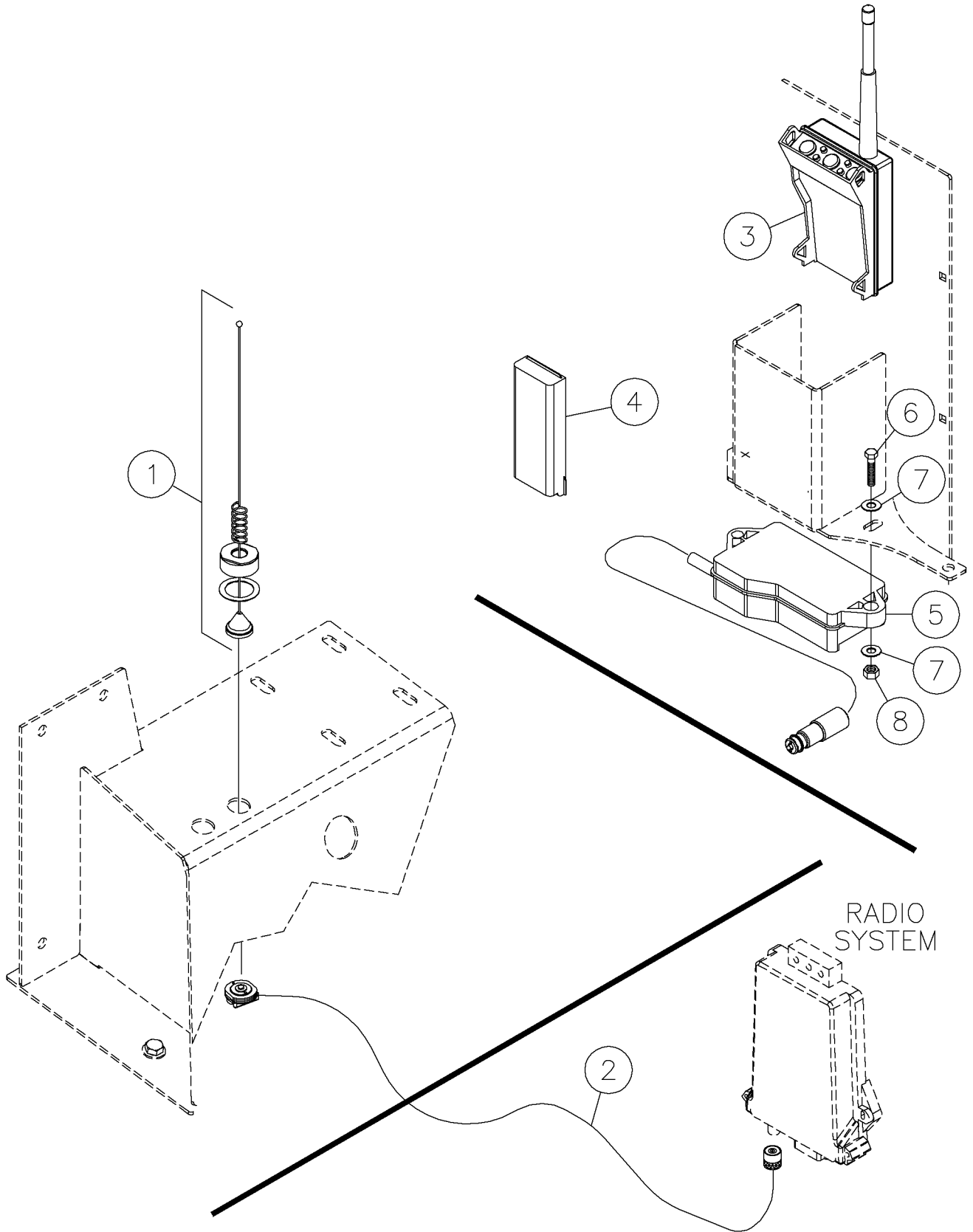
Remote Lockout Electrical Fig 6-8r01



## Remote Lockout Electrical Fig 6-8r01

REF. NO.	*	PART NO.	DESCRIPTION	QTY.	REMARKS
		Revision Date	October, 2005		Update In Parts List
1		296272364	ANTENNA -915 MHZ, 3 dBI, 1/4 WAVE	1	
2	*	296272607	MOUTN - ANTENNA MOTOROLA TYPE RG-58	1	PN Change
3		296272303	ASM - R309LK FOR HDD	1	
4		296272400	BATTERY - 1000MA NBB	1	
5		296272392	CHARGER, 12-VOLT NBB	1	
6		235723001	SCREW - HCS - .38 - 16 X 1.50 - GR8 - YZ	2	
7		235713001	WASHER - FLATSTRL - .38 - .41 X .81 - .06-YA-A325	4	
8		235725001	NUT - HEX - .38 - 16 - GR8 - YZ	2	

Remote Lockout Electrical Fig 6-8

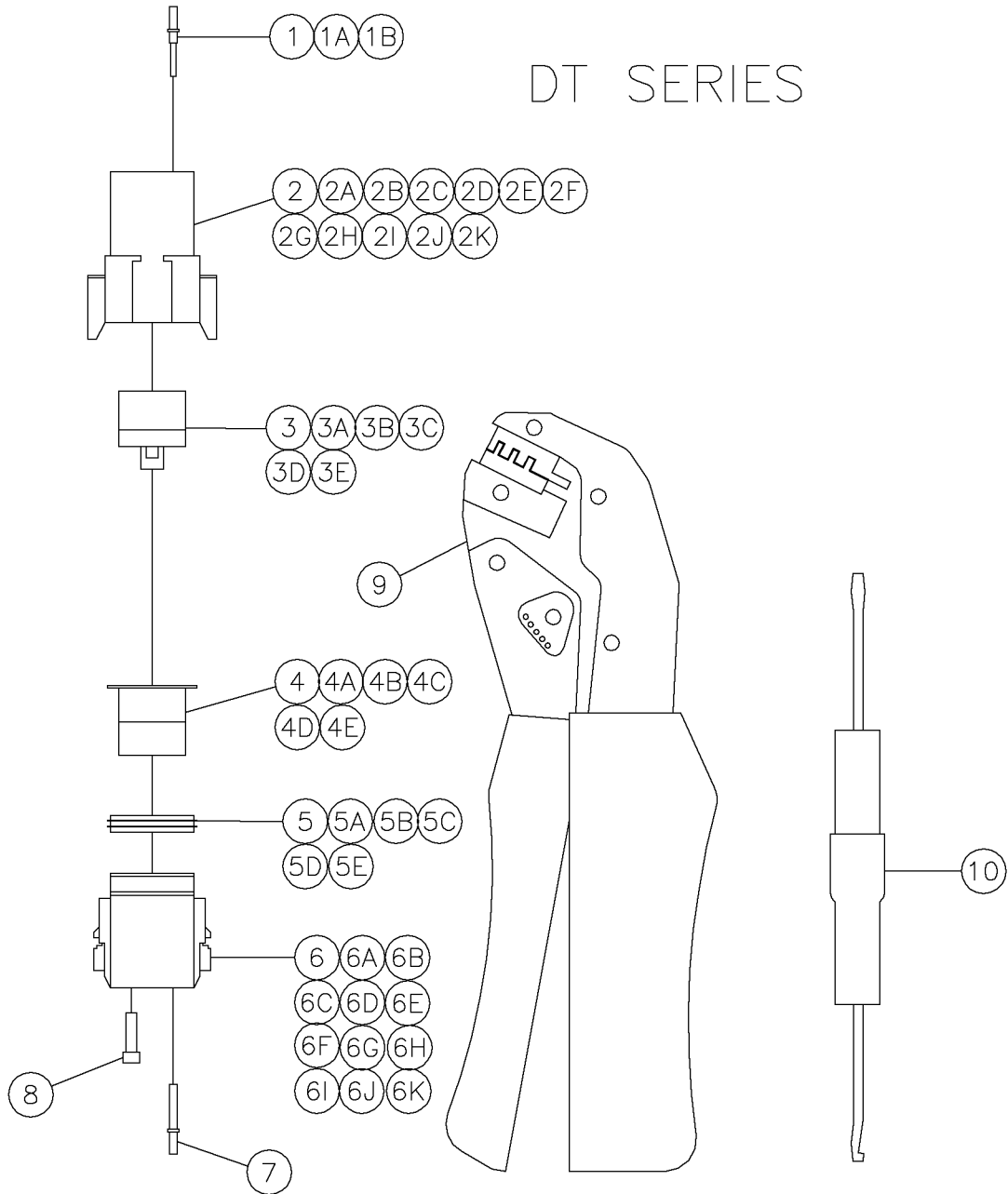




## Remote Lockout Electrical Fig 6-8

REF. NO.	*	PART NO.	DESCRIPTION	QTY.	REMARKS
1		296272364	ANTENNA -915 MHZ, 3 dBI, 1/4 WAVE	1	
2		296272366	MOUTN - ANTENNA MOTOROLA TYPE RG-58	1	
3		296272303	ASM - R309LK FOR HDD	1	
4		296272400	BATTERY - 1000MA NBB	1	
5		296272392	CHARGER, 12-VOLT NBB	1	
6		235723001	SCREW - HCS -.38 - 16 X 1.50 - GR8 - YZ	2	
7		235713001	WASHER - FLATSTRL - .38 - .41 X .81 - .06-YA-A325	4	
8		235725001	NUT - HEX - .38 - 16 - GR8 - YZ	2	

DT Series Connectors Fig 6-9



## DT Series Connectors Fig 6-9

REF. NO.	*	PART NO.	DESCRIPTION	QTY.	REMARKS
1		276866001	PIN - 14/16 GA.		
1A		87696001	PIN-16/18 GA.		
1B		276951001	PIN - (20 GA.)		
2		276867001	RECEPTACLE - 2 PIN		
2A		276868001	RECEPTACLE - 3 PIN		
2B		276869001	RECEPTACLE - 4 PIN		
2C		276890001	RECEPTACLE - 6 PIN		
2D		276943001	RECEPTACLE - 8 PIN (A)		
2E		276944001	RECEPTACLE - 8 PIN (B)		
2F		276945001	RECEPTACLE - 8 PIN (C)		
2G		276946001	RECEPTACLE - 8 PIN (D)		
2H		276947001	RECEPTACLE - 12 PIN (A)		
2I		276948001	RECEPTACLE - 12 PIN (B)		
2J		276949001	RECEPTACLE - 12 PIN (C)		
2K		276950001	RECEPTACLE - 12 PIN (D)		
3		276870001	WEDGE - 2 PIN RECEPTACLE		
3A		276871001	WEDGE - 3 PIN RECEPTACLE		
3B		276872001	WEDGE - 4 PIN RECEPTACLE		
3C		276873001	WEDGE - 6 PIN RECEPTACLE		
3D		94200001	WEDGE - 8 PIN RECEPTACLE		
3E		103213001	WEDGE - 12 PIN RECEPTACLE		
4		276874001	WEDGE - 2 PIN PLUG		
4A		276875001	WEDGE - 3 PIN PLUG		
4B		276876001	WEDGE - 4 PIN PLUG		
4C		276877001	WEDGE - 6 PIN PLUG		
4D		98106001	WEDGE - 8 PIN PLUG		
4E		103214001	WEDGE - 12 PIN PLUG		
5		276878001	GASKET - INTERFACE 2 PIN		
5A		276879001	GASKET - INTERFACE 3 PIN		
5B		276880001	GASKET - INTERFACE 4 PIN		
5C		276881001	GASKET - INTERFACE 6 PIN		
5D		276882001	GASKET - INTERFACE 8 PIN		
5E		276883001	GASKET - INTERFACE 12 PIN		
6	*	276884001	PLUG - 2 PIN		
6A		276885001	PLUG - 3 PIN		
6B		276886001	PLUG - 4 PIN		
6C		276887001	PLUG - 6 PIN		
6D		98107001	PLUG - 8 PIN (A)		
6E		276985001	PLUG - 8 PIN (B)		
6F		276986001	PLUG - 8 PIN (C)		
6G		276987001	PLUG - 8 PIN (D)		
6H		103211001	PLUG - 12 PIN (A)		
6I		276988001	PLUG - 12 PIN (B)		
6J		276989001	PLUG - 12 PIN (C)		
6K		276990001	PLUG - 12 PIN (D)		
7		91354001	SOCKET - 16/18 GA.		
8		94201001	PLUG - SEALING (12-16)		
9		286553001	TOOL - DEUTSCH CRIMPING (FIELD)		
10		286553003	TOOL - DEUTSCH (FIELD)		

Vise (S/N 332-) Fig 7-1r03

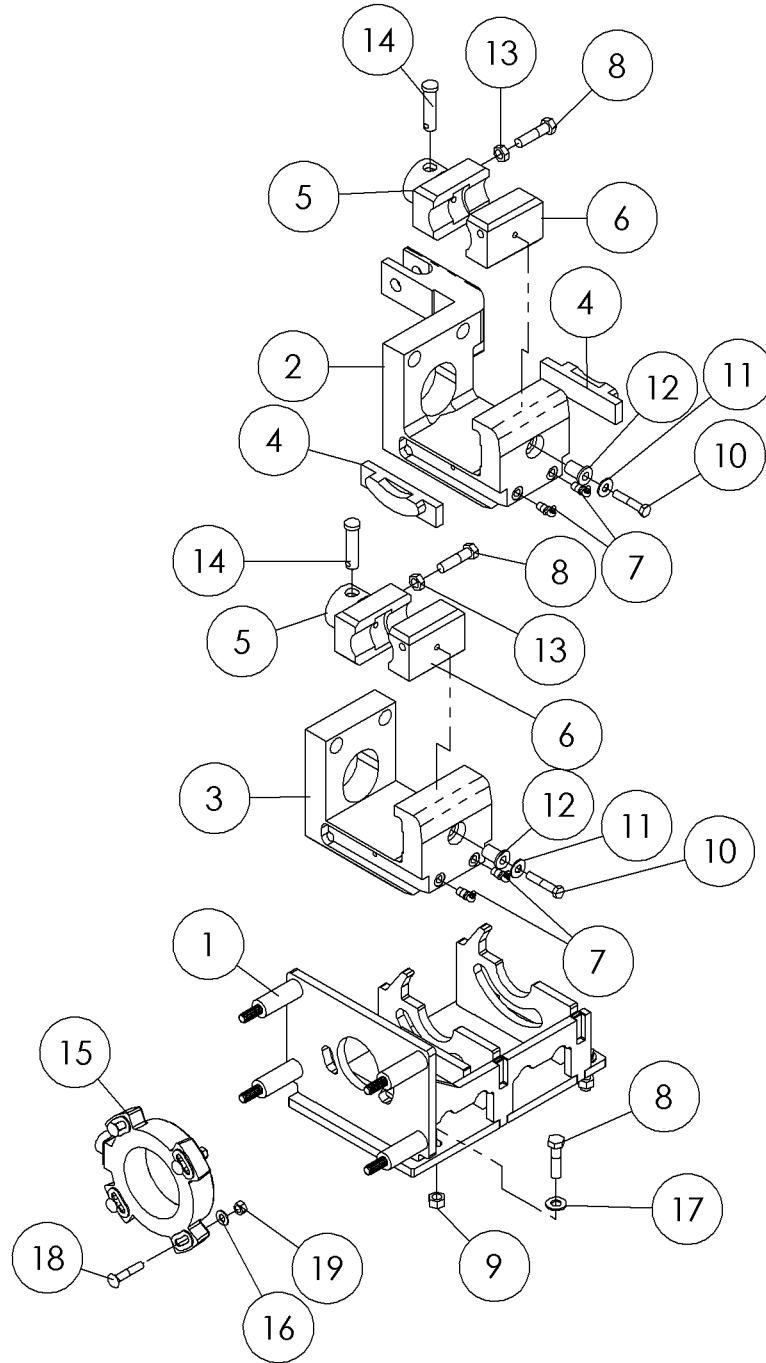
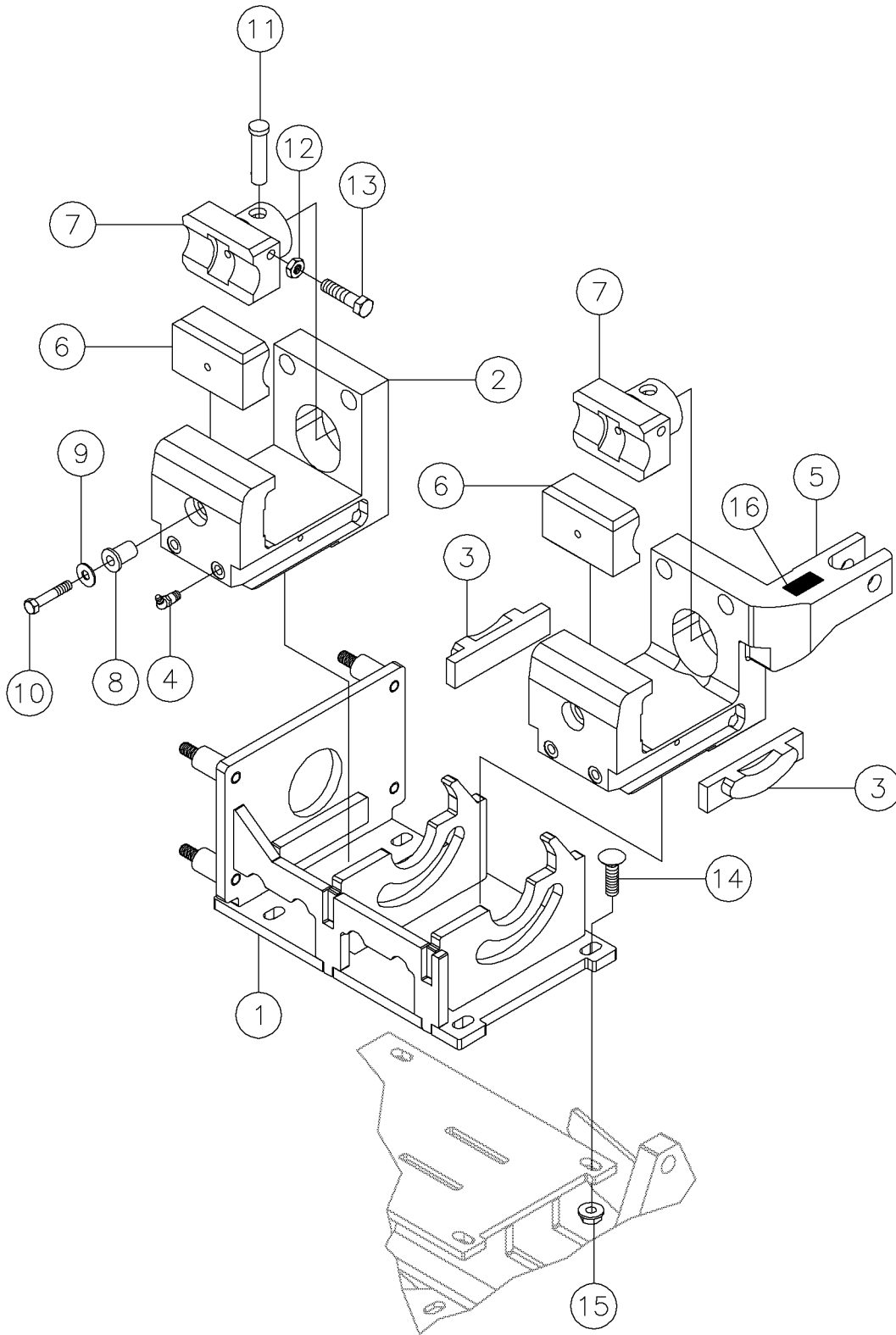


Illustration No. 296280290

## Vise (S/N 332-) Fig 7-1r03

REF. NO.	*	PART NO.	DESCRIPTION	QTY.	REMARKS
		Revision Date	October, 2007		Change Weldment
1	*	296280289	WISE CLAMP FRAME WELDMENT	1	
2		236109001	CLAMP-UPPER	1	
3		236063001	CLAMP-LOWER	1	
4		232449001	PIVOT-SLIDE	2	
5		236090001	JAW-1.66 VISE	2	
6		236076001	JAW-1.66 STEM	2	
7		604077001	ZERK-1/8 NPTX65DEG 9/16LONG GR	4	
8		235718001	BOLT-1/2-13X2 GR8 HEX ZINC PLT	6	
9		250512001	NUT- 1/2 NC Gr8 TOP LOCK Y/ ZINC	4	
10		240454001	BOLT-3/8-16X2 GR8 ZP	2	
11		485007	WASHER-FLATSTD-.38-.44X1.00-.08-CZ	2	
12		228064001	INSERT-FASTENER	2	
13		422001	NUT-1/2 NC HEX JAM REF T03050	2	
14		240032001	PIN-.620X2 33/64 BALL LOCK	2	
15		296252772	STRIKE ALERT - 4" COIL ASSEMBLY 2000 TURNS	1	
16		235713001	WASHER - FLATSTRL - .38 - .41 X .81 - .06-YA-A325	4	
17		485025	WASHER-1/2 FLAT-HARDENED-YZ	4	
18		510308120	BOLT - CARG.-.38-16X2.00-GR5-YZ	4	
19		163621963	NUT-HEXCTRLOCK-.38-16-GR5-YZ	4	

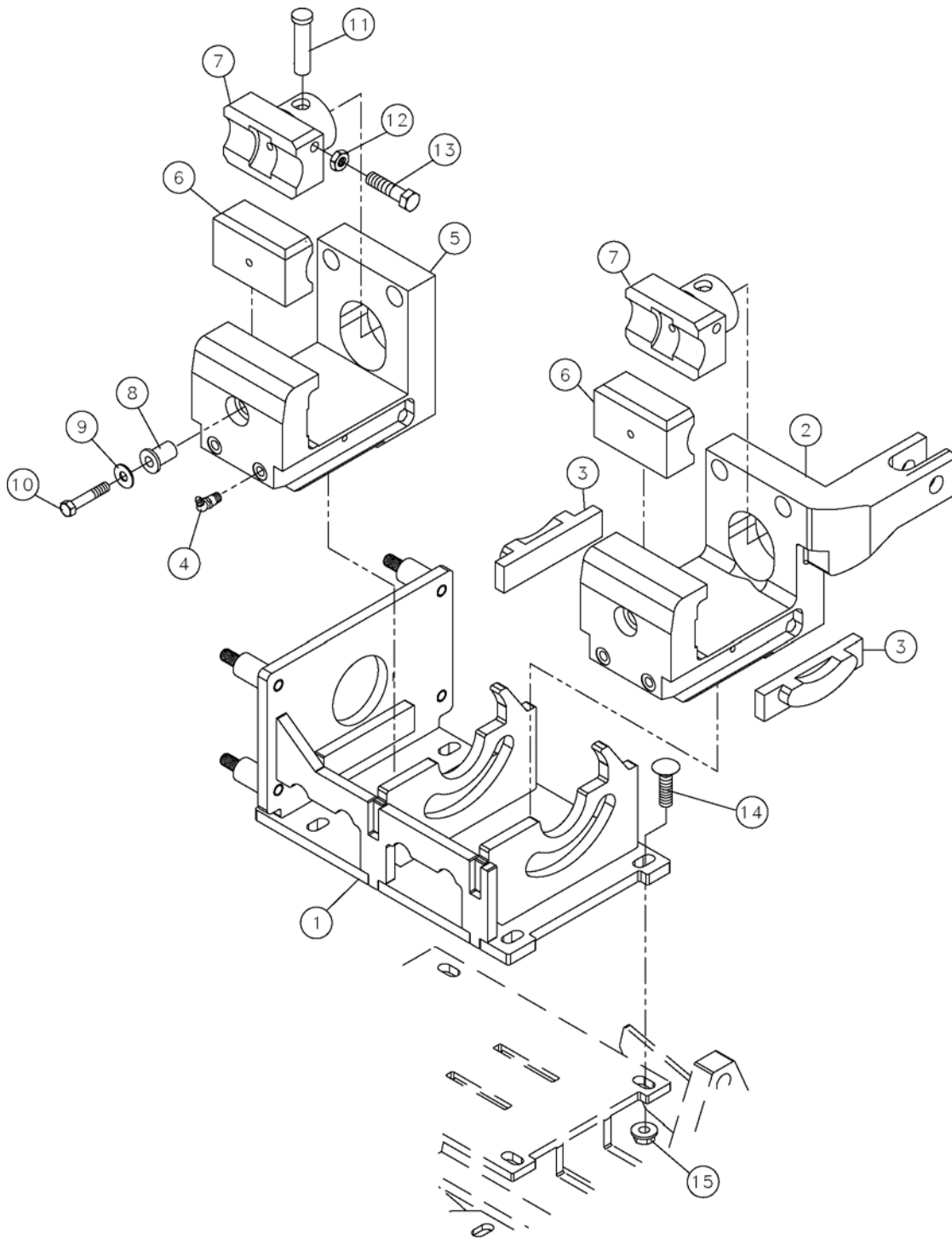
Vise Fig 7-1r02



## Vise Fig 7-1r02

REF. NO.	*	PART NO.	DESCRIPTION	QTY.	REMARKS
		Revision Date	March, 2006		Update In Illustration & Parts List.
1		296280289	WISE CLAMP FRAME WELDMENT	1	
2		236063001	CLAMP-LOWER	1	
3		232449001	PIVOT-SLIDE	2	
4		604077001	ZERK-1/8 NPTX65DEG 9/16LONG GR	4	
5		236109001	CLAMP-UPPER	2	
6		236076001	JAW-1.66 STEM	2	
7		236090001	JAW-1.66 VISE	2	
8		228064001	INSERT-FASTENER	2	
9		485007	WASHER-FLATSTD-.38-.44X1.00-.08-CZ	2	
10		240454001	BOLT-3/8-16X2 GR#8 ZINC PLTD	2	
11		240032001	PIN-.620X2 33/64 BALL LOCK	2	
12		422001	NUT-1/2 NC HEX JAM	2	
13		235718001	BOLT-1/2-13X2 GR8 HEX ZINC PLT	2	
14		377016	1/2-13X1 3/4"GD#5CARRIAGE BOLT	4	
15		1809001	NUT-1/2 SM FLGE TOP LOCK	4	
16		7000A864	DECAL-WARNING DOMESTIC	1	DOMESTIC
		700IA864	DECAL-WARNING INTERNATIONAL	1	INTERNATIONAL

Vise Fig 7-1r01

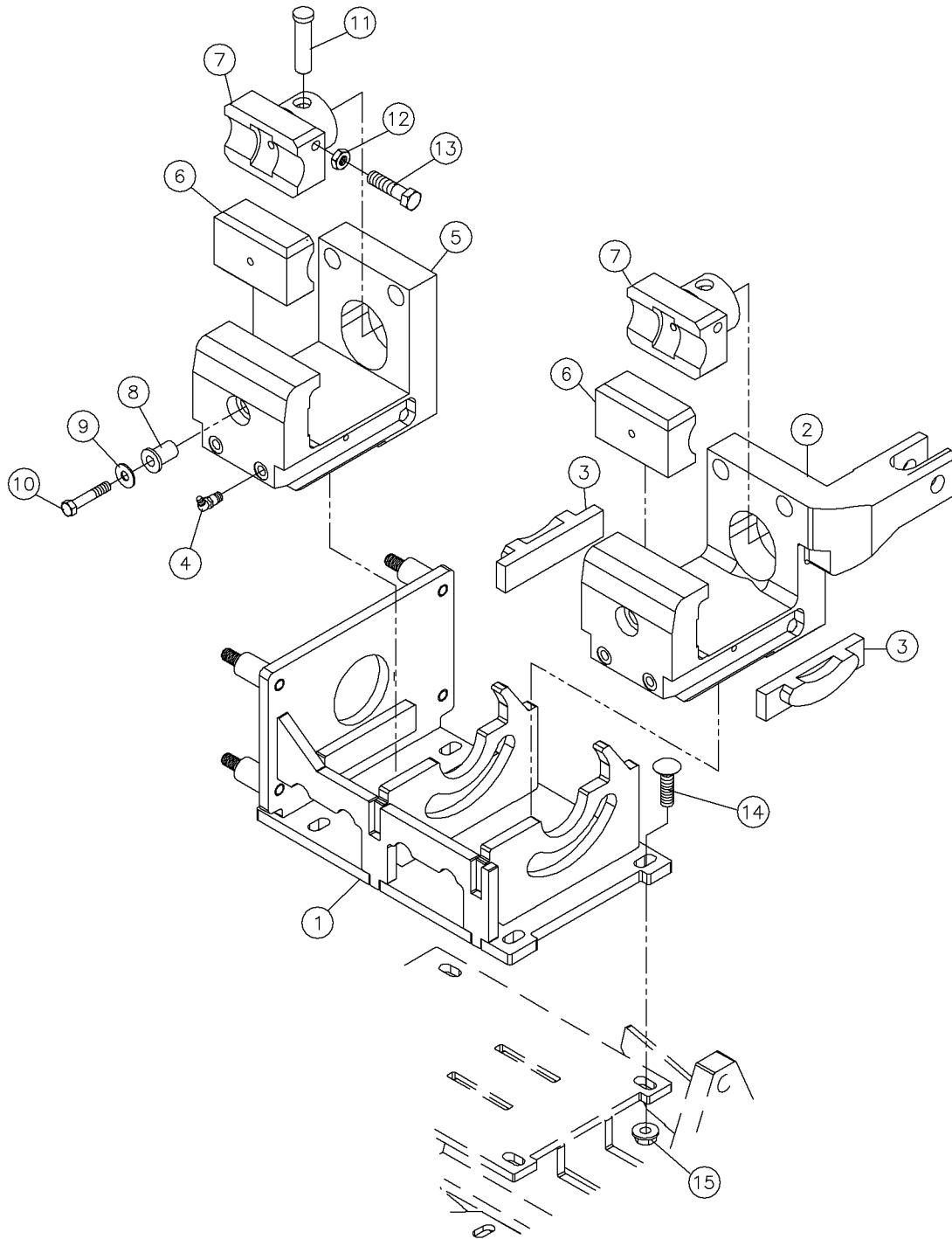




## Vise Fig 7-1r01

REF. NO.	*	PART NO.	DESCRIPTION	QTY.	REMARKS
		Revision Date	October, 2005		Update In Illus. & Parts List
1	*	296280289	WISE CLAMP FRAME WELDMENT	1	PN Change
2		236063001	CLAMP-LOWER	1	
3		232449001	PIVOT-SLIDE	2	
4		604077001	ZERK-1/8 NPTX65DEG 9/16LONG GR	4	
5		236109001	CLAMP-UPPER	2	
6		236076001	JAW-1.66 STEM	2	
7		236090001	JAW-1.66 VISE	2	
8		228064001	INSERT-FASTENER	2	
9		485007	WASHER-FLATSTD-.38-.44X1.00-.08-CZ	2	
10		240454001	BOLT-3/8-16X2 GR#8 ZINC PLTD	2	
11		240032001	PIN-.620X2 33/64 BALL LOCK	2	
12		422001	NUT-1/2 NC HEX JAM	2	
13		235718001	BOLT-1/2-13X2 GR8 HEX ZINC PLT	2	
14		377016	1/2-13X1 3/4"GD#5CARRIAGE BOLT	4	
15		1809001	NUT-1/2 SM FLGE TOP LOCK REF F02150	4	

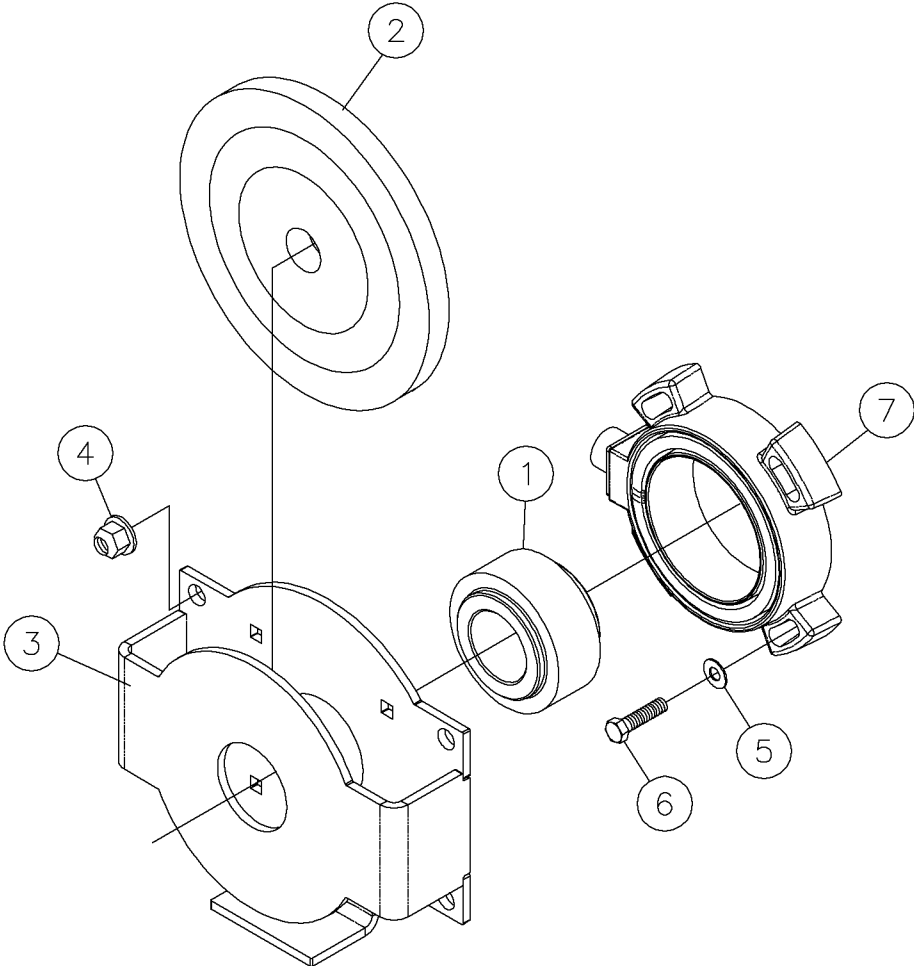
Vise Fig 7-1



## Vise Fig 7-1

REF. NO.	*	PART NO.	DESCRIPTION	QTY.	REMARKS
1		296277560	WISE CLAMP FRAME WELDMENT	1	
2		236063001	CLAMP-LOWER	1	
3		232449001	PIVOT-SLIDE	2	
4		604077001	ZERK-1/8 NPTX65DEG 9/16LONG GR	4	
5		236109001	CLAMP-UPPER	2	
6		236076001	JAW-1.66 STEM	2	
7		236090001	JAW-1.66 VISE	2	
8		228064001	INSERT-FASTENER	2	
9		485007	WASHER-FLATSTD-.38-.44X1.00-.08-CZ	2	
10		240454001	BOLT-3/8-16X2 GR#8 ZINC PLTD	2	
11		240032001	PIN-.620X2 33/64 BALL LOCK	2	
12		422001	NUT-1/2 NC HEX JAM	2	
13		235718001	BOLT-1/2-13X2 GR8 HEX ZINC PLT	2	
14		377016	1/2-13X1 3/4"GD#5CARRIAGE BOLT	4	
15		1809001	NUT-1/2 SM FLGE TOP LOCK REF F02150	4	

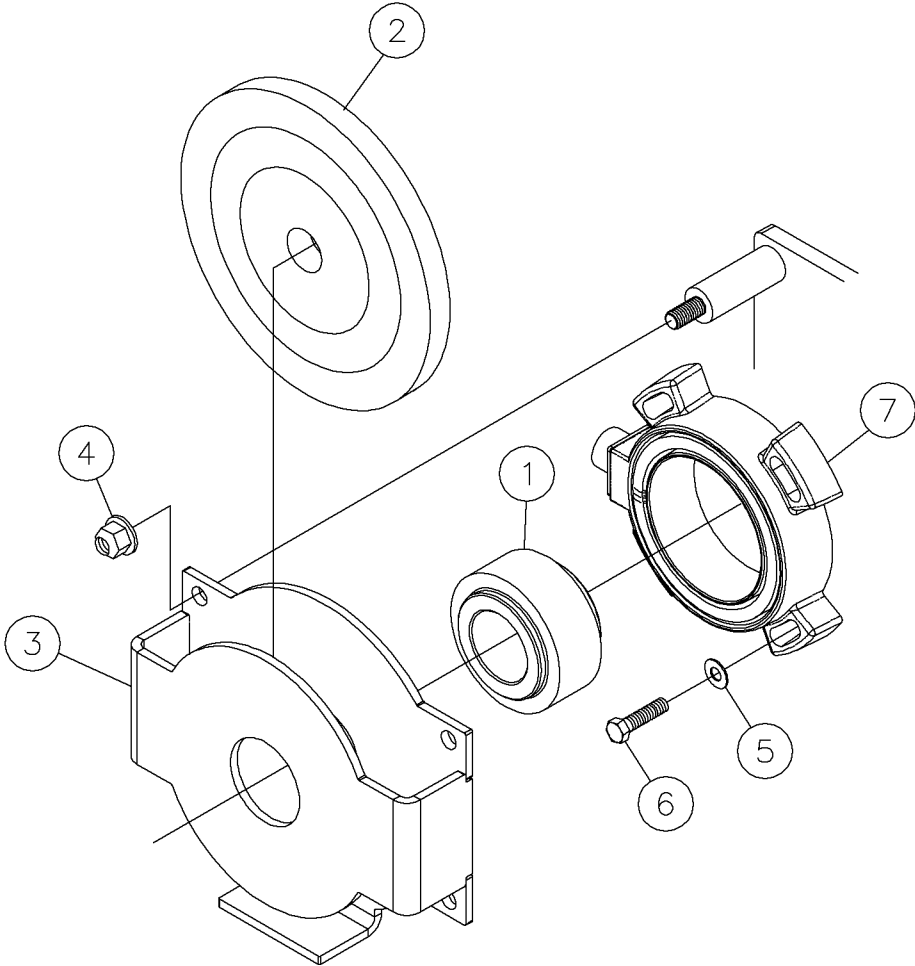
Zap Alert (S/N 702-) Fig 7-2r03



## Zap Alert (S/N 702-) Fig 7-2r03

REF. NO.	*	PART NO.	DESCRIPTION	QTY.	REMARKS
		Revision Date	October, 2007		Change Weldment
1		296280523	PLASTIC - ROD GLIDE	1	(S/N 332-)
2		235921001	WIPER-1.66 OD ROD	1	
3	*	296277571	MOUNT - ZAP ALERT / ROD WIPER	1	
4		1809001	NUT-1/2 SM FLGE TOP LOCK	4	
5		235713001	WASHER - FLATSTRL - .38 - .41 X .81 - .06-YA-A325	4	
6		235723001	SCREW - HCS - .38 - 16 X 1.50 - GR8 - YZ	4	
7		296272742	STRIKE ALERT - 4" COIL ASSEMBLY	1	(S/N 702-)

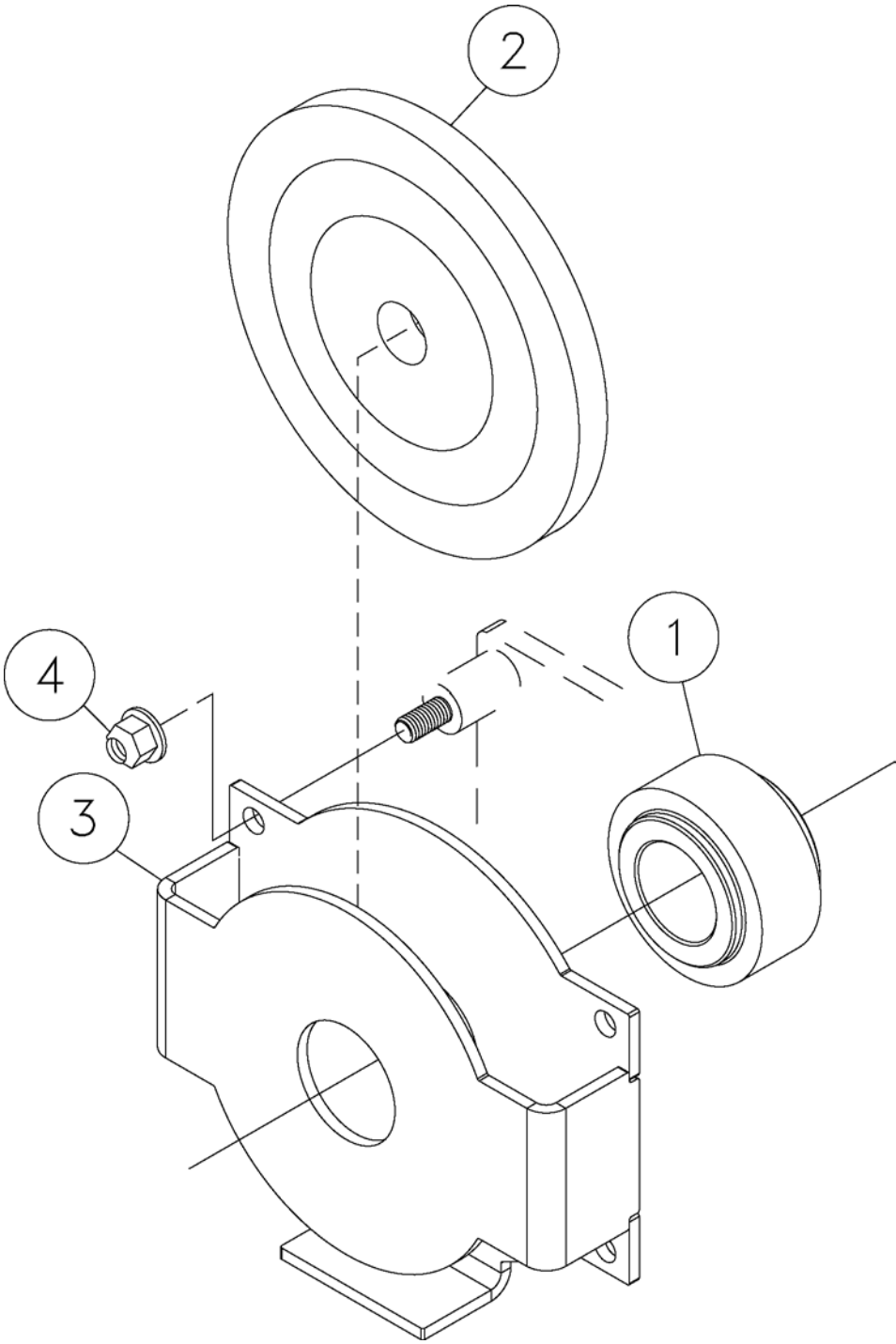
Zap Alert (S/N 332-701) Fig 7-2r02



## Zap Alert (S/N 332-701) Fig 7-2r02

REF. NO.	*	PART NO.	DESCRIPTION	QTY.	REMARKS
		Revision Date	October, 2006		Changed Zap Alert To Strike Alert
1	*	296280523	PLASTIC - ROD GLIDE	1	(S/N 332-)
2		235921001	WIPER-1.66 OD ROD	1	
3		296277571	MOUNT - ZAP ALERT / ROD WIPER	1	
4		1809001	NUT-1/2 SM FLGE TOP LOCK	4	
5	*	235713001	WASHER - FLATSTRL - .38 - .41 X .81 - .06-YA-A325	4	
6	*	235723001	SCREW - HCS - .38 - 16 X 1.50 - GR8 - YZ	4	
7	*	296272742	STRIKE ALERT - 4" COIL ASSEMBLY	1	(S/N 332-)

Zap Alert Fig 7-2r01

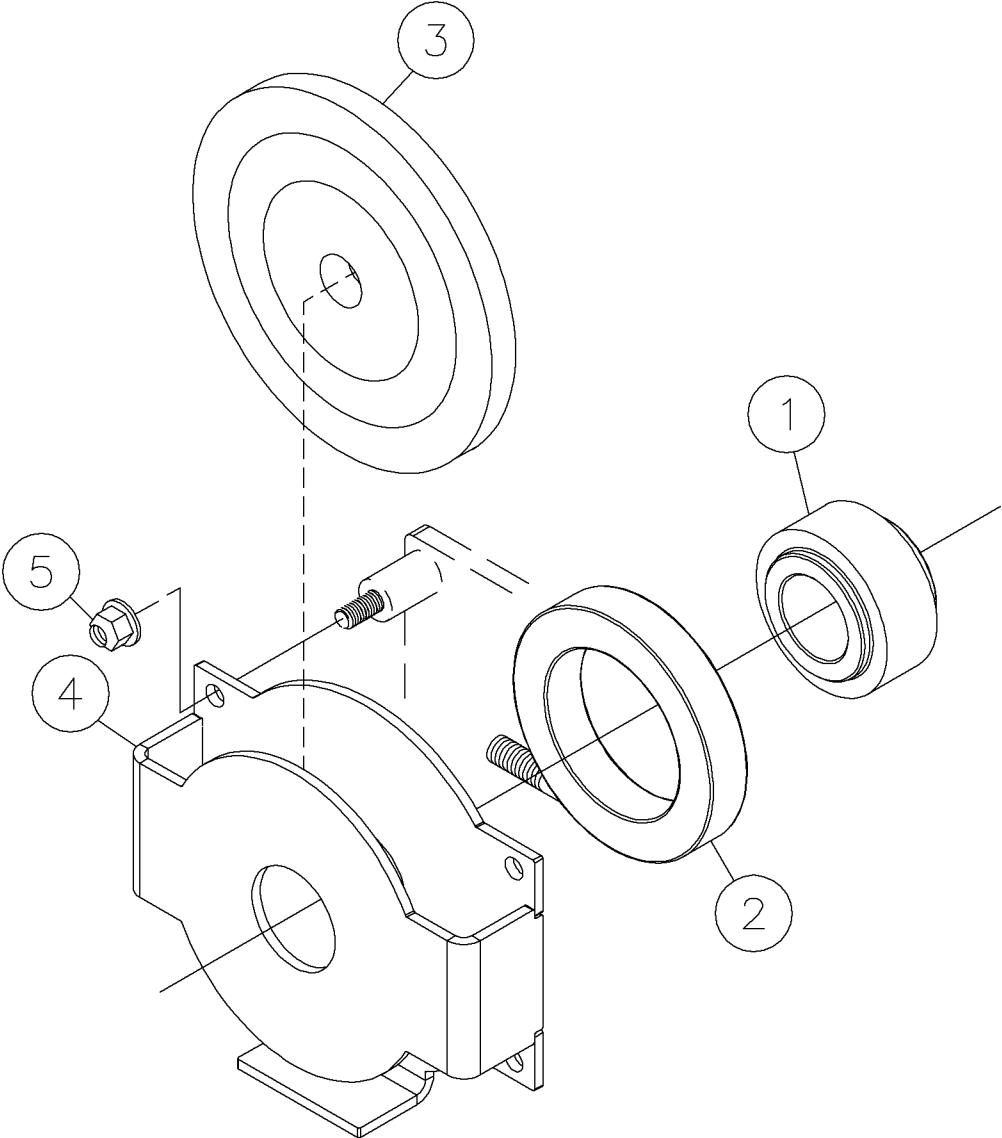




Zap Alert Fig 7-2r01

REF. NO.	*	PART NO.	DESCRIPTION	QTY.	REMARKS
		Revision Date	October, 2005		Update In Illus. & Parts List
1	*	296280523	PLASTIC - ROD GLIDE	1	PN Change
2		235921001	WIPER-1.66 OD ROD	1	
3		296277571	MOUNT - ZAP ALERT / ROD WIPER	1	
4		1809001	NUT-1/2 SM FLGE TOP LOCK REF F02150	4	

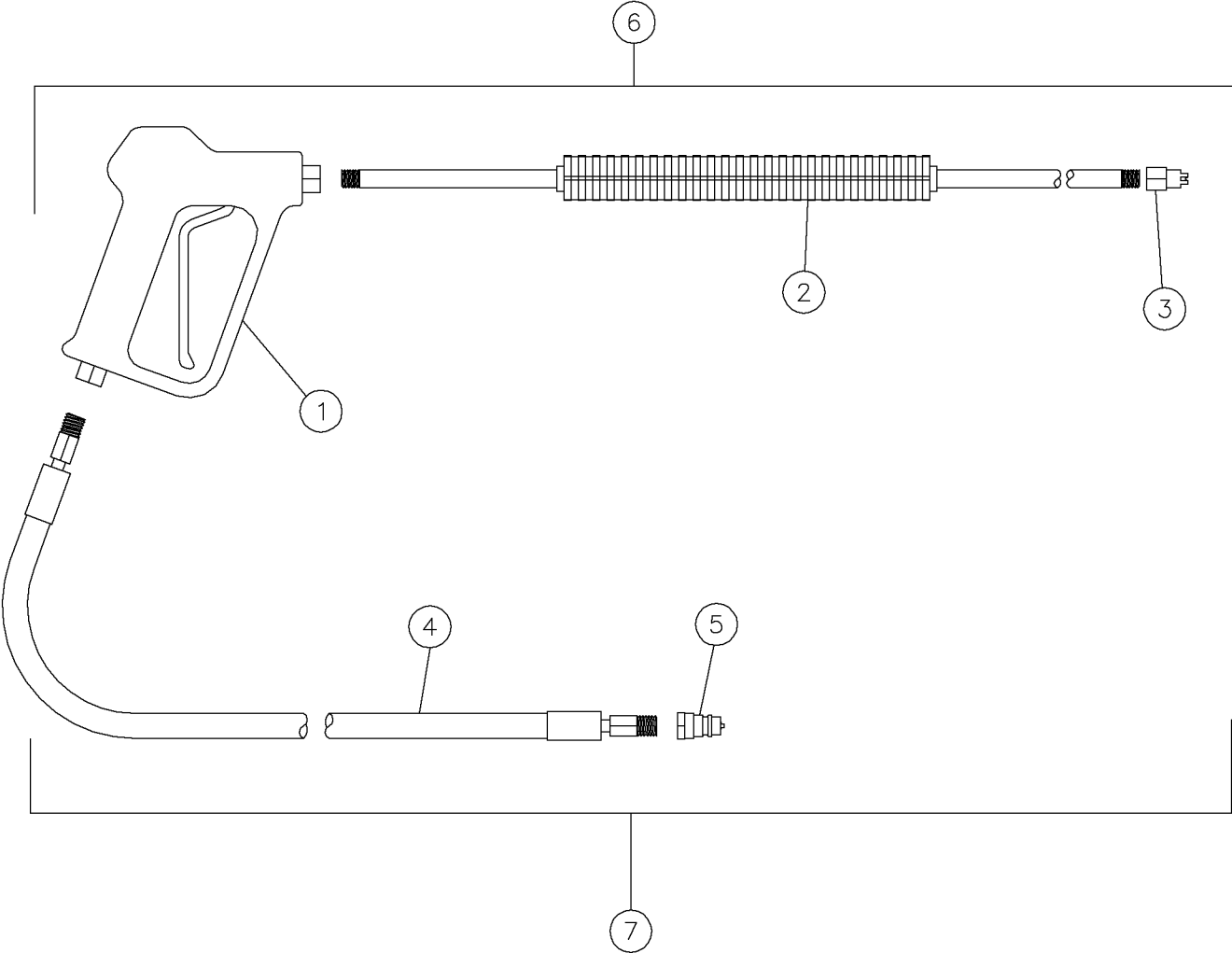
Zap Alert Fig 7-2



## Zap Alert Fig 7-2

REF. NO.	*	PART NO.	DESCRIPTION	QTY.	REMARKS
1		296277568	PLASTIC - ROD GLIDE	1	
2		282518001	COIL - ZAP ALERT	1	
3		235921001	WIPER-1.66 OD ROD	1	
4		296277571	MOUNT - ZAP ALERT / ROD WIPER	1	
5		1809001	NUT-1/2 SM FLGE TOP LOCK REF F02150	4	

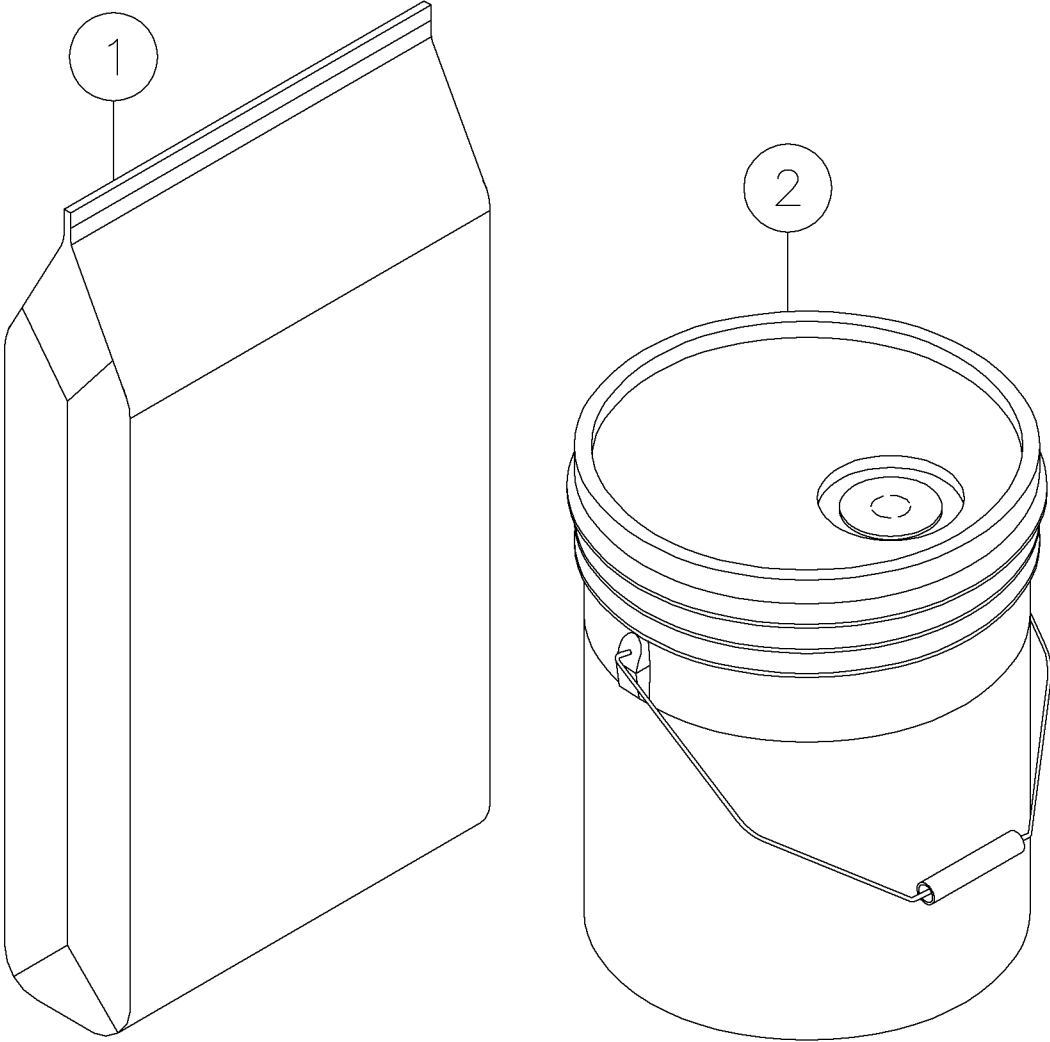
Wand Fig 8-1



## Wand Fig 8-1

REF. NO.	*	PART NO.	DESCRIPTION	QTY.	REMARKS
1		904578001	GUN HANDLE	1	
2		904577001	MOLDED LANCE	1	
3		904576001	SPRAY NOZZLE	1	
4		282761001	HOSE-3/8X500 3/8MSNPT/1/2MNPT 100R2	1	
5		227236001	COUPLER-1/2" NPT QUICK(MALE)	1	
6		285927001	GUN ASSY	1	Inc Ref 1-3
7		240264001	WAND ASSY		Inc Ref 1-5

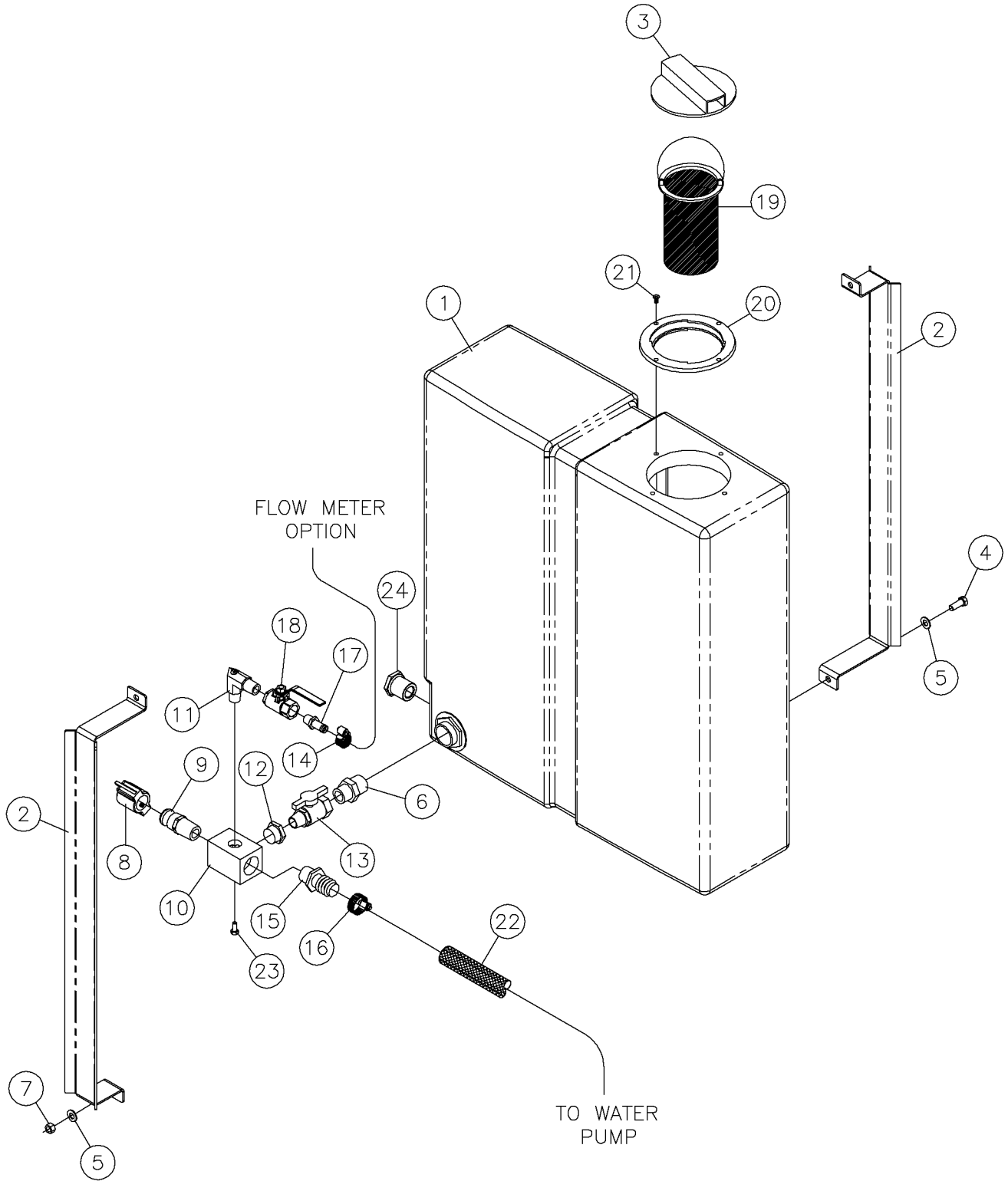
Drill Fluid Fig 8-2



## Drill Fluid Fig 8-2

REF. NO.	*	PART NO.	DESCRIPTION	QTY.	REMARKS
1		904882001	50LBS BAG QUICK GELL BENTONITE		
		123596001	BORE-GEL (50 LB BAG)		
2		905216001	ASP700 (POLYMER) 5 GAL PAIL		
		123595001	EZ-MUD - 5 GALLON		

Water Tank (S/N 167-) Fig 8-3r02





## Water Tank (S/N 167-) Fig 8-3r02

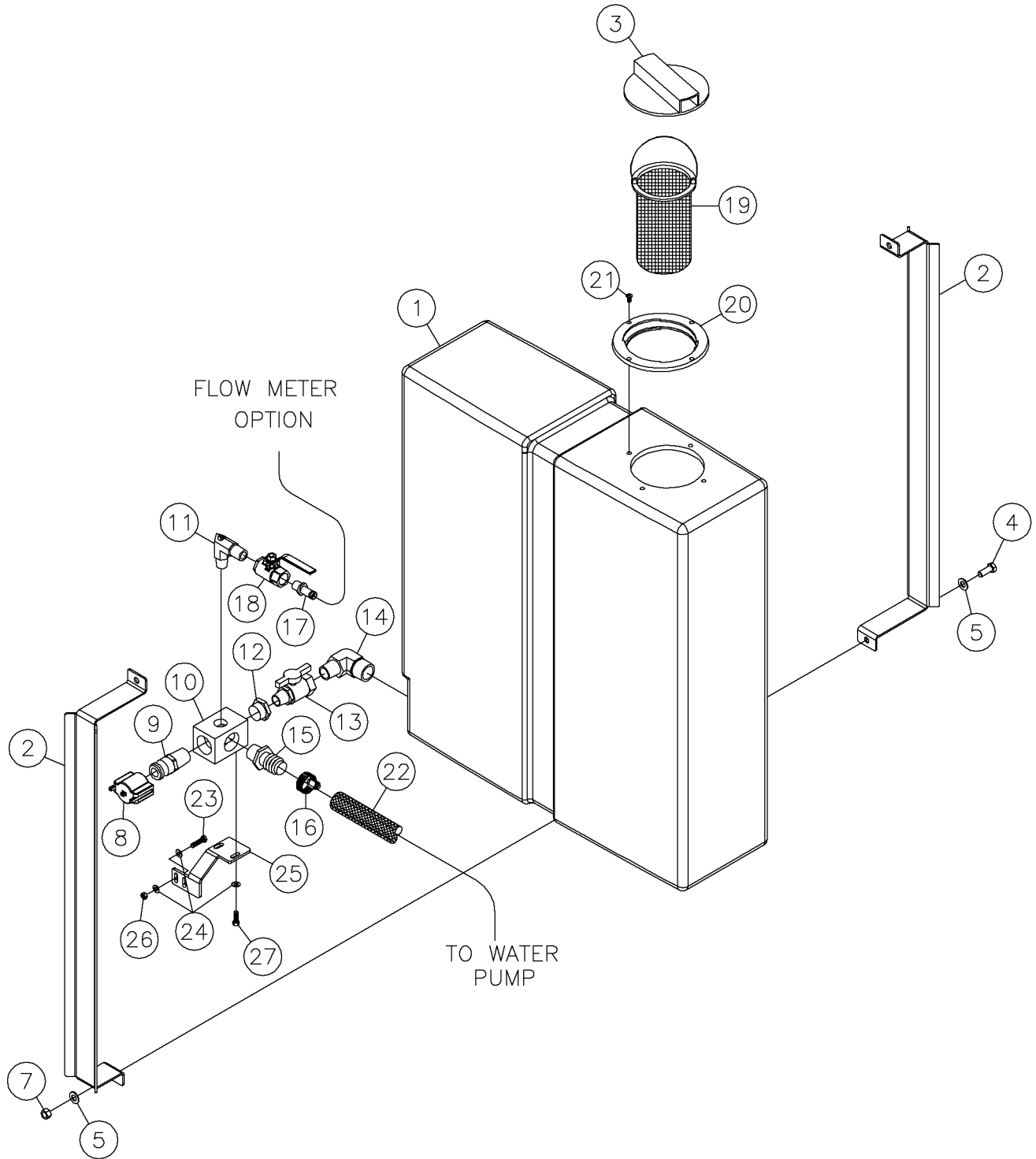
REF. NO.	*	PART NO.	DESCRIPTION	QTY.	REMARKS
		Revision Date	September, 2007		Updated drawing And B.O.M.
1		296277570	TANK - WATER	1	
2		296278506	PLATE - TANK HOLD DOWN	2	
3		296271111	LID-6"	1	
4		235727001	BOLT-3/8-16X1 GR8 HEX ZINC PLT	2	
5		510337635	WASHER-FLATSAE-.38-.41X.81-16G-YZ	4	
6		296280275	FITTING-16MNPT X 12 MNPT/ST	1	
7		235725001	NUT - HEX - .38 - 16 - GR8 - YZ	2	
8		231152001	CAP-1"MALE CAM LEVER (POLY)	1	
9		905432001	FITTING-1"MALE THRD. CAM LOCK	1	
10		231102001	BLOCK-MANIFOLD WATER PUMP	1	
11		904831001	FITTING 1/2MNPT X 1/2MNPT 90	1	
12		730031	1 X 3/4 GALV. BUSHING STEEL	1	
13		275770001	VALVE - 3/4 MXF BALL W/T-HNDL	1	
14		1580003	HOSE CLAMP - 3/4"	1	
15		219105001	HOSE INSERT-1 X 1NPT (NYLON)- 25@86490	1	
16		1580005	HOSE CLAMP - 1"	1	
17		66320001	1/2MPTX1/2HB PLASTIC HOSE BARB	1	
18		1976001	VALVE - 1/2" BALL	1	
19		296271114	BASKET	1	
20		296271112	RING-LID	1	
21		296271113	SCREW	4	
22		905429001	HOSE-1"PVC SUCTION	A/R	P/N Qty. Of 1 = 1 Foot
23		284944001	SOCKET HD CAPSCREW - 1/4 - 20 UNC X 5/8	2	
24		236441001	PLUG-1NPT POLY HEX HEAD	1	



## Water Tank (S/N 167-) Fig 8-3r01

REF. NO.	*	PART NO.	DESCRIPTION	QTY.	REMARKS
		Revision Date	March, 2005		Update In Illustration & Parts List.
1		296277570	TANK - WATER	1	
2		296278506	PLATE - TANK HOLD DOWN	2	
3		296271111	LID-6"	1	
4		235727001	BOLT-3/8-16X1 GR8 HEX ZINC PLT	2	
5		510337635	WASHER-FLATSAE-.38-.41X.81-16G-YZ	4	
6		296280275	FITTING-16MNPT X 12 MNPT/ST	1	
7		235725001	NUT - HEX - .38 - 16 - GR8 - YZ	2	
8		231152001	CAP-1"MALE CAM LEVER (POLY)	1	
9		905432001	FITTING-1"MALE THRD. CAM LOCK	1	
10		231102001	BLOCK-MANIFOLD WATER PUMP	1	
11		904831001	FITTING 1/2MNPT X 1/2MNPT 90	1	
12		730031	1 X 3/4 GALV. BUSHING STEEL	1	
13		275770001	VALVE - 3/4 MXF BALL W/T-HNDL	1	
14		1580003	HOSE CLAMP - 3/4"	1	
15		219105001	HOSE INSERT-1 X 1NPT (NYLON)- 25@86490	1	
16		1580005	HOSE CLAMP - 1"	1	
17		66320001	1/2MPTX1/2HB PLASTIC HOSE BARB	1	
18		1976001	VALVE - 1/2" BALL	1	
19		296271114	BASKET	1	
20		296271112	RING-LID	1	
21		296271113	SCREW	4	
22		905429001	HOSE-1"PVC SUCTION	A/R	P/N Qty. Of 1 = 1 Foot
23		235735001	BOLT-1/4-20X1 GR8 HEX ZNC PLTD	2	
24		252251001	WASHER-1/4 SAE FLAT ZP	6	
25		296278558	PLATE - MANIFOLD MOUNT	1	
26		235732001	NUT - HEX - .25 - 20 - GR8 - YZ	2	
27		284944001	SOCKET HD CAPSCREW - 1/4 - 20 UNC X 5/8	2	
28		236441001	PLUG-1NPT POLY HEX HEAD	1	

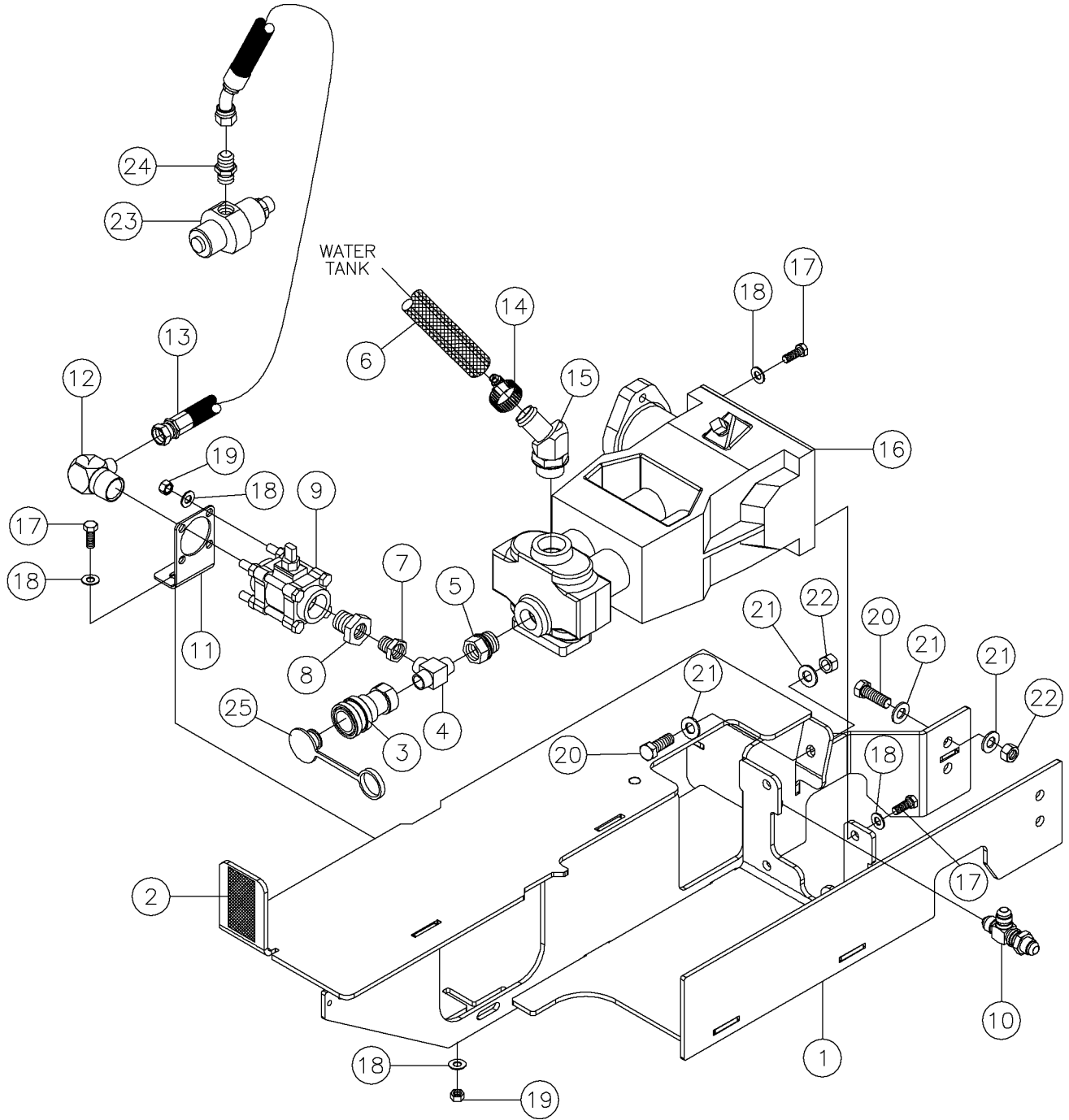
Water Tank Fig 8-3



## Water Tank Fig 8-3

REF. NO.	*	PART NO.	DESCRIPTION	QTY.	REMARKS
1		296277570	TANK - WATER	1	
2		296278506	PLATE - TANK HOLD DOWN	2	
3		296271111	LID-6"	1	
4		235727001	BOLT-3/8-16X1 GR8 HEX ZINC PLT	2	
5		510337635	WASHER-FLATSAE-.38-.41X.81-16G-YZ	4	
7		235725001	NUT - HEX - .38 - 16 - GR8 - YZ	2	
8		231152001	CAP-1"MALE CAM LEVER (POLY)	1	
9		905432001	FITTING-1"MALE THRD. CAM LOCK	1	
10		231102001	BLOCK-MANIFOLD WATER PUMP	1	
11		904831001	FITTING 1/2MNPT X 1/2MNPT 90	1	
12		730017	1" X 3/4" HEX BUSHING STEEL	1	
13		275770001	VALVE - 3/4 MXF BALL W/T-HNDL	1	
14		87664001	FITTING-1M NPTX3/4M NPT 90 DEG	1	
15		219105001	HOSE INSERT-1 X 1NPT (NYLON)- 25@86490	1	
16		1580005	HOSE CLAMP - 1"	1	
17		66320001	1/2MPTX1/2HB PLASTIC HOSE BARB	1	
18		1976001	VALVE - 1/2" BALL	1	
19		296271114	BASKET	1	
20		296271112	RING-LID	1	
21		296271113	SCREW	4	
22		905429001	HOSE-1"PVC SUCTION	A/R	P/N Qty. Of 1 = 1 Foot
23		235735001	BOLT-1/4-20X1 GR8 HEX ZNC PLTD	2	
24		252251001	WASHER-1/4 SAE FLAT ZP	6	
25		296277703	PLATE - MOUNT WATER MANIFOLD	1	
26		235732001	NUT - HEX - .25 - 20 - GR8 - YZ	2	
27		284944001	SOCKET HD CAPSCREW - 1/4 - 20 UNC X 5/8	2	

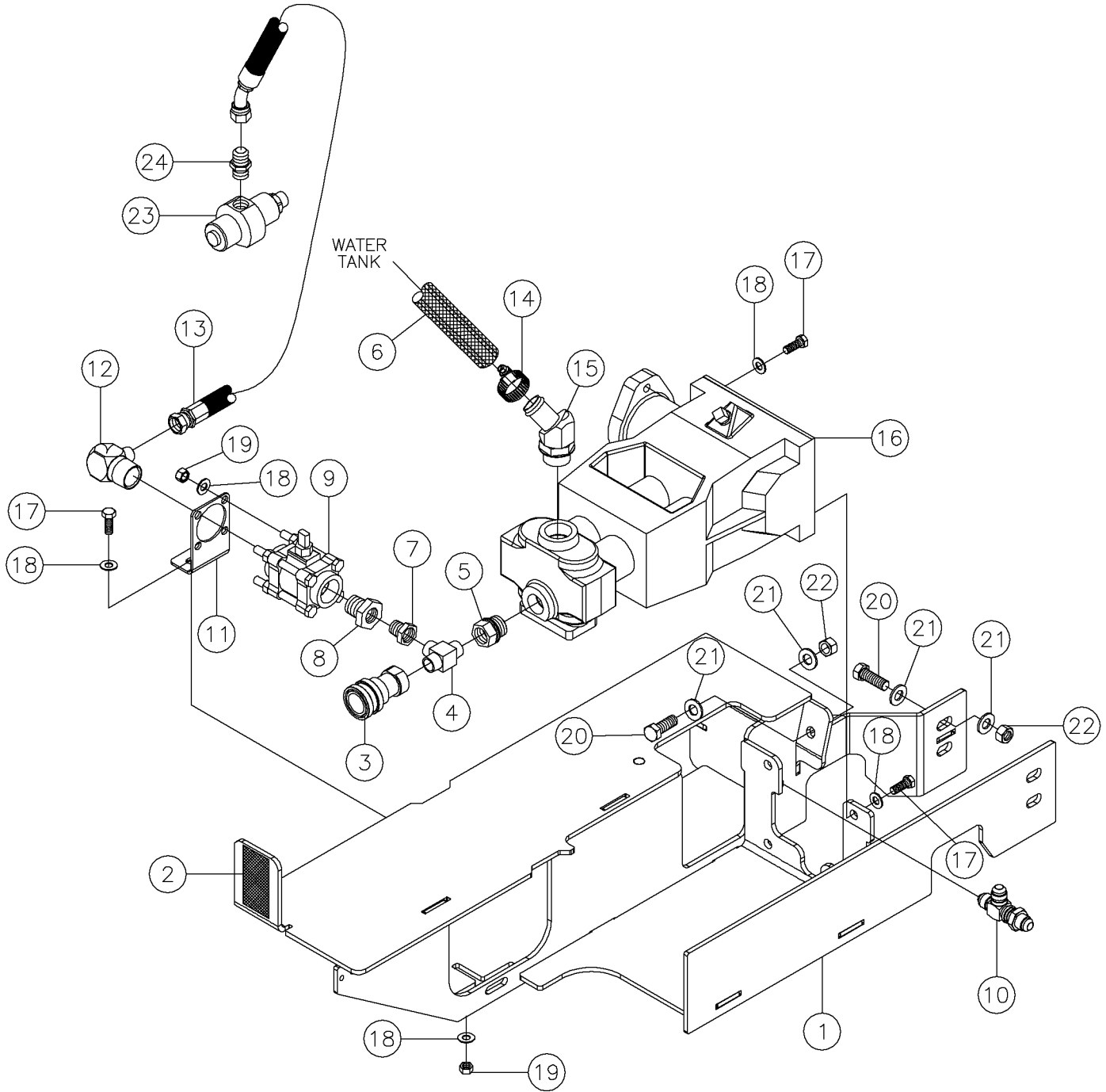
Water Pump Fig 8-4r03



## Water Pump Fig 8-4r03

REF. NO.	*	PART NO.	DESCRIPTION	QTY.	REMARKS
		Revision Date	June, 2007		Added Dust Cap
1		296278512	MOUNT - WATER PUMP	1	
2		7000B304	DECAL - WARNING	1	Domestic
		700IB304	DECAL - WARNING	1	International
3		227235001	COUPLER-1/2"NPT QUICK(FEMALE)	1	
4		130980001	FITTING-1/2 MALE PIPE TEE	1	
5		279335001	FITTING - 10 MOR - 1/2 FNPT	1	
6		905429001	HOSE-1"PVC SUCTION	A/R	P/N Qty. Of 1 = 1 Foot
7		730011	3/4"X1/2" HEX BUSHING STEEL ZNC PLTD	1	
8		730031	1 X 3/4 GALV. BUSHING STEEL	1	
9		278003001	VALVE - 1" 1500 PSI BRASS BALL	1	Breakdown Fig 12-11
10		278866001	FITTING -8 MJIC BULKHEAD RUN TEE	1	
11		296278523	PLATE - VALVE MOUNT	1	
12		294193001	FITTING - 90 - 1" NPT - 8 MJIC	1	
13		296277594	HOSE-HYD-.50X240-8FSJ-ST/45-2000PSI-100R	1	
14		1580005	HOSE CLAMP - 1"	1	
15		115138001	FITTING-16M O'RING X 1"BARB45D	1	
16		296278524	PUMP - 9 GPM HORIZONTAL	1	Breakdown Fig 12-8 And 12-9
17		235727001	BOLT-3/8-16X1 GR8 HEX ZINC PLT	6	
18		235713001	WASHER - FLATSTRL - .38 - .41 X .81 - .06-YA-A325	16	
19		250508001	NUT - 3/8-NC Gr8 TOP LOCK Y/ZINC	5	
20		235721001	BOLT-1/2-13X1 1/2 GR8 ZINC PLT	5	
21		485025	WASHER-1/2 FLAT-HARDENED-YZ	10	
22		250512001	NUT- 1/2 NC Gr8 TOP LOCK Y/ ZINC	5	
23		234744001	FITTING-8M X 8F 90 DEG SWIVEL - NICKEL PLATED	1	
24		53824001	FITTING-#8M O-RING-#8M JIC ST.	1	
25	*	234679001	CAP-DUST	1	

Water Pump Fig 8-4r02

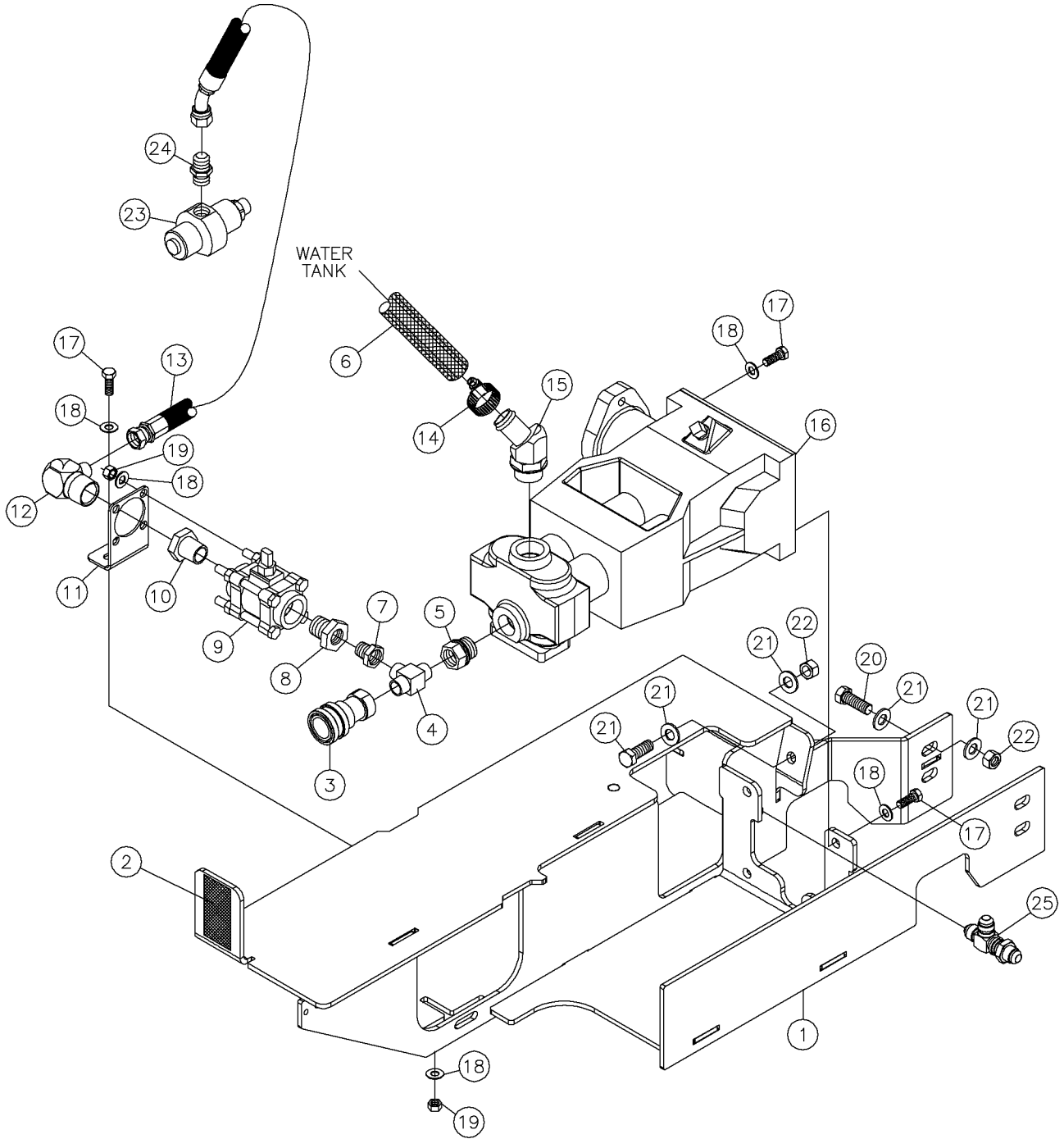




## Water Pump Fig 8-4r02

REF. NO.	*	PART NO.	DESCRIPTION	QTY.	REMARKS
		Revision Date	March, 2006		Update In Illustration & Parts List.
1		296278512	MOUNT - WATER PUMP	1	
2		7000B304	DECAL - WARNING	1	Domestic
		700IB304	DECAL - WARNING	1	International
3		227235001	COUPLER-1/2"NPT QUICK(FEMALE)	1	
4		130980001	FITTING-1/2 MALE PIPE TEE	1	
5		279335001	FITTING - 10 MOR - 1/2 FNPT	1	
6		905429001	HOSE-1"PVC SUCTION	A/R	P/N Qty. Of 1 = 1 Foot
7		730011	3/4"X1/2" HEX BUSHING STEEL ZNC PLTD	1	
8		730031	1 X 3/4 GALV. BUSHING STEEL	1	
9		278003001	VALVE - 1" 1500 PSI BRASS BALL	1	Breakdown Fig 12-11
10		278866001	FITTING -8 MJIC BULKHEAD RUN TEE	1	
11		296278523	PLATE - VALVE MOUNT	1	
12		294193001	FITTING - 90 - 1" NPT - 8 MJIC	1	
13		296277594	HOSE-HYD-.50X240-8FSJ-ST/45-2000PSI-100R	1	
14		1580005	HOSE CLAMP - 1"	1	
15		115138001	FITTING-16M O'RING X 1"BARB45D	1	
16		296278524	PUMP - 9 GPM HORIZONTAL	1	Breakdown Fig 12-8 And 12-9
17		235727001	BOLT-3/8-16X1 GR8 HEX ZINC PLT	6	
18		235713001	WASHER - FLATSTRL - .38 - .41 X .81 - .06-YA-A325	16	
19		250508001	NUT - 3/8-NC Gr8 TOP LOCK Y/ZINC	5	
20		235721001	BOLT-1/2-13X1 1/2 GR8 ZINC PLT	5	
21		485025	WASHER-1/2 FLAT-HARDENED-YZ	10	
22		250512001	NUT- 1/2 NC Gr8 TOP LOCK Y/ ZINC	5	
23		234744001	FITTING-8M X 8F 90 DEG SWIVEL - NICKEL PLATED	1	
24		53824001	FITTING-#8M O-RING-#8M JIC ST.	1	

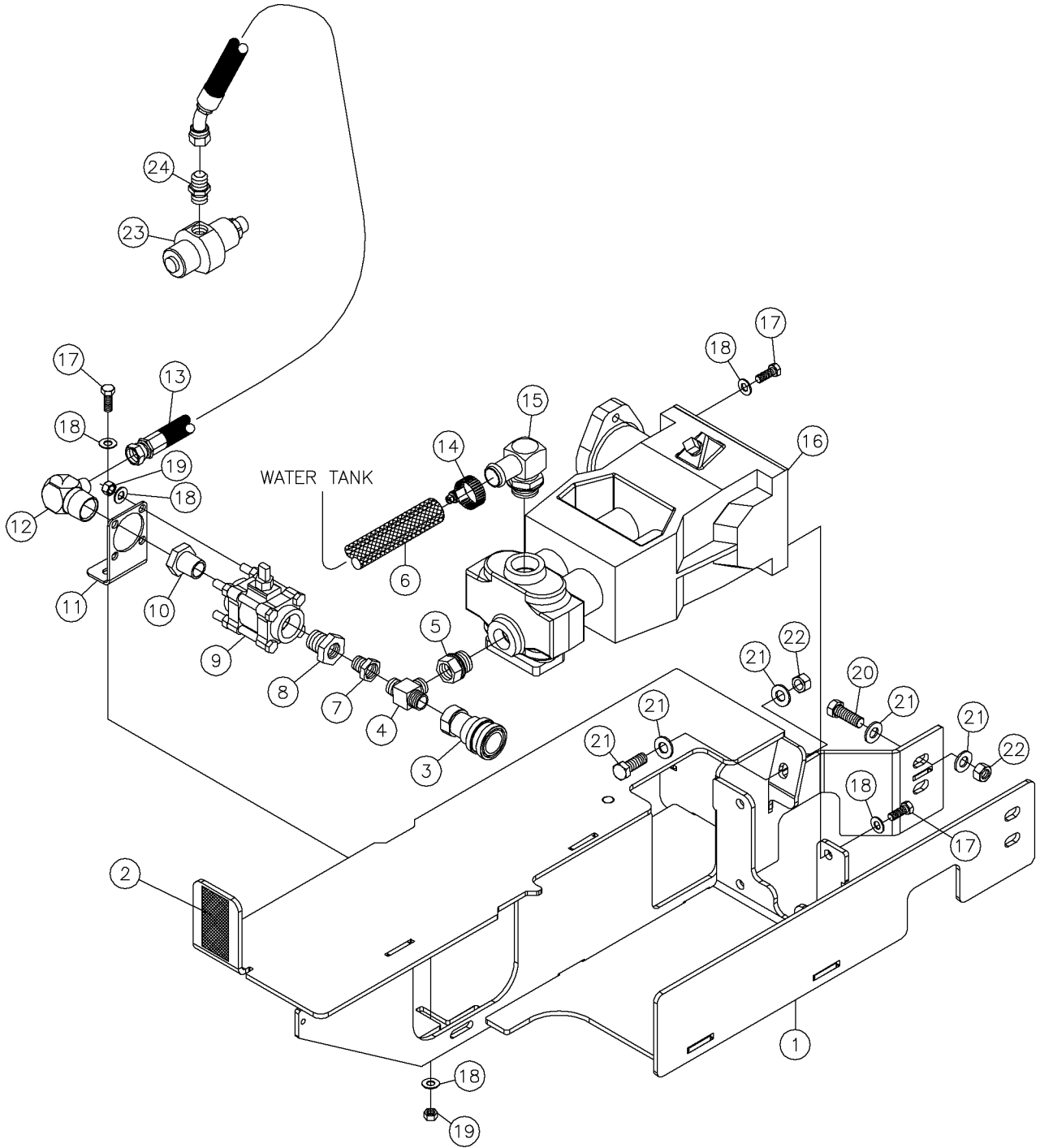
Water Pump Fig 8-4r01



## Water Pump Fig 8-4r01

REF. NO.	*	PART NO.	DESCRIPTION	QTY.	REMARKS
		Revision Date	March, 2005		Update In Illustration & Parts List.
1		296278512	MOUNT - WATER PUMP	1	
2		7000B304	DECAL - WARNING	1	
		700IB304	DECAL - WARNING	1	
3		227235001	COUPLER-1/2"NPT QUICK(FEMALE)	1	
4		130980001	FITTING-1/2 MALE PIPE TEE	1	
5		279335001	FITTING - 10 MOR - 1/2 FNPT	1	
6		905429001	HOSE-1"PVC SUCTION	A/R	P/N Qty. Of 1 = 1 Foot
7		730011	3/4"X1/2" HEX BUSHING STEEL ZNC PLTD	1	
8		730017	1" X 3/4" HEX BUSHING STEEL	1	
9		278003001	VALVE - 1" 1500 PSI BRASS BALL	1	Breakdown Fig 12-11
10		730015	1" X 1/2" HEX BUSHING STEEL	1	
11		296278523	PLATE - VALVE MOUNT	1	
12		294193001	FITTING - 90 - 1" NPT - 8 MJIC	1	
13		296277594	HOSE-HYD-.50X240-8FSJ-ST/45-2000PSI-100R	1	
14		1580005	HOSE CLAMP - 1"	1	
15		115138001	FITTING-16M O'RING X 1"BARB45D	1	
16		296278524	PUMP - 9 GPM HORIZONTAL	1	Breakdown Fig 12-8 And 12-9
17		235727001	BOLT-3/8-16X1 GR8 HEX ZINC PLT	6	
18		235713001	WASHER - FLATSTRL - .38 - .41 X .81 - .06-YA-A325	16	
19		250508001	NUT - 3/8-NC Gr8 TOP LOCK Y/ZINC	5	
20		235721001	BOLT-1/2-13X1 1/2 GR8 ZINC PLT	5	
21		485025	WASHER-1/2 FLAT-HARDENED-YZ	10	
22		250512001	NUT- 1/2 NC Gr8 TOP LOCK Y/ ZINC	5	
23		234744001	FITTING-8M X 8F 90 DEG SWIVEL - NICKEL PLATED	1	
24		53824001	FITTING-#8M O-RING-#8M JIC ST.	1	
25		278866001	FITTING -8 MJIC BULKHEAD RUN TEE	1	

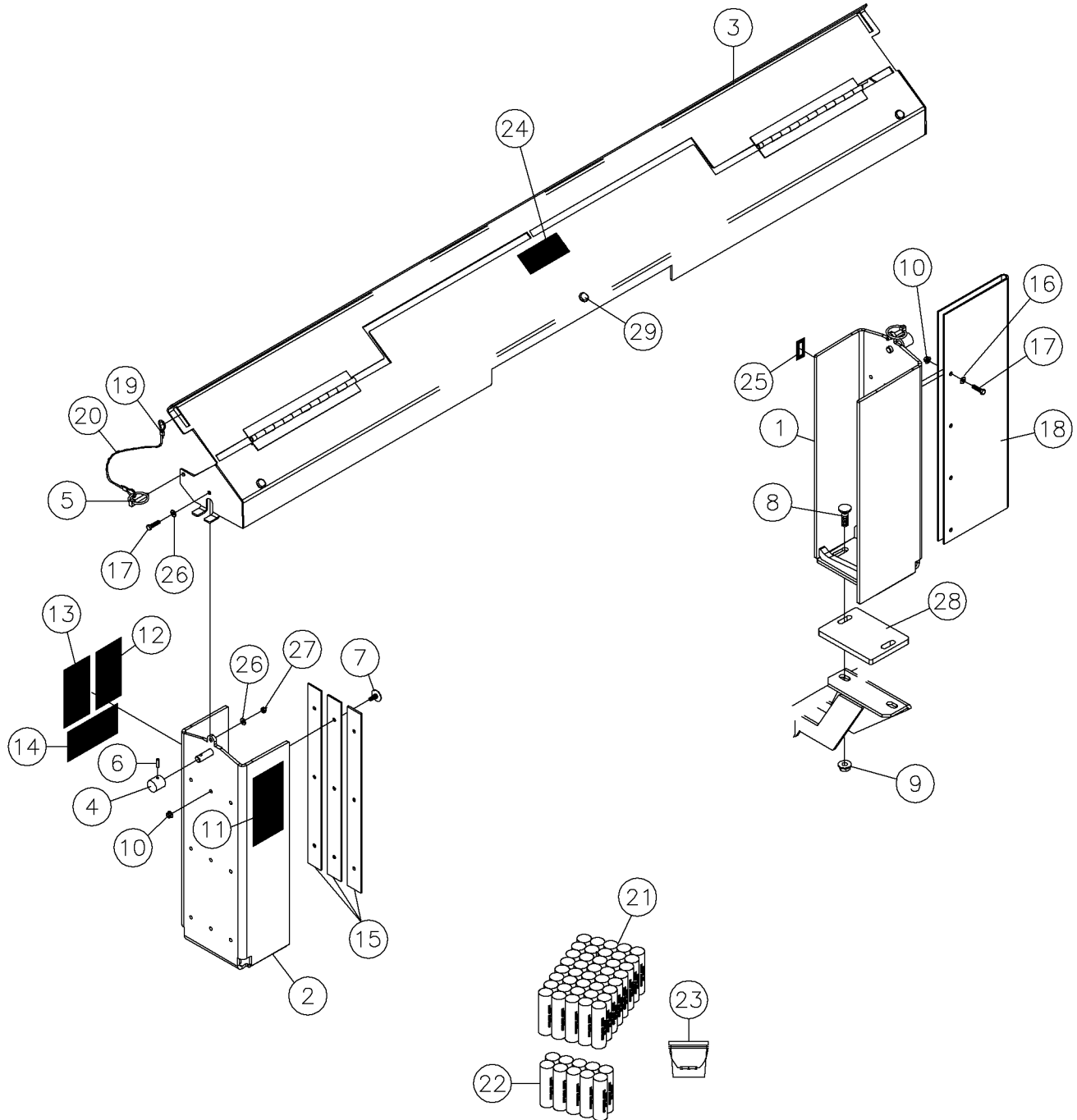
Water Pump Fig 8-4



## Water Pump Fig 8-4

REF. NO.	*	PART NO.	DESCRIPTION	QTY.	REMARKS
1		296278512	MOUNT - WATER PUMP	1	
2		7000B304	DECAL - WARNING	1	
		700IB304	DECAL - WARNING	1	
3		227235001	COUPLER-1/2"NPT QUICK(FEMALE)	1	
4		130980001	FITTING-1/2 MALE PIPE TEE	1	
5		279335001	FITTING - 10 MOR - 1/2 FNPT	1	
6		905429001	HOSE-1"PVC SUCTION	A/R	P/N Qty. Of 1 = 1 Foot
7		730011	3/4"X1/2" HEX BUSHING STEEL ZNC PLTD	1	
8		730017	1" X 3/4" HEX BUSHING STEEL REF T06438	1	
9		278003001	VALVE - 1" 1500 PSI BRASS BALL	1	Breakdown Fig 12-11
10		730015	1" X 1/2" HEX BUSHING STEEL REF T05824	1	
11		296278523	PLATE - VALVE MOUNT	1	
12		294193001	FITTING - 90 - 1" NPT - 8 MJIC	1	
13		296277594	HOSE-HYD-.50X240-8FSJ-ST/45-2000PSI-100R	1	
14		1580005	HOSE CLAMP - 1" REF T04182	1	
15		100000001	FITTING-16MORINGX1"BEADED90DEG	1	
16		284507001	PUMP - 9 GPM WATER HORIZONTAL-8@86490	1	Breakdown Fig 12-8 And 12-9
17		235727001	BOLT-3/8-16X1 GR8 HEX ZINC PLT	6	
18		235713001	WASHER - FLATSTRL - .38 - .41 X .81 - .06-YA-A325	16	
19		250508001	NUT - 3/8-NC Gr8 TOP LOCK Y/ZINC	5	
20		235721001	BOLT-1/2-13X1 1/2 GR8 ZINC PLT	5	
21		485025	WASHER-1/2 FLAT-HARDENED-YZ	10	
22		250512001	NUT- 1/2 NC Gr8 TOP LOCK Y/ ZINC	5	
23		234744001	FITTING-8M X 8F 90 DEG SWIVEL - NICKEL PLATED	1	
24		53824001	FITTING-#8M O-RING-#8M JIC ST.	1	

Rod Box Fig 9-1r02



## Rod Box Fig 9-1r02

REF. NO.	*	PART NO.	DESCRIPTION	QTY.	REMARKS
		Revision Date	November, 2006		Hardware Changes
1		296276613	BOX - ROD END	1	
2		296276599	BOX - ROD END	1	
3		296278529	COVER - ROD BOX	1	
4		296276595	CAP - PIN RETAINER	2	
5		1797003	PIN-QUICK ATTACHMENT LATCH 1/4"-XCX 6M DIA"	2	
6		1788041	PIN EXPANSION 3/16 X 3/4 ZINC	2	
7	*	373006	1/4"-20X3/4"GD#5CARRIAGE BOLT	9	
8	*	377012	BOLT-1/2-13X1 1/4"GD#5CARRIAGE	4	
9		1809001	NUT-1/2 SM FLGE TOP LOCK	4	
10		405001	NUT-1/4 NC FLG WHIZ LOCK	13	
11		7000A627	DECAL-DANGER	1	Domestic
		700IA627	DECAL-DANGER	1	International
12		7000A394	DECAL - WARNING	1	Domestic
		700IA394	DECAL - WARNING	1	International
13		7000B811	DECAL - DANGER - RLE - DOMESTIC	1	Domestic
		700IB811	DECAL - DANGER - RLE INTERNATIONAL	1	International
14		7000A576	DECAL-DANGER	1	Domestic
		700IA576	DECAL-DANGER	1	International
15		296277620	BAR - PLASTIC DRAINAGE	3	
16		510337603	WASHER-FLATSTD-.25-.31X.75-.07-YZ	4	
17		235735001	BOLT-1/4-20X1 GR8 HEX ZNC PLTD	6	
18		296278520	GUARD - ROD BOX	1	
19		1838001	CONNECTOR-WIRE (ETC)	4	
20		1830005	CABLE-3/32"NYLON COATED 20"	2	
21		275928982	THRD CMPND - CASE OF 4 / 10 PACKS	A/R	
22		275927982	THRD CMPND - PLUSCO 135 - 10 PACK	A/R	
23		235983001	LUBRICANT - THREAD 1 GALLON	A/R	
24		7000C340	DECAL - ROD BOX	1	
25		2326142	DECAL-INDICATOR	A/R	P/N Qty. Of 1 = 1 Foot
26		252251001	WASHER-1/4 SAE FLAT ZP	4	
27		235732001	NUT - HEX - .25 - 20 - GR8 - YZ	2	
28		296277706	PLATE - ROD BOX SPACER RUBBER TRACKS	2	
29		289190001	BUMPER - RUBBER SELF ADHESIVE 3/4" DIA.	3	

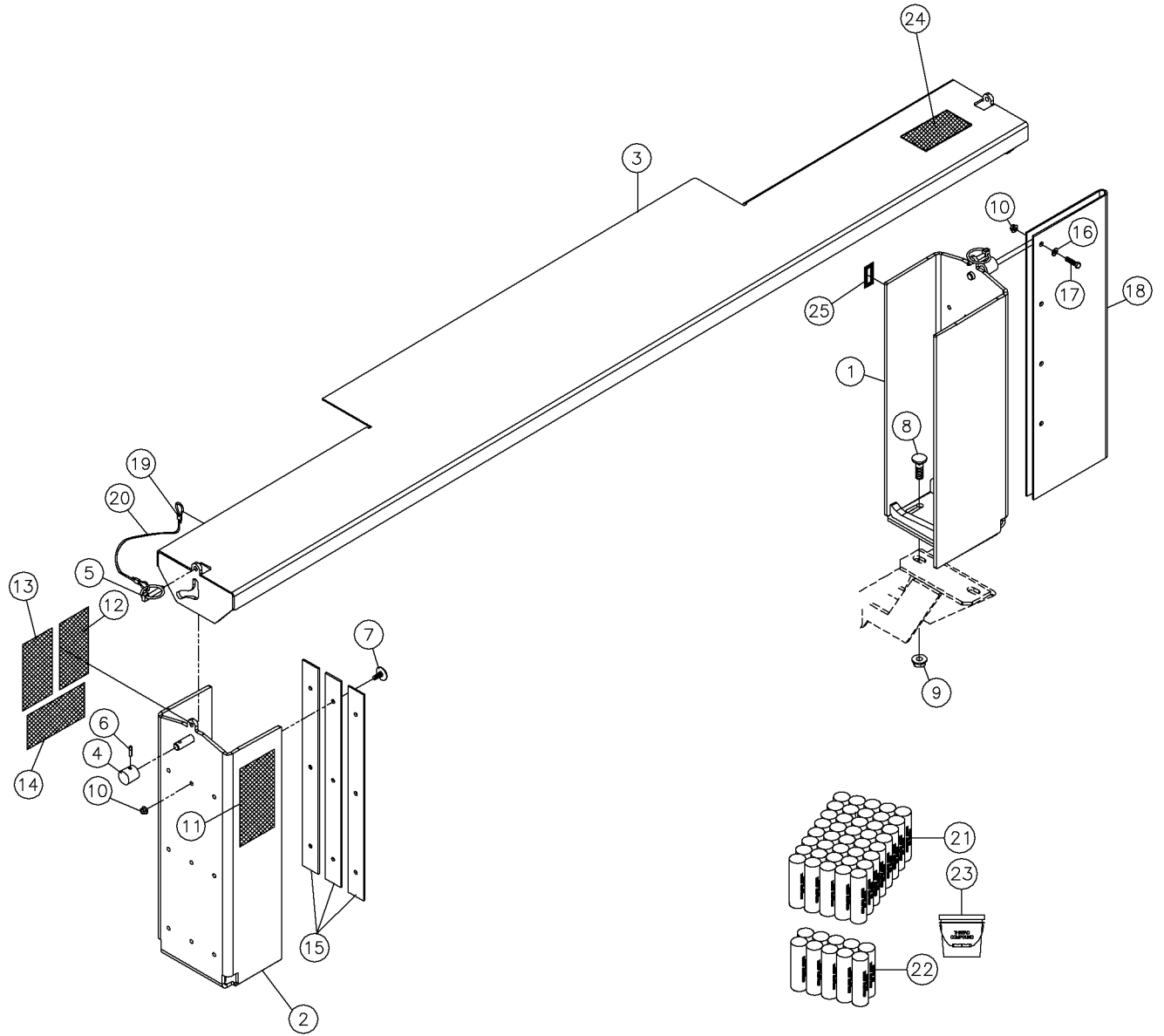




## Rod Box Fig 9-1r01

REF. NO.	*	PART NO.	DESCRIPTION	QTY.	REMARKS
		Revision Date	March, 2005		Update In Illustration & Parts List.
1		296276613	BOX - ROD END	1	
2		296276599	BOX - ROD END	1	
3		296278529	COVER - ROD BOX	1	
4		296276595	CAP - PIN RETAINER	2	
5		1797003	PIN-QUICK ATTACHMENT LATCH 1/4"-XCX 6M DIA"	2	
6		1788041	PIN EXPANSION 3/16 X 3/4 ZINC	2	
7		113551006	1/4-20X3/4 ELEVATOR BOLT	9	
8		377014	BOLT-1/2-13X1 1/2"GD#5CARRIAGE	4	
9		1809001	NUT-1/2 SM FLGE TOP LOCK	4	
10		405001	NUT-1/4 NC FLG WHIZ LOCK	13	
11		7000A627	DECAL-DANGER	1	Domestic
		700IA627	DECAL-DANGER	1	International
12		7000A394	DECAL - WARNING	1	Domestic
		700IA394	DECAL - WARNING	1	International
13		7000B811	DECAL - DANGER - RLE - DOMESTIC	1	Domestic
		700IB811	DECAL - DANGER - RLE INTERNATIONAL	1	International
14		7000A576	DECAL-DANGER	1	Domestic
		700IA576	DECAL-DANGER	1	International
15		296277620	BAR - PLASTIC DRAINAGE	3	
16		510337603	WASHER-FLATSTD-.25-.31X.75-.07-YZ	4	
17		235735001	BOLT-1/4-20X1 GR8 HEX ZNC PLTD	6	
18		296278520	GUARD - ROD BOX	1	
19		1838001	CONNECTOR-WIRE (ETC)	4	
20		1830005	CABLE-3/32"NYLON COATED 20"	2	
21		275928982	THRD CMPND - CASE OF 4 / 10 PACKS	A/R	
22		275927982	THRD CMPND - PLUSCO 135 - 10 PACK	A/R	
23		235983001	LUBRICANT - THREAD 1 GALLON	A/R	
24		7000C340	DECAL - ROD BOX	1	
25		2326142	DECAL-INDICATOR	A/R	P/N Qty. Of 1 = 1 Foot
26		252251001	WASHER-1/4 SAE FLAT ZP	4	
27		235732001	NUT - HEX - .25 - 20 - GR8 - YZ	2	
28		296277706	PLATE - ROD BOX SPACER RUBBER TRACKS	2	
29		289190001	BUMPER - RUBBER SELF ADHESIVE 3/4" DIA.	3	

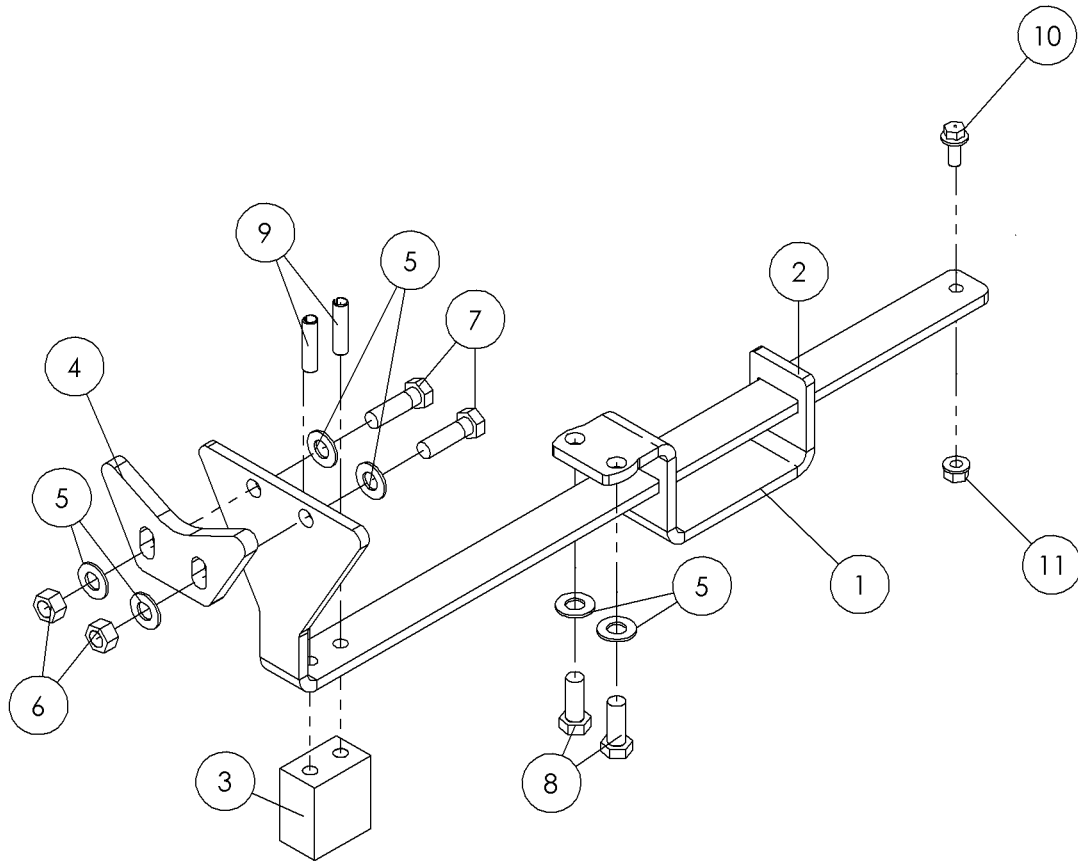
Rod Box Fig 9-1



## Rod Box Fig 9-1

REF. NO.	*	PART NO.	DESCRIPTION	QTY.	REMARKS
1		296276613	BOX - ROD END	1	
2		296276599	BOX - ROD END	1	
3		296276596	LID - ROD RACK	1	
4		296276595	CAP - PIN RETAINER	2	
5		1797003	PIN-QUICK ATTACHMENT LATCH 1/4"-XCX 6M DIA"	2	
6		1788041	PIN EXPANSION 3/16 X 3/4 ZINC	2	
7		543007	1/4-20X7/8"ELEVATOR BOLT W/1/8	9	
8		377012	BOLT-1/2-13X1 1/4"GD#5CARRIAGE	4	
9		1809001	NUT-1/2 SM FLGE TOP LOCK	4	
10		405001	NUT-1/4 NC FLG WHIZ LOCK	13	
11		7000A627	DECAL-DANGER	1	Domestic
		700IA627	DECAL-DANGER	1	International
12		7000A394	DECAL - WARNING	1	Domestic
		700IA394	DECAL - WARNING	1	International
13		7000B811	DECAL - DANGER - RLE - DOMESTIC	1	Domestic
		700IB811	DECAL - DANGER - RLE INTERNATIONAL	1	International
14		7000A576	DECAL-DANGER	1	Domestic
		700IA576	DECAL-DANGER	1	International
15		296277620	BAR - PLASTIC DRAINAGE	3	
16		510337603	WASHER-FLATSTD-.25-.31X.75-.07-YZ	4	
17		235735001	BOLT-1/4-20X1 GR8 HEX ZNC PLTD	4	
18		296278520	GUARD - ROD BOX	1	
19		1838001	CONNECTOR-WIRE (ETC)	4	
20		1830005	CABLE-3/32"NYLON COATED 20"	2	
21		275928982	THRD CMPND - CASE OF 4 / 10 PACKS	A/R	
22		275927982	THRD CMPND - PLUSCO 135 - 10 PACK	A/R	
23		235983001	LUBRICANT - THREAD 1 GALLON	A/R	
24		7000C340	DECAL - ROD BOX	1	
25		2326142	DECAL-INDICATOR	A/R	P/N Qty. Of 1 = 1 Foot

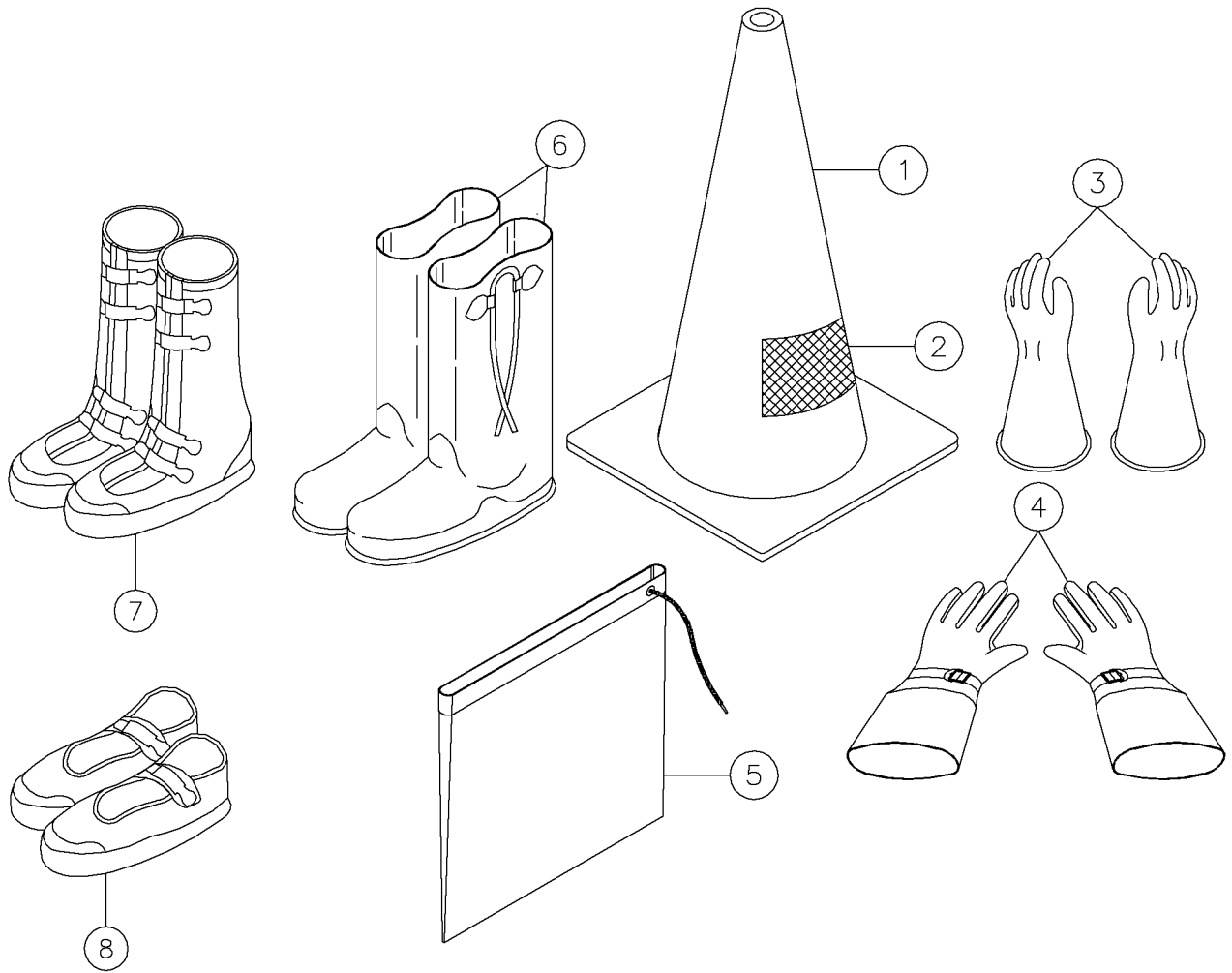
Rod Cradle (S/N 692-) Fig 9-2



## Rod Cradle (S/N 692-) Fig 9-2

REF. NO.	*	PART NO.	DESCRIPTION	QTY.	REMARKS
		Revision Date	August, 2007		Addition To Manual
1		296281084	PLATE - MOUNT CRADLE SLIDE	1	
2		296281085	PLATE - CRADLE SLIDE	1	
3		296281086	PLASTIC - SUPPORT CRADLE SLIDE	1	
4		296281087	PLATE - ROD CRADLE	1	
5		235713001	WASHER - FLATSTRL - .38 - .41 X .81 - .06-YA-A325	6	
6		235725001	NUT - HEX - .38 - 16 - GR8 - YZ	2	
7		235736001	BOLT-3/8-16X1 1/4 ZYC	2	
8		235727001	SCREW-HCS-.38-16X1.00-GR8-YZ	2	
9		1788025	PIN - EXPANSION 5/16 X 1 1/4	2	
10		296300752	SCREW-HFS-.25-20X.625-GR8-YZ	1	
11		296300848	NUT-HEXFLGTL-.25-20-G-YZ	1	

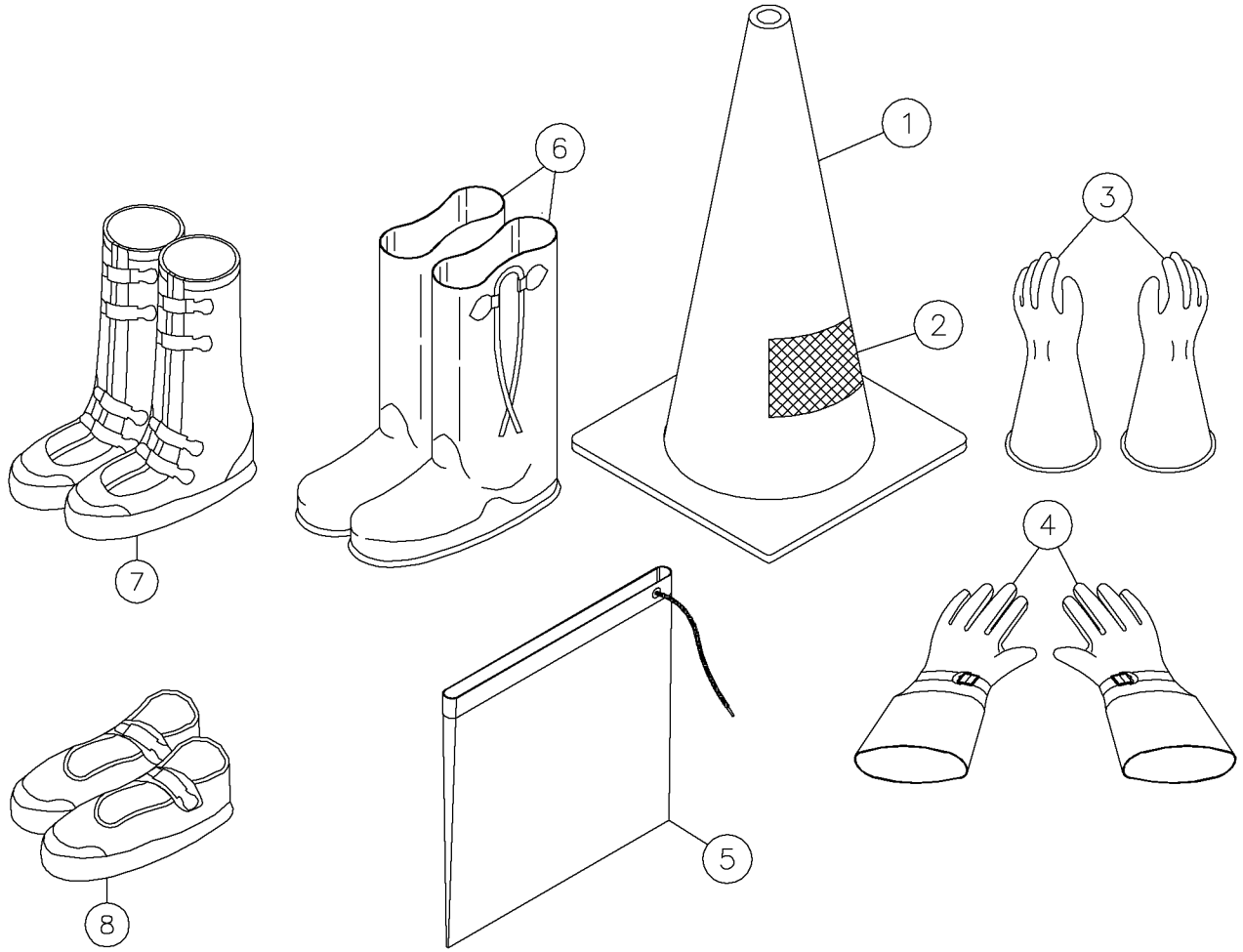
Safety Features Gloves-Boots-Cones Fig 10-1r01



## Safety Features Gloves-Boots-Cones Fig 10-1r01

REF. NO.	*	PART NO.	DESCRIPTION	QTY.	REMARKS
		Revision Date	March, 2006		Update In Parts List.
1		904541001	CONES-ORANGE PVC	4	
2		70000530	DECAL-DANGER	4	Domestic
		7000I530	DECAL-WARNING (NAVIGATORS)	4	International
3		210782001	GLOVES-SIZE 9 RUBBER INSULATE	1	
		210782005	GLOVES-SIZE 9 1/2 RUBBER INSUL (PAIR)	1	
		210782003	GLOVES-SIZE 10 RUBBER INS (PAIR)	1	
		210782007	GLOVE-SIZE 11 RUBBER INSULATED	1	
		210782009	GLOVE-SIZE 12 RUBBER INSULATED	1	
4		210783001	GLOVES-SIZE 9 LEATHER PROTECT (PAIR)	1	
		210783005	GLOVES SIZE 9 1/2 LEATHER PROT (PAIR)	1	
		210783003	GLOVES-SIZE 10 LEATHER PROTECT (PAIR)	1	
		210783007	GLOVE-SIZE 11 LEATHER PROTECT	1	
		210783009	GLOVE-SIZE 12 LEATHER PROTECT	1	
		210781001	GLOVE KIT-SIZE 9	1	
		224979001	GLOVE KIT-SIZE 9 1/2	1	
		210785001	GLOVE KIT-SIZE 10 (PAIR)	1	
		224990001	GLOVE KIT-SIZE 11	1	
		224991001	GLOVE KIT-SIZE 12	1	
5		210784001	BAG-GLOVE	1	
6		210780009	BOOTS-SIZE 9 OVER-THE-SHOE	1	
		210780001	BOOTS-SIZE 10 OVER-THE-SHOE	1	
		210780003	BOOTS-SIZE 11 OVER-THE-SHOE	1	
		210780005	BOOTS-SIZE 12 OVER-THE-SHOE	1	
		210780007	BOOTS-SIZE 13 OVER-THE-SHOE	1	
		210780011	BOOTS-SIZE 14 OVER-THE-SHOE	1	
		210780013	BOOTS-SIZE 15 OVER-THE-SHOE	1	
		210780015	BOOTS-SIZE 16 OVER-THE-SHOE	1	
7		279118001	BOOT - 4 BUCKLE SIZE 9	1	
		279118002	BOOT-4 BUCKLE SIZE 10	1	
		279118003	BOOT- 4 BUCKLE SIZE 11	1	
		279118004	BOOT - 4 BUCKLE SIZE 12	1	
		279118005	BOOT - 4 BUCKLE SIZE 13	1	
		279118006	BOOT - 4 BUCKLE SIZE 14	1	
		279118007	BOOT - 4 BUCKLE SIZE 15	1	
		279118008	BOOT - 4 BUCKLE SIZE 16	1	
8		279119001	BOOT - ANKLE RUBBER SIZE9	1	
		279119002	BOOT - ANKLE RUBBER SIZE 10	1	
		279119003	BOOT - ANKLE RUBBER SIZE 11	1	
		279119004	BOOT - ANKLE RUBBER SIZE 12	1	
		279119005	BOOT - ANKLE RUBBER SIZE 13	1	
		279119006	BOOT - ANKLE RUBBER SIZE 14	1	
		279119007	BOOT - ANKLE RUBBER SIZE 15	1	
		279119008	BOOT - ANKLE RUBBER SIZE 16	1	

Safety Features Gloves-Boots-Cones Fig 10-1

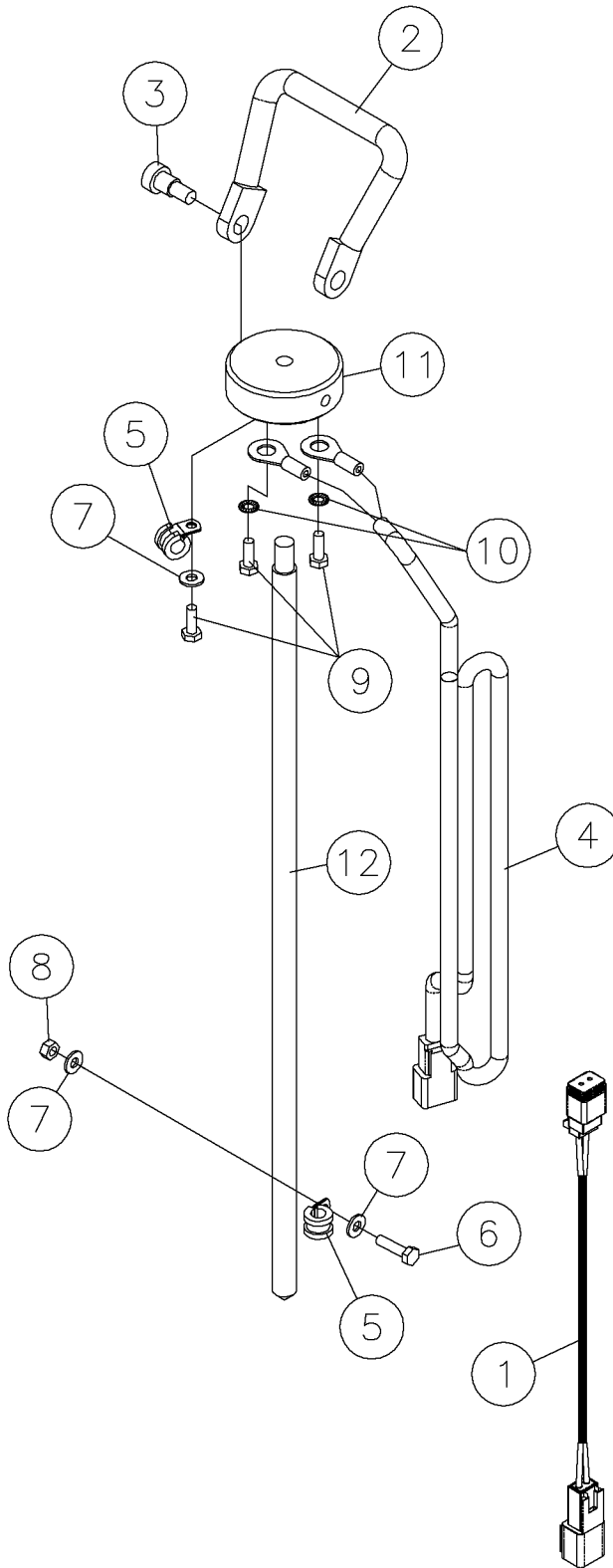




## Safety Features Gloves-Boots-Cones Fig 10-1

REF. NO.	*	PART NO.	DESCRIPTION	QTY.	REMARKS
1		904541001	CONES-ORANGE PVC	4	
2		70000530	DECAL-DANGER	4	
		70001530	DECAL-WARNING (INTERNATIONAL)	4	International
3		210782001	GLOVES-SIZE 9 RUBBER INSULATE	1 PAIR	
		210782005	GLOVES-SIZE 9 1/2 RUBBER INSUL	1 PAIR	
		210782003	GLOVES-SIZE 10 RUBBER INSULATE	1 PAIR	
		210782007	GLOVE-SIZE 11 RUBBER INSULATED	1 PAIR	
		210782009	GLOVE-SIZE 12 RUBBER INSULATED	1 PAIR	
4		210783001	GLOVES-SIZE 9 LEATHER PROTECT	1 PAIR	
		210783005	GLOVES SIZE 9 1/2 LEATHER PROT	1 PAIR	
		210783003	GLOVES-SIZE 10 LEATHER PROTECT	1 PAIR	
		210783007	GLOVE-SIZE 11 LEATHER PROTECT	1 PAIR	
		210783009	GLOVE-SIZE 12 LEATHER PROTECT	1 PAIR	
		210781001	GLOVE KIT-SIZE 9	1	Inc 1 Pair Of Rubber Gloves, 1Pair Of Leather Gloves & 1 Gove bag
		224979001	GLOVE KIT-SIZE 9 1/2	1	Inc 1 Pair Of Rubber Gloves, 1Pair Of Leather Gloves & 1 Gove bag
		210785001	GLOVE KIT-SIZE 10	1	Inc 1 Pair Of Rubber Gloves, 1Pair Of Leather Gloves & 1 Gove bag
		554990001	GLOVE KIT-SIZE 11	1	Inc 1 Pair Of Rubber Gloves, 1Pair Of Leather Gloves & 1 Gove bag
		224991001	GLOVE KIT-SIZE 12	1	Inc 1 Pair Of Rubber Gloves, 1Pair Of Leather Gloves & 1 Gove bag
5		210784001	BAG-GLOVE	1	
6		210780009	BOOTS-SIZE 9 OVER-THE-SHOE	1 PAIR	
		210780001	BOOTS-SIZE 10 OVER-THE-SHOE	1 PAIR	
		210780003	BOOTS-SIZE 11 OVER-THE-SHOE	1 PAIR	
		210780005	BOOTS-SIZE 12 OVER-THE-SHOE	1 PAIR	
		210780007	BOOTS-SIZE 13 OVER-THE-SHOE	1 PAIR	
		210780011	BOOTS-SIZE 14 OVER-THE-SHOE	1 PAIR	
		210780013	BOOTS-SIZE 15 OVER-THE-SHOE	1 PAIR	
		210780015	*BOOTS SIZE 16 OVER-THE-SHOE	1 PAIR	
7		279118001	*BOOT-4 BUCKLE SIZE 9	1 PAIR	
		279118002	*BOOT-4 BUCKLE SIZE 10	1 PAIR	
		279118003	*BOOT-4 BUCKLE SIZE 11	1 PAIR	
		279118004	*BOOT-4 BUCKLE SIZE 12	1 PAIR	
		279118005	*BOOT-4 BUCKLE SIZE 13	1 PAIR	
		279118006	*BOOT-4 BUCKLE SIZE 14	1 PAIR	
		279118007	*BOOT-4 BUCKLE SIZE 15	1 PAIR	
		279118008	*BOOT-4 BUCKLE SIZE 16	1 PAIR	
8		279119001	*BOOT-ANKLE RUBBER SIZE 9	1 PAIR	
		279119002	*BOOT-ANKLE RUBBER SIZE 10	1 PAIR	
		279119003	*BOOT-ANKLE RUBBER SIZE 11	1 PAIR	
		279119004	*BOOT-ANKLE RUBBER SIZE 12	1 PAIR	
		8279119005	*BOOT-ANKLE RUBBER SIZE 13	1 PAIR	
		279119006	*BOOT-ANKLE RUBBER SIZE 14	1 PAIR	
		279119007	*BOOT-ANKLE RUBBER SIZE 15	1 PAIR	
		279119008	*BOOT-ANKLE RUBBER SIZE 16	1 PAIR	

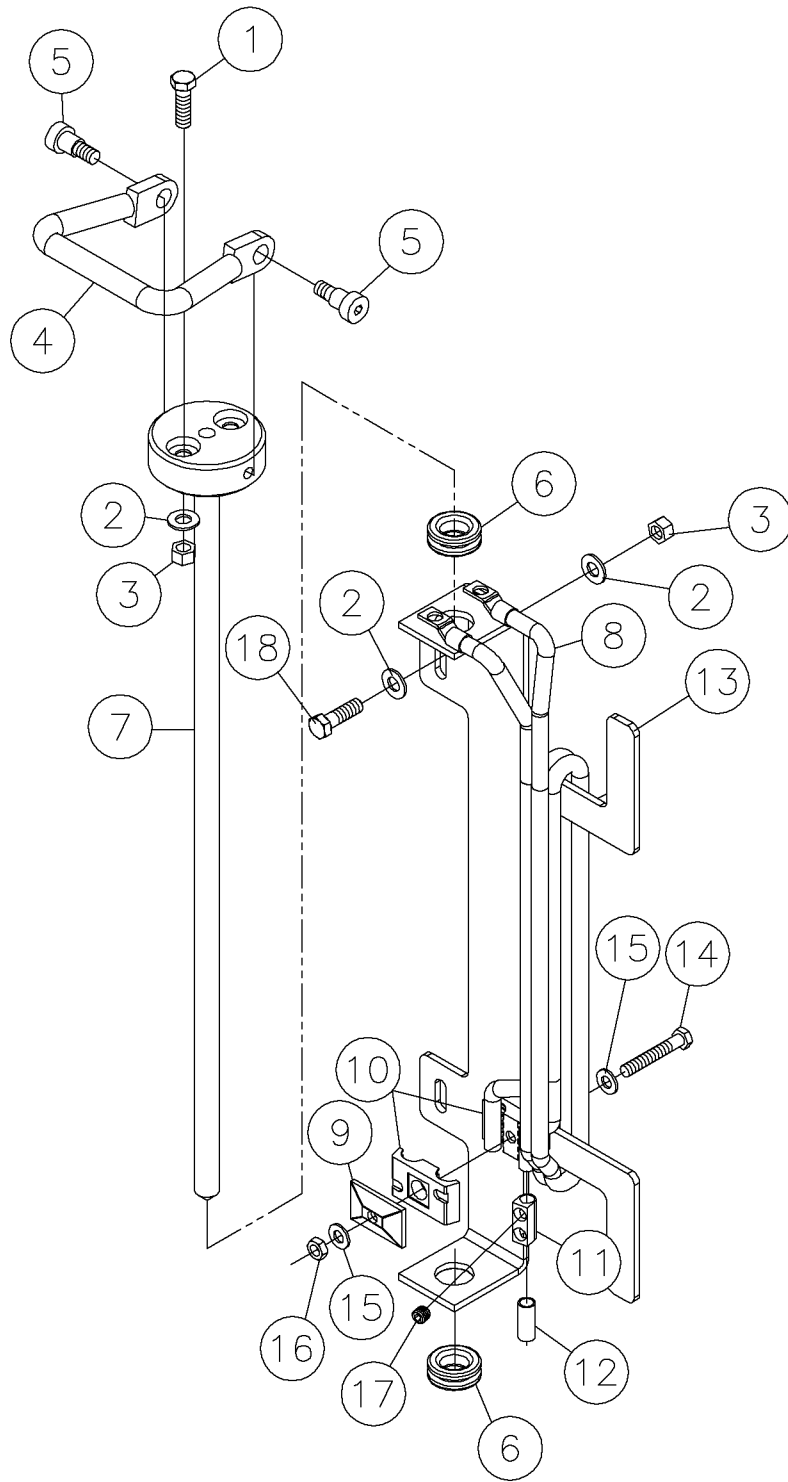
Voltage Stake Assembly Fig 10-2r01



## Voltage Stake Assembly Fig 10-2r01

REF. NO.	*	PART NO.	DESCRIPTION	QTY.	REMARKS
		Revision Date	March, 2005		Update In Illustration & Parts List.
1		296275120	HARNESS-ADAPTOR VOLTAGE STAKE	1	
2		234164001	HANDLE-VOLTAGE STAKE	1	
3		240056001	SCREW-SHSS-.50X.50-.38-16THD-CZ	2	
4		296275117	HARNESS-VOLTAGE STAKE	1	
5		296275118	CLAMP - #8	2	
6		235735001	BOLT-1/4-20X1 GR8 HEX ZNC PLTD	1	
7		510337603	WASHER-FLATSTD-.25-.31X.75-.07-YZ	3	
8		235732001	NUT - HEX - .25 - 20 - GR8 - YZ	1	
9		235734001	BOLT-1/4-20X3/4 GR8 ZINC PLTD	3	
10		481013	WASHER-1/4 EST. STAR	2	
11		296275107	HEAD - VOLTAGE STAKE	1	
12		904155001	VOLTAGE STAKE	1	

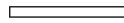





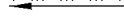
Voltage Stake Assembly Fig 10-2

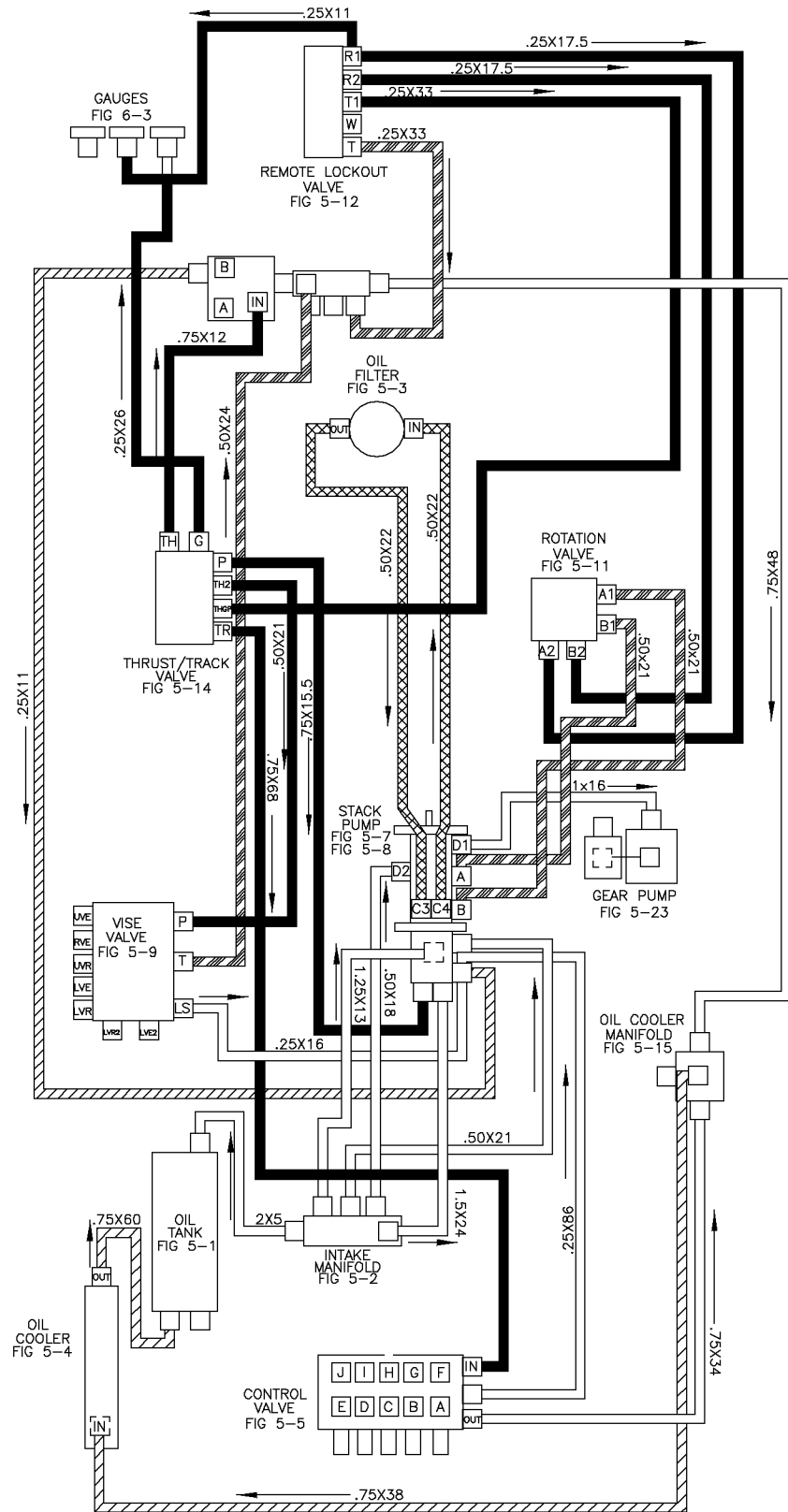


## Voltage Stake Assembly Fig 10-2

REF. NO.	*	PART NO.	DESCRIPTION	QTY.	REMARKS
1		235736001	BOLT-3/8-16X1 1/4 ZINC PLTD	2	
2		235713001	WASHER - FLATSTRL - .38 - .41 X .81 - .06-YA-A325	8	
3		235725001	NUT - HEX - .38 - 16 - GR8 - YZ	4	
4		234164001	HANDLE-VOLTAGE STAKE	1	
5		240056001	SCREW-SHSS-.50X.50-.38-16THD-CZ	2	
6		1865043	GROMMET-.75IDX1.38OD-.19GROOVE	2	
7		234167001	STAKE-VOLTAGE	1	
8		282078001	CABLE - 6/2GA - 23 FT W/ LUGS	1	
9		67846003	PLATE-TWIN COVER	1	
10		900035005	CLAMP-3/8"DOUBLE HOSE	1	
11		904355001	CONNECTOR	2	
12		208065001	SHRINK TUBE-3/4ID COMMERCL GRD	A/R	P/N Qty. Of 1 = 1 Foot
13		296277512	PLATE - VOLTAGE STAKE	1	
14		238211001	BOLT 5/16-18 X 2 Gr8 TL ZINC YC	1	
15		235714001	WASHER - FLATSTRL - .31 - .34 X .69 - .06-YZ-A325	2	
16		235741001	NUT - HEX - .31 - 18 - GR8 - YZ	1	
17		526005	SSS-3/8-16X3/8	4	
18		235727001	BOLT-3/8-16X1 GR8 HEX ZINC PLT	2	

Implement Fig 11-1r02

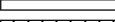






-  SUCTION LINE
-  RETURN LINE
-  PRESSURE/RETURN LINE
-  PRESSURE LINE
-  CHARGE PRESSURE LINE
-  LOAD SENSING LINE
-  DIRECTION OF OIL FLOW

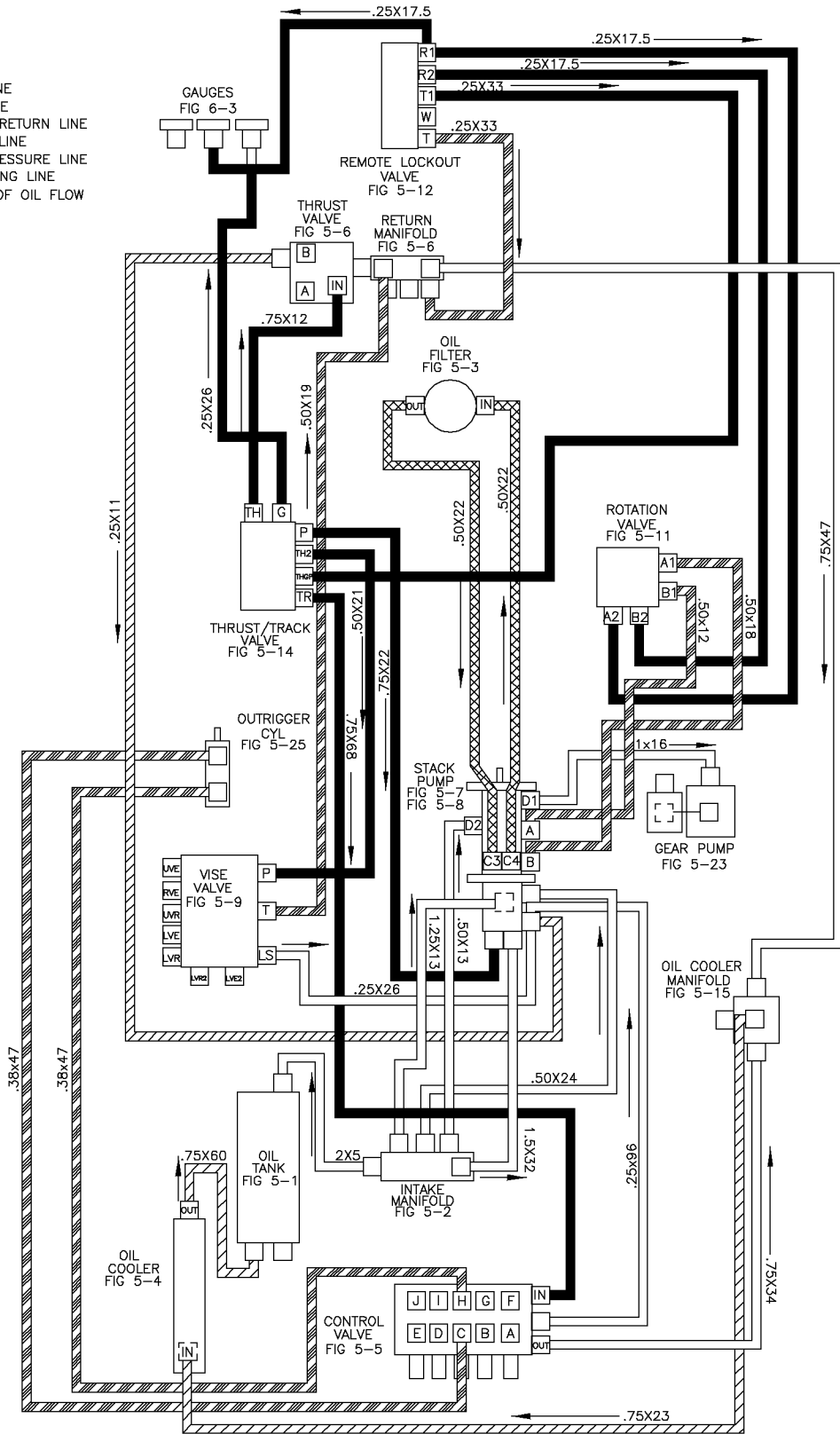


Implement Fig 11-1r02

REF. NO.	*	PART NO.	DESCRIPTION	QTY.	REMARKS
		Revision Date	October, 2007		Change Hose Length
			Implement Hyd Location Diagram		

Implement Fig 11-1r01

-  SUCTION LINE
-  RETURN LINE
-  PRESSURE/RETURN LINE
-  PRESSURE LINE
-  CHARGE PRESSURE LINE
-  LOAD SENSING LINE
-  DIRECTION OF OIL FLOW

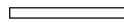
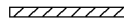




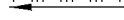


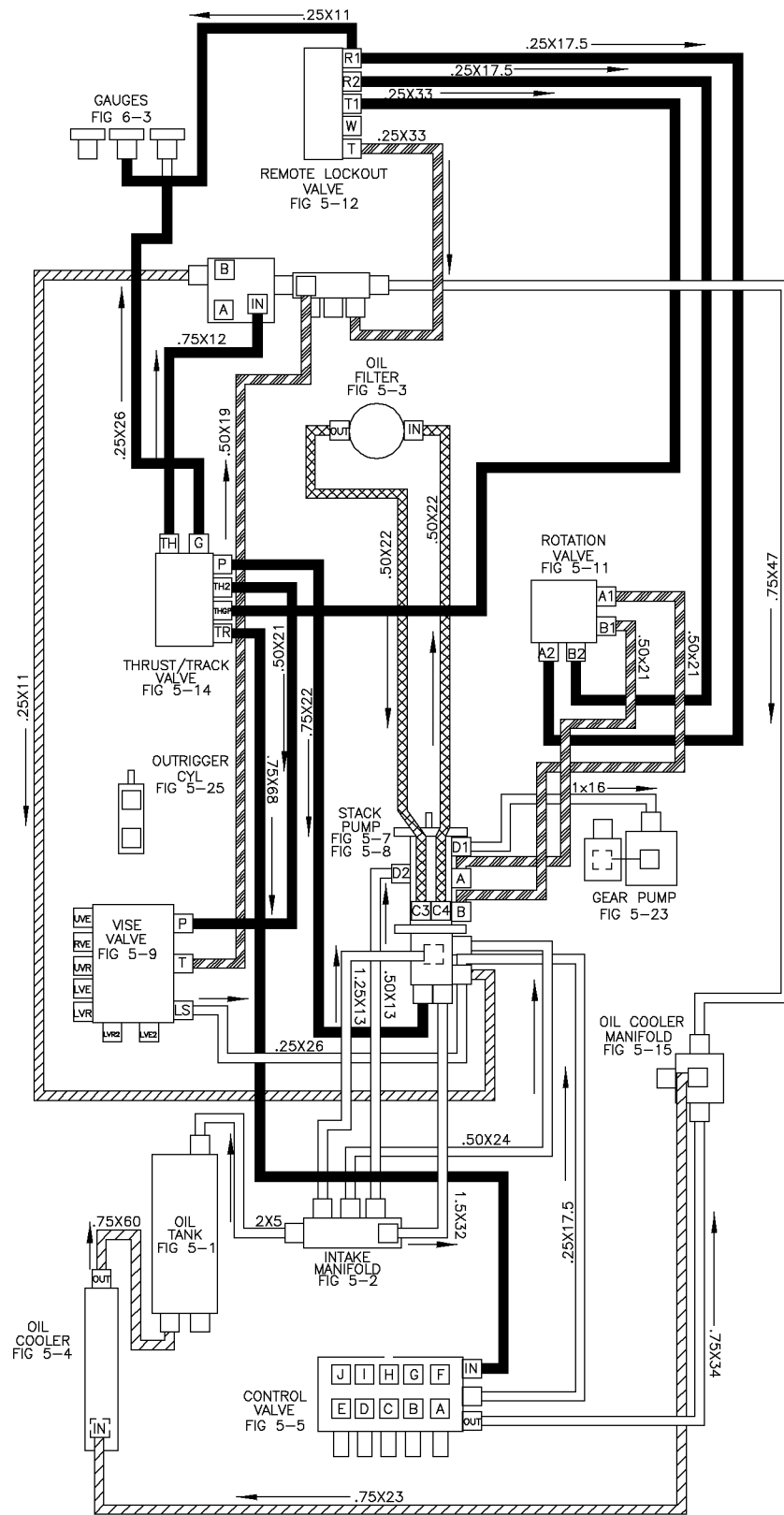


Implement Fig 11-1r01

REF. NO.	*	PART NO.	DESCRIPTION	QTY.	REMARKS
		Revision Date	March, 2005		Update In Illustration.
			Implement Hyd Location Diagram		

Implement Fig 11-1

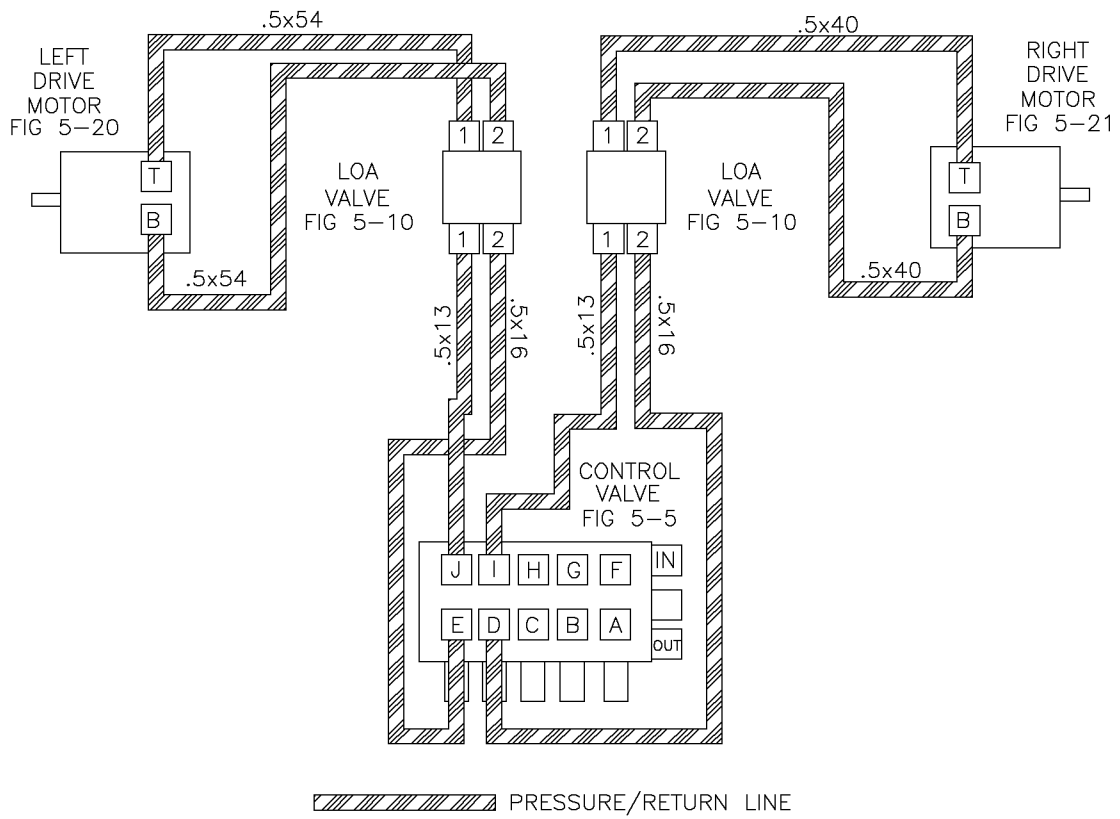
-  SUCTION LINE
-  RETURN LINE
-  PRESSURE/RETURN LINE
-  PRESSURE LINE
-  CHARGE PRESSURE LINE
-  LOAD SENSING LINE
-  DIRECTION OF OIL FLOW



Implement Fig 11-1

REF. NO.	*	PART NO.	DESCRIPTION	QTY.	REMARKS
			Implement Hyd Location Diagram		

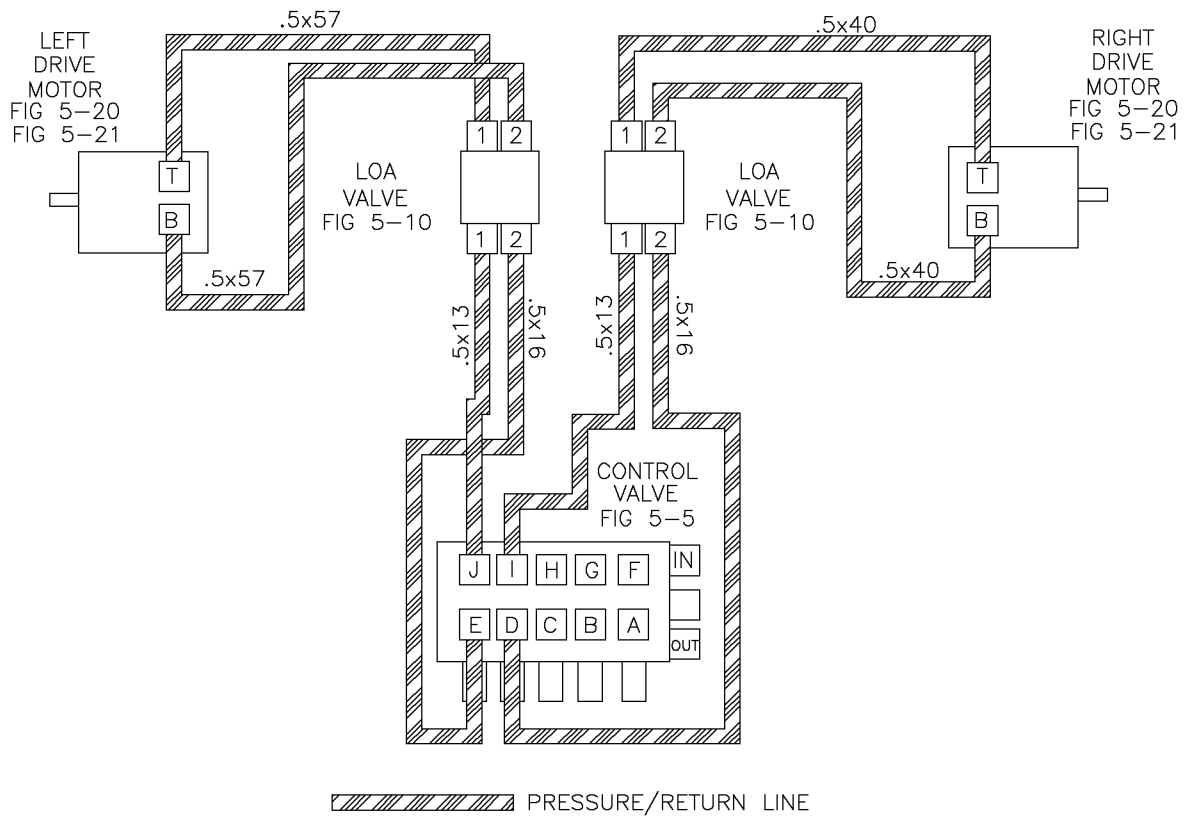
Track Drive Fig 11-2r01



Track Drive Fig 11-2r01

REF. NO.	*	PART NO.	DESCRIPTION	QTY.	REMARKS
		Revision Date	March, 2005		Update In Illustration.
			Track Drive Hyd Location Diagram		

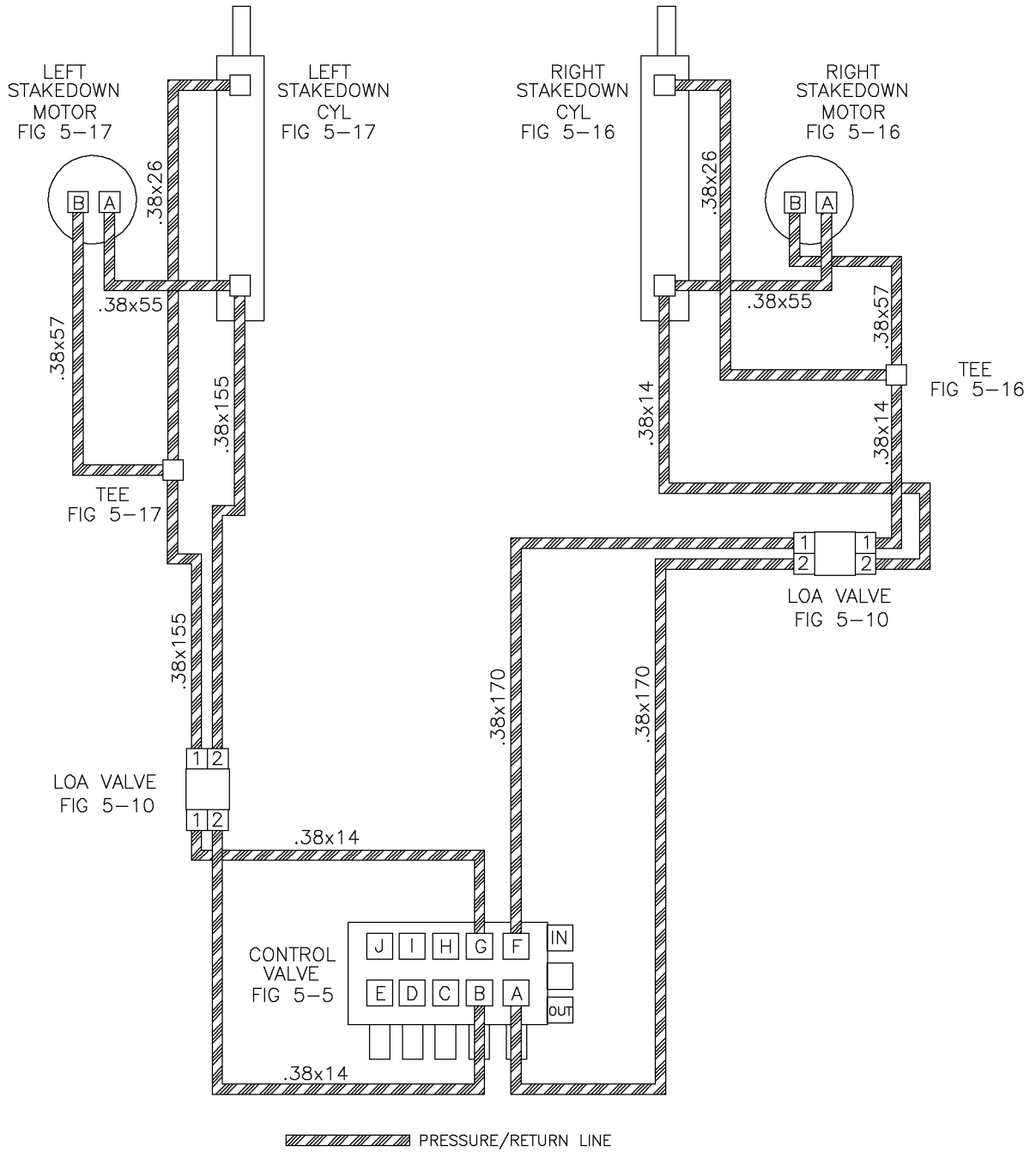
Track Drive Fig 11-2



Track Drive Fig 11-2

REF. NO.	*	PART NO.	DESCRIPTION	QTY.	REMARKS
			Track Drive Hyd Location Diagram		

Stakedown Fig 11-3r01

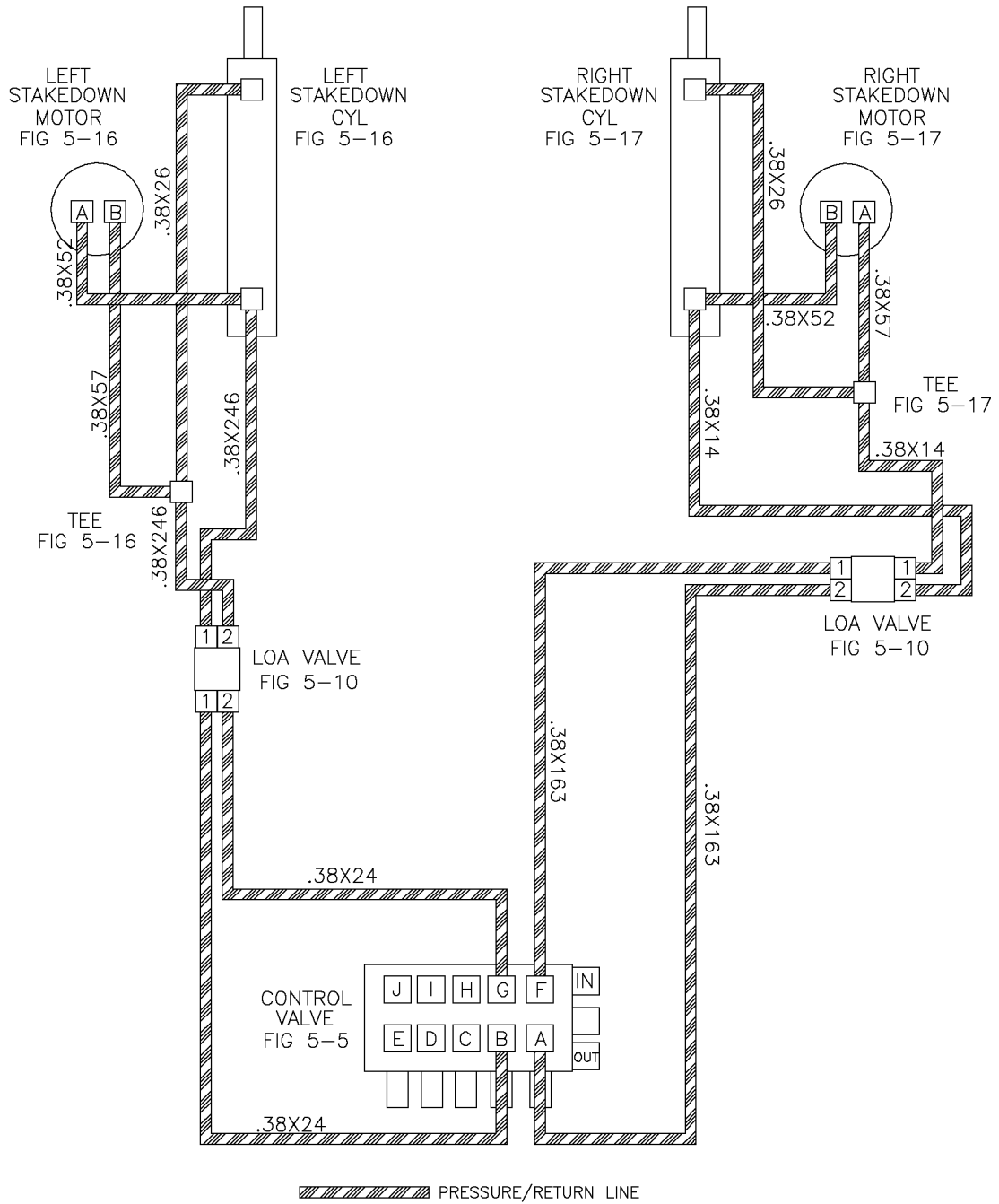




Stakedown Fig 11-3r01

REF. NO.	*	PART NO.	DESCRIPTION	QTY.	REMARKS
		Revision Date	October, 2007		Change length of hoses
			Stakedown Hyd Location Diagram		

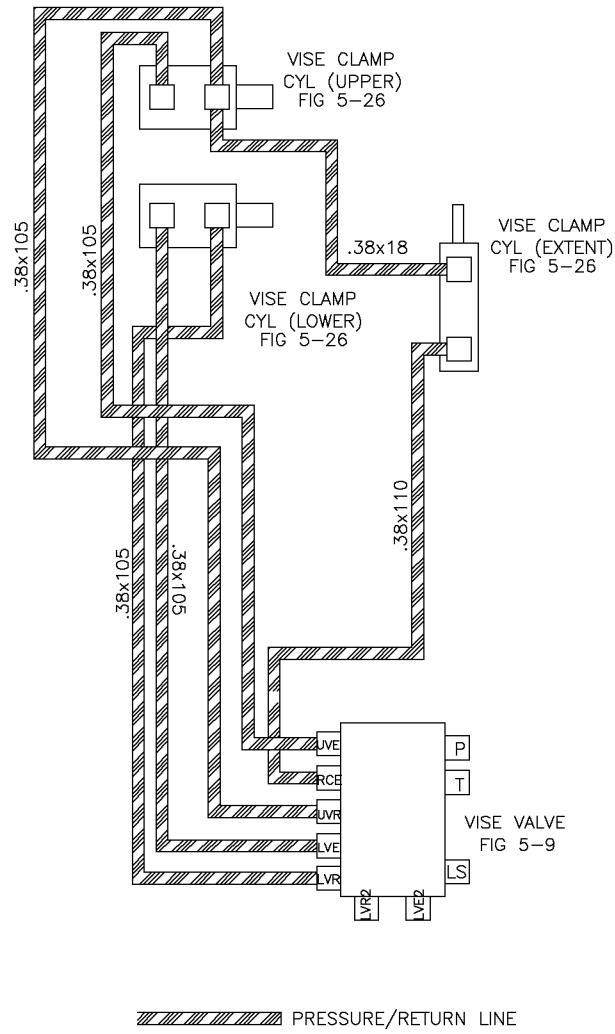
Stakedown Fig 11-3



Stakedown Fig 11-3

REF. NO.	*	PART NO.	DESCRIPTION	QTY.	REMARKS
			Stakedown Hyd Location Diagram		

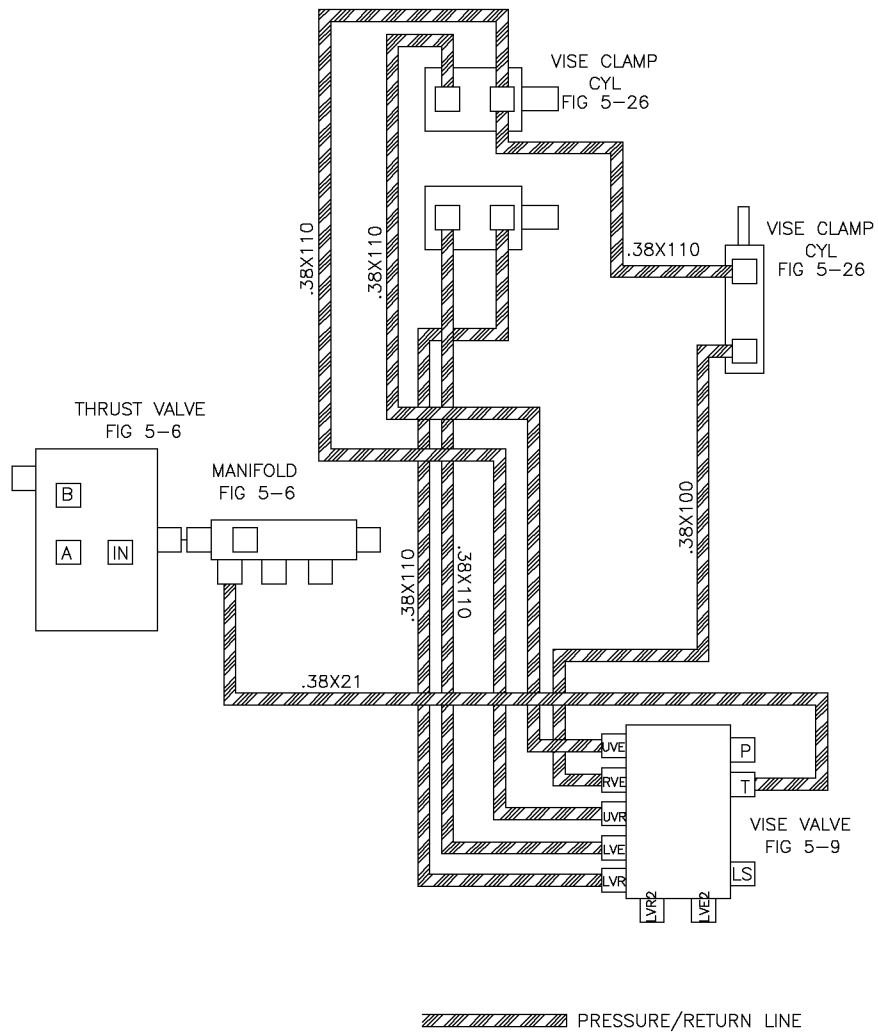
Vise Clamp Fig 11-4r01



Vise Clamp Fig 11-4r01

REF. NO.	*	PART NO.	DESCRIPTION	QTY.	REMARKS
		Revision Date	March, 2005		Update In Illustration.
			Vise Clamp Hyd Location Diagram		

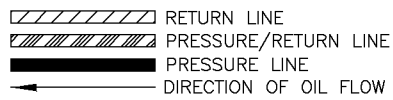
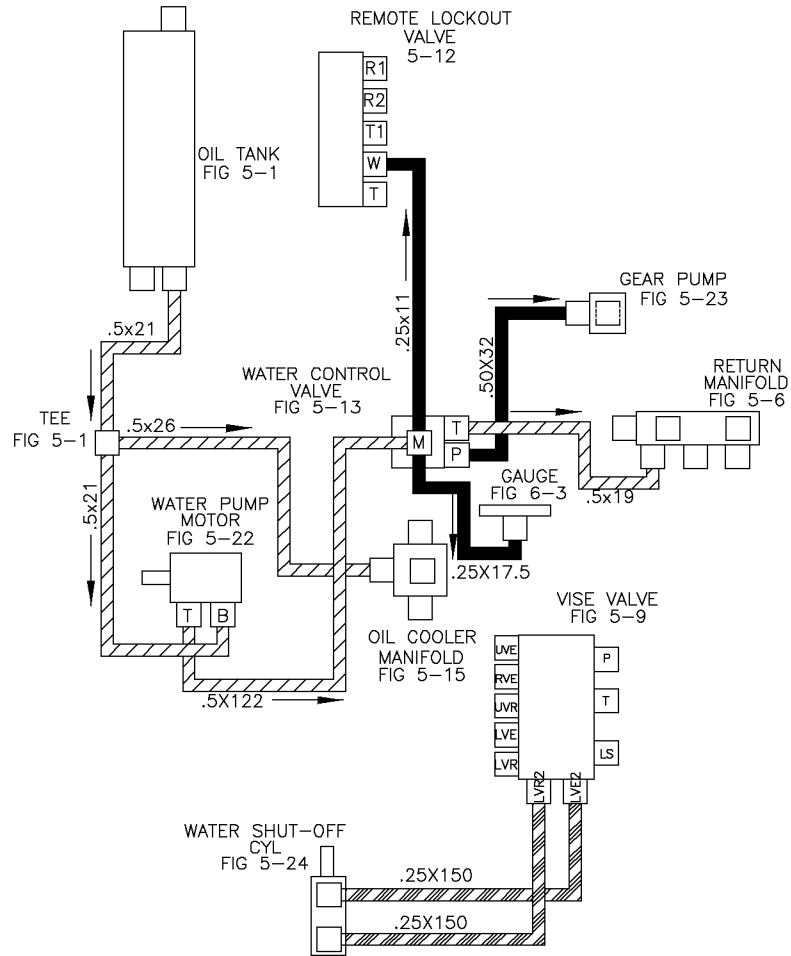
Vise Clamp Fig 11-4



Vise Clamp Fig 11-4

REF. NO.	*	PART NO.	DESCRIPTION	QTY.	REMARKS
			Vise Clamp Hyd Location Diagram		

Water System Fig 11-5r02

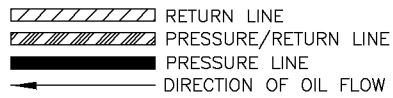
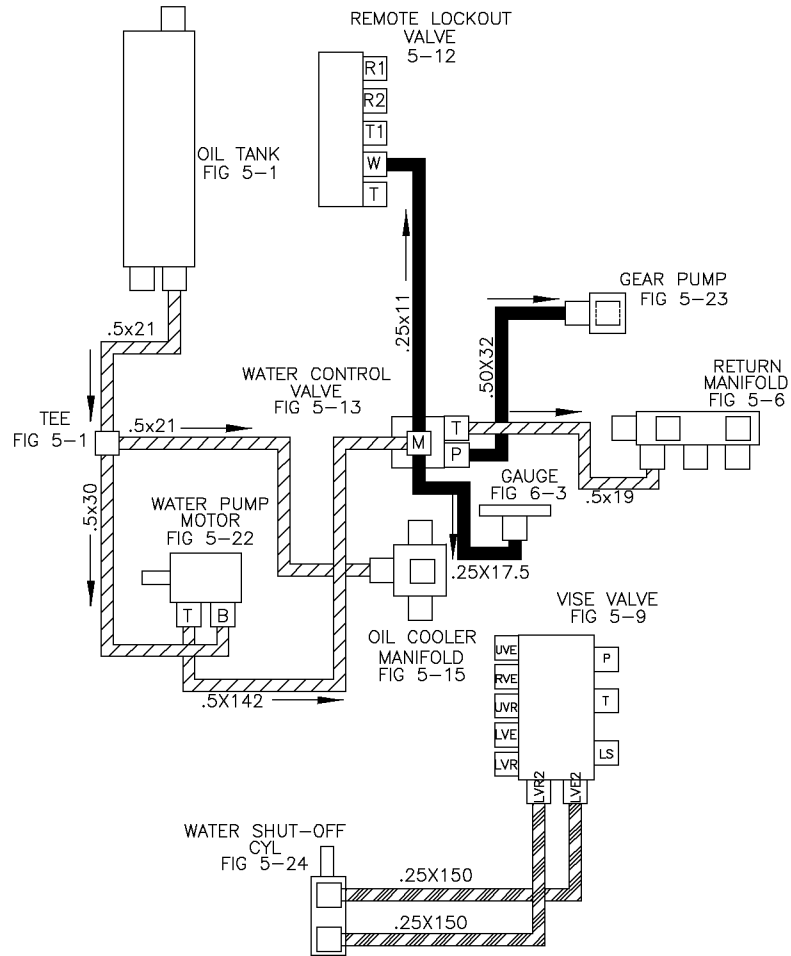




Water System Fig 11-5r02

REF. NO.	*	PART NO.	DESCRIPTION	QTY.	REMARKS
		Revision Date	October, 2007		Change Hose Length
			Water System Hyd Location Diagram		

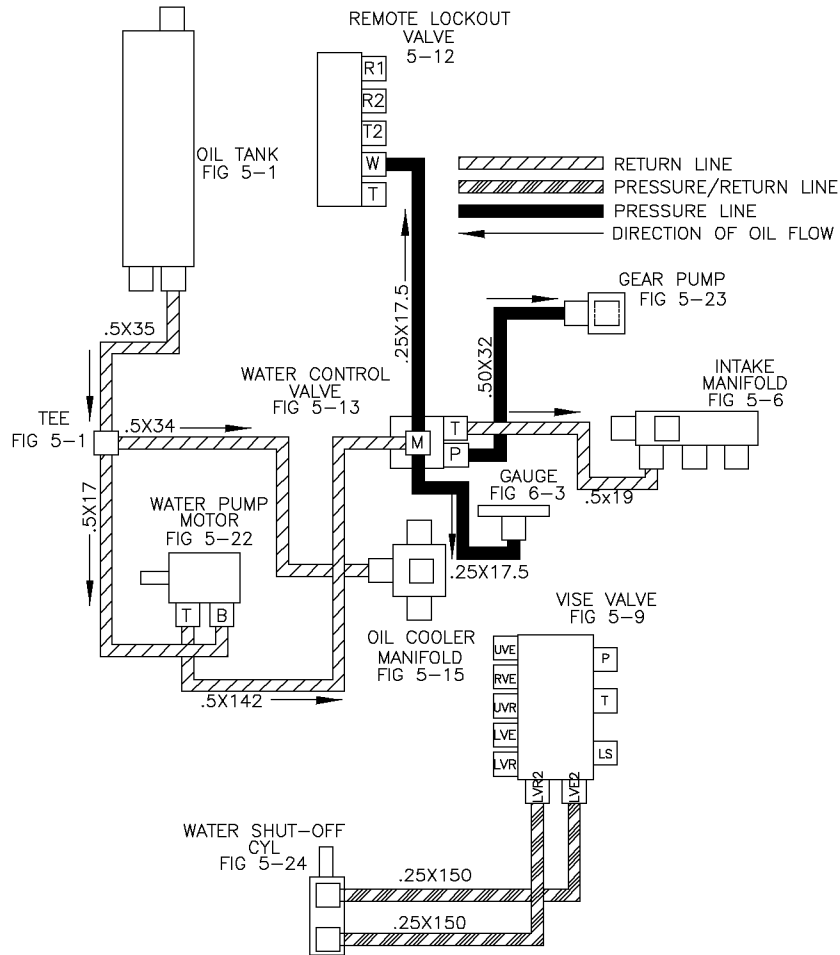
Water System Fig 11-5r01



Water System Fig 11-5r01

REF. NO.	*	PART NO.	DESCRIPTION	QTY.	REMARKS
		Revision Date	March, 2005		Update In Illustration.
			Water System Hyd Location Diagram		

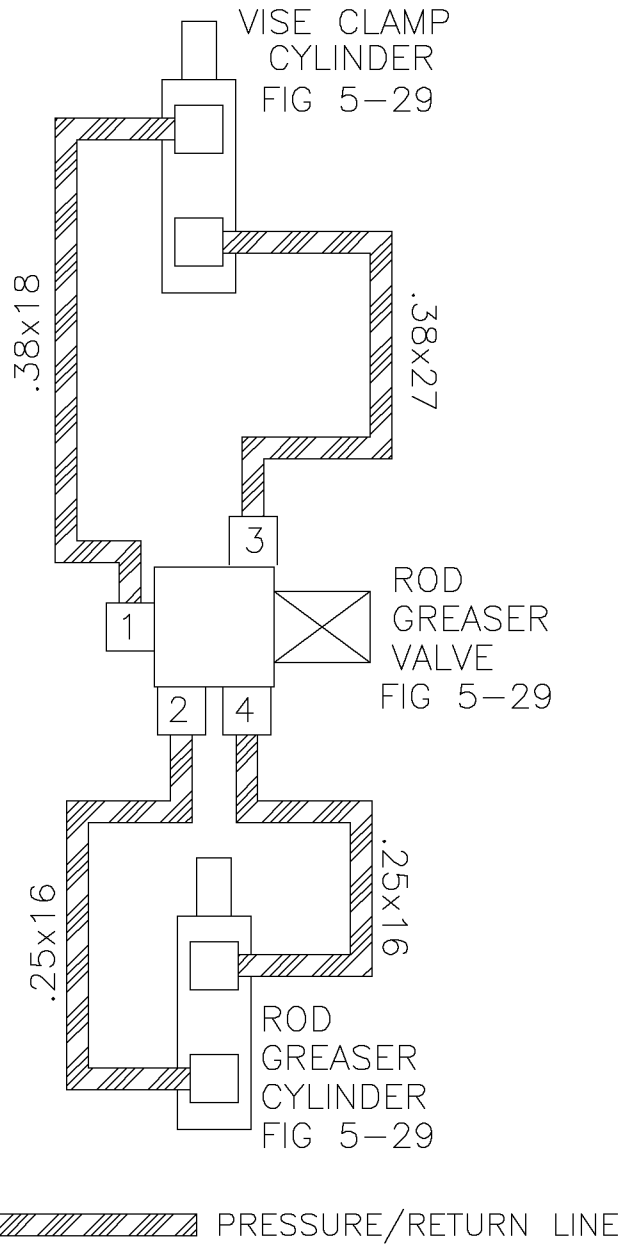
Water System Fig 11-5



Water System Fig 11-5

REF. NO.	*	PART NO.	DESCRIPTION	QTY.	REMARKS
			Water System Hyd Location Diagram		

Auto Greaser Fig 11-6



Auto Greaser Fig 11-6

REF. NO.	*	PART NO.	DESCRIPTION	QTY.	REMARKS
			Auto Greaser Hyd Location Diagram		

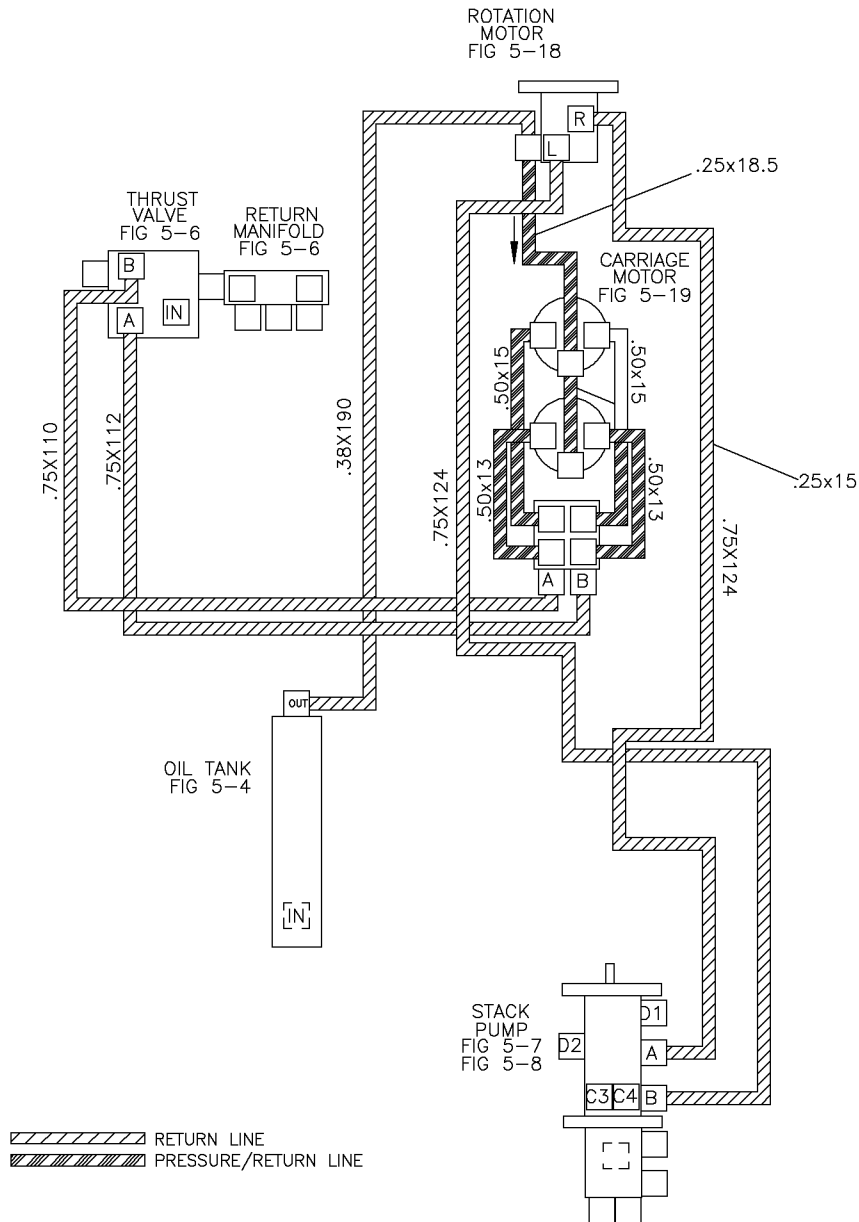




Thrust/Pullback Fig 11-7r03

REF. NO.	*	PART NO.	DESCRIPTION	QTY.	REMARKS
		Revision Date	October, 2007		Change Hose
			Thrust/Pullback Hyd Location Diagram		

Thrust/Pullback Fig 11-7r02



Thrust/Pullback Fig 11-7r02

REF. NO.	*	PART NO.	DESCRIPTION	QTY.	REMARKS
		Revision Date	August, 2006		Update In Illustration.
			Thrust/Pullback Hyd Location Diagram		



Thrust/Pullback Fig 11-7r01

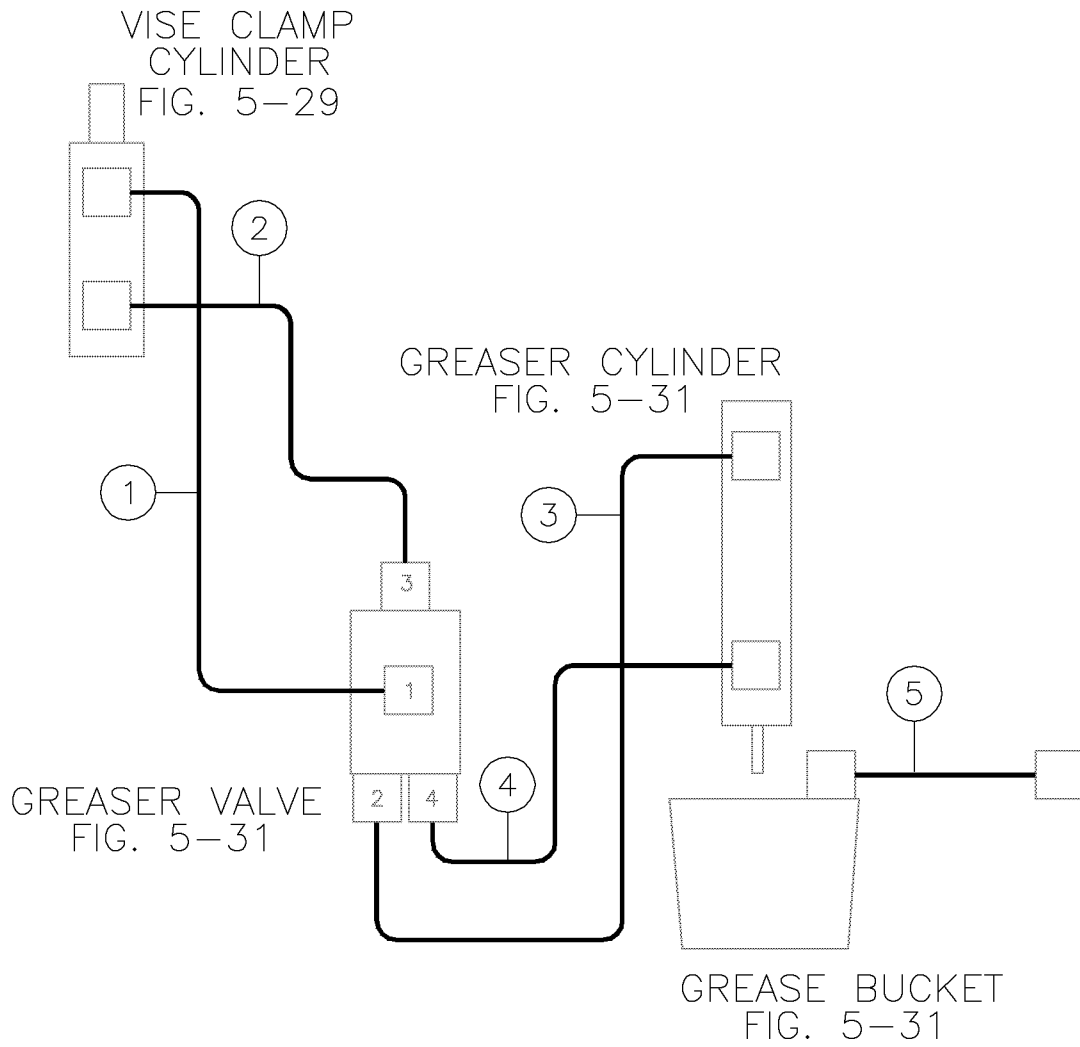
REF. NO.	*	PART NO.	DESCRIPTION	QTY.	REMARKS
		Revision Date	March, 2005		Update In Illustration.
			Thrust/Pullback Hyd Location Diagram		



Thrust/Pullback Fig 11-7

REF. NO.	*	PART NO.	DESCRIPTION	QTY.	REMARKS
			Thrust/Pullback Hyd Location Diagram		

Bucket Auto Greaser Fig 11-8

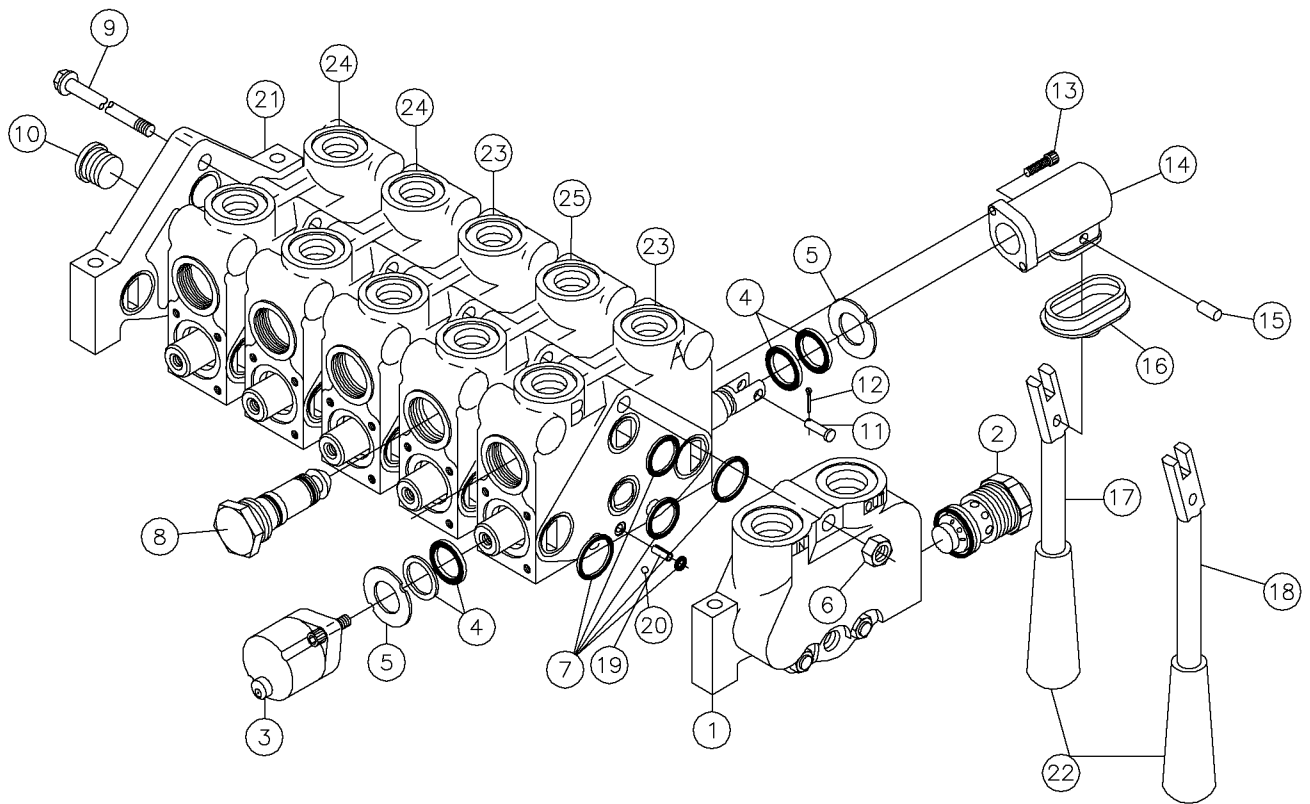




Bucket Auto Greaser Fig 11-8

REF. NO.	*	PART NO.	DESCRIPTION	QTY.	REMARKS
		Revision Date	May, 2007		Change Hoses
1		57940467	HOSE-3/8X60 6FS JIC 3000 PSI	1	
2	*	57940381	HOSE-3/8X38 6FSJIC SAE-100R1	1	
3	*	53843601	HOSE-1/4X17 4FS JIC 3000 PSI	1	
4	*	53843197	HOSE-1/4X14 4FS JIC 3000 PSI	1	
5	*	53843325	HOSE-1/4X25 4FS JIC 3000 PSI	1	

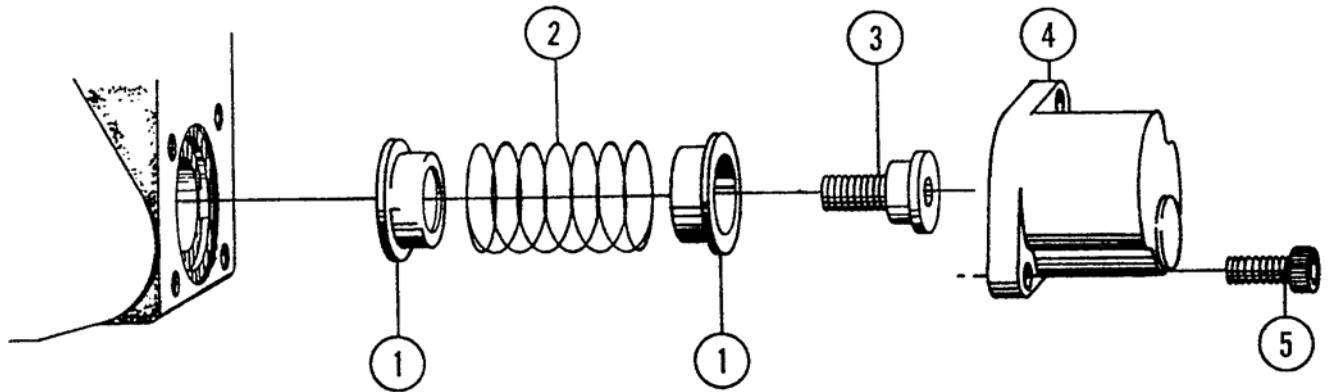
Control Valve Fig 12-1



## Control Valve Fig 12-1

REF. NO.	*	PART NO.	DESCRIPTION	QTY.	REMARKS
1		287530001	VALVE - TRANSPORT	1	
2		228113005	WH MAIN RELIEF (3500 PSI)	1	Breakdown
3		6149005	POSITIONER-STD. GRESEN K-6125	5	Breakdown
4		3147077	REPAIR KIT GRESEN K-6035	5	
5		3147081	RETAIN-PLT WASH GRSN 6752-001	10	
6		446001	NUT-3/8 NF HEX	3	
7		87390001	REPAIR KIT-LOAD SENSING SECT.	6	
8		3147035	PLUG-LOAD CHECK STEEL K-6030	10	Breakdown
9		6149003	STUD KIT-5 SECTION GRSN K-6108	3	Inc Ref 6
10		96056007	PLUG-INTERNAL -SAE8	1	Inc O-Ring
11		608257001	CLEVIS PIN	5	
12		510035	PIN-3/32 X 1/2 COTTER	5	
13		287530003	SCREW - HSHC 1/4-20 X 1.00	10	
14		608258001	BRACKET	5	
15		287530004	PIN - DOWEL 1/4 X .625	5	
16		608253001	DUST BOOT	5	
17		287530005	HANDLE - V20 ENCLOSED VERTICAL	3	
18		287530010	HANDLE	2	
19		87397001	PIN-SPRING	1	
20		87398001	BALL	1	
21		287530006	RIGHT COVER ASSEMBLY	1	Inc Ref 7 And 10
22		608251001	KNOB	5	
23		287530007	CENTER SECTION COMPONENT	2	Inc One Each Of Ref 3-5, 11-17, 19, 20, 22, And Two Of Ref 5, 8, And 13
24		287530008	SECT. V20LS 4 WAY BLEEDER ASSY	2	Inc One Each Of Ref 3-5, 11-17, 19, 20, 22, And Two Of Ref 5, 8, And 13
25		287530009	SECT. V20LS 4 WAY BLEEDER ASSY	1	Inc One Each Of Ref 2, 4, 5, 11-17, 19, 20, 22, And Two Of Ref 5, 8, And 13
		287530001	VALVE - TRANSPORT		Inc All Items In Figure

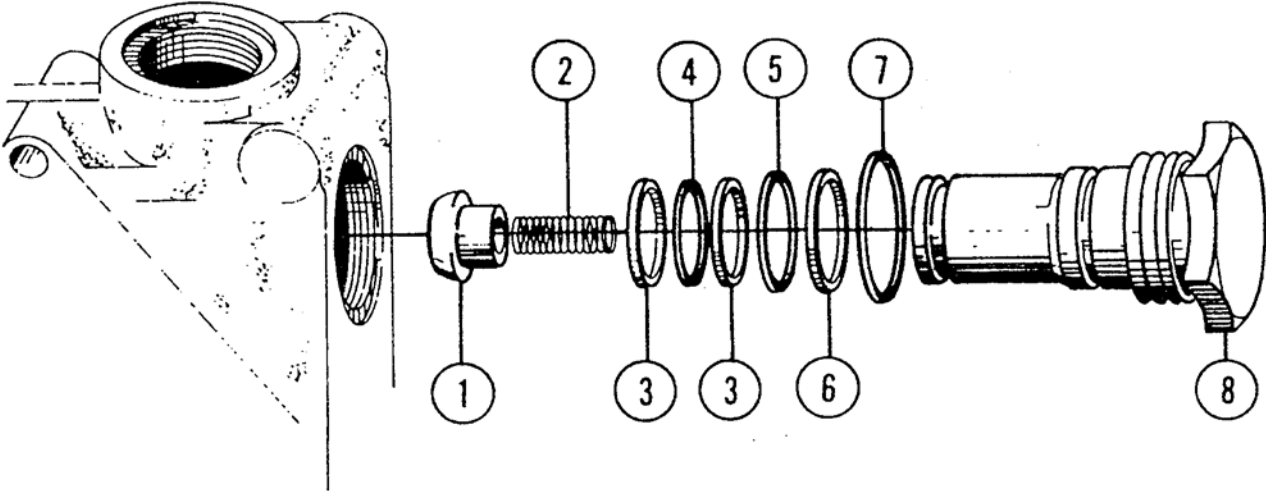
Standard Spool Positioner Fig 12-2



## Standard Spool Positioner Fig 12-2

REF. NO.	*	PART NO.	DESCRIPTION	QTY.	REMARKS
1		3149005	COLLAR-SPRING GRESEN 1809-001	2	
2		6149057	SPRING-RETURN 7433-001	1	
3		3149013	COLLAR-SPOOL	1	
4		6149043	BONNET	1	
5		79704001	SCREW-1/4-20X7/8 SOC HD SELFLK	2	
		6149005	POSITIONER-STD. GRESEN K-6125		Inc Ref 1-5

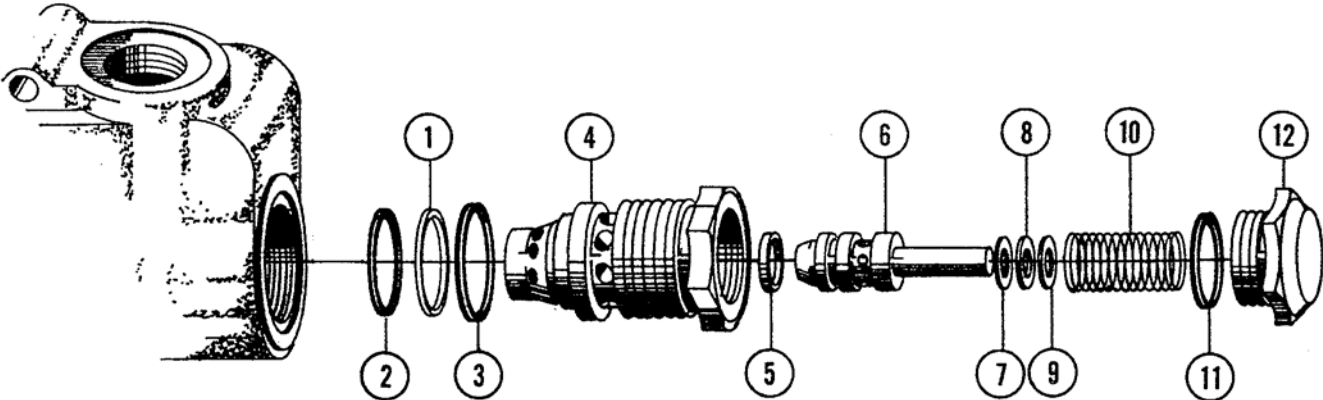
Load Check Plug Fig 12-3



## Load Check Plug Fig 12-3

REF. NO.	*	PART NO.	DESCRIPTION	QTY.	REMARKS
1		3128009	POPPET-CHECK GRESEN 2781-001	1	
2		3147047	SLEEVE-DETENT GRESEN 6812-001	1	
3		NSS	WASHER-BACKUP (INNER)	2	
4		NSS	O-RING	1	
5		NSS	O-RING (OUTER)	1	
6		NSS	WASHER-BACKUP (OUTER)	1	
7		NSS	O-RING	1	
8		3147043	PLUG-LIFT CHECK GRSN 3411-001		
		3147035	PLUG-LOAD CHECK STEEL K-6030		Inc Ref 1-8
		3147037	REPAIR KIT GRESEN K-6032		Inc Ref 3-7

WH Main Relief Fig 12-4

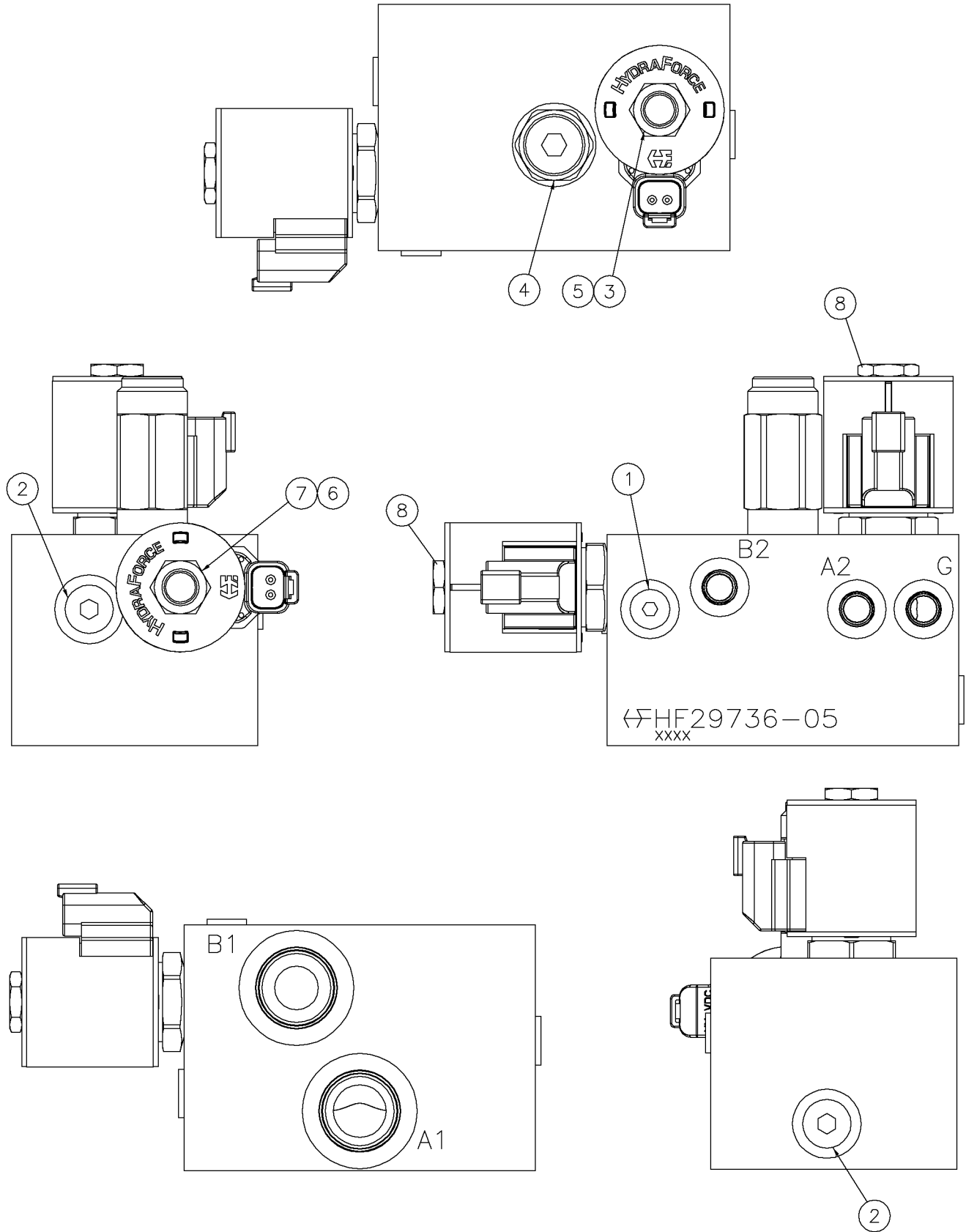




WH Main Relief Fig 12-4

REF. NO.	*	PART NO.	DESCRIPTION	QTY.	REMARKS
1		NSS	RING-BACKUP	1	
2		NSS	SEAL-O-RING	1	
3		NSS	SEAL-O-RING	1	
4		15844009	BODY-WH RELIEF 6533-001	1	
5		NSS	RING-PISTON	1	
6		NSS	POPPET	1	
7		208019	SHIM - .010 #0462-001	A/R	
8		208017	SHIM - .020 #0459-001	A/R	
9		208015	SHIM - .040 #0458-001	A/R	
10		86323005	SPRING-SS 2000-3000 PSI	1	
11		NSS	SEAL-O-RING	1	
12		3147027	CAP GRESEN 1880-001	1	
		3147011	SERVICE KIT GRESEN K-19002		Inc Ref 5-6
		15844007	REPAIR KIT-K19003		Inc Ref 1, 3, And 11
		901057001	RELIEF VAVLE WJL-10-3000		Inc Ref 1-12

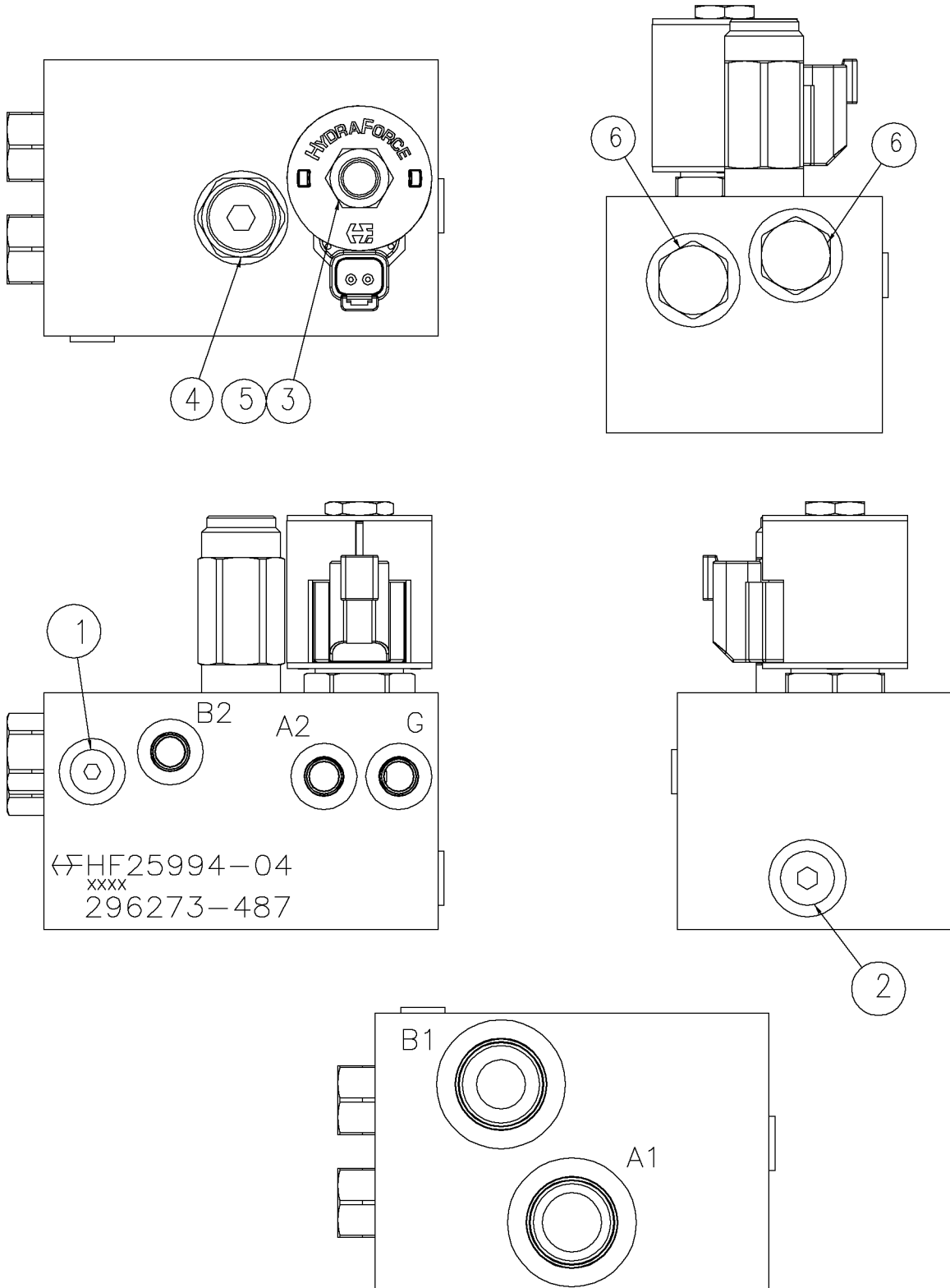
Rotation Valve Fig 12-5r01



Rotation Valve Fig 12-5r01

REF. NO.	*	PART NO.	DESCRIPTION	QTY.	REMARKS
		Revision Date	March, 2005		Update In Illustration & Parts List.
1		240324011	PLUG-SAE	1	
2		500659021	SAE PLUG	2	
3		296278002	COIL	1	
4		296276757	RELIEF VALVE	1	
		296251056	SEAL KIT	1	
5		296272890	CARTRIDGE (NO COIL)	1	
		282520009	SEAL KIT	1	
6		296271077	COILS	1	
7		296278661	SPOOL - 2 WAY NC	1	
		296276758	SEAL KIT	1	
8		224886007	NUT	2	
		296273487	VALVE - TORQUE LIMITER/NEUTRAL		Inc All Items In Figure

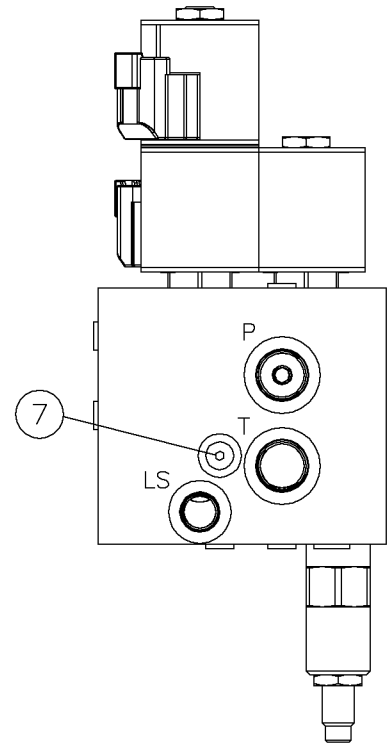
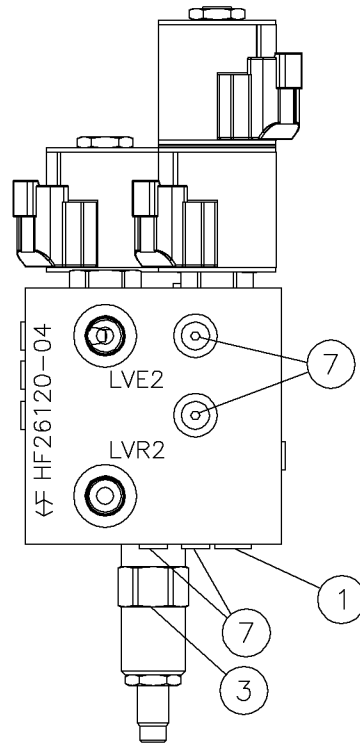
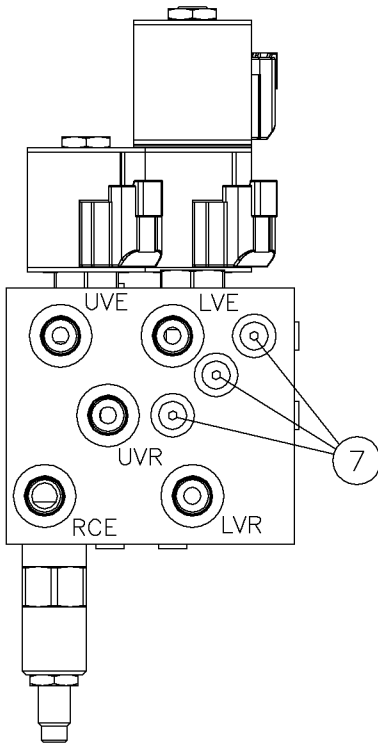
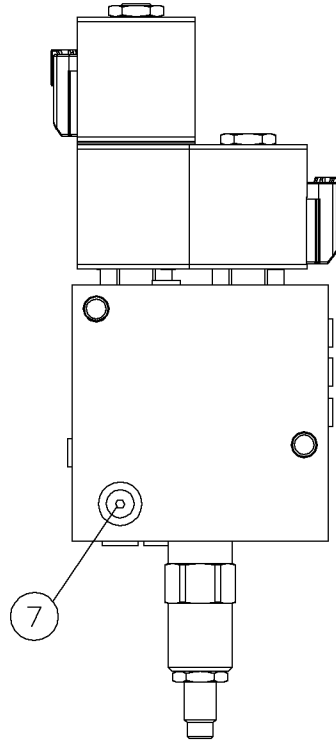
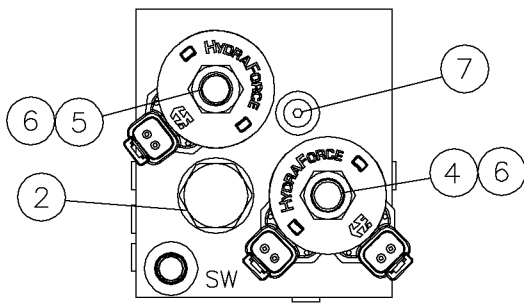
Rotation Valve Fig 12-5



## Rotation Valve Fig 12-5

REF. NO.	*	PART NO.	DESCRIPTION	QTY.	REMARKS
1		240324011	PLUG-SAE	1	
2		500659021	SAE PLUG	1	
3		296278002	COIL	1	
4		278283007	RELIEF VALVE	1	
5		296272890	CARTRIDGE (NO COIL)	1	
6		296272914	VALVE-VONBERG 8108-1.0	2	
		296273487	VALVE - TORQUE LIMITER/NEUTRAL		Inc All Items In Figure

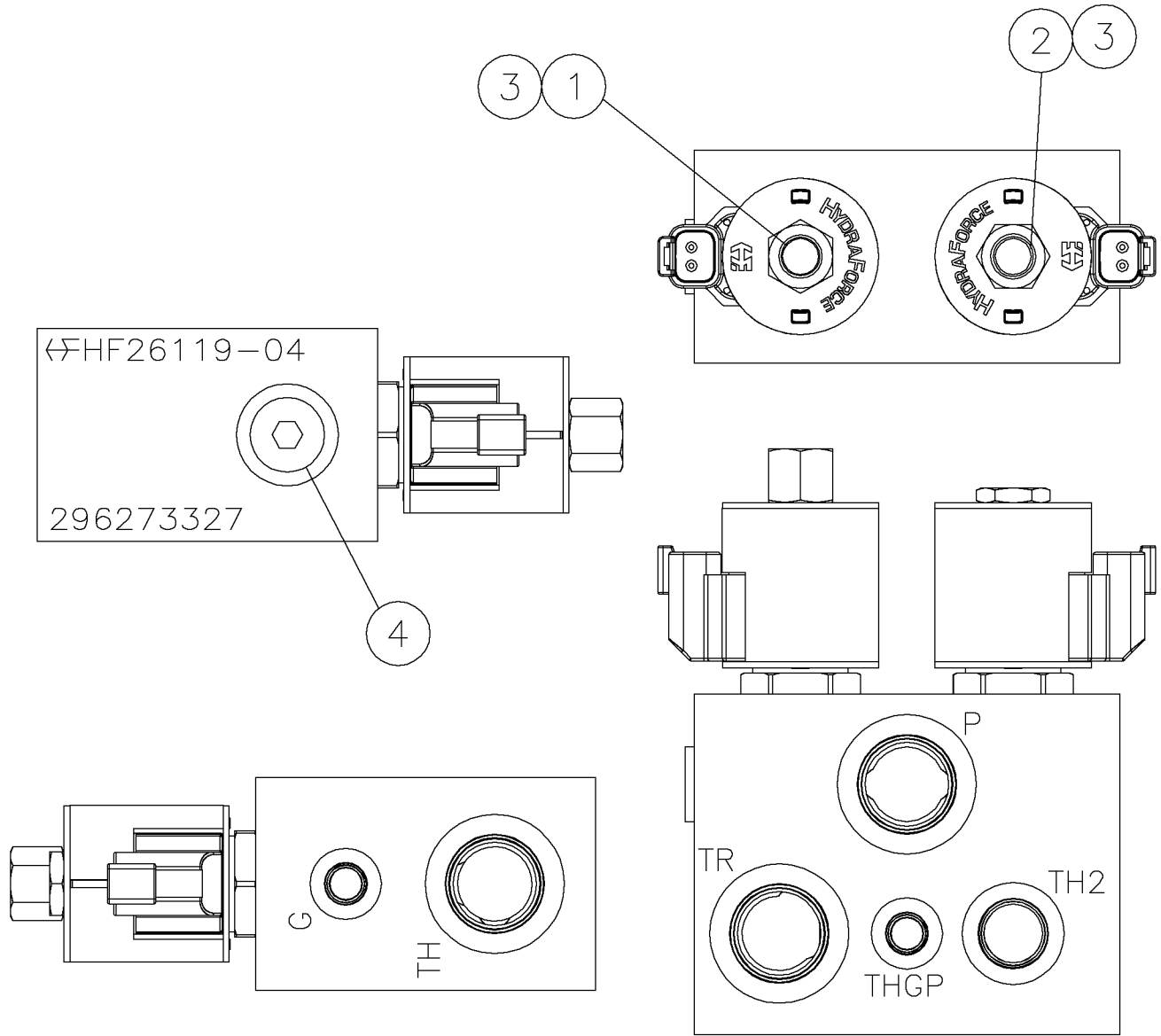
Vise Valve Fig 12-6



## Vise Valve Fig 12-6

REF. NO.	*	PART NO.	DESCRIPTION	QTY.	REMARKS
1		296272884	CHECK VALVE	1	
2		296272885	DUAL CHECK VALVE	1	
3		296272886	RELIEF CHECK VALVE	1	
4		296272887	VALVE-PROPORTIONAL DIRECTIONAL	1	
5		296265596	CARTRIDGE - SOLENOID VALVE	1	
6		296271077	COILS	3	
7		240324015	PLUG-SAE	10	
		296273426	VALVE - VISE MANIFOLD		Inc All Utems In Figure

Thrust-Track Valve Fig 12-7

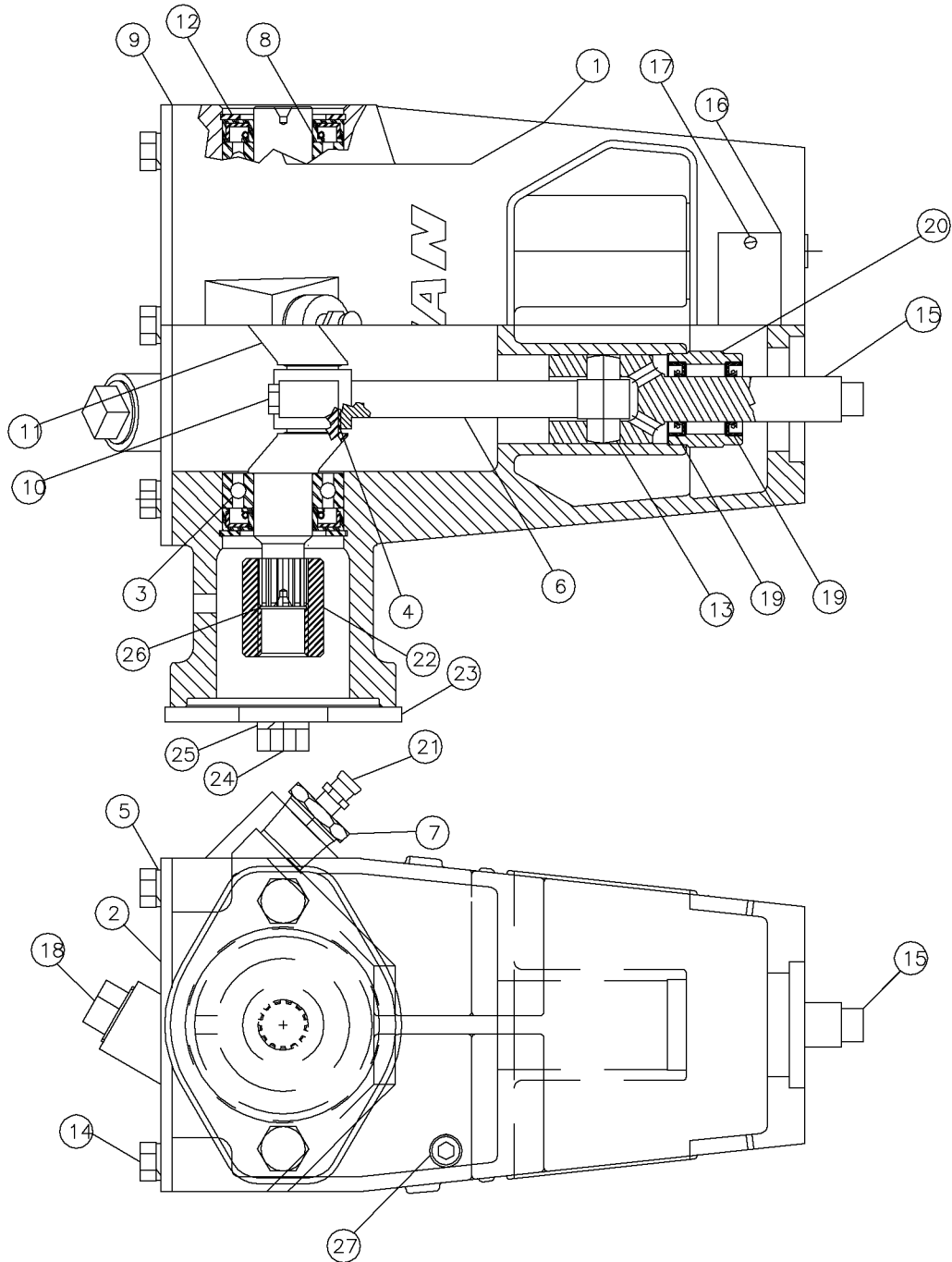




## Thrust-Track Valve Fig 12-7

REF. NO.	*	PART NO.	DESCRIPTION	QTY.	REMARKS
1		296272888	SOLENOID VALVE	1	
2		296272889	SOLENOID VALVE	1	
3		296271077	COILS	2	
4		236494005	PLUG-SAE	1	
		296273327	VALVE - TRANSPORT/THRUST		Inc All Items In Figure

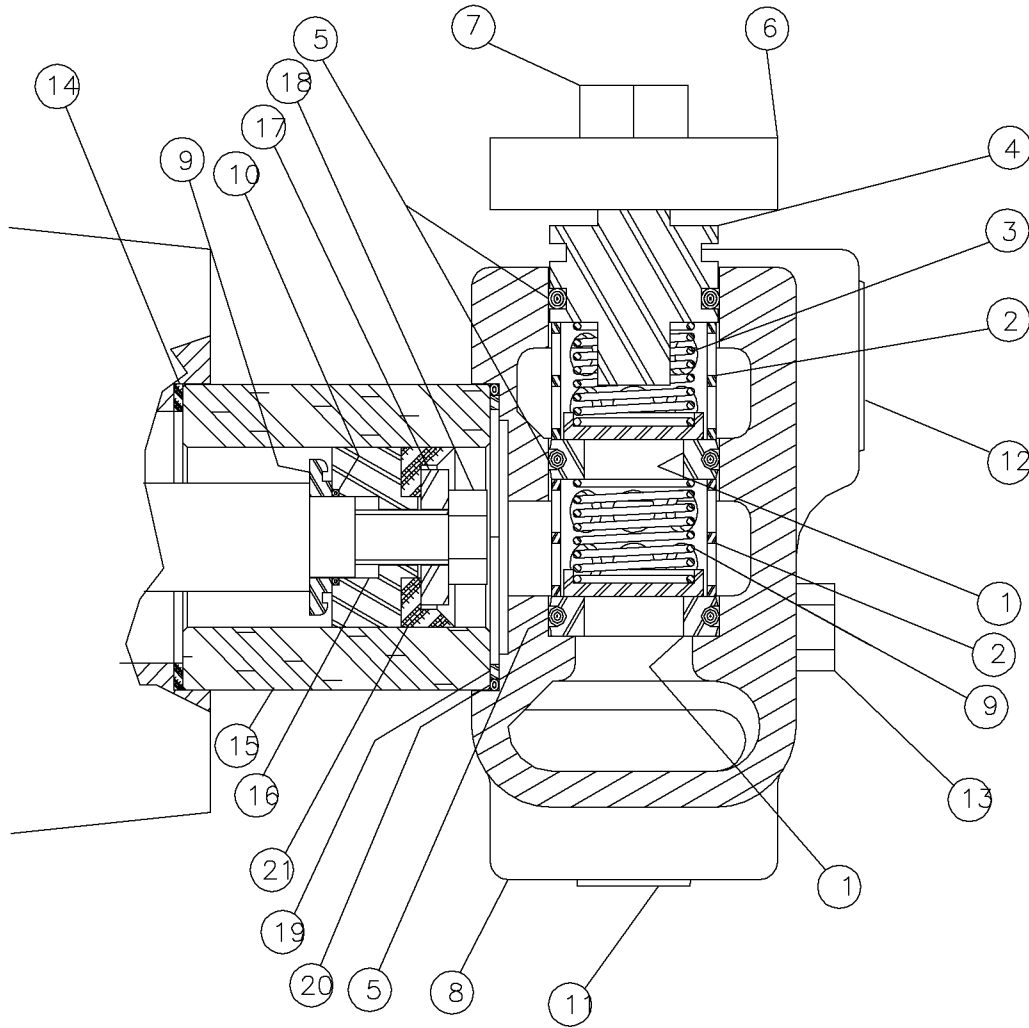
Water Pump Fig 12-8



## Water Pump Fig 12-8

REF. NO.	*	PART NO.	DESCRIPTION	QTY.	REMARKS
1		234680003	POWER FRAME	1	
2		248507003	COVER - BACK	1	
3		218416061	BEARING-FAFNIR 205W	2	
4		229367007	BEARING INSERT (2 PCS)	4	
5		904540041	WASHER-3/8 WAVE	6	
6		218416059	ASSEMBLY-CONN.ROD	2	
7		248507005	BUSHING - 3/4" NPT MALE X 1/8" NPT	1	
8		218416005	VALVE SPRING	2	
9		218416079	GASKET-BASE	1	
10		218416003	CAPLUG INT 12	4	
11		234680005	CRANKSHAFT	1	
12		218416075	SNAP RING-5000-206	2	
13		218416053	PIN-WRIST	2	
14		229367013	CAPSCREW-HEX HD 3/8-16 X 3/4	6	
15		248507007	CROSSHEAD	2	
16		229367043	NAME PLATE	1	
17		248507009	SCREW - #4 X 3/16" LG SELF - TAPPING	2	
18		218416031	PIPE PLUG-3/4"SQ.HD.GALV.	1	
19		904540035	OIL SEAL	4	
20		248507011	HOLDER - SEAL	2	
21		904540031	BREATHER	1	
22		234680009	COUPLING	1	
23		236318041	COVER-FLANGE	1	
24		236318035	HEX HD CAP SCREW 1/2-13 1 1/2	2	
25		236318037	LOCKWASHER-1/2"	2	
26		234680011	RETAINER RING (INTERNAL).66BOR	1	
27		248507013	PLUG - 1/4" NPT SOC. HD.	1	

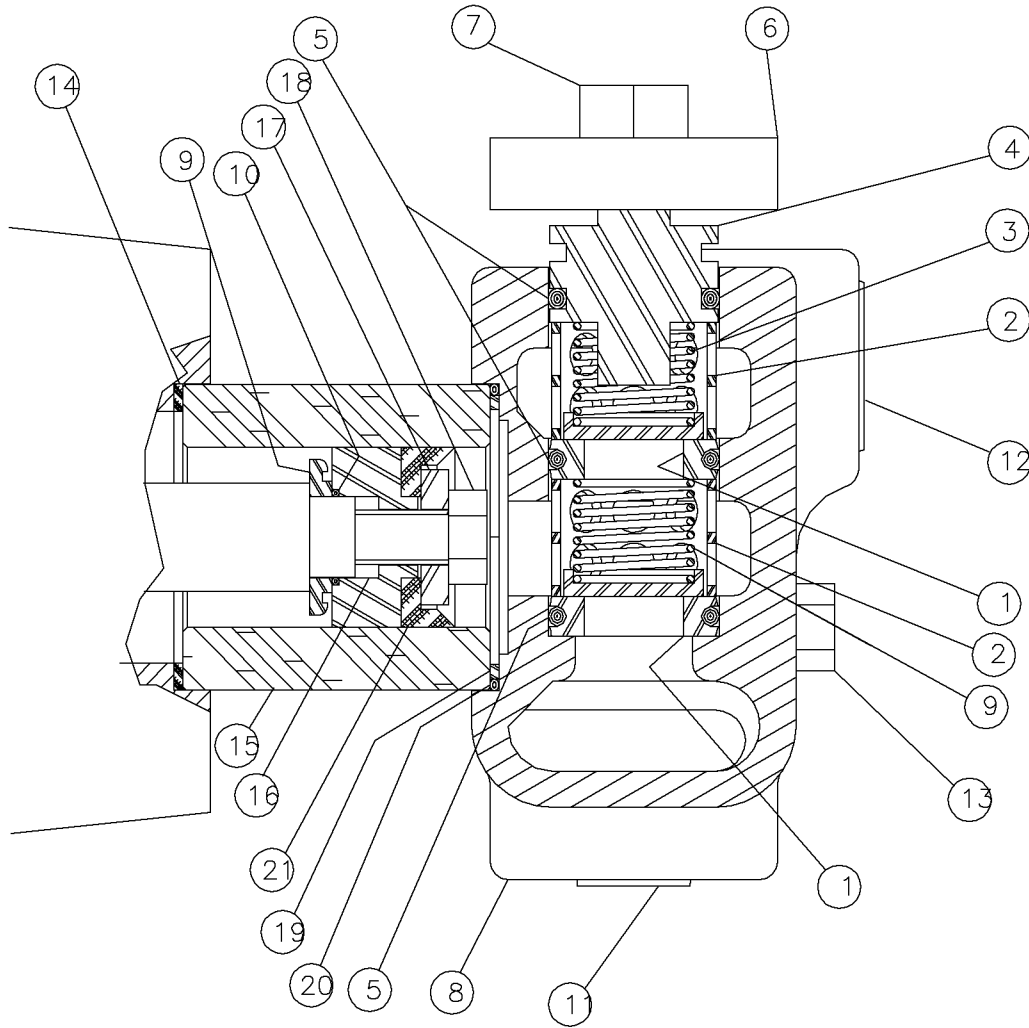
Water Pump Fig 12-9r01



## Water Pump Fig 12-9r01

REF. NO.	*	PART NO.	DESCRIPTION	QTY.	REMARKS
		Revision Date	November, 2006		Added Valve Kit
1		218416003	CAPLUG INT 12	4	
2		218416025	VALVE CAGE	4	
3		229367027	DISC AND SPRING ASSEMBLY	4	
4		218416011	VALVE COVER	2	
5		229367029	O-RING 1.1875 OD X .125	6	
6		218416007	CLAMP	1	
7		218416009	CAPSCREW-HEX HD 1/2-13 X 1 1/2	1	
8		248507015	FLUID CYLINDER	1	
9		218416047	WASHER-UMBRELLA	2	
10		218416043	O-RING-11/16 OD X9/16ID-1/16	2	
11		229367033	CAPLUG INT12	1	
12		218416017	CAPLUG INT 14	1	
13		229367037	CAPSCREW-HEX HD 3/8-16X5	3	
14		224667011	IS REPLACED BY 218416-045-1	2	
15		224667003	CYLINDER 1 5/8	2	
16		224667005	PACKING HOLDER 1 5/8	2	
17		229367039	PACKING WASHER	2	
18		229367041	CAPSCREW-HEX HD 5/16-18X1 1/2	2	
19		218416035	SEAL RING 38-5	2	
20		218416033	O-RING-2 1/8"OD X 1/16	2	
21		248507017	CUP - 1-5/8" HSN EMEARALITE COATED	2	
		296272880	POWER END ASSEMBLY		Inc All Items In Figure
	*	234680019	VALVE KIT	2	Inc Ref 1-4, 9, 19-20 (Order 2 Kits)

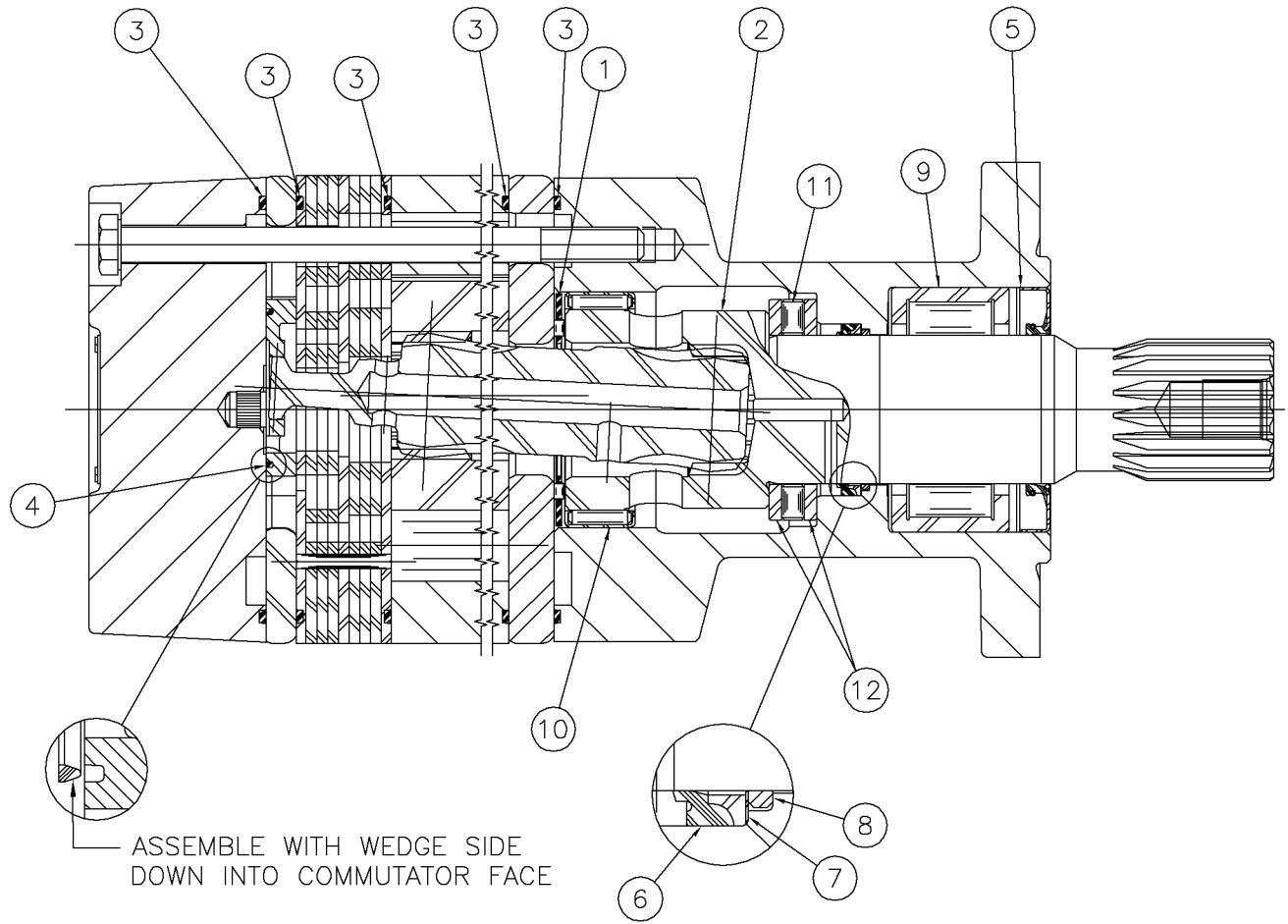
Water Pump Fig 12-9



## Water Pump Fig 12-9

REF. NO.	*	PART NO.	DESCRIPTION	QTY.	REMARKS
1		218416003	CAPLUG INT 12	4	
2		218416025	VALVE CAGE	4	
3		229367027	DISC AND SPRING ASSEMBLY	4	
4		218416011	VALVE COVER	2	
5		229367029	O-RING 1.1875 OD X .125	6	
6		218416007	CLAMP	1	
7		218416009	CAPSCREW-HEX HD 1/2-13 X 1 1/2	1	
8		248507015	FLUID CYLINDER	1	
9		218416047	WASHER-UMBRELLA	2	
10		218416043	O-RING-11/16 OD X9/16ID-1/16	2	
11		229367033	CAPLUG INT12	1	
12		218416017	CAPLUG INT 14	1	
13		229367037	CAPSCREW-HEX HD 3/8-16X5	3	
14		224667011	IS REPLACED BY 218416-045-1	2	
15		224667003	CYLINDER 1 5/8	2	
16		224667005	PACKING HOLDER 1 5/8	2	
17		229367039	PACKING WASHER	2	
18		229367041	CAPSCREW-HEX HD 5/16-18X1 1/2	2	
19		218416035	SEAL RING 38-5	2	
20		218416033	O-RING-2 1/8"OD X 1/16	2	
21		248507017	CUP - 1-5/8" HSN EMEARALITE COATED	2	
		296272881	FLUID CYLINDER GROUP		Inc Ref 1-8
		296272882	ATTACHING GROUP		Inc Ref 9-13
		296272883	CYLINDER GROUP		Inc Ref 14-20
		296272880	POWER END ASSEMBLY		Inc all Items In Figure

Stakedown Motor Fig 12-10

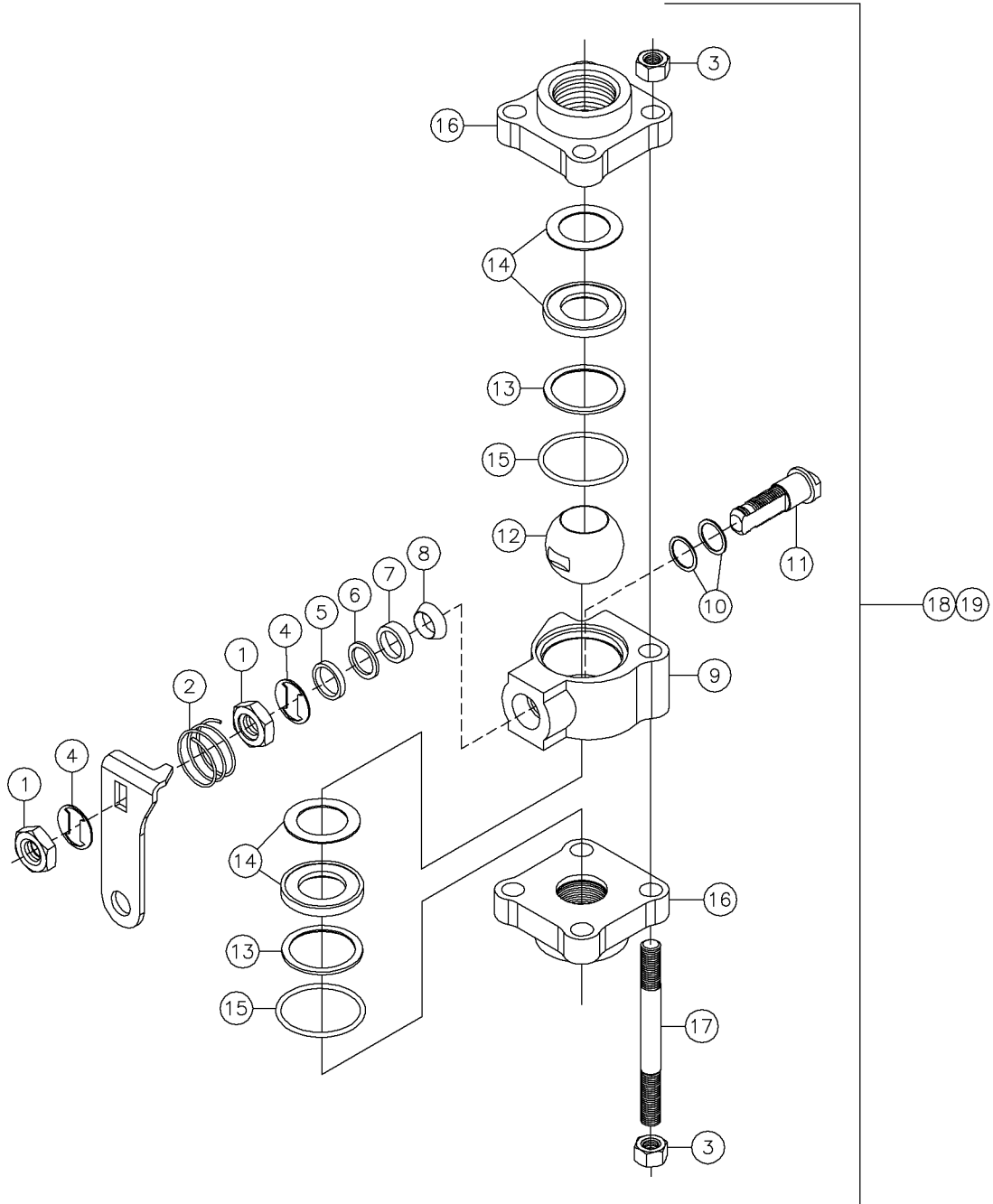




## Stakedown Motor Fig 12-10

REF. NO.	*	PART NO.	DESCRIPTION	QTY.	REMARKS
1		88759021	BEARING-THRUST	1	
2		296265564	SHAFT - COUPLING	1	
3		NSS	SEAL RING	1	
4		NSS	SEAL-COMMUTOR	5	
5		NSS	SEAL-D&W	1	
6		NSS	SEAL-SHAFT	1	
7		NSS	WASHER-BACKUP	1	
8		NSS	RING-BACKUP	1	
9		296265639	BEARING - FRONT RADIAL	1	
10		296265640	BEARING - REAR RADIAL	1	
11		296265641	BEARING - THRUST	1	
12		296265642	WASHER - THRUST	2	
		296265578	REPAIR KIT		Inc Ref 3-8
		296257255	MOTOR - 20.6 CU. IN. HYD.		Inc All Items In Figure
			NSS-NOT SOLD SEPARATEY		

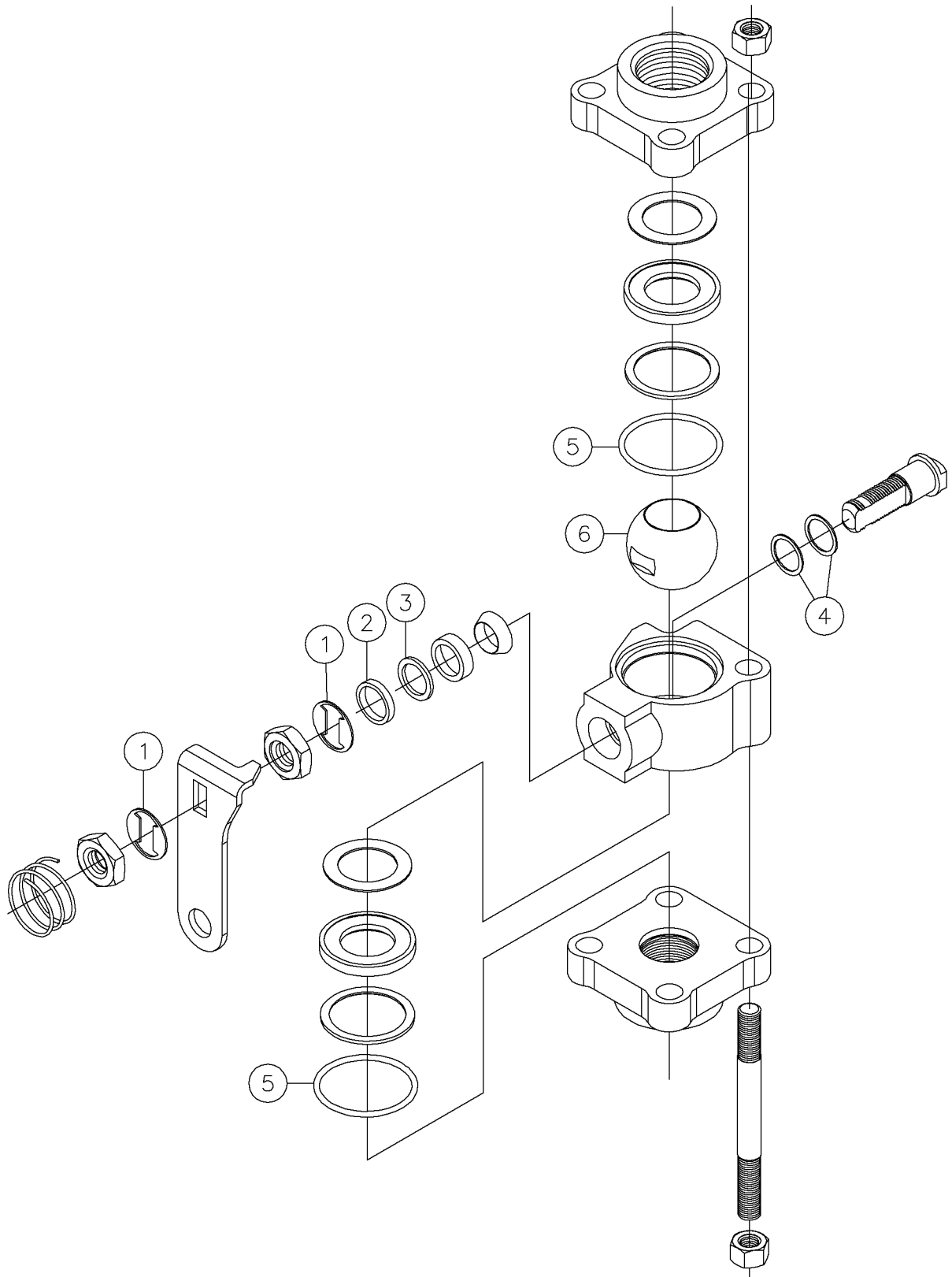
Water Shut-off Valve Fig 12-11r01



## Water Shut-off Valve Fig 12-11r01

REF. NO.	*	PART NO.	DESCRIPTION	QTY.	REMARKS
		Revision Date	March, 2005		Update In Illustration & Parts List.
1		245079003	STEM NUT	2	
2		245079005	GROUNDING SPRING	1	
3		245079037	BODY NUT	8	
4		245079009	STEM SPRING	2	
5		278003003	GLAND	1	
6		245079013	PACKING SUPPORT	1	
7		245079015	TOP PACKING	1	
8		245079017	BOTTOM PACKING	1	
9		278003004	BODY CENTER	1	
10		278003005	BEARING - STEM	2	
11		245079023	STEM	1	
12		245079025	BALL	1	
13		245079027	SUPPORT RING	2	
14		245079029	SEAT/SEAT SPRING	2	
15		245079031	O-RING	2	
16		278003006	FLANGE	2	
17		245079035	BODY STUD	4	
18		245079039	KIT-MAINTENANCE	1	(INC REF 4-6, 10 & 15)
19		278003001	VALVE - 1" 1500 PSI BRASS BALL	1	(INC ALL ITEMS IN THIS FIGURE)

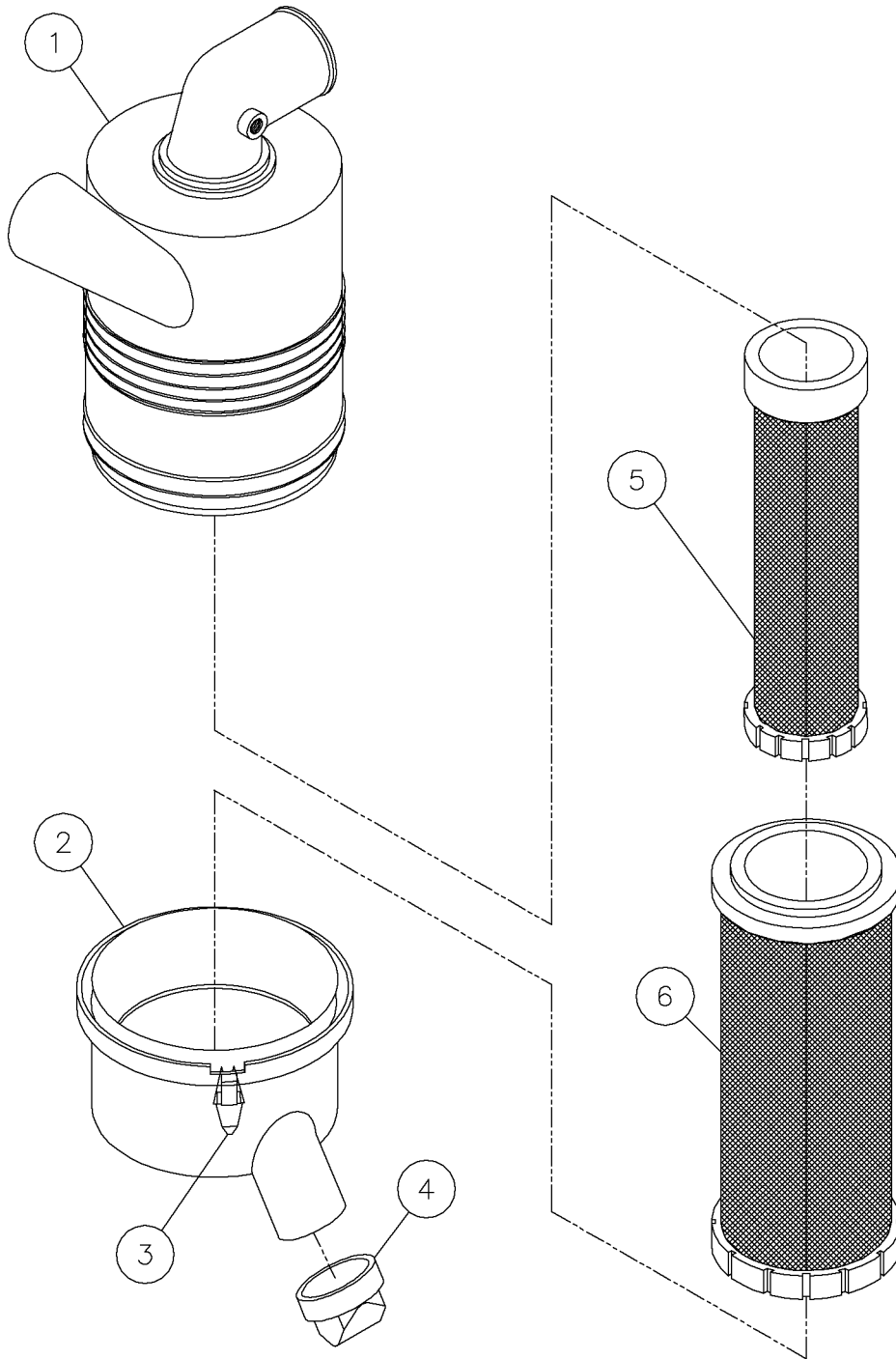
Water Shut-off Valve Fig 12-11



## Water Shut-off Valve Fig 12-11

REF. NO.	*	PART NO.	DESCRIPTION	QTY.	REMARKS
1		NSS	STEM SPRING	2	
2		NSS	GLAND	1	
3		NSS	PACKING SUPPORT	1	
4		NSS	BEARING-STEM	2	
5		NSS	O-RING	2	
6		245079025	BALL	1	
		245079039	KIT-MAINTENANCE		
		278003001	VALVE - 1" 1500 PSI BRASS BALL		
			NSS-NOT SOLD SEPARATEY		

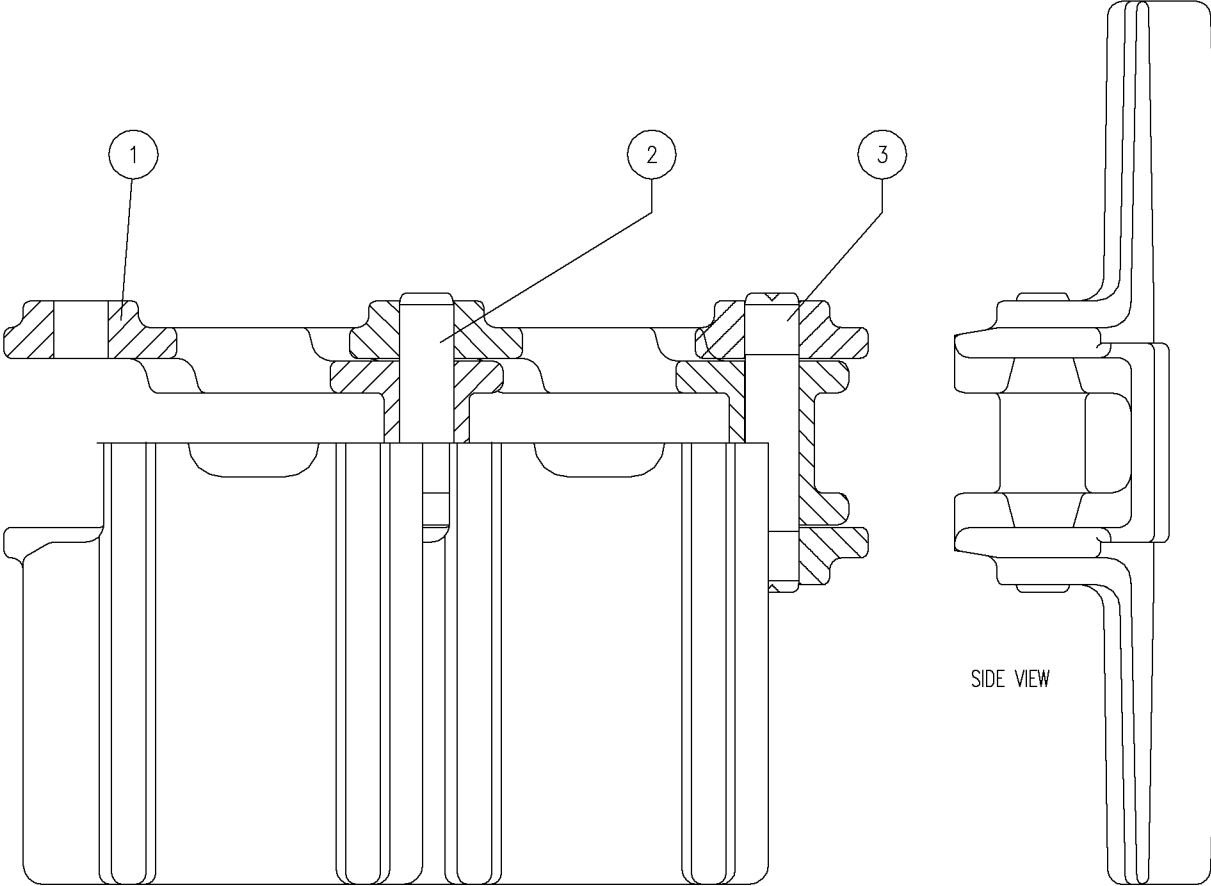
Air Cleaner Fig 12-12



## Air Cleaner Fig 12-12

REF. NO.	*	PART NO.	DESCRIPTION	QTY.	REMARKS
1		151942001	BODY - AIR INTAKE	1	
2		151943001	COVER - AIR INTAKE	1	
3		224285013	LATCH ASSEMBLY	1	
4		220166009	VALVE	1	
5		151940001	FILTER - SAFETY	1	
6		151941001	FILTER - PRIMARY	1	
		143036001	AIR CLEANER - 6", 90 DEG OUTLET		Inc Ref 1-6

Track-Chain Fig 12-13

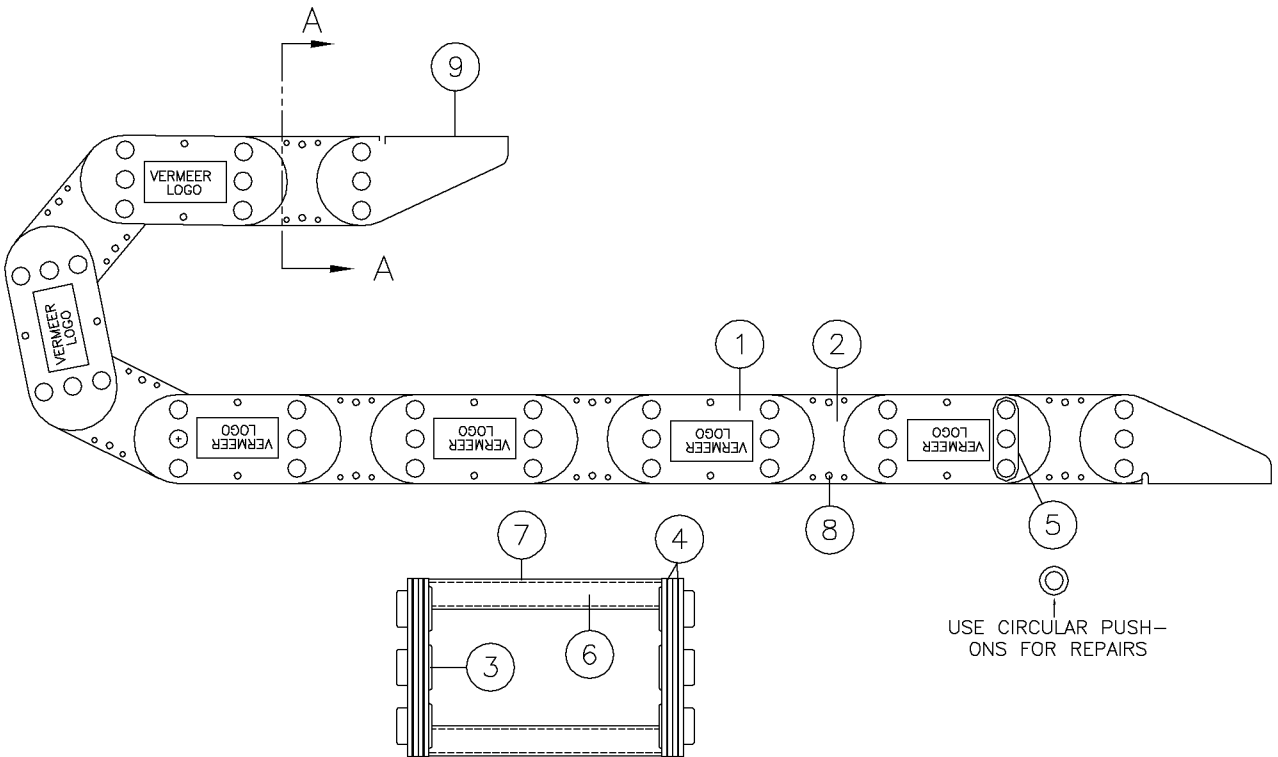




## Track-Chain Fig 12-13

REF. NO.	*	PART NO.	DESCRIPTION	QTY.	REMARKS
		Revision Date	December, 2006		Change Qty.
1		296271092	TRACK SECTION-STEEL	39	Steel
		296271093	TRACK SECTION-RUBBER	39	Rubber
2		296271091	TRACK PIN	38	
3		296271090	MASTER PIN	1	

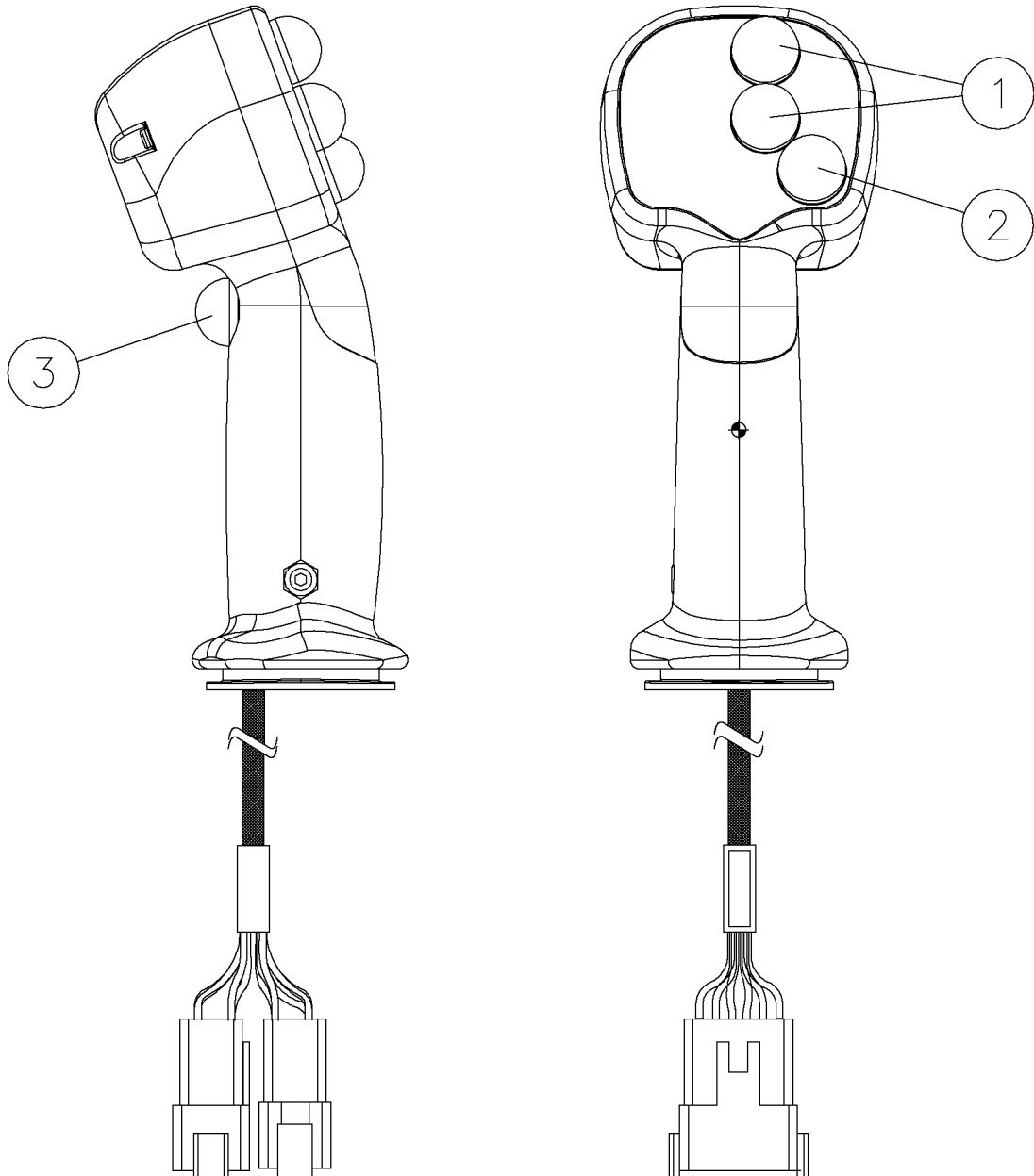
Hose Carrier Fig 12-14



## Hose Carrier Fig 12-14

REF. NO.	*	PART NO.	DESCRIPTION	QTY.	REMARKS
1		234256007	PT45E OUTER LINK W/VERMEERLOGO	24	
2		225192003	PT45E INNER LINK 5.709R	28	
3		234256017	PT45E HINGE PIN-PUSH ON FASTNR	72	
4		234256011	PT45E ANTI-FRICTION DISC	52	
5		296251021	PT45E ONE-PIECE PUSH ON	24	
6		225192005	PT35E/45E CARRIER ROD(5.100)	14	
7		225192007	PT35E/45E NYLON SLEEVE(4.900)	14	
8		234256019	BOLT-WHIZ LOCK .250-20 X .620	28	
9		234256003	PT45E MOUNTING BRACKET ASSY (L)	2	
		234256005	PT45E MOUNTING BRACKET ASSY(R)	2	

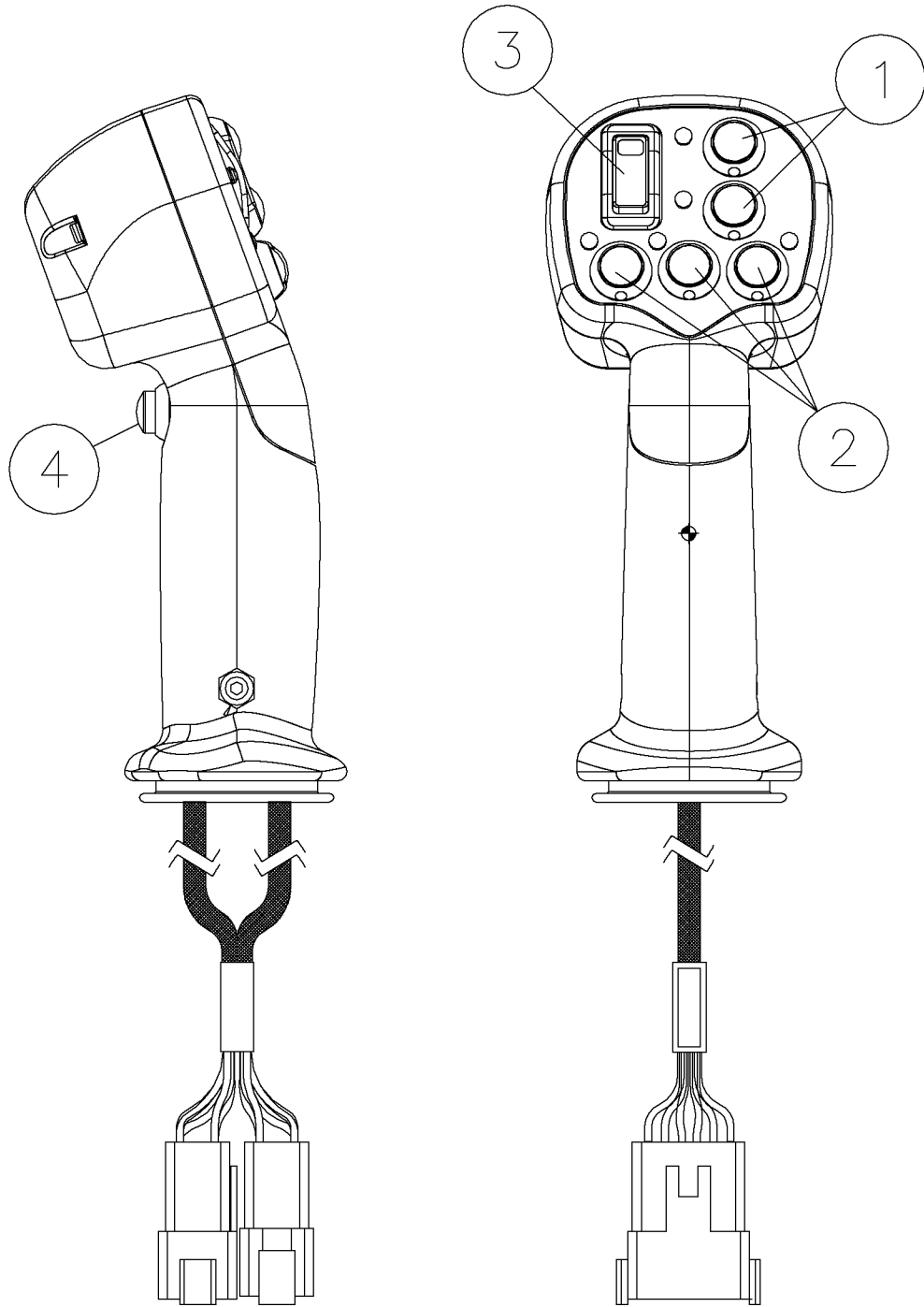
Right Control Grip (S/N 627-) Fig 12-15r02



## Right Control Grip (S/N 627-) Fig 12-15r02

REF. NO.	*	PART NO.	DESCRIPTION	QTY.	REMARKS
		Revision Date	December, 2006		Changed Joystick Part Number
1		296271136	SWITCH	2	
		296271135	BOOT -RUBBER		
2		296271137	SWITCH	1	
		296271135	BOOT -RUBBER		
3		296271138	SWITCH	1	
	*	296293811	HANDLE GRIP ASSEMBLY - JOYSTICK		(S/N 627-) Includes All Items In Figure
			RIGHT CONTROLLER BUTTON FUNCTIONS		
(1)		Right Side Top	FRONT VISE CLAMP		
		Right Side Middle	FRONT VISE RELEASE		
(2)		Right Side Bottom	REAR VISE/ROTATION		
			LEFT CONTROLLER BUTTON FUNCTIONS		
(1)		Left Side Top	ROD TRANSFER ARM EXTEND		
		Left Side Middle	ROD TRANSFER ARM RETRACT		
(2)		Left Side Bottom	ROD LIFTER		

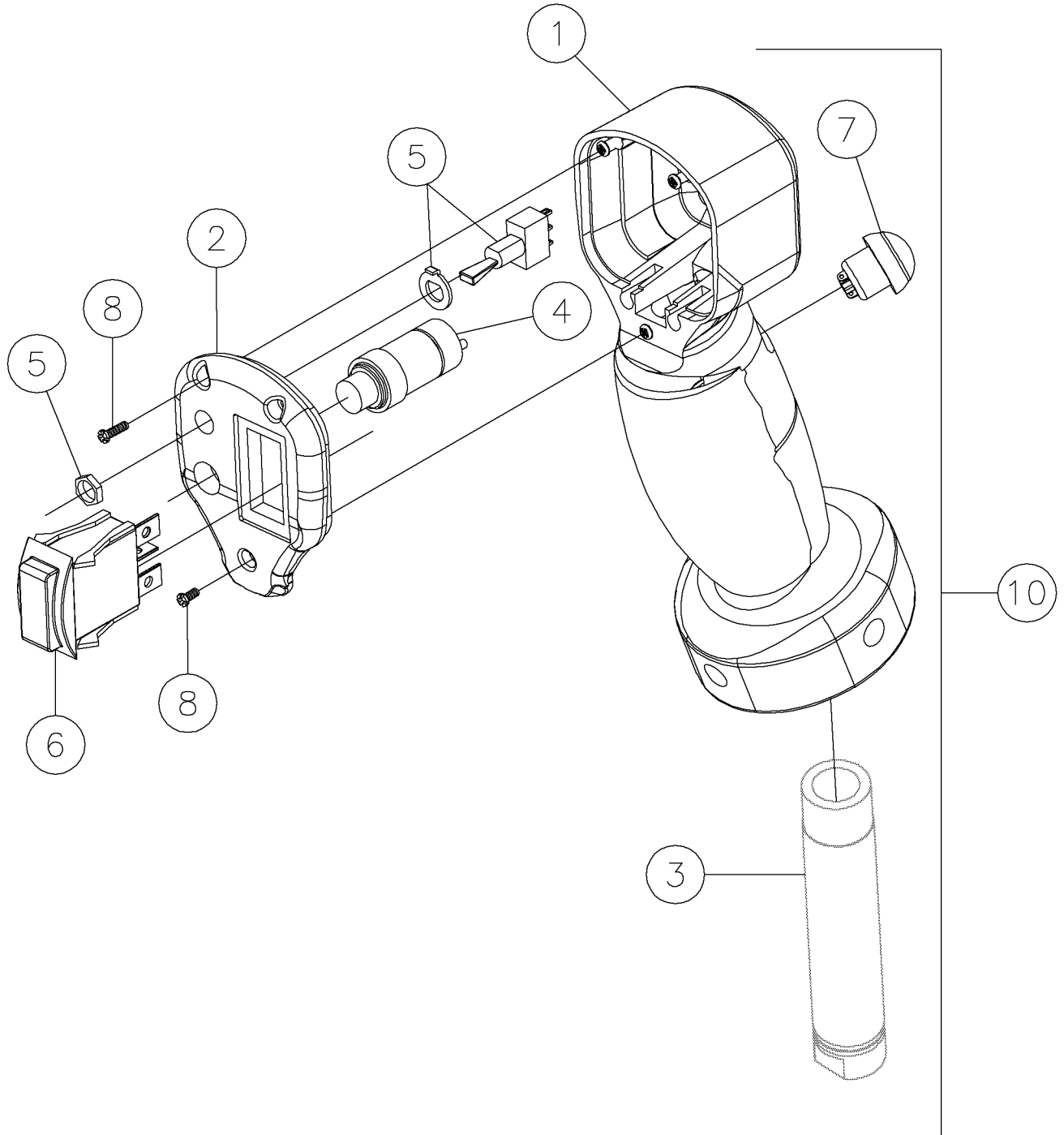
Right Control Grip Fig 12-15r01



## Right Control Grip Fig 12-15r01

REF. NO.	*	PART NO.	DESCRIPTION	QTY.	REMARKS
		Revision Date	August, 2006		Added Part Number for Rubber Boot
1		296271136	SWITCH	2	
	*	296271135	BOOT -RUBBER		
2		296271137	SWITCH	3	
	*	296271135	BOOT -RUBBER		
3		296271141	ROCKER SWITCH	1	
4		296271138	SWITCH	1	

Right Control Grip Fig 12-15

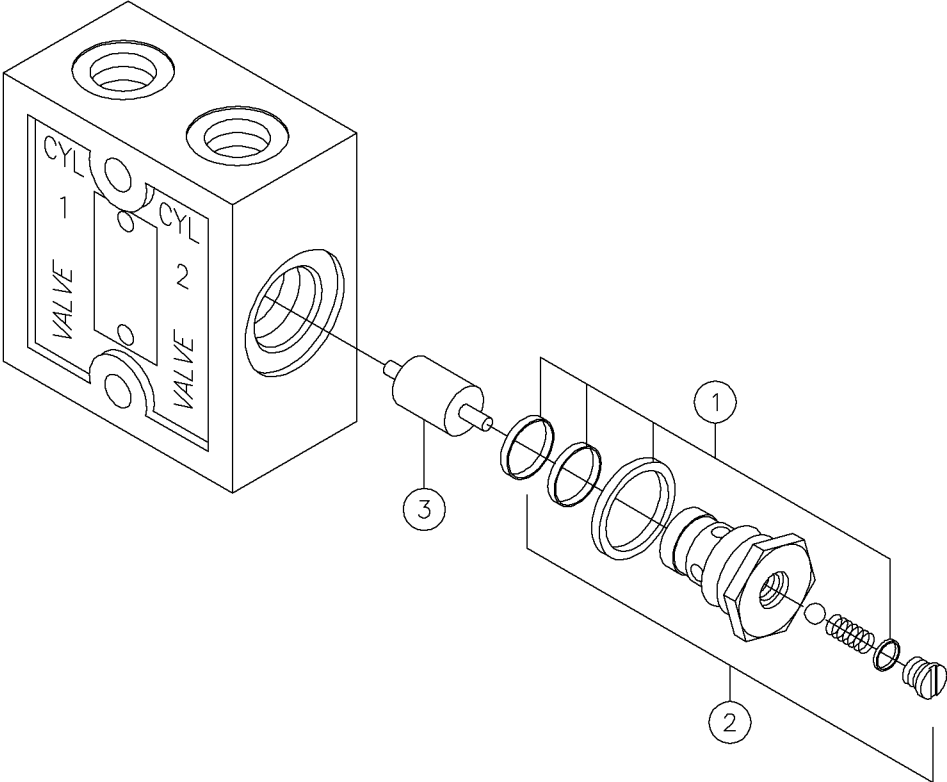




## Right Control Grip Fig 12-15

REF. NO.	*	PART NO.	DESCRIPTION	QTY.	REMARKS
1		277615002	BODY - GRIP LEFT HAND TRIGGER	1	
2		277746002	FACE PLATE - LEFT HAND GRIP	1	
3		277614002	ADAPTER ROD-3/8-16 INTERNAL THREADS	1	
4		277615006	SWITCH - PUSH BUTTON (MOMENTARY)	1	
5		277615005	SWITCH ASSY - TOGGLE MOMENT/OFF/MOMENT DPDT THRTLE	1	
6		277614006	ROCKER SWITCH ASSY - OFF/ON WATER	1	
7		277614004	SWITCH ASSY - RAISED DOME, RED MOMENTARY ACT.	1	
8		277614010	HI-LOW SCREW - SELF TAP #4 X 1/4"	1	
9		277614009	HI-LOW SCREW - SELF TAP #4X1/2"	2	
10		277746001	JOYSTICK GRIP - LEFT HAND (ROTATION)	1	Inc All Items In Figure

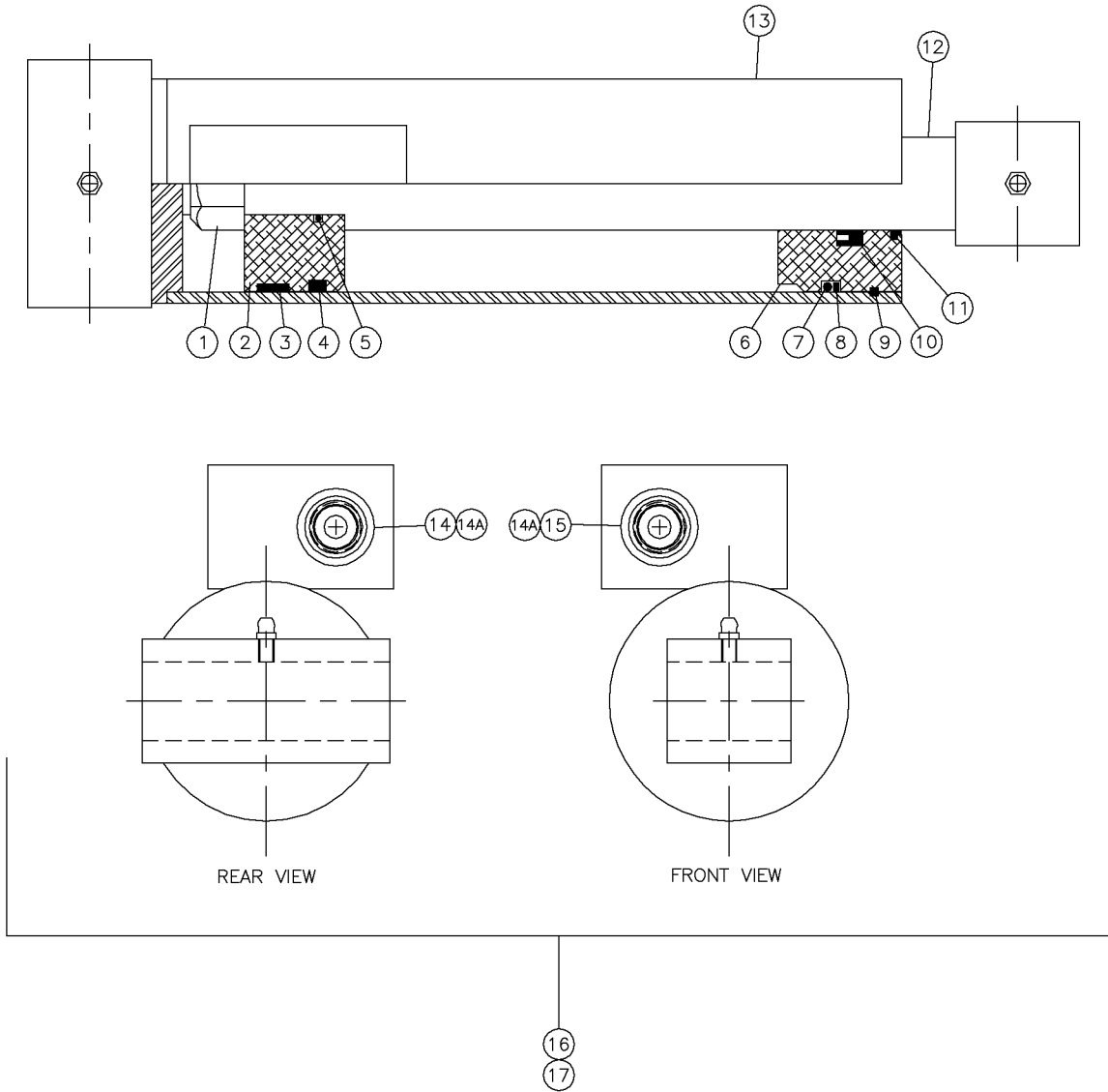
LOA Valve Fig 12-16



## LOA Valve Fig 12-16

REF. NO.	*	PART NO.	DESCRIPTION	QTY.	REMARKS
1		3216003	REPAIR KIT GRESEN K-26004		Inc Two Of Ref 2
2		3216005	REBUILDING KIT-D GRSN K-26002		Inc Two Of Ref 2 & One Of 3
3		NSS	PISTON-D	1	
		86668001	VALVE-LOA-6-D		Inc All Items In Figure
			NSS-NOT SOLD SEPARATEY		

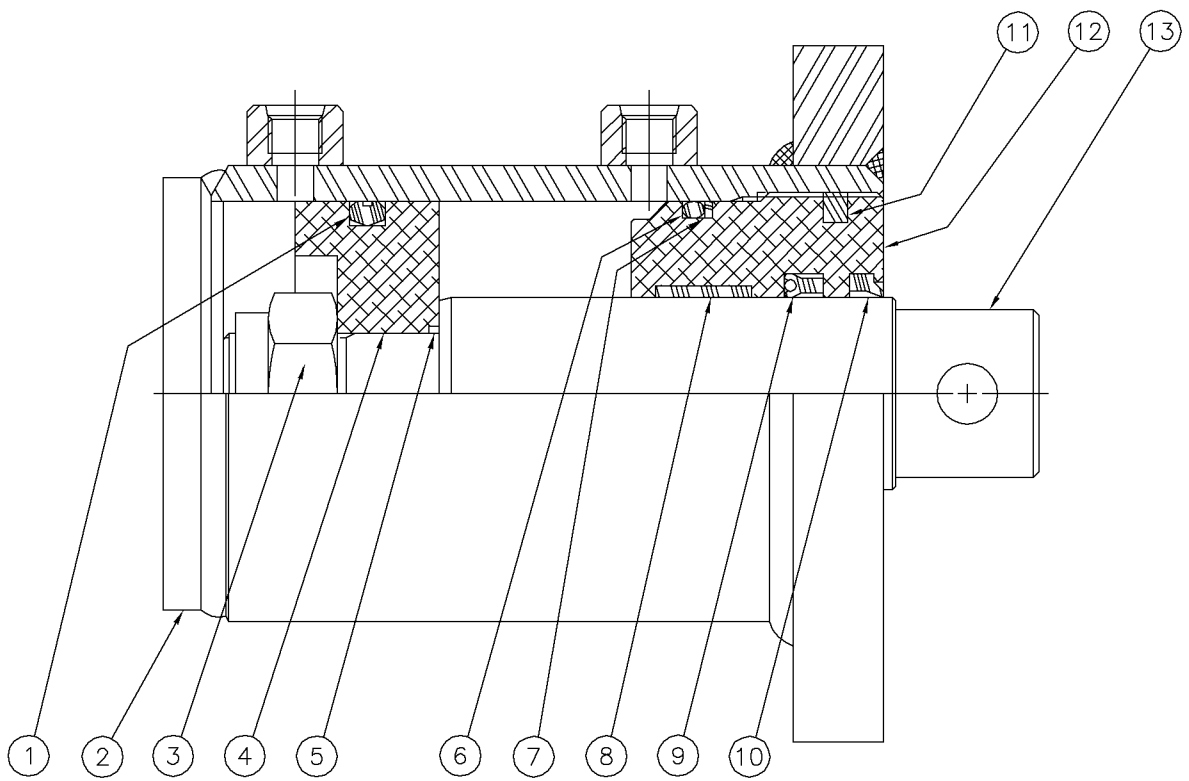
Outrigger Cylinder Fig 12-17



## Outrigger Cylinder Fig 12-17

REF. NO.	*	PART NO.	DESCRIPTION	QTY.	REMARKS
1		306011	NUT-1-14 SL PRINCE 220000210 REF T11277	1	
2		610291001	PISTON	1	
3		278769003	WEAR RING	1	
4		278769005	PSP SEAL	1	
5		278769007	O-RING	1	
6		278769009	HEAD	1	
7		278769011	O-RING	1	
8		278769013	BACKUP	1	
9		610292001	RETAINING RING	1	
10		236113021	POLYPAK	1	
11		236113023	DUST SEAL	1	
12		278769015	SHAFT W/ CLEVIS	1	
13		278769017	BARREL ASSEMBLY (W/O VALVE)	1	
14		278769019	VALVE	1	
14A		278769021	REPAIR KIT	2	
15		278769023	VALVE	1	
16		278769025	REPAIR KIT	1	Inc Ref 3-5, 7, 8, 10, 11
17		278769001	CYLINDER-3 1/2"BORE X 7"STROKE	1	Inc All Items In Figure

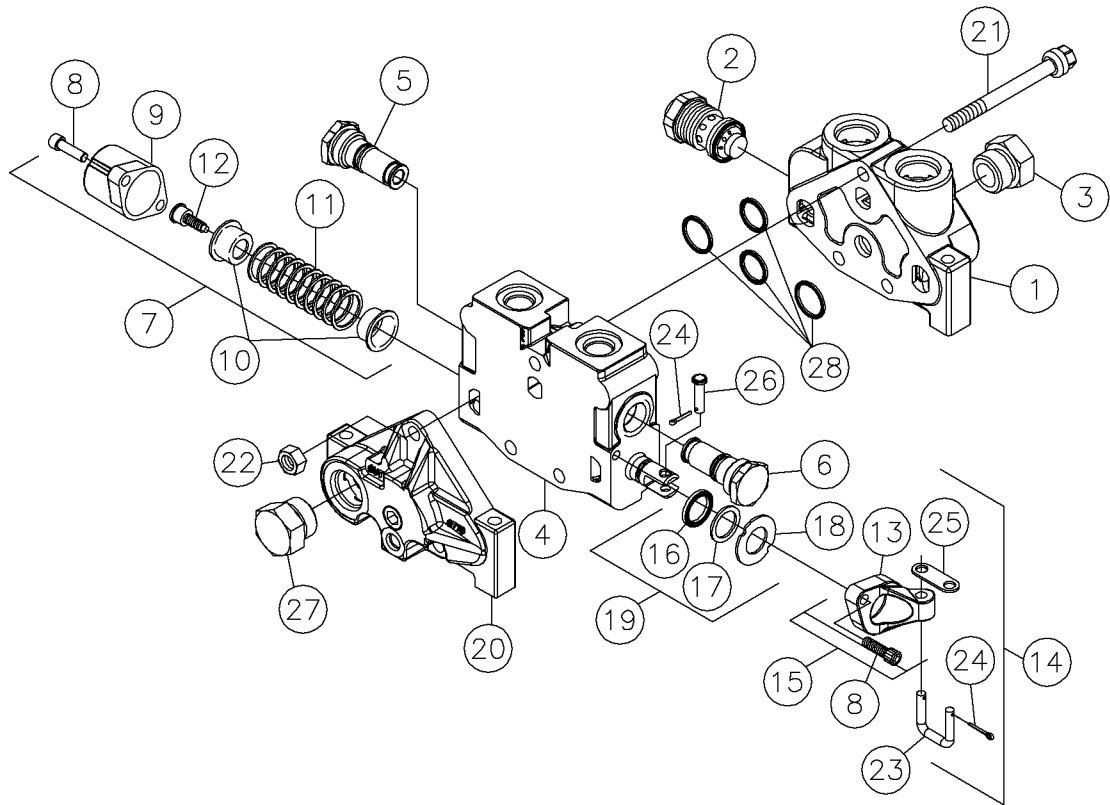
Vise Cylinder Fig 12-18



## Vise Cylinder Fig 12-18

REF. NO.	*	PART NO.	DESCRIPTION	QTY.	REMARKS
1		232499003	UNIRING	1	
2		232499005	TUBE WELDMENT	1	
3		140007009	LOCKNUT- 1.25-12 UNF	1	
4		232499007	PISTON	1	
5		140007011	O-RING	1	
6		215657019	O-RING	1	
7		215657023	BACKUP RING	1	
8		110188017	WEARBAND	2	
9		94488025	POLYPAK	1	
10		94488027	WIPER-ROD	1	
11		104012005	LOCKING INSERT	1	
12		232499009	HEAD GLAND	1	
13		232499011	CYLINDER ROD	1	
		232499013	SEAL KIT		Inc Ref 1, 5-11
		232499001	CYLINDER-3X2 CLAMP		Inc Ref 1-13

Thrust Valve Fig 12-19r01

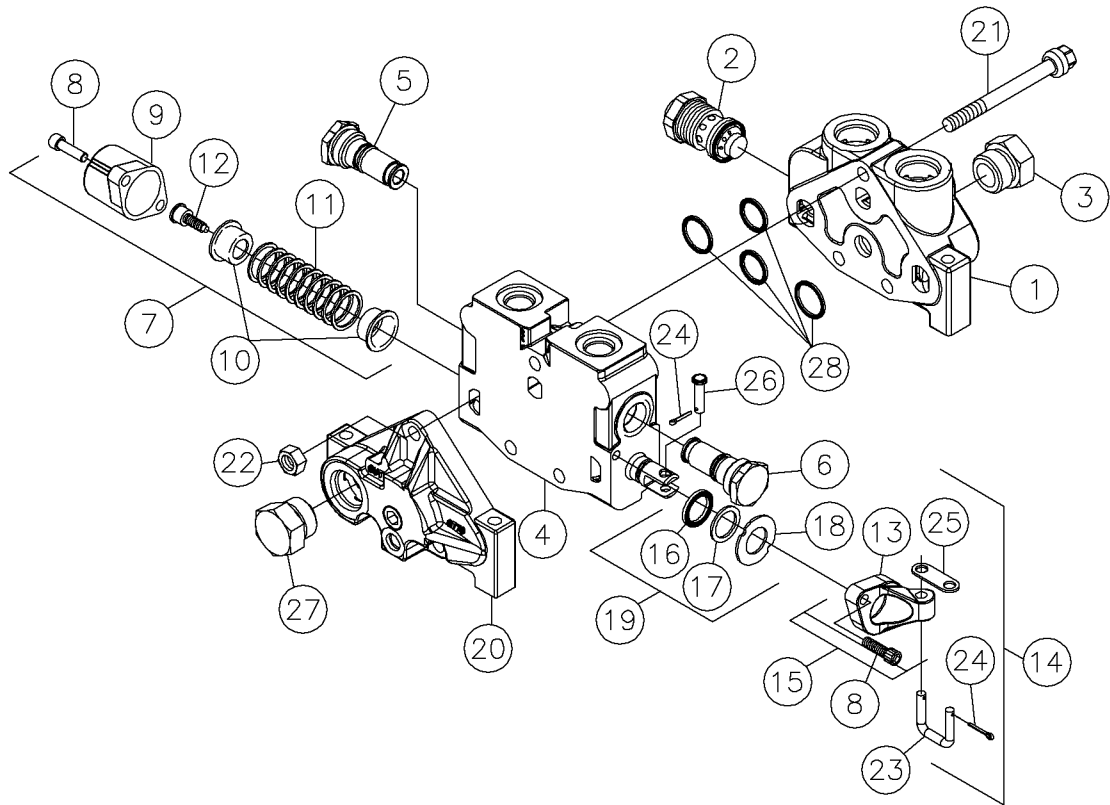




## Thrust Valve Fig 12-19r01

REF. NO.	*	PART NO.	DESCRIPTION	QTY.	REMARKS
		Revision Date	March, 2005		Update In Parts List.
1		296271107	LEFT COVER ASSY	1	
2		163622262	RELIEF CARTRIDGE	1	
		10867005	REP. KIT-NO RELF PLUG GK28062	1	
3		296271096	SAE 12/SAE 4 PLUG	1	
4		296271108	CENTER SECTION	1	
5		296271102	RELIEF CARTRIDGE	1	
		10867005	REP. KIT-NO RELF PLUG GK28062	1	
6		296271103	RELIEF CARTRIDGE	1	
		3147037	REPAIR KIT GRESEN K-6032	1	
7		407002001	SPOOL POSITIONER	1	Inc Two Ref 8, One Of Ref 9, Two Of Ref 10, And One Of Ref 11-12.
8		608286001	SCREW	4	
9		608282001	BONNET	1	
10		608284001	SPRING COLLAR	2	
11		608283001	SPRING	1	
12		608285001	SPOOL SPUD	1	
13		3147029	BRACKET GRESEN 1801-001	1	
14		296271104	LINK AND PIN KIT	1	Inc One Of Ref 23, Two Of Ref 24 And One Of Ref 25.
15		3148003	BRACKET-HANDLE GRESEN K-6031	1	
16		296271105	SPOOL SEAL	1	
17		13102017	WASHER-BACKUP 3265-001	1	
18		608250001	SEAL-PLATE	1	
19		296271106	SPOOL SEAL KIT	1	Inc Ref 16-18
20		87395001	COVER-RIGHT	1	
21		296271109	HEX BOLT	3	
22		296271110	HEX NUT	3	
23		4333003	LINK-	1	
24		510035	PIN-3/32 X 1/2 COTTER	3	
25		4333005	PLATE-LINK	1	
26		2110003	PIN - CLEVIS 1/4 X 7/8 - 47/64 UL ZINC	1	
27		3152011	PLUG SAE 12 GRESEN 1726-001	1	
28		232347025	SECTION SEAL KIT	1	
		296273473	VALVE - SINGLE SECTION THRUST		Inc All Items In Figure

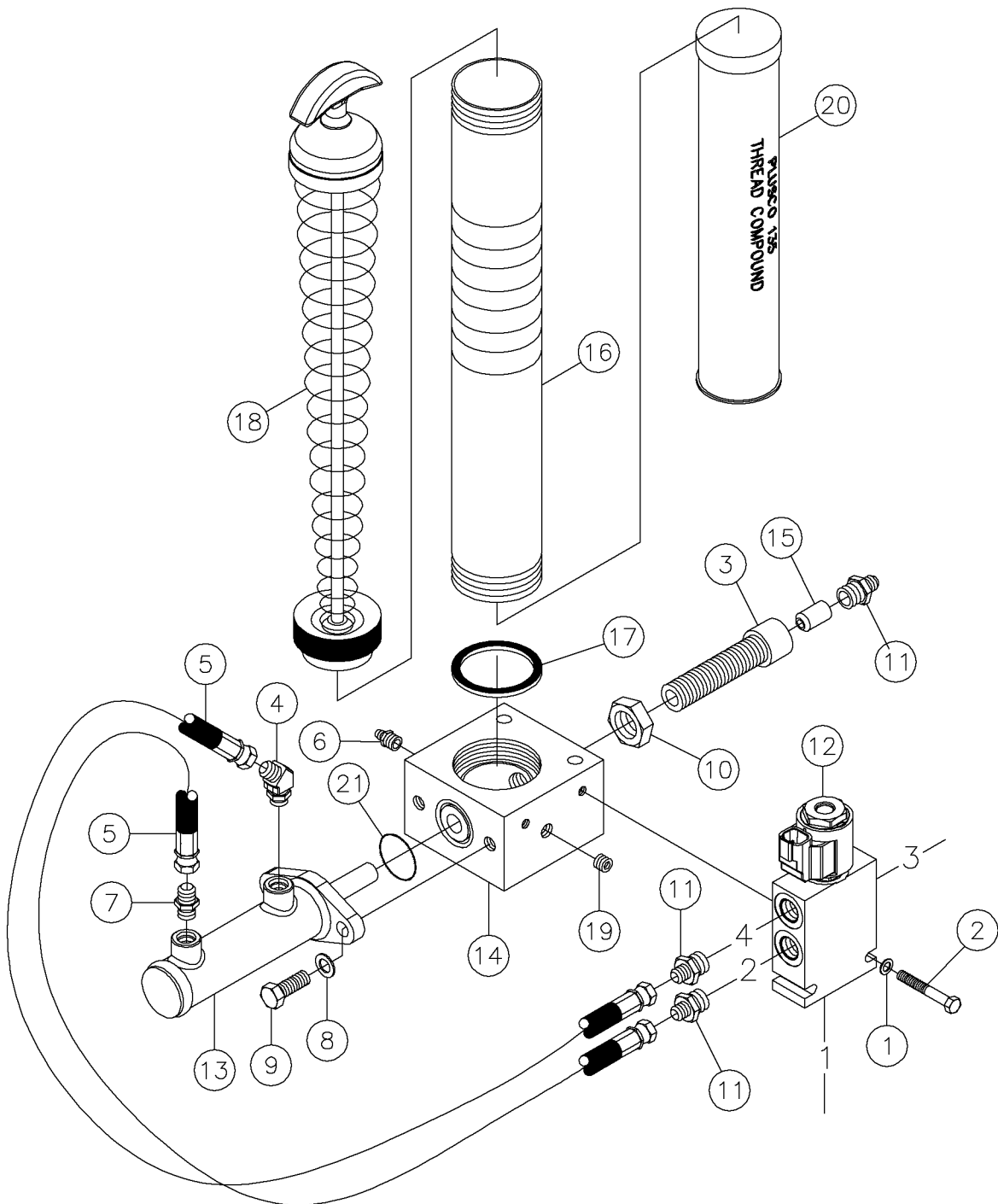
Thrust Valve Fig 12-19



## Thrust Valve Fig 12-19

REF. NO.	*	PART NO.	DESCRIPTION	QTY.	REMARKS
1		296271107	LEFT COVER ASSY	1	
2		163622262	RELIEF CARTRIDGE	1	
		10867005	REP. KIT-NO RELF PLUG GK28062	1	
3		296271096	SAE 12/SAE 4 PLUG	1	
4		296271108	CENTER SECTION	1	
5		296271102	RELIEF CARTRIDGE	1	
		10867005	REP. KIT-NO RELF PLUG GK28062	1	
6		296271103	RELIEF CARTRIDGE	1	
		3134037	REPAIR KIT	1	
7		407002001	SPOOL POSITIONER	1	Inc Two Ref 8, One Of Ref 9, Two Of Ref 10, And One Of Ref 11-12.
8		608286001	SCREW	4	
9		608282001	BONNET	1	
10		608284001	SPRING COLLAR	2	
11		608283001	SPRING	1	
12		608285001	SPOOL SPUD	1	
13		3147029	BRACKET GRESEN 1801-001	1	
14		296271104	LINK AND PIN KIT	1	Inc One Of Ref 23, Two Of Ref 24 And One Of Ref 25.
15		3148003	BRACKET-HANDLE GRESEN K-6031	1	
16		296271105	SPOOL SEAL	1	
17		13102017	WASHER-BACKUP 3265-001	1	
18		608250001	SEAL-PLATE	1	
19		296271106	SPOOL SEAL KIT	1	Inc Ref 16-18
20		87395001	COVER-RIGHT	1	
21		296271109	HEX BOLT	3	
22		296271110	HEX NUT	3	
23		4333003	LINK-	1	
24		510035	PIN-3/32 X 1/2 COTTER	3	
25		4333005	PLATE-LINK	1	
26		2110003	PIN - CLEVIS 1/4 X 7/8 - 47/64 UL ZINC	1	
27		3152011	PLUG SAE 12 GRESEN 1726-001	1	
28		232347025	SECTION SEAL KIT	1	
		296273473	VALVE - SINGLE SECTION THRUST		Inc All Items In Figure

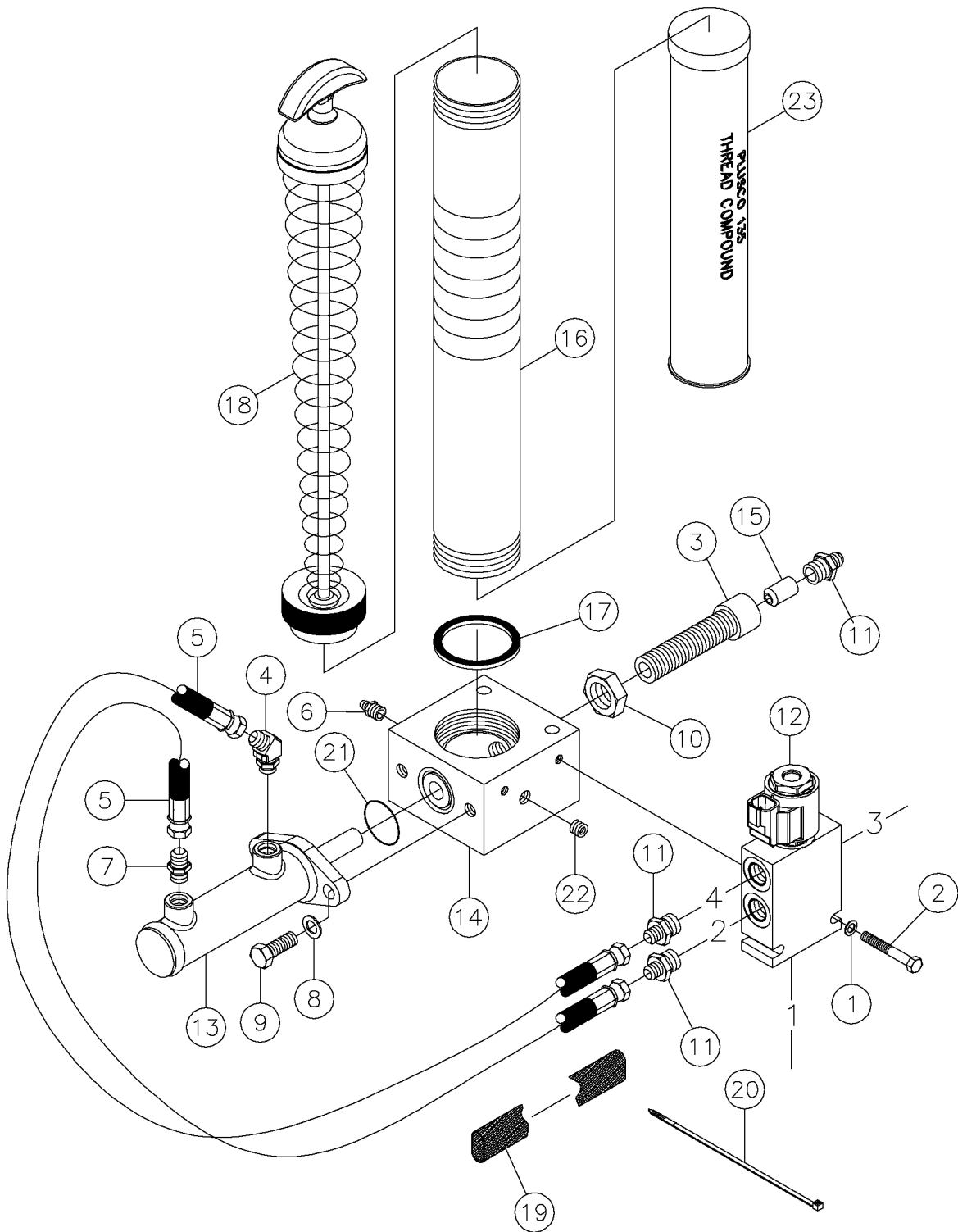
Auto Greaser Fig 12-20r01



## Auto Greaser Fig 12-20r01

REF. NO.	*	PART NO.	DESCRIPTION	QTY.	REMARKS
		Revision Date	March, 2005		Update In Illustration & Parts List.
1		510337603	WASHER-FLATSTD-.25-.31X.75-.07-YZ	2	
2		248107001	BOLT-1/4-20X1 3/4 GR 8 ZINC PL	2	
3		294896001	SLEEVE - GREASE PUMP	1	
4		58295001	FITTING-4M OR X 4M JIC 45 DEG.	1	
5		53843195	HOSE-1/4X16 4FS JIC 3000 PSI	2	
6		586001	ZERK-1/8" ST NPT GREASE	1	
7		60908001	FITTING-4MX4M JIC STR ADAPTER	1	
8		235713001	WASHER - FLATSTRL - .38 - .41 X .81 - .06-YA-A325	2	
9		235727001	BOLT-3/8-16X1 GR8 HEX ZINC PLT	2	
10		456001	NUT-3/4 N.F. HEX JAM	1	
11		57968001	FITTING-STR-4MJ-6MORB	3	
12		294901001	VALVE - GREASER	1	Breakdown Fig. 12-21
13		294899001	CYLINDER - HYD 1 X 2-3/8	1	Breakdown Fig. 12-22
14		294895001	HOUSING - GREASE PUMP	1	
15		294905001	VALVE - INSERT CHECK, 1/2"	1	
16		294910001	TUBE - GREASE	1	
17		294902001	GASKET - GREASE TUBE	1	
18		294903001	FOLLOWER - GREASE TUBE AY	1	
19		296258613	FITTING -1/8 NPT HEX SOCKET - .25L	1	
20		296274014	THREAD COMPOUND CARTRIDGE SINGLE TUBE	1	
21		296262010	O-RING - 213 .139 X .921 ID	1	
		296274030	THREAD - COMPOUND 3/10PACKS - CARTRIDGES	A/R	
		296274031	THREAD - COMPOUND CARTRIDGE 30 PACK	A/R	
		294900001	GREASE PUMP AY - VAR DISP		Inc All Items In Figure

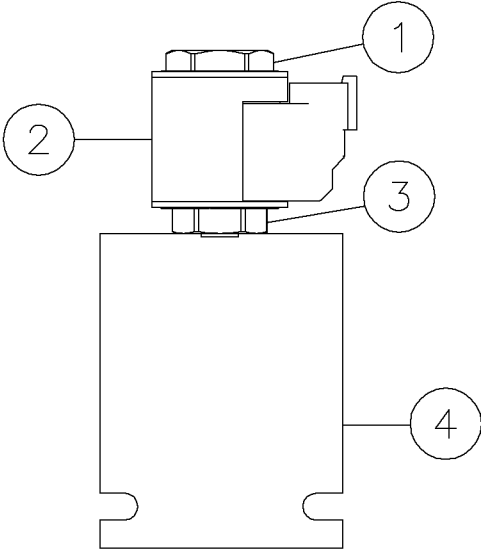
Auto Greaser Fig 12-20



## Auto Greaser Fig 12-20

REF. NO.	*	PART NO.	DESCRIPTION	QTY.	REMARKS
1		510337603	WASHER-FLATSTD-.25-.31X.75-.07-YZ	2	
2		248107001	BOLT-1/4-20X1 3/4 GR 8 ZINC PL	2	
3		294896001	SLEEVE - GREASE PUMP	1	
4		58295001	FITTING-4M OR X 4M JIC 45 DEG.	1	
5		53843195	HOSE-1/4X16 4FS JIC 3000 PSI	2	
6		586001	ZERK-1/8" ST NPT GREASE REF TR00484	1	
7		60908001	FITTING-4MX4M JIC STR ADAPTER	1	
8		235713001	WASHER - FLATSTRL - .38 - .41 X .81 - .06-YA-A325	2	
9		235727001	BOLT-3/8-16X1 GR8 HEX ZINC PLT	2	
10		456001	NUT-3/4 N.F. HEX JAM REF T03763	1	
11		57968001	FITTING-STR-4MJ-6MORB	3	
12		294901001	VALVE - GREASER	1	Breakdown Fig. 11-21
13		294899001	CYLINDER - HYD 1 X 2-3/8	1	Breakdown Fig. 11-22
14		294865001	TUBE - ROD LIFTER	1	
15		294905001	VALVE - INSERT CHECK, 1/2"	1	
16		294910001	TUBE - GREASE	1	
17		294902001	GASKET - GREASE TUBE	1	
18		294903001	FOLLOWER - GREASE TUBE AY	1	
19		235824001	CORDURA SLEEVE-NHS-090	A/R	
20		59634001	SINGLE NYTIE - 8"	4	
21		296262010	O-RING - 213 .139 X .921 ID	1	
22		296258613	FITTING -1/8 NPT HEX SOCKET - .25L	1	
23		296274014	THREAD COMPOUND CARTRIDGE SINGLE TUBE	1	
		296274030	THREAD - COMPOUND 3/10PACKS - CARTRIDGES	A/R	
		296274031	THREAD - COMPOUND CARTRIDGE 30 PACK	A/R	
		294900001	GREASE PUMP AY - VAR DISP		Inc Al Items In Figure

Auto Greaser Valve Fig 12-21

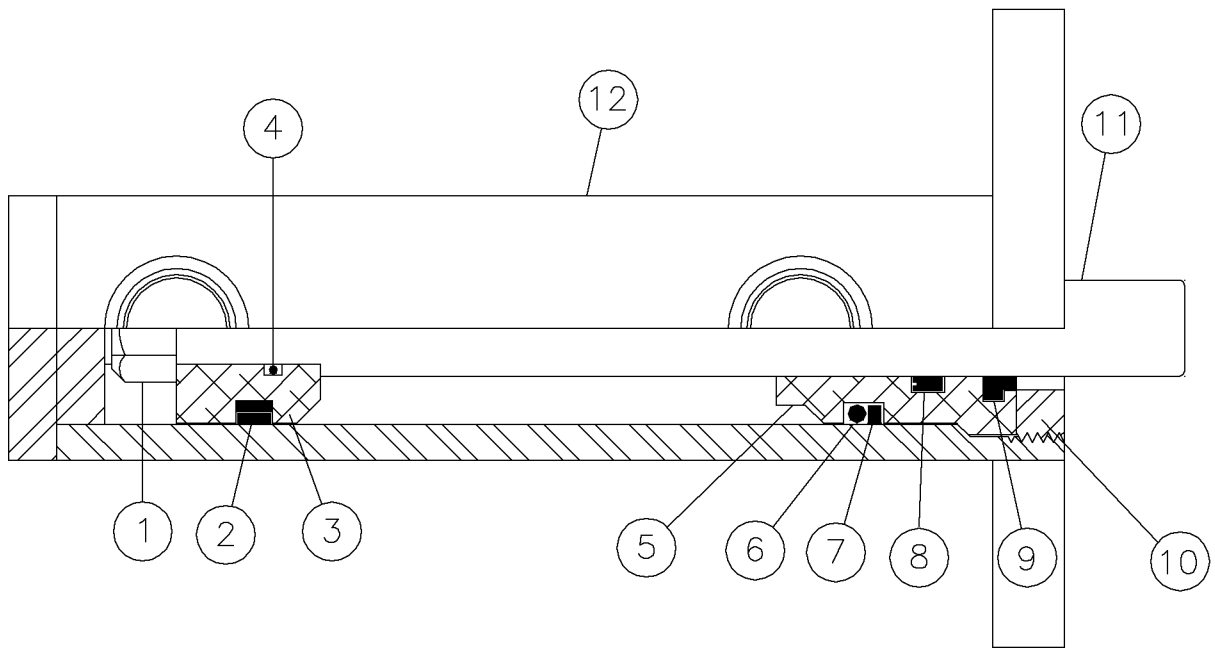




## Auto Greaser Valve Fig 12-21

REF. NO.	*	PART NO.	DESCRIPTION	QTY.	REMARKS
1		296265526	NUT-COIL	1	
2		296265527	COIL	1	
3		244725009	CARTRIDGE - SOLENOID	1	
		244725011	SEAL KIT	1	
4		NSS	BLOCK	1	
		294901001	VALVE - GREASER		Inc Ref 1-4
			NSS-Not Sold Separately		

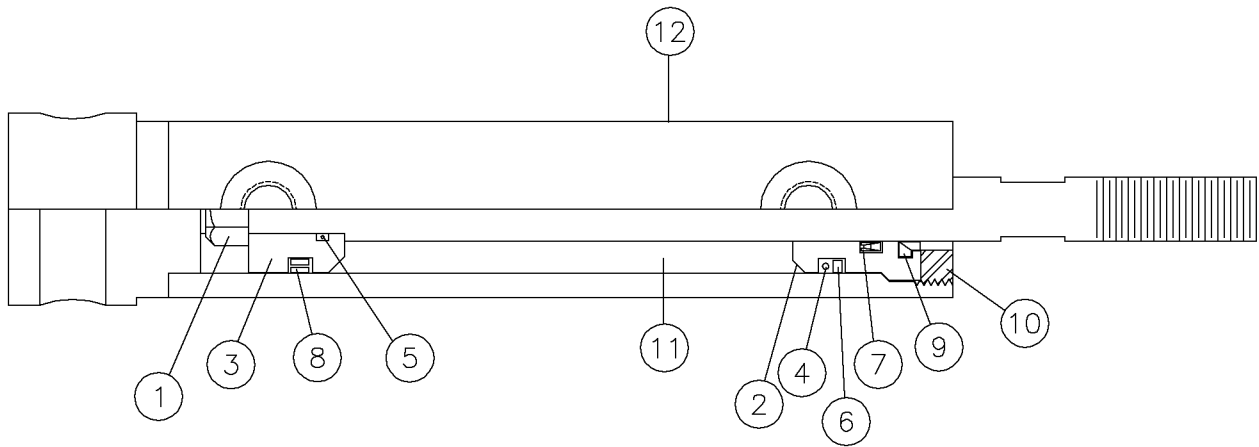
Auto Greaser Cylinder Fig 12-22



## Auto Greaser Cylinder Fig 12-22

REF. NO.	*	PART NO.	DESCRIPTION	QTY.	REMARKS
1		236113003	NUT	1	
2		NSS	PSP-SEAL	1	
3		296251772	PISTON	1	
4		NSS	O-RING	1	
5		234359007	HEAD	1	
6		NSS	O-RING	1	
7		NSS	BACKUP	1	
8		NSS	ROD SEAL	1	
9		NSS	DUST SEAL	1	
10		234359013	COLLAR	1	
11		296265525	ROD-CYLINDER	1	
12		296265524	BODY-CYLINDER	1	
		296251775	SEAL KIT	1	Inc Ref 2,4, & 6-9
		294899001	CYLINDER - HYD 1 X 2-3/8	1	Inc Ref 1-12
			NSS-Not Sold Separately		

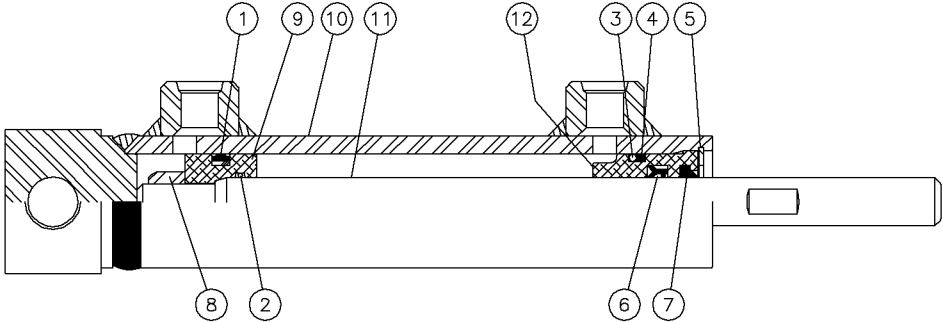
Water Shutoff Cylinder (S/N 628-) Fig 12-23r01



## Water Shutoff Cylinder (S/N 628-) Fig 12-23r01

REF. NO.	*	PART NO.	DESCRIPTION	QTY.	REMARKS
		Revision Date	September, 2006		Change Cylinder
1			NUT	1	
2			HEAD	1	
3			PISTON	1	
4			O-RING	1	
5			O-RING	1	
6			BACKUPS	3	
7			BS SEAL	1	
8			PSP SEAL	1	
9			DUST SEAL	1	
10			COLLAR	1	
11		296285210	SHAFT	1	
12			BARREL WITH CLEVIS AND PORTS	1	
	*	296285658	CYLINDER 1 X 3 1/2		(S/N 628-) Inc. All Items In Figure
		296285211	SEAL KIT		Inc Items 4 thru 9

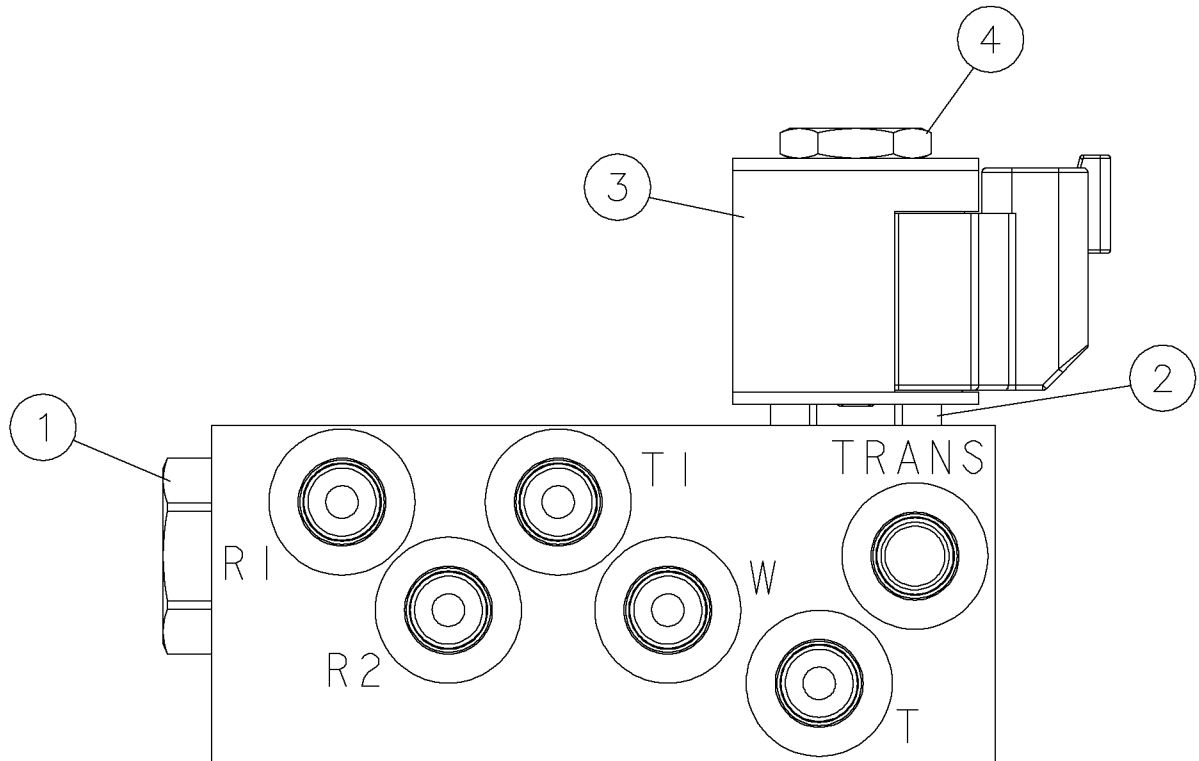
Water Shutoff Cylinder Fig 12-23



## Water Shutoff Cylinder Fig 12-23

REF. NO.	*	PART NO.	DESCRIPTION	QTY.	REMARKS
1		NSS	SEAL-PPS	1	
2		NSS	O-RING	1	
3		NSS	O-RING	1	
4		NSS	BACKUP RING	1	
5		NSS	SNAP RING-INTERNAL	1	
6		NSS	U-CLIP-DOUBLE LIP	1	
7		NSS	WIPER ROD	1	
8		296254582	LOCKNUT	1	
9		296254583	PISTON	1	
10		296254584	BARREL ASSEMBLY	1	
11		296254585	ROD ASSEMBLY	1	
12		296254586	SNAP RING HEAD	1	
		287591001	CYLINDER - 1 X 3-1/2		Inc Ref 1-12
		296254587	SEAL KIT		Inc Ref 1-7
			NSS-NOT SOLD SEPARATELY		

Remote Lockout Valve Fig 12-24r01

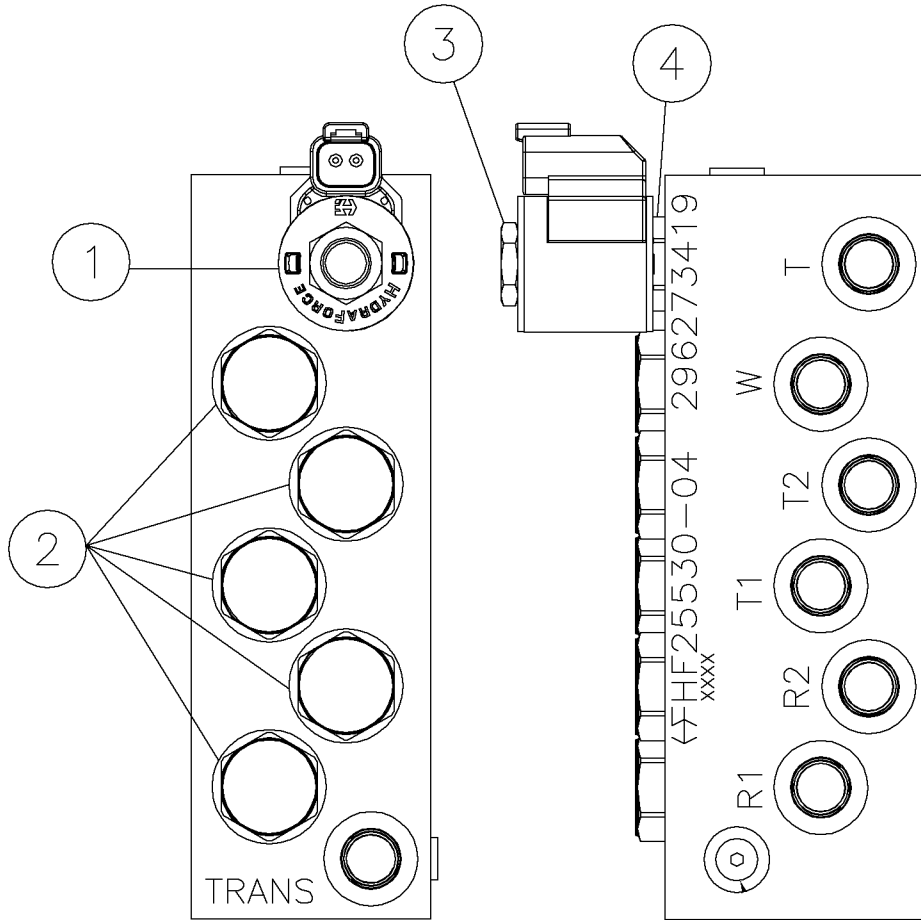




## Remote Lockout Valve Fig 12-24r01

REF. NO.	*	PART NO.	DESCRIPTION	QTY.	REMARKS
		Revision Date	March, 2005		Update In Illustration & Parts List.
1		296276754	LOAD SENSE VALVE	1	
		296276755	SEAL KIT	1	
2		251120003	POPPET - 2 WAY N/C	1	
		296271087	SEAL KIT	1	
3		296271115	COIL	1	
4		224886007	NUT	1	

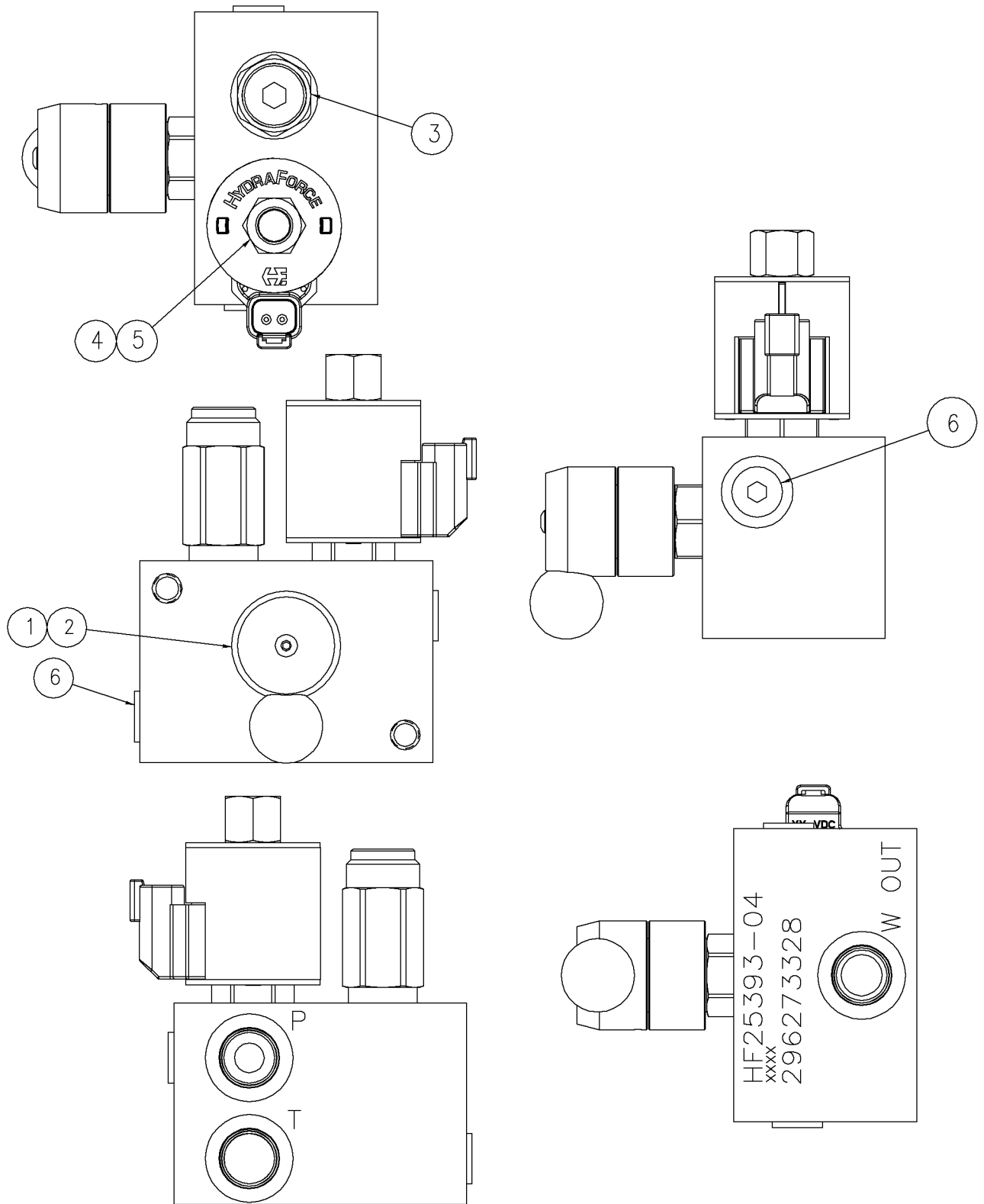
Remote Lockout Valve Fig 12-24



## Remote Lockout Valve Fig 12-24

REF. NO.	*	PART NO.	DESCRIPTION	QTY.	REMARKS
1		296251243	VALVE - HIGH PRESSURE CHECK	5	
		296271089	SEAL KIT		
2		296271115	COIL	1	
3		244725007	NUT - COIL	1	
4		250131005	CARTRIDGE - 2 WAY NC HP	1	
		296271087	SEAL KIT		
		296273419	VALVE - REMOTE LOCKOUT		Inc All Items In Figure

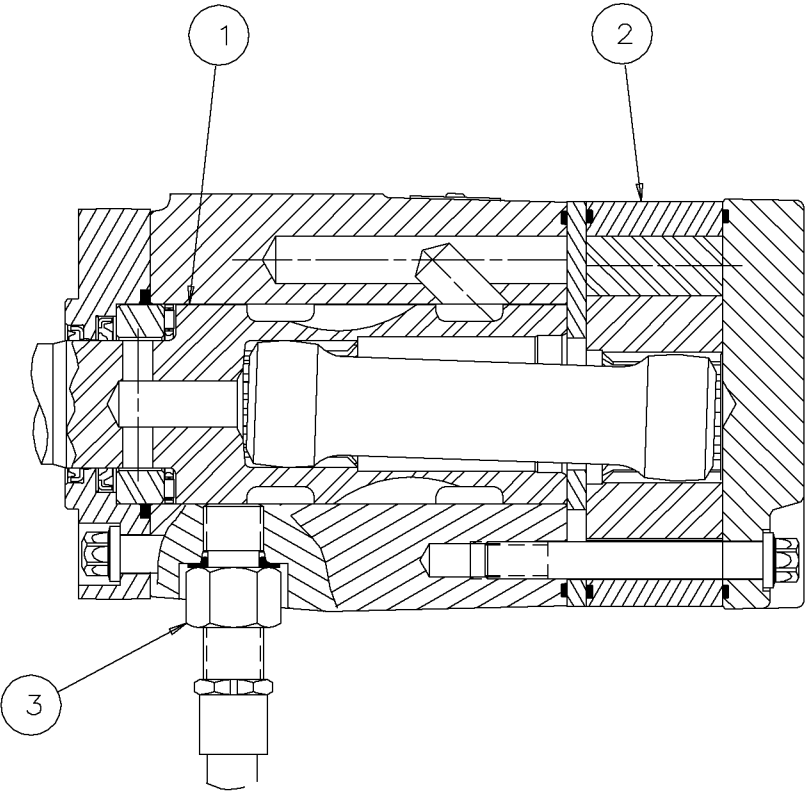
Water Pump Manifold Valve Fig 12-25



## Water Pump Manifold Valve Fig 12-25

REF. NO.	*	PART NO.	DESCRIPTION	QTY.	REMARKS
1		296272915	MANUAL RELEASE VALVE	1	
2		296272916	KNOB KIT	1	
3		296272917	RELIEF VALVE	1	
4		296272918	SOLENOID VALVE	1	
5		296271077	COILS	1	
6		500659021	SAE PLUG	2	
		296273328	VALVE - WATER PUMP MANIFOLD		Inc All Items In Figure

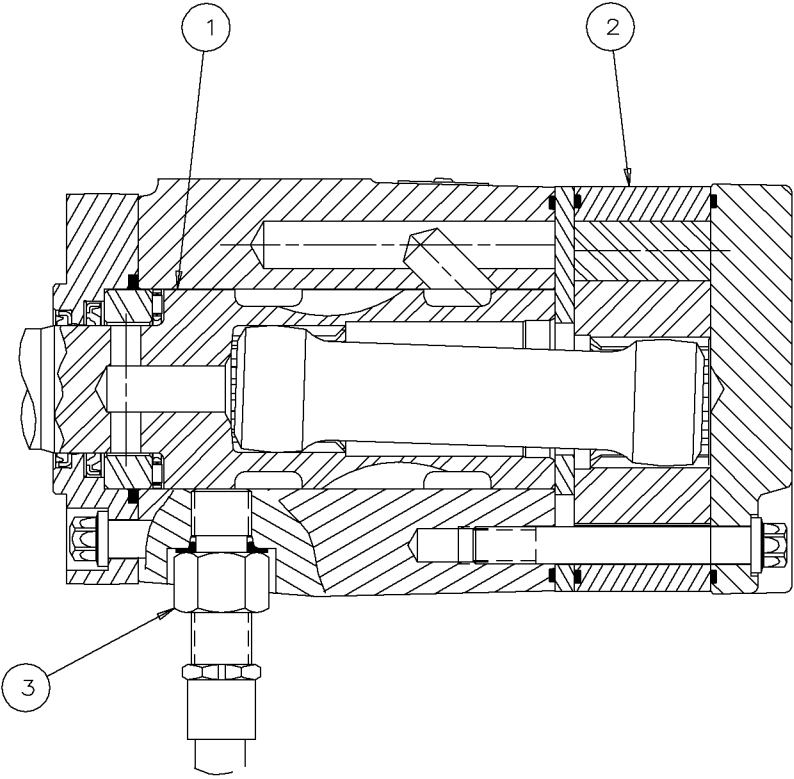
Water Pump Motor Fig 12-26r01



Water Pump Motor Fig 12-26r01

REF. NO.	*	PART NO.	DESCRIPTION	QTY.	REMARKS
		Revision Date	March, 2005		Update In Parts List.
1		296272898	OUTPUT SHAFT	1	296280259
	*	234678005	SHAFT-OUTPUT	1	296280258
2		296276756	GEROLER SUB - ASSEMBLY	1	296280259
	*	296276756	GEROLER SUB - ASSEMBLY	1	296280258
3		251106009	SPEED PICKUP - ELECTRONIC	1	296280259
		296280259	MOTOR - 3.0 CID T-SERIES W/ SPEED SENSOR		Inc All Items In Figure
		219177015	SEAL KIT	1	
	*	296280258	MOTOR - 3.0 CID T-SERIES		Inc Items 1-2
	*	219177015	SEAL KIT	1	
			(*) Without Speed Sensor		

Water Pump Motor Fig 12-26

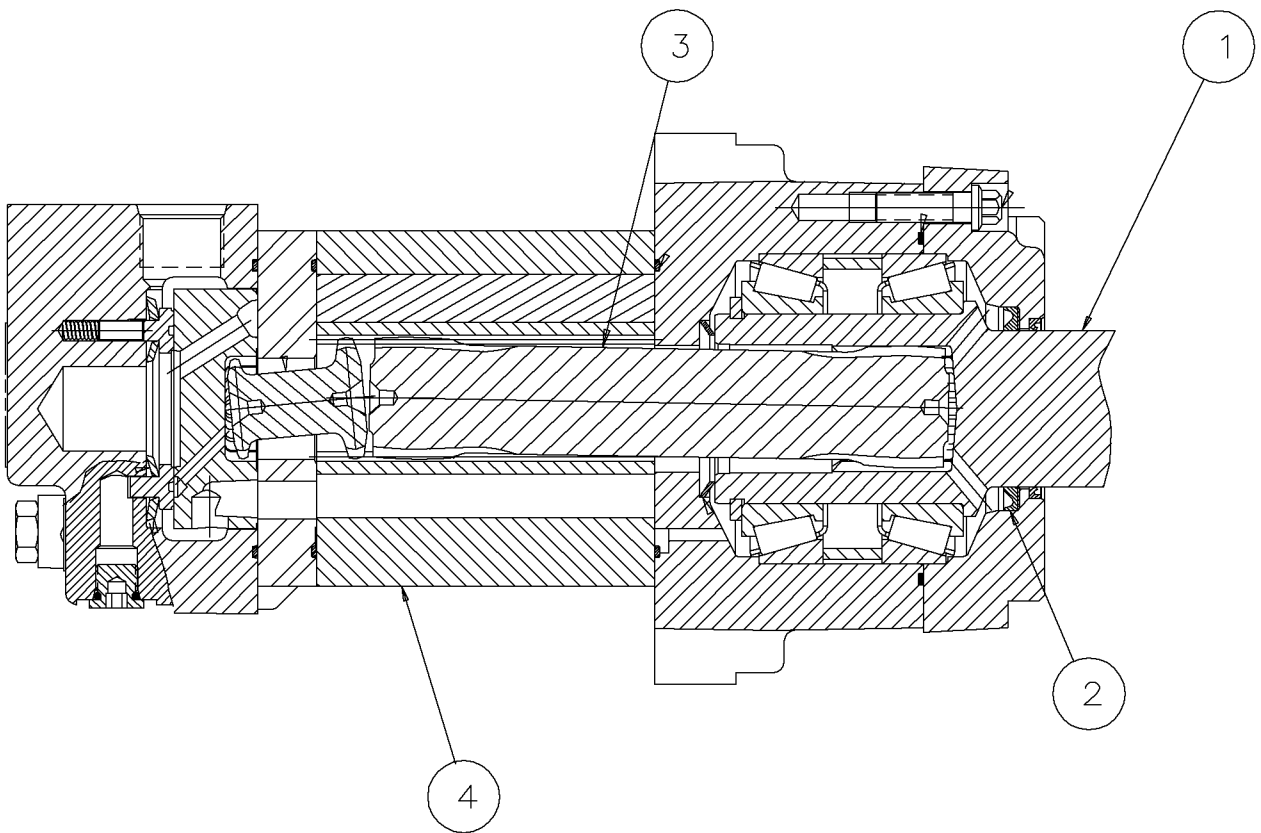




## Water Pump Motor Fig 12-26

REF. NO.	*	PART NO.	DESCRIPTION	QTY.	REMARKS
1		296272898	OUTPUT SHAFT	1	296273484
	*	234678005	SHAFT-OUTPUT	1	296273483
2		296272899	GEROLER SUB-ASSEMBLY	1	296273484
	*	296272899	GEROLER SUB-ASSEMBLY	1	296273483
3		251106009	SPEED PICKUP - ELECTRONIC	1	296273484
		296273484	MOTOR - 2.2 CID W/SPEED SENSOR		Inc All Items In Figure
		219177015	SEAL KIT	1	
	*	296273483	MOTOR - 2.2 CID		Inc Items 1-2
	*	219177015	SEAL KIT		
			(*) Without Speed Sensor		

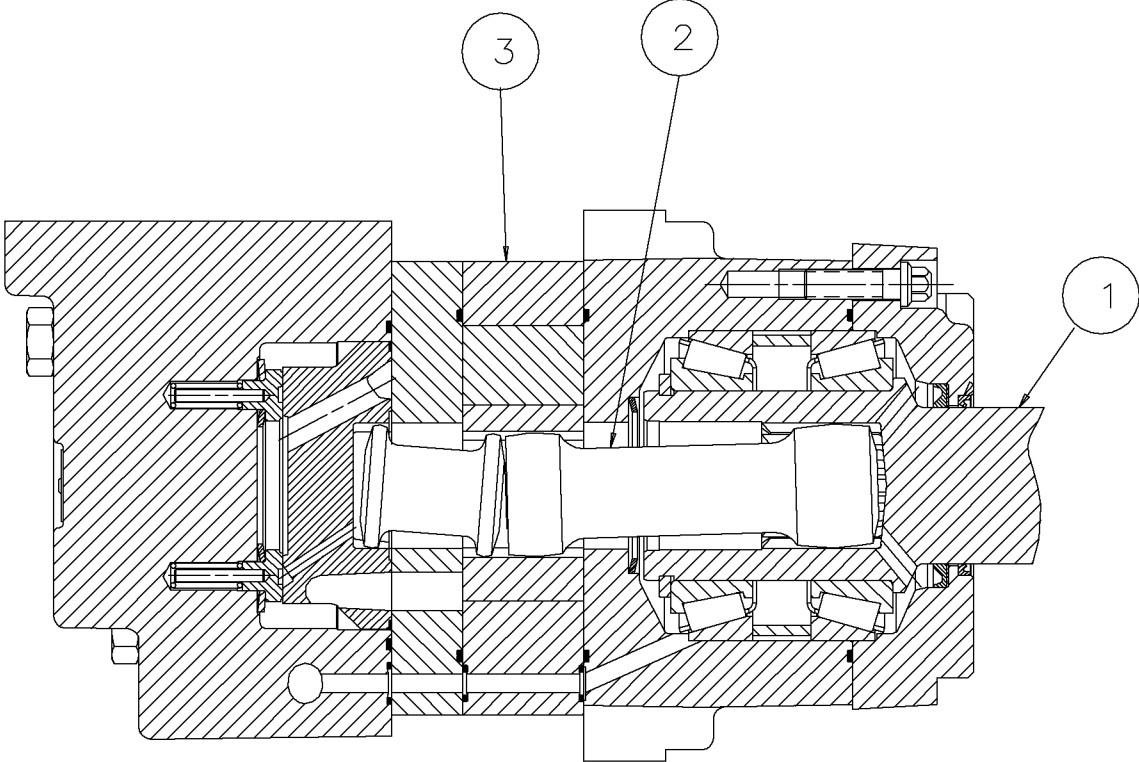
Thrust/Pullback Motor Fig 12-27



## Thrust/Pullback Motor Fig 12-27

REF. NO.	*	PART NO.	DESCRIPTION	QTY.	REMARKS
1		296271078	SHAFT SUB ASSEMBLY	1	
2		296272895	SEAL-SHAFT	1	
3		296272893	DRIVE	1	
4		296272894	GEROLIER SUB-ASSEMBLY	1	
		296276509	HYDRAULIC MOTOR, 19.8 CU		Inc All Items In Figure
		180005762	SEAL KIT	1	

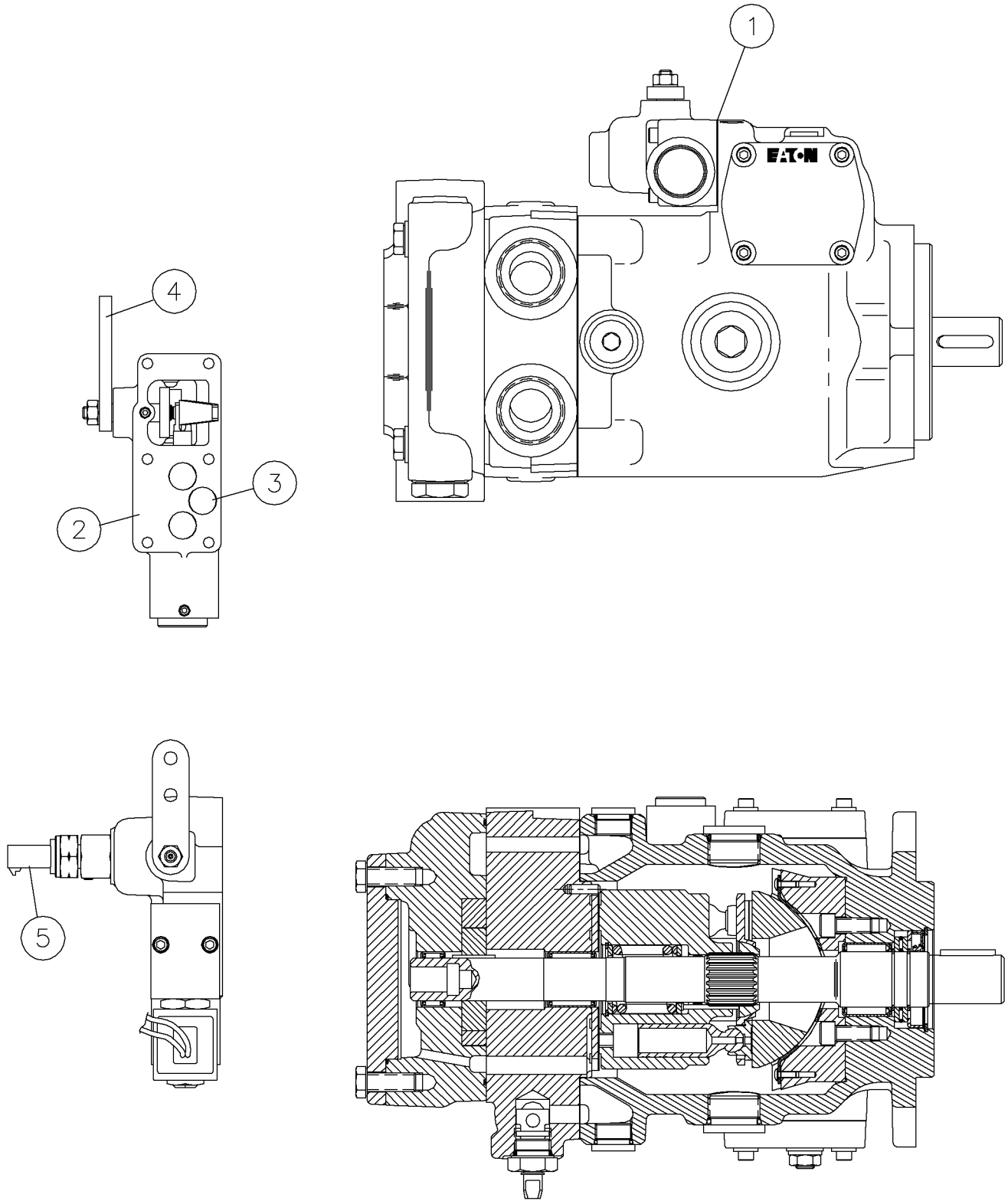
Gearbox Motor Fig 12-28



## Gearbox Motor Fig 12-28

REF. NO.	*	PART NO.	DESCRIPTION	QTY.	REMARKS
1		296272896	SHAFT - SUB-ASSEMBLY	1	
2		217192005	DRIVE	1	
3		296272897	GROLER SUB-ASSEMBLY	1	
		296276508	HYDRAULIC MOTOR 19 CU		Inc All Items In Figure
		53853027	REPAIR KIT-MOTOR 6	1	

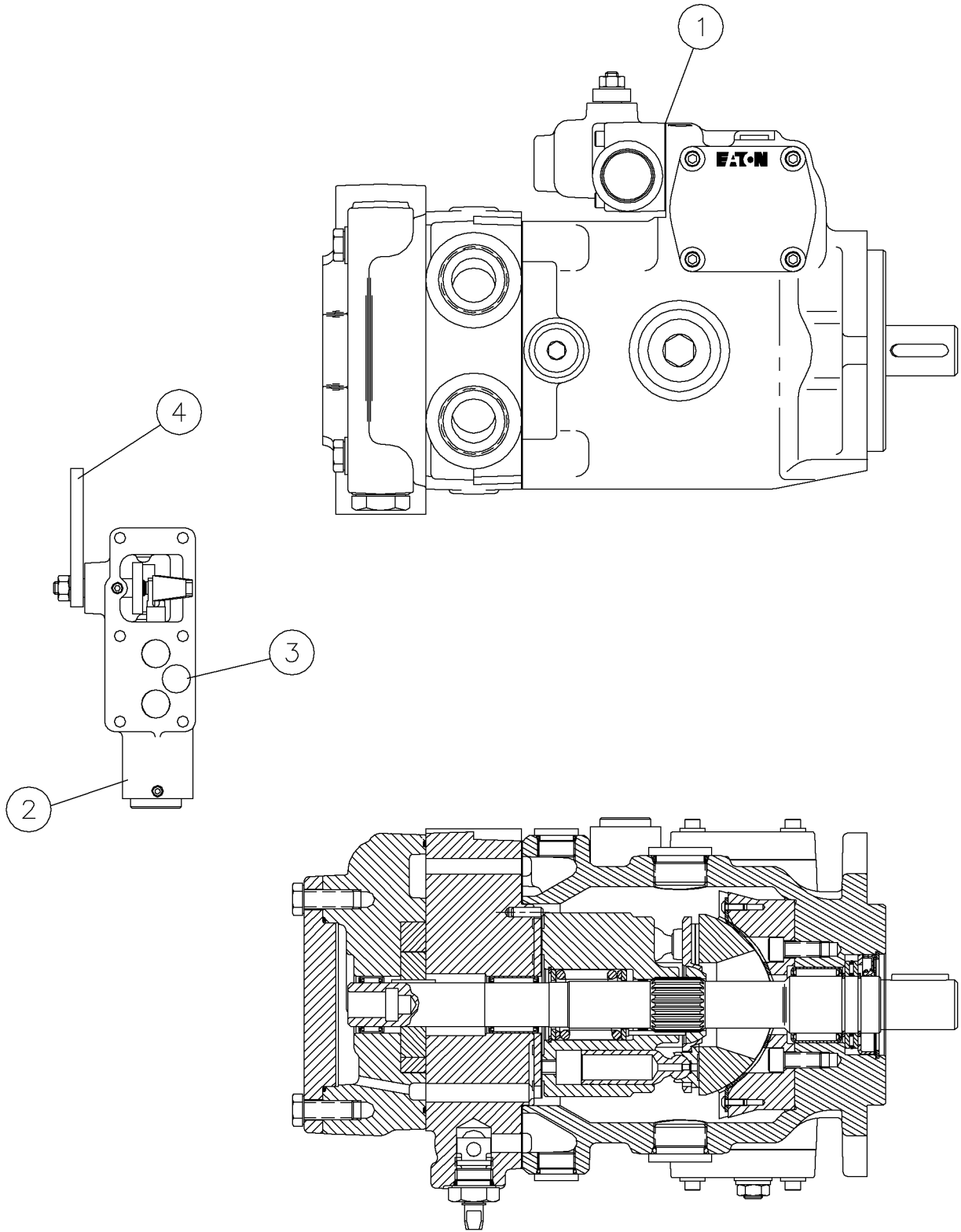
Pump - Rotation Fig 12-29r03



## Pump - Rotation Fig 12-29r03

REF. NO.	*	PART NO.	DESCRIPTION	QTY.	REMARKS
		Revision Date	June, 2006		Update In Illustration & Parts List.
1		223978111	GASKET-CONTROL HOUSING	1	
2		223978113	SERVO CONTROL ASSY	1	
3		251565009	ORIFICE	1	
4		223978005	ARM-CONTROL	1	
5		255052037	NEUTRAL LOCKOUT SWITCH	1	
		296276780	HYDROSTATIC PUMP - 2.14 CID		Inc. All Items In Figure
		235621013	SEAL KIT-MANUAL CONTROL	1	

Pump - Rotation Fig 12-29r02

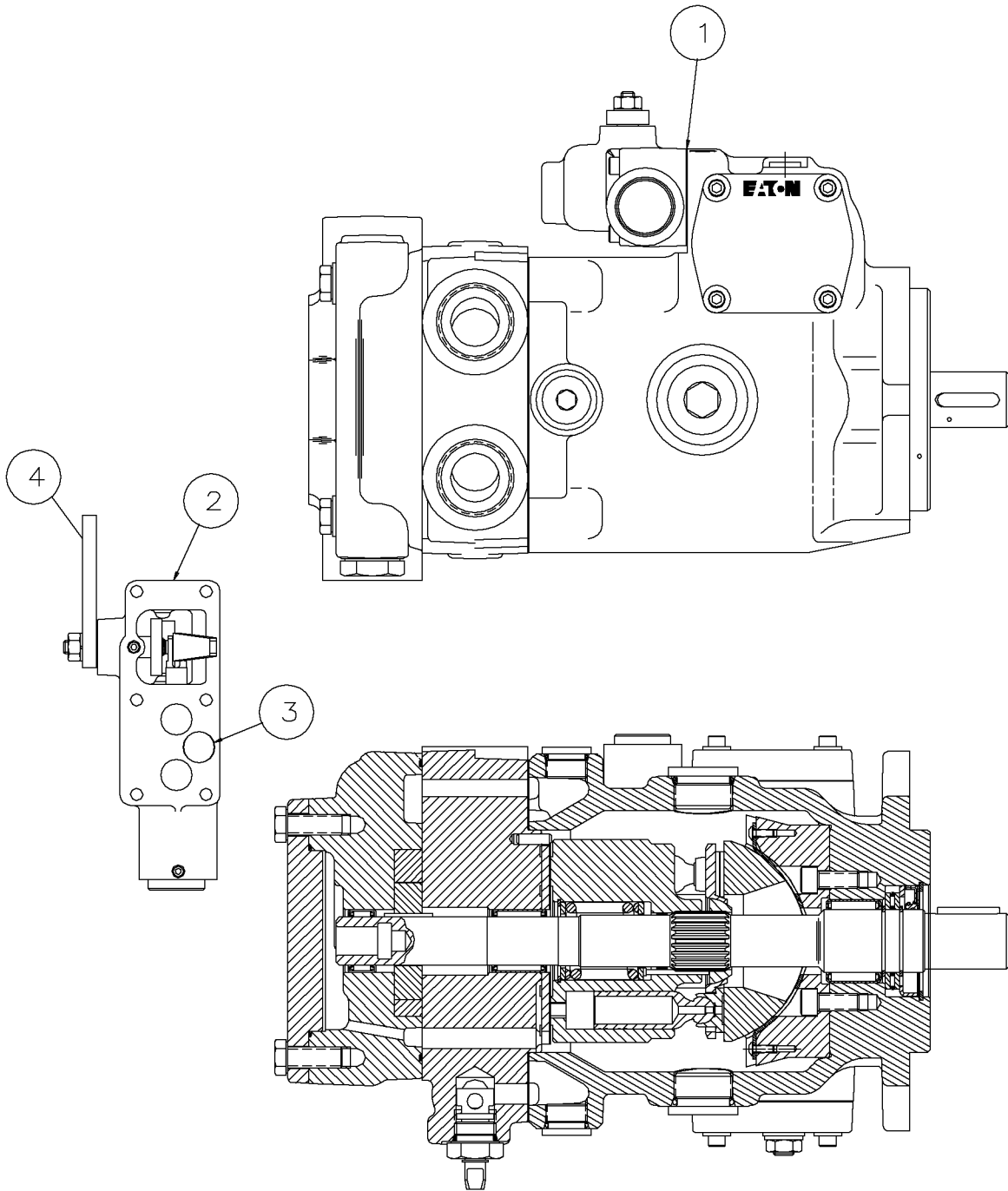




## Pump - Rotation Fig 12-29r02

REF. NO.	*	PART NO.	DESCRIPTION	QTY.	REMARKS
		Revision Date	March, 2006		Update In Illustration & Parts List.
1		223978111	GASKET-CONTROL HOUSING	1	
2		223978113	SERVO CONTROL ASSY	1	
3		251565009	ORIFICE	1	
4		223978005	ARM-CONTROL	1	
		296276780	HYDROSTATIC PUMP - 2.14 CID		Inc. All Items In Figure
		235621013	SEAL KIT-MANUAL CONTROL	1	

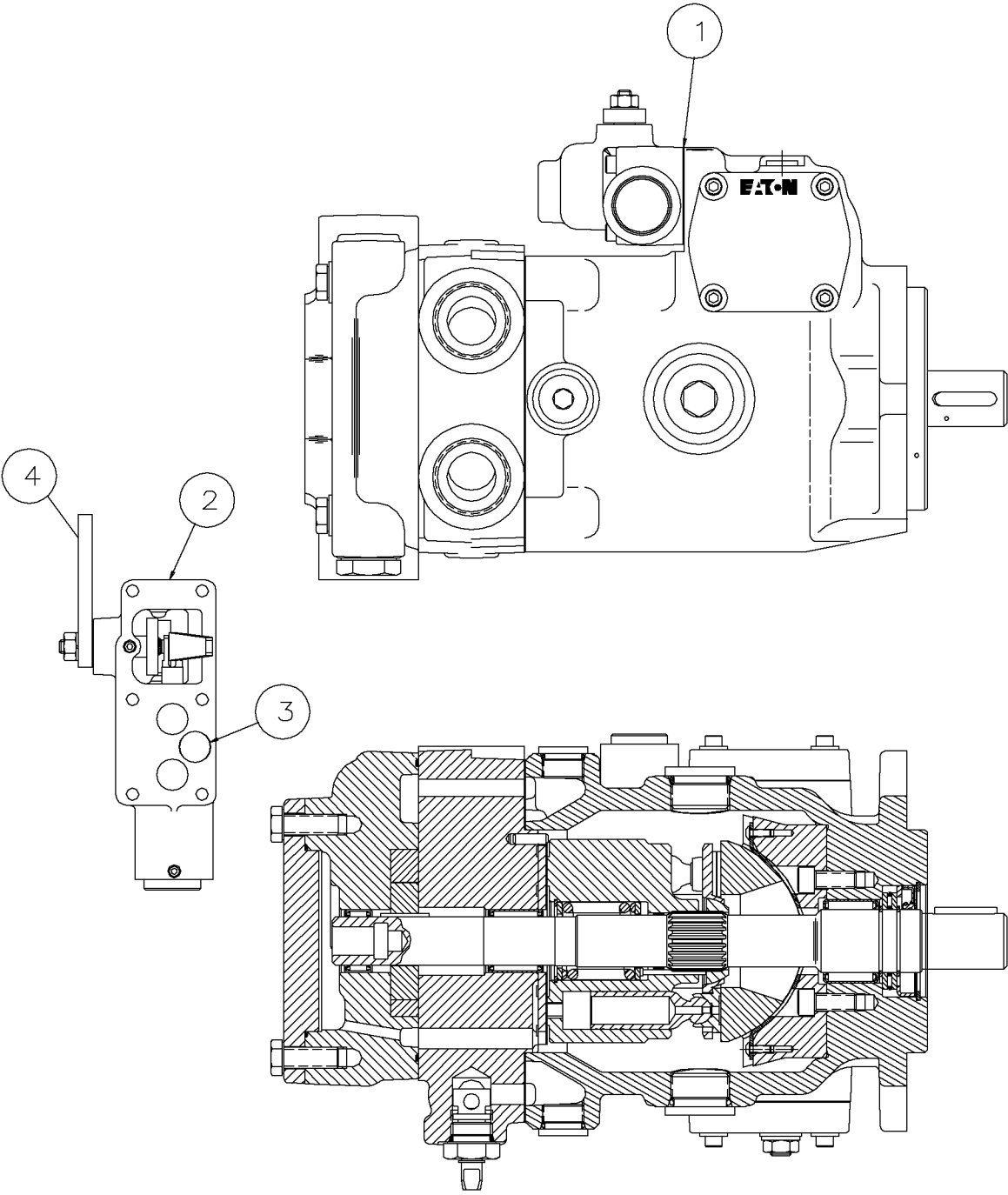
Rotation Pump Fig 12-29r01



## Rotation Pump Fig 12-29r01

REF. NO.	*	PART NO.	DESCRIPTION	QTY.	REMARKS
1		223978111	GASKET-CONTROL HOUSING	1	
2		223978113	SERVO CONTROL ASSY	1	
3		251565009	ORIFICE	1	
4		223978005	ARM-CONTROL	1	
		296276759	ROTATION PUMP		Inc All Items In Figure
		235621011	SEAL KIT-PUMP (W/ MANUAL CONT)	1	
		296272920	COUPLER	1	
		296272921	RING-COUPLER	1	

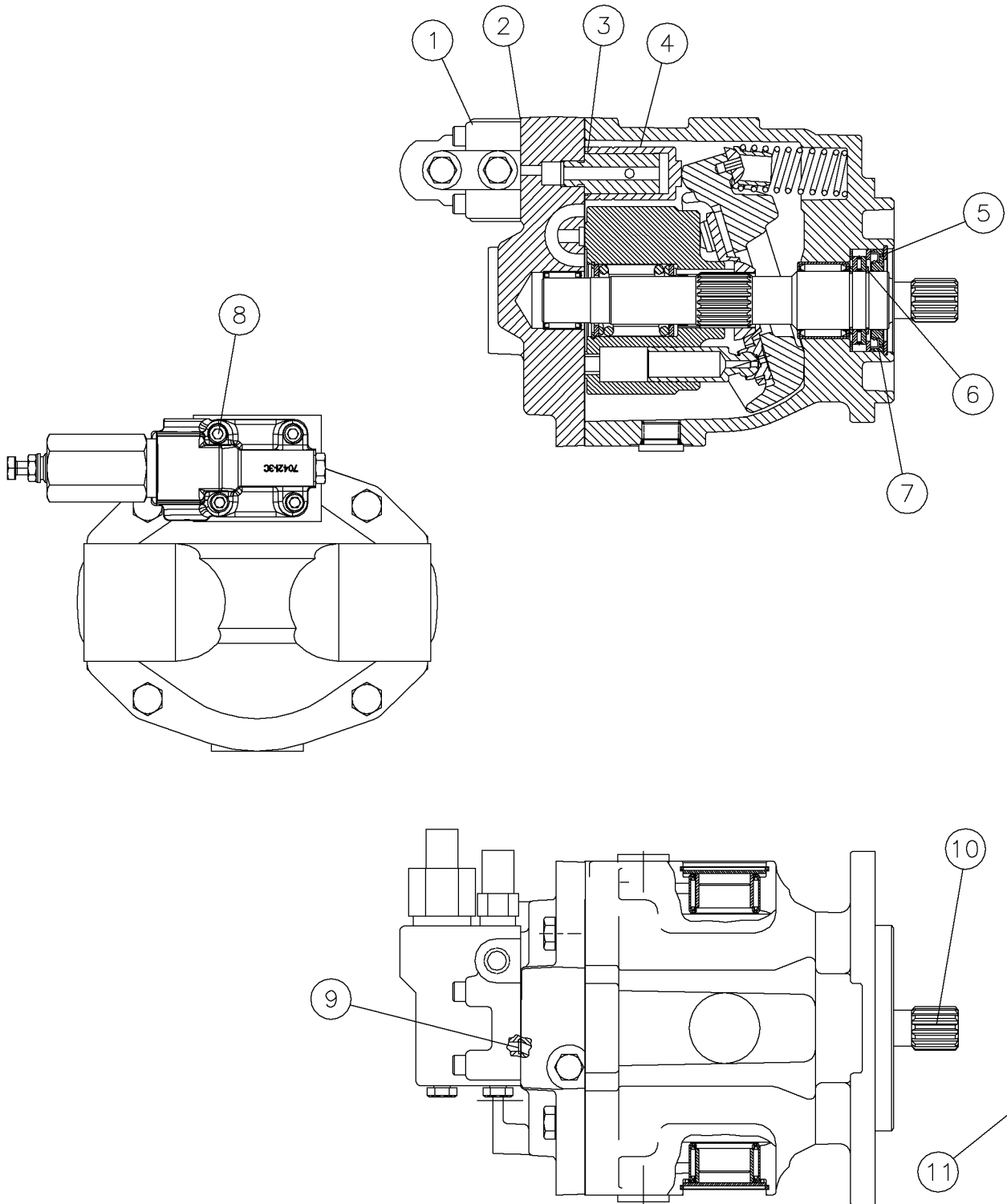
Rotation Pump Fig 12-29



## Rotation Pump Fig 12-29

REF. NO.	*	PART NO.	DESCRIPTION	QTY.	REMARKS
1		223978111	GASKET-CONTROL HOUSING	1	
2		223978113	SERVO CONTROL ASSY	1	
3		251565009	ORIFICE	1	
4		223978005	ARM-CONTROL	1	
		296273337	PUMP - HYDRO/PFC STACK (ROTATION SECTION)		Inc All Items In Figure
		235621011	SEAL KIT-PUMP (W/ MANUAL CONT)	1	
		296272920	COUPLER	1	
		296272921	RING-COUPLER	1	

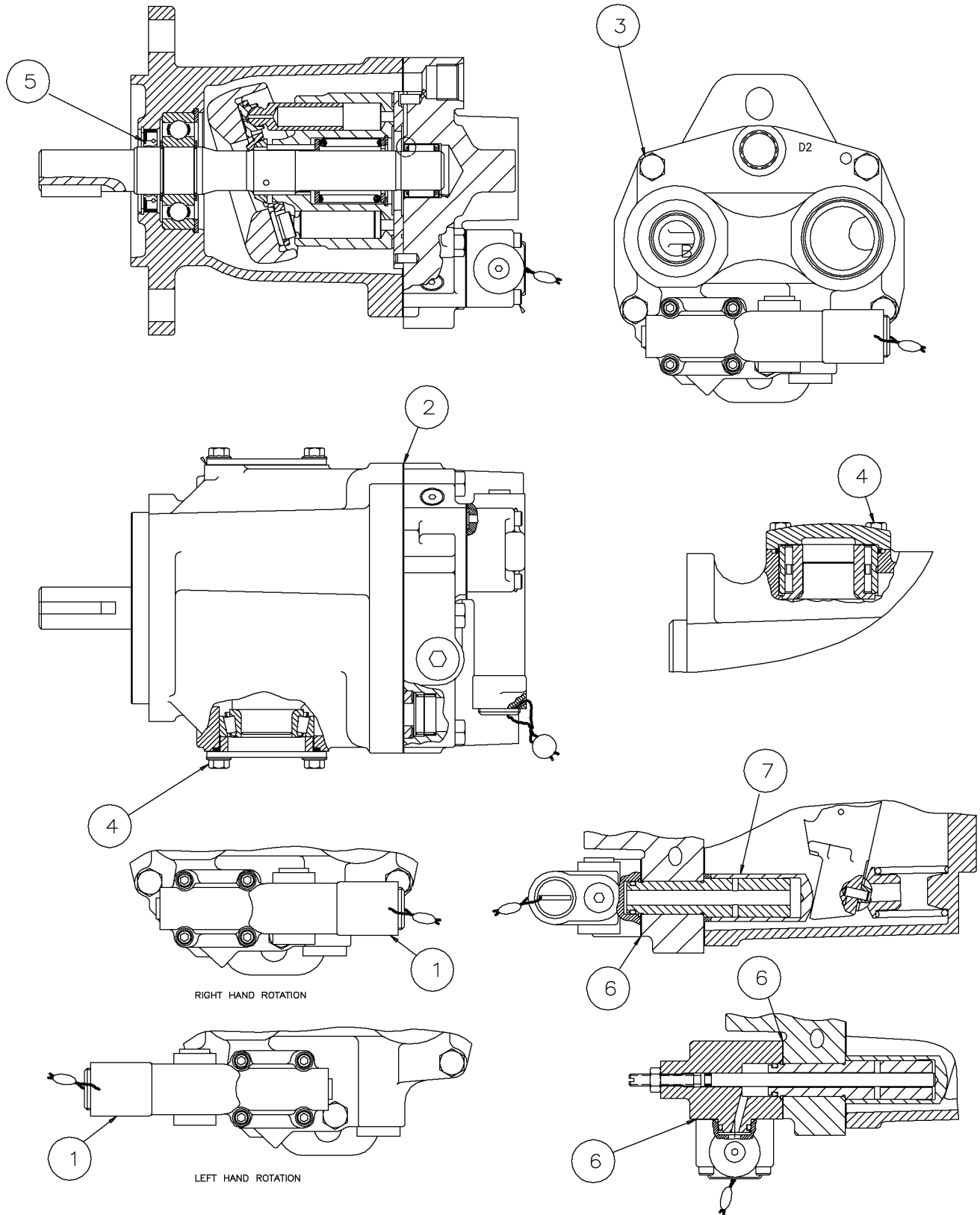
Pump - PFC Fig 12-30r02



## Pump - PFC Fig 12-30r02

REF. NO.	*	PART NO.	DESCRIPTION	QTY.	REMARKS
		Revision Date	March, 2006		Update In Illustration & Parts List.
1		240308005	COMPENSATOR ASSY-3000-3100 PSI	1	Breakdown Fig. 12-31
2		255052081	GASKET	1	
3		296276802	SPACER	1	
4		296276801	PISTON, CONTROL	1	
5		255052053	RING, RETAINER	1	
6		77958009	RETAINING RING	2	
7		77958005	SEAL-SHAFT	1	
8		255052087	SCREW, CAP	4	
9		255052083	O-RING	1	
10		296276800	SHAFT, DRIVE-SPLINED	1	
11		296267044	O-RING	1	Between Hydro & PFC Pumps
		235621023	CAP SCREW	2	Not Shown - Between Hydro & PFC Pumps
		296276761	WASHER	2	Not Shown - Between Hydro & PFC Pumps
		296276781	PFC PUMP - 2.00 CID		Inc. All Items In Figure
		235621005	SEAL KIT-PUMP/COMPENSATOR	1	

Load Sensor Pump Fig 12-30r01

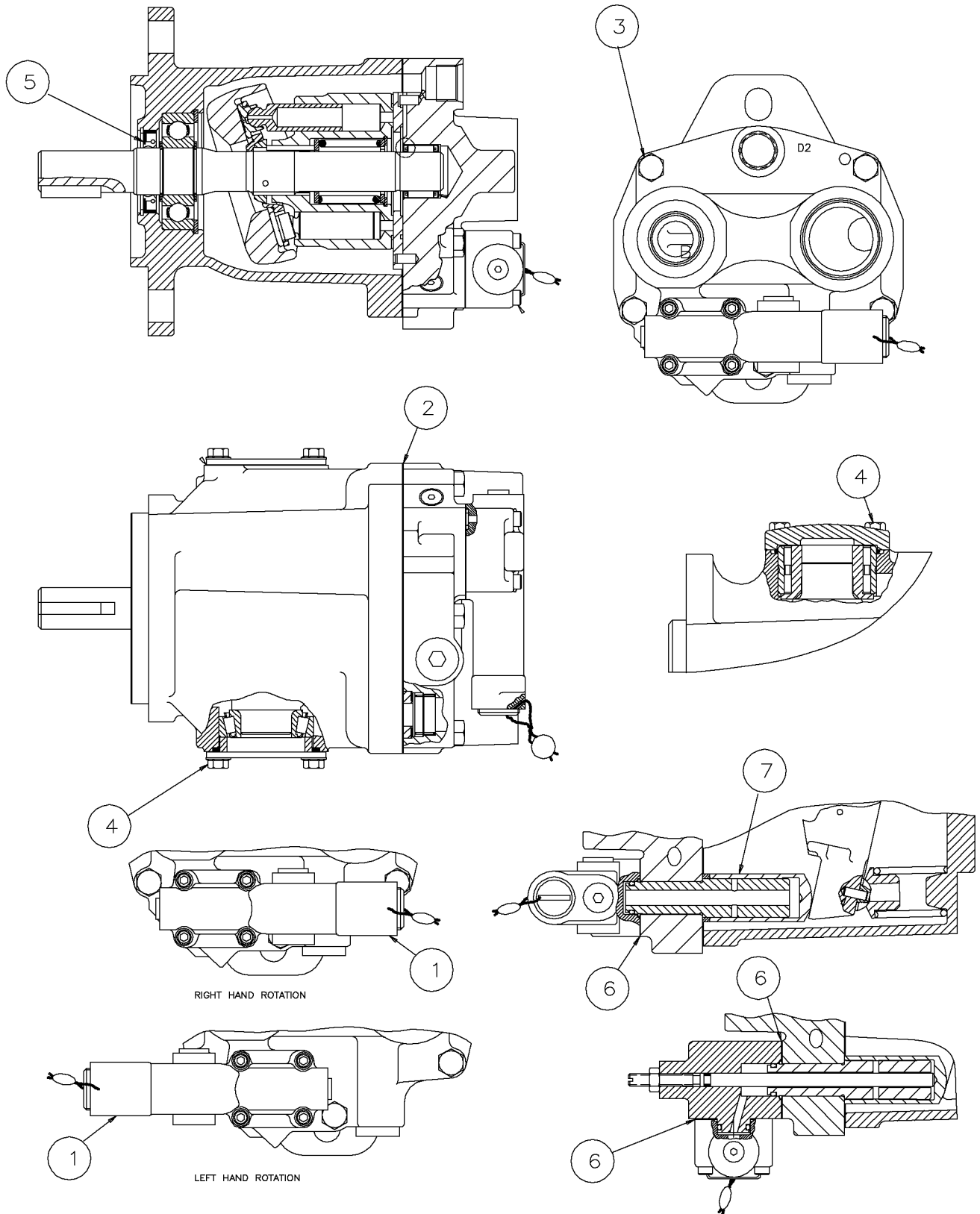




## Load Sensor Pump Fig 12-30r01

REF. NO.	*	PART NO.	DESCRIPTION	QTY.	REMARKS
1		296272900	PRESSURE & FLOW COMPENSATOR	1	Breakdown Fig. 12-31
2		296272901	GASKET	1	
3		296272902	BOLT- 02-147701	5	
4		296272903	SCREW- 584069	8	
5		296272904	SHAFT SEAL	1	
6		296272905	GASKET	1	
7		296272906	CONTROL PISTON	1	
		296276760	LOAD SENSOR PUMP		Inc All Items In Figure
		296272919	SEAL KIT	1	

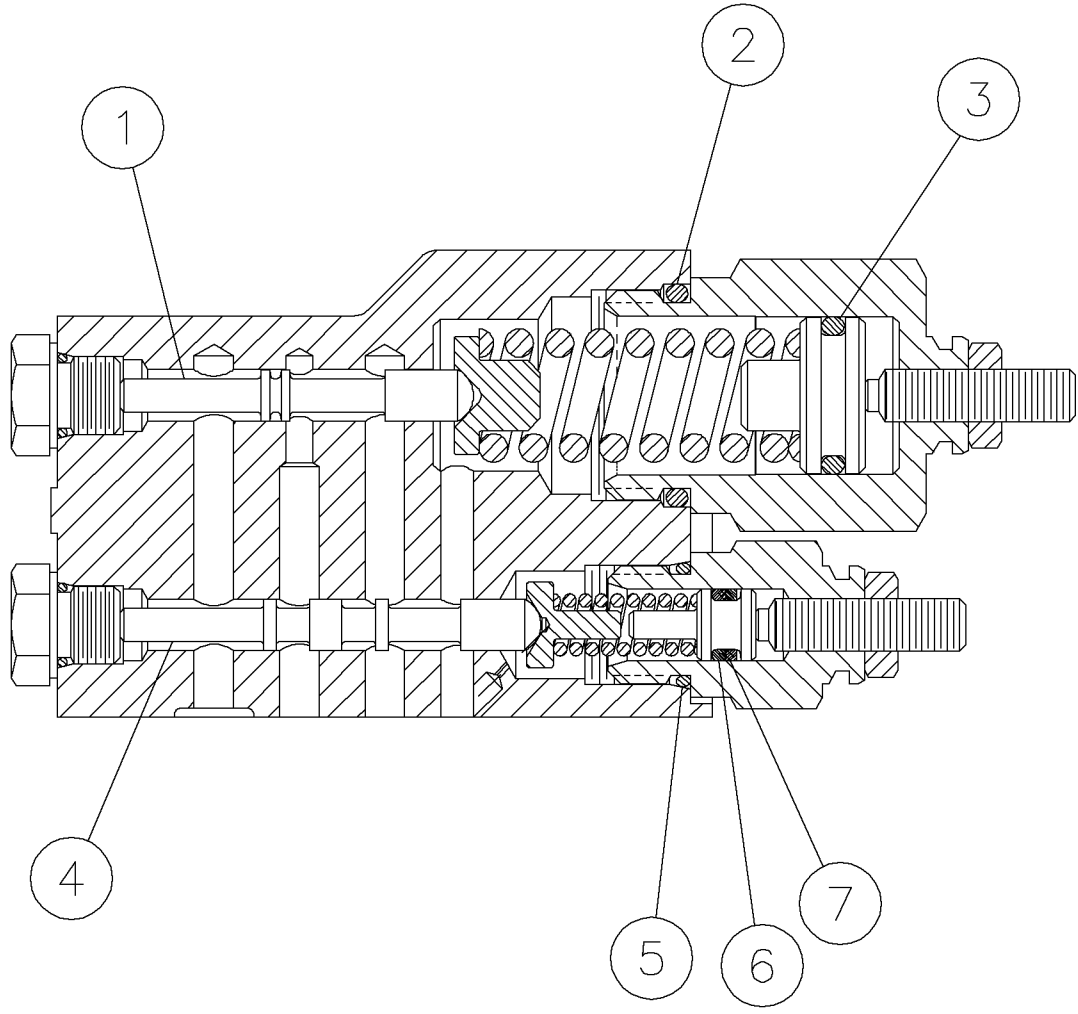
Load Sensor Pump Fig 12-30



## Load Sensor Pump Fig 12-30

REF. NO.	*	PART NO.	DESCRIPTION	QTY.	REMARKS
1		296272900	PRESSURE & FLOW COMPENSATOR	1	Breakdown Fig. 12-31
2		296272901	GASKET	1	
3		296272902	BOLT- 02-147701	5	
4		296272903	SCREW- 584069	8	
5		296272904	SHAFT SEAL	1	
6		296272905	GASKET	1	
7		296272906	CONTROL PISTON	1	
		296273337	PUMP - HYDRO/PFC STACK (LOAD SENSOR SECTION)		Inc All Items In Figure
		296272919	SEAL KIT	1	

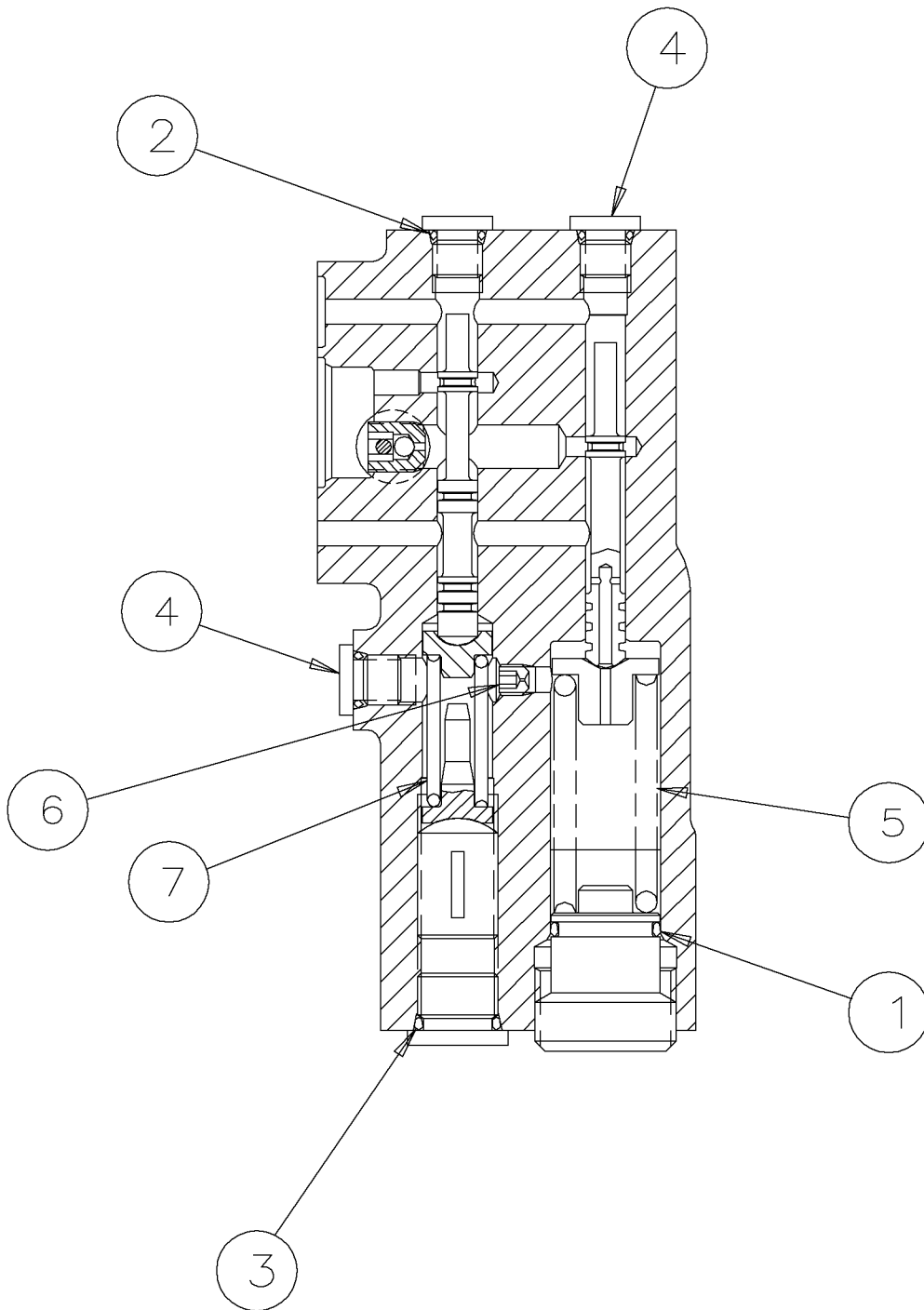
Pressure & Flow Compensator Fig 12-31r01



Pressure & Flow Compensator Fig 12-31r01

REF. NO.	*	PART NO.	DESCRIPTION	QTY.	REMARKS
		Revision Date	March, 2006		Update In Illustration & Parts List.
1		296276793	PRES SPOOL	1	
2		296276797	O-RING	1	
3		296276796	O-RING	1	
4		296276794	FLOW SPOOL	1	
5		296276798	O-RING	1	
6		296276795	O-RING	1	
7		296276799	BACK-UP RING	1	
		240308005	COMPENSATOR ASSY-3000-3100 PSI		Inc. All Items In Figure

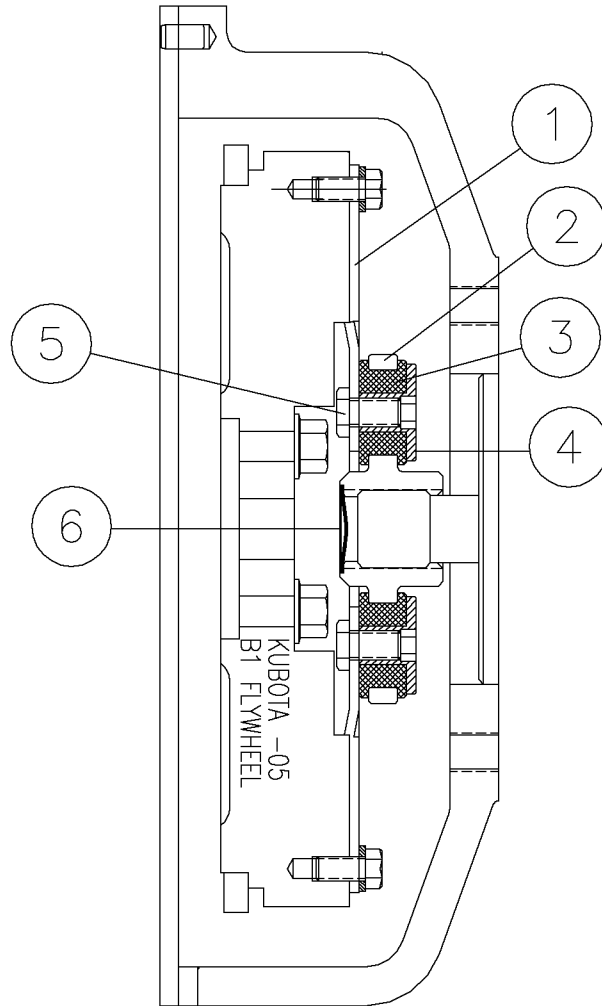
Pressure & Flow Compensator Fig 12-31



## Pressure &amp; Flow Compensator Fig 12-31

REF. NO.	*	PART NO.	DESCRIPTION	QTY.	REMARKS
1		296272907	O-RING	1	
2		296272908	O-RING	2	
3		296272909	O-RING	1	
4		296272910	PLUG	3	
5		296272911	SPRING	1	
6		296272912	ORIFICE PLUG	1	
7		296272913	SPRING	1	
		296272900	PRESSURE & FLOW COMPENSATOR		Inc All Items In Figure

Coupling Assy Fig 12-32

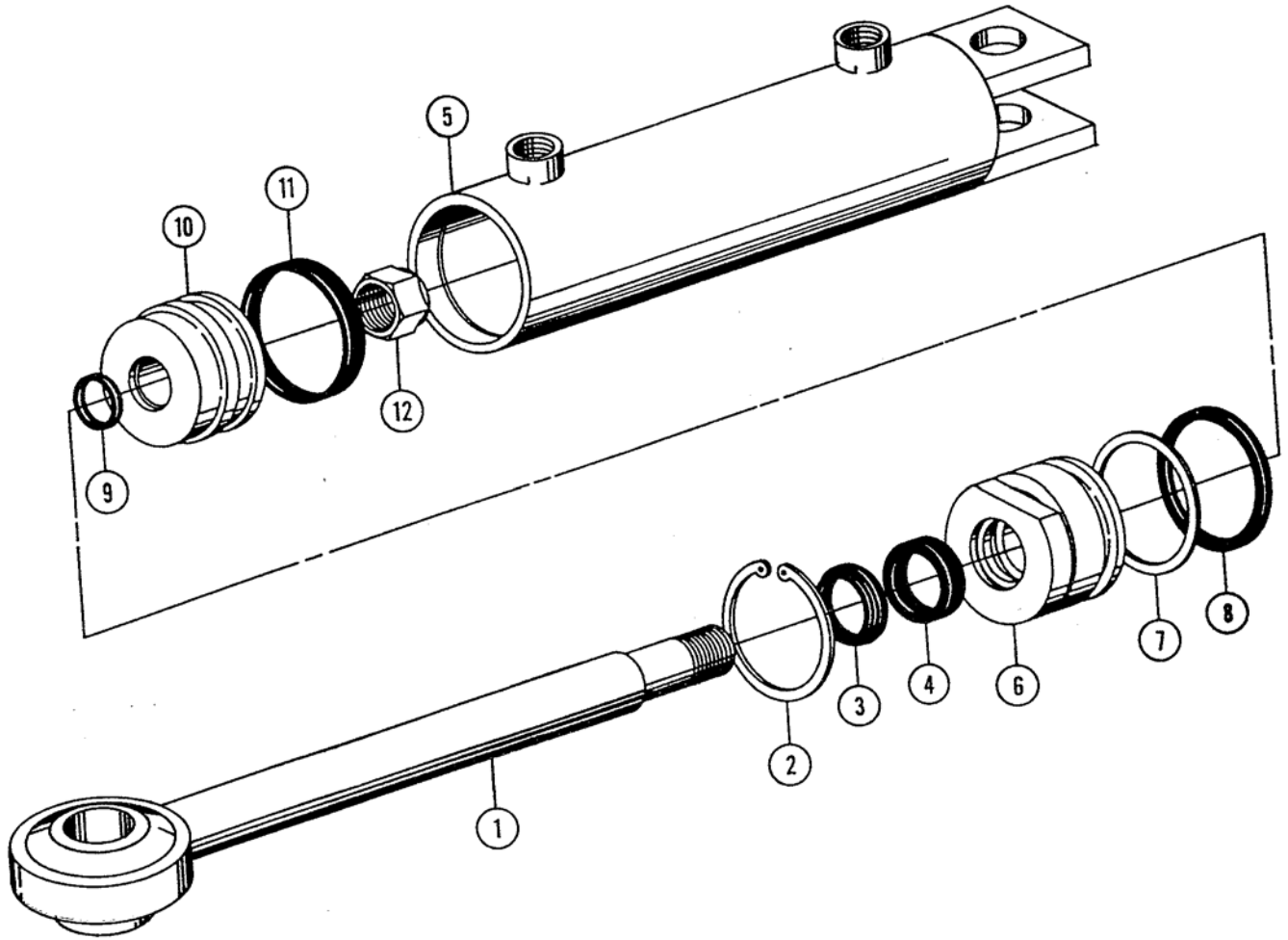




## Coupling Assy Fig 12-32

REF. NO.	*	PART NO.	DESCRIPTION	QTY.	REMARKS
1		NSS	FLYWHEEL PLATE	1	
2		NSS	COUPLING HUB	1	
3		NSS	NEOPRENE INSERT	6	
4		NSS	THREADED BUSHING	6	
5		NSS	5/16- 24X5/8 HHB	6	
6		NSS	HUBBARD PLUG	1	
		296271118	COUPLING ASSY		Inc all Items In Figure
			NSS-NOT SOLD SEPARATELY		

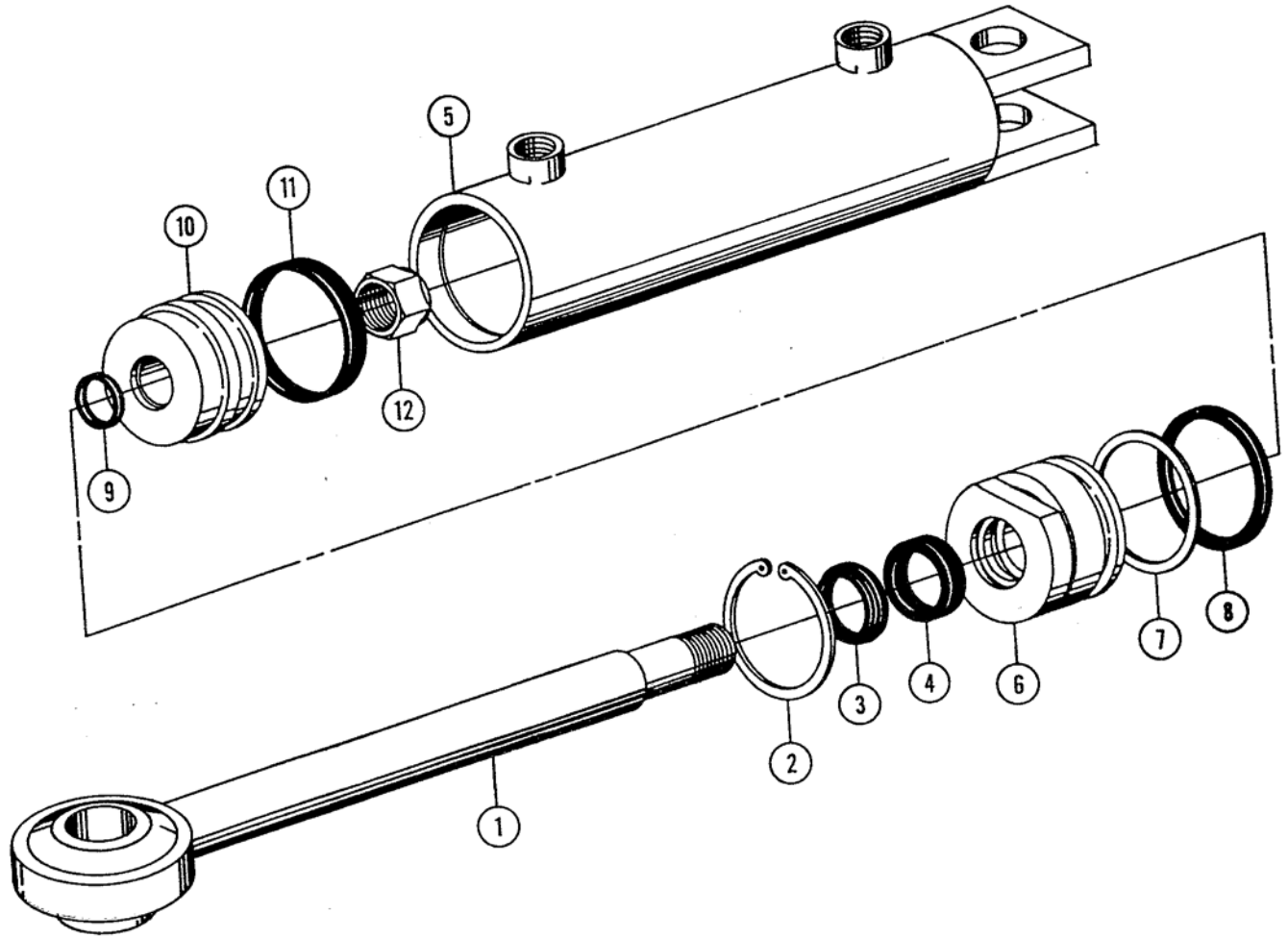
Cylinder 2 X 2 1/2 Fig 12-33r01



## Cylinder 2 X 2 1/2 Fig 12-33r01

REF. NO.	*	PART NO.	DESCRIPTION	QTY.	REMARKS
		Revision Date	March, 2006		Update In Parts List.
1		901750003	ROD	1	
2		602200	SNAP RING-INT. N5000-200	1	
3		200773001	WIPER #52-1125	1	
4		205002001	1 1/8"LOADED U-CUP	1	
5		901750005	BODY ASSY	1	
6		200831001	GLAND	1	
7		200834001	BACKUP WASHER #224	1	
8		51172001	O-RING #224	1	
9		19876045	ORING- (90D)	1	
10		200832001	PISTON	1	
11		200833001	UNIRING 12G-200120-312	1	
12		398001	NUT-3/4X16 GR 8 SLTL	1	
		901750001	CYLINDER-2X2 1/2 HYD		Inc All Items In Figure
		901750007	REPAIR KIT		Inc Ref 2-4, 6-9, And 11

Cylinder 2 X 2 1/2 Fig 12-33



Cylinder 2 X 2 1/2 Fig 12-33

REF. NO.	*	PART NO.	DESCRIPTION	QTY.	REMARKS
1		901750003	ROD		
2		602200	SNAP RING-INT. N5000-200		
3		200773001	WIPER #52-1125		
4		205002001	1 1/8"LOADED U-CUP		
5		901750005			
6		200831001	GLAND		
7		200834001	BACKUP WASHER #224		
8		51172001	O-RING #224		
9		19876045	ORING- (90D) REF T16325		
10		200832001	PISTON		
11		200833001	UNIRING 12G-200120-312		
12		398001	NUT-3/4X16 GR 8 SLTL REF T16191		
		901750001	CYLINDER-2X2 1/2 HYD		Inc All Items In Figure
		901750007	REPAIR KIT		Inc Ref 2-4, 6-9, And 11

Filter - Hydraulic (S/N 554-) Fig 12-34

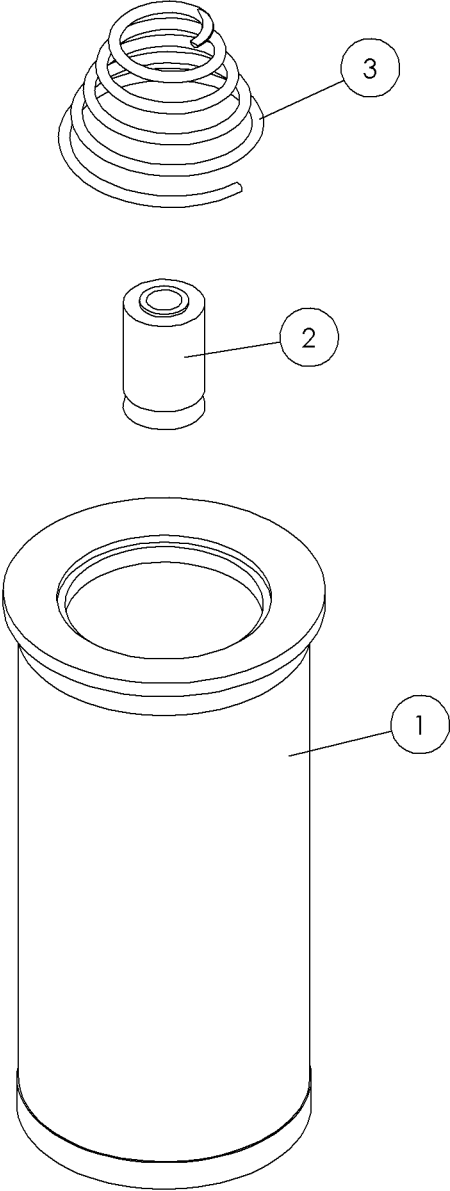
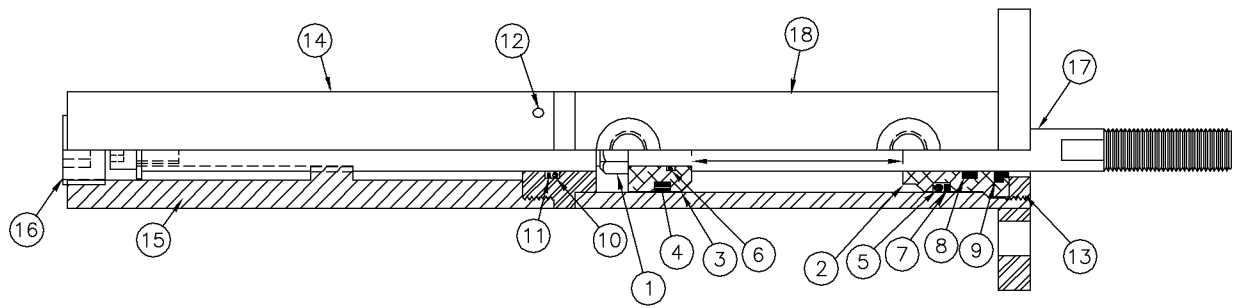


Illustration No. 624362001AC

## Filter - Hydraulic (S/N 554-) Fig 12-34

REF. NO.	*	PART NO.	DESCRIPTION	QTY.	REMARKS
		Revision Date	August, 2006		New P/N for Filter Assy
1	*	624362001	FILTER ASSEMBLY-HYDRAULIC	1	
2	*	163632911	COLUMN-MAGNET	1	
3	*	163632913	SPRING- FILTER BYPASS	1	

Bucket Greaser Cylinder (S/N 736-) Fig 12-35r01

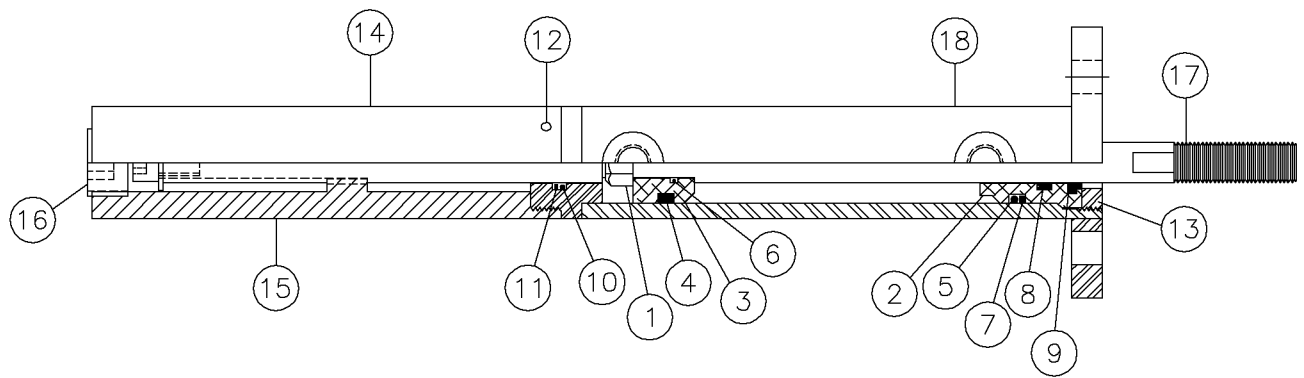




## Bucket Greaser Cylinder (S/N 736-) Fig 12-35r01

REF. NO.	*	PART NO.	DESCRIPTION	QTY.	REMARKS
		Revision Date	August, 2007		Change Cylinder
1		NSS	NUT	1	Not Sold Separately
2		NSS	HEAD	1	Not Sold Separately
3		NSS	PISTON	1	Not Sold Separately
4		NSS	PSP-SEAL	1	Not Sold Separately
5		NSS	O-RING	1	Not Sold Separately
6		NSS	O-RING	1	Not Sold Separately
7		NSS	BACKUP	1	Not Sold Separately
8		NSS	ROD SEAL	1	Not Sold Separately
9		NSS	DUST SEAL	1	Not Sold Separately
10		NSS	O-RING	1	Not Sold Separately
11		NSS	BACKUP	1	Not Sold Separately
12		NSS	ROLL PIN	1	Not Sold Separately
13		NSS	COLLAR	1	Not Sold Separately
14		NSS	1/4-28 NYLOCK SET SCREW	1	Not Sold Separately
15		NSS	STOKE ADJUSTER	1	Not Sold Separately
16		NSS	1/2 NPT STEEL PLUG	1	Not Sold Separately
17		NSS	SHAFT	1	Not Sold Separately
18		NSS	BARREL W/PORTS	1	Not Sold Separately
	*	296289208	CYL - 1.00 BORE X 2.50 STROKE X 0.50 ROD		(S/N 736-) Inc. All Items In Figure.
		296285225	REPAIR KIT		Inc. Ref. 4 Thru 11

Bucket Greaser Cylinder Fig 12-35



## Bucket Greaser Cylinder Fig 12-35

REF. NO.	*	PART NO.	DESCRIPTION	QTY.	REMARKS
		Revision Date	February, 2007		Addition To Manual
1			NUT	1	
2			HEAD	1	
3			PISTON	1	
4			PSP-SEAL	1	
5			O-RING	1	
6			O-RING	1	
7			BACKUP	1	
8			ROD SEAL	1	
9			DUST SEAL	1	
10			O-RING	1	
11			BACKUP	1	
12			ROLL PIN	1	
13			COLLAR	1	
14			1/4-28 NYLOCK SET SCREW	1	
15			STOKE ADJUSTER	1	
16			1/2 NPT STEEL PLUG	1	
17		296285224	SHAFT	1	
18					
		296280672	CYLINDER-1" X 3 1/2"		Inc. All Items In Figure
		296285225	REPAIR KIT		Inc. Ref. 4 Thru 11

This page intentionally left blank.

## Revision History

Revision	Date	Page(s)	Description
P1.00	August, 2004	All	D7X11 Series II
P1.01	April, 2005	Revised: TOC, 1-1, 1-2, 1-6, 1-7, 1-11, 2-1, 2-6, 2-7, 2-9, 3-1, 3-2, 3-3, 4-1, 4-2, 4-3, 4-4, 4-6, 4-7, 5-1, 5-2, 5-4, 5-5, 5-6, 5-7, 5-8, 5-9, 5-10, 5-11, 5-12, 5-13, 5-14, 5-15, 5-16, 5-17, 5-18, 5-19, 5-20, 5-22, 5-25, 5-26, 5-29, 6-1, 6-2, 6-3, 6-4, 6-5, 6-6, 6-7, 8-3, 8-4, 9-1, 10-2, 11-1, 11-2, 11-3, 11-4, 11-5, 11-7, 12-5, 12-9, 12-11, 12-15, 12-19, 12-20, 12-24, 12-26, 12-29, 12-30	1st Edition, 1st Revision
P1.02	October, 2005	Revised: TOC, 1-1r02, 1-2r02, 1-6r02, 1-7r02, 1-11r02, 2-1r02, 3-1r02, 3-1r02, 3-2r02, 3-3r02, 4-7r02, 5-6r02, 5-19r02, 6-2r02, 6-3r02, 6-4r02, 6-5r02, 6-6r02, 6-8r01, 7-1r01, 7-2r01, 8-3r02, 9-1r02, and 11-7r02	1st Edition, 2nd Revision
P1.03	March, 2006	Revised: TOC, 1-8, 1-11, 2-1, 2-5, 2-6, 2-7, 2-9, 3-1, 3-2, 3-3, 4-1, 4-2, 4-3, 4-4, 4-5, 4-7, 5-1, 5-5, 5-7, 5-8, 5-10, 5-11, 5-15, 5-16, 5-17, 5-18, 5-22, 5-27, 6-1, 6-4, 6-8, 7-1, 8-4, 10-1, 12-29, 12-30, 12-31, 12-33. New: 2-11, 4-9,	1st Edition, 3rd Revision
P1.04	June, 2006	Revised: TOC, 2-9, 3-1, 3-2, 3-3, 4-1, 4-2, 4-7, 5-1, 5-2, 5-5, 5-6, 5-8, 5-9, 5-10, 5-13, 5-14, 5-15, 5-18, 5-22, 5-29, 6-1, 6-2, 7-1, 8-4, 11-1, 11-5, 12-29. New: 5-4x01	1st Edition, 4th Revision
P1.05	December, 2006	Revised: TOC, 1-1, 1-3, 1-6, 1-8, 1-11, 2-2, 2-7, 2-9, 3-1, 3-2, 3-3, 4-1, 4-3, 4-4, 4-7, 5-1, 5-3, 5-5, 5-8, 5-11, 5-14, 5-15, 5-28, 6-1, 6-2, 6-3, 6-4, 7-1, 7-2, 9-1, 11-7, 12-9, 12-15 New: 12-34	1st Edition, 5th Revision
P1.06	February, 2007	Revised: TOC, 1-1, 1-6, 1-11, 2-5, 2-6, 5-4x01, 5-5, 5-6, 5-12, 5-16, 5-17, 5-18, 5-24, 5-26, 6-1, 6-2, 6-5, 12-13, 12-15, 12-23, New: 5-5x01, 5-30, 5-31, 5-32, 5-33, 5-34, 11-8, 12-35	1st Edition, 6th Revision
P1.07	April, 2007	Revised: TOC, 1-1, 1-2, 2-1, 2-7, 3-3, 5-1,	1st Edition, 7th Revision
P1.08	June, 2007	Revised: TOC, 1-11, 2-1, 3-1, 3-3, 4-6, 5-13, 5-22, 5-23, 5-30, 5-31, 5-32, 5-33, 6-1, 6-5, 6-6, 8-4, 11-5, 11-8, New:	1st Edition, 8th Revision
P1.09	July, 2007	Revised: TOC, 2-7, 3-2, 5-2, 6-3, 6-6, 7-2, New: 9-2	1st Edition, 9th Revision
P1.10	Aug, 2007	Revised: TOC, 2-6, 3-1, 3-2, 3-3, 4-1, 4-3,	1st Edition, 10th Revision
P1.11	Sept, 2007	Revised: TOC, 1-4, 1-6, 1-11, 2-1, 3-3, 4-4, 5-16, 5-26, 6-3, 8-3	1st Edition, 11th Revision
P1.12	Sept, 2007	Revised: TOC, 1-5, 1-10, 2-1, 23, 2-4,	1st Edition, 12th Revision
P1.13	Oct, 2007	Revised: TOC, 5-25, 5-30, 5-31, 5-33, 6-2, 12-25	1st Edition, 13th Revision
P1.14	Oct, 2007	Revised: TOC, 3-11, 5-1, 5-6, 5-17, 5-1, 5-30, 5-33, 7-1, 7-2, 8, 11-2, 11-5, 11-7 New: 6-9	1st Edition, 14th Revision

