



TIER II CERTIFIED

850K XLT/WT/LGP Series 2 Crawler Dozer

ENGINE

Model..... Case Family III
668T/M2 diesel, Tier II certified
Cylinders..... 6
Bore/Stroke 4.1" x 5.2"
(104 x 132 mm)
Displacement 411 in³ (6.8 L)
Fuel injection..... Direct
Fuel #2 Diesel
Fuel filter Spin-on with
in-line strainer
Air intake Cross-flow
Cooling Liquid
Engine speeds (rpm)
High idle - no load 2220±50
Rated - full load 2000
Low idle..... 800-1050
Horsepower per SAE J1349
Net 96 (72 kW) @ 2000 rpm
Gross..... 99 (74 kW) @ 2000 rpm
Peak torque @ 1200 rpm
Net 321 lb-ft (435 N·m)
Gross..... 325 lb-ft (441 N·m)
Engine lubrication –
Pump..... Deep sump plate cooler
with pressurized
under-piston nozzles
Pump operating angle ratings
Side-to-side 40°
Fore and aft..... 45°
Oil filtration... Replaceable, spin-on
full-flow cartridge

ENGINE COOLING

Radiator –
Core size area..... 486 in² (0.31 m²)
Rows of tubes 6
Fan –
Diameter 21.6" (550 mm)
Ratio 1.1:1

ELECTRICAL SYSTEM

Alternator..... 65 amp
95 amp w/A/C
Battery 12-volt low-maintenance
650 cold-cranking amps
@ 0° F (-18 C)

POWERTRAIN

Dual path hydrostatic
Pump – variable axial piston
Motor – variable bent axis piston
Maximum drawbar pull* ... 42,000 lb
(186.8 kN)
Transmission... Single lever control –
electronic straight tracking
Oil filter 2 micron, spin-on
replaceable
Travel speeds* –
Forward 0-6 mph (0-9.7 km/h)
Reverse 0-6 mph (0-9.7 km/h)
*Measured using standard track chain. Increase
travel speeds by 4% and reduce drawbar pull by
4% with the optional CELT track chain.
Parking brakes..... Heavy-duty,
spring-applied,
hydraulic pressure release
Steering brakes Hydrostatic
Final drive 2 helical gear
reduction to planetary output
Ratio..... 62:1

TRANSMISSION COOLING

Type Oil to water
Core size 185.5 in² (1197 cm²)

HYDRAULIC SYSTEM

Standard equipment pump
Pump flow @ 2000 rpm
@ 3000 psi (209 kPa).....23.9 gpm
(90.5 L/min)
Max. system pressure 3025±75 psi
.....(20 855±515 kPa)

CYLINDERS

Lift cylinder (2)
Bore diameter..... 3.50" (89 mm)
Rod diameter 1.75" (44.5 mm)
Stroke 15.5" (394 mm)
Angle cylinder (2)
Bore diameter..... 3.50" (89 mm)
Rod diameter 1.75" (44.5 mm)
Stroke 15.5" (394 mm)
Tilt cylinder (1)
Bore diameter..... 3.50" (89 mm)
Rod diameter 1.75" (44.5 mm)
Stroke 5.80" (144 mm)

UNDERCARRIAGE

Track adjustment Hydraulic
Frame Rigid suspension
Length of track
on ground 93" (2352 mm)
Track link pitch..... 6.73" (171 mm)
Track shoe height 2.06" (52 mm)
Pin diameter 1.32" (33 mm)
Bushing diameter –
CLT track 2.24" (57 mm)
CELT track..... 3.0" (76 mm)
Bolt diameter 0.625" (16 mm)
Track shoes per side 40
Track rollers per side 7
Carrier rollers per side 1
Track roller rail dia.... 7.48" (190 mm)

TRACK ON GROUND

Shoe	Area – in ² (cm ²)
18" (457 mm)	3334 (21 510)
20" (508 mm)	3704 (23 897)
24" (610 mm)	4449 (28 703)
28" (711 mm)	5186 (33 458)

TRACK

EXTRA LONG TRACK

18" (457 mm) closed grousers and CLT
18" (457 mm) open grousers and CELT

WIDE TRACK

18" (457 mm) closed grousers and CLT
18" (457 mm) open grousers and CELT
20" (645 mm) closed grousers and CLT
20" (645 mm) open grousers and CELT
24" (610 mm) closed grousers and CLT
24" (610 mm) open grousers and CELT

LGP

28" (711 mm) closed grousers and CLT
28" (711 mm) open grousers and CELT

OPERATOR ENVIRONMENT

ROPS canopy
Single lever control for speed,
steering and direction
Forward/reverse speed ration
selector
Adjustable armrests
Foot rests
Retractable seat belt, 2" (51 mm)
Vinyl suspension seat
w/back adjustment

INSTRUMENTATION

Warning lights:
Air filter
Alternator
Engine oil pressure
Hi range
Hydraulic filter
Transmission filter
Transmission pressure
Gauges:
Battery voltage
Fuel level
Hourmeter
Tachometer
Transmission oil temperature
Water temperature
Audible warnings:
Engine oil pressure
Transmission pressure

BLADE

Variable blade pitch..... 52° forward
60° rearward
Lift speed (per second) 18" (457 mm)
Cutting edge Reversible and
replaceable
Width..... 8.0" (203 mm)
Thickness 0.75" (19 mm)

RIPPER

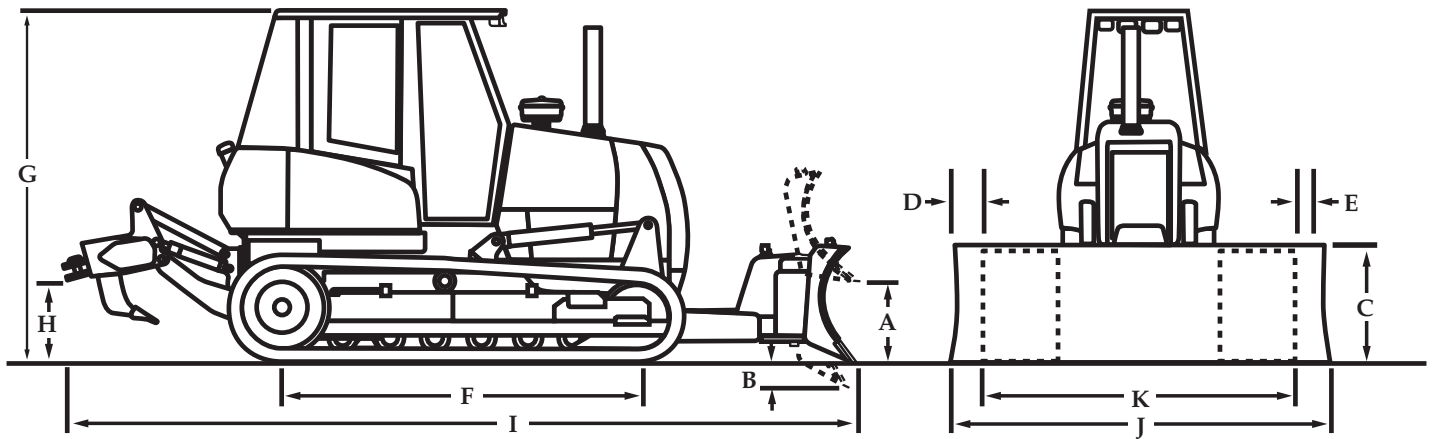
Max. penetration 14" (356 mm)
Width 72.4" (1839 mm)
Cut width 70.1" (1780 mm)
Max. ground clearance..... 17.3"
(439 mm)
Points Replaceable
Max. number of shanks 5
Tooth spacing –
with 5 teeth..... 17.8" (452 mm)
with 3 teeth..... 34" (864 mm)
Hydraulic cylinder (double-acting)
Diameter 3.25" (82.6 mm)
Stroke 8.4" (213 mm)
Rod 1.75" (44.5 mm)

SERVICE CAPACITIES

Fuel tank..... 50 gal (189.3 L)
Engine oil w/filter 15.8 qt (15 L)
Engine oil w/o filter.... 15 qt (14.2 L)
Engine cooling system 20 qt (18.9 L)
Hydraulic reservoir ... 20 gal (70.7 L)
Final drive (per side).. 15 qt (14.2 L)
Track rollers (ea.)..... 0.26 qt (0.25 L)
Front idlers (ea.)..... 0.52 qt (0.49 L)
Carrier rollers (ea.).... 0.25 qt (0.24 L)

OPERATING WEIGHTS

Unit equipped with ROPS, full fuel
tank, 170 lb (77 kg) operator, draw-
bar, side shield, track guides, backup
alarm, horn and lights.
Long Track 19,600 lb (8900 kg)
Wide Track20,200 lb (9181 kg)
LGP..... 20,700 lb (9402 kg)
Add-on weights –
Drawbar..... 85 lb (38 kg)
Ripper (3 shank)..... 1,400 lb (646 kg)
Winch..... 1,200 lb (545 kg)
Front counterweight .. 877 lb (398 kg)
Rear counterweight..... 900 lb (408 kg)
Cab 930 lb (422 kg)
ROPS heater 70 lb (32 kg)
CELT chain 115 lb (52 kg)
Center rockguard 160 lb (72 kg)
Sweeps 100 lb (47 kg)
Dual batteries..... 60 lb (29 kg)



DIMENSIONS

Long Track (XLT)

Wide Track (WT)

Low Ground Pressure (LGP)

BLADES

Blade width.....	104" (2642 mm) 110" (2794 mm) 110" (2794 mm) 120" (3048 mm) 124" (3150 mm) 130" (3302 mm)
SAE blade capacity.....	2.16 yd ³ (1.65 m ³) 2.32 yd ³ (1.77 m ³) 2.32 yd ³ (1.77 m ³) 2.52 yd ³ (1.93 m ³) 2.60 yd ³ (1.99 m ³) 2.73 yd ³ (2.09 m ³)
A. Blade lift above ground.....	34.4" (874 mm) 34.4" (874 mm) 34.4" (874 mm) 34.4" (874 mm) 34.4" (874 mm) 34.4" (874 mm)
B. Blade depth below ground.....	19" (483 mm) 19" (483 mm) 19" (483 mm) 19" (483 mm) 19" (483 mm) 19" (483 mm)
Blade angle both directions	25° 25° 25° 25° 25° 25°
Blade tilt, each end (up to 8.3°).....	15" (381 mm) 15.9" (404 mm) 15.9" (404 mm) 17.3" (439 mm) 17.9" (455 mm) 18.8" (478 mm)
C. Blade height	36" (914 mm) 36" (914 mm) 36" (914 mm) 36" (914 mm) 36" (914 mm) 36" (914 mm)
D. Cast reach	13.7" (348 mm) 16.4" (417 mm) 9.4" (239 mm) 13.9" (353 mm) 13.8" (351 mm) 16.4" (417 mm)
E. Cut reach.....	0.7" (18 mm) 3.5" (86 mm) -3.6" (-91 mm) 0.9" (23 mm) 0.8" (20 mm) 3.4" (86 mm)

TRACKS

Track gauge.....	62" (1.57 m) 62" (1.57 m) 70" (1.78 m) 70" (1.78 m) 70" (1.78 m) 70" (1.78 m)
Shoe width	20" (508 mm) 20" (508 mm) 24" (610 mm) 24" (610 mm) 28" (711 mm) 28" (711 mm)
F. Track on ground.....	93" (2.35 m) 93" (2.35 m) 93" (2.35 m) 93" (2.35 m) 93" (2.35 m) 93" (2.35 m)
Area of track on ground	3704 in ² (2.38 m ²) 3704 in ² (2.38 m ²) 4449 in ² (2.87 m ²) 4449 in ² (2.87 m ²) 5186 in ² (3.34 m ²) 5186 in ² (3.34 m ²)
Ground pressure	5.3 psi (40.1 kPa) 5.3 psi (40.1 kPa) 4.5 psi (31.3 kPa) 4.5 psi (31.3 kPa) 4.0 psi (27.6 kPa) 4.0 psi (27.6 kPa)

DIMENSIONS

G. Height to top of ROPS.....	109.2" (2773 mm) 109.2" (2773 mm)	.. 109.2" (2773 mm) 109.2" (2773 mm)	.. 109.2" (2773 mm)	... 109.2" (2773 mm)
Height to top of cab	109.2" (2773 mm) 109.2" (2773 mm)	.. 109.2" (2773 mm) 109.2" (2773 mm)	.. 109.2" (2773 mm)	... 109.2" (2773 mm)
with air conditioning	109.8" (2788 mm) 109.8" (2788 mm)	.. 109.8" (2788 mm) 109.8" (2788 mm)	.. 109.8" (2788 mm)	... 109.8" (2788 mm)
H. Ground clearance w/drawbar.....	14.9" (379 mm) 14.9" (379 mm) 14.9" (379 mm) 14.9" (379 mm) 14.9" (379 mm) 14.9" (379 mm)
I. Length -						
Blade straight with drawbar.....	174" (4408 mm) 174" (4408 mm) 174" (4408 mm) 174" (4408 mm) 174" (4408 mm) 174" (4408 mm)
Blade straight with ripper	206" (5233 mm) 206" (5233 mm) 206" (5233 mm) 206" (5233 mm) 206" (5233 mm) 206" (5233 mm)
J. Width -						
Blade straight	104" (2642 mm) 110" (2794 mm) 110" (2794 mm) 120" (3048 mm) 124" (3150 mm) 130" (3301 mm)
Blade angled.....	96" (2446 mm) 102" (2585 mm) 102" (2585 mm) 111" (2815 mm) 114" (2907 mm) 120" (3043 mm)
K. Over track	80" (2032 mm) 80" (2032 mm) 94" (2388 mm) 94" (2388 mm) 98" (2489 mm) 98" (2489 mm)

STANDARD EQUIPMENT

OPERATOR'S COMPARTMENT

Isolation mounted ROPS/FOPS canopy with headliner and floor mat
Vinyl suspension seat w/back adjustment & adjustable armrests
Retractable seat belt, 2" (51 mm)
Foot rests

ENGINE

Case 668T/M2 diesel
Automatic fan belt tensioner
Integral engine oil cooling
Fuel filter
Dual element radial seal air cleaner
65 amp alternator
650 CCA 12-volt battery
Anti-sandblast radiator
Engine side panels
Anti-freeze to -34°F
Pusher fan

POWERTRAIN

Dual path infinitely variable, single-lever controlled hydrostatic drive with electronic straight tracking & counter-rotation, 4-position forward/reverse ratio control
Final drive – Triple reduction – helical gear/planetary. decelerator with hydrostatic drive retardation
Automatic spring applied parking brake

BLADE

52° - 60° variable pitch with integral adjustment tool
Single lever control for blade lift, angle and tilt

UNDERCARRIAGE

Easy clean track covers
Hydraulic track adjusters
Case Lubricated Track Chain
Permanently lubricated track and carrier rollers
Track adjuster guard
Track guides (front and rear)

OTHER

Backup alarm
Horn
Anti-vandalism package
Mirror
Pre-cleaner
Operator's manual enclosure
Master disconnect switch
Front pull hook
Hand throttle
Decelerator
Final drive seal guard
O-ring face seal hydraulic fittings
Vertical spin-on hydraulic & fuel filters

OPTIONAL EQUIPMENT

OPERATOR'S COMPARTMENT

Cab (w/heater, 25,598 BTU (7.5 kW)/hr air conditioner, defroster, front windshield washer and 2F-1R lights)
3" (76 mm) seat belt
Deluxe air suspension seat

HYDRAULICS

4 spool hydraulic valve for field-installed ripper

REAR MOUNTED EQUIPMENT

Ripper, parallelogram 5 slot with 3 shanks

BLADES

104" (2.6 m) or 110" (2.8 m) XLT w/18" (457 mm) shoes
110" (2.6 m) or 120" (3.0 m) WT w/24" (610 mm) shoe
124" (3.2 m) or 130" (3.3 m) LGP w/28" (711 mm) shoes

GUARDS

Sweeps
Center rockguard

SCREENS

Rear ROPS and cab
Side ROPS
Radiator brush

OTHER

Lights – halogen, 4 front, 2 rear for cab or ROPS
Counterweight, front
Retrieval hitch
Drawbar
Sprocket, relieved (XLT w/ CLT only)
Special paint
Dual 12V battery
Fan, reversible
Case Extended Life Track
Cold start aid
Turbo precleaner
Winch drive
Tool box for ROPS

NOTE: All specifications are stated in accordance with SAE Standards or Recommended Practices, where applicable.

NOTE: All engines meet current EPA emissions requirements.

IMPORTANT: CNH America LLC reserves the right to change these specifications without notice and without incurring any obligation relating to such change. CNH America LLC does not warrant the safety or reliability of attachments from other manufacturers.

Case is a registered trademark of CNH America LLC. Any trademarks referred to herein, in association with goods and/or services of companies other than CNH America LLC, are the property of those respective companies.



www.casece.com



CASE IS A BRAND OF CNH, A GLOBAL LEADER FOR CONSTRUCTION EQUIPMENT, AGRICULTURAL EQUIPMENT AND FINANCIAL SERVICES.