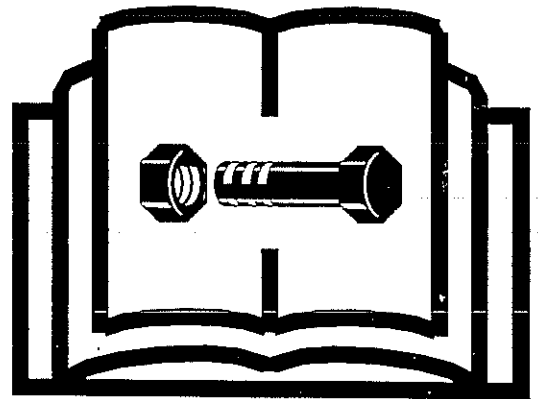


Vermeer

D7X11A Navigator



Parts Manual

PMJA97-1
SERIAL NO. 101 UP
ORDER NO. 105400-N02

PARTS LISTS TABLE OF CONTENTS

FRAME ASSEMBLIES - SECTION 1

Control Arm Assembly (Fig. "1-9")	Page 1-9
Decal Assembly (Domestic) (Fig. "1-1")	Page 1-1
Decal Assembly (International) (Fig. "1-2")	Page 1-2
Decal Location Assembly (Fig. "1-3")	Page 1-3
Drill Rod Box Assembly (Fig. "1-17")	Page 1-17
Drive Chuck Assembly (Fig. "1-19")	Page 1-19
Drive Head Assembly (Fig. "1-11")	Page 1-11
Fuel Tank Assembly (Fig. "1-10")	Page 1-10
Hose Arm Assembly (Fig. "1-16")	Page 1-16
Main Frame Assembly (Fig. "1-4")	Page 1-4
Outrigger Assembly (Fig. "1-18")	Page 1-18
Pointer Assembly (Fig. "1-20")	Page 1-20
Roller Assembly (Cylinder) (Fig. "1-13")	Page 1-13
Roller Assembly (Front) (Fig. "1-12")	Page 1-12
Roller Assembly (Rear) (Fig. "1-14")	Page 1-14
Seat/Literature Box Assembly (Fig. "1-15")	Page 1-15
Track Assembly - Rubber (Fig. "1-7")	Page 1-7
Track Assembly - Steel (Fig. "1-6")	Page 1-6
Track Chain Tightener Assembly (Fig. "1-8")	Page 1-8
Track Frame Assembly (Fig. "1-5")	Page 1-5

HYDRAULIC ASSEMBLIES - SECTION 2

Control Valve Assembly (Ground Drive) (Fig. "2-4")	Page 2-4
Control Valve Assembly (Thrust/Pullback/Rotation) (Fig. "2-5")	Page 2-5
Control Valve Components (Fig. "2-20")	Page 2-20
Control Valve Components (Fig. "2-21")	Page 2-21
Crossover Relief Valve Components (Fig. "2-29")	Page 2-27
Crossover Relief Valve Assembly (Fig. "2-7")	Page 2-7
Flow Control Valve Components (Fig. "2-27")	Page 2-25
Flow Control Valve Assembly (Fig. "2-8")	Page 2-8
Flow Control Valve Assembly (Fig. "2-9")	Page 2-9
Flow Control Valve Components (Adjustable) (Fig. "2-26")	Page 2-24
Gear Pump Assembly (Fig. "2-10")	Page 2-10
Hydraulic Components Location Diagram (Ground Drive) (Fig. "2-2")	Page 2-2
Hydraulic Components Location Diagram (Thrust/Pullback/Rotation) (Fig. "2-1")	Page 2-1
Hydraulic Cylinder Components - 3" x 24" (Fig. "2-34")	Page 2-32
Hydraulic Cylinder Components - 3" x 42" (Fig. "2-36")	Page 2-34
Hydraulic Cylinder Components - 3" x 14" (Fig. "2-35")	Page 2-33
Hydraulic Motor Components (Fig. "2-31")	Page 2-29
Hydraulic Motor Components (Fig. "2-33")	Page 2-31
Hydraulic Motor Components (Fig. "2-32")	Page 2-30
Hydraulic Oil Tank Assembly (Fig. "2-3")	Page 2-3
Hydraulic Pump Components (Fig. "2-30")	Page 2-28

PARTS LISTS TABLE OF CONTENTS (CONT.)

HYDRAULIC ASSEMBLIES - SECTION 2 (CONT.)

LO (Lockout) Pilot Check Components (Fig. '2-25")	Page 2-23
Load Check Plug Components (Fig. "2-22")	Page 2-22
Lock Valve Components (Fig. "2-37")	Page 2-35
Miscellaneous Supplies (Fig. "2-38")	Page 2-36
Oil Cooler Assembly (Fig. "2-18")	Page 2-18
Oil Filter Assembly (Fig. "2-19")	Page 2-19
Outrigger Cylinder Assembly (Fig. "2-17")	Page 2-17
Rotation Motor Assembly (Fig. "2-13")	Page 2-13
Solenoid Valve Assembly (Fig. "2-6")	Page 2-6
Solenoid Valve Components (Fig. "2-28")	Page 2-26
Standard Spool Positioner Components (Fig. "2-23")	Page 2-22
Thrust/Pullback Cylinder Assembly (Fig. "2-15")	Page 2-15
Track Drive Motor Assembly (Right) (Fig. 2-12")	Page 2-12
Track Drive Motor Assembly (Left) (Fig. "2-11")	Page 2-11
Track Extension Cylinder Assembly (Fig. "2-16")	Page 2-16
Water Pump Motor Assembly (Fig. "2-14")	Page 2-14
WH Main Relief Components (Fig. "2-24")	Page 2-23

ENGINE/ACCESSORIES ASSEMBLIES - SECTION 3

Air Cleaner Assembly (Fig. "3-6")	Page 3-6
Air Cleaner Components (Fig. "3-10")	Page 3-10
Battery Assembly (Fig. "3-9")	Page 3-9
Bell Housing & Coupling Components (Fig. "3-4")	Page 3-4
Coolant Overflow Bottle Assembly (Fig. "3-7")	Page 3-7
Engine Compartment Assembly (Fig. "3-1")	Page 3-1
Engine Components (Fig. "3-2")	Page 3-2
Engine Components (Fig. "3-3")	Page 3-3
Muffler Assembly (Fig. "3-8")	Page 3-8
Radiator Assembly (Fig. "3-5")	Page 3-5

CONTROL/ELECTRICAL ASSEMBLIES - SECTION 4

Control Handle Components (Fig. "4-6")	Page 4-6
Control Panel Assembly (Fig. "4-1")	Page 4-1
Control Valve Handle Assembly (Fig. "4-5")	Page 4-5
Rotation Control Lever Assembly (Fig. "4-2")	Page 4-2
Safety Bar Assembly (Fig. "4-3")	Page 4-3
Throttle Lever Assembly (Fig. "4-4")	Page 4-4

PARTS LISTS TABLE OF CONTENTS (CONT.)

LOCATION PACKAGE ASSEMBLIES - SPOT D TEK - SECTION 5

Location Package, Spot D Tek II.2 Utility (Fig. "5-1")	Page 5-1
Location Package, Spot D Tek II.2, III & IIIA (Fig. "5-2")	Page 5-2
Location Package, Spot D Tek Mole Mapping System (Fig. "5-3")	Page 5-3

LOCATION PACKAGE ASSEMBLIES - DIGITRAK - SECTION 6

Data Logger, Mark III - Digitrak (Fig. "6-4")	Page 6-4
Location Package, Mark III - Digitrak (W/Remote Display) Domestic (Fig. "6-2")	Page 6-2
Location Package, Mark III - Digitrak (W/Remote Display) International (Fig. "6-3")	Page 6-3
Location Package, Mark III - Digitrak - Domestic and International (Fig. "6-1")	Page 6-1

GROUND SYSTEM/SAFETY ASSEMBLIES - SECTION 7

Ground Stake Assembly - T-Handle (Fig. "7-1")	Page 7-1
Safety Features - Gloves, Boots, Cones (Fig. "7-3")	Page 7-3
Voltage Stake Assembly (Fig. "7-2")	Page 7-2

WATER SYSTEM/DRILL FLUID ASSEMBLIES - SECTION 8

Drill Fluid (Fig. 8-4")	Page 8-4
Relief Valve Components (Fig. "8-5")	Page 8-5
Wand Assembly (Fig. "8-3")	Page 8-3
Water Pump Assembly (Fig. "8-2")	Page 8-2
Water Pump Components (Power End) (Fig. "8-7")	Page 8-7
Water Pump Components (Fluid End) Fig. "8-6")	Page 8-6
Water Tank Assembly (Fig. "8-1")	Page 8-1

PIPE VISE ASSEMBLIES - SECTION 9

Clamp Assembly (Fig. "9-2")	Page 9-2
Clamp Cylinder Assembly (Fig. "9-6")	Page 9-6
Hydraulic Component Location Diagram - Vise Clamp (Fig. "9-1")	Page 9-1
Hydraulic Cylinder Components - 2" x 2 1/2" (Fig. "9-9")	Page 9-9
Hydraulic Cylinder Components - 3" x 2" (Fig. "9-10")	Page 9-10
LOA Valve Assembly (Fig. "9-4")	Page 9-4
Rotation Cylinder Assembly (Fig. "9-5")	Page 9-5
Sequence Valve Assembly (Fig. "9-3")	Page 9-3
Sequence Valve Components (Fig. "9-8")	Page 9-8
Zap Alert Coil Assembly (Fig. "9-7")	Page 9-7

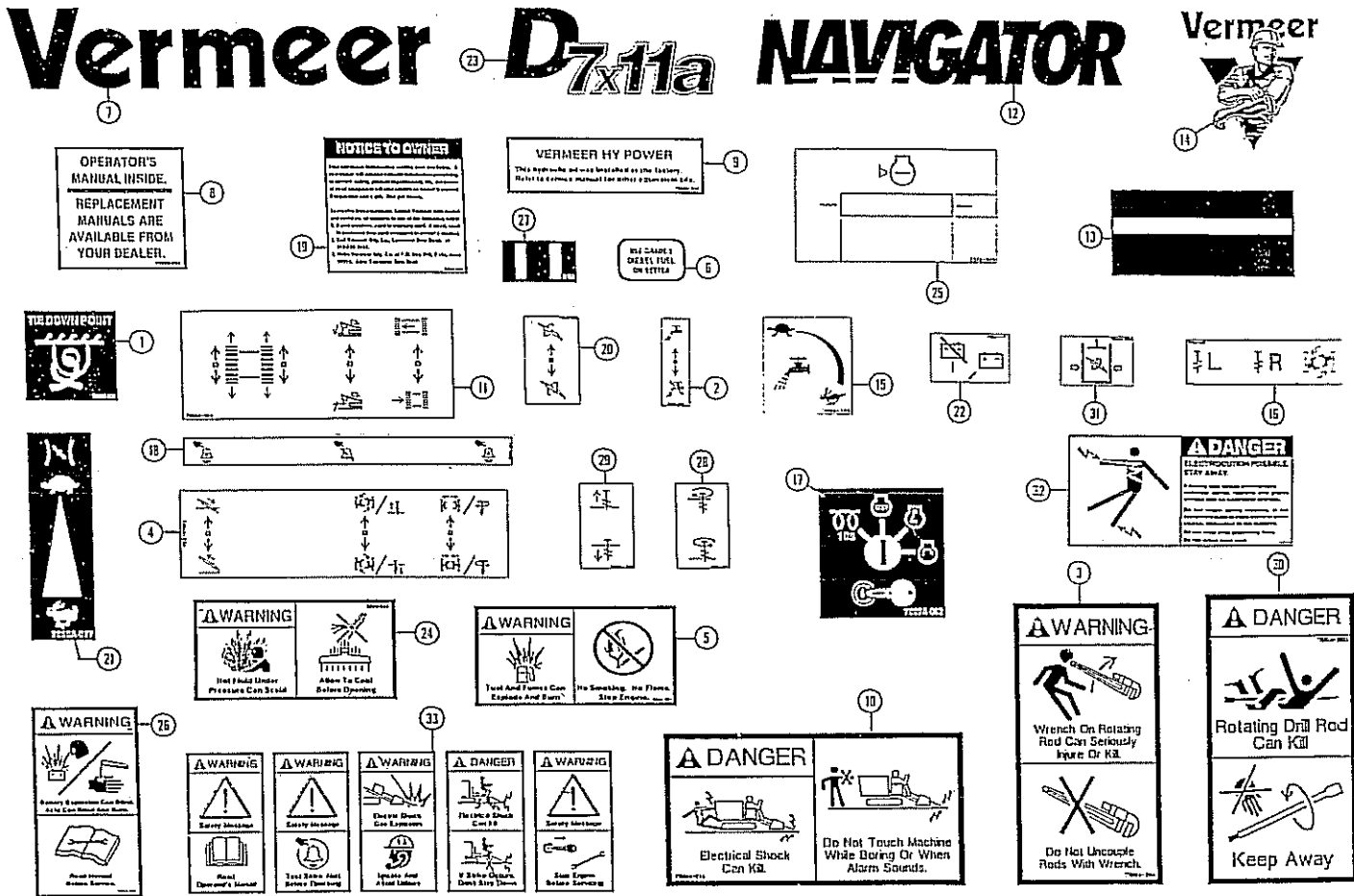
PARTS LISTS TABLE OF CONTENTS (CONT.)

STATIONARY STAKEDOWN ASSEMBLIES - SECTION 10

Hydraulic Component Location Diagram - Stationary Stakedown (Fig. "10-1")	Page 10-1
Hydraulic Cylinder Components - 1 1/2" x 24" (Fig. "10-5")	Page 10-5
Hydraulic Motor Components (Fig. "10-4")	Page 10-4
Selector Valve Components (Fig. "10-6")	Page 10-6
Stationary Stakedown Selector Valve Assembly (Fig. "10-3")	Page 10-3
Stationary Stakedown Assembly (Fig. "10-2")	Page 10-2

DECAL ASSEMBLY (DOMESTIC)

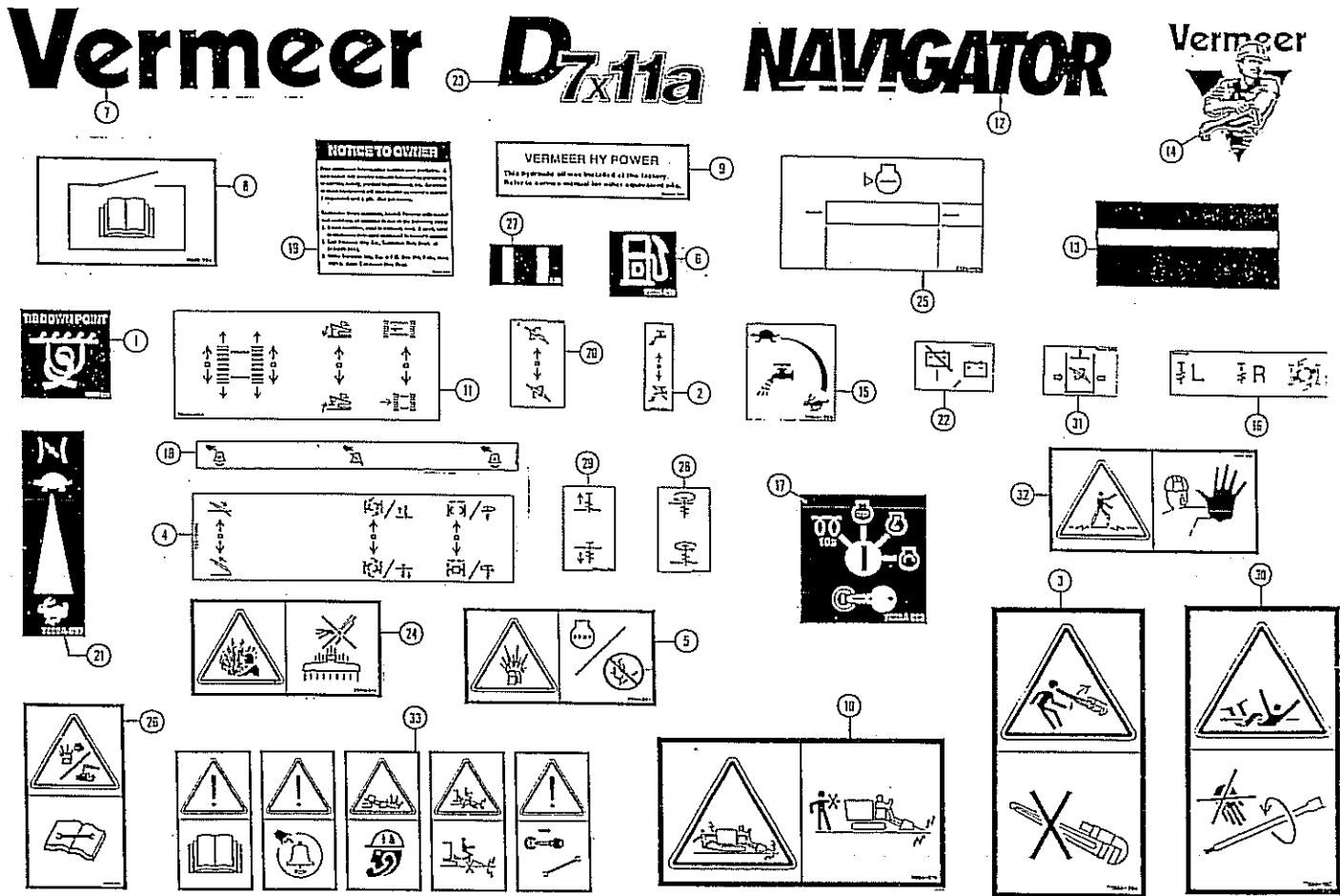
Figure 1-1



REF. NO.	PART NO.	DESCRIPTION	QTY.	REF. NO.	PART NO.	DESCRIPTION	QTY.	
1-1	1	70000-834	4	1-1	19	2326-940	DECAL-NOTICE TO OWNERS	1
1-1	2	7000A-034	2	1-1	20	7000A-036	DECAL-CONTROLS	1
1-1	3	7000A-394	1	1-1	21	7000A-087	DECAL-THROTTLE (UNDERGROUND)	1
1-1	4	7001A-556	1	1-1	22	7001A-477	DECAL_BATTERY SWITCH (UG)	1
1-1	5	2326-324	1	1-1	23	7000A-659	DECAL_MODEL D7X11A	1
1-1	6	70000-098	1	1-1	24	2326-315	DECAL-WARNING	1
1-1	7	2326-619	1	1-1	25	2326-920	DECAL-COOLANT BOTTLE LEVEL	1
1-1	8	70000-294	1	1-1	26	70000-044	DECAL-WARNING(AT/UND)	1
1-1	9	70000-394	1	1-1	27	2326-142	DECAL-INDICATOR	1
1-1	10	7000A-576	3	1-1	28	7001A-306	DECAL-STAKE DRIVER ROTAT.(UND)	1
1-1	11	7000A-014	1	1-1	29	7001A-305	DECAL-STAKE DRIVE THRUST (UND)	1
1-1	12	7000A-010	2	1-1	30	7000A-393	DECAL - DANGER	1
1-1	13	70000-774	A/R	1-1	31	7001A-526	DECAL-ROTATION PRESSURE (UG)	1
1-1	14	70000-784	2	1-1	32	70000-530	DECAL-DANGER	4
1-1	15	7001A-355	1	1-1	33	7000A-528	DECAL-WARNING	1
1-1	16	7001A-527	1			901228-066	DECAL ASSY.-D7X11A NAVIGATOR (DOMESTIC) (INC. REF. 1-33)	
1-1	17	7000A-062	1					
1-1	18	7000A-061	1					

DECAL ASSEMBLY (INTERNATIONAL)

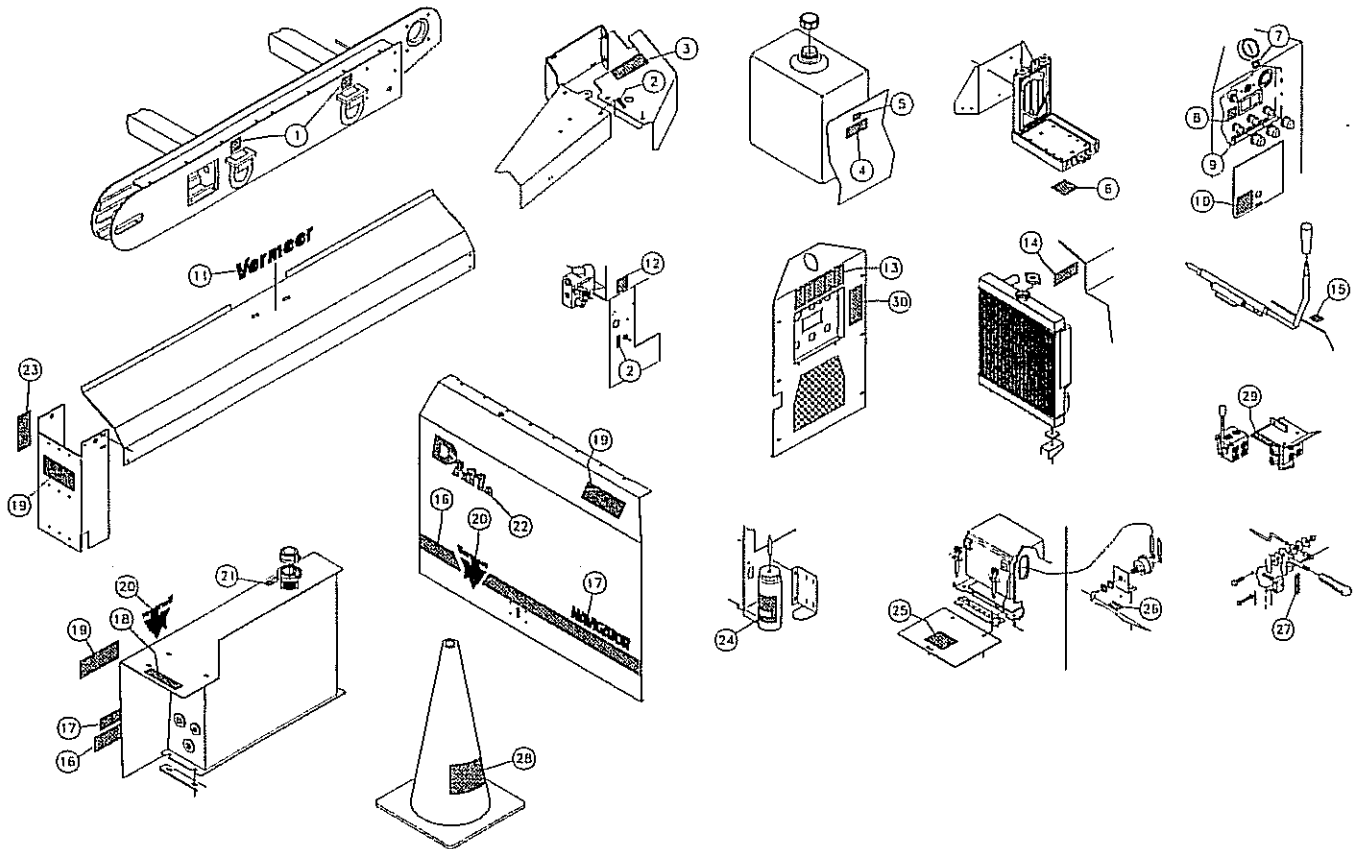
Figure 1-2



REF. NO.	PART NO.	DESCRIPTION	QTY.	REF. NO.	PART NO.	DESCRIPTION	QTY.
1-2	1	70000-834 DECAL-TIE DOWN POINT	4	1-2	19	2326-940 DECAL-NOTICE TO OWNERS	1
1-2	2	7000A-034 DECAL-WATER PUMP	2	1-2	20	7000A-036 DECAL-CONTROLS	1
1-2	3	700IA-394 DECAL - WARNING	1	1-2	21	7000A-087 DECAL-THROTTLE (UNDERGROUND)	1
1-2	4	700IA-556 DECAL-CONTROLS	1	1-2	22	700IA-477 DECAL_BATTERY SWITCH (UG)	1
1-2	5	2326I-324 DECAL-WARNING	1	1-2	23	7000A-659 DECAL_MODEL D7X11A	1
1-2	6	7000I-098 DECAL-DIESEL FUEL	1	1-2	24	2326I-315 DECAL-WARNING	1
1-2	7	2326-619 DECAL- VERMEER 3 X 15	1	1-2	25	2326-920 DECAL-COOLANT BOTTLE LEVEL	1
1-2	8	7000I-294 DECAL-OPERATOR'S MANUAL	1	1-2	26	7000I-044 DECAL-WARNING	1
1-2	9	70000-394 DECAL-VERMEER HY POWER	1	1-2	27	2326-142 DECAL-INDICATOR	1
1-2	10	700IA-576 DECAL-DANGER	3	1-2	28	700IA-306 DECAL-STAKE DRIVER ROTAT.(UND)	1
1-2	11	7000A-014 DECAL-CONTROLS 6 X 1 5/8	1	1-2	29	700IA-305 DECAL-STAKE DRIVE THRUST (UND)	1
1-2	12	7000A-010 DECAL-MODEL NAVIGATOR(MEDIUM)	2	1-2	30	700IA-393 DECAL - DANGER	1
1-2	13	70000-774 DECAL 2 1/2"VERMEER STRIPE (SPECIFY LENGTH)	7.00'	1-2	31	700IA-526 DECAL-ROTATION PRESSURE (UG)	1
1-2	14	70000-784 DECAL 6"VERMEER LOGO	2	1-2	32	7000I-530 DECAL-WARNING (NAVIGATORS)	4
1-2	15	700IA-355 DECAL-DRILLING FLUIDSPEED(UND)	1	1-2	33	700IA-528 DECAL-WARNING	1
1-2	16	700IA-527 DECAL-DRIVE ENGAGE	1				
1-2	17	7000A-062 DECAL-IGNITION	1				
1-2	18	7000A-061 DECAL-CONTROLS	1				
					901228-0-67	DECAL ASSY.-D7X11A NAVIGATOR (INTERNATIONAL) (INC. REF. 1-33)	

DECAL LOCATION ASSEMBLY

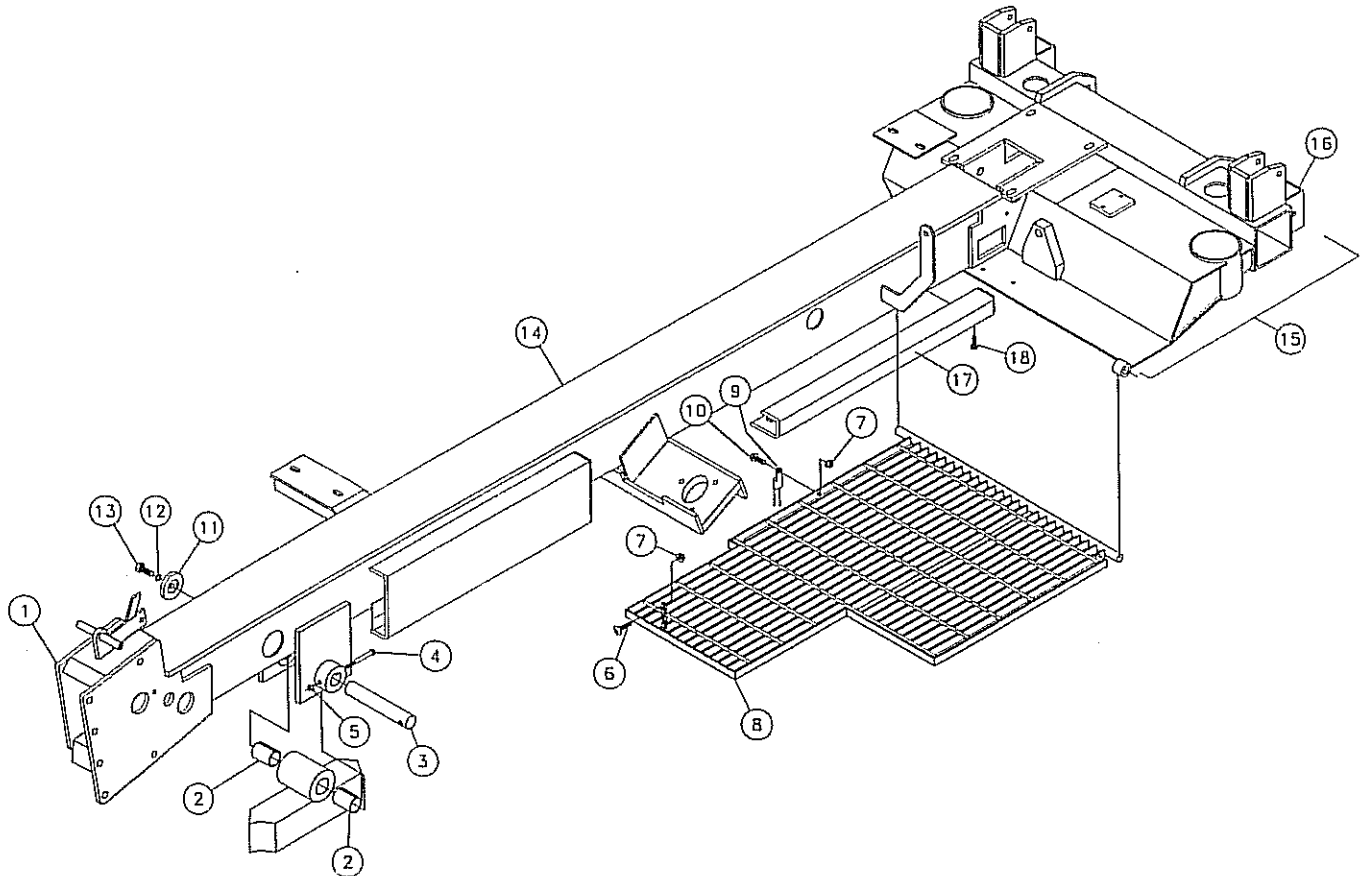
Figure 1-3



REF. NO.	PART NO.	DESCRIPTION	QTY.	REF. NO.	PART NO.	DESCRIPTION	QTY.		
1-3	1	70000-834	DECAL-TIE DOWN POINT	4	1-3	17	7000A-010	DECAL-MODEL NAVIGATOR(MEDIUM)	2
1-3	2	7000A-034	DECAL-WATER PUMP	2	1-3	18	7000A-014	DECAL-CONTROLS 6 X 1 5/8	1
1-3	3	7001A-556	DECAL-CONTROLS	1	1-3	19	7000A-576	DECAL-DANGER	3
1-3	4	2326-324	DECAL-WARNING/REFUEL	1			7001A-576	DECAL-DANGER (INT.)	3
			DECAL-WARNING (INT.)	1	1-3	20	70000-784	DECAL 6"VERMEER LOGO	2
1-3	5	70000-098	DECAL-DIESEL (AT/UND)	1	1-3	21	70000-394	DECAL-VERMEER HY POWER	1
1-3	6	70000-294	DECAL-OPERATOR'S MANUAL	1	1-3	22	7000A-659	DECAL_MODEL D7X11A	1
			DECAL-OPERATOR'S MANUAL (INT.)	1	1-3	23	7000A-394	DECAL - WARNING	1
1-3	7	7001A-526	DECAL-ROTATION PRESSURE (UG)	1			7001A-394	DECAL - WARNING (INT.)	1
1-3	8	7000A-062	DECAL-IGNITION	1	1-3	24	2326-920	DECAL-COOLANT BOTTLE LEVEL	1
1-3	9	7000A-061	DECAL-CONTROLS	1	1-3	25	70000-044	DECAL-WARNING(AT/UND)	1
1-3	10	2326-940	DECAL-NOTICE TO OWNERS	1			7000I-044	DECAL-WARNING (INT.)	1
1-3	11	2326-619	DECAL- VERMEER 3 X 15	1	1-3	26	7001A-477	DECAL_BATTERY SWITCH (UG)	1
1-3	12	7001A-355	DECAL-DRILLING FLUIDSPEED(UND)	1	1-3	27	7000A-087	DECAL-THROTTLE (UNDERGROUND)	1
1-3	13	7000A-528	DECAL-WARNING	1	1-3	28	70000-530	DECAL-DANGER (INT.)	4
			DECAL-WARNING (INT.)	1			7000I-530	DECAL-WARNING (NAVIGATORS)	4
1-3	14	2326-315	DECAL-WARNING	1	1-3	29	7001A-527	DECAL-DRIVE ENGAGE	1
			DECAL-WARNING (INT.)	1	1-3	30	7000A-393	DECAL - DANGER	1
1-3	15	7000A-036	DECAL-CONTROLS	1			7001A-393	DECAL - DANGER	1
1-3	16	70000-774	DECAL 2 1/2"VERMEER STRIPE (SPECIFY LENGTH)	7.0'					

MAIN FRAME ASSEMBLY

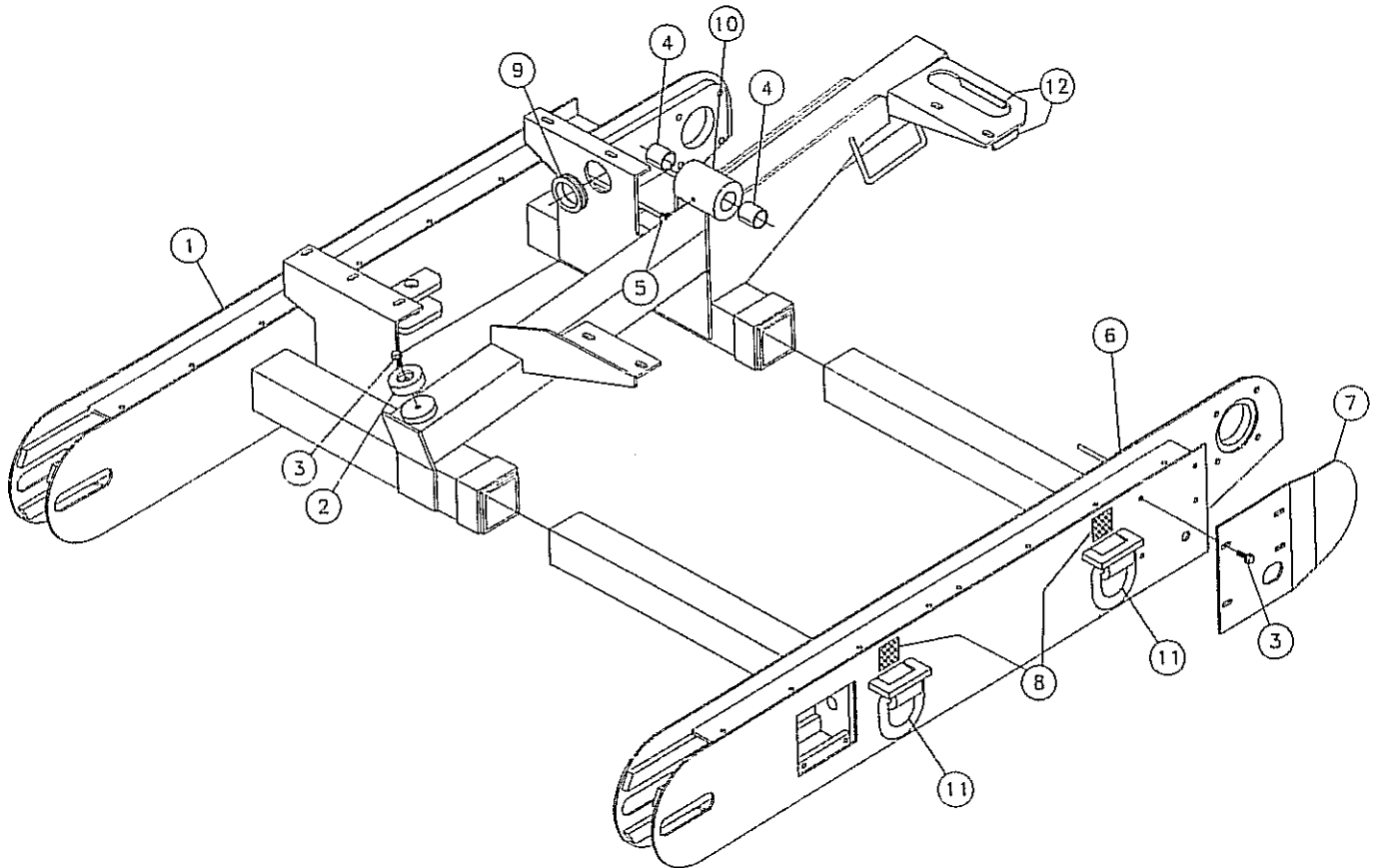
Figure 1-4



<u>REF. NO.</u>	<u>PART NO.</u>	<u>DESCRIPTION</u>	<u>QTY.</u>
1-4	1	235680-001 RACK-DRILL	1
1-4	2	1835-027 BSHG.-STL.-1 1/2X1 1/4X1 1/2	2
1-4	3	222314-001 BAR-PIVOT PIN	1
1-4	4	351-030 5/16-18X3*GRADE #5 HEX BOLT	1
1-4	5	409-001 NUT-5/16 NC SLTL	1
1-4	6	375-012 3/8-16X1 1/4*GD#5CARRIAGE BOLT	1
1-4	7	4536-001 NUT - 3/8-16 FLG. WHIZ LOCK	2
1-4	8	219320-001 GRATE-FLOOR	1
1-4	9	219380-001 STRAP-GROUND 4 GA.X12" E-E	1
1-4	10	4475-006 BOLT-3/8-16X3/4 FLG WHIZ	1
1-4	11	222313-001 BAR-PIVOT PIN SPACER	1
1-4	12	480-011 WASHER-1/2 S/T LOCK	1
1-4	13	358-012 BOLT-1/2-13 X 1 1/4 GR #5 HEX	1
1-4	14	215664-001 PLATE-SIDE	1
1-4	15	235681-001 BASE-RACK (WELDED)	1
1-4	16	229281-001 TUBE-STAKE DOWN	2
1-4	17	229422-001 GUIDE-HOSE	1
1-4	18	4474-006 BOLT-5/16-18X3/4 FLANGE WHIZ	3

TRACK FRAME ASSEMBLY

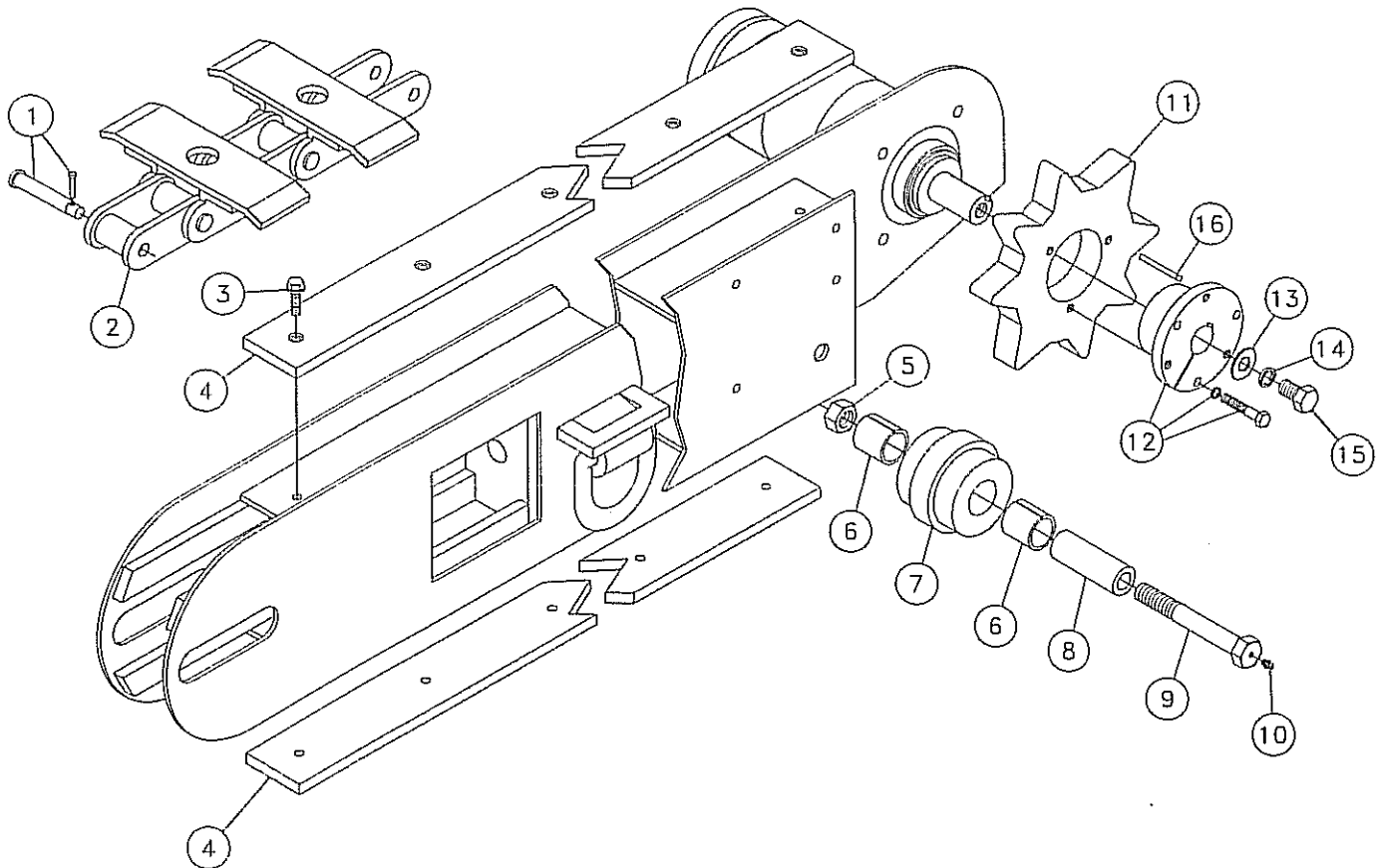
Figure 1-5



REF. NO.		PART NO.	DESCRIPTION	QTY.
1-5	1	236333-003	FRAME ASSY-TRACK (RIGHT) (INC. REF. 4 & 5)	1
1-5	2	3035-001	BUMPER 2 1/2OD X 1" HIGH RUBR	1
1-5	3	4475-010	BOLT-3/8-16X1 FLANGE WHIZ	9
1-5	4	1835-027	BSHG.-STL.-1 1/2X1 1/4X1 1/2	2
1-5	5	590-001	ZERK-1/8" NPT 90 DEG GREASE	1
1-5	6	236334-001	FRAME-LEFT TRACK	1
1-5	7	216573-001	GUARD-ROCK (LEFT) (SHOWN)	1
		216573-002	GUARD-ROCK (RIGHT)	1
1-5	8	70000-834	DECAL-TIE DOWN POINT	4
1-5	9	1865-001	GROMMET - 1/4 X 2 1/2 (YELLOW)	1
1-5	10	215689-001	TUBE-PIVOT	1
1-5	11	219136-001	D RING B40(FORGED)	4
1-5	12	212522-001	TRIM-1/4 EDGE (SPECIFY LENGTH)	A/R

TRACK ASSEMBLY - STEEL

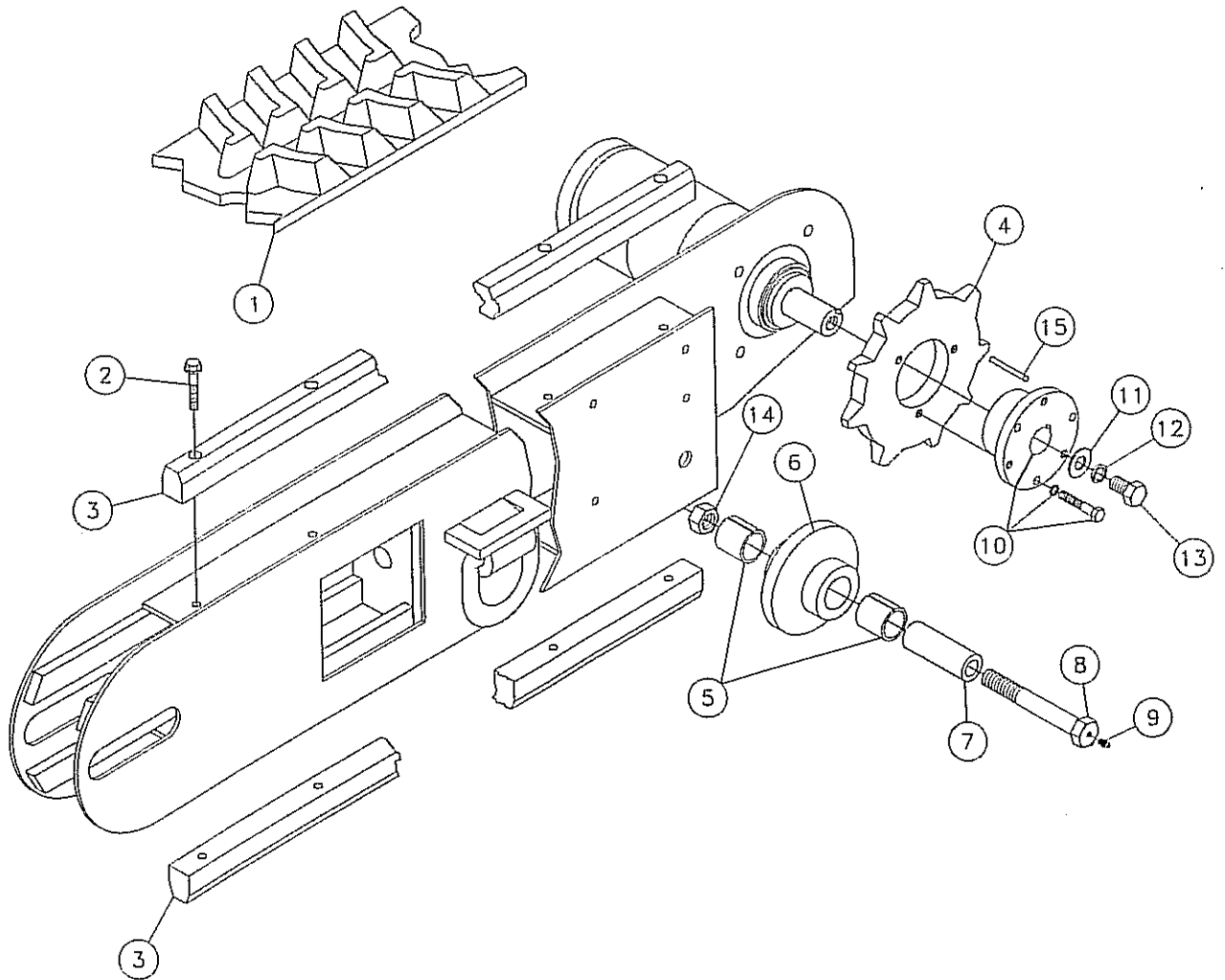
Figure 1-6



<u>REF. NO.</u>	<u>PART NO.</u>	<u>DESCRIPTION</u>	<u>QTY.</u>
1-6	1	10816-001 PIN W/COTTER-SS1957 CHAIN	1
1-6	2	213634-001 TRACK-CHAIN	2
1-6	3	4475-010 BOLT-3/8-16X1 FLANGE WHIZ	32
1-6	4	219397-001 BAR-WEAR	4
1-6	5	434-001 NUT-3/4 NC SLTL	2
1-6	6	1835-027 BSHG.-STL-1 1/2X1 1/4X1 1/2	4
1-6	7	213558-003 ROLLER ASSY-TRACK (INC. TWO OF REF. 6)	2
1-6	8	213553-001 TUBE-SPACER	2
1-6	9	213584-003 BOLT ASSY-IDLER (INC. REF. 10)	2
1-6	10	598-001 ZERK-1/4" NF ST GREASE	2
1-6	11	211190-001 SPROCKET-8 TOOTH	2
1-6	12	213704-001 HUB-SF 1 1/4 (INC. REF. 16)	2
1-6	13	213890-003 WASHER	2
1-6	14	480-015 WASHER-5/8 S/T LOCK	2
1-6	15	213890-005 BOLT-5/8-18 X 1.00 HEX	2
1-6	16	578-011 HKEYS-1/4X1/4X2	2

TRACK ASSEMBLY - RUBBER

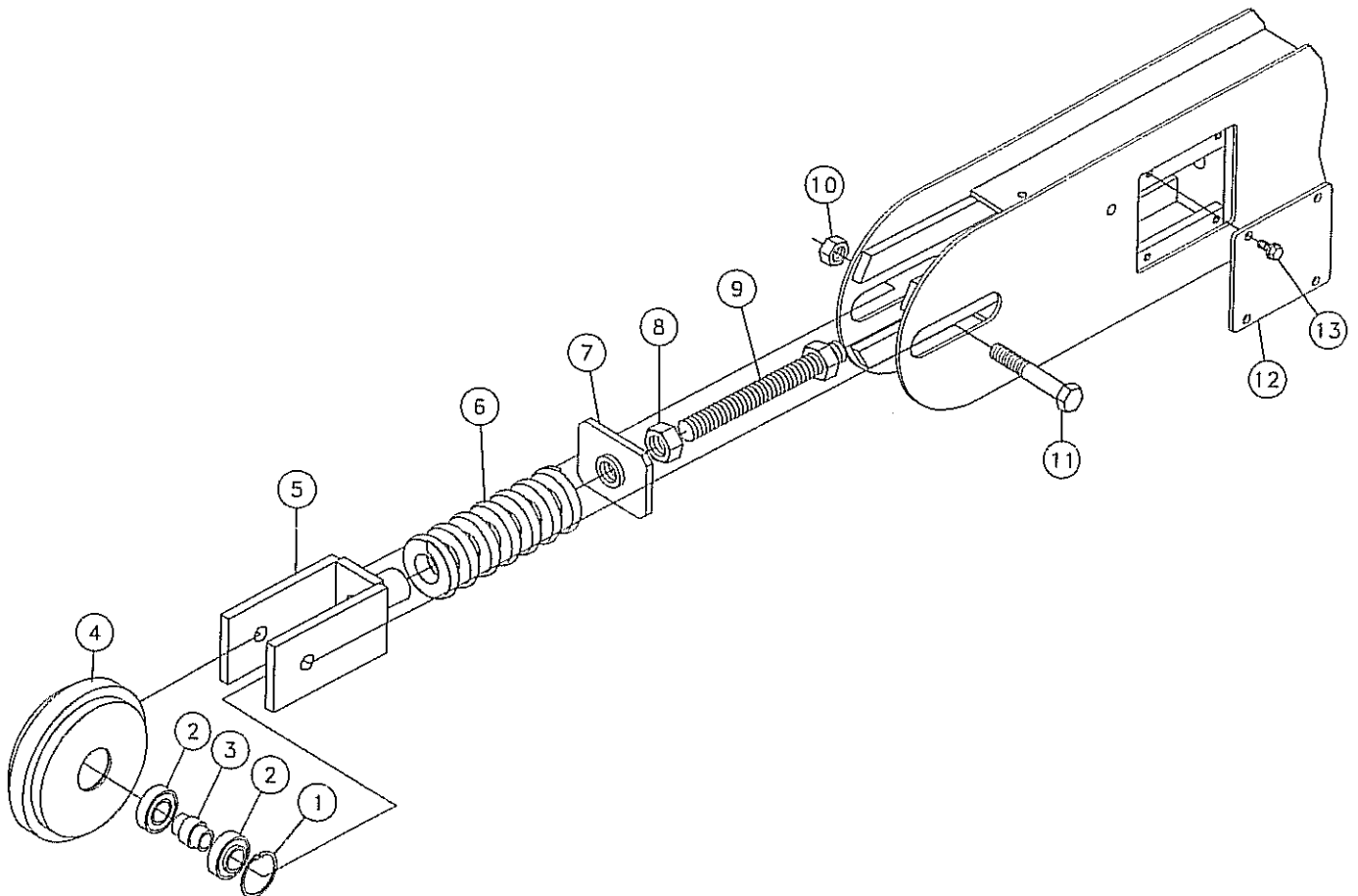
Figure 1-7



REF. NO.	PART NO.	DESCRIPTION	QTY.
1-7	1	219123-001 RUBBER TRACK-230 X 54 X 72FP	2
1-7	2	4475-020 BOLT-3/8-16X 2" FLANGE WHIZ	32
1-7	3	219284-001 GUIDE-TRACK	8
1-7	4	217927-001 SPROCKET-10T	2
1-7	5	1835-027 BSHG.-STL.-1 1/2X1 1/4X1 1/2	4
1-7	6	217825-001 ROLLER-LOWER TRACK	2
1-7	7	213553-001 TUBE-SPACER	2
1-7	8	213584-003 BOLT ASSY-IDLER (INC. REF. 9)	2
1-7	9	598-001 ZERK-1/4" NF ST GREASE	2
1-7	10	213704-001 HUB-SF 1 1/4 (INC. REF. 15)	2
1-7	11	213890-003 WASHER	2
1-7	12	480-015 WASHER-5/8 S/T LOCK	2
1-7	13	213890-005 BOLT-5/8-18 X 1.00 HEX	2
1-7	14	434-001 NUT-3/4 NC SLTL	2
1-7	15	578-011 HKEYS-1/4X1/4X2	2

TRACK CHAIN TIGHTENER ASSEMBLY

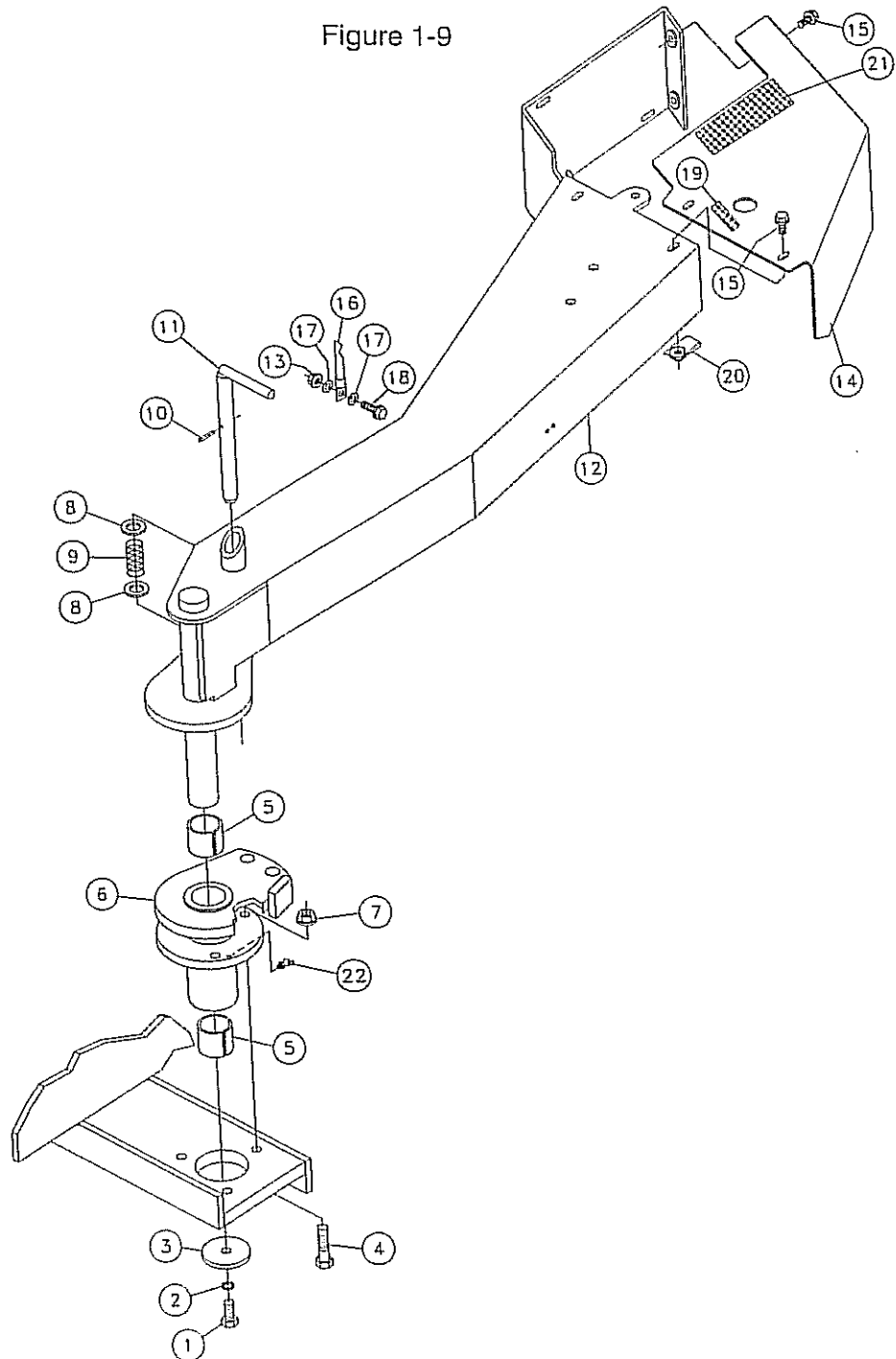
Figure 1-8



REF. NO.	PART NO.	DESCRIPTION	QTY.
1-8	1	602-206 SNAP RING-INT. 2 1/16 INCH	2
1-8	2	57904-001 BEARING-1"CYLINDER WO/COLLAR	4
1-8	3	211194-001 SPACER-IDLER	2
1-8	4	211193-001 END-ROLLER (STEEL TRACK) 217827-001 ROLLER-END IDLER (RUBBER TRACK)	2
1-8	5	211180-001 SLIDE-IDLER	2
1-8	6	215468-001 SPRING-COMP2-15/16ODX11/16WIRE	2
1-8	7	211187-001 NUT-SPRING	2
1-8	8	437-001 NUT-1 NC HEX JAM	2
1-8	9	211184-001 BOLT-TENSION	2
1-8	10	434-001 NUT-3/4 NC SLTL	2
1-8	11	369-044 BOLT-3/4-10X4 1/2" GRADE#5 HEX	2
1-8	12	211177-001 PLATE-COVER	2
1-8	13	4475-006 BOLT-3/8-16X3/4 FLG WHIZ	8

CONTROL ARM ASSEMBLY

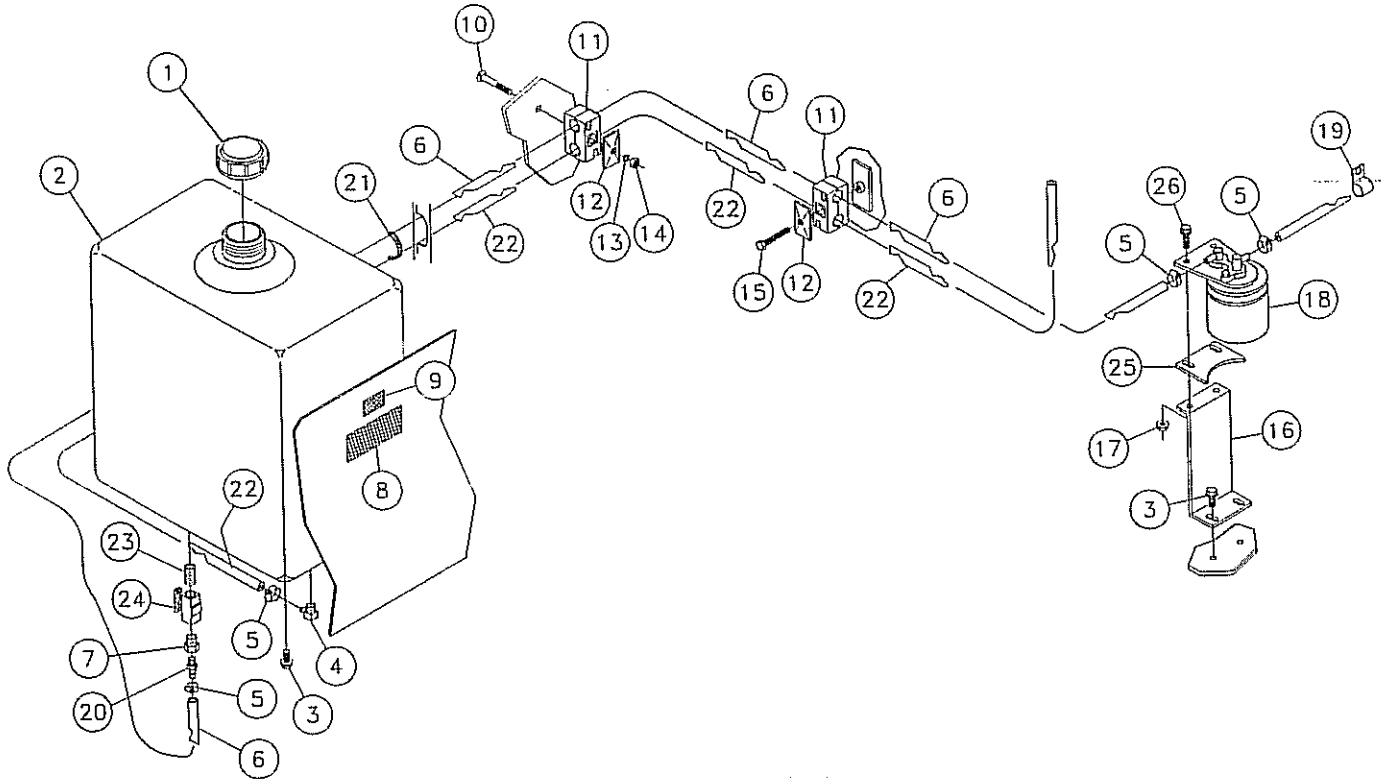
Figure 1-9



REF. NO.	PART NO.	DESCRIPTION	QTY.	REF. NO.	PART NO.	DESCRIPTION	QTY.
1-9	1	358-010 BOLT-1/2-13X1" GRADE#5 HEX	1	1-9	12	227052-001 ARM-CONTROL	1
1-9	2	480-011 WASHER-1/2 S/T LOCK	1	1-9	13	4536-001 NUT - 3/8-16 FLG. WHIZ LOCK	2
1-9	3	5832-001 CAP-1/4-2 1/2OD	1	1-9	14	219405-001 SHIELD-VALVE	1
1-9	4	358-020 BOLT-1/2-13X2" GRADE#5 HEX	3	1-9	15	4475-006 BOLT-3/8-16X3/4 FLG WHIZ	4
1-9	5	1835-029 BSHG.-STL.-1 3/4X1 1/2X1 1/2	2	1-9	16	219380-001 STRAP-GROUND 4 GA.X12" E-E	1
1-9	6	227044-003 MOUNT ASSEMBLY-SEAT PIVOT (INC. REF. 5 & 22)	1	1-9	17	482-001 WASHER-3/8 INT STAR	2
1-9	7	1809-001 NUT-1/2 SM FLGE CENTER LOCK	3	1-9	18	4475-010 BOLT-3/8-16X1 FLANGE WHIZ	1
1-9	8	483-025 WASHER-1 1/4X3/4X14 GA M.B.	2	1-9	19	7000A-034 DECAL-WATER PUMP	1
1-9	9	1803-023 SPRING - COMP. #67 2" OA	1	1-9	20	13323-001 U-CLIP - 3/8-16	2
1-9	10	1788-043 PIN-EXPANSION 1/8X1	1	1-9	21	7001A-556 DECAL-CONTROLS	1
1-9	11	229276-001 PIN-SEAT PIVOT	1	1-9	22	596-001 ZERK-1/4" NF 45 DEG GREASE	1

FUEL TANK ASSEMBLY

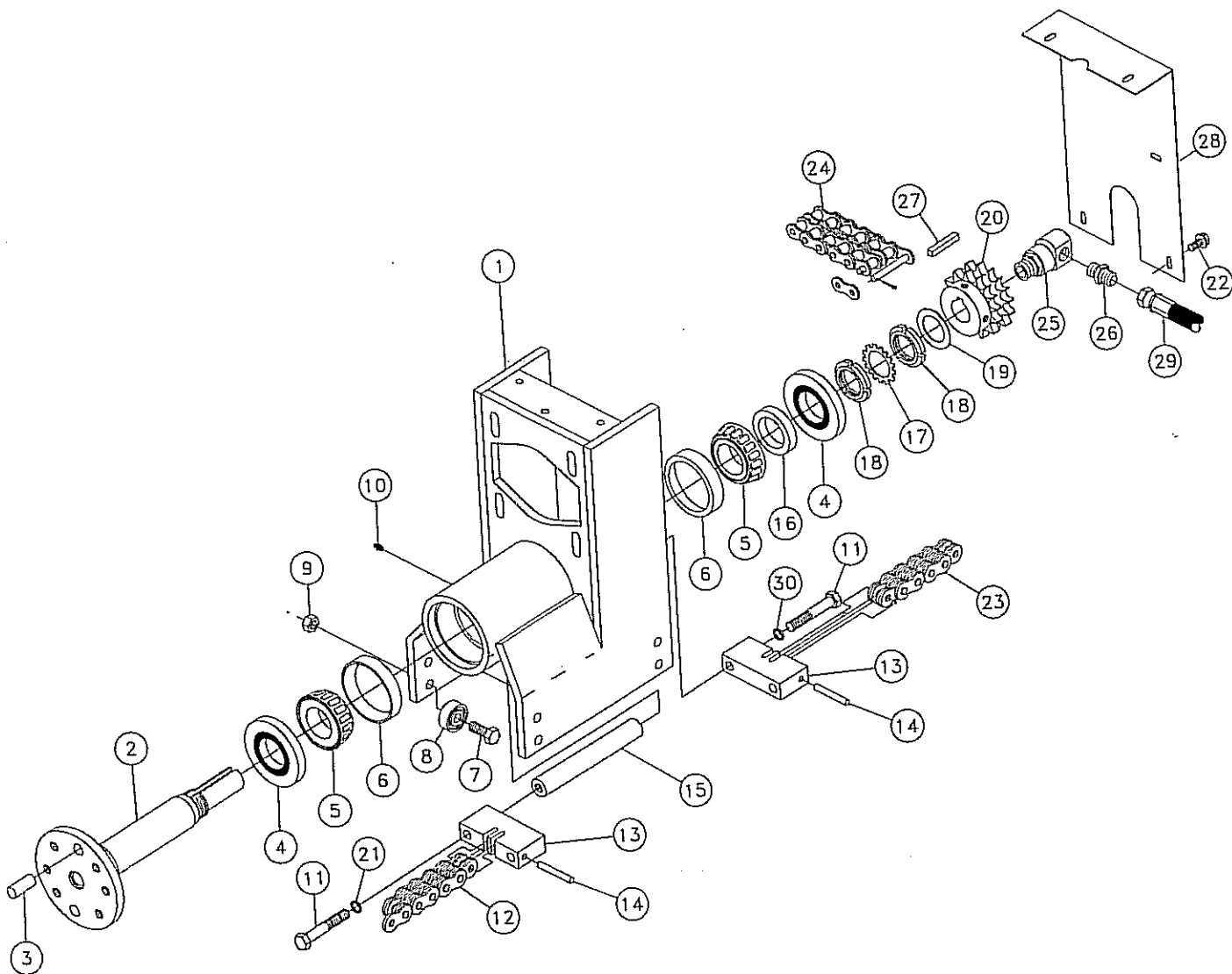
Figure 1-10



REF. NO.	PART NO.	DESCRIPTION	QTY.	REF. NO.	PART NO.	DESCRIPTION	QTY.
1-10	1	224995-001 CAP-FUEL	1	1-10	13	480-005 WASHER-5/16 S/T LOCK	1
1-10	2	225853-001 TANK-8 GAL. FUEL	1	1-10	14	406-001 NUT-5/16 NC HEX	1
1-10	3	4474-006 BOLT-5/16-18X3/4 FLANGE WHIZ	4	1-10	15	351-012 BOLT-5/16-18X1 1/4*GR5 HEX	1
1-10	4	1578-001 HOSE CLAMP - 1/4"	1	1-10	16	219439-001 MOUNT-FILTER	1
		79412-001 FITTING-#1069X6 90 DEG M EL.	1	1-10	17	408-001 NUT-5/16 NC FLG WHIZ LOCK	2
1-10	5	1578-001 HOSE CLAMP - 1/4"	1	1-10	18	218420-077 FILTER KIT (COMPLETE)	1
1-10	6	619-001 HOSE-1/4 I.D.GASOLINE&DIESEL (SPECIFY LENGTH)	A/R		218420-073	FUEL FILTER	1
1-10	7	4022-001 FITTING-3220X4X2 WTHR-HD	1	1-10	19	2595-001 HOSE CLAMP - TS7FR 1/2"	1
1-10	8	2326-324 DECAL-WARNING/REFUEL	1	1-10	20	78171-001 FITTING-1/8MNPTX5/16BARB STR.	1
		23261-324 DECAL-WARNING	1	1-10	21	236285-001 1/2 GROMMET - 1 1/2" RUBBER	1
1-10	9	70000-098 DECAL-DIESEL (AT/JND)	1	1-10	22	620-001 HOSE - 5/16 FUEL LINE (SPECIFY LENGTH)	A/R
		70001-098 DECAL-DIESEL FUEL (INT.)	1	1-10	23	736-001 1/4 CLOSE NIPPLE BLACK STEEL	1
1-10	10	16380-020 BOLT-5/16-18X2 GR.5 CARRIAGE	1	1-10	24	56691-001 FITTING-6805 WEATHERHEAD	1
1-10	11	900035-005 CLAMP-3/8"DOUBLE HOSE	2	1-10	25	236309-001 PLATE-FUEL FILTER SUPPORT	1
1-10	12	67846-003 PLATE-TWIN COVER	2	1-10	26	4474-010 BOLT-5/16-18X1 FLG.WHIZ PLATED	2

DRIVE HEAD ASSEMBLY

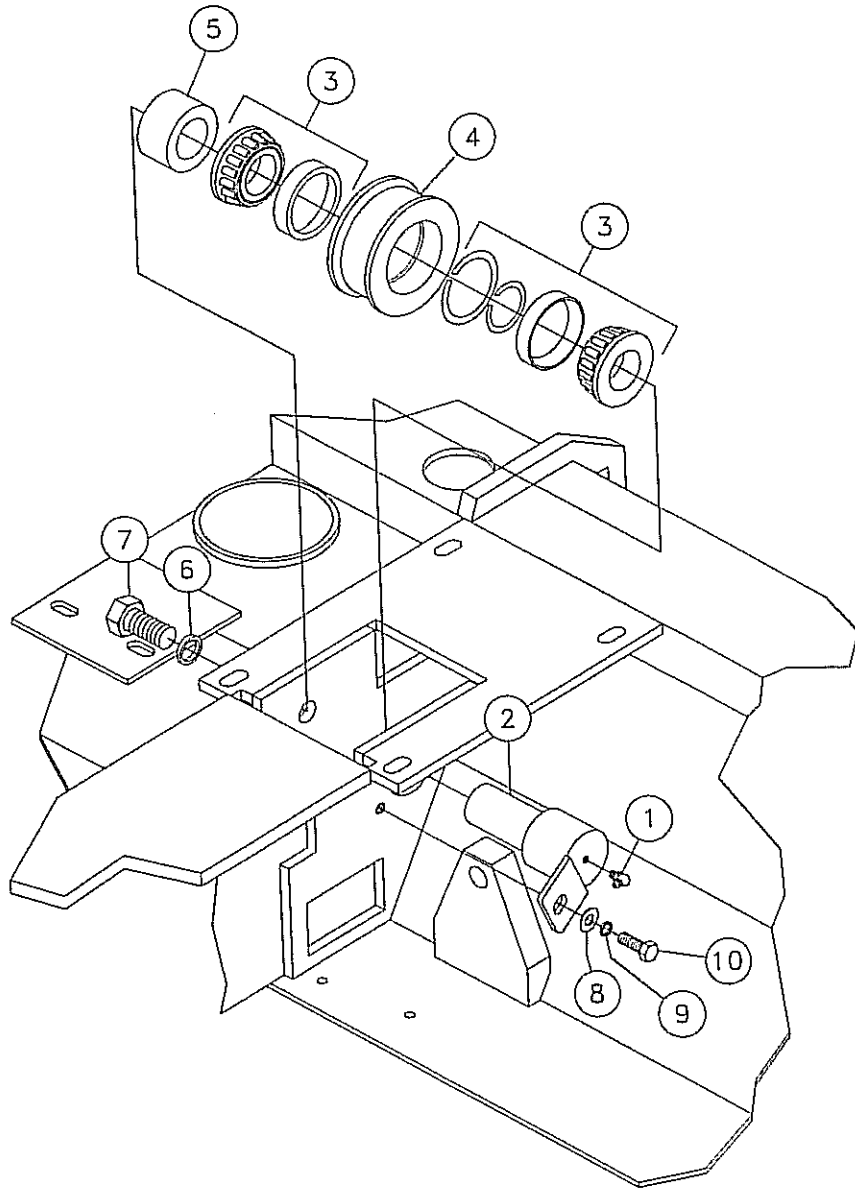
Figure 1-11



REF. NO.	PART NO.	DESCRIPTION	QTY.	REF. NO.	PART NO.	DESCRIPTION	QTY.
1-11	1	229388-001 HEAD - DRIVE	1	1-11	17	904675-001 WASHER-LOCK #WH08	1
1-11	2	222406-001 HEAD SHAFT	1	1-11	18	904674-001 NUT-LOCK #TN08	2
1-11	3	70096-001 PIN-DOWEL 5/8DIA.-1 1/2	1	1-11	19	483-009 WASHER-2 1/4X1 1/2X14 GA M.B.	1
1-11	4	3967-001 SEAL -#25091 C/R	2	1-11	20	234684-001 SPRKT-D60B 19H W/1 7/16 BORE	1
1-11	5	904672-001 CONE-BEARING #HM803149	2	1-11	21	480-011 WASHER-1/2 S/T LOCK	4
1-11	6	904673-001 CUP-BEARING #HM803110	2	1-11	22	4475-006 BOLT-3/8-16X3/4 FLG WHIZ	5
1-11	7	358-012 BOLT-1/2-13 X 1 1/4 GR #5 HEX	8	1-11	23	218252-223 CHAIN-BL666 223 PITCHES	1
1-11	8	1732-003 BEARING-#202KRR7 FAFNIR	8			219101-001 LINK-BL666 CONNECTOR	0
1-11	9	421-001 NUT-1/2 NC HEX	8	1-11	24	231766-032 CHAIN-RC60-2H 32 PITCH W/C	1
1-11	10	586-001 ZERK-1/8" ST NPT GREASE	1			231766-003 LINK-60-2H CONNECTOR	0
1-11	11	358-030 1/2-13X3"GRADE#5HEX BOLT	4			231766-005 LINK-60-2H ROLLER	0
1-11	12	218252-147 CHAIN-BL666 LEAF 147 PITCHES	1	1-11	25	234744-001 FITTING-8M X 8F 90 DEG SWIVEL	1
		219101-001 LINK-BL666 CONNECTOR	0			234744-003 REPAIR KIT	1
1-11	13	217762-001 ANCHOR-CHAIN	2	1-11	26	53824-001 FITTING-#8M O-RING-#8M JIC ST.	1
1-11	14	217205-001 PIN-CHAIN (.3125 X 2.40)	2	1-11	27	218253-001 HKEY-5/16X5/16-2.00	1
1-11	15	215715-001 ROD-SLIDE	2	1-11	28	215707-001 SHIELD	1
1-11	16	215703-001 SPACER - BEARING	1	1-11	29	53844-381 HOSE-1/2X8.50 8FS JIC 2000 PSI	1

ROLLER ASSEMBLY (FRONT)

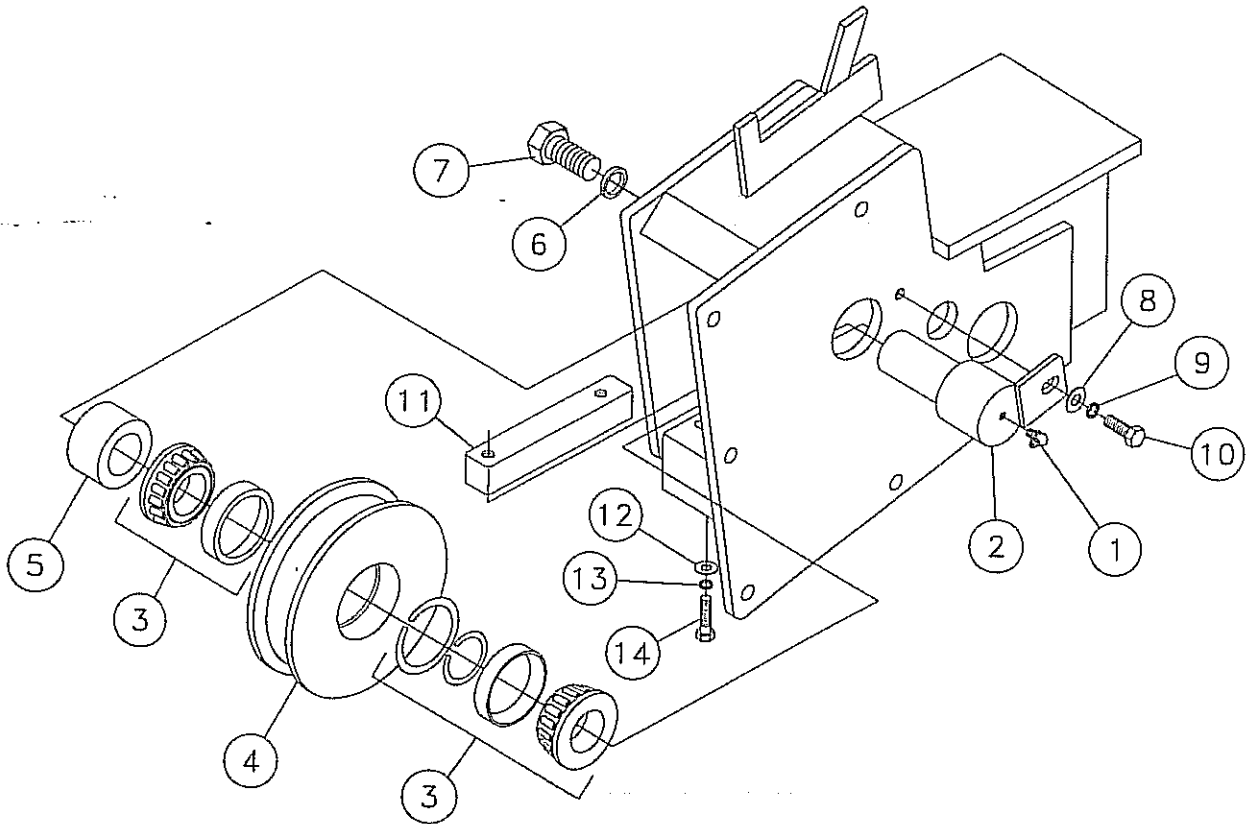
Figure 1-12



<u>REF. NO.</u>	<u>PART NO.</u>	<u>DESCRIPTION</u>	<u>QTY.</u>
1-12	1	588-001 ZERK-1/8" NPT 45 DEG GREASE	1
1-12	2	220904-003 PIN-ASSEMBLY-ROLLER (INC. REF. 1)	1
1-12	3	217234-001 BEARING SET-1 3/8" ROLLER	1
1-12	4	236084-001 ROLLER-SMALL	1
1-12	5	215724-001 SPACER-ROLLER	1
1-12	6	480-017 WASHER-3/4 S/T LOCK	1
1-12	7	369-014 BOLT-3/4"-10X 1 1/2" GRADE#5HEX	1
1-12	8	485-007 WASHER-3/8 FLAT	1
1-12	9	480-007 WASHER-3/8 S/T LOCK	1
1-12	10	354-010 BOLT-3/8-16X1" GRADE#5 HEX	1

ROLLER ASSEMBLY (REAR)

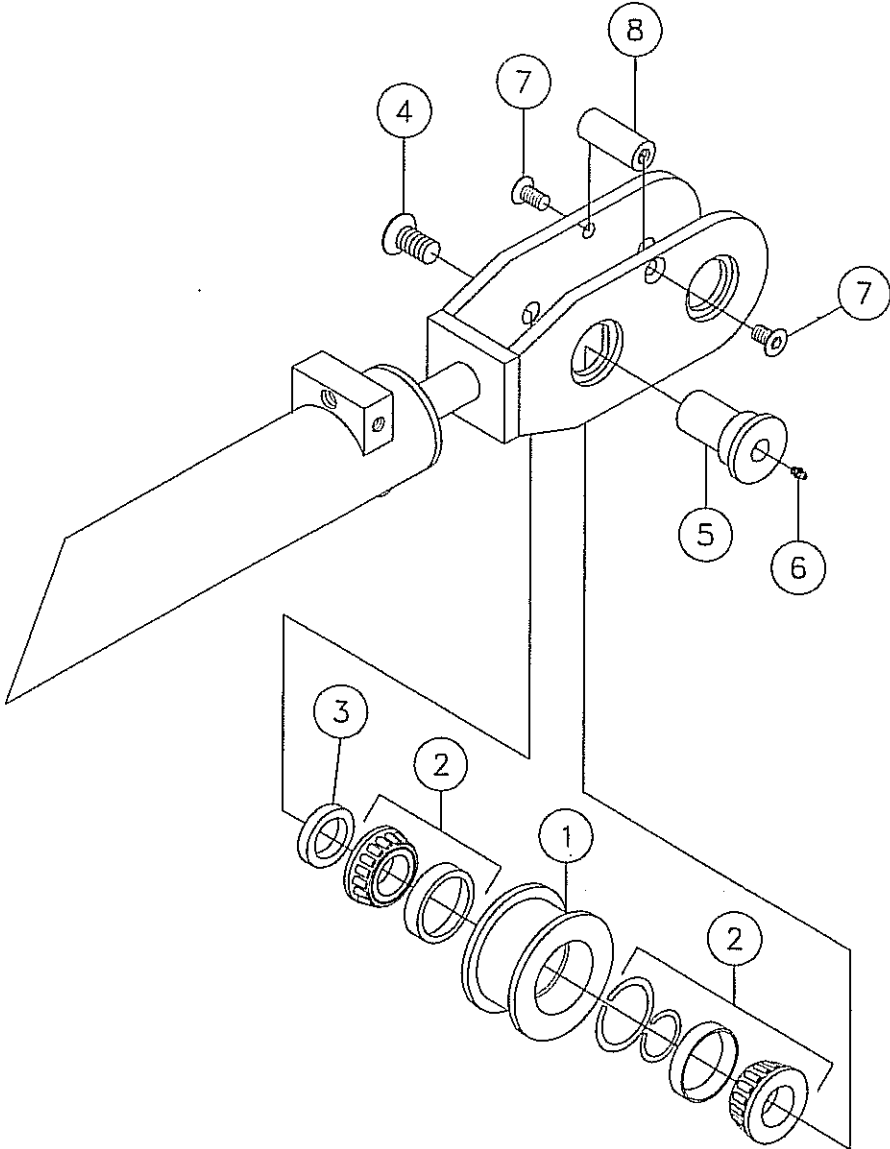
Figure 1-14



<u>REF. NO.</u>	<u>PART NO.</u>	<u>DESCRIPTION</u>	<u>QTY.</u>
1-14	1	588-001 ZERK-1/8" NPT 45 DEG GREASE	1
1-14	2	220904-003 PIN-ASSEMBLY-ROLLER (INC. REF. 1)	1
1-14	3	217234-001 BEARING SET-1 3/8" ROLLER	1
1-14	4	236086-001 ROLLER-LARGE	1
1-14	5	215724-001 SPACER-ROLLER	1
1-14	6	480-017 WASHER-3/4 S/T LOCK	1
1-14	7	369-014 BOLT-3/4"-10X 1 1/2"GRADE#5HEX	1
1-14	8	485-007 WASHER-3/8 FLAT	1
1-14	9	480-007 WASHER-3/8 S/T LOCK	1
1-14	10	354-010 BOLT-3/8-16X1" GRADE#5 HEX	1
1-14	11	220307-001 BLOCK-NYLON WEAR	2
1-14	12	485-005 WASHER-5/16 FLAT	4
1-14	13	480-005 WASHER-5/16 S/T LOCK	4
1-14	14	351-012 BOLT-5/16"-18X1 1/4"GR5 HEX	4

ROLLER ASSEMBLY (CYLINDER)

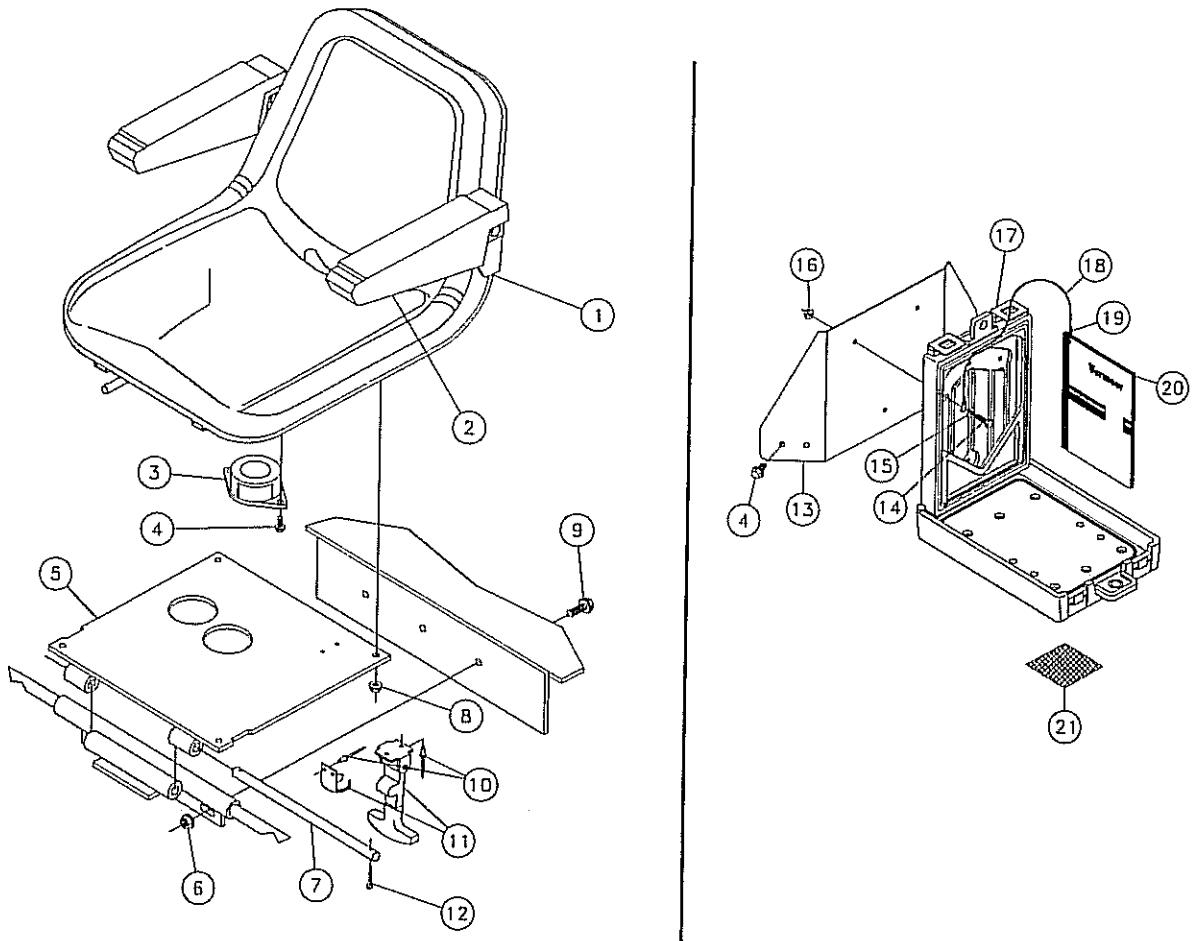
Figure 1-13



REF. NO.	PART NO.	DESCRIPTION	QTY.
1-13	1	236084-001 ROLLER-SMALL	2
1-13	2	217234-001 BEARING SET-1 3/8" ROLLER	2
1-13	3	217768-001 TUBE - SMALL ROLLER	2
1-13	4	521-014 3/4-10X1 1/2"FLT SKT HD CP SCR	2
1-13	5	236083-003 PIN ASSY-ROLLER (INC. REF. 6)	2
1-13	6	598-001 ZERK-1/4" NF ST GREASE	2
1-13	7	231974-010 SCREW-1/2-13 X 1 FLT HD SOCKET	2
1-13	8	236089-001 PIN-SPACER	1

SEAT/LITERATURE BOX ASSEMBLY

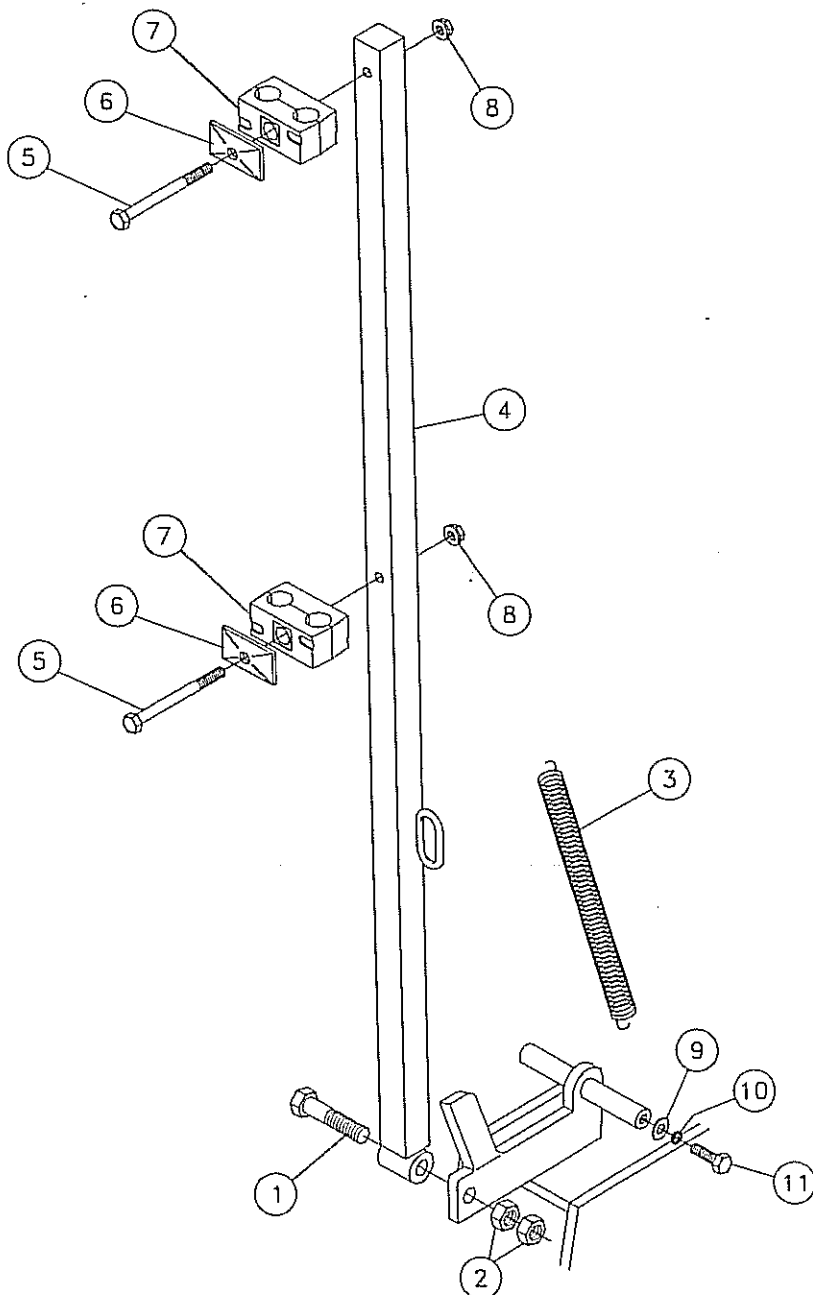
Figure 1-15



REF. NO.	PART NO.	DESCRIPTION	QTY.	REF. NO.	PART NO.	DESCRIPTION	QTY.
1-15	1	219186-001 SEAT-MILSCO OLYMPIC	1	1-15	13	235683-001 MOUNT-MANUAL BOX	1
1-15	2	220238-001 KIT-MILSCO OLYMPIC ARM REST (OPT.) (INC. MOUNTING HARDWARE)	1	1-15	14	350-006 BOLT-1/4-20X3/4"GRADE #5 HEX	3
1-15	3	219186-003 SWITCH-SAFETY	1	1-15	15	485-003 WASHER-1/4 FLAT	3
1-15	4	4473-004 1/4-20X1/2 FLGE WHIZ BOLT	6	1-15	16	405-001 NUT-1/4 NC FLG WHIZ LOCK	3
1-15	5	219467-001 MOUNT-SEAT	1	1-15	17	204812-001 CASE-9X6LITERATURE COMPARTMENT	1
1-15	6	4536-001 NUT - 3/8-16 FLG. WHIZ LOCK	3	1-15	18	142954-001 CABLE-.068DIA.NYLON CT-.36.00	1
1-15	7	219468-001 ROD-SEAT MOUNT	1	1-15	19	142423-001 CRIMP-CABLE (FOR.068DIA.CABLE)	2
1-15	8	408-001 NUT-5/16 NC FLG WHIZ LOCK	4	1-15	20	238821-001 OPERATOR'S MANUALASSY-D7X11A (INC. REF. 18 & 19)	1
1-15	9	4475-010 BOLT-3/8-16X1 FLANGE WHIZ	3	1-15	21	70000-294 DECAL-OPERATOR'S MANUAL (DOM.)	1
1-15	10	547-005 POP RIVET-SS64D	4		70001-294 DECAL-OPERATOR'S MANUAL (INT.)	1	
1-15	11	1864-001 LATCH-FLEXIBLE DRAW LATCH	1				
1-15	12	510-009 COTTER PIN-1/8" X 1"	2				

HOSE ARM ASSEMBLY

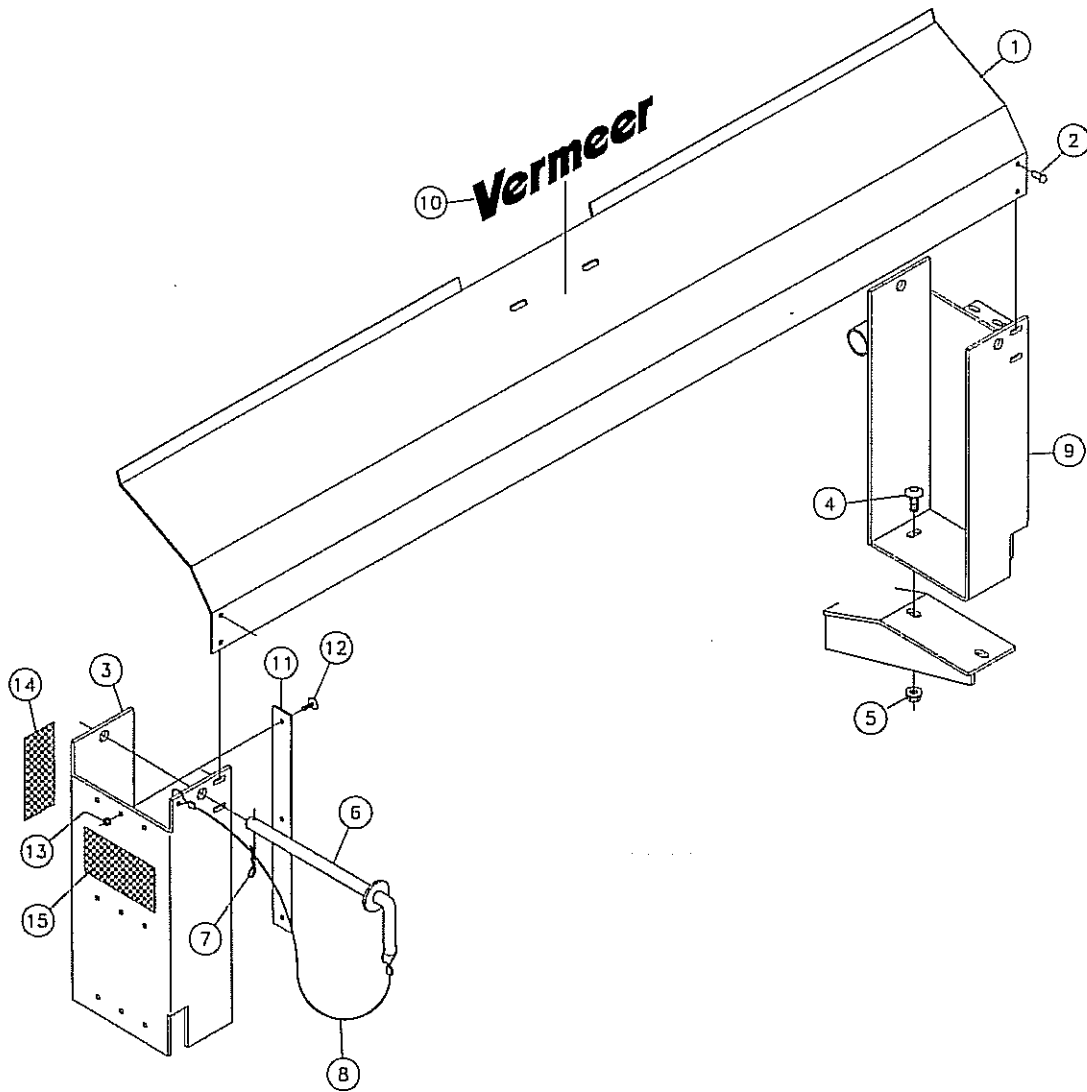
Figure 1-16



REF. NO.	PART NO.	DESCRIPTION	QTY.	REF. NO.	PART NO.	DESCRIPTION	QTY.
1-16	1	358-024 BOLT-1/2-13X2 1/2*GRADE#5HEX	1	1-16	7	96716-001 HOSE HOLDER-1"DOUBLE	2
1-16	2	421-001 NUT-1/2 NC HEX	2	1-16	8	408-001 NUT-5/16 NC FLG WHIZ LOCK	2
1-16	3	236391-001 SPRING	2	1-16	9	485-005 WASHER-5/16 FLAT	2
1-16	4	229381-001 ARM-HOSE	1	1-16	10	480-005 WASHER-5/16 S/T LOCK	2
1-16	5	351-034 BOLT-5/16-18X3 1/2 HEXHD GR.5	2	1-16	11	351-006 BOLT-5/16-18X3/4* GRADE#5 HEX	2
1-16	6	96716-005 COVER PLATE-TWIN HOSE HOLDER	2				

DRILL ROD BOX ASSEMBLY

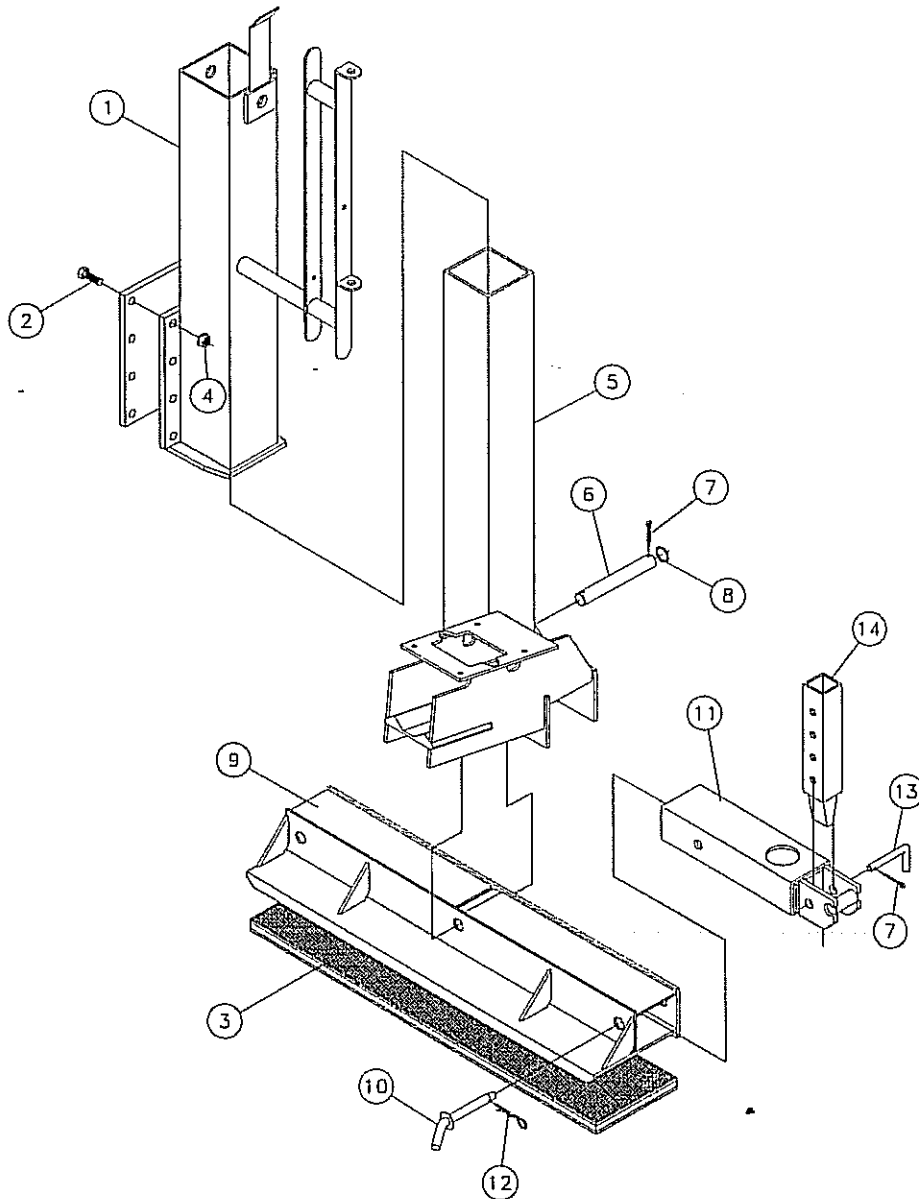
Figure 1-17



REF. NO.	PART NO.	DESCRIPTION	QTY.	REF. NO.	PART NO.	DESCRIPTION	QTY.
1-17	1	229337-001 SHIELD-ROD	1	1-17	9	229262-001 BOX-ROD	1
1-17	2	220710-001 RIVET-ALUMINUM RND HD 3/8X7/8	4	1-17	10	2326-619 DECAL- VERMEER 3 X 15	1
1-17	3	229261-001 BOX-ROD	1	1-17	11	229290-001 BAR-DRAINAGE ROD	3
1-17	4	377-012 BOLT-1/2-13X1 1/4*GD#5CARRIAGE	4	1-17	12	113551-005 1/4-20X3/4 ELEVATOR BOLT	9
1-17	5	1809-001 NUT-1/2 SM FLGE CENTER LOCK	4	1-17	13	405-001 NUT-1/4 NC FLG WHIZ LOCK	9
1-17	6	229278-001 PIN-ROD BOX	2	1-17	14	7000A-394 DECAL - WARNING	1
1-17	7	1794-003 HAIR PIN COTTER - .148 WIRE	2	1-17	15	700IA-394 DECAL - WARNING (INT.)	1
1-17	8	1830-005 CABLE-3/32'NYLON COATED 20'	2	1-17	15	7000A-576 DECAL-DANGER	1
		1838-001 CONNECTOR-WIRE (ETC)	4			700IA-576 DECAL-DANGER (INT.)	1

OUTRIGGER ASSEMBLY

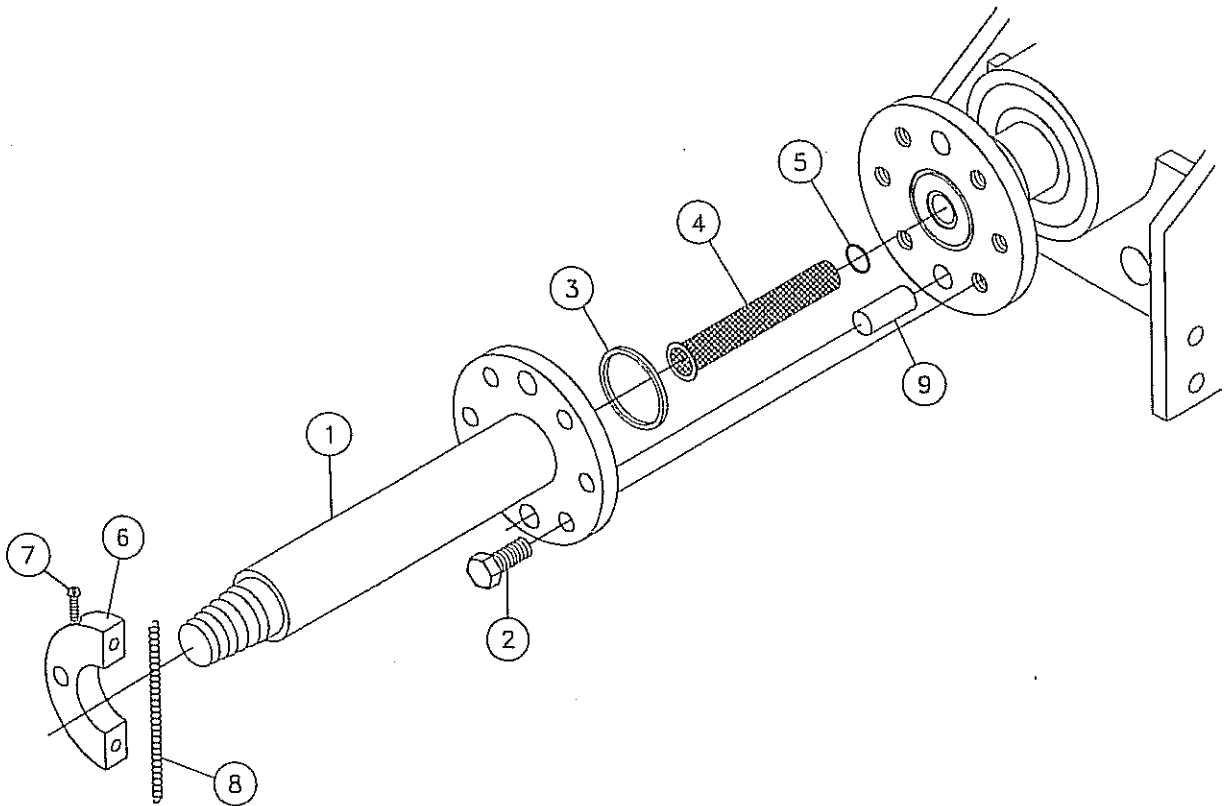
Figure 1-18



<u>REF. NO.</u>	<u>PART NO.</u>	<u>DESCRIPTION</u>	<u>QTY.</u>
1-18	1	229411-001 TUBE-OUTRIGGER	1
1-18	2	358-014 BOLT-1/2-13X1 1/2"GRADE#5 HEX	6
1-18	3	219400-001 RUBBER-FOOT PAD 1 X 7.20-35.00 (GLUED TO OUTRIGGER FOOT)	1
1-18	4	1809-001 NUT-1/2 SM FLGE CENTER LOCK	6
1-18	5	235516-001 OUTRIGGER	1
1-18	6	55617-001 PIN-CYLINDER	1
1-18	7	510-023 COTTER PIN-3/16" X 1 3/4"	6
1-18	8	463-005 WASHER-1 1/2X1X14 GA M.B.	2
1-18	9	219399-001 OUTRIGGER FOOT ASSY (INC. REF. 3)	1
1-18	10	220750-001 FOOT PIN ASSY	2
1-18	11	226129-001 EXTENSION-OUTRIGGER FOOT	2
1-18	12	1794-003 HAIR PIN COTTER - .148 WIRE	4
1-18	13	226141-001 PIN-OUTRIGGER POCKET MOUNT	2
1-18	14	220754-001 STAKE-SHORT	2

DRIVE CHUCK ASSEMBLY

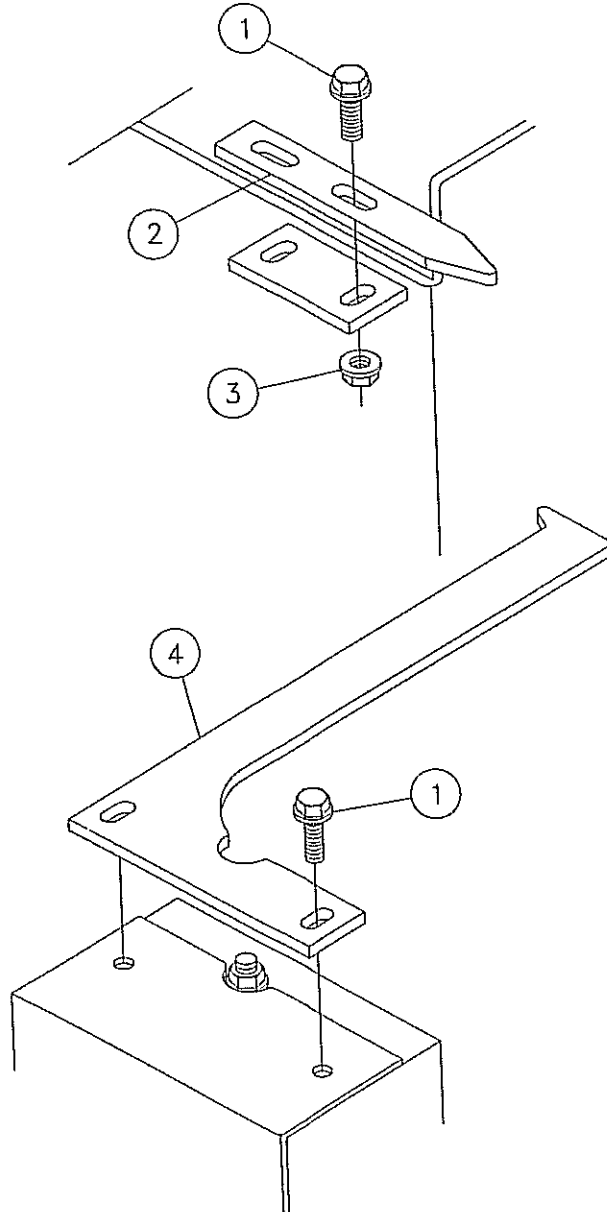
Figure 1-19



REF. NO.	PART NO.	DESCRIPTION	QTY.
1-19	1	216453-001 DRIVE CHUCK-1 7/8"OD 5" FLGE V	1
1-19	2	75381-012 BOLT-1/2-UNCX1 1/4 GR.B HEX	6
1-19	3	72897-001 O RING-SQ. #24 FLANGE	1
1-19	4	905011-001 SCREEN (DRILL FLUID)	1
		905012-001 SCREEN (WATER)	1
1-19	5	904508-001 WASHER-BLACK RUBBER	1
1-19	6	216460-001 ARM-CLOCK	1
1-19	7	220692-001 SCREW-#6 X 3/4 PAN ED SELF-TAP	2
1-19	8	220693-001 SPRING-EXT. .25ODX.03WIRE-5.00	1
1-19	9	70096-001 PIN-DOWEL 5/8DIA.-1 1/2	1

POINTER ASSEMBLY

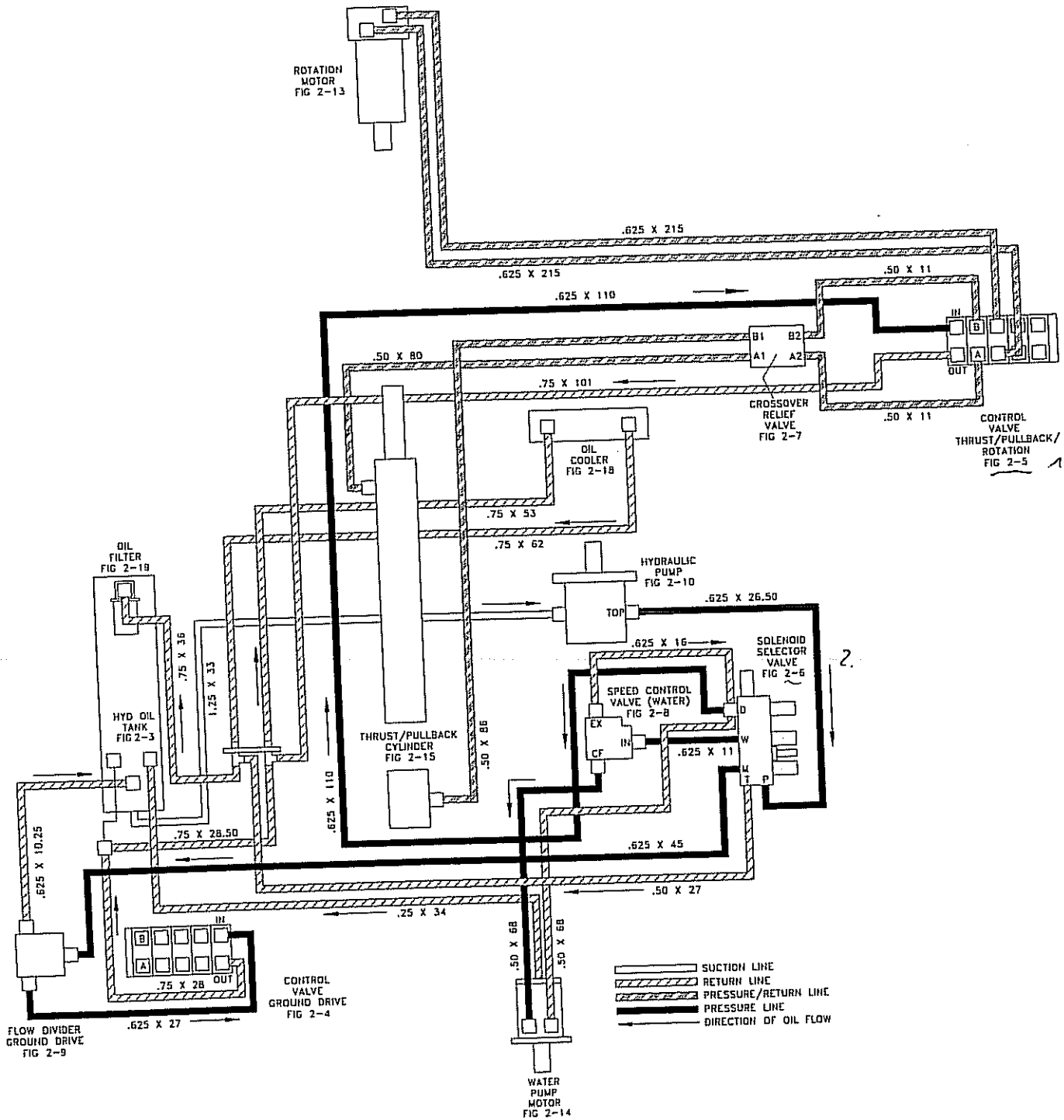
Figure 1-20



<u>REF. NO.</u>	<u>PART NO.</u>	<u>DESCRIPTION</u>	<u>QTY.</u>
1-20	1	4475-010 BOLT-3/8-16X1 FLANGE WHIZ	4
1-20	2	219413-001 POINTER	1
1-20	3	4536-001 NUT - 3/8-16 FLG. WHIZ LOCK	2
1-20	4	219412-001 POINTER	1

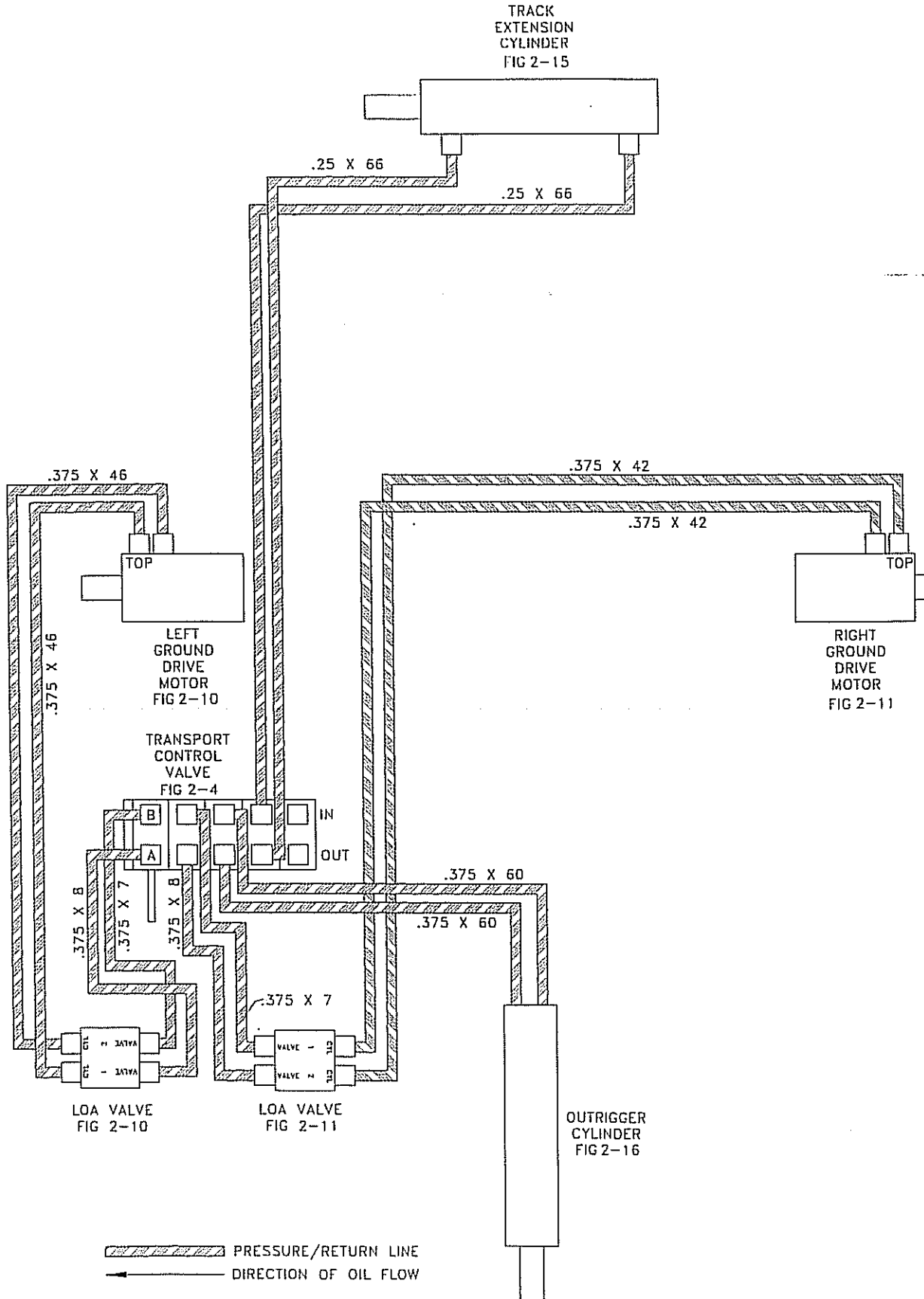
HYDRAULIC COMPONENTS LOCATION DIAGRAM (THRUST/PULLBACK/ROTATION)

Figure 2-1



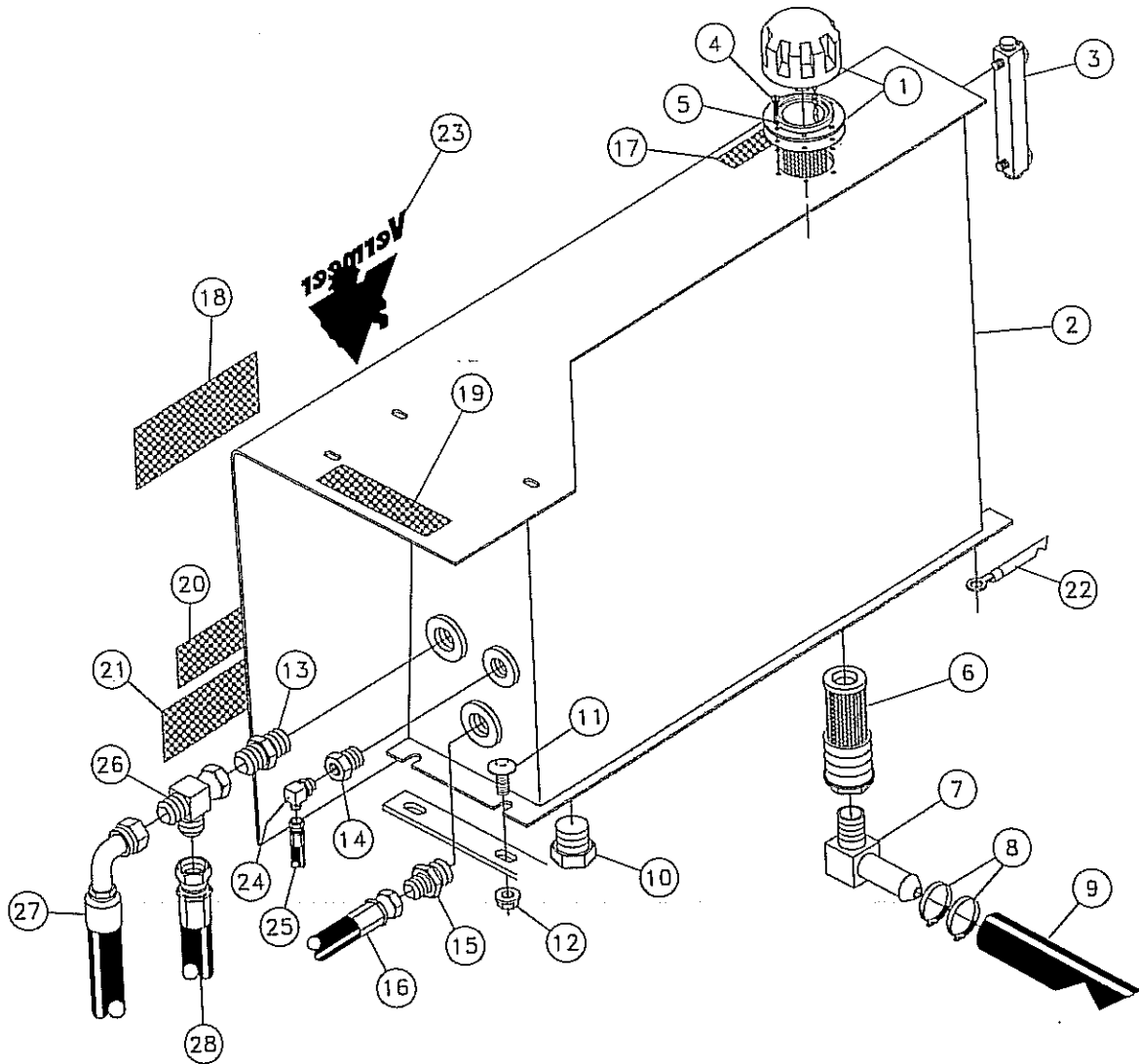
HYDRAULIC COMPONENTS LOCATION DIAGRAM (GROUND DRIVE)

Figure 2-2



HYDRAULIC OIL TANK ASSEMBLY

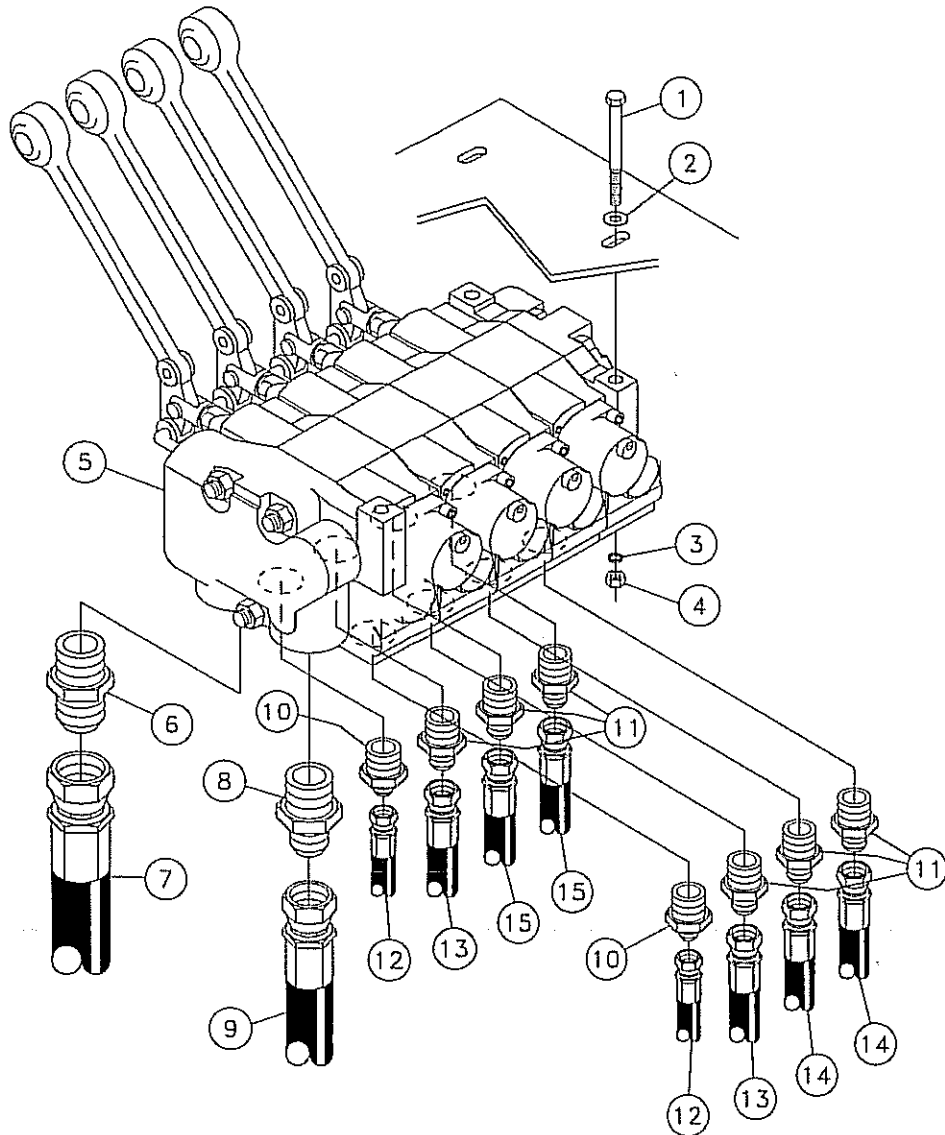
Figure 2-3



REF. NO.	PART NO.	DESCRIPTION	QTY.	REF. NO.	PART NO.	DESCRIPTION	QTY.
2-3	1	900963-001	1	2-3	16	53842-481	HOSES/8X10 1/4 10FSJICST/90300
2-3	2	229267-001	1	2-3	17	70000-394	DECAL-VERMEER HY POWER
2-3	3	81590-001	1	2-3	18	7000A-576	DECAL-DANGER
2-3	4	533-006	6			700IA-576	DECAL-DANGER (INT.)
2-3	5	480-001	6	2-3	19	7000A-014	DECAL-CONTROLS 6 X 1 5/8
2-3	6	900041-001	1	2-3	20	7000A-010	DECAL-MODEL NAVIGATOR(MEDIUM)
2-3	7	904819-001	1	2-3	21	70000-774	DECAL 2 1/2"VERMEER STRIPE (SPECIFY LENGTH)
2-3	8	1580-007	2				A/R
2-3	9	902424-036	1	2-3	22	219381-001	GROUND STRAP 1/2"
2-3	10	81214-001	1	2-3	23	70000-784	DECAL 6"VERMEER LOGO
2-3	11	377-012	4	2-3	24	57950-001	FITTING-6M X 4 JIC 90 DEG.
2-3	12	1809-001	4	2-3	25	53843-241	HOSE-1/4X34 4FS JIC 3000 PSI
2-3	13	229396-001	1	2-3	26	59417-001	12 JIC SW RUN TEE
2-3	14	57967-001	1	2-3	27	53845-789	HOSE 3/4X28 12FSJIC ST/90D3000
2-3	15	53854-001	1	2-3	28	53845-805	HOSE-3/4X28.5 12FSJICST/452250

CONTROL VALVE ASSEMBLY (GROUND DRIVE)

Figure 2-4



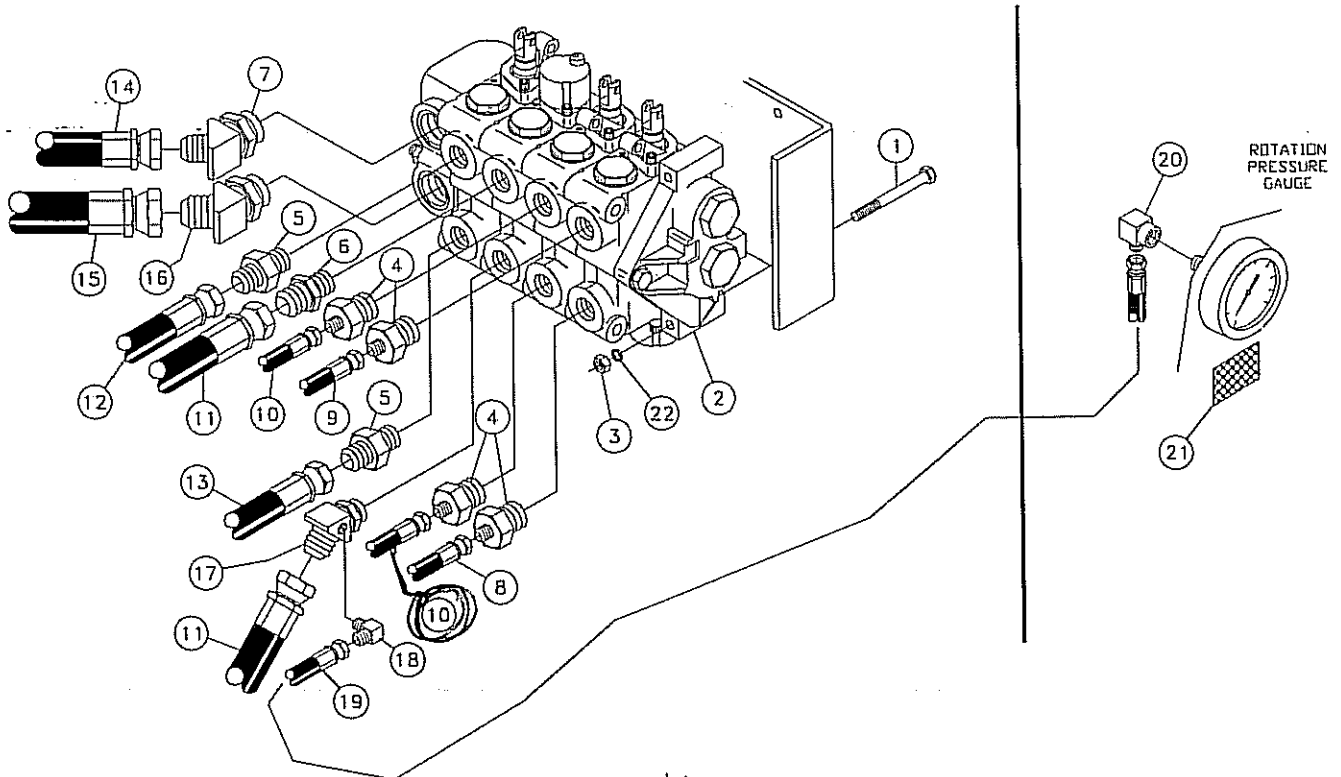
<u>REF. NO.</u>	<u>PART NO.</u>	<u>DESCRIPTION</u>	<u>QTY.</u>
2-4	1	351-030 5/16-18X3"GRADE #5 HEX BOLT	3
2-4	2	485-005 WASHER-5/16 FLAT	3
2-4	3	480-005 WASHER-5/16 S/T LOCK	3
2-4	4	406-001 NUT-5/16 NC HEX	3
2-4	5	229251-001 VALVE-V20 4 SECTION (BREAKDOWN FIG. 2-21)	1
2-4	6	53828-001 #12M O-RING-#12M JIC ST.	1
2-4	7	53845-789 HOSE 3/4X28 12FSJIC ST/90D3000	1
2-4	8	53854-001 12M O-RING-10M JIC ST.	1
2-4	9	53842-489 HOSE 5/8X27 10FSJICST 3000PSI	1
2-4	10	53657-001 FITTING-8M OR X 4M JIC ST.	2
2-4	11	60247-001 FITTING-8M X 6M JIC ST.	6
2-4	12	53843-231 HOSE-1/4X66 4FS JIC 3000 PSI	2
2-4	13	57940-467 HOSE-3/8X60 6FS JIC 3000 PSI	2
2-4	14	57940-163 HOSE-3/8X8 6FS JIC (100R2)	2
2-4	15	57940-699 HOSE-3/8X7 6FSJICST 3000 PSI	2

CONTROL VALVE ASSEMBLY (THRUST/PULLBACK/ROTATION)

D7x11a
 SN 241
 Bh - 367

Figure 2-5

Svjasburmontast



07.12.2001r.

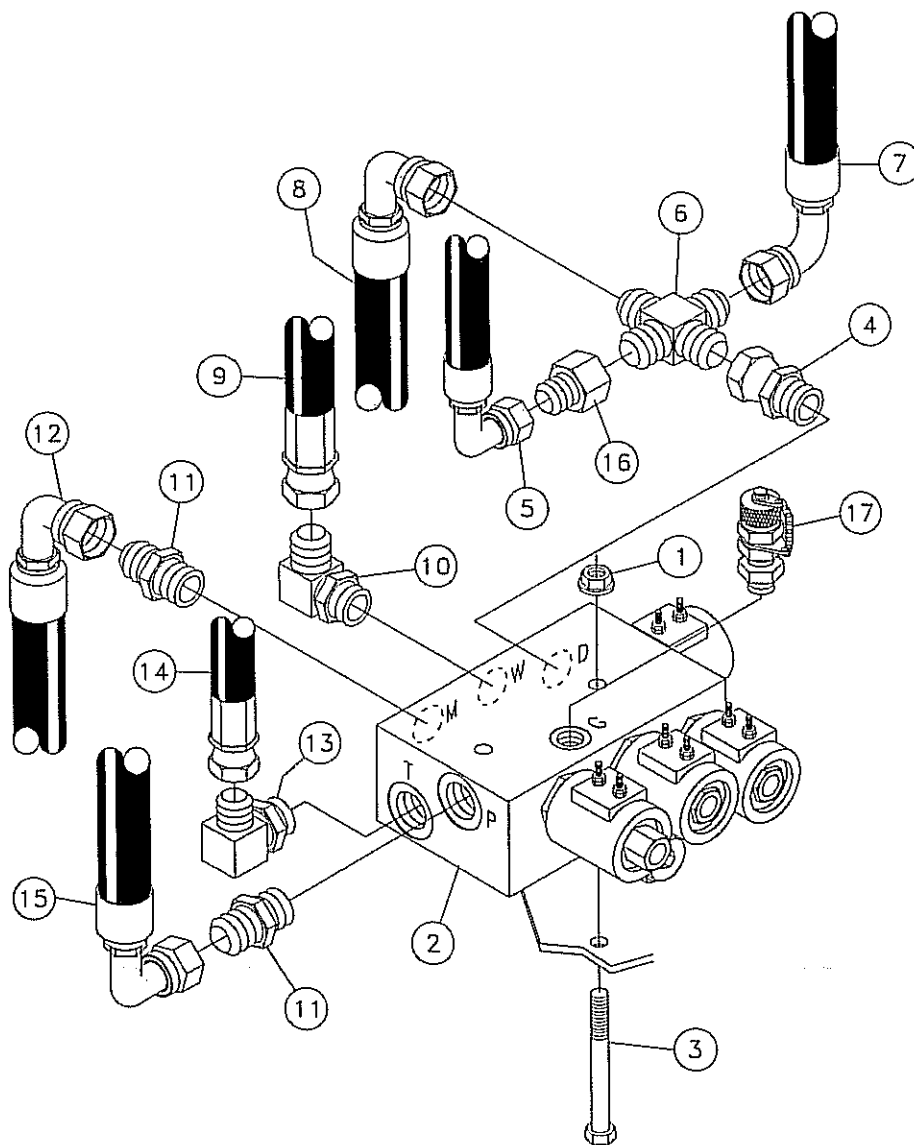
REF. NO.	PART NO.	DESCRIPTION	QTY.	REF. NO.	PART NO.	DESCRIPTION	QTY.
2-5	1	351-030 5/16-18X3"GRADE #5 HEX BOLT	3	2-5	13	53844-653 HOSE 1/2X11 8FSJICST/45D 3000#	1
2-5	2	219120-001 VALVE-V20 4 SECTION (BREAKDOWN FIG. 2-20) * 1.	1	2-5	14	53842-355 HOSE-5/8X110 10FS JIC 3000 PSI	1
2-5	3	406-001 NUT-5/16 NC HEX	3	2-5	15	53845-803 HOSE 3/4X101 12FSJICST/90D3000	1
2-5	4	53657-001 FITTING-8M OR X 4M JIC ST.	4	2-5	16	60718-001 12M JICX12M ADJ.45 DEG.EL	1
2-5	5	53824-001 FITTING-#8M O-RING-#8M JIC ST.	2	2-5	17	229403-001 FITTING-PRESSURE CHECK	1
2-5	6	67850-001 8M X 10MJIC STR	1	2-5	18	68014-001 1/8 M X 4 M JIC 90 DEG.	1
2-5	7	88659-001 FITTING-12M ORINGX10MJIC 45DEG	1	2-5	19	53843-489 HOSE-1/4X100 4FS JIC 3000 PSI	1
2-5	8	53843-363 HOSE-1/4X110 4FS JIC SAE-100R1	1	2-5	20	81665-001 FITTING-1/4FX4M JIC 90 DEG.	1
2-5	9	53843-573 HOSE-1/4 X 112 4FS IC 3000 PSI	1	2-5	21	7001A-526 DECAL-ROTATION PRESSURE (UG)	1
2-5	10	53843-589 HOSE-1/4X92 4FS JIC 3000PSI	1	2-5	22	480-005 WASHER-5/16 S/T LOCK	3
2-5	11	53842-493 HOSE 5/8X215 10FSJICST 3000PSI	2				
2-5	12	53844-651 HOSE 1/2X11 8FSJICST 3000PSI	1				



1 Stueb.

SOLENOID VALVE ASSEMBLY

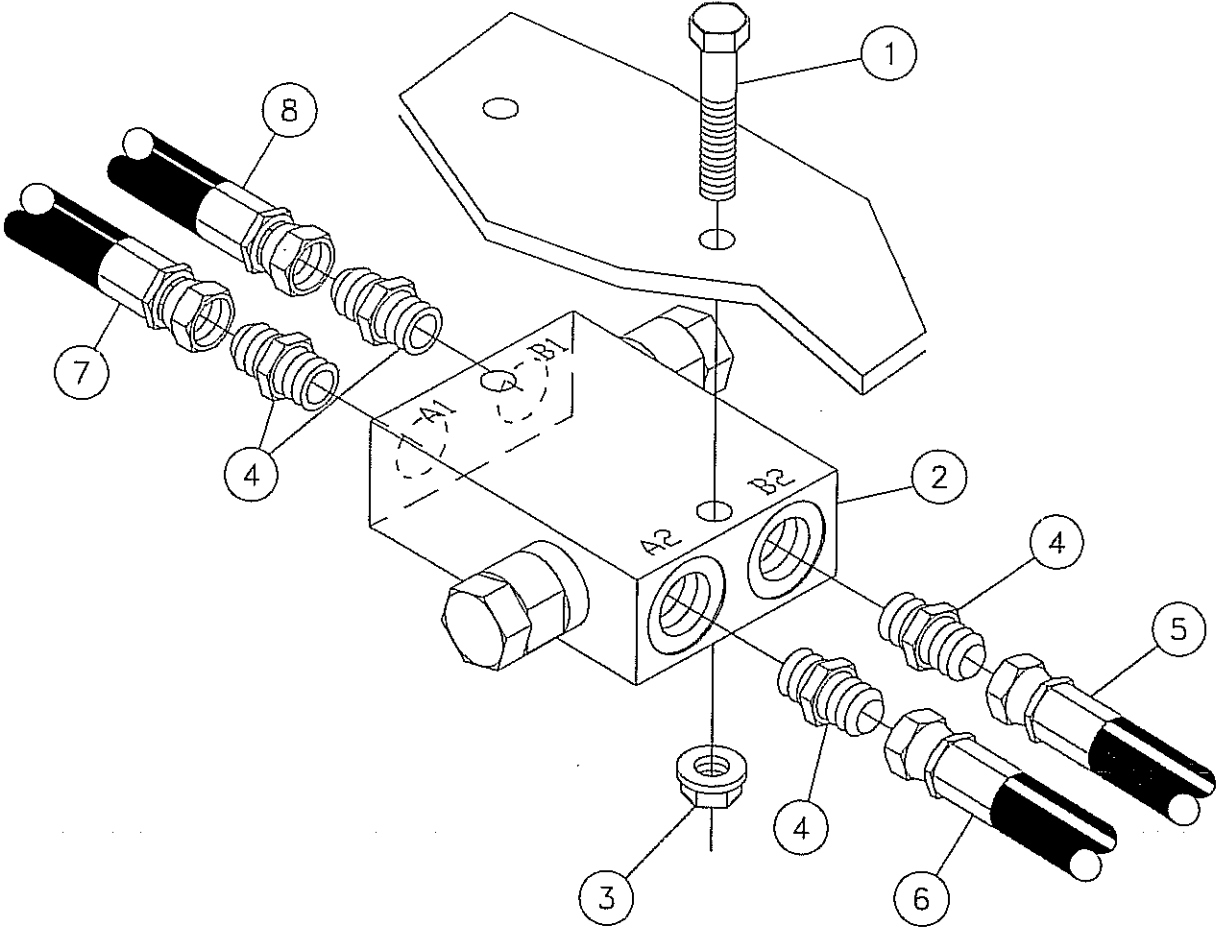
Figure 2-6



REF. NO.	PART NO.	DESCRIPTION	QTY.
2-6	1	4536-001 NUT - 3/8-16 FLG. WHIZ LOCK	2
2-6	2	235675-001 VALVE-SOLENOID (BREAKDOWN FIG. 2-28) 2.	1
2-6	3	354-034 BOLT-3/8-16X3 1/2*GRADE#5 HEX	2
2-6	4	59404-001 10MX10FS JIC ST THRD ADAPTER	1
2-6	5	53844-661 HOSE 1/2X68 8FSJICST/90D 3000#	1
2-6	6	130450-001 FITTING - 10M JIC CROSS	1
2-6	7	53842-485 HOSE 5/8X16 10FSJICST/90D3000#	1
2-6	8	53842-355 HOSE-5/8X110 10FS JIC 3000 PSI	1
2-6	9	53842-501 HOSE-5/8X11 10FSJICST 3500PSI	1
2-6	10	53829-001 #10M O-RING-#10M JIC 90 DEG.	1
2-6	11	53827-001 FITT.-#10M O-RING-#10M JIC ST.	2
2-6	12	53842-491 HOSE 5/8X45 10FSJICST/90D3000#	1
2-6	13	59407-001 8M JICX10M ADJ. 90 DEG.ELBOW	1
2-6	14	53844-655 HOSE 1/2X27 8FSJICST/90D 3000#	1
2-6	15	53842-499 HOSE-5/8X26 1/2 10FSST/90D3500	1
2-6	16	86670-001 FITTING-ADAPT 10FJICX8MJIC RED	1
2-6	17	72056-001 COUPLER-DIAG.	1

CROSSOVER RELIEF VALVE ASSEMBLY

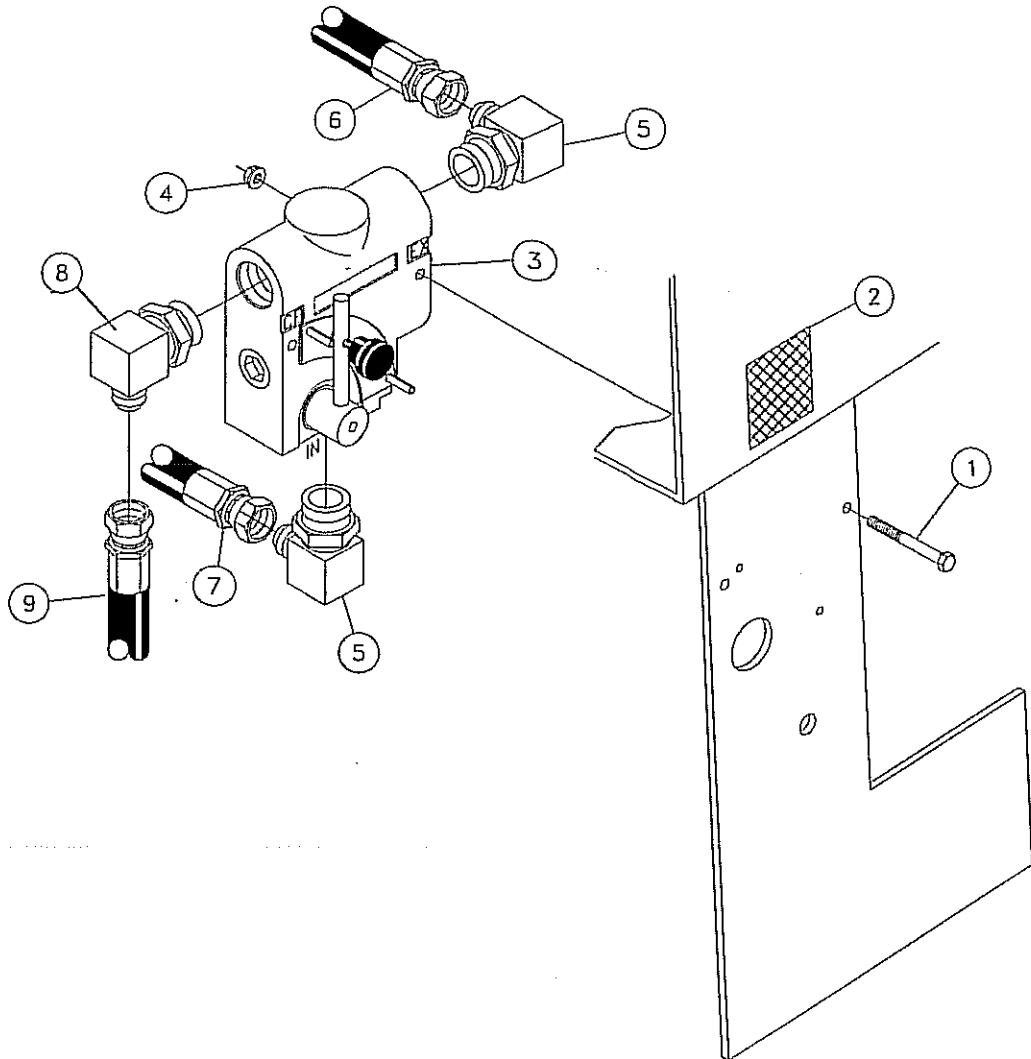
Figure 2-7



REF. NO.	PART NO.	DESCRIPTION	QTY.
2-7	1	354-020 3/8-16X2" GRADE#5 HEX BOLT	2
2-7	2	227247-001 VALVE-RELIEF 2100/2750 PSI (BREAKDOWN FIG. 2-29)	1
2-7	3	4536-001 NUT - 3/8-16 FLG. WHIZ LOCK	2
2-7	4	53824-001 FITTING-#8M O-RING-#8M JIC ST.	4
2-7	5	53844-651 HOSE 1/2X11 8FSJICST 3000PSI	1
2-7	6	53844-653 HOSE 1/2X11 8FSJICST/45D 3000#	1
2-7	7	53844-177 HOSE-1/2X80 8FS JIC 3500 PSI	1
2-7	8	53844-663 HOSE 1/2X86 8FSJICST/90D 3000#	1

FLOW CONTROL VALVE ASSEMBLY

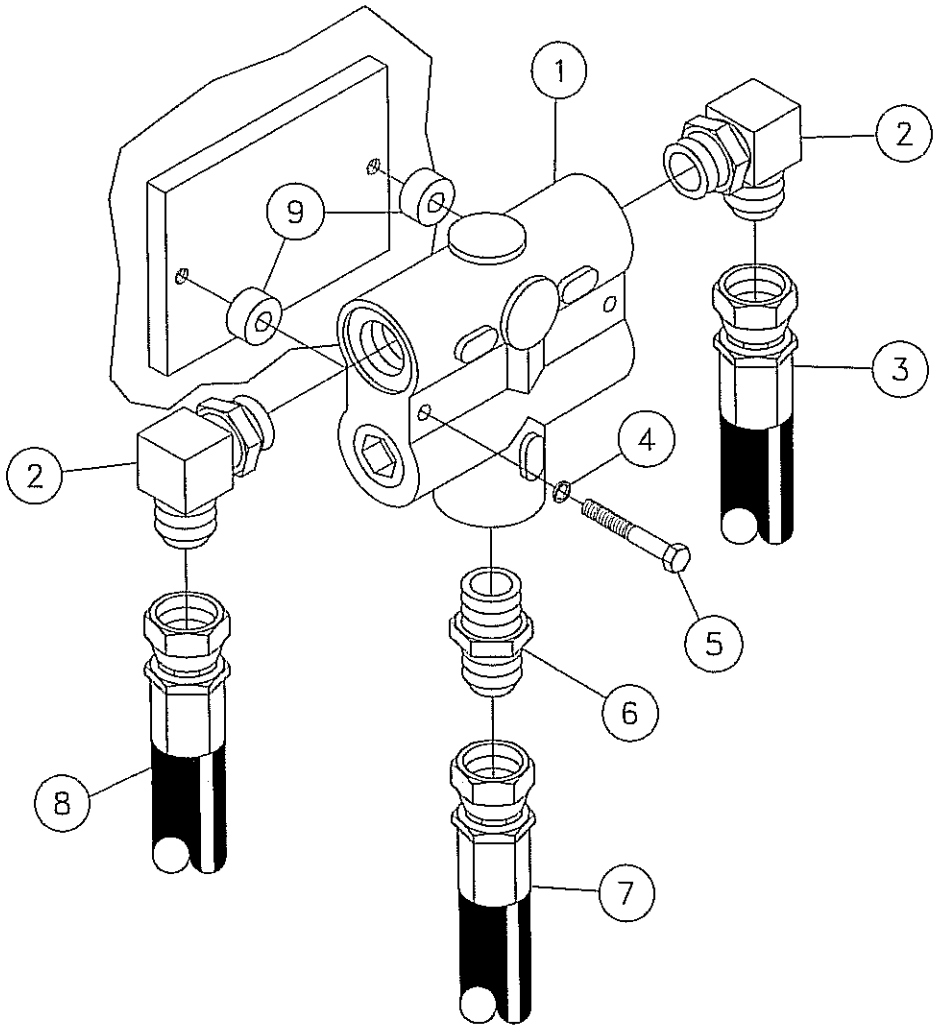
Figure 2-8



<u>REF. NO.</u>	<u>PART NO.</u>	<u>DESCRIPTION</u>	<u>QTY.</u>
2-8	1	350-024 1/4-20X2 1/2*GRADE #5HEX BOLT	2
2-8	2	700IA-355 DECAL-DRILLING FLUIDSPEED(UND)	1
2-8	3	234537-001 VALVE-FLOW CONTROL 16GPM (BREAKDOWN FIG. 2-26)	1
2-8	4	405-001 NUT-1/4 NC FLG WHIZ LOCK	2
2-8	5	59409-001 10M JICX12M ADJ. 90 DEG.ELBOW	2
2-8	6	53842-485 HOSE 5/8X16 10FS.JICST/90D3000#	1
2-8	7	53842-501 HOSE-5/8X11 10FS.JICST 3500PSI	1
2-8	8	57949-001 FITTING-12MX8M JIC 90 DEG. EL.	1
2-8	9	53844-065 HOSE-1/2X68 8FS JIC (100R2)	1

FLOW CONTROL VALVE ASSEMBLY

Figure 2-9

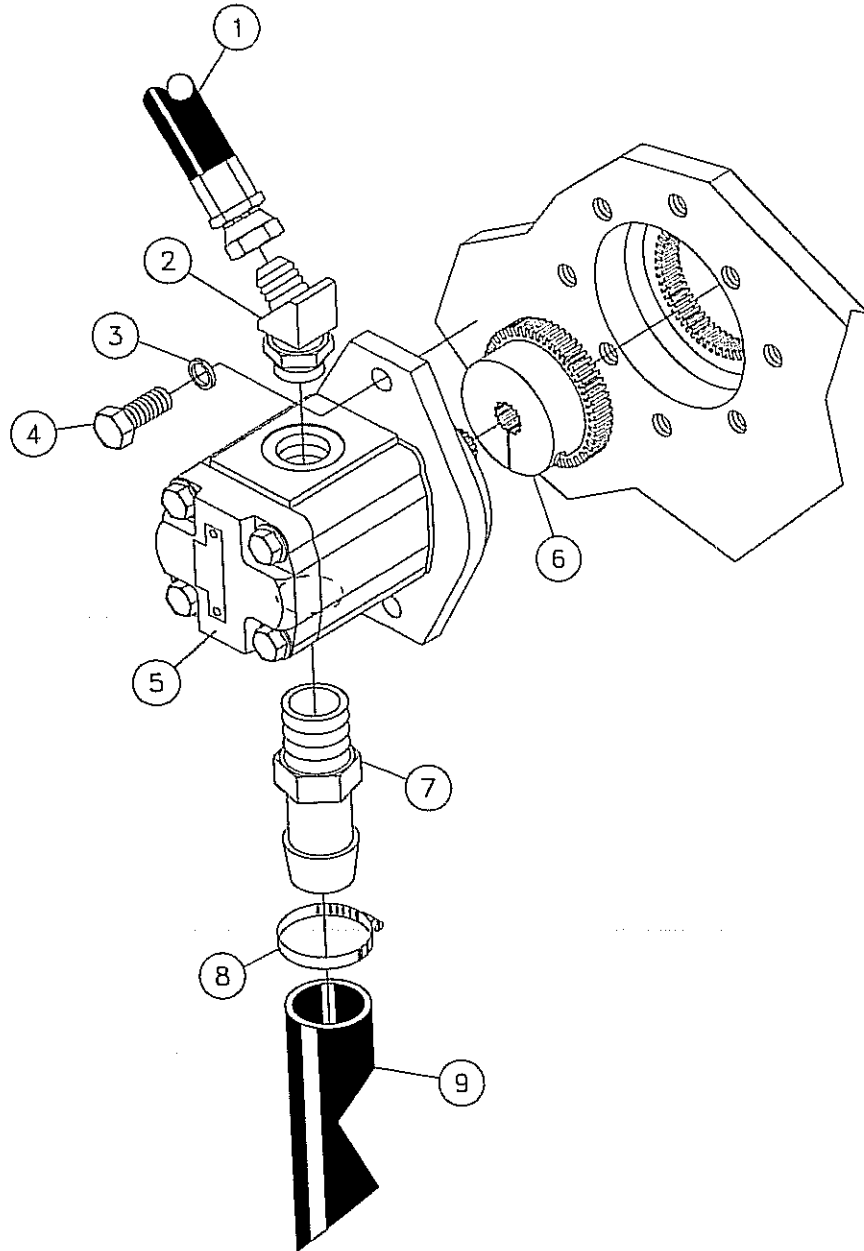


REF. NO.	PART NO.	DESCRIPTION	QTY.
2-9	1	229328-001 VALVE-BG510 FLOW DIVIDER (BREAKDOWN FIG. 2-27)	1
2-9	2	53829-001 #10M O-RING-#10M JIC 90 DEG.	2
2-9	3	53842-481 HOSE5/8X10 1/4 10FSJICST/90300	1
2-9	4	480-003 WASHER-1/4 S/T LOCK	2
2-9	5	350-016 1/4-20X1 3/4"GRADE#5 HEX BOLT	2
2-9	6	53827-001 FITT.-#10M O-RING-#10M JIC ST.	1
2-9	7	53842-491 HOSE 5/8X45 10FSJICST/90D3000#	1
2-9	8	53842-489 HOSE 5/8X27 10FSJICST 3000PSI	1
2-9	9	1075-027 3/4ODX5/16ID RND. TUBING-.375	2



GEAR PUMP ASSEMBLY

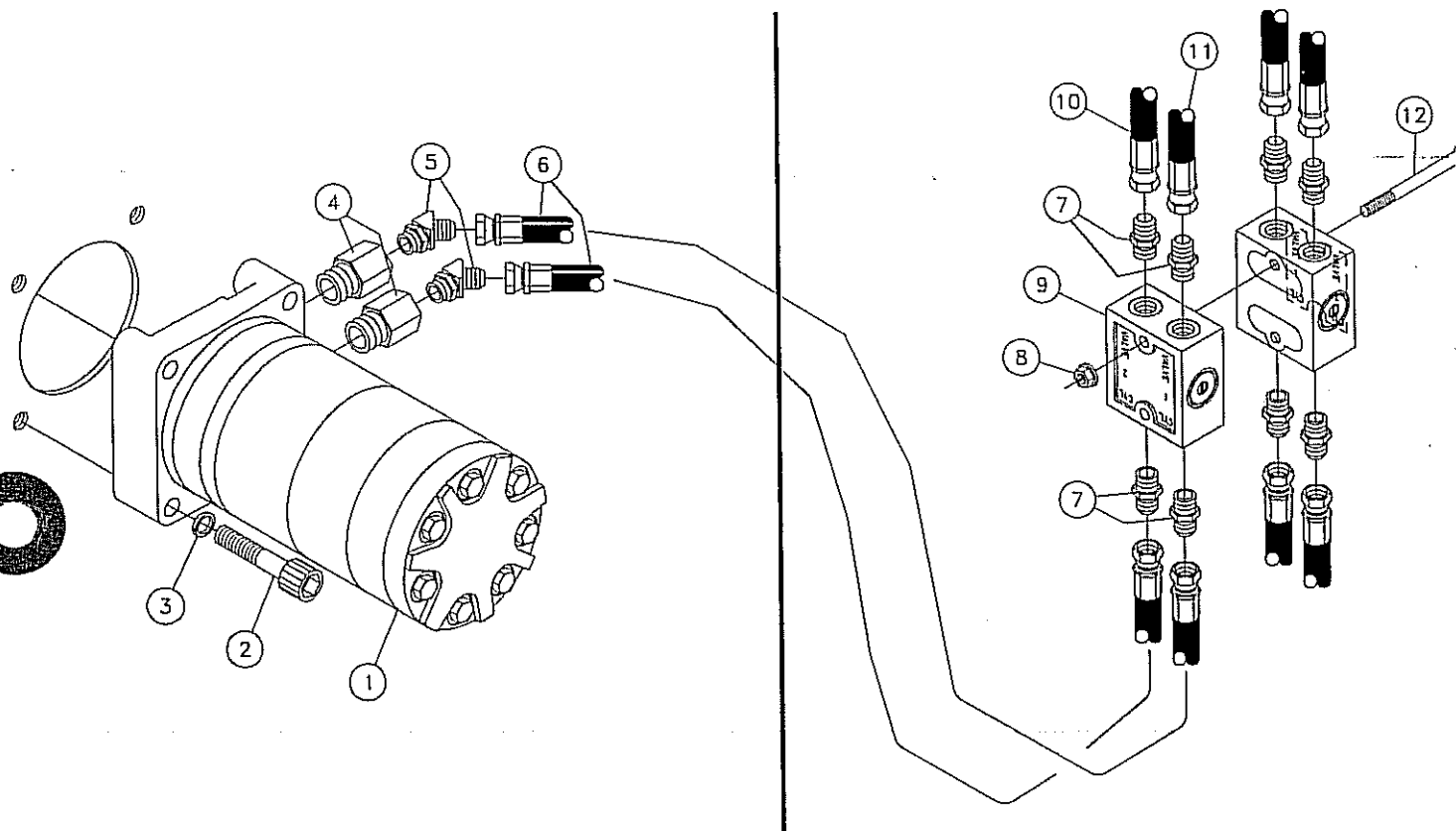
Figure 2-10



<u>REF. NO.</u>	<u>PART NO.</u>	<u>DESCRIPTION</u>	<u>QTY.</u>
2-10	1	53842-499 HOSE-5/8X26 1/2 10FSST/90D3500	1
2-10	2	88659-001 FITTING-12M ORINGX10MJIC 45DEG	1
2-10	3	480-011 WASHER-1/2 S/T LOCK	2
2-10	4	358-012 BOLT-1/2-13 X 1 1/4 GR #5 HEX	2
2-10	5	227238-001 PUMP-HYD 11T SPLINE 1.40 CID (BREAKDOWN FIG. 2-30)	1
2-10	6	227239-001 HUB-11T SPLINE	1
2-10	7	904818-001 INSERT-16M X 1 1/4 HOSE	1
2-10	8	1580-007 HOSE CLAMP - 1 1/2"	1
2-10	9	902424-036 HOSE 1 1/4" SUCTION 33.00	1

TRACK DRIVE MOTOR ASSEMBLY (LEFT)

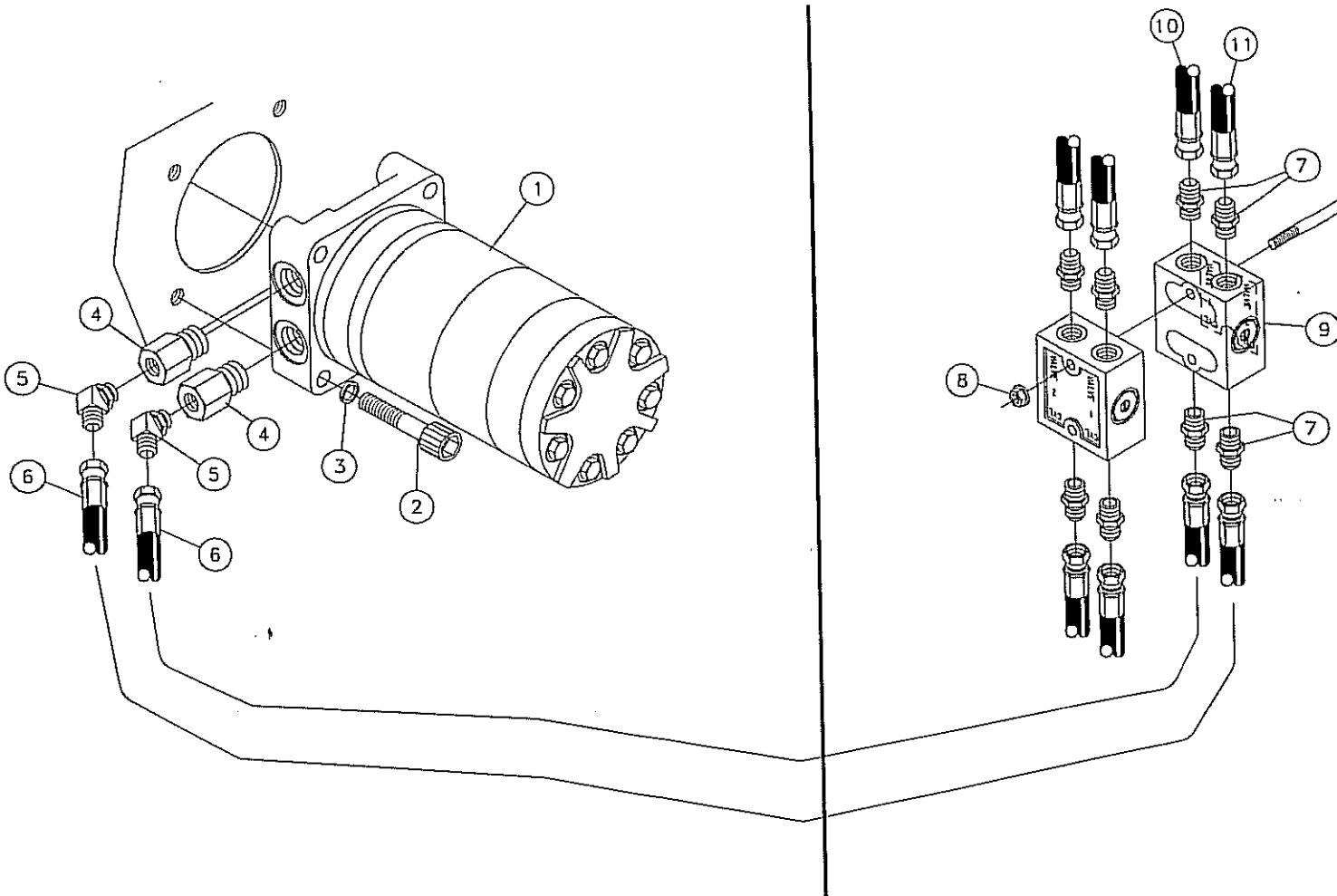
Figure 2-11



REF. NO.	PART NO.	DESCRIPTION	QTY.
2-11	1	213890-001 MOTOR-HYD.58CID ME SERIES (BREAKDOWN FIG. 2-31)	1
2-11	2	86881-001 SCREW-1/2-13X2 1/2 SOC.HD CAP	4
2-11	3	480-011 WASHER-1/2 S/T LOCK	4
2-11	4	57967-001 10M-6F O-RING BUSHING	2
2-11	5	65563-001 6M X 6M JIC 45 DEGREE	2
2-11	6	57940-293 HOSE-3/8 X 46 6FS JIC 3000 PSI	2
2-11	7	65565-001 FITTING-6M X 6M JIC ST.	4
2-11	8	408-001 NUT-5/16 NC FLG WHIZ LOCK	2
2-11	9	86668-001 VALVE-LOA-6-D (BREAKDOWN FIG. 2-37)	1
2-11	10	57940-699 HOSE-3/8X7 6FSJICST 3000 PSI	1
2-11	11	57940-163 HOSE-3/8X8 6FS JIC (100R2)	1
2-11	12	351-034 BOLT-5/16-18X3 1/2 HEXHD GR.5	2

TRACK DRIVE MOTOR ASSEMBLY (RIGHT)

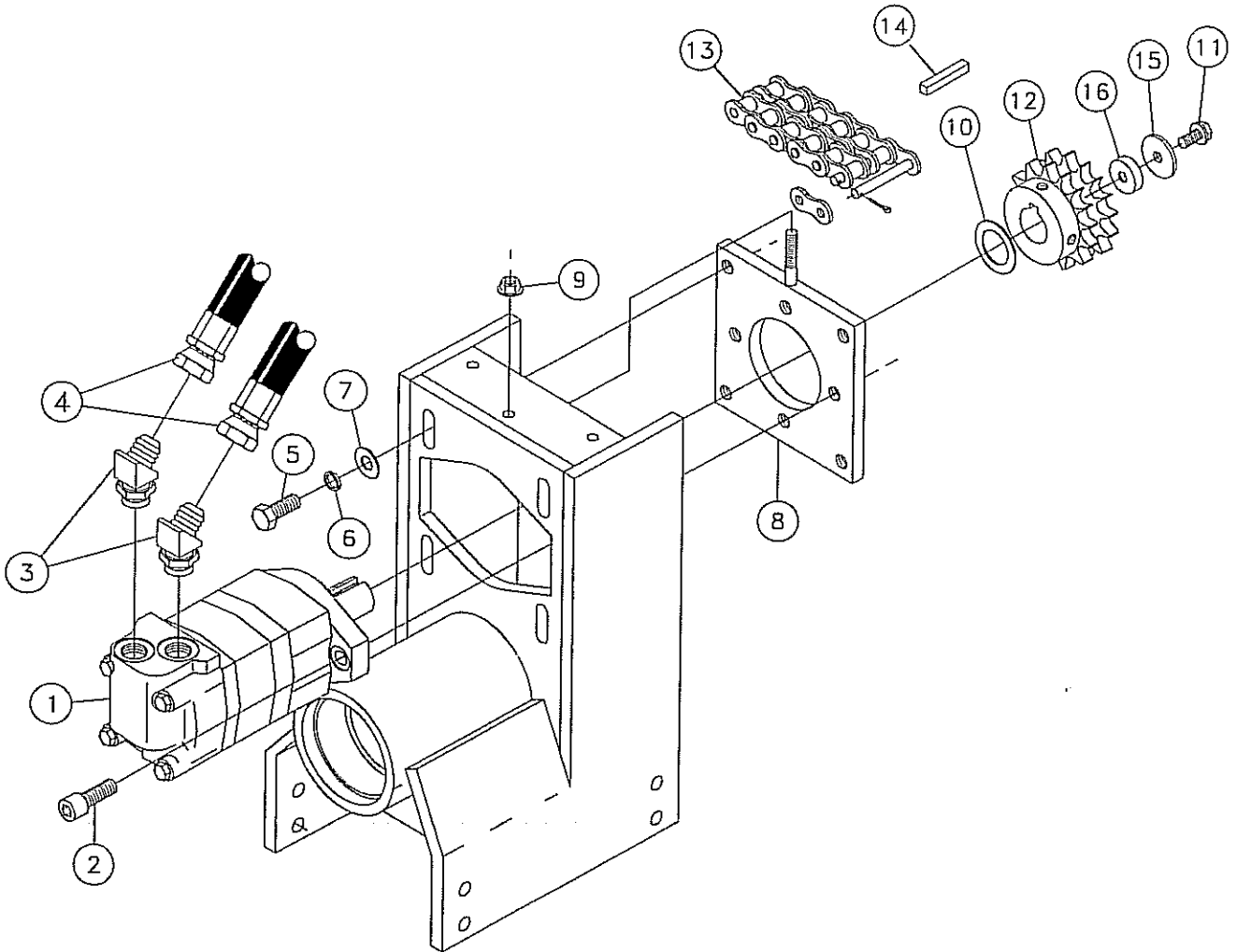
Figure 2-12



REF. NO.	PART NO.	DESCRIPTION	QTY.
2-12	1	213890-001 MOTOR-HYD.58CID ME SERIES (BREAKDOWN FIG. 2-31)	1
2-12	2	86881-001 SCREW-1/2-13X2 1/2 SOC.HD CAP	4
2-12	3	480-011 WASHER-1/2 S/T LOCK	4
2-12	4	57967-001 10M-6F O-RING BUSHING	2
2-12	5	65563-001 6M X 6M JIC 45 DEGREE	2
2-12	6	57940-259 HOSE-3/8X42 6FS JIC 3000 PSI	2
2-12	7	65565-001 FITTING-6M X 6M JIC ST.	4
2-12	8	408-001 NUT-5/16 NC FLG WHIZ LOCK	2
2-12	9	86668-001 VALVE-LOA-6-D (BREAKDOWN FIG. 2-37)	1
2-12	10	57940-699 HOSE-3/8X7 6FSJICST 3000 PSI	1
2-12	11	57940-163 HOSE-3/8X8 6FS JIC (100R2)	1
2-12	12	351-034 BOLT-5/16-18X3 1/2 HEXHD GR.5	2

ROTATION MOTOR ASSEMBLY

Figure 2-13



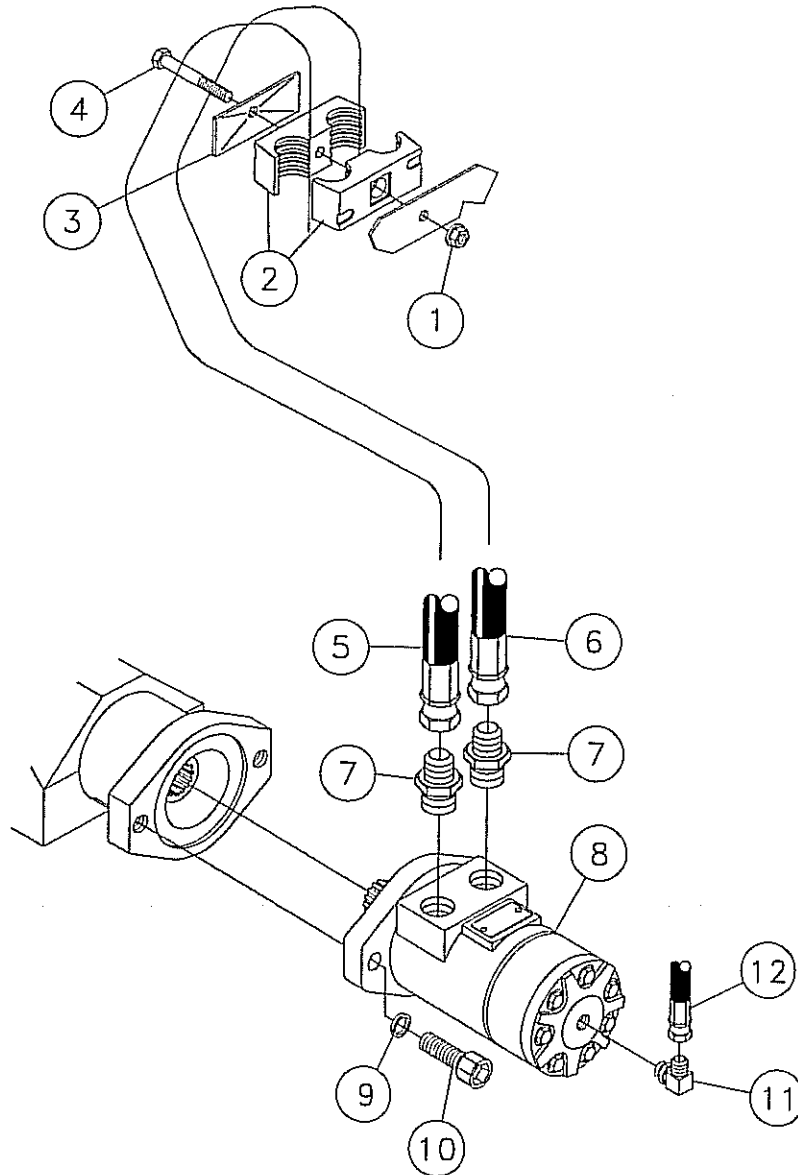
REF. NO.	PART NO.	DESCRIPTION	QTY.
2-13	1	224591-001 MOTOR ASSEMBLY-HYD. (D6) (BREAKDOWN FIG. 2-32)	1
2-13	2	127718-012 CAPSCREW-1/2-20X1 1/4 SOC. HD.	2
2-13	3	56725-001 FITTING-10MX10M JIC 45 DEG.	2
2-13	4	53842-493 HOSE 5/8X215 10FSJICST 3000PSI	2
2-13	5	383-012 1/2-20X1 1/4*GRADE#8 HEX BOLT	4
2-13	6	480-011 WASHER-1/2 S/T LOCK	4
2-13	7	485-011 WASHER-1/2 FLAT	4
2-13	8	215704-001 PLATE-MOTOR	1
2-13	9	1809-001 NUT-1/2 SM FLGE CENTER LOCK	1
2-13	10	483-007 WASHER-1 7/8X1 1/4X14 GA M.B.	A/R
2-13	11	4475-006 BOLT-3/8-16X3/4 FLG WHIZ	1
2-13	12	234685-001 SPRKT-D60B 14H W/1 1/4 BORE	1
2-13	13	231766-032 CHAIN-RC60-2H 32 PITCH W/C 231766-003 LINK-60-2H CONNECTOR 231766-005 LINK-60-2H ROLLER	1
2-13	14	218253-001 HKEY-5/16X5/16-2.00	1
2-13	15	901406-001 BRAKE SLUG	1
2-13	16	236275-001 SPACER-DRIVE HEAD SPROCKET	1

- 206362-001

g05.

WATER PUMP MOTOR ASSEMBLY

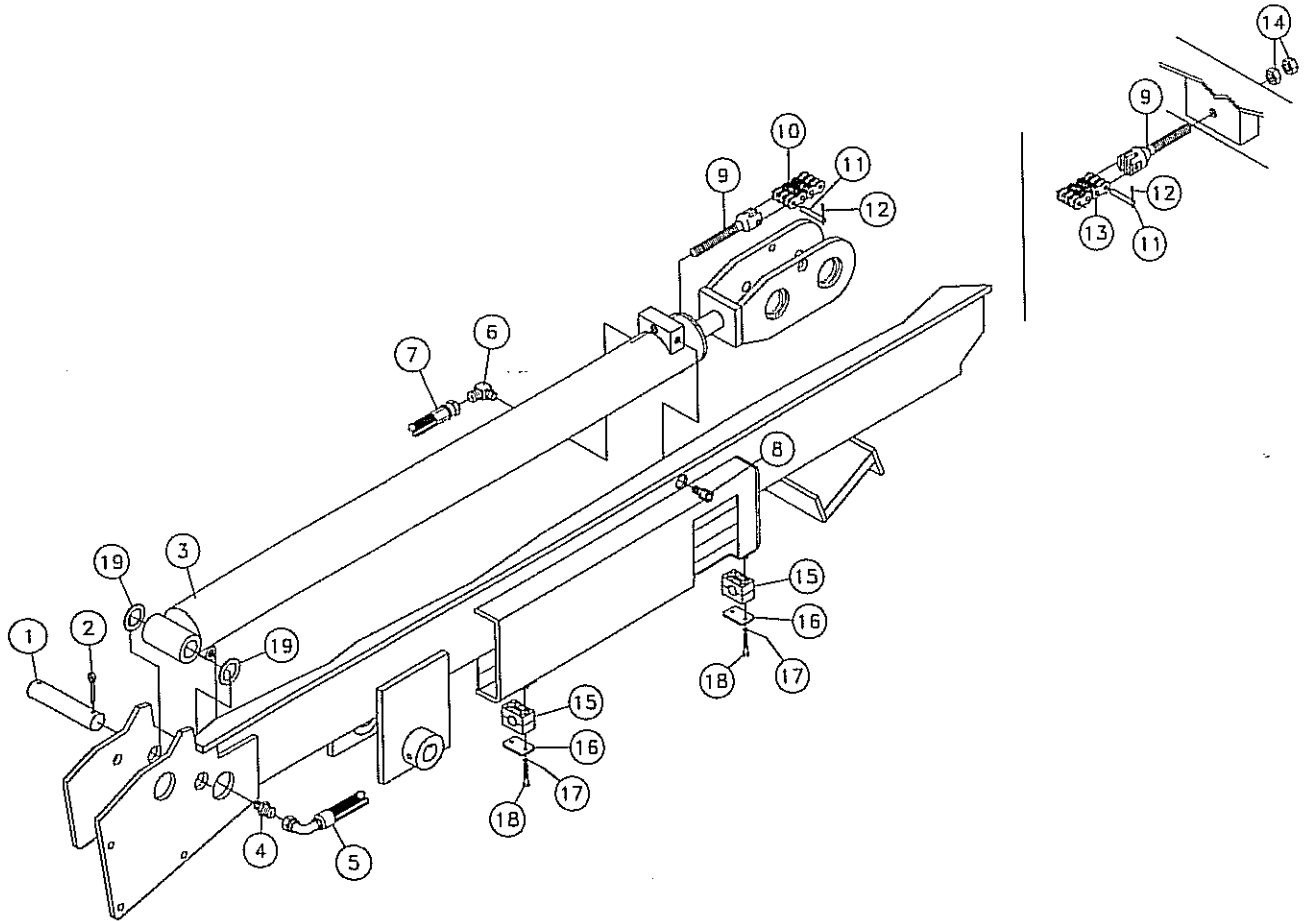
Figure 2-14



<u>REF. NO.</u>	<u>PART NO.</u>	<u>DESCRIPTION</u>	<u>QTY.</u>
2-14	1	1809-007 NUT - 5/16-18 SM.FLGE.T.L.	1
2-14	2	96716-003 CLAMP-1"DIA.HOLES TWIN (PAIR)	1
2-14	3	67846-003 PLATE-TWIN COVER	1
2-14	4	351-022 BOLT-5/16-18X2 1/4"GRADE#5 HEX	1
2-14	5	53844-661 HOSE 1/2X68 8FSJICST/90D 3000#	1
2-14	6	53844-065 HOSE-1/2X68 8FS JIC (100R2)	1
2-14	7	53826-001 #10M O-RING-#8M JIC ST.	2
2-14	8	234678-001 MOTOR-R SERIES 6.2 CID (BREAKDOWN FIG. 2-33)	1
2-14	9	480-011 WASHER-1/2 S/T LOCK	2
2-14	10	514-014 1/2-13X1 1/2' SOCKET HEAD BOLT	2
2-14	11	59423-001 FIT-4M JICX4M ADJ.90 DEG.ELBOW	1
2-14	12	53843-241 HOSE-1/4X34 4FS JIC 3000 PSI	1

THRUST/PULLBACK CYLINDER ASSEMBLY

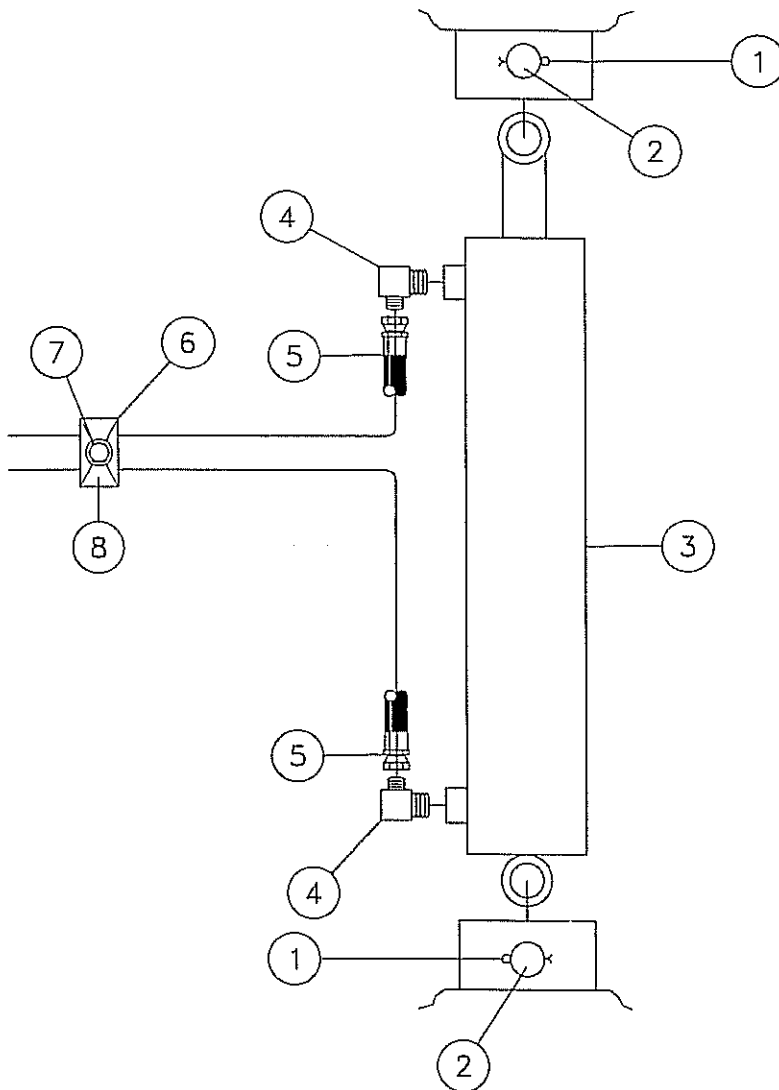
Figure 2-15



REF. NO.	PART NO.	DESCRIPTION	QTY.
2-15	1	54198-001 PIN-1 1/4X4 13/16" U.L.	1
2-15	2	510-025 COTTER PIN-3/16" X 2"	2
2-15	3	236105-001 CYLINDER -3X42 (BREAKDOWN FIG. 2-36)	1
2-15	4	86235-001 6M ORING X 8M JIC STR.	1
2-15	5	53844-663 HOSE 1/2X86 8FSJICST/90D 3000#	1
2-15	6	77811-001 FITTING-6MX8M JIC 90 DEG.	1
2-15	7	53844-177 HOSE-1/2X80 8FS JIC 3500 PSI	1
2-15	8	514-006 BOLT-1/2-13 X 3/4" SOCKET HEAD	2
2-15	9	217249-001 ANCHOR-CHAIN	2
2-15	10	218252-223 CHAIN-BL666 223 PITCHES	1 - 579.000
		219101-001 LINK-BL666 CONNECTOR	0
2-15	11	215990-001 PIN-BL634 CHAIN .31 DIA.-1.72	2
2-15	12	510-045 PIN 1/16 X 1/2 COTTER	4
2-15	13	218252-147 CHAIN-BL666 LEAF 147 PITCHES	1 - 381.60
		219101-001 LINK-BL666 CONNECTOR	0
2-15	14	75385-001 NUT-5/8-UNC GR.8 HEX	2
2-15	15	901678-005 CLAMP-HOSE 30840-PP	4
2-15	16	901678-007 PLATE-COVER COP-3	2
2-15	17	480-003 WASHER-1/4 S/T LOCK	4
2-15	18	350-014 BOLT-1/4-20X1 1/2'GRADE#5 HEX	4
2-15	19	483-007 WASHER-1 7/8X1 1/4X14 GA M.B.	2

TRACK EXTENSION CYLINDER ASSEMBLY

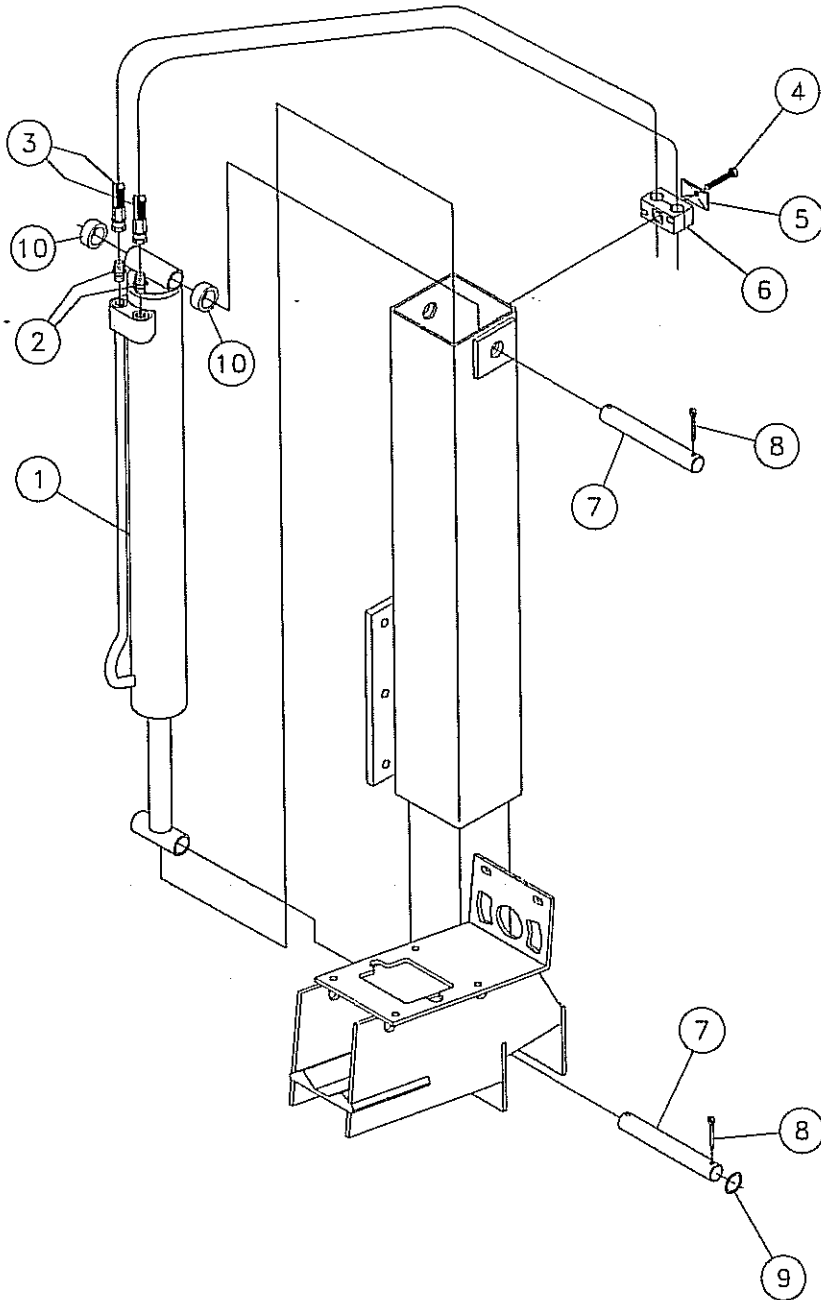
Figure 2-16



REF. NO.	PART NO.	DESCRIPTION	QTY.
2-16	1	510-019 COTTER PIN-5/32" X 2"	4
2-16	2	211232-001 PIN-CYLINDER	2
2-16	3	215768-001 68539 CYLINDER-3X14 (BREAKDOWN FIG. 2-35)	1
2-16	4	60722-001 3/8MX4M JIC 90 DEG.ELBOW	2
2-16	5	53843-231 HOSE-1/4X66 4FS JIC 3000 PSI	2
2-16	6	900036-001 DOUBLE HOSE CLAMP 1/2	1
2-16	7	351-030 5/16-18X3"GRADE #5 HEX BOLT	1
2-16	8	96716-001 HOSE HOLDER-1"DOUBLE	1

OUTRIGGER CYLINDER ASSEMBLY

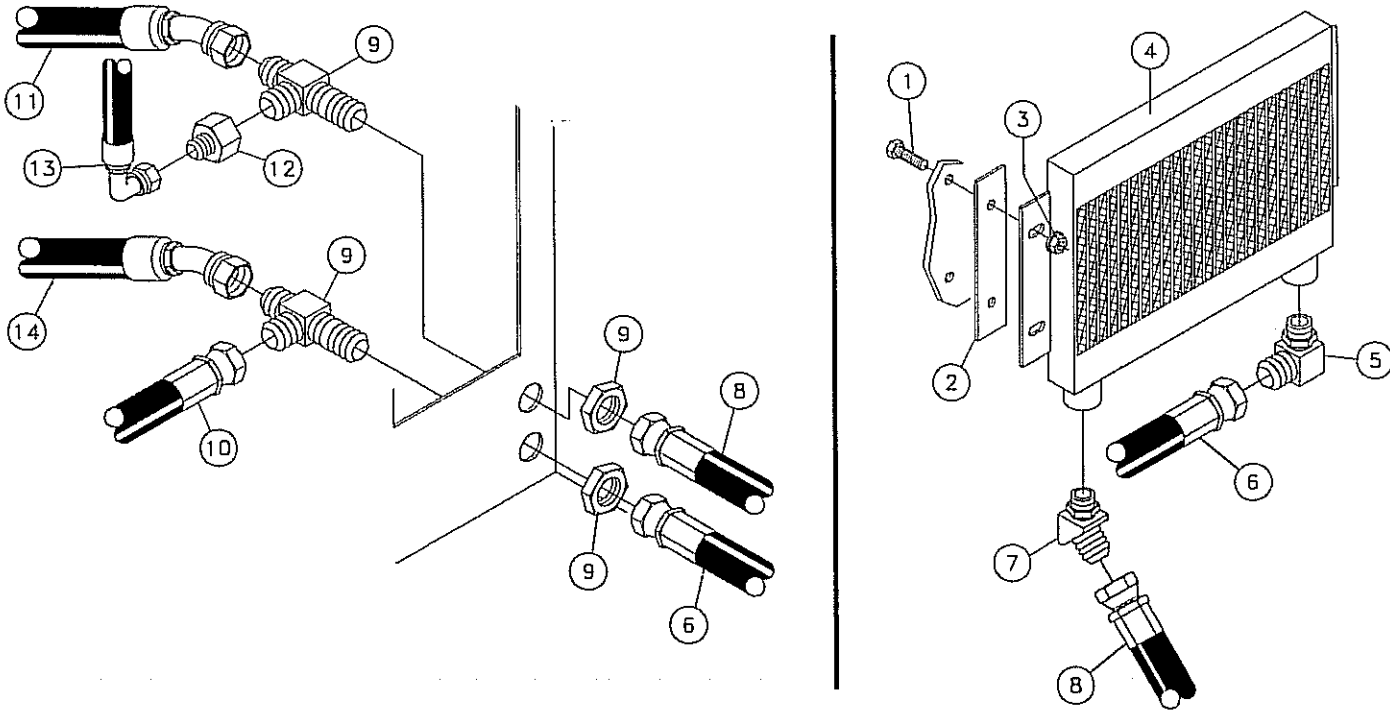
Figure 2-17



REF. NO.	PART NO.	DESCRIPTION	QTY.
2-17	1	236113-001 CYLINDER-3 X 24 (BREAKDOWN FIG. 2-34)	1
2-17	2	65565-001 FITTING-6M X 6M JIC ST.	2
2-17	3	57940-467 HOSE-3/8X60 6FS JIC 3000 PSI	2
2-17	4	351-012 BOLT-5/16"-18X1 1/4"GR5 HEX	1
2-17	5	67846-003 PLATE-TWIN COVER	1
2-17	6	900035-005 CLAMP-3/8"DOUBLE HOSE	1
2-17	7	55617-001 PIN-CYLINDER	2
2-17	8	510-023 COTTER PIN-3/16" X 1 3/4"	4
2-17	9	483-005 WASHER-1 1/2X1X14 GA M.B.	2
2-17	10	1095-033 TUBE	2

OIL COOLER ASSEMBLY

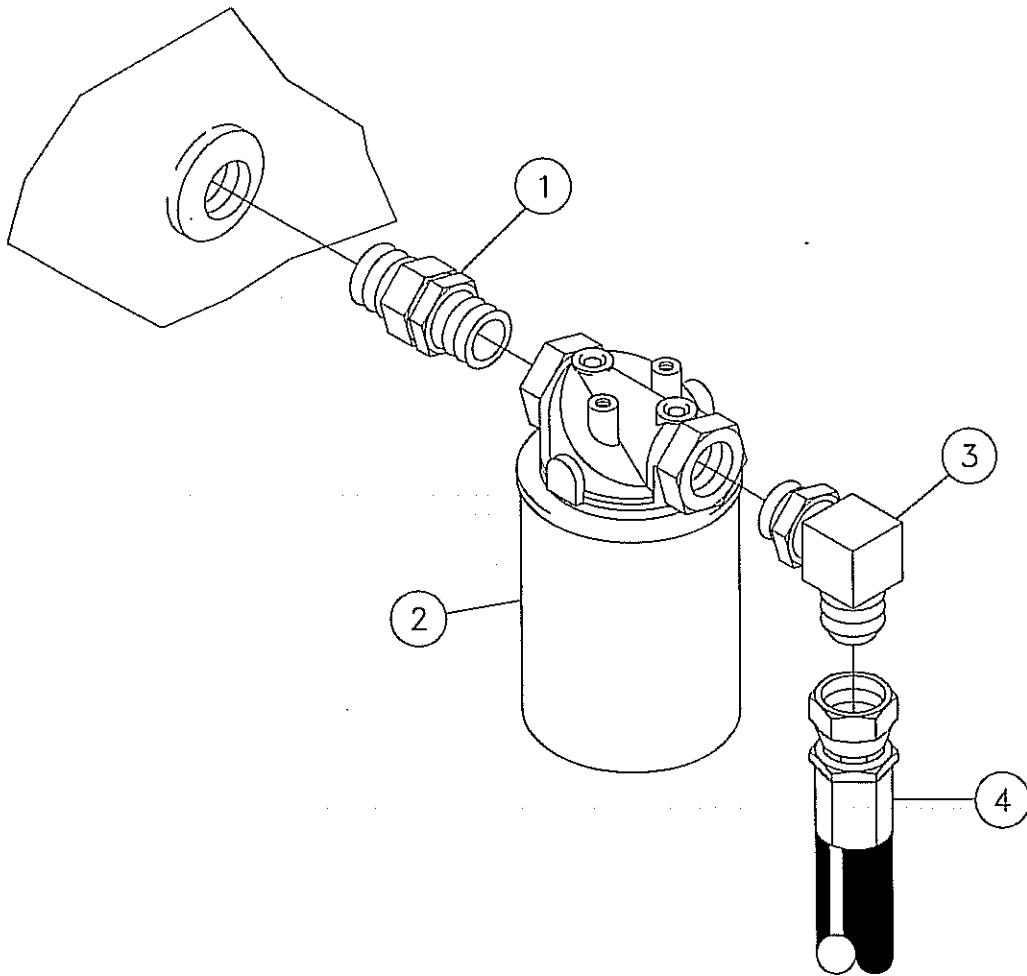
Figure 2-18



REF. NO.	PART NO.	DESCRIPTION	QTY.
2-18	1	354-012 BOLT-3/8 - 16X 1 1/4" GR5 HEX	4
2-18	2	229339-001 RUBBER- COOLER MOUNT	2
2-18	3	4536-001 NUT - 3/8-16 FLG. WHIZ LOCK	4
2-18	4	227242-001 OIL COOLER	1
2-18	5	53871-001 #10M O-RING X 12M JIC 90	1
2-18	6	53845-053 HOSE-3/4X62 12FS JIC (100R2)	1
2-18	7	67552-001 10MX12M JIC 45 DEG.	1
2-18	8	53845-317 HOSE-3/4X53 12FS JIC SAE-100R1	1
2-18	9	96075-001 FITTING-12MJIC BLKHD RUN TEE	2
2-18	10	53845-803 HOSE 3/4X101 12FSJICST/90D3000	1
2-18	11	53845-549 HOSE-3/4X36 12FS JIC 3000 PSI	2
2-18	12	59421-001 12F JICX8M JIC ST REDUCER	1
2-18	13	53844-655 HOSE 1/2X27 8FSJICST/90D 3000#	1
2-18	14	53845-805 HOSE-3/4X28.5 12FSJICST/452250	1

OIL FILTER ASSEMBLY

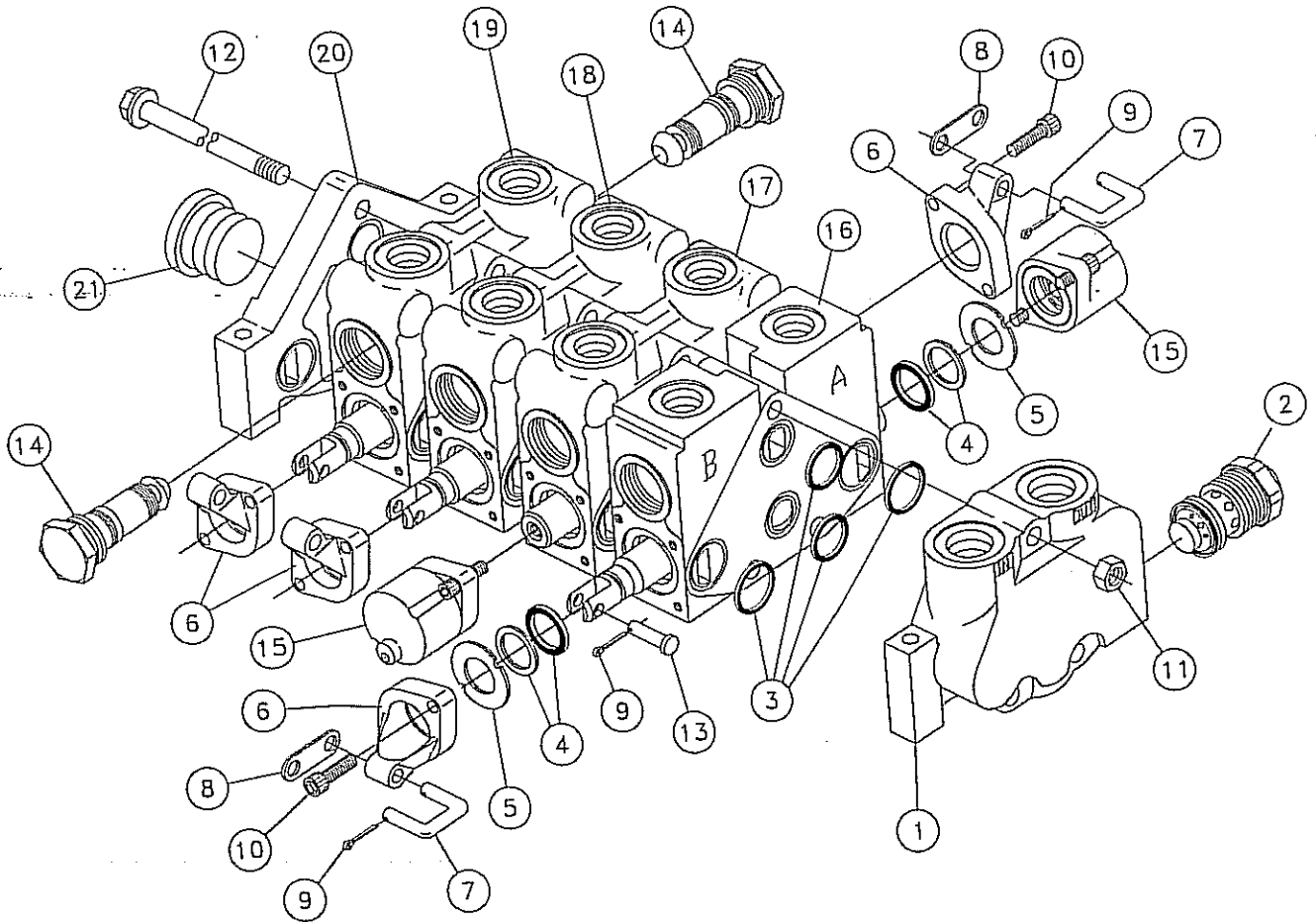
Figure 2-19



REF. NO.	PART NO.	DESCRIPTION	QTY.
2-19	1	712-001 12 M HEX NIPPLE	1
2-19	2	900034-001 FILTER ASSY. (INC. ELEMENT)	1
		2683-001 ELEMENT	1
2-19	3	59409-001 10M JICX12M ADJ. 90 DEG. ELBOW	1
2-19	4	53845-549 HOSE-3/4X36 12FS JIC 3000 PSI	1

CONTROL VALVE COMPONENTS

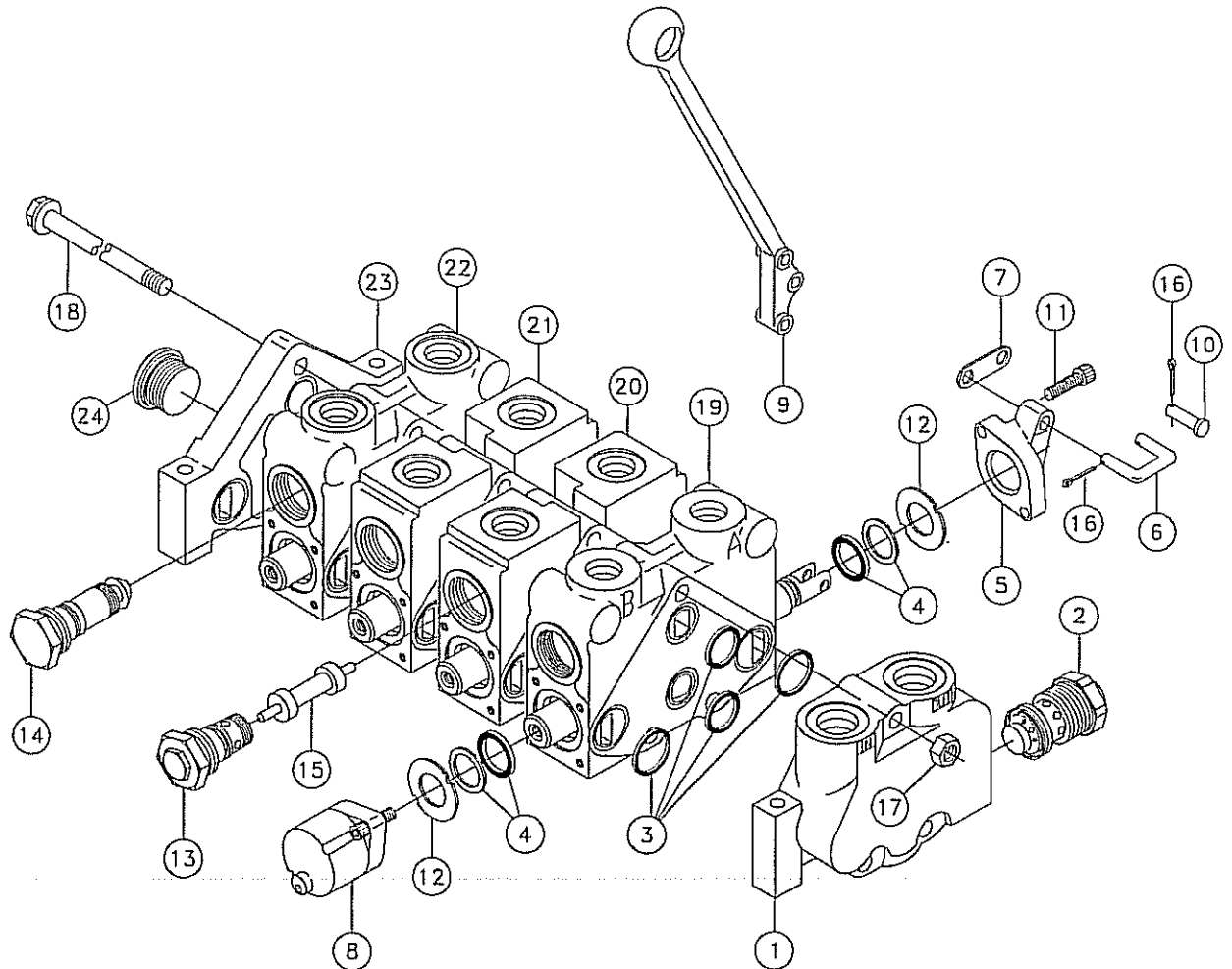
Figure 2-20



REF. NO.	PART NO.	DESCRIPTION	QTY.	REF. NO.	PART NO.	DESCRIPTION	QTY.	
2-20	1	102975-001	1	2-20	16	219120-003	SECTION-VALVE (INC. ONE OF REF. 3, 4, 6, 7, 13, 15, TWO OF REF. 5, 10 & THREE OF REF. 9)	1
2-20	2	901057-003	1	2-20	17	219120-005	SECTION-VALVE (INC. ONE OF REF. 3, 4, 6, 7, 13, 15, TWO OF REF. 5, 10 & THREE OF REF. 9)	1
2-20	3	89275-009	5	2-20	18	219120-007	SECTION-VALVE (INC. ONE OF REF. 3, 4, 6, 7, 13, 15, TWO OF REF. 5, 10 & THREE OF OREF. 9)	1
2-20	4	3147-077	8	2-20	19	219120-009	SECTION-VALVE (INC. ONE OF REF. 3, 4, 6, 7, 13, 15, TWO OF REF. 5, 10 & THREE OF REF. 9)	1
2-20	5	3147-081	8	2-20	20	219120-011	RIGHT COVER PLATE (INC. REF. 3 & 21)	1
2-20	6	3147-029	4	2-20	21	98108-011	PLUG-1 15/16-12 UNF SOCKHHD	1
2-20	7	4333-003	4			219120-001	VALVE-V20 4 SECTION (INC. REF. 1-21)	
2-20	8	4333-005	4					
2-20	9	510-035	12					
2-20	10	79704-001	8					
2-20	11	446-001	3					
2-20	12	14173-003	1					
2-20	13	2110-003	4					
2-20	14	3147-035	8					
2-20	15	6149-005	4					

CONTROL VALVE COMPONENTS

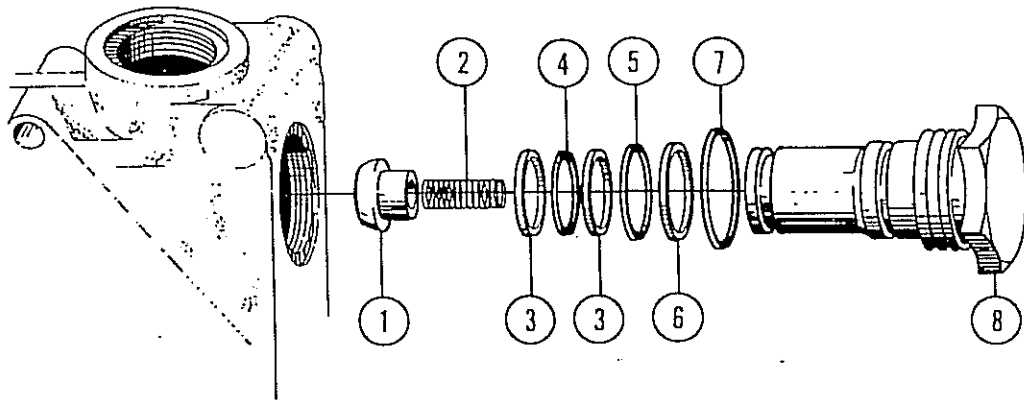
Figure 2-21



REF. NO.	PART NO.	DESCRIPTION	QTY.	REF. NO.	PART NO.	DESCRIPTION	QTY.
2-21	1	102975-001	1	2-21	16	510-035	PIN-3/32 X 1/2 COTTER
2-21	2	901057-003	1	2-21	17	446-001	NUT-3/8 NF HEX
		WH MAIN RELEIF (3000PSI) (BREAKDOWN FIG. 2-24)		2-21	18	14173-003	STUD KIT-4 SECT. (INC. REF. 17)
2-21	3	89275-009	5	2-21	19	229251-003	SECTION-PARALLEL (INC. ONE OF REF. 3-10, TWO OF REF. 11, 12, 14 & THREE OF REF. 16)
2-21	4	3147-077	4	2-21	20	229251-005	SECTION-PARALLEL (INC. ONE OF REF. 1-10, 15, TWO OF REF. 11-13 & THREE OF REF. 16)
2-21	5	3147-029	4	2-21	21	229251-007	SECTION-SERIES (INC. ONE OF REF. 3-10, TWO OF REF. 11, 12, 14 & THREE OF REF. 16)
2-21	6	4333-003	4	2-21	22	229251-009	SECTION-TANDEM (INC. ONE OF REF. 3-10, TWO OF REF. 11, 12, 14 & THREE OF REF. 16)
2-21	7	4333-005	4	2-21	23	219120-011	RIGHT COVER PLATE (INC. REF. 3 & 24)
2-21	8	6149-005	4	2-21	24	98108-011	PLUG-1 15/16-12 UNF SOCKHD
		POSITIONER-STD. (BREAKDOWN FIG. 2-23)				229251-001	VALVE-V20 4 SECTION (INC. REF. 1-24)
2-21	9	3147-039	4				
2-21	10	2110-003	4				
2-21	11	79704-001	8				
2-21	12	3147-081	8				
2-21	13	3175-003	2				
		PILOT CHECK-CP LO (BREAKDOWN FIG. 2-25)					
2-21	14	3147-035	6				
		PLUG-LOAD CHECK STEEL (BREAKDOWN FIG. 2-22)					
2-21	15	6149-059	1				
		PISTON-UNLOCKING					

LOAD CHECK PLUG COMPONENTS

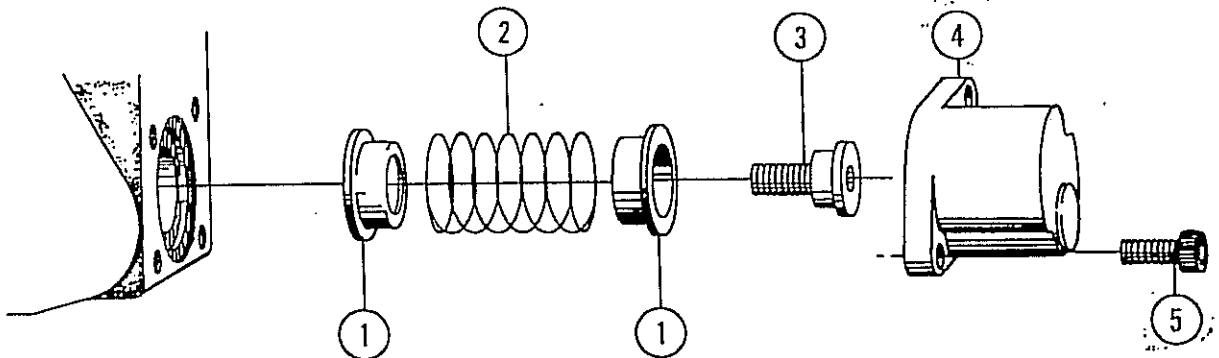
Figure 2-22



REF. NO.	PART NO.	DESCRIPTION	QTY.	REF. NO.	PART NO.	DESCRIPTION	QTY.
2-22	1	3128-009 POPPET-CHECK	1	2-22	7	NSS O-RING	1
2-22	2	3147-041 SPRING-CHECK	1	2-22	8	3147-043 PLUG-LIFT CHECK	1
2-22	3	NSS WASHER-BACKUP (INNER)	2				
2-22	4	NSS O-RING	1				
2-22	5	NSS O-RING (OUTER)	1			3147-035 PLUG-LOAD CHECK STEEL (INC. REF. 1-8)	
2-22	6	NSS WASHER-BACKUP (OUTER)	1			3147-037 REPAIR KIT (INC. REF. 3-7)	

STANDARD SPOOL POSITIONER COMPONENTS

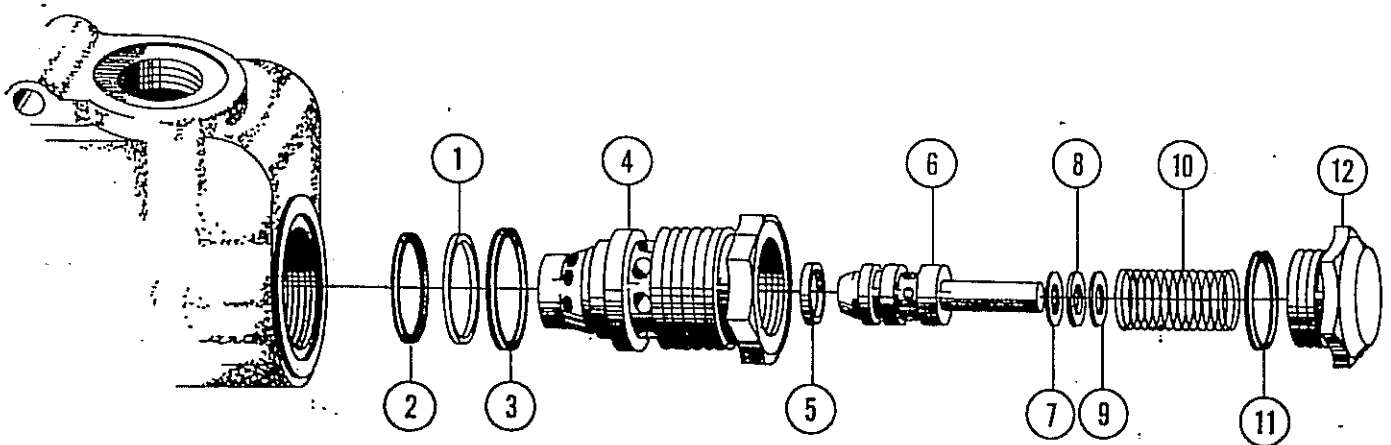
Figure 2-23



REF. NO.	PART NO.	DESCRIPTION	QTY.	REF. NO.	PART NO.	DESCRIPTION	QTY.
2-23	1	3149-005 COLLAR-SPRING	2	2-23	4	6149-043 BONNET	1
2-23	2	6149-057 SPRING-RETURN	1	2-23	5	79704-001 SCREW-1/4-20X7/8 SOC HD SELFLK	2
2-23	3	3149-013 COLLAR-SPOOL	1			6149-005 POSITIONER-STD. (INC. REF. 1-7)	

WH MAIN RELIEF COMPONENTS

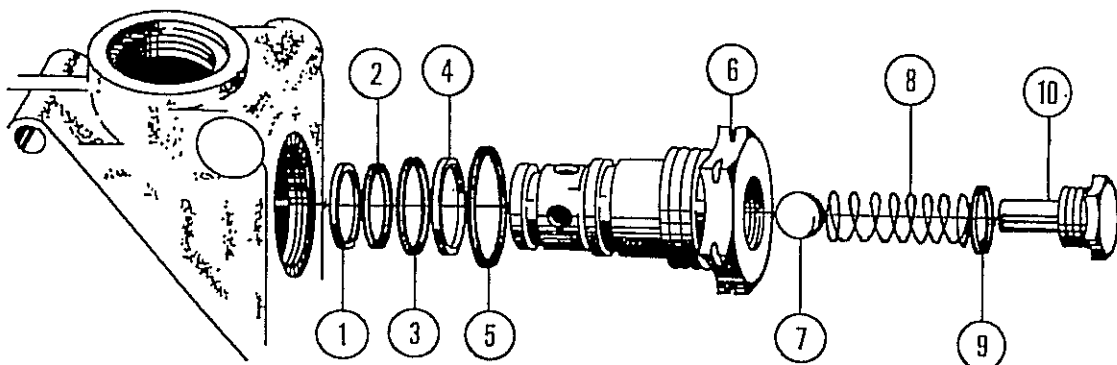
Figure 2-24



REF. NO.	PART NO.	DESCRIPTION	QTY.	REF. NO.	PART NO.	DESCRIPTION	QTY.
2-24	1	NSS RING-BACKUP	1	2-24	9	208-015 SHIM - .040	A/R
2-24	2	NSS SEAL-O-RING	1	2-24	10	86323-005 SPRING-SS 2000-3000 PSI	1
2-24	3	NSS SEAL-O-RING	1	2-24	11	NSS SEAL-O-RING	1
2-24	4	15844-009 BODY-WH RELIEF	1	2-24	12	3147-027 CAP	1
2-24	5	NSS RING-PISTON	1				
2-24	6	NSS POPPET	1			3147-011 SERVICE KIT (INC. REF. 5 & 6)	
2-24	7	208-019 SHIM - .010	A/R			15844-007 REPAIR KIT (INC. REF. 1, 3 & 11)	
2-24	8	208-017 SHIM - .020	A/R			901057-003 WH MAIN RELIEF (3000PSI) (INC. REF. 1-12)	

LO (LOCKOUT) PILOT CHECK COMPONENTS

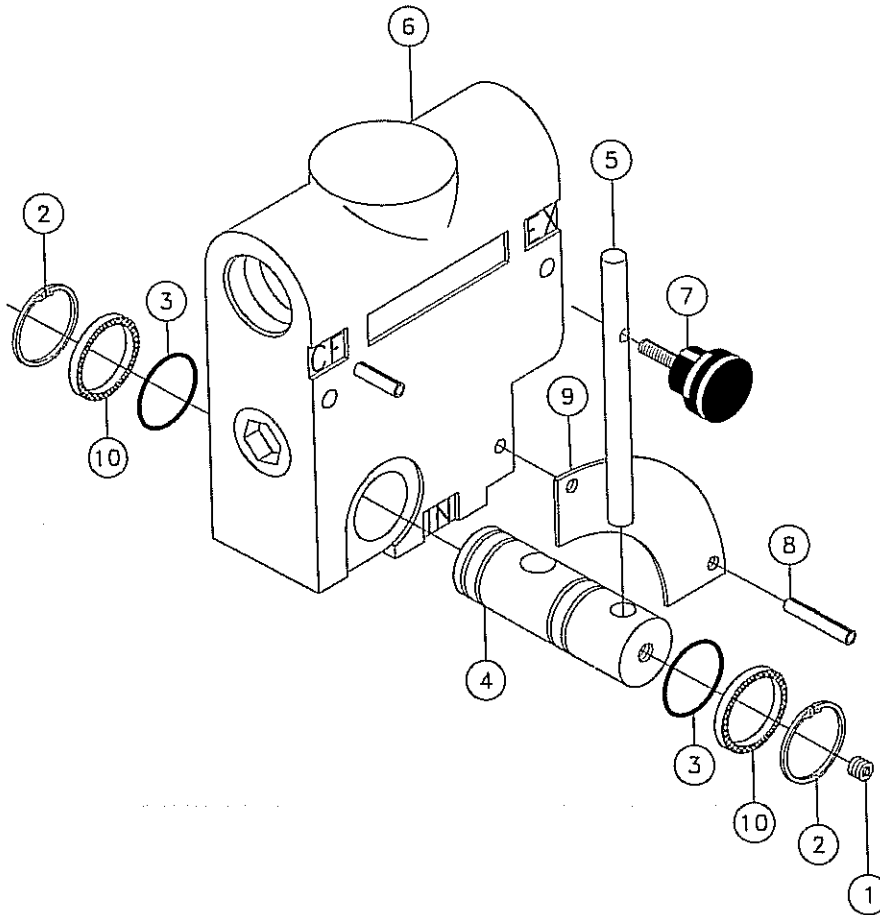
Figure 2-25



REF. NO.	PART NO.	DESCRIPTION	QTY.	REF. NO.	PART NO.	DESCRIPTION	QTY.
2-25	1	NSS WASHER-BACKUP	1	2-25	8	3175-023 SPRING-	1
2-25	2	NSS O-RING	1	2-25	9	NSS O-RING	1
2-25	3	NSS O-RING	1	2-25	10	3175-013 CAP-BODY	1
2-25	4	NSS WASHERBACKUP	1				
2-25	5	NSS O-RING	1			3175-003 PILOT CHECK-CP LO (INC. REF. 1-10)	
2-25	6	3175-021 BODY-CHECK	1			3175-005 REPAIR KIT-CP LO (INC. REF. 1-5 & 9)	
2-25	7	208-023 BALL	1				

FLOW CONTROL VALVE COMPONENTS (ADJUSTABLE)

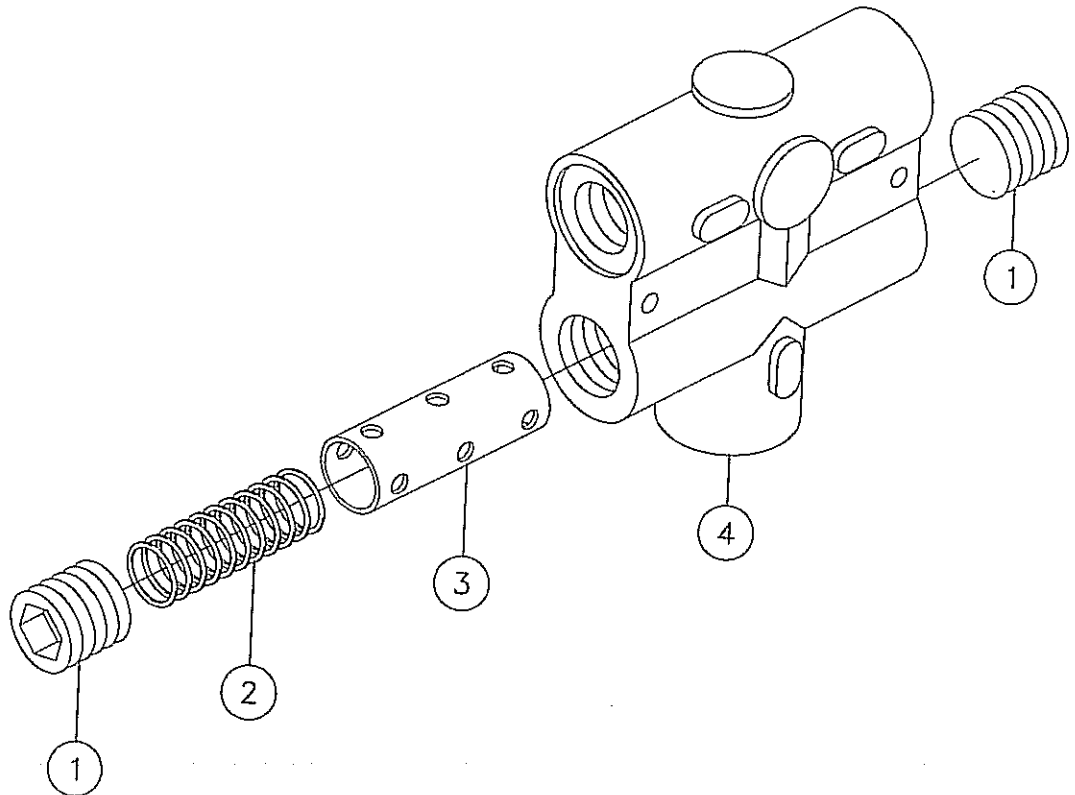
Figure 2-26



<u>REF. NO.</u>	<u>PART NO.</u>	<u>DESCRIPTION</u>	<u>QTY.</u>
2-26	1	2694-013 SCREW-ALLEN 1/4-20X1/4 AP-57	1
2-26	2	2694-005 RING-RETAINING TRUARC 5100-75	2
2-26	3	NSS O-RING	2
2-25	4	NSS SPOOL-FG-ROTARY	1
2-26	5	2694-007 HANDLE-ROTARY SPOOL B-5021	1
2-25	6	NSS BODY W/SPOOL	1
2-26	7	2694-011 KNOB-SELECTOR	1
2-26	8	51038-001 ROLL PIN-BRAND	2
2-26	9	2694-015 PLATE-DIAL	1
2-26	10	211720-003 O-RING-SQUARE CUT	2
	2694-003	REPAIR KIT-FLOW DIVIDER (INC. TWO OF REF. 3)	
	234537-001	VALVE-FLOW CONTROL (INC. REF. 1-10)	
	NSS	NOT SOLD SEPARATELY	

FLOW CONTROL VALVE COMPONENTS

Figure 2-27

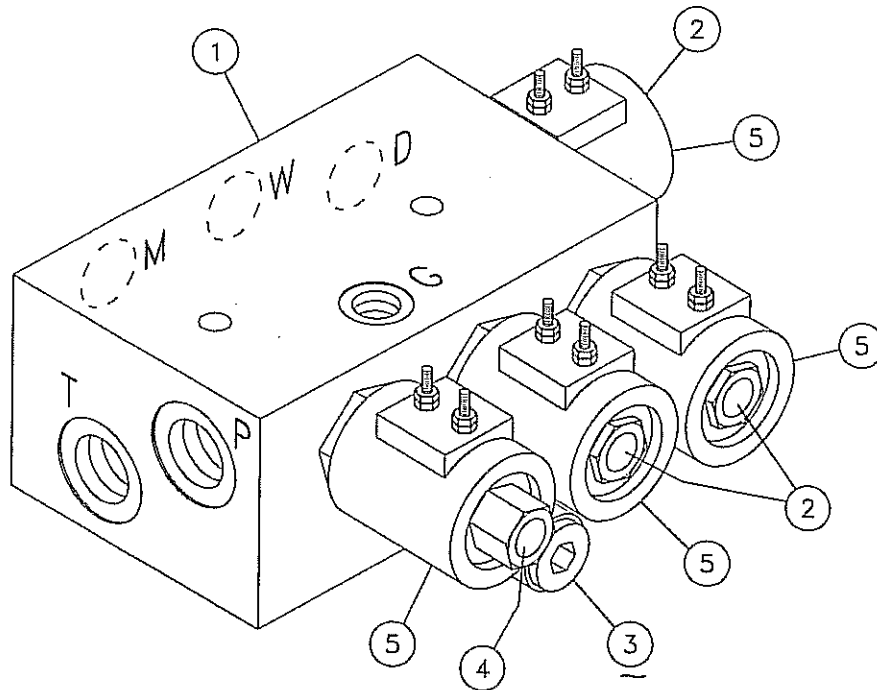


<u>REF. NO.</u>	<u>PART NO.</u>	<u>DESCRIPTION</u>	<u>QTY.</u>
2-27	1	2696-003 PLUG-3/4 NPT SCKT	2
2-27	2	2696-005 SPRING-METERING	1
2-27	3	NSS SPOOL-METERING (NON-ADJUSTABLE)	1
2-27	4	NSS BODY-CASTING	1
	229326-001	VALVE-FLOW DIVIDER (10 GPM) (INC. REF. 1-4)	
	NSS	NOT SOLD SEPARATELY	

NOTE: HOUSING AND SPOOLS ARE MATCHED ITEMS AND ARE NOT INTERCHANGEABLE OR SOLD SEPARATELY.

SOLENOID VALVE COMPONENTS

Figure 2-28

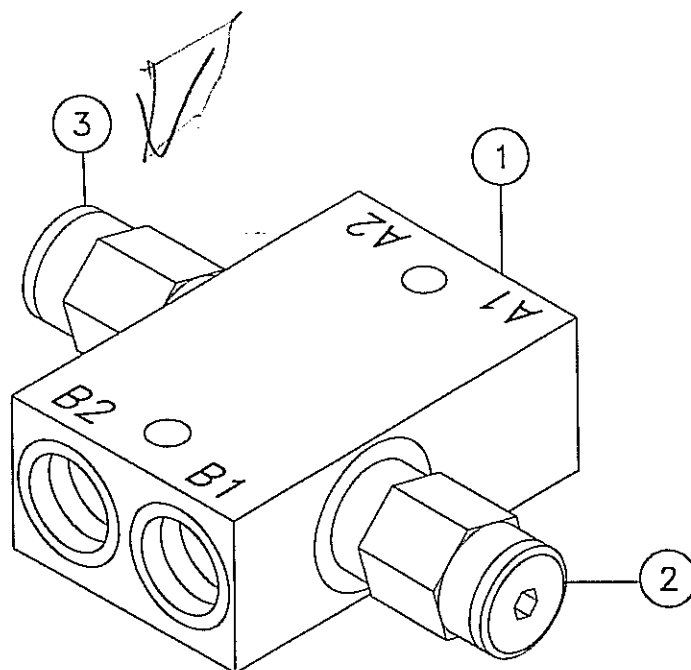


<u>REF. NO.</u>	<u>PART NO.</u>	<u>DESCRIPTION</u>	<u>QTY.</u>
2-28	1	235675-005 BLOCK-VALVE	1
2-28	2	227246-005 CARTRIDGE-SOLENOID (LESS COIL)	3
		227246-007 SEAL KIT-SOLENOID	
2-28	3	235675-007 CARTRIDGE-RELIEF - 2.	1
		227246-011 SEAL KIT-RELIEF	
2-28	4	227246-013 CARTRIDGE-SOLENOID	1
		227246-007 SEAL KIT-SOLENOID	
2-28	5	904525-003 COIL-12V	4
		235675-001 VALVE-SOLENOID (INC. REF. 1-5)	

904525-003

CROSSOVER RELIEF VALVE COMPONENTS

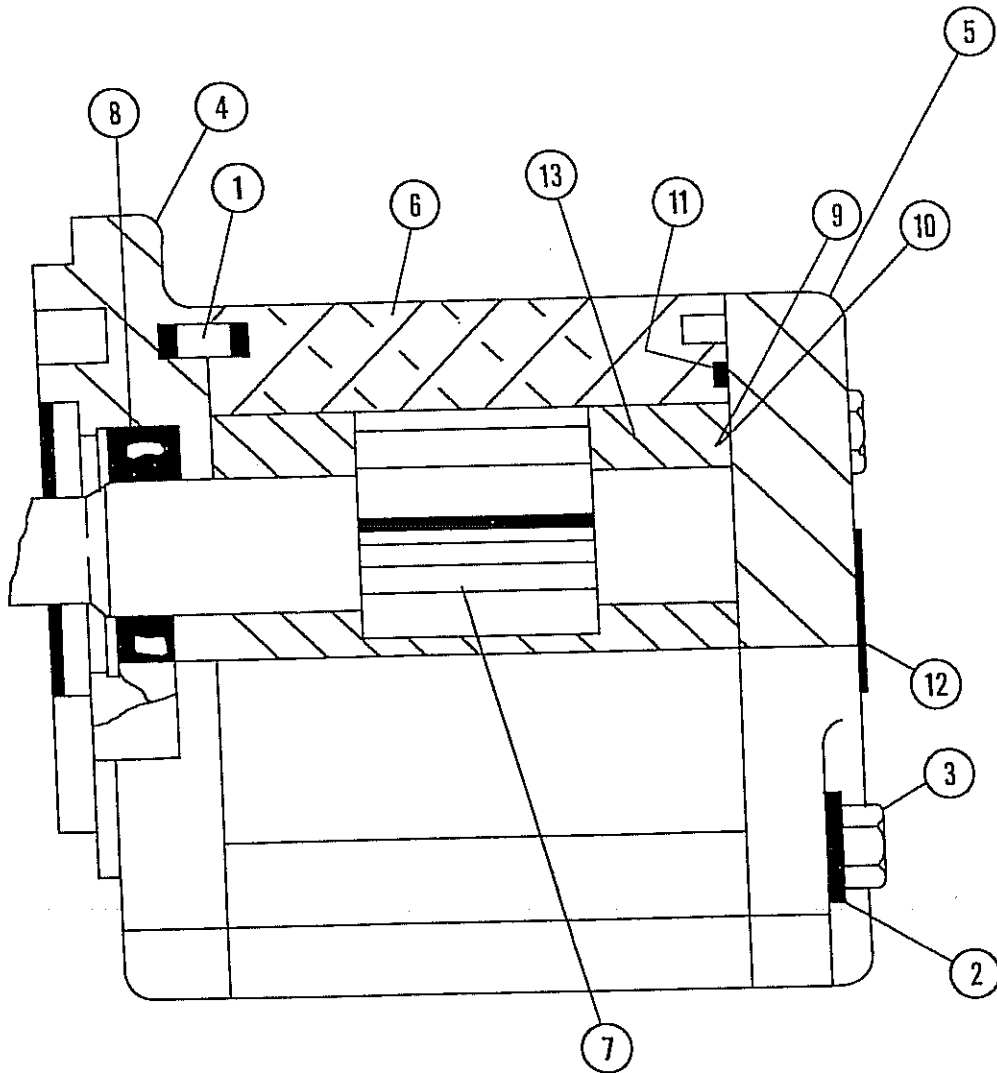
Figure 2-29



<u>REF. NO.</u>	<u>PART NO.</u>	<u>DESCRIPTION</u>	<u>QTY.</u>
2-29	1	227247-003 BODY	1
2-29	2	227247-005 VALVE-RELIEF (2750 PSI)	1
		227247-007 REPAIR KIT (EXTERNAL O-RINGS & BACK-UP WASHERS)	1
2-29	3	227247-009 VALVE-RELIEF 2100 PSI	1
		227247-007 REPAIR KIT (EXTERNAL O-RINGS & BACK-UP WASHERS)	1
		227247-001 VALVE-RELIEF 2100/2750 PSI (INC. REF. 1-3)	

HYDRAULIC PUMP COMPONENTS

Figure 2-30

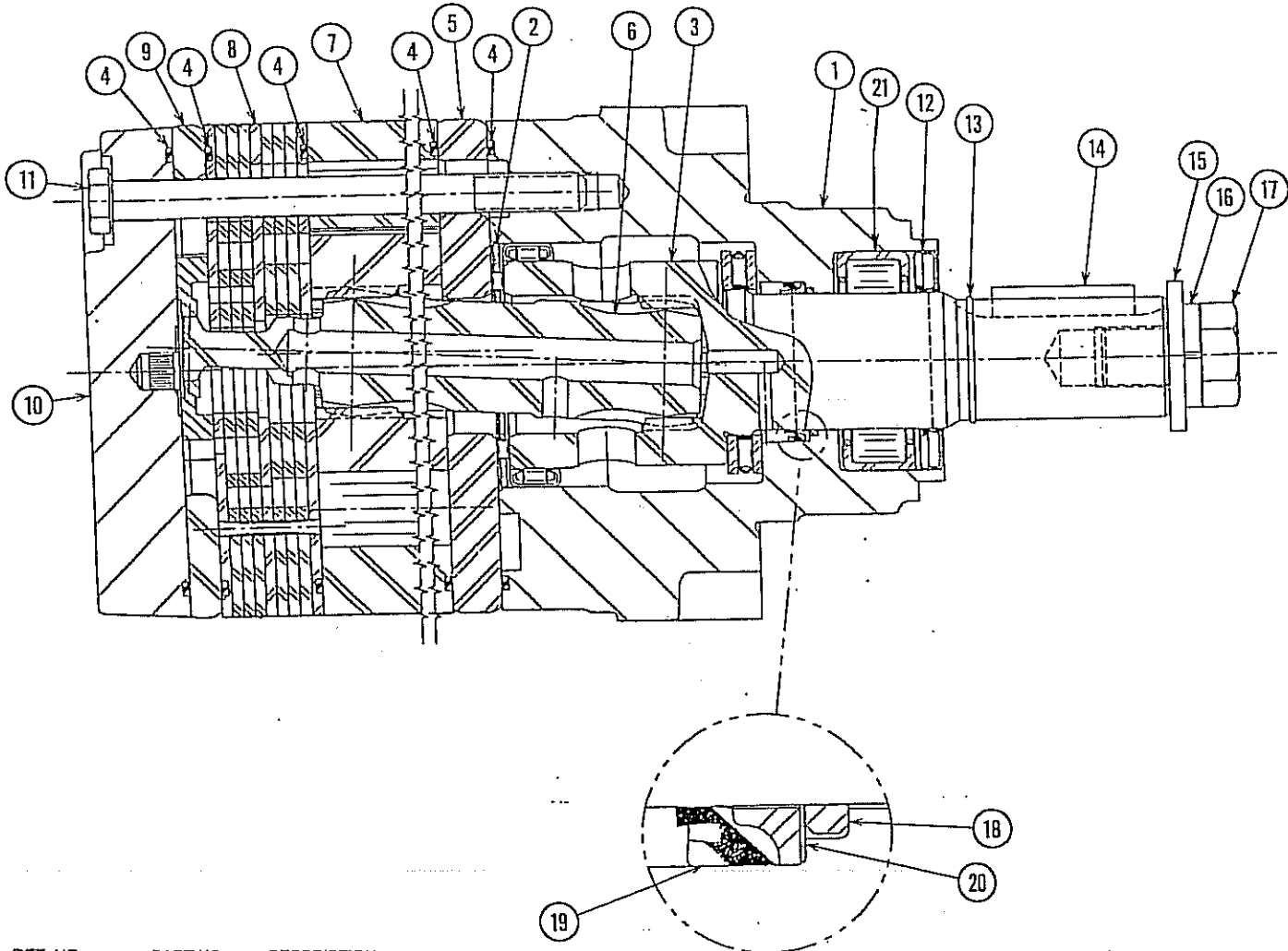


<u>REF. NO.</u>	<u>PART NO.</u>	<u>DESCRIPTION</u>	<u>QTY.</u>
2-30	1	227238-003 PIN-DOWEL	2
2-30	2	227238-005 WASHER	4
2-30	3	227238-007 CAPSCREW	4
2-30	4	227238-009 HOUSING-SEC	1
2-30	5	227238-011 HOUSING-PEC	1
2-30	6	227238-013 HOUSING-GEAR	1
2-30	7	227238-015 GEARSHAFT SET	1
2-30	8	227238-017 LIP SEAL	1
2-30	9	227238-019 SEAL-BACKUP	2
2-30	10	227238-021 SEAL-CHAN.	2
2-30	11	227238-023 SEAL-SECTION	2
2-30	12	227238-025 SCREW-DRIVE	2
2-30	13	227238-027 THRBLK/BSHG	2
	227238-001	PUMP-HYD (INC REF. 1-13)	
	227238-029	SEAL KIT (INC. REF. 1, 8, 9, 10, 11, 12, & 13)	

HYDRAULIC MOTOR COMPONENTS

Figure 2-31

Track drive motor



REF. NO.	PART NO.	DESCRIPTION	QTY.
2-31	1	213890-007 HOUSING ASSEMBLY	1
2-31	2	88759-021 BEARING-THRUST	1
2-31	3	93297-017 SHAFT - COUPLING	1
2-31	4	+88759-009 RING-SEAL	5
2-31	5	93297-013 PLATE - WEAR	1
2-31	6	213890-009 LINK-DRIVE	1
2-31	7	213890-011 ROTOR SET	1
2-31	8	93297-009 MANIFOLD	1
2-31	9	93297-007 COMMUTATOR ASSEMBLY	1
		1768-013 BONDED RING-032435	1
2-31	10	93297-005 COVER END	1
2-31	11	213890-013 BOLT	7
2-31	12	88759-041 SEAL-DIRT & WATER	1
2-31	13	213890-015 RING-RETAINING	1
2-31	14	88759-025 KEY-5/16X5/16X1 1/2	1
2-31	15	213890-003 WASHER	1
2-31	16	460-015 WASHER-5/8 S/T LOCK	1
2-31	17	213890-005 BOLT-5/8-18 X 1.00 HEX	1
2-31	18	88759-035 WASHER-BACKUP	1
2-31	19	88759-033 SEAL-INNER	1
2-31	20	213890-017 WASHER-BACK UP	1

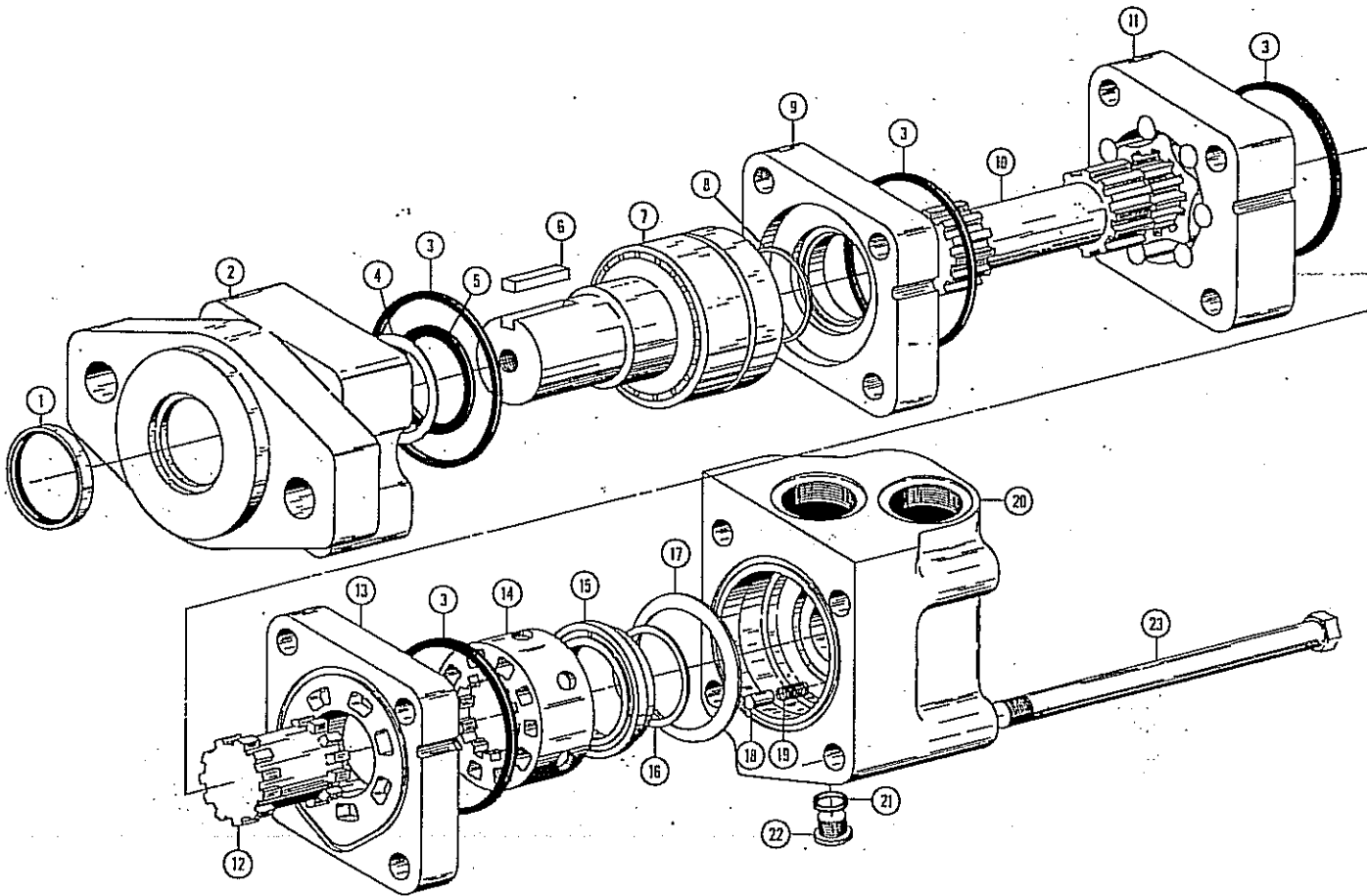
213890-001 MOTOR-HYD (INC. REF. 1-20)
 88759-003 SEAL KIT (INC. ITEMS MARKED WITH +)

92700 453610

HYDRAULIC MOTOR COMPONENTS

Figure 2-32

Rotation indicator



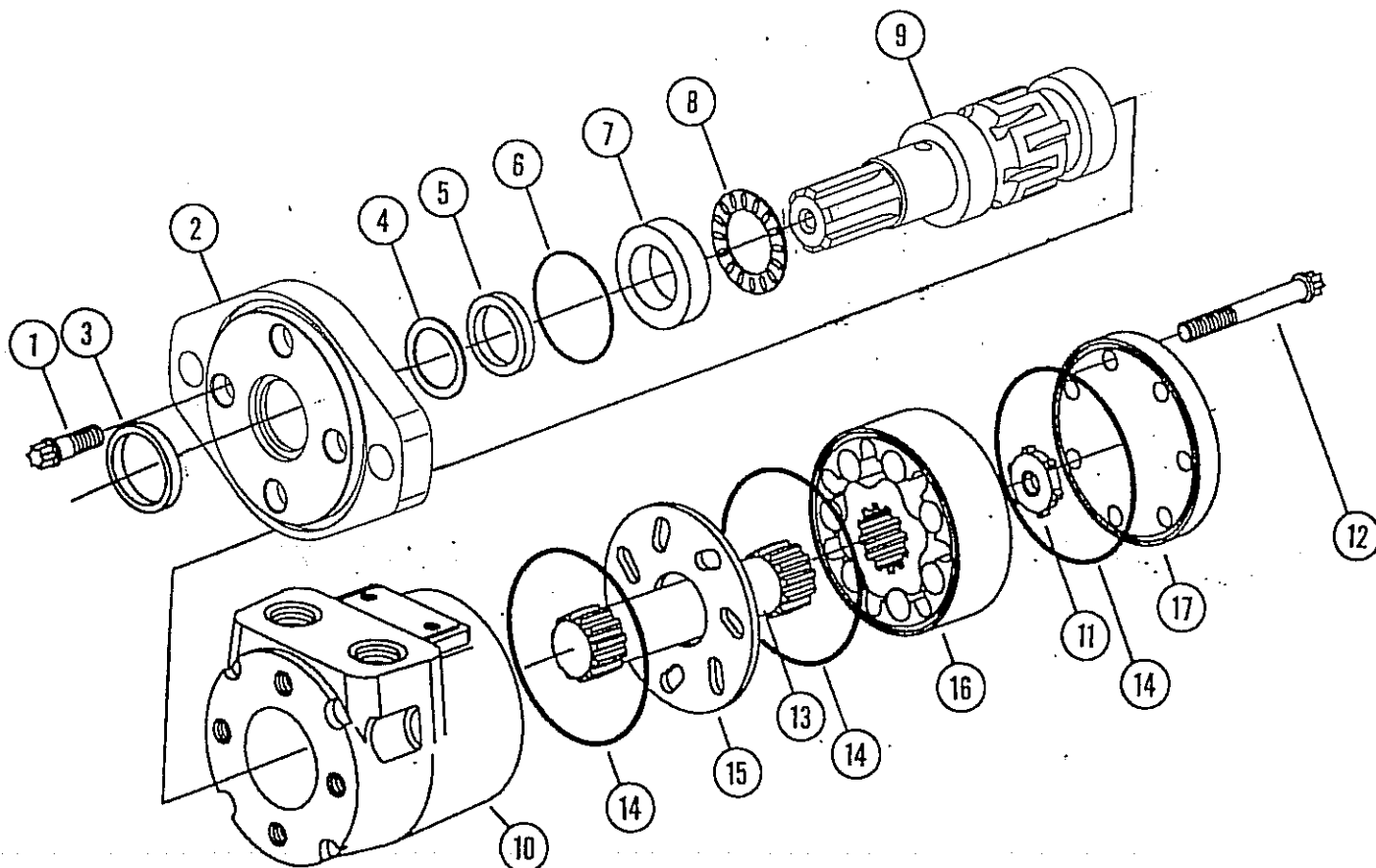
REF. NO.	PART NO.	DESCRIPTION	QTY.	REF. NO.	PART NO.	DESCRIPTION	QTY.
2-32	1	770-071 SEAL-DUST	1	2-32	17	770-091 SEAL-FACE, OUTER	1
2-32	2	770-073 HOUSING-BEARING	1	2-32	18	770-037 PIN-	2
2-32	3	770-007 SEAL-O RING	4	2-32	19	770-039 SPRING-	2
2-32	4	770-009 WASHER-BACKUP	1	2-32	20	770-093 HOUSING-(SAE 10 PORTS) (INC. REF 21 & 22)	1
2-32	5	770-075 SEAL-SHAFT	1	2-32	21	4485-023 O-RING	1
2-32	6	218253-001 HKEY-5/16X5/16-2.00	1	2-32	22	4485-019 PLUG	1
2-32	7	770-099 SHAFT&BEARING KIT-	1	2-32		4485-021 PLUG ASSY (INC. REF. 21 & 22)	1
2-32	8	770-017 SEAL-SHAFT FACE	1	2-32	23	774-017 BOLT	4
2-32	9	770-079 PLATE-WEAR	1			224591-001 MOTOR ASSEMBLY-HYD. (INC. REF. 1-23)	
2-32	10	774-023 DRIVE-	1			770-097 REPAIR KIT (INC. REF. 1, 3, 4, 5, B, 16, 17 & 21)	
2-32	11	774-025 GEROLER ASSY-	1				
2-32	12	774-011 DRIVE-VALVE	1				
2-32	13	770-085 PLATE-VALVE	1				
2-32	14	770-087 VALVE-	1				
2-32	15	770-089 PLATE-BALANCE	1				
2-32	16	770-057 SEAL-FACE INNER	1				

NOTE: WHEN ORDERING REPLACEMENT PARTS, INCLUDE PRODUCT NUMBER 104-1228-006 WITH YOUR ORDER.

HYDRAULIC MOTOR COMPONENTS

Water pump motor

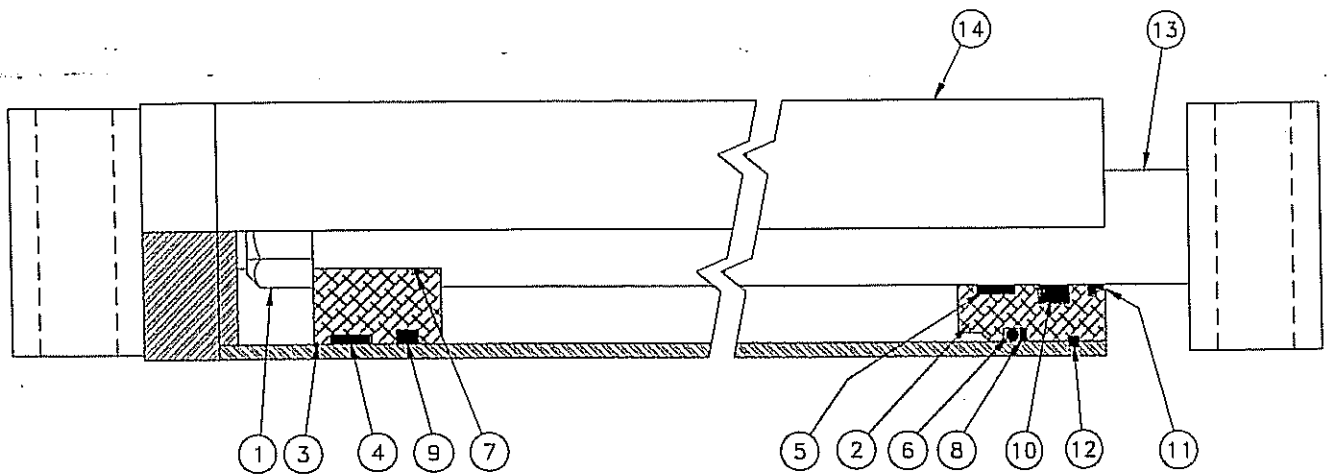
Figure 2-33



REF. NO.	PART NO.	DESCRIPTION	QTY.
2-33	1	219177-003 SCREW-CAP 5/16"-24 X 7/8	4
2-33	2	234678-003 FLANGE-MOUNTING	1
2-33	3	751-003 SEAL-DUST 9055-1	1
2-33	4	79530-009 WASHER-BACK UP	1
2-33	5	79530-005 SEAL-PRESSURE	1
2-33	6	6284-003 SEAL-9091-1	1
2-33	7	751-009 RACE-BEARING	1
2-33	8	751-011 BEARING-THRUST NEEDLE	1
2-33	9	234678-005 SHAFT-OUTPUT (7/8" DIA SAE B 13T SPLINED)	1
2-33	10	219177-005 HOUSING	1
2-33	11	215890-013 SPACER	1
2-33	12	219177-007 SCREW	7
2-33	13	219177-009 DRIVE	1
2-33	14	219177-011 SEAL	3
2-33	15	215890-009 SPACER-PLATE	1
2-33	16	219177-013 CAP-END	1
	234678-001	MOTOR--HYDRAULIC	
	219177-015	SEAL KIT (INC. REF. 3-6 & 14)	

HYDRAULIC CYLINDER COMPONENTS - 3" X 24"

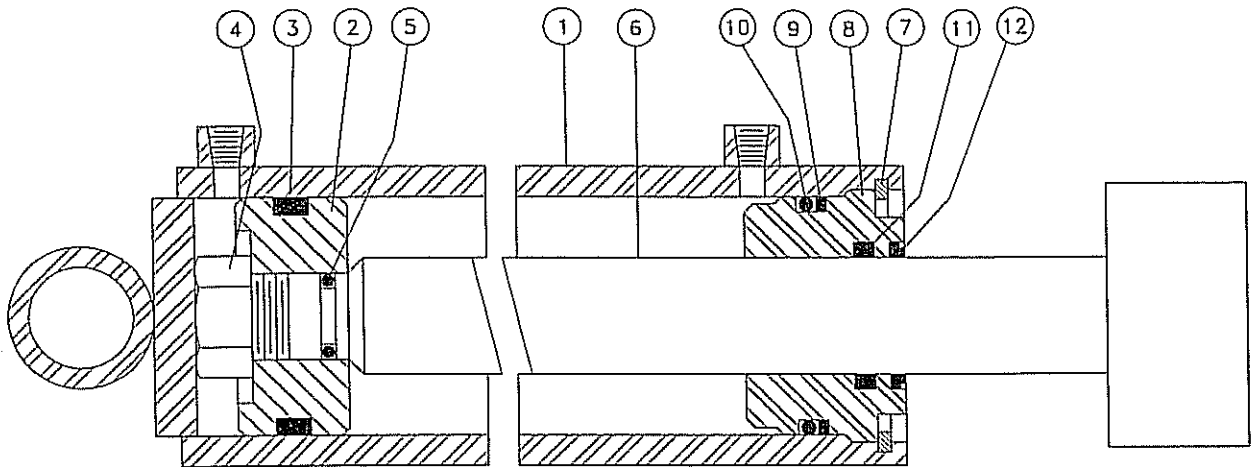
Figure 2-34



REF. NO.	PART NO.	DESCRIPTION	QTY.
2-34	1	236113-003 NUT	1
2-34	2	236113-005 HEAD	1
2-34	3	236113-007 PISTON	1
2-34	4	236113-009 WEAR RING	1
2-34	5	236113-011 WEAR RING	1
2-34	6	236113-013 O-RING	1
2-34	7	236113-015 O-RING	1
2-34	8	236113-017 BACKUP	1
2-34	9	236113-019 PSP SEAL	1
2-34	10	236113-021 POLYPAK	1
2-34	11	236113-023 DUST SEAL	1
2-34	12	236113-025 RETAINING RING	1
2-34	13	236113-027 SHAFT W/CLEVIS	1
2-34	14	236113-029 BARREL W/ CLEVIS	1
	236113-031	REPAIR KITS-3" CYLINDER (INC. REF. 4-11)	
	236113-001	CYLINDER-3 X 24 (INC. REF 1.14)	

HYDRAULIC CYLINDER COMPONENTS - 3" X 14"

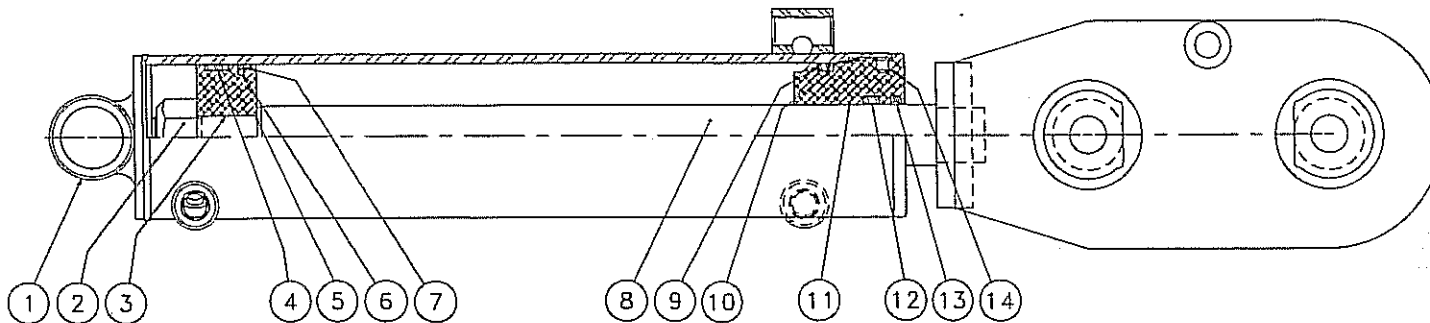
Figure 2-35



REF. NO.	PART NO.	DESCRIPTION	QTY.
2-35	1	68540-001 BODY-CYLINDER	1
2-35	2	56091-001 PISTON-CYLINDER	1
2-35	3	52704-001 UNI-RING	1
2-35	4	5460-001 NUT -1-14 NF GR 8 SLTL	1
2-35	5	208-007 O-RING-SPRG CAP	1
2-35	6	68544-001 ROD-CYLINDER	1
2-35	7	602-300 SNAP RING-N5000-300 (3 IN.)	1
2-35	8	58137-001 GLAND-CYLINDER	1
2-35	9	52705-001 BACKUP-WASHER	1
2-35	10	4433-001 O-RING 334 70 D BUNA N B46	1
2-35	11	24754-001 ROD SEAL-#30-108116-250 U-PACK	1
2-35	12	24753-001 WIPER-	1
	215768-001	CYLINDER-3X14 (COMPLETE)	
	56687-001	REPAIR KIT (INC. REF. 3, 5, 7 & 9-12).	

HYDRAULIC CYLINDER COMPONENTS - 3" X 42"

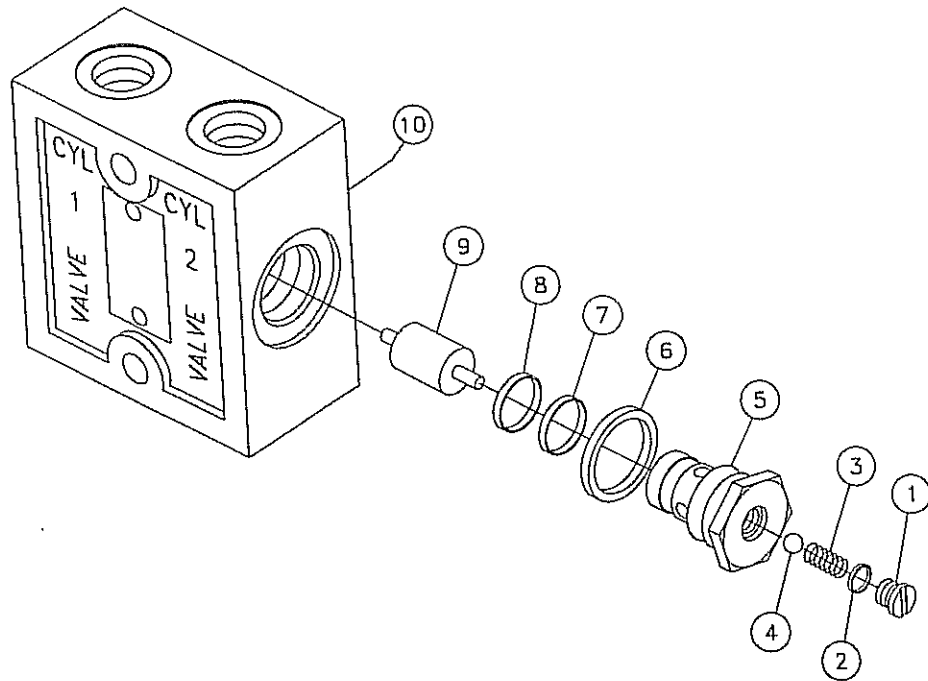
Figure 2-36



REF. NO.	PART NO.	DESCRIPTION	QTY.
2-36	1	236105-003 TUBE WELDMENT	1
2-36	2	215657-005 LOCK NUT .875-14UNF	1
2-36	3	215657-007 PISTON	1
2-36	4	215657-009 WEAR BAND	1
2-36	5	215657-011 O-RING	1
2-36	6	215657-013 SQUARE RING	1
2-36	7	215657-015 SQUARE SECTION TEFLON SEAL	1
2-36	8	236105-005 ROD WELDMENT	1
2-36	9	215657-019 O-RING	1
2-36	10	215657-023 BACKUP RING	1
2-36	11	215657-025 HEAD GLAND	1
2-36	12	215657-027 DOUBLE LIP U-CUP	1
2-36	13	215657-029 ROD WIPER	1
2-36	14	104012-005 LOCKING INSERT	1
	236105-001	CYLINDER -3X42 (INC. REF. 1-14)	
	215657-031	SEAL KIT (INC. REF. 4-7, 9, 11, 13 & 14)	

LOCK VALVE COMPONENTS

Figure 2-37



REF. NO.	PART NO.	DESCRIPTION	QTY.
2-37	1	3216-007 PLUG-SEAT	2
2-37	2	NSS O-RING	2
2-37	3	3216-009 SPRING-CHECK	2
2-37	4	3216-011 BALL	2
2-37	5	3216-013 SEAT	2
2-37	6	NSS O-RING	2
2-37	7	NSS O-RING	2
2-37	8	NSS WASHER-BACKUP	2
2-37	9	3216-015 PISTON-D	1
2-37	10	NSS HOUSING	1
	3216-003	REPAIR KIT (INC. TWO EACH OF REF. 2 & 6-8)	
	3216-005	REBUILDING KIT- (INC. TWO EACH OF REF. 1-8 & ONE OF REF. 9)	
	86668-001	VALVE-LOCK (INC. REF. 1-10)	

MISCELLANEOUS SUPPLIES

Figure 2-38

CORDURA SLEEVES



INSIDE DIAMETER	PART NUMBER
.71	83726-001
1.22	66094-001
1.42	67264-001
1.59	69129-001
1.81	53840-001
2.37	53841-001

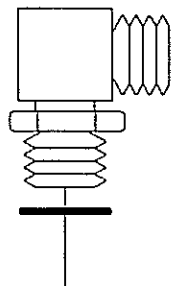
NOTE: SPECIFY LENGTH WHEN ORDERING

TIE STRAPS



LENGTH	PART NUMBER
4 IN.	78657-001
6 IN.	18355-001
8 IN.	59634-001
15 IN.	58151-001

O-RINGS

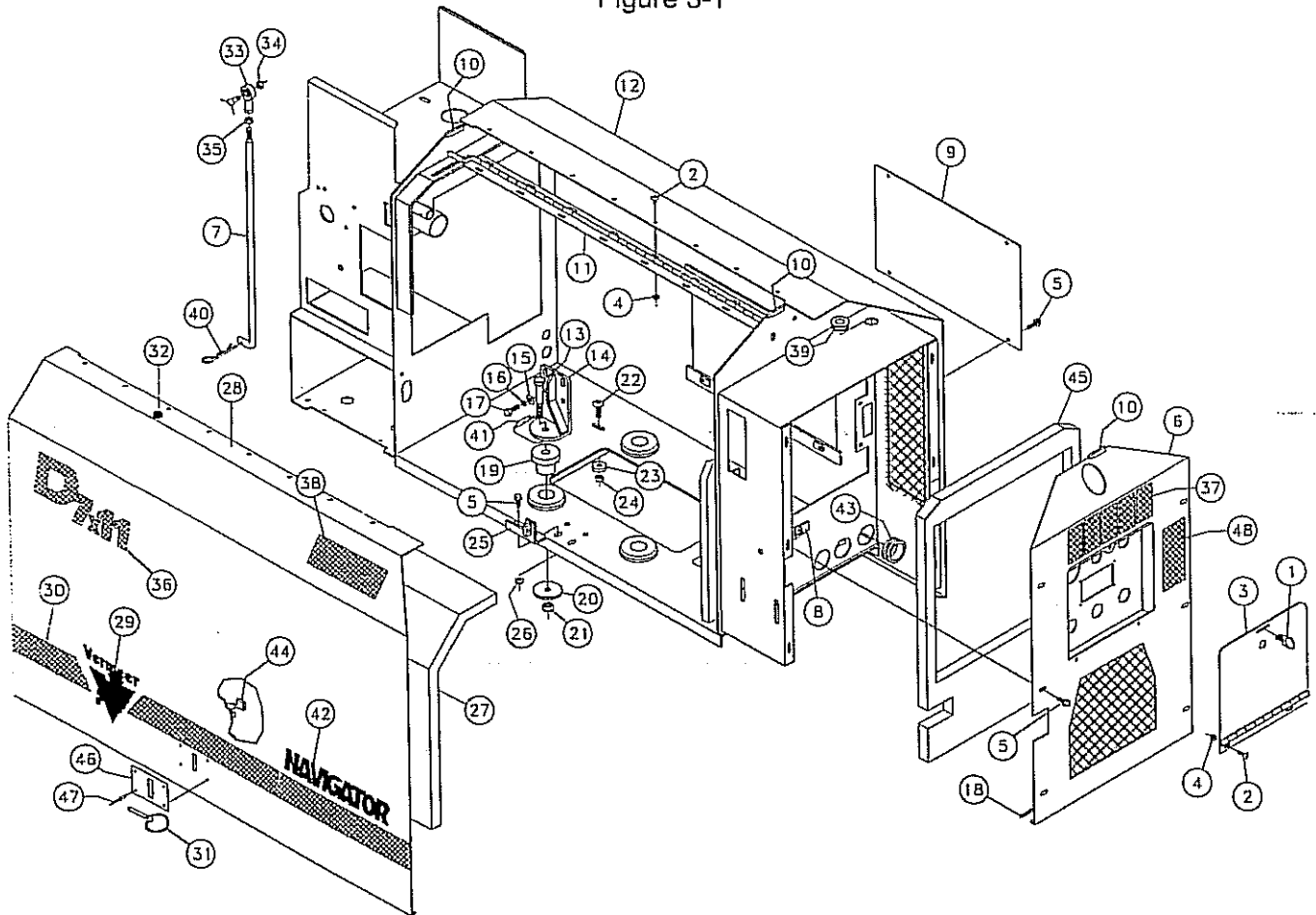


SAE FITTING SIZE	REPLACEMENT O-RING PART NO.
4M	78185-027
5M	53649-081
6M	59088-057
8M	59088-053
10M	792-029
12M	3152-013
14M	3155-015
16M	81580-001
20M	93316-001

NOTE: O-RINGS LISTED ARE 90 DURAMETER

ENGINE COMPARTMENT ASSEMBLY

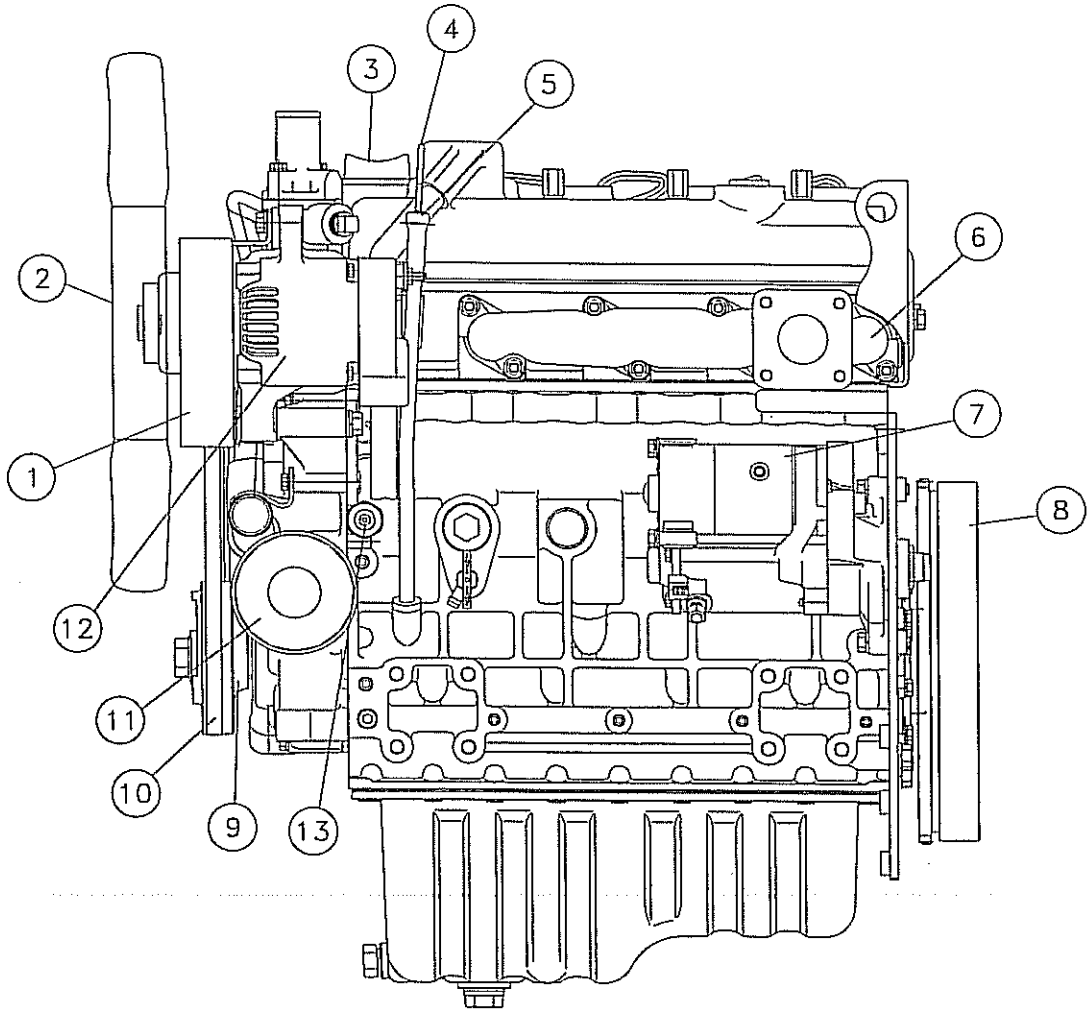
Figure 3-1



REF. NO.	PART NO.	DESCRIPTION	QTY.	REF. NO.	PART NO.	DESCRIPTION	QTY.		
3-1	1	86113-001	FASTENER-1/4 TURN	1	3-1	25	235634-001	LATCH-DOOR	1
3-1	2	373-005	BOLT-1/4-20X5/8 GR5 CARRIAGE	16	3-1	26	408-001	NUT-5/16 NC FLG WHIZ LOCK	2
3-1	3	227145-001	DOOR-HINGE	1	3-1	27	229336-001	FOAM-DOOR	1
3-1	4	405-001	NUT-1/4 NC FLG WHIZ LOCK	18	3-1	28	235637-001	SHIELD-ENGINE	1
3-1	5	4474-006	BOLT-5/16-18X3/4 FLANGE WHIZ	12	3-1	29	70000-784	DECAL 6"VERMEER LOGO	1
3-1	6	227037-001	PANEL-FRONT ENGINE	1	3-1	30	70000-774	DECAL 2 1/2"VERMEER STRIPE (SPECIFY LENGTH)	A/R
3-1	7	229377-001	ROD-DOOR LATCH	1	3-1	31	1797-003	PIN-QUICK ATTACHMENT 1/4"	1
3-1	8	411-001	NUT-5/16 NC U-CLIP 31280-5618	6	3-1	32	101522-001	BUMPER-RUBBER SELF ADHES.3/4OD	1
3-1	9	227036-001	DOOR- ENGINE ACCESS	1	3-1	33	56220-001	BALL JOINT-3/8" #CFF-6 MORSE	1
3-1	10	97456-001	SEAL-BULB EDGE 1/8" STYLE (SPECIFY LENGTH)	A/R	3-1	34	447-001	NUT-3/8 NF SLTL	1
3-1	11	217930-001	HINGE-SHIELD	1	3-1	35	446-001	NUT-3/8 NF HEX	1
3-1	12	227022-001	COMPARTMENT-ENGINE	1	3-1	36	7000A-659	DECAL_MODEL D7X11A	1
3-1	13	358-026	1/2-13X2 3/4"GRADE#5HEX BOLT	4	3-1	37	7000A-528	DECAL-WARNING	1
3-1	14	236370-001	MOUNT-MOTOR	4			700IA-528	DECAL-WARNING (INT.)	1
3-1	15	20779-001	WASHER-10M FLAT	16	3-1	38	7000A-576	DECAL-DANGER	1
3-1	16	13625-001	WASHER-10 MM LOCK	16			700IA-576	DECAL-DANGER (INT.)	1
3-1	16	13625-001	WASHER-10 MM LOCK	16	3-1	39	900869-001	GROMMET 2567	1
3-1	17	219053-009	HEX HEAD CAP SCREW-M10 X 30	16	3-1	40	1794-003	HAIR PIN COTTER - .148 WIRE	1
3-1	18	4225-001	SD-1250 FLEX STL. CORE (SPECIFY LENGTH)	A/R	3-1	41	212522-001	TRIM-1/4 EDGE (SPECIFY LENGTH)	A/R
3-1	19	236373-001	ISOLATOR-CB-1122-2 RUBBER	4	3-1	42	7000A-010	DECAL-MODEL NAVIGATOR(MEDIUM)	1
3-1	20	18064-001	CAP-PIVOT TUBE	4	3-1	43	902402-001	GROMMET-1 1/2"RUBBER	3
3-1	21	423-001	NUT-1/2 NC SLTL UTB	4	3-1	44	229380-001	PAD-LATCH FOAM	1
3-1	22	375-012	3/8-16X1 1/4"GD#5CARRIAGE BOLT	5	3-1	45	229303-001	FOAM-RADIATOR	1
3-1	23	220912-001	WASHER	5	3-1	46	236383-001	PLATE-ENGINE SHIELD PIN	1
3-1	24	416-001	NUT-3/8 NC SLTL	5	3-1	47	547-007	POP RIVET-SS68D	4
					3-1	48	7000A-393	DECAL - DANGER	1
							700IA-393	DECAL - DANGER (INT.)	1

ENGINE COMPONENTS

Figure 3-2

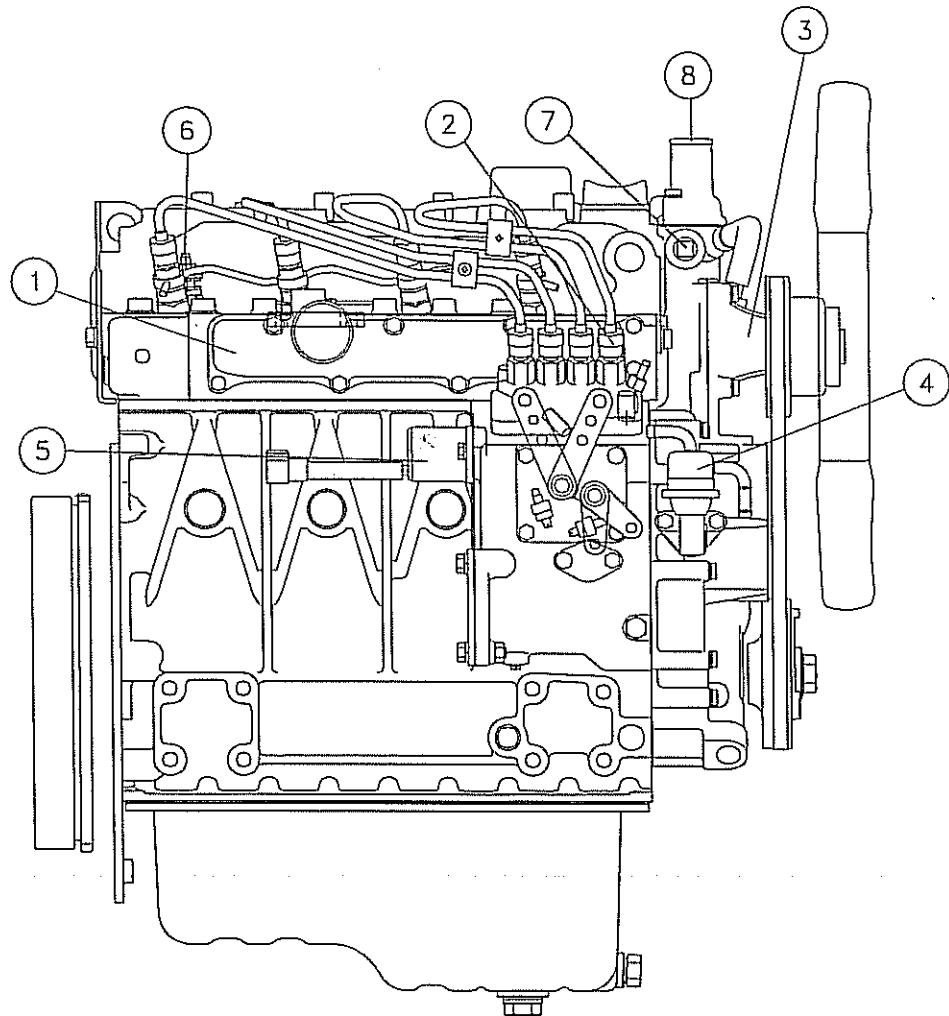


REF. NO.	PART NO.	DESCRIPTION	QTY.
3-2	1	227241-003 PULLEY-FAN	1
3-2	2	227244-001 FAN-10 BLADE SUCTION	1
3-2	3	227241-005 PLUG-OIL FILTER	1
		218420-015 O-RING	1
3-2	4	218420-019 GUIDE-OIL GAUGE	1
3-2	5	218420-017 GAUGE-OIL	1
3-2	6	227241-007 MANIFOLD-EXHAUST	1
		227241-009 GASKET-MANIFOLD	1
		227241-011 GASKET-EXHAUST	1
3-2	7	227241-013 STARTER ASSEMBLY	1
3-2	8	227241-015 FLYWHEEL ASSEMBLY	1
		227241-017 GEAR-RING	1
3-2	9	227241-019 PULLEY-FAN DRIVE	1
3-2	10	229363-001 BELT-9.5/10MM X 945MM ALT	1
3-2	11	227241-021 OIL FILTER	1
3-2	12	218420-037 ALTERNATOR ASSEMBLY	1
3-2	13	218420-039 OIL SWITCH	1

- new 236320-001 belt 10mm x 945mm Fan - 76.70
 - new 218420-035

ENGINE COMPONENTS

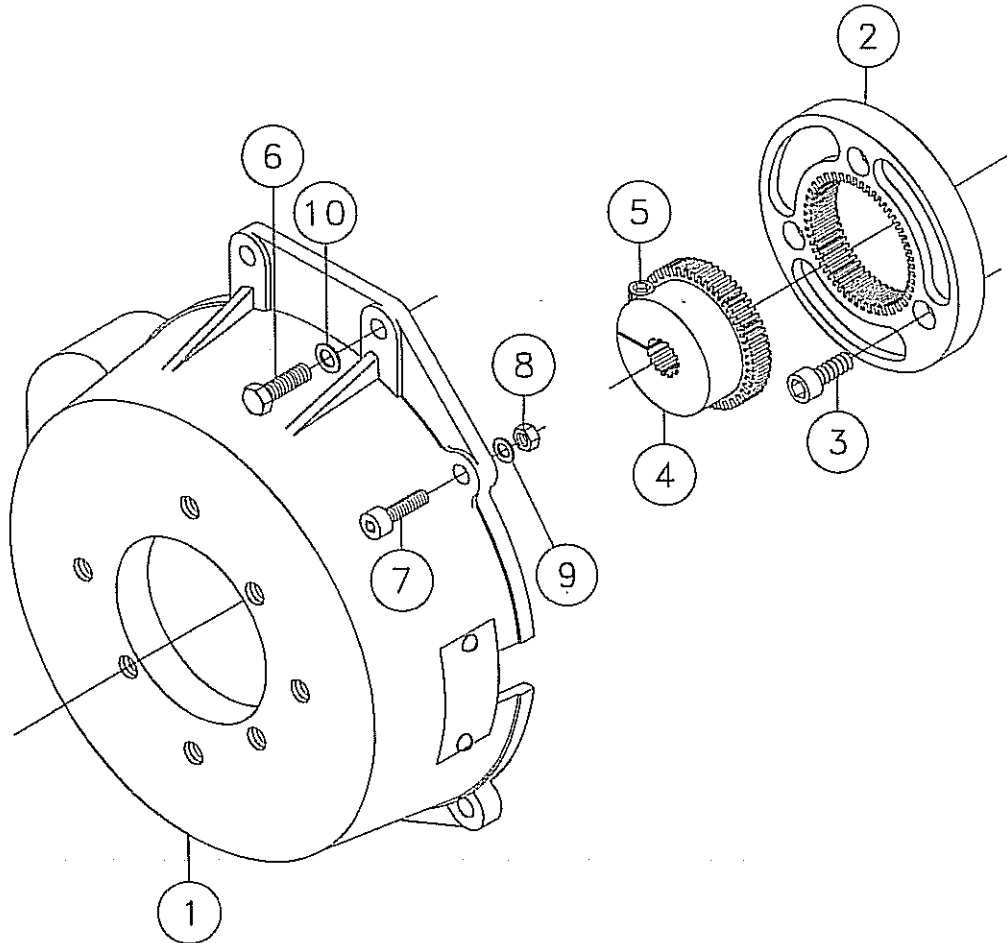
Figure 3-3



REF. NO.	PART NO.	DESCRIPTION	QTY.	
3-3	1	227241-023	MANIFOLD-INLET	1
		227241-025	GASKET-INLET MANIFOLD	1
3-3	2	227241-027	PUMP ASSEMBLY-INJECTION	1
		227241-029	SHIM-INJECTION PUMP	2
		227241-031	SHIM-INJECTION PUMP	2
3-3	3	227241-033	PUMP ASSEMBLY-WATER	1
		227241-035	GASKET-WATER PUMP	1
3-3	4	227241-037	GASKET-FUEL PUMP	1
		218420-055	PUMP ASSEMBLY-FUEL	1
3-3	5	227241-039	SOLENOID ASSEMBLY	1
		227241-041	GASKET-SOLENOID	1
3-3	6	227241-043	GLOW PLUG	1
		219450-001	WIRE ASSEMBLY-GLOW PLUG	1
3-3	7	219249-001	SENDER-WATER TEMP	1
3-3	8	227241-047	THERMOSTAT COVER	1
		227241-049	GASKET-THERMOSTAT COVER	1
		227241-051	THERMOSTAT	1

BELL HOUSING & COUPLING COMPONENTS

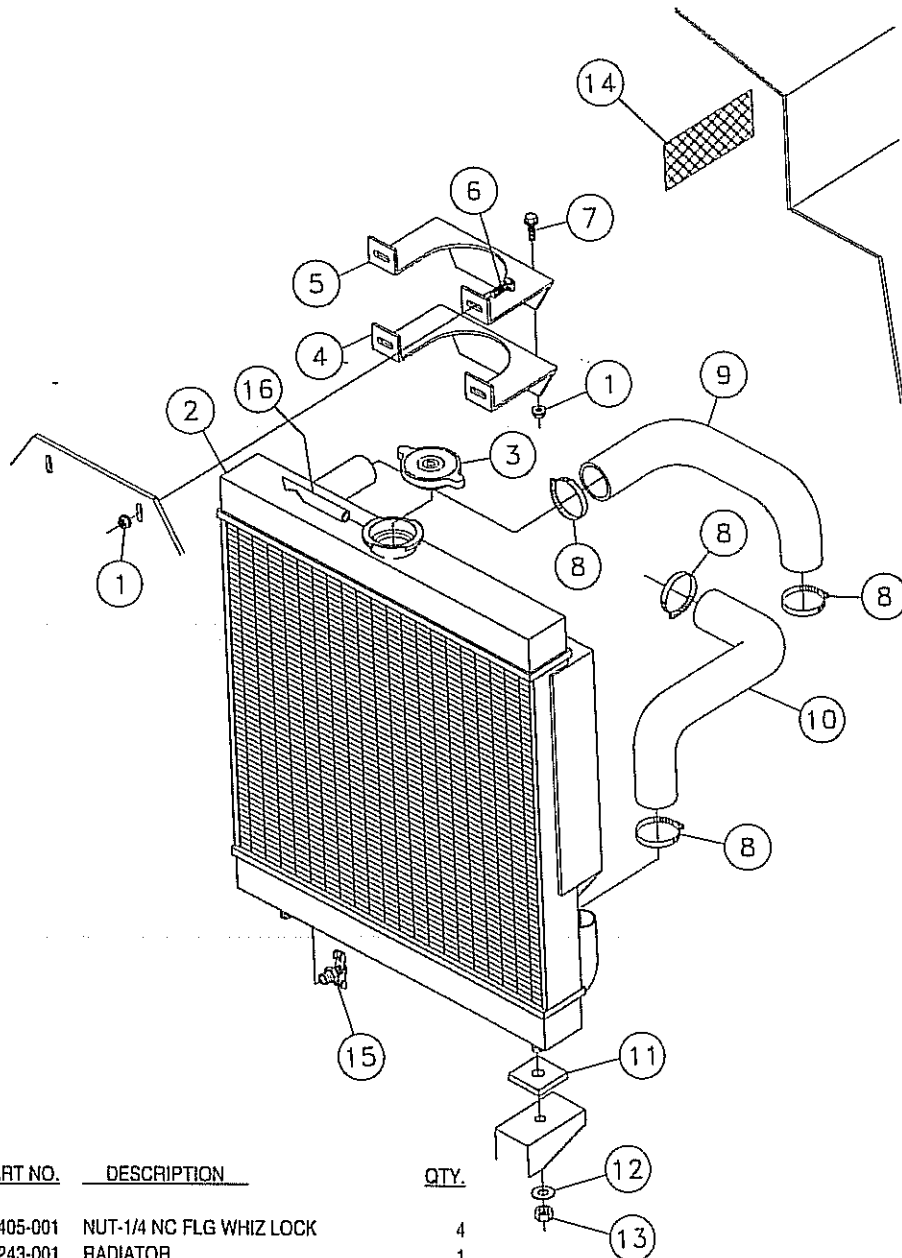
Figure 3-4



REF. NO.	PART NO.	DESCRIPTION	QTY.
3-4	1	219053-003 HOUSING-SUPER 5	1
3-4	2	219053-005 FLANGE-135 NYLON	1
3-4	3	119874-001 BOLT-M10 X 1.25-30MM SOCKET HD	3
3-4	4	227239-001 HUB-11T SPLINE	1
3-4	5	219053-007 BOLT-FASTENER	1
3-4	6	219053-009 HEX HEAD CAP SCREW-M10 X 30	2
3-4	7	119513-001 BOLT-M8 X 30MM SOCKET HEAD	4
3-4	8	574-001 NUT-8MM METRIC	1
3-4	9	17393-001 WASHER-8M LOCK	1
3-4	10	219053-011 WASHER-M10	2
	219053-001	HOUSING KIT-BOWEX BELL (INC. REF. 1-3 & 5-10)	

RADIATOR ASSEMBLY

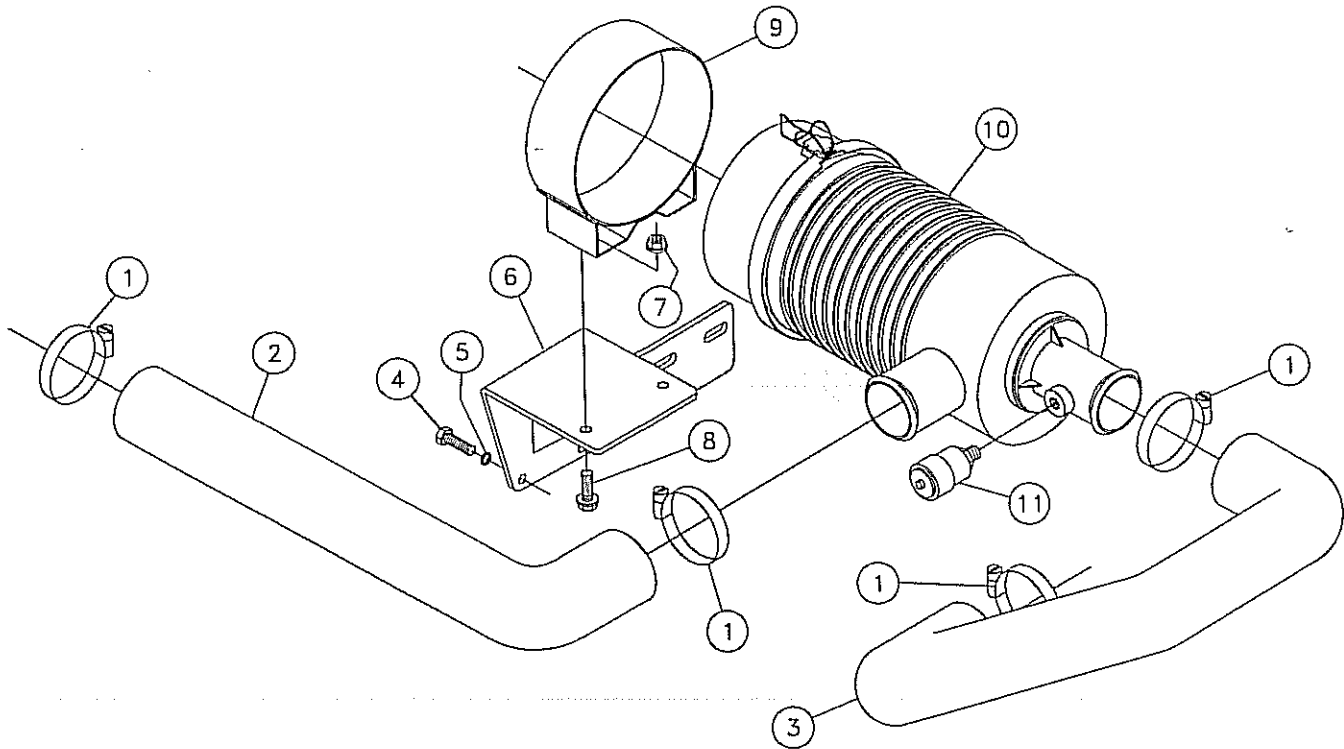
Figure 3-5



REF. NO.	PART NO.	DESCRIPTION	QTY.
3-5	1	405-001 NUT-1/4 NC FLG WHIZ LOCK	4
3-5	2	227243-001 RADIATOR	1
3-5	3	227243-003 CAP-RADIATOR	1
3-5	4	229323-001 RUBBER-UPPER MOUNTING	1
3-5	5	229322-001 PLATE-TOP MOUNT	1
3-5	6	373-005 BOLT-1/4-20X5/8 GR5 CARRIAGE	2
3-5	7	4473-006 BOLT-1/4-20X3/4 FLG WHIZ	2
3-5	8	1580-011 HOSE CLAMP - 2"	4
3-5	9	229321-001 HOSE-TOP RADIATOR	1
3-5	10	229375-001 HOSE-LOWER RADIATOR	1
3-5	11	229306-001 RUBBER-MOUNTING	2
3-5	12	465-007 WASHER-3/8 FLAT	2
3-5	13	416-001 NUT-3/8 NC SLTL	2
3-5	14	2326-315 DECAL-WARNING	1
		23261-315 DECAL-WARNING (INTERNATIONAL)	1
3-5	15	227243-005 DRAIN COCK	1
3-5	16	619-001 HOSE-1/4" FUEL LINE (SPECIFY LENGTH)	1

AIR CLEANER ASSEMBLY

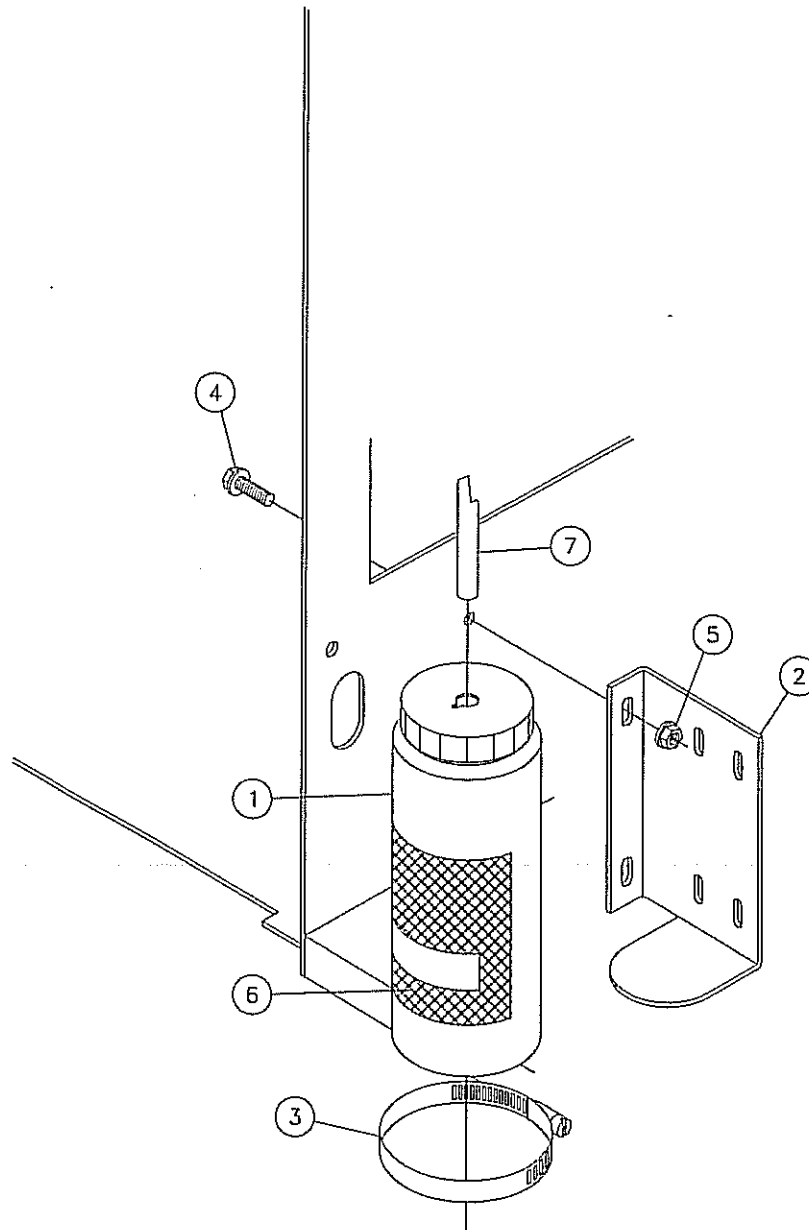
Figure 3-6



<u>REF. NO.</u>	<u>PART NO.</u>	<u>DESCRIPTION</u>	<u>QTY.</u>
3-6	1	1580-013 HOSE CLAMP - 2 1/2"	4
3-6	2	229291-001 HOSE-AIR INLET	1
3-6	3	227000-001 ELBOW-AIR CLEANER	1
3-6	4	119512-001 BOLT-M8 X 1.25-25MM HEX HEAD	2
3-6	5	17393-001 WASHER-8M LOCK	2
3-6	6	234671-001 MOUNT-AIR CLEANER	1
3-6	7	1809-007 NUT - 5/16-18 SM.FLGE.T.L.	2
3-6	8	4474-006 BOLT-5/16-18X3/4 FLANGE WHIZ	2
3-6	9	224286-001 CLAMP-AIR CLEANER 5.75 DIA.	1
3-6	10	224285-001 AIR CLEANER-2' OUTLET (BREAKDOWN FIG. 3-10)	1
3-6	11	53631-001 INDICATOR	1

COOLANT OVERFLOW BOTTLE ASSEMBLY

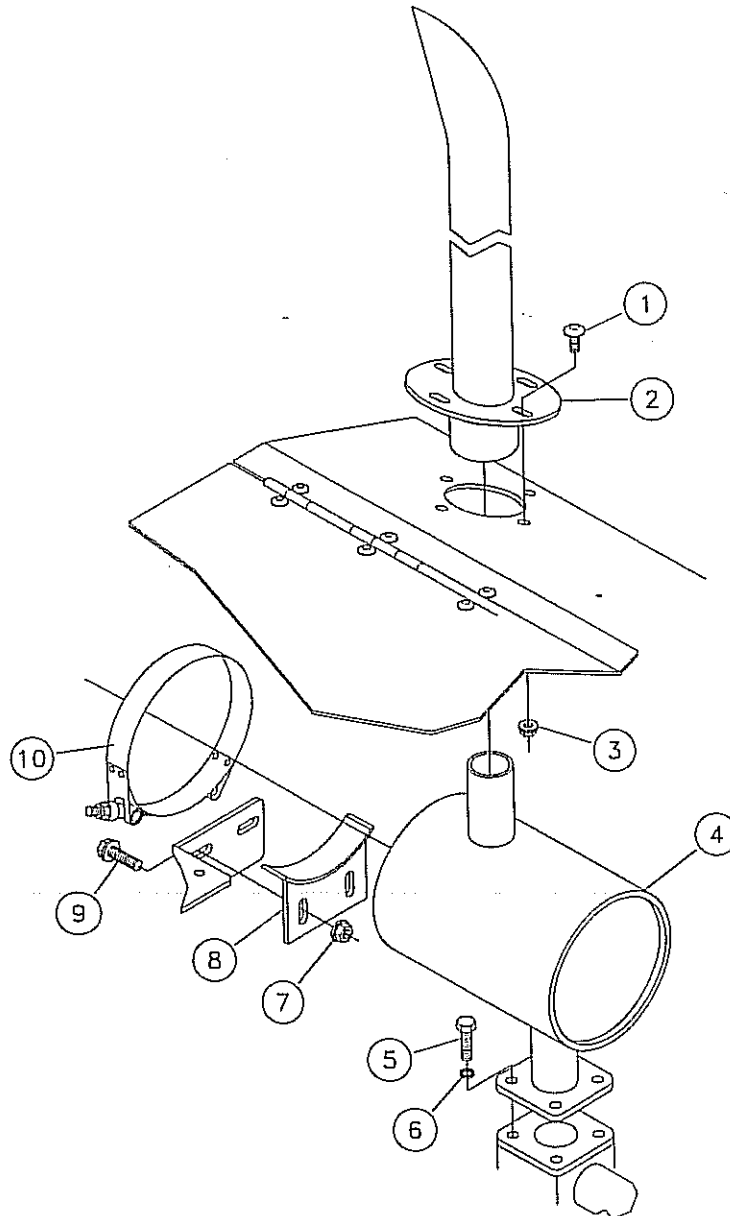
Figure 3-7



REF. NO.	PART NO.	DESCRIPTION	QTY.
3-7	1	63949-001 BOTTLE-UV CNTRL THCK WALL CLNT	1
		63948-001 CAP-70MM G.	1
3-7	2	229338-001 MOUNT-COOLANT BOTTLE	1
3-7	3	25245-001 HOSE CLAMP-3 1/4	2
3-7	4	4474-006 BOLT-5/16-18X3/4 FLANGE WHIZ	2
3-7	5	408-001 NUT-5/16 NC FLG WHIZ LOCK	2
3-7	6	2326-920 DECAL-COOLANT BOTTLE LEVEL	1
3-7	7	619-001 HOSE-1/4" FUEL LINE (SPECIFY LENGTH)	1

MUFFLER ASSEMBLY

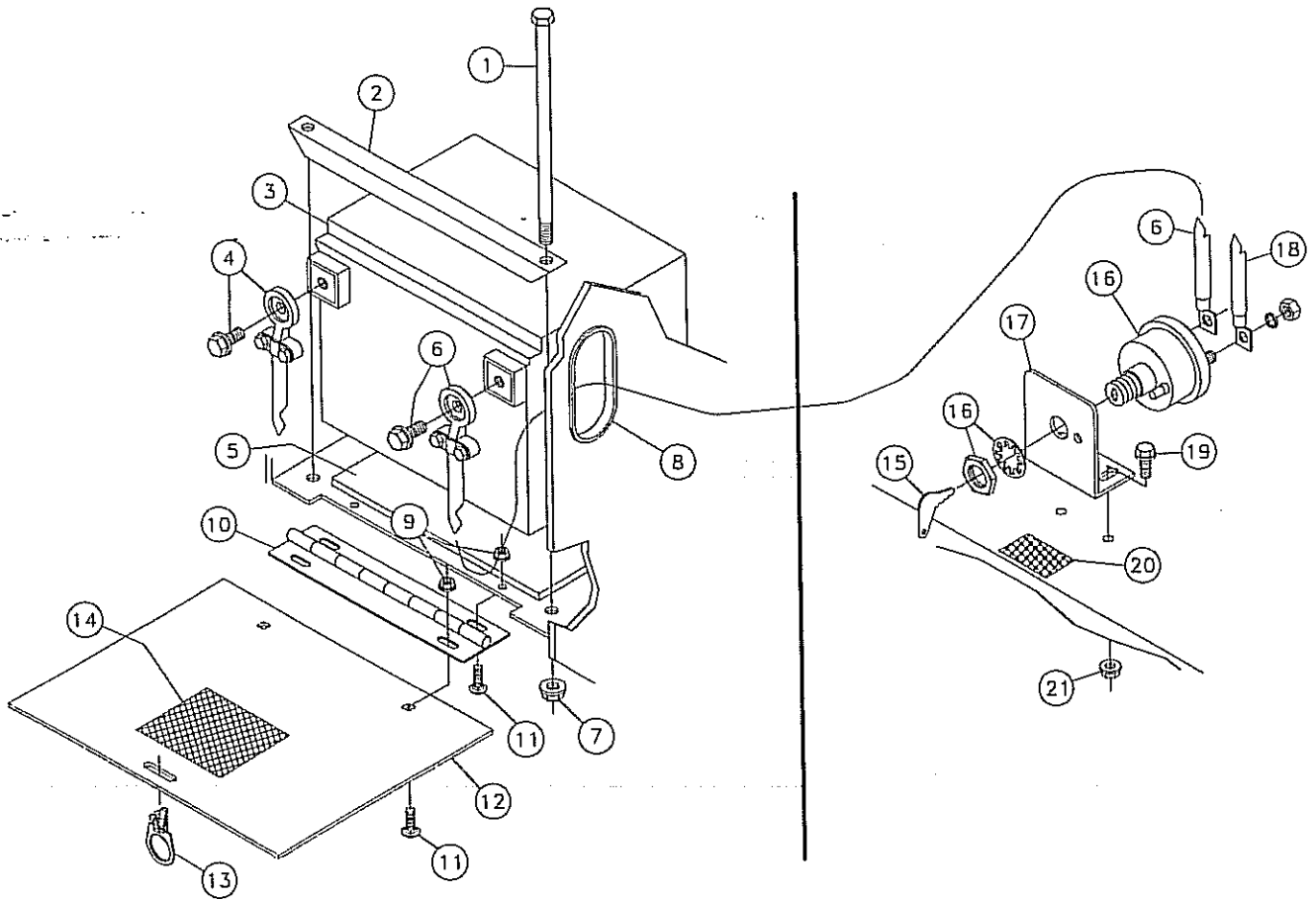
Figure 3-8



<u>REF. NO.</u>	<u>PART NO.</u>	<u>DESCRIPTION</u>	<u>QTY.</u>
3-8	1	374-006 BOLT-5/16-18X3/4 CARRIAGE	4
3-8	2	234675-001 PIPE-EXHAUST	1
3-8	3	408-001 NUT -5/16-18 FLG. WHIZ LOCK	4
3-8	4	227237-001 MUFFLER-EXHAUST	1
3-8	5	119512-001 BOLT-M8 X 1.25-25MM HEX HEAD	4
3-8	6	17393-001 WASHER-8M LOCK	4
3-8	7	4536-001 NUT-3/8"-16 FLG WHIZ LOCK	2
3-8	8	234670-001 SUPPORT-MUFFLER	1
3-8	9	4475-012 BOLT-3/8"-16X1 1/2" FLG WHIZ	2
3-9	10	109697-001 CLAMP-6" T-BOLT	1

BATTERY ASSEMBLY

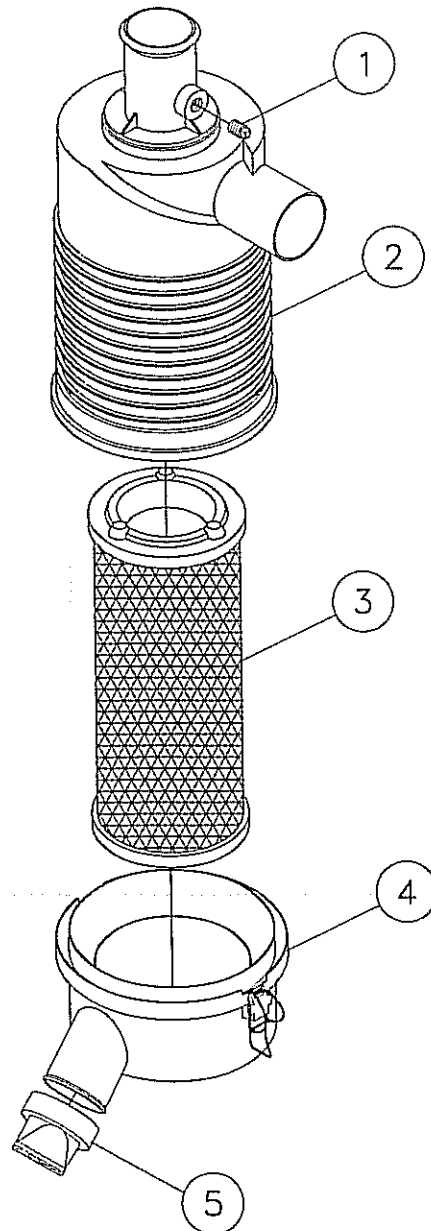
Figure 3-9



REF. NO.	PART NO.	DESCRIPTION	QTY.	REF. NO.	PART NO.	DESCRIPTION	QTY.
3-9	1	354-080 3/8-16X8 GR 5 HEX BOLT	2	3-9	12	229271-001 DOOR BATTERY	1
3-9	2	227023-001 BAR-BATTERY CLAMP	1	3-9	13	86113-001 FASTENER-1/4 TURN	1
3-9	3	N/A BATTERY	1	3-9	14	70000-044 DECAL-WARNING(AT/JND)	1
3-9	4	229365-001 CABLE-BATTERY 4GA.X40 P-E	1	3-9	14	70001-044 DECAL-WARNING (INTERNATIONAL)	1
3-9	5	229373-001 PAD-BATTERY	1	3-9	15	87356-003 KEY	1
3-9	6	229364-001 CABLE-BATTERY 4GA.X18 N-E	1	3-9	16	904365-001 SWITCH-DISCONNECT	1
3-9	7	4536-001 NUT - 3/8-16 FLG. WHIZ LOCK	2	3-9	17	229476-001 MOUNT-DISCONNECT SWITCH	1
3-9	8	4225-001 FLEX STEEL CORE (SPECIFY LENGTH)		3-9	18	219380-001 STRAP-GROUND (4 GA.X12")	1
3-9	9	405-001 NUT-1/4 NC FLG WHIZ LOCK	4	3-9	19	4474-006 BOLT-5/16"-18X3/4" FLG WHIZ	2
3-9	10	229272-001 HINGE BATTERY DOOR	1	3-9	20	7001A-477 DECAL-BATTERY SWITCH	1
3-9	11	373-005 BOLT-1/4-20X5/8 GR5 CARRIAGE	4	3-9	21	408-001 NUT-5/16"-18 FLG WHIZ	2

AIR CLEANER COMPONENTS

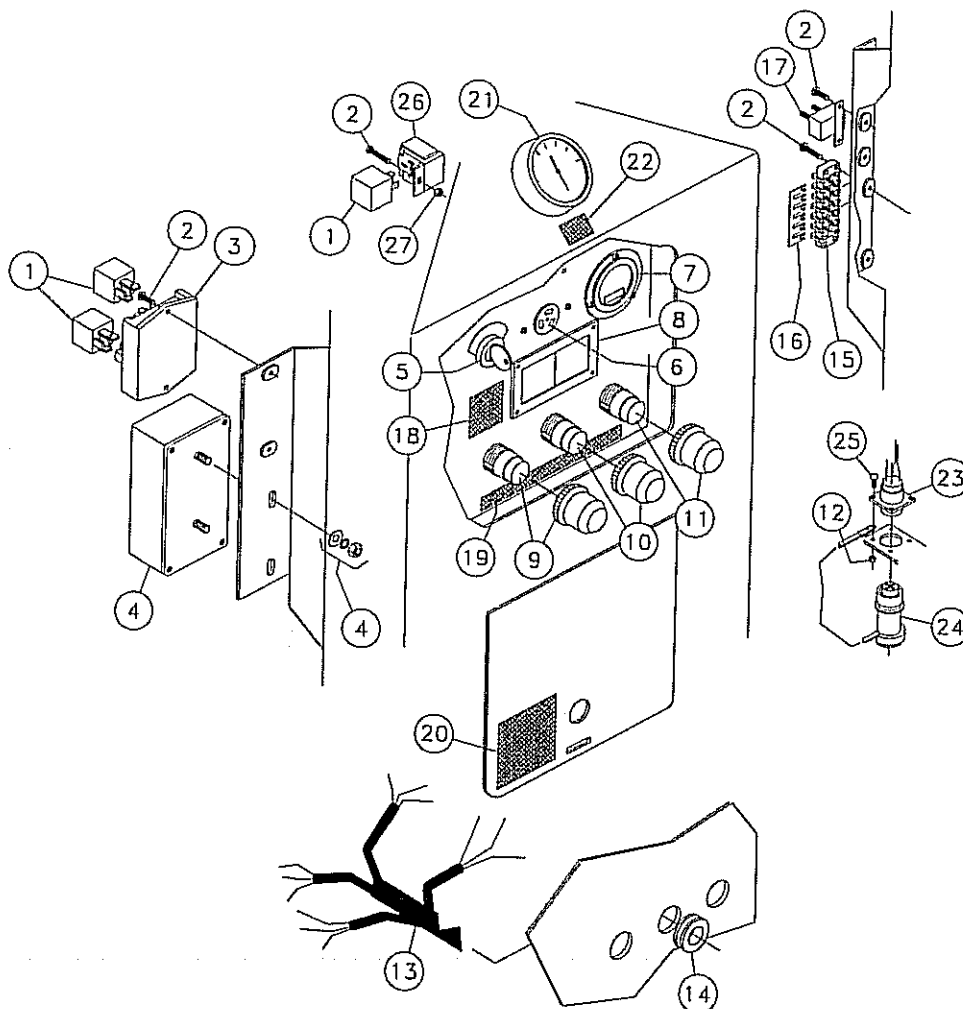
Figure 3-10



<u>REF. NO.</u>	<u>PART NO.</u>	<u>DESCRIPTION</u>	<u>QTY.</u>
3-10	1	224285-003 PLUG	1
3-10	2	224285-005 BODY ASSEMBLY	1
3-10	3	224285-007 ELEMENT ASSEMBLY	1
3-10	4	224285-009 COVER ASSEMBLY	1
3-10	5	224285-011 VALVE	1
	224285-001	AIR CLEANER ASSEMBLY (INC. REF. 1-5)	

CONTROL PANEL ASSEMBLY

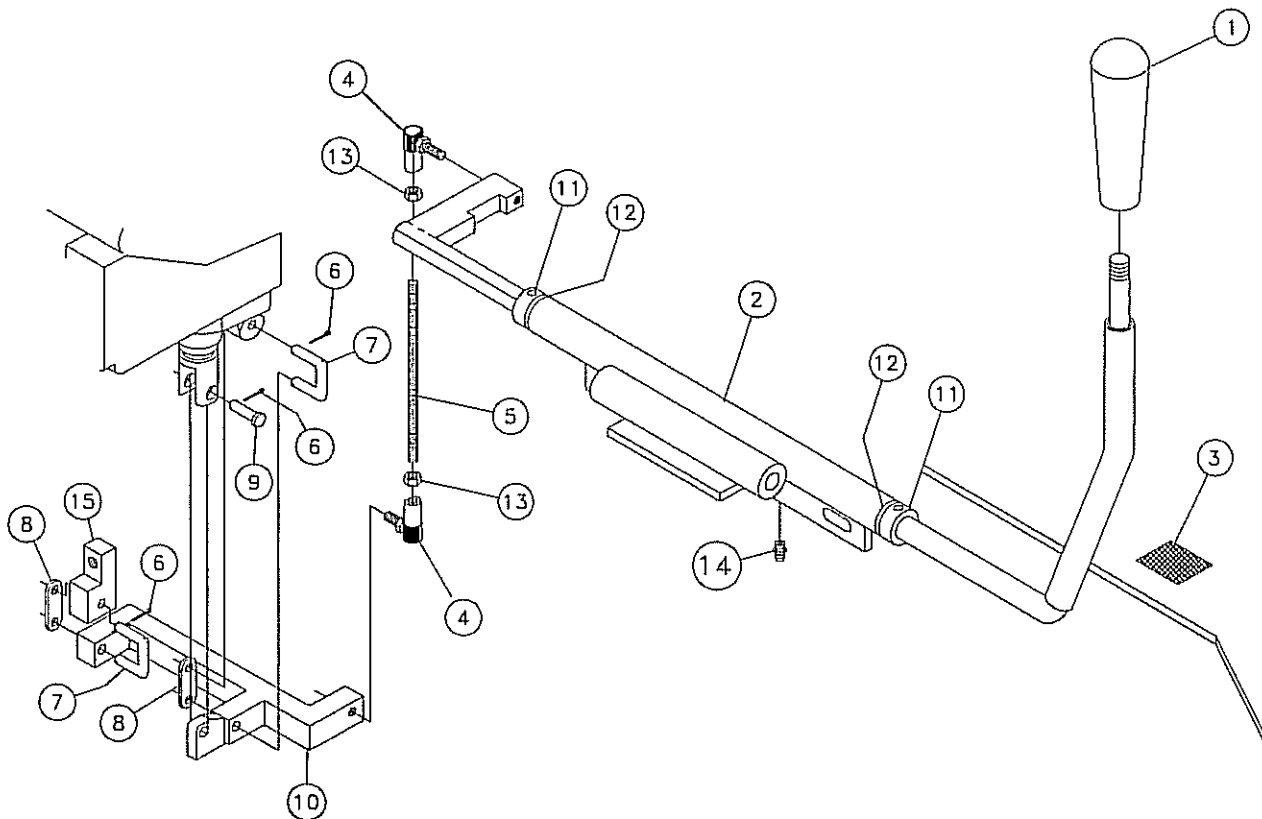
Figure 4-1



REF. NO.	PART NO.	DESCRIPTION	QTY.	REF. NO.	PART NO.	DESCRIPTION	QTY.
4-1	1	219137-001 RELAY-BOSCH NO/NC 20/30 AMP	3				
4-1	2	1802-010 BOLT - 3/16" X 1" NC STOVE	7		215997-001 BOOT-BLACK RUBBER		1
4-1	3	219106-001 CONTROL MODULE-DSR	1	4-1	215998-001 BLOCK-N.C. CONTACT		1
4-1	4	217231-001 ZAP ALERT-CURRENT SENSE	1	4-1	217971-001 BUTTON ASSY - CURRENT TEST		1
4-1	5	218420-007 KEYSWITCH-E01 KIT	1	4-1	215992-001 BUTTON-GREEN FLUSH CONTACT		1
		218420-079 KEYS-IGNITION (PAIR)	1	4-1	215993-001 BOOT-GREEN RUBBER		1
4-1	6	904346-001 BUZZER	1	4-1	904423-001 CONTACT BLOCK		1
		905001-001 BOLT-8-32 X 2 STOVE	2	4-1	69757-001 LOCKNUT-#6-32 NYLON INSERT PLT		2
		904995-001 WASHER-8 INTERNAL STAR	2	4-1	229435-001 WIRING HARNESS-KUBOTA		1
		399-001 NUT-8-32 HEX	2	4-1	902402-001 GROMMET-1 1/2" RUBBER		3
4-1	7	215914-001 GAUGE-HR METER 876EM SLD.STATE	1	4-1	26452-001 TERMINAL-2006		1
4-1	8	69757-001 LOCKNUT-#6-32 NYLON INSERT PLT	4	4-1	26453-001 TERMINAL JUMPER-267-A42-6		1
		63737-001 SCREW-6-32X1/2 MACHINE	4	4-1	64075-001 BREAKER-RAMCO 12A30A2-0001		1
		218810-001 HOLD DOWN-MODULE	1	4-1	7000A-062 DECAL-IGNITION		1
		219236-001 WINDOW-DISPLAY	1	4-1	7000A-061 DECAL-CONTROLS		1
		219212-001 LIGHT MODUAL-STARTER INTERLOCK	1	4-1	2326-940 DECAL-NOTICE TO OWNERS		1
4-1	9	215991-001 STRIKE ALERT TEST BUTTON ASSY	1	4-1	21	904537-001 GAUGE-5000 PSI SPAN	1
		215992-001 BUTTON-GREEN FLUSH CONTACT	1	4-1	22	700IA-526 DECAL-ROTATION PRESSURE (UG)	1
		215993-001 BOOT-GREEN RUBBER	1	4-1	23	229393-001 SOCKET ASSY-GLAND	1
		215994-001 BLOCK-N.O. CONTACT	1	4-1	24	229395-001 PLUG-GROUND SOCKET	1
4-1	10	215995-001 STRIKE ALERT RESET BUTTON ASSY	1	4-1	25	63737-001 SCREW-6-32X1/2 MACHINE	4
		215996-001 BUTTON-BLACK EXTENDED CONTACT	1	4-1	26	219137-003 CONNECTOR-BOSCH	1
				4-1	27	400-001 NUT-3/16 NC HEX	1

ROTATION CONTROL LEVER ASSEMBLY

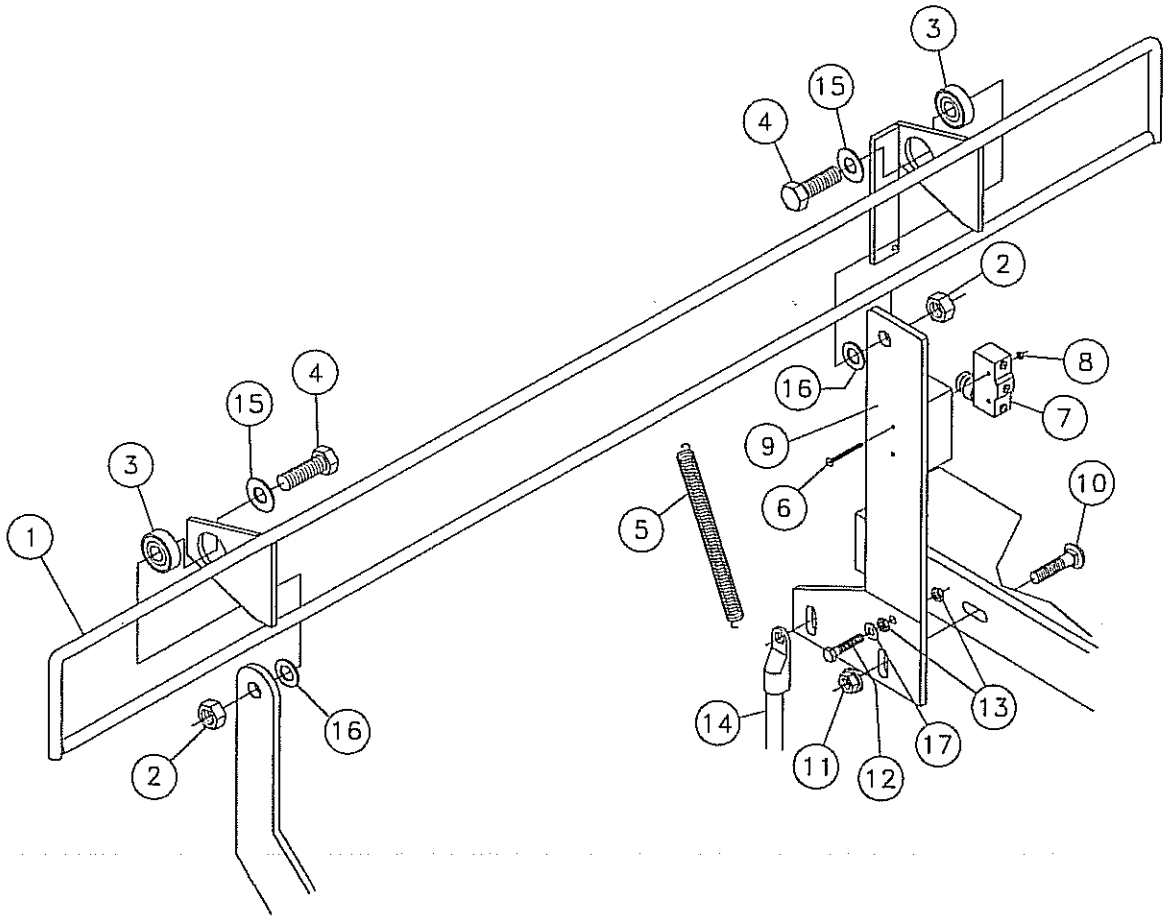
Figure 4-2



<u>REF. NO.</u>	<u>PART NO.</u>	<u>DESCRIPTION</u>	<u>QTY.</u>
4-2	1	905225-001 CONTROL HANDLE	1
4-2	2	231181-001 CONTROL ASSY. - SEAT MOUNT (INC. SHRINK TUBE)	1
		208065-007 SHRINK TUBE-3/4" X 11 1/4"	1
4-2	3	7000A-036 DECAL-CONTROLS	1
4-2	4	1489-001 BALL JOINT - 1/4" SP1002 CP	2
4-2	5	204747-009 ROD-1/4"NF THRD-6.00	1
4-2	6	510-035 PIN-3/32 X 1/2 COTTER	5
4-2	7	4333-003 LINK (INC. REF. 8)	2
4-2	8	4333-005 PLATE-LINK	2
4-2	9	2110-003 PIN-CLEVIS 1/4X7/8 - 47/64 UL	1
4-2	10	236103-001 ARM-VALVE	1
4-2	11	1500-005 SET COLLAR - 5/8 PLATED	2
4-2	12	209-017 BUSHING-NYLINER 5/8ID X 5/8	2
4-2	13	14881-001 NUT-1/4-28 NF HEX JAM	2
4-2	14	598-001 ZERK-1/4" NF ST GREASE	1
4-2	15	236104-001 BAR-ARM PIVOT	1

SAFETY BAR ASSEMBLY

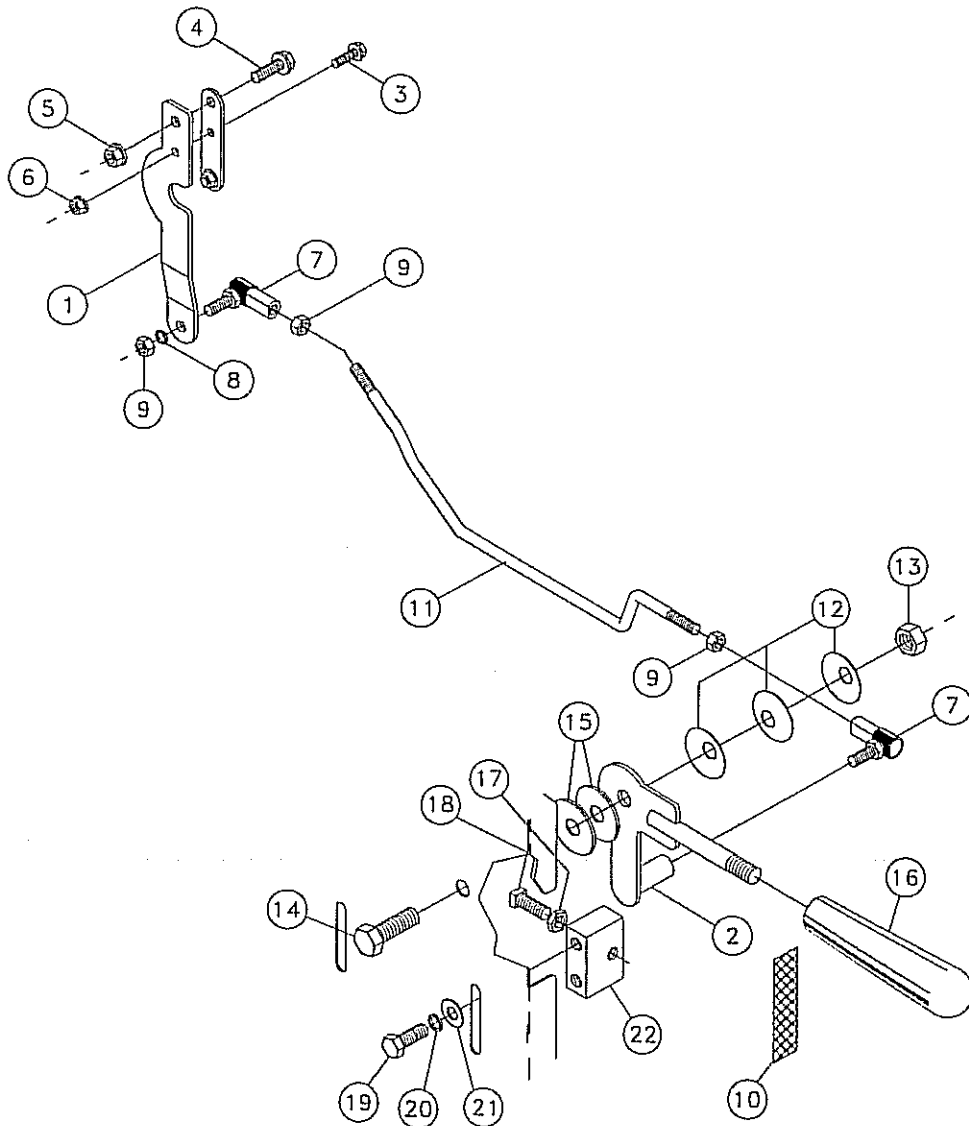
Figure 4-3



REF. NO.	PART NO.	DESCRIPTION	QTY.
4-3	1	217885-001 BAR-SAFETY	1
4-3	2	423-001 NUT-1/2 NC SLTL UTB	2
4-3	3	1745-001 BRG. DS 1616 1/2"	2
4-3	4	358-014 BOLT-1/2-13X1 1/2"GRADE#5 HEX	2
4-3	5	1789-009 SPRING - EXTENSION 5"	1
4-3	6	93831-001 BOLT-6-32UNCX1 1/4 STOVE	2
4-3	7	219154-001 SWITCH-15A SCWT .047"PT WTRPRF	1
4-3	8	69757-001 LOCKNUT-#6-32 NYLON INSERT PLT	2
4-3	9	229256-001 MOUNT- SAFETY SWITCH	1
4-3	10	375-012 3/8-16X1 1/4"GD#5CARRIAGE BOLT	2
4-3	11	4536-001 NUT - 3/8-16 FLG. WHIZ LOCK	2
4-3	12	350-012 1/4-20X1 1/4IN.GRADE#5HEX BOLT	1
4-3	13	402-001 NUT-1/4 NC HEX JAM	2
4-3	14	219380-001 STRAP-GROUND 4 GA.X12'	1
4-3	15	480-011 WASHER-1/2 S/T LOCK	2
4-3	16	4542-005 WSHR-7/8OD X1/2ID X18 GA MB	2
4-3	17	485-001 WASHER-1/4" FLAT	1

THROTTLE LEVER ASSEMBLY

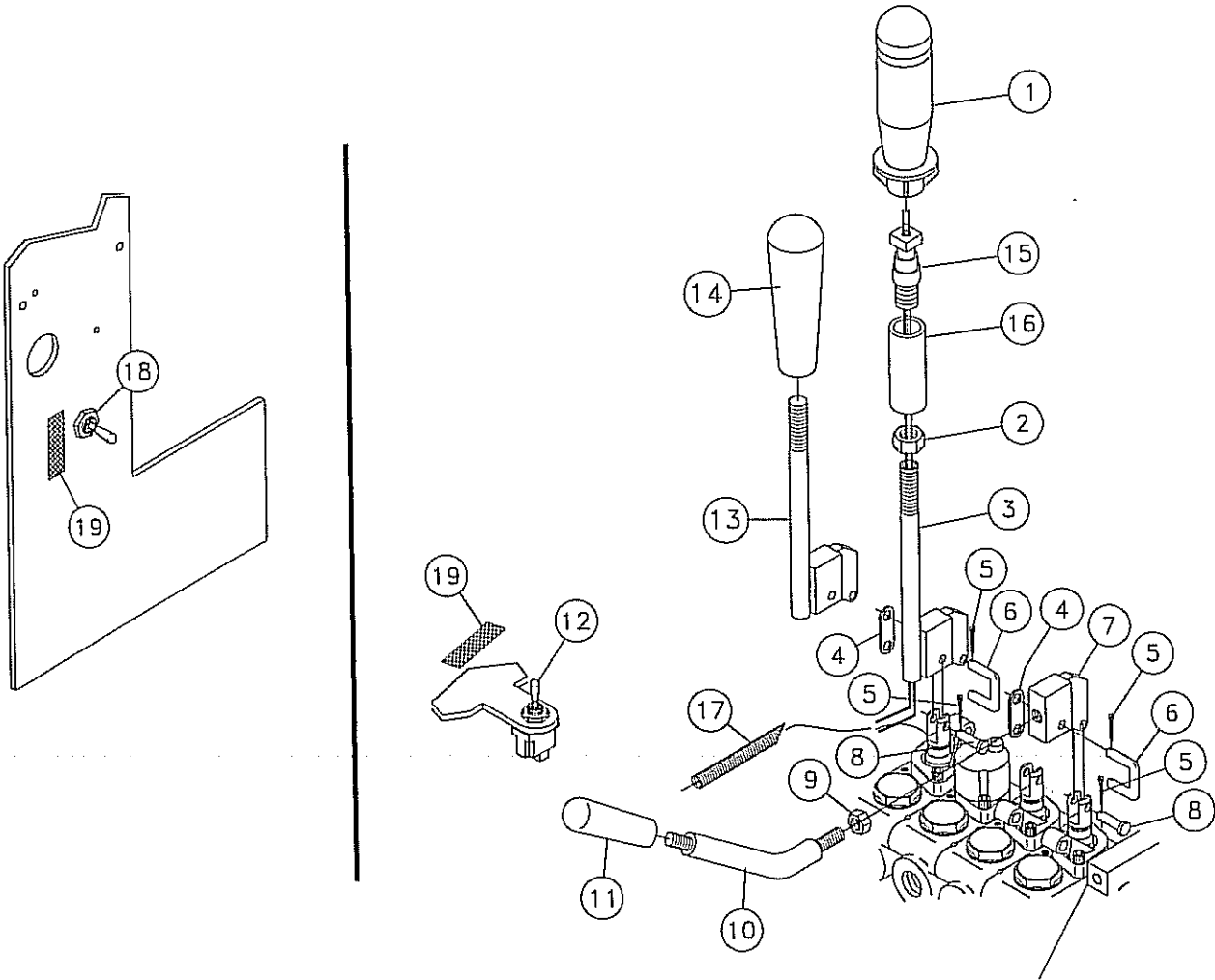
Figure 4-4



REF. NO.	PART NO.	DESCRIPTION	QTY.	REF. NO.	PART NO.	DESCRIPTION	QTY.		
4-4	1	217956-001	PLATE-THROTTLE ARM	1	4-4	12	63471-001	WASHER-SPRING 1/2"IDX.070	3
4-4	2	227147-001	ARM-THROTTLE	1	4-4	13	423-001	NUT-1/2 NC SLTL UTB	1
4-4	3	4473-006	BOLT-1/4-20X3/4 FLG WHIZ	1	4-4	14	358-014	BOLT-1/2-13X1 1/2"GRADE#5 HEX	1
4-4	4	4474-006	BOLT-5/16-18X3/4 FLANGE WHIZ	1	4-4	15	67892-001	DISC-THROTTLE FRICTION	2
4-4	5	1809-007	NUT - 5/16-18 SM.FLGE.T.L.	1	4-4	16	905225-001	CONTROL HANDLE	1
4-4	6	1809-005	NUT-1/4 SM FLGE T.L.	1	4-4	17	413-001	NUT-3/8 NC HEX JAM	2
4-4	7	4153-001	BALL JOINT - 5/16 SUPERIOR	2	4-4	18	549-012	SQ HSS-3/8-16X1 1/4	2
4-4	8	480-005	WASHER-5/16 S/T LOCK	1	4-4	19	354-010	BOLT-3/8-16X1" GRADE#5 HEX	4
4-4	9	445-001	NUT-5/16 NF HEX	3	4-4	20	480-007	WASHER-3/8 S/T LOCK	4
4-4	10	7000A-087	DECAL-THROTTLE (UNDERGROUND)	2	4-4	21	485-007	WASHER-3/8 FLAT	4
4-4	11	229275-001	ROD-THROTTLE	1	4-4	22	219436-001	BAR-STOP	2

CONTROL VALVE HANDLE ASSEMBLY

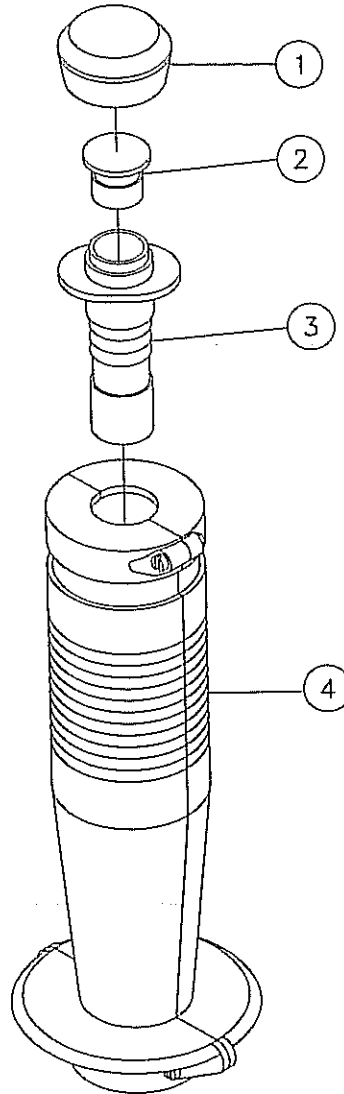
Figure 4-5



REF. NO.	PART NO.	DESCRIPTION	QTY.	REF. NO.	PART NO.	DESCRIPTION	QTY.
4-5	1	216780-001 HANDLE ASSY-CONTROL (BREAKDOWN FIG. 4-6)	1	4-5	11	208065-005 SHRINK TUBE (3/4" X 4 1/2")	1
4-5	2	452-001 NUT-5/16-18 NF HEX	1	4-5	12	208696-001 HANDLE-VALVE CONTROL	2
4-5	3	219301-001 HANDLE-CONTROL	1	4-5	13	67292-001 SWITCH-TOGGLE 8500K9 SEALED	1
4-5	4	4333-005 PLATE-LINK	3	4-5	14	219362-001 HANDLE-CONTROL	1
4-5	5	510-035 PIN-3/32 X 1/2 COTTER	9	4-5	15	905225-001 CONTROL HANDLE	1
4-5	6	4333-003 LINK-	3	4-5	16	216293-001 ROD-JOYSTICK	1
4-5	7	93641-001 BRACKET-HANDLE MOUNT	2	4-5	17	216295-001 TUBE-EXTENSION	1
4-5	8	2110-003 PIN-CLEVIS 1/4X7/8 - 47/64 UL	3	4-5	18	89675-001 SHRINK TUBE HSTT.375-TR (SPECIFY LENGTH)	1
4-5	9	412-001 NUT-3/8 NC HEX	2	4-5	19	86580-001 SWITCH-DPST ON-ON	1
4-5	10	231182-001 ROD ASSY.-VALVE HANDLE (INC. SHRINK TUBE)	1	4-5	19	7000A-034 DECAL-WATER PUMP	2

CONTROL HANDLE COMPONENTS

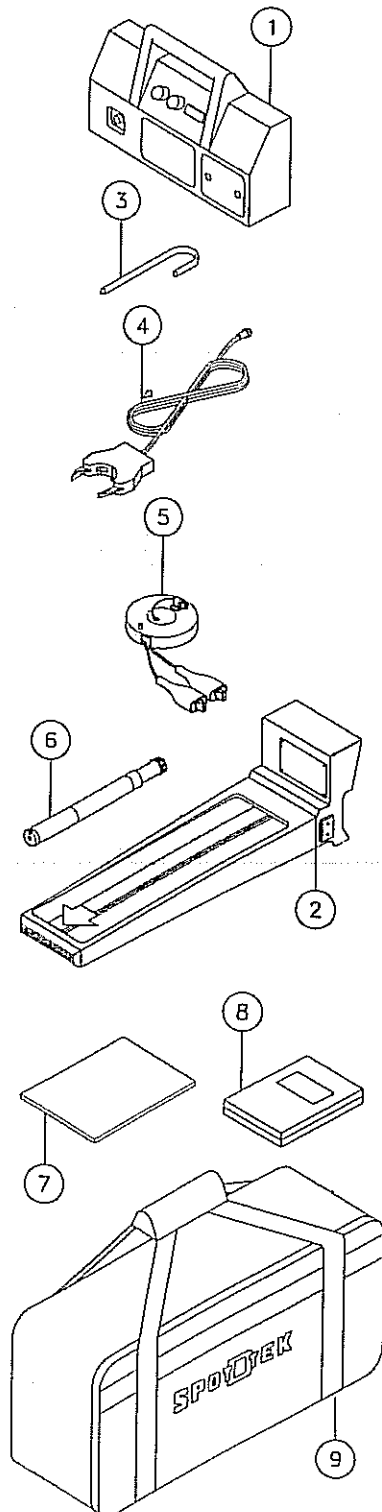
Figure 4-6



<u>REF. NO.</u>	<u>PART NO.</u>	<u>DESCRIPTION</u>	<u>QTY.</u>
4-6 1	216780-009	BOOT-RUBBER (RED)	1
4-6 2	216780-007	ACTUATOR-BLACK SWITCH	1
4-6 3	216780-005	SWITCH-SPDT	1
4-6 4	216780-003	HANDLE ASSY	1
	216780-001	HANDLE ASSY-CONTROL (INC. REF. 1-4)	

LOCATION PACKAGE, SPOT D TEK II.2 UTILITY

Figure 5-1



REF. NO.	PART NO.	DESCRIPTION	QTY.
5-1	1	213900-003 TRANSMITTER FOR SPOT D TEK II	1
		213900-019 SUNSCREEN FOR TRANSMITTER	1
5-1	2	215941-001 RECEIVER II.2	1
5-1	3	213900-013 GROUND STAKE-SPOT D TEK II	1
5-1	4	213900-007 EXTERNAL COIL - SPOT D TEK II	1
5-1	5	213900-015 DIRECT CONNECTION CABLE	1
5-1	6	215942-001 DIR. PROBE II.2 W/ BATTERIES	1
5-1	7	215938-003 OPERATIONAL MANUAL	1
5-1	8	213900-021 VIDEO TAPE	1
5-1	9	213900-009 CASE FOR SPOT D TEK II	1

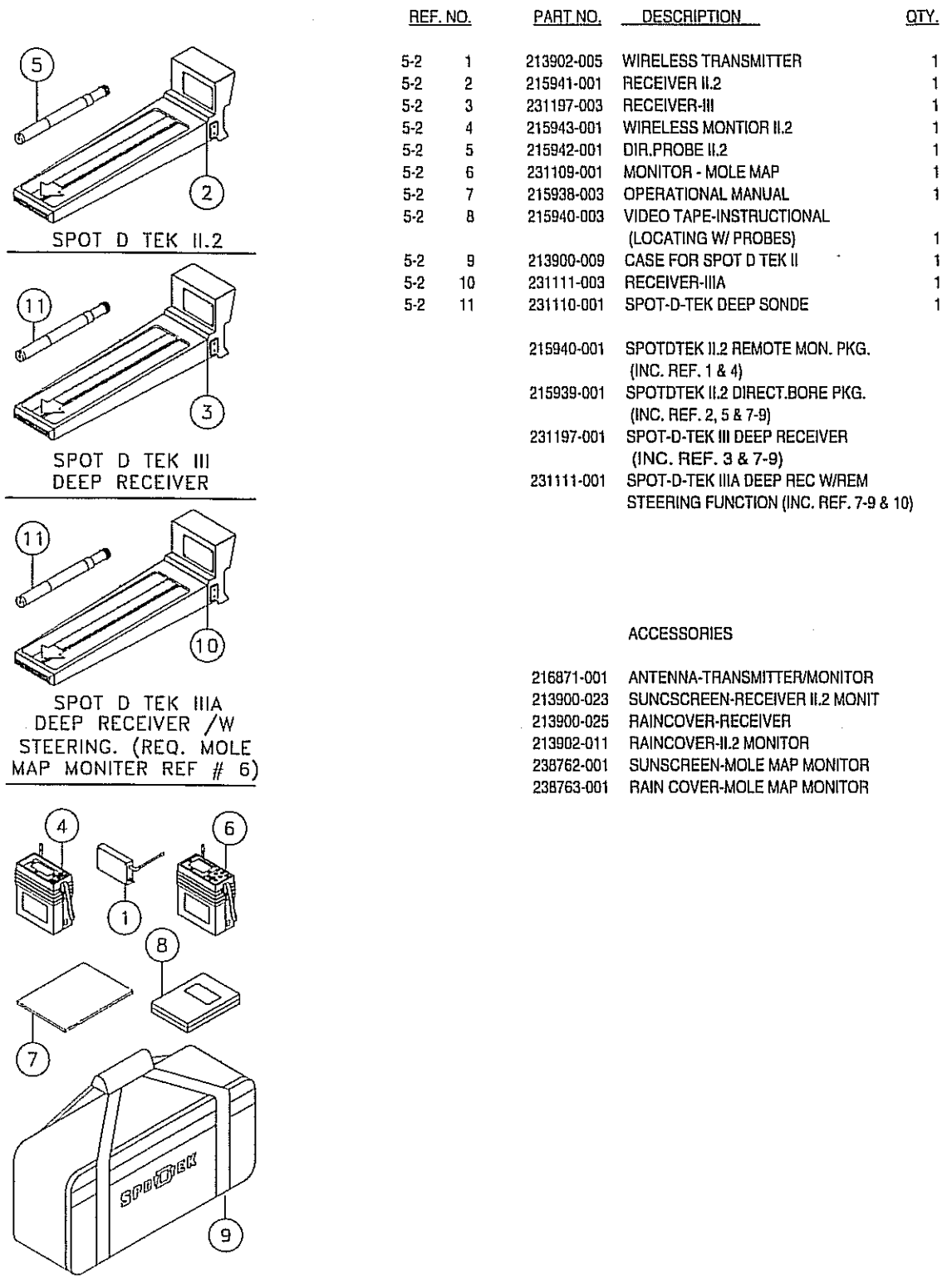
215938-001 SPOT D TEK II.2 UTILITY LOC. PCK
(INC. REF. 1-9)

ACCESSORIES

213900-023	SUNSCREEN-RECEIVER/II.2 MONITOR
213900-025	RAINCOVER-RECEIVER

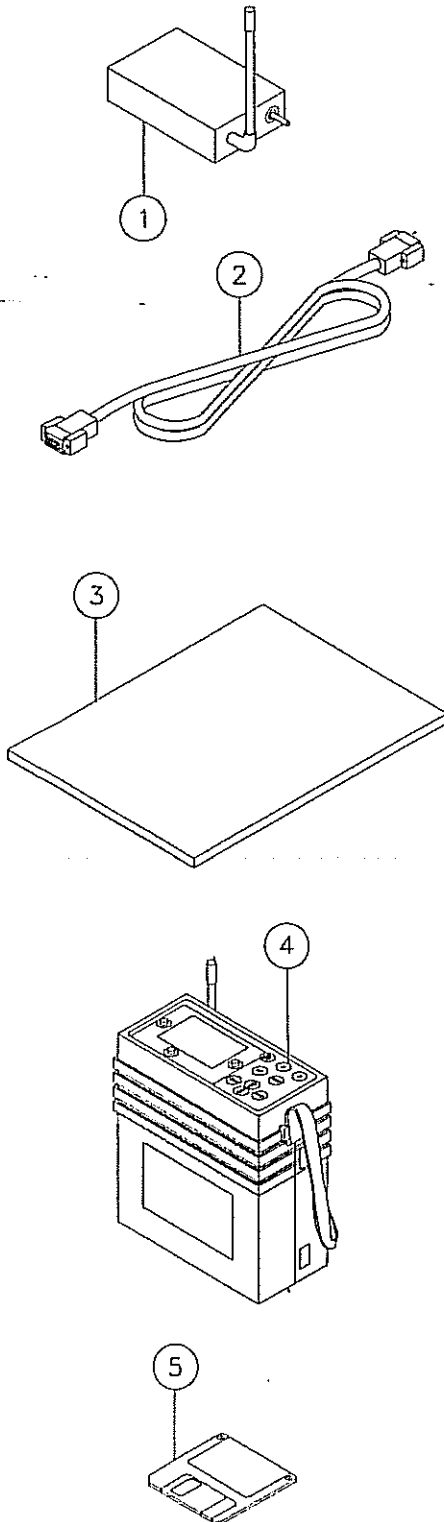
LOCATION PACKAGE, SPOT D TEK II.2, III & IIIA

Figure 5-2



LOCATION PACKAGE, SPOT D TEK MOLE MAPPING SYSTEM

Figure 5-3



<u>REF. NO.</u>	<u>PART NO.</u>	<u>DESCRIPTION</u>	<u>QTY.</u>
5-3	1	213902-005 WIRELESS TRANSMITTER (INC. REF. 3)	1
5-3	2	231109-005 COMPUTER CORD	1
5-3	3	231109-007 OPERATIONAL MANUAL	1
5-3	4	231109-001 MONITOR-MOLE MAP	1
5-3	5	231109-003 MAPPING SOFTWARE REPLACE DISK	1
	231113-001	MAPPING SYSTEM COMPLETE (INC. REF. 1-5)	

ACCESSORIES

238763-001	RAIN COVER-MOLE MAP MONITOR
238762-001	SUNSCREEN-MOLE MAP MONITOR
216871-001	ANTENNA-TRANSMITTER/MONITOR

.....

.....

.....

.....

.....

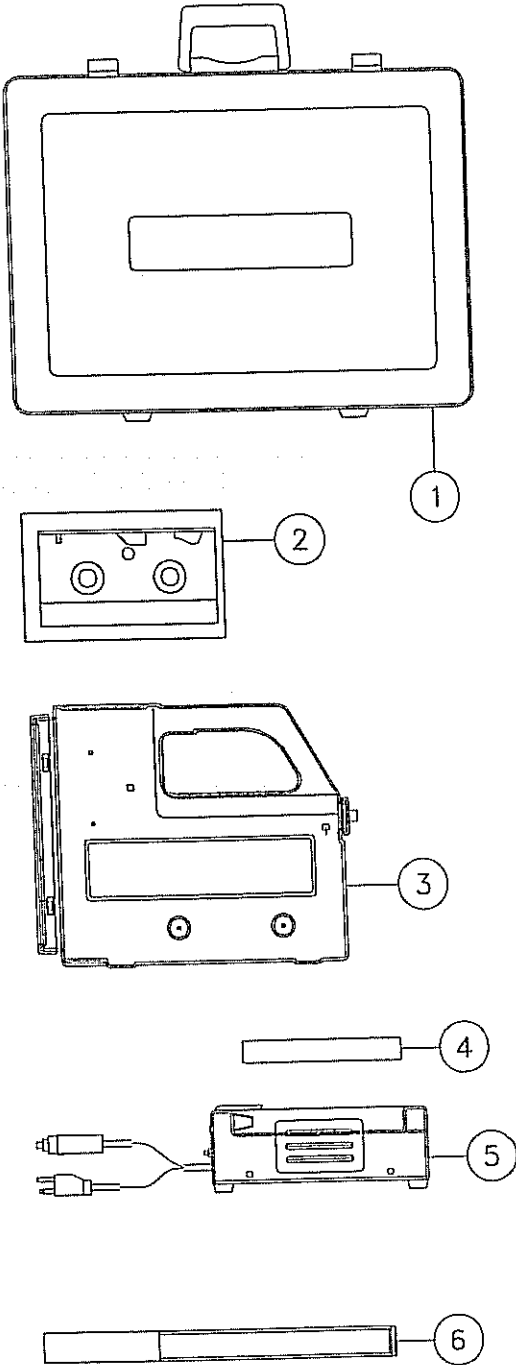
.....

.....

LOCATION PACKAGE, MARK III - DIGITRAK - DOMESTIC AND INTERNATIONAL

Figure 6-1

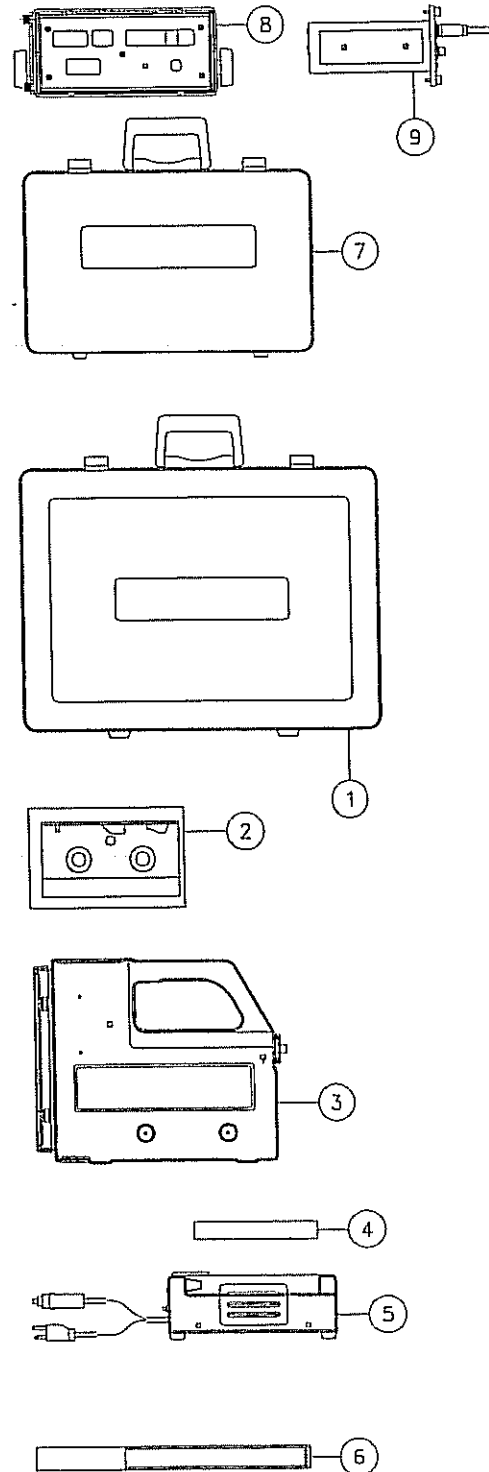
REF. NO.	PART NO.	DESCRIPTION	QTY.
6-1	1	213389-011 DIGITRAK CARRYING CASE	1
6-1	2	231990-001 DIGITRAK OP. MAN. TRAIN VIDEO	1
6-1	3	231991-001 DIGITRAK RECEIVER-ENGLISH/METR	1
6-1	4	213389-009 DIGITRAK BATTERY PACK	2
6-1	5	213389-007 DIGITRAK SMART CHARGER115/230V	1
6-1	6	221806-001 SONDE-15' BLUE	1
		221643-001 SONDE-50' RED	1
		213086-001 O-RING #122	3
		213389-005 SONDE-30' YELLOW	1
	231212-001	DIGITRAK STD.LOCATOR(US/CAN) (INC. REF. 1-5)	



LOCATION PACKAGE, MARK III - DIGITRAK (W/ REMOTE DISPLAY) DOMESTIC

Figure 6-2

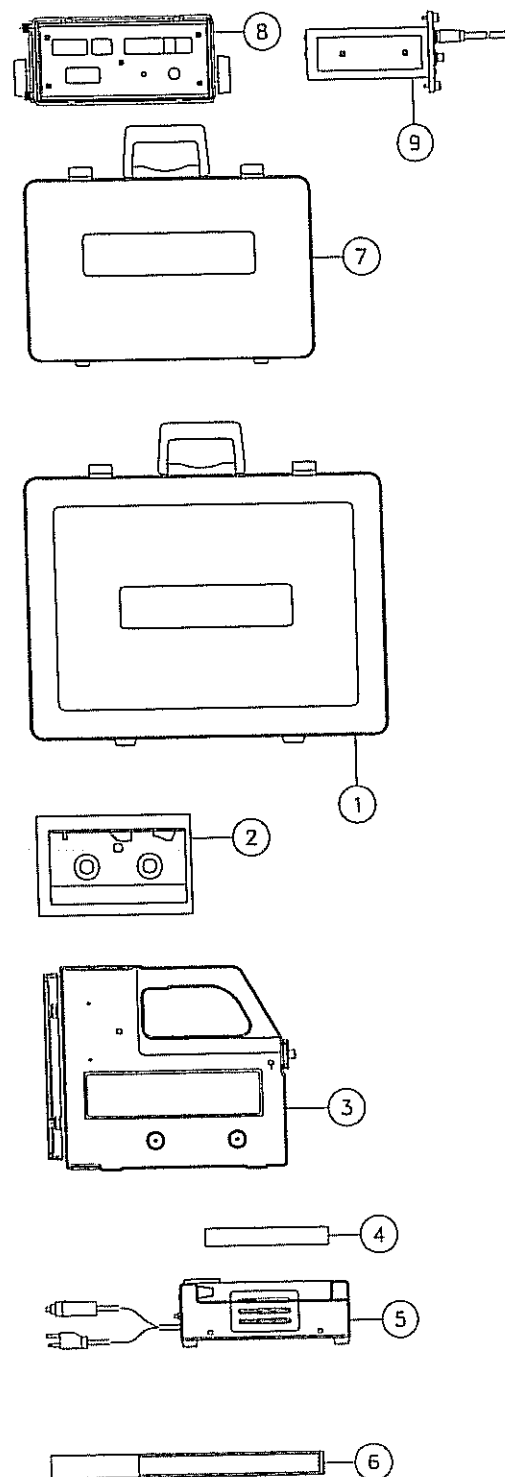
REF. NO.	PART NO.	DESCRIPTION	QTY. STD.	CABLE SONDE
6-2	1	213389-011	1	1
6-2	2	231990-001	1	1
6-2	3	231992-001	1	1
6-2	4	213389-009	2	-
6-2	5	213389-007	1	-
6-2	6	221806-001	1	-
		221643-001	1	-
		226197-001	1	-
		226200-001	-	1
		226199-001	-	1
		213086-001	3	3
		213389-005	1	-
6-2	7	221658-001	1	1
6-2	8	231993-001	1	1
		231994-001	-	1
6-2	9	226195-001	-	1
		231218-001		
		(INC. REF. 1-5, 7 & 8)		
		231221-001		
		(INC. REF. 1-3 & 7-9)		



LOCATION PACKAGE, MARK III - DIGITRAK (W/ REMOTE DISPLAY) INTERNATIONAL

Figure 6-3

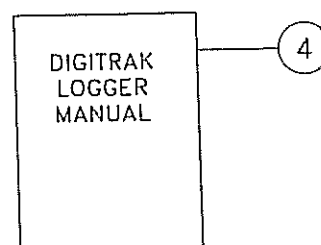
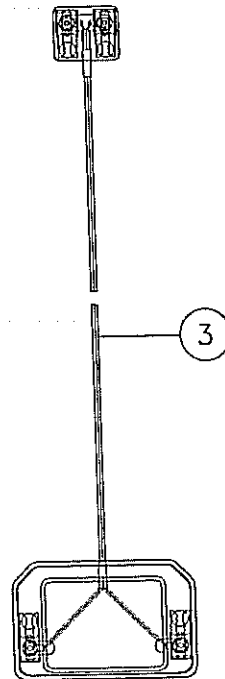
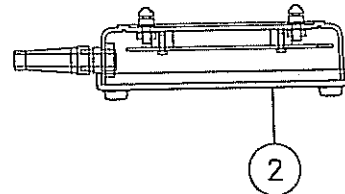
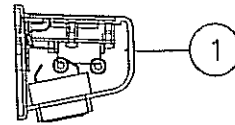
REF. NO.	PART NO.	DESCRIPTION	QTY. STD.	CABLE SONDE
6-3	1	213389-011	1	1
6-3	2	231990-001	1	1
6-3	3	231995-001	1	1
		231996-001	1	1
6-3	4	213389-009	2	-
6-3	5	213389-007	1	-
6-3	6	221806-001	1	-
		221643-001	1	-
		226197-001	1	-
		226200-001	-	1
		226199-001	-	1
		213086-001	3	3
		213389-005	1	-
6-3	7	221658-001	1	1
6-3	8	231997-001	1	-
		231998-001	1	-
		231999-001	1	-
		238750-001	1	1
6-3	9	226195-001	1	-
		231219-001		
		DCI REMOTE LOCATOR SYS (AU)		
		(INC. REF. 1-5, 7 & 8)		
		231222-001		
		DCI REM CABLE SONDE SYS (AU)		
		(INC. REF. 1-3 & 7-9)		
		231220-001		
		DCI REMOTE LOCATOR SYS (UK)		
		(INC. REF. 1-5, 7 & 8)		
		231223-001		
		DCI REM CABLE SONDE SYS (UK)		
		(INC. REF. 1-3 & 7-9)		



DATA LOGGER, MARK III - DIGITRAK

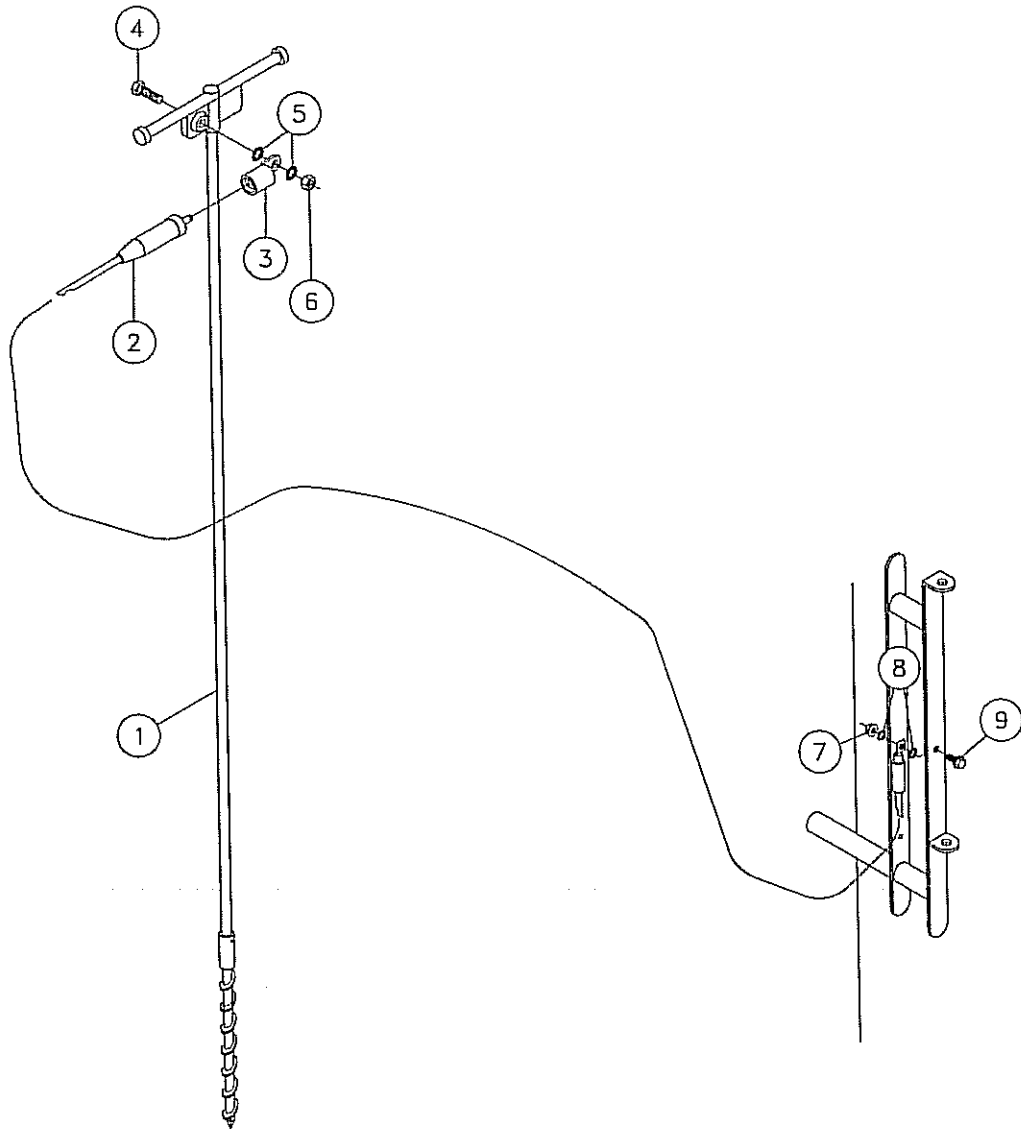
Figure 6-4

<u>REF. NO.</u>	<u>PART NO.</u>	<u>DESCRIPTION</u>	<u>QTY.</u>
6-4	1	231224-001 DATA LOGGER MODULE	1
6-4	2	231228-001 DATA-LOG/PC INTERFACE	1
6-4	3	238751-001 DATA LOG REAL TIME CABLE	1
6-4	4	238752-001 DIGITRAK LOGGER MANUAL	1



GROUND STAKE ASSEMBLY - T-HANDLE

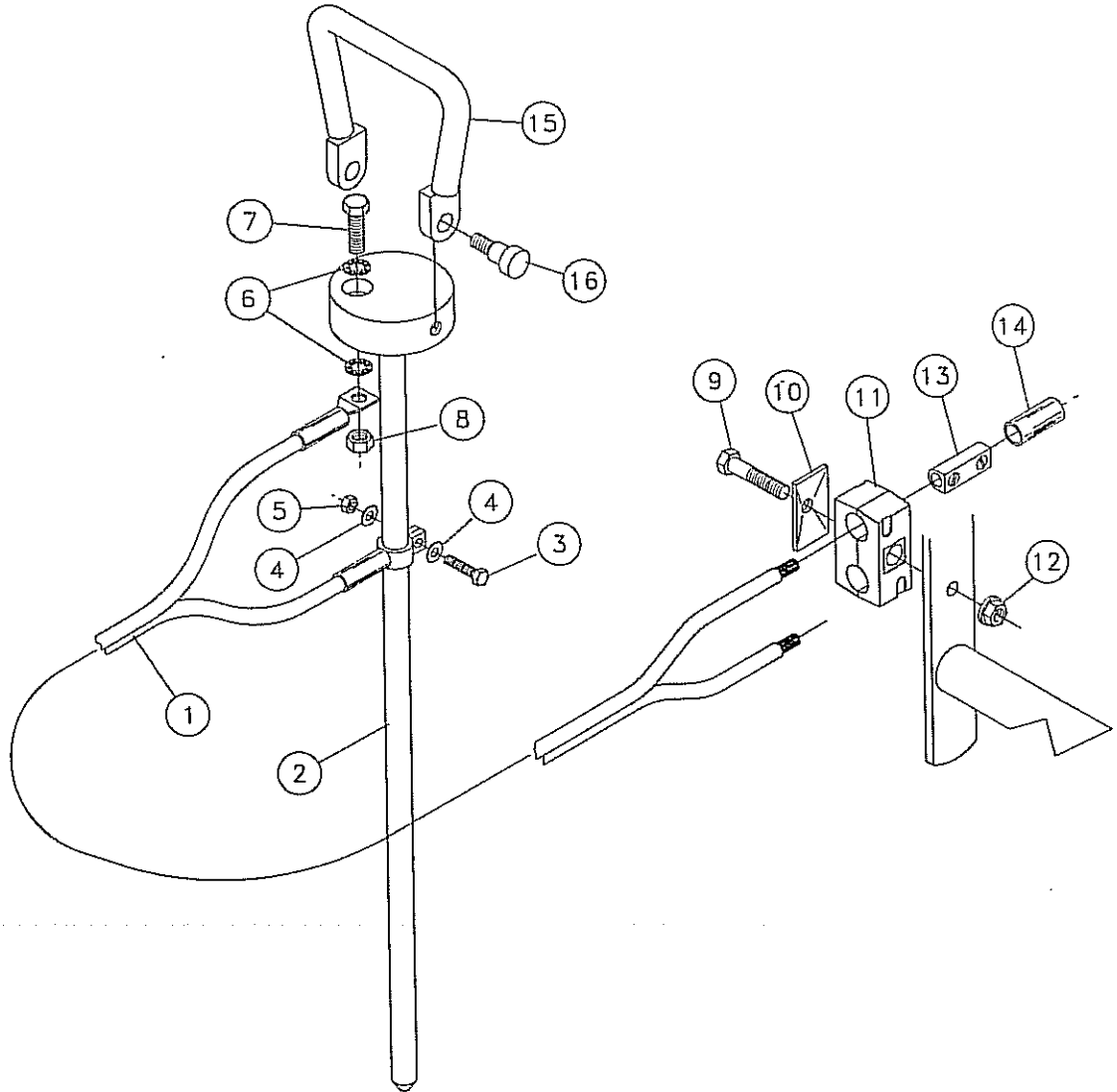
Figure 7-1



REF. NO.	PART NO.	DESCRIPTION	QTY.
7-1	1	904546-001 STAKE-T-HANDLE GROUND	1
7-1	2	229285-001 GROUND CORD ASSY	1
7-1	3	904731-001 TWECO FEMALE TERMINAL	1
7-1	4	57867-012 1/2-13X1 1/4 GR5 HEX BOLT NP	1
7-1	5	482-003 WASHER-1/2 INT STAR	2
7-1	6	423-001 NUT-1/2 NC SLTL UTB	1
7-1	7	4536-001 NUT - 3/8-16 FLG. WHIZ LOCK	1
7-1	8	482-001 WASHER-3/8 INT STAR	2
7-1	9	4475-006 BOLT-3/8-16X3/4 FLG WHIZ	1

VOLTAGE STAKE ASSEMBLY

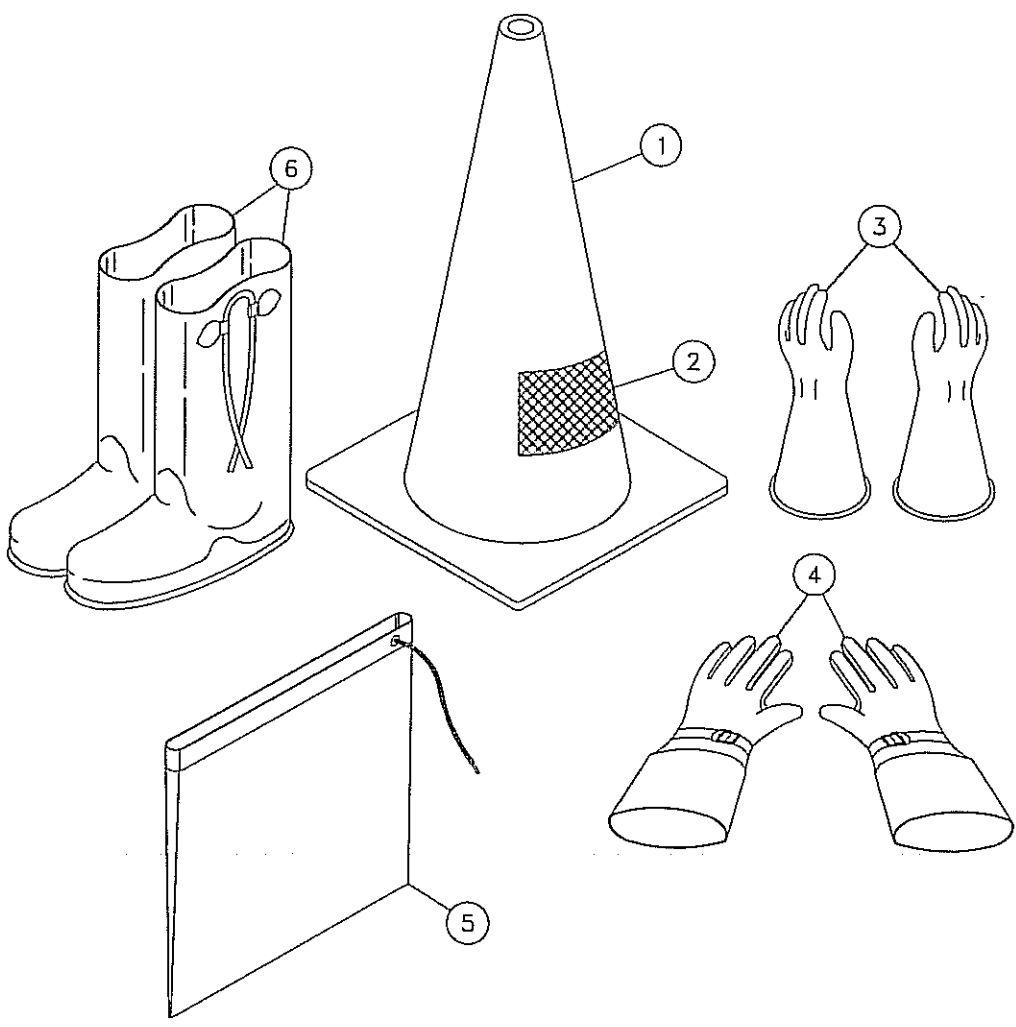
Figure 7-2



REF. NO.	PART NO.	DESCRIPTION	QTY.
7-2	1	217967-001 CORD ASSY - VOLTAGE STAKE	1
7-2	2	234167-001 VOLTAGE STAKE	1
7-2	3	350-010 1/4-20 X 1" GRADE #5 HEX BOLT	1
7-2	4	485-003 WASHER-1/4 FLAT	2
7-2	5	401-001 NUT-1/4 NC HEX	1
7-2	6	482-001 WASHER-3/8 INT STAR	2
7-2	7	354-012 BOLT-3/8 - 16X 1 1/4" GR5 HEX	1
7-2	8	412-001 NUT-3/8 NC HEX	1
7-2	9	351-016 BOLT-5/16-18X1 3/4" GRADE#5 HEX	1
7-2	10	67846-003 PLATE-TWIN COVER	1
7-2	11	900035-005 CLAMP-3/8" DOUBLE HOSE	1
7-2	12	408-001 NUT-5/16 NC FLG WHIZ LOCK	1
7-2	13	904355-001 CONNECTOR	2
7-2	14	208065-001 SHRINK TUBE-3/4ID COMMERCIAL GRD (SPECIFY LENGTH)	2
7-2	15	234164-001 HANDLE-VOLTAGE STAKE	1
7-2	16	98035-001 BOLT-1/2"X1/2" SOCKET SHOULDER	2

SAFETY FEATURES - GLOVES, BOOTS, CONES

Figure 7-3

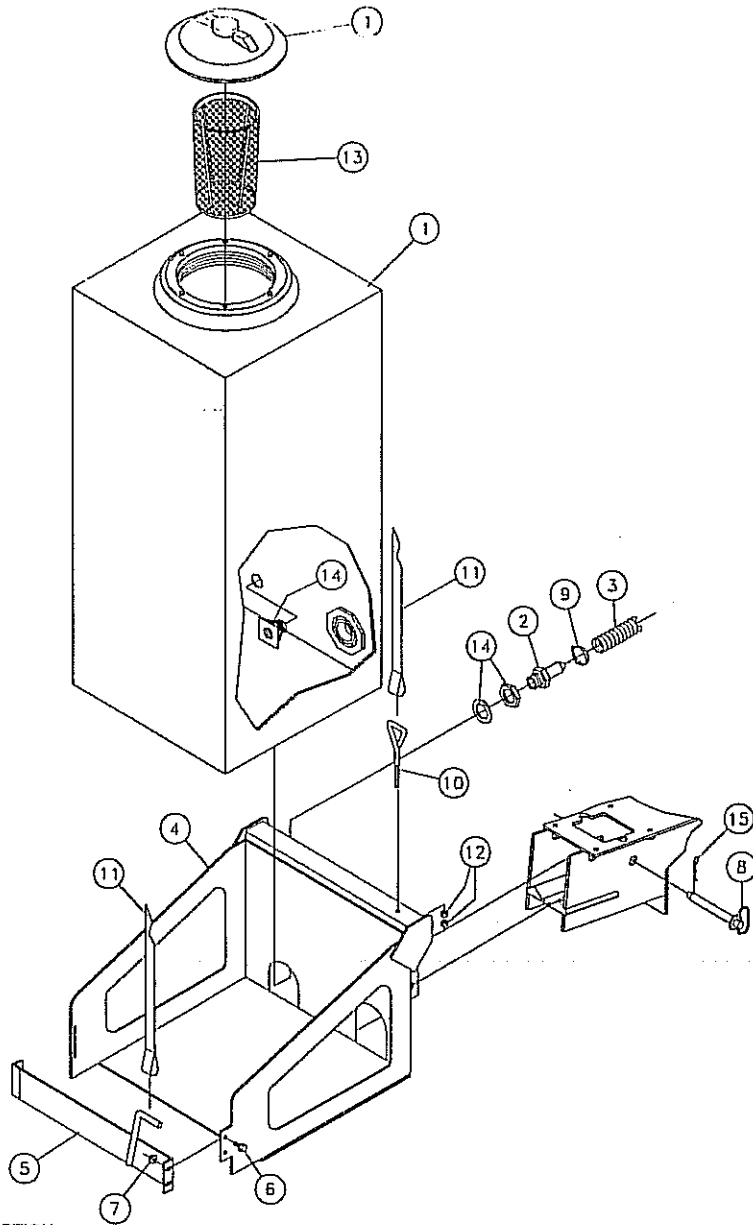


<u>REF. NO.</u>	<u>PART NO.</u>	<u>DESCRIPTION</u>	<u>QTY.</u>	<u>REF. NO.</u>	<u>PART NO.</u>	<u>DESCRIPTION</u>	<u>QTY.</u>
7-3	1	904541-001 CONES-ORANGE PVC	4			GLOVES & 1 GLOVE BAG REF. 5)	1
7-3	2	70000-530 DECAL-DANGER	4			210785-001 GLOVE KIT-SIZE 10 (INC. 1 PAIR OF RUBBER GLOVES, 1 PAIR OF LEATHER GLOVES & 1 GLOVE BAG REF. 5)	1
		70001-530 DECAL-WARNING (INTERNATIONAL)	4			224990-001 GLOVE KIT-SIZE 11 (INC. 1 PAIR OF RUBBER GLOVES, 1 PAIR OF LEATHER GLOVES & 1 GLOVE BAG REF. 5)	1
7-3	3	210782-001 GLOVES-SIZE 9 RUBBER INSULATE	1 pair			224991-001 GLOVE KIT-SIZE 12 (INC. 1 PAIR OF RUBBER GLOVES, 1 PAIR OF LEATHER GLOVES & 1 GLOVE BAG REF. 5)	1
		210782-005 GLOVES-SIZE 9 1/2 RUBBER INSUL	1 pair			7-3	5
		210782-003 GLOVES-SIZE 10 RUBBER INSULATE	1 pair			210784-001 BAG-GLOVE	1
		210782-007 GLOVE-SIZE 11 RUBBER INSULATED	1 pair			7-3	6
		210782-009 GLOVE-SIZE 12 RUBBER INSULATED	1 pair			210780-009 BOOTS-SIZE 9 OVER-THE-SHOE	1 pair
7-3	4	210783-001 GLOVES-SIZE 9 LEATHER PROTECT	1 pair			210780-001 BOOTS-SIZE 10 OVER-THE-SHOE	1 pair
		210783-005 GLOVES SIZE 9 1/2 LEATHER PROT	1 pair			210780-003 BOOTS-SIZE 11 OVER-THE-SHOE	1 pair
		210783-003 GLOVES-SIZE 10 LEATHER PROTECT	1 pair			210780-005 BOOTS-SIZE 12 OVER-THE-SHOE	1 pair
		210783-007 GLOVE-SIZE 11 LEATHER PROTECT	1 pair			210780-007 BOOTS-SIZE 13 OVER-THE-SHOE	1 pair
		210783-009 GLOVE-SIZE 12 LEATHER PROTECT	1 pair			210780-011 BOOTS-SIZE 14 OVER-THE-SHOE	1 pair
		210781-001 GLOVE KIT-SIZE 9 (INC. 1 PAIR OF RUBBER GLOVES, 1 PAIR OF LEATHER GLOVES & 1 GLOVE BAG REF. 5)	1			210780-013 BOOTS-SIZE 15 OVER-THE-SHOE	1 pair
		224979-001 GLOVE KIT-SIZE 9 1/2 (INC. 1 PAIR OF RUBBER GLOVES, 1 PAIR OF LEATHER					



WATER TANK ASSEMBLY

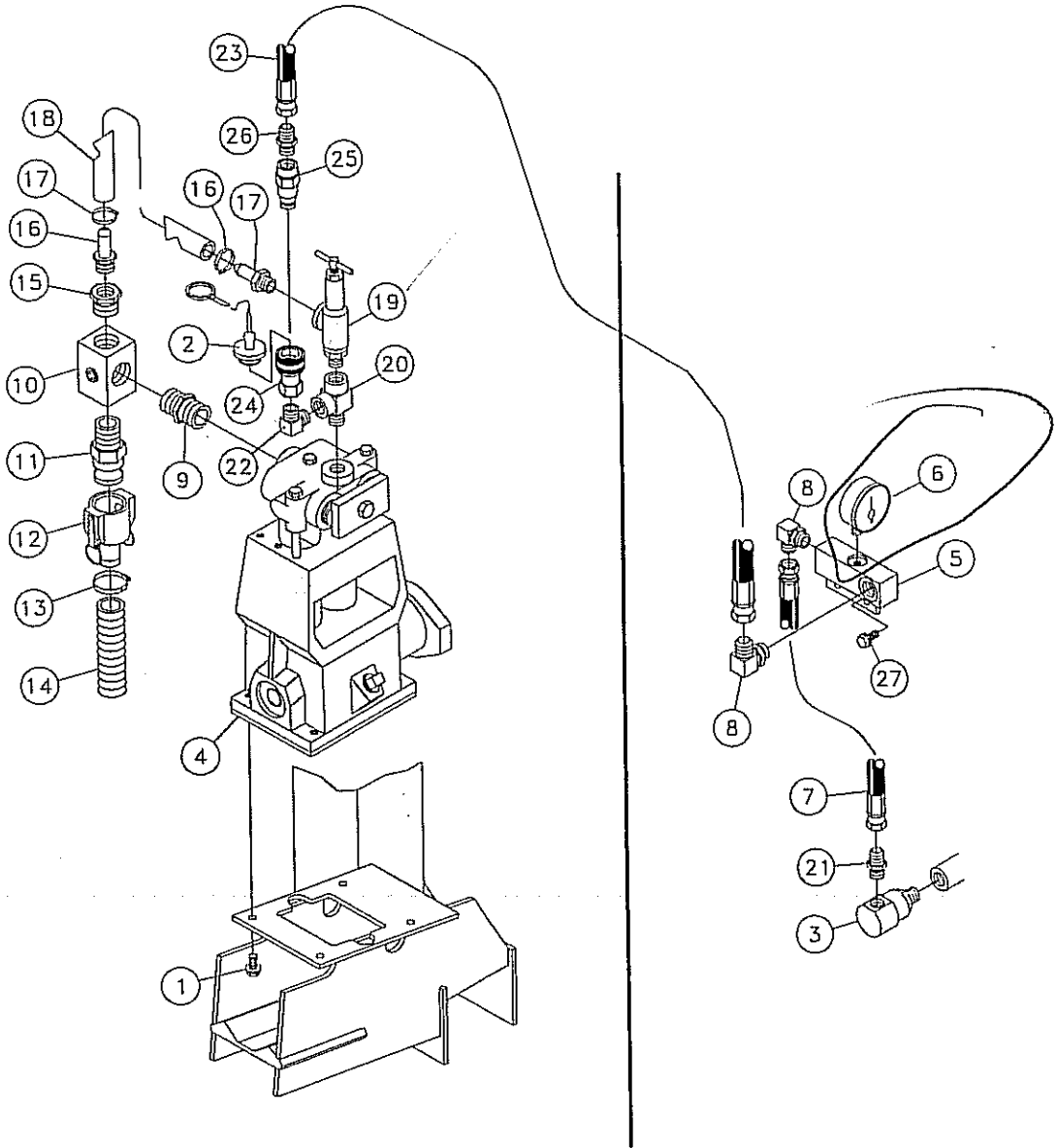
Figure 8-1



REF. NO.	PART NO.	DESCRIPTION	QTY.
8-1	1	236315-001 TANK-55 GALLON WATER (INC. REF. 13 & 14)	1
8-1	1	217221-005 LID-8" WATER TANK	1
8-1	2	219105-001 HOSE INSERT-1 X 1NPT (NYLON)	1
8-1	3	905429-003 HOSE-1X16 PVC SUCTION	1
8-1	4	236348-001 MOUNT-WATER TANK	1
8-1	5	236253-001 SUPPORT-TANK	1
8-1	6	4475-006 BOLT-3/8-16X3/4 FLG WHIZ	2
8-1	7	4536-001 NUT - 3/8-16 FLG. WHIZ LOCK	2
8-1	8	2107-007 PIN-HITCH 3/4 X 6	1
8-1	9	1580-007 HOSE CLAMP - 1 1/2"	1
8-1	10	903862-001 BOLT-WATER TANK HOLD DOWN	1
8-1	11	903837-001 STRAP-2 X 73.5 TANK	1
8-1	12	412-001 NUT-3/8 NC HEX	2
8-1	13	225854-001 STRAINER-BASKET	1
8-1	14	219110-005 1"BULKHEAD	1
8-1	15	1794-003 HAIR PIN COTTER - .148 WIRE	1

WATER PUMP ASSEMBLY

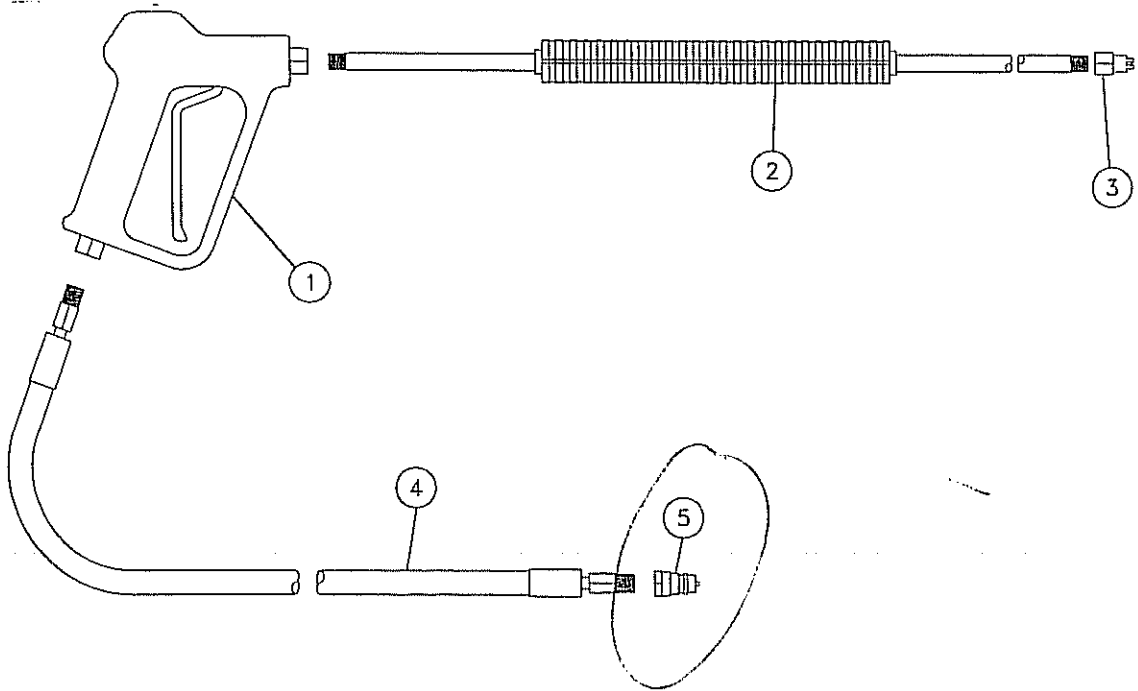
Figure 8-2



REF. NO.	PART NO.	DESCRIPTION	QTY.	REF. NO.	PART NO.	DESCRIPTION	QTY.
8-2	1	4475-010 BOLT-3/8-16X1 FLANGE WHIZ	4	8-2	14	905429-003 HOSE-1X16 PVC S/JUNCTION	1
8-2	2	234679-001 CAP-DUST	1	8-2	15	219115-001 BUSHING-1 X 1/2 REDUCER (POLY)	1
8-2	3	234744-001 FITTING-8M X 8F 90 DEG SWIVEL	1	8-2	16	66320-001 1/2MPTX1/2HB PLASTIC HOSE BARB	2
		234744-003 REPAIR KIT	1	8-2	17	1580-003 HOSE CLAMP - 3/4"	2
8-2	4	234680-001 PUMP-9 GPM WATER (BREAKDOWN FIG. 8-6, 8-7)	1	8-2	18	67355-055 HOSE 1/2' ID VINYL REINF.-8.00	1
8-2	5	229386-001 MOUNT-GAUGE	1	8-2	19	236295-001 VALVE-RELIEF (300 TO 700 PSI) (BREAKDOWN FIG. 8-5)	1
8-2	6	228166-001 GAUGE-PRESSURE 0-2000 PSI	1	8-2	20	94112-001 FITTING-1/2BCH X1/2MX1/2F TEE	1
8-2	7	53844-649 HOSE 1/2X8 1/2 BFSJICST 3000#	1	8-2	21	53824-001 FITTING-#8M O-RING-#8M JIC ST.	1
8-2	8	53837-001 #8M O-RING-#8M JIC 90 DEG.	2	8-2	22	904831-001 FITTING 1/2MNPT X 1/2MNPT 90	1
8-2	9	82492-001 FITTING-1*M NPTX1*M NPT NIPPLE	1	8-2	23	53844-169 HOSE-1/2X132 BFS JIC 3000 PSI	1
8-2	10	231102-001 BLOCK-MANIFOLD WATER PUMP	1	8-2	24	227235-001 COUPLER-1/2'NPT QUICK(FEMALE)	1
8-2	11	905432-001 FITTING-1*MALE THRD. CAM LOCK	1	8-2	25	227236-001 COUPLER-1/2' NPT QUICK(MALE)	1
8-2	12	905431-001 FITTING-1*FEMALE CAM LOCK	1	8-2	26	60922-001 1/2MX8M JIC ST.ADAPTER	1
8-2	13	1580-007 HOSE CLAMP - 1 1/2"	1	8-2	27	4475-006 BOLT-3/8-16X3/4 FLG WHIZ	2

WAND ASSEMBLY

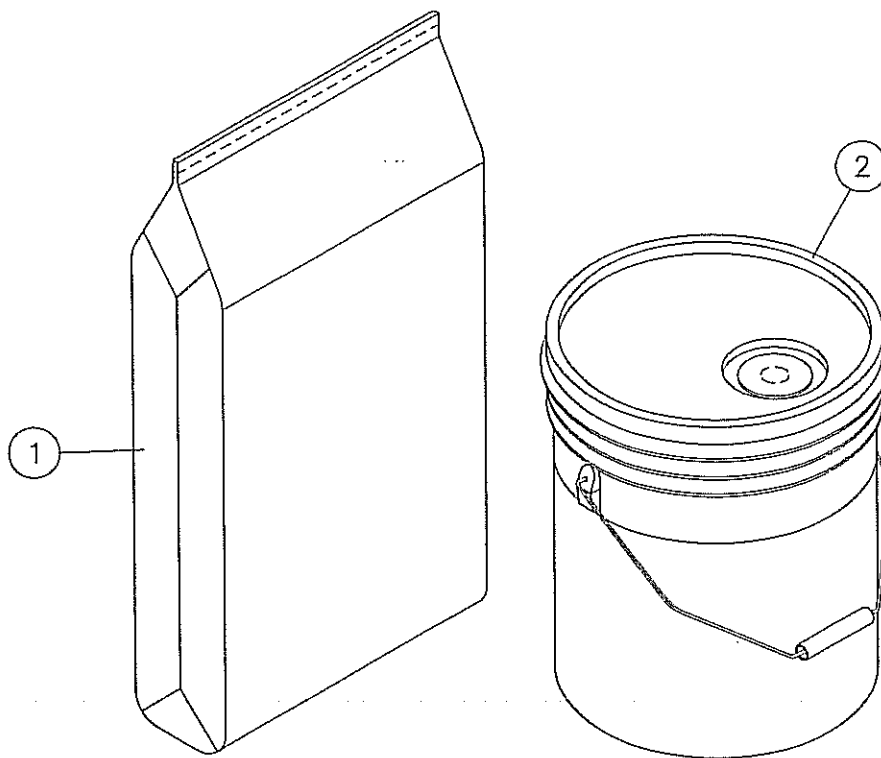
Figure 8-3



REF. NO.	PART NO.	DESCRIPTION	QTY.
8-3	1	904578-001 GUN HANDLE	1
8-3	2	904577-001 MOLDED LANCE	1
8-3	3	904576-001 SPRAY NOZZLE	1
8-3	4	57940-667 HOSE-3/8X192 3/8MS/1/2NPT3500	1
8-3	5	227236-001 COUPLER-1/2'MALE QUICK	1
	904829-001	WAND ASSEMBLY (INC. REF. 1-5)	

DRILL FLUID

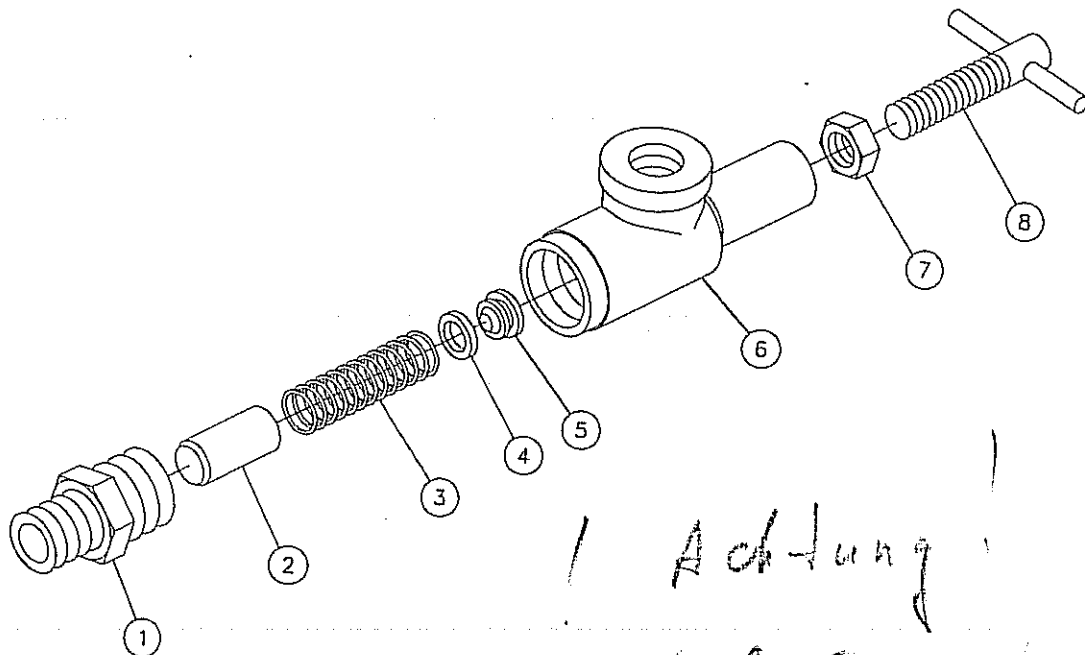
Figure 8-4



<u>REF. NO.</u>	<u>PART NO.</u>	<u>DESCRIPTION</u>	<u>QTY.</u>
B-4	1	904882-001 50LBS BAG QUICK GELL BENTONITE	1
		123596-001 BORE-GEL (50 LB BAG)	1
B-4	2	905216-001 POLYMER	1
		123595-001 EZ-MUD - 5 GALLON	1

RELIEF VALVE COMPONENTS

Figure 8-5



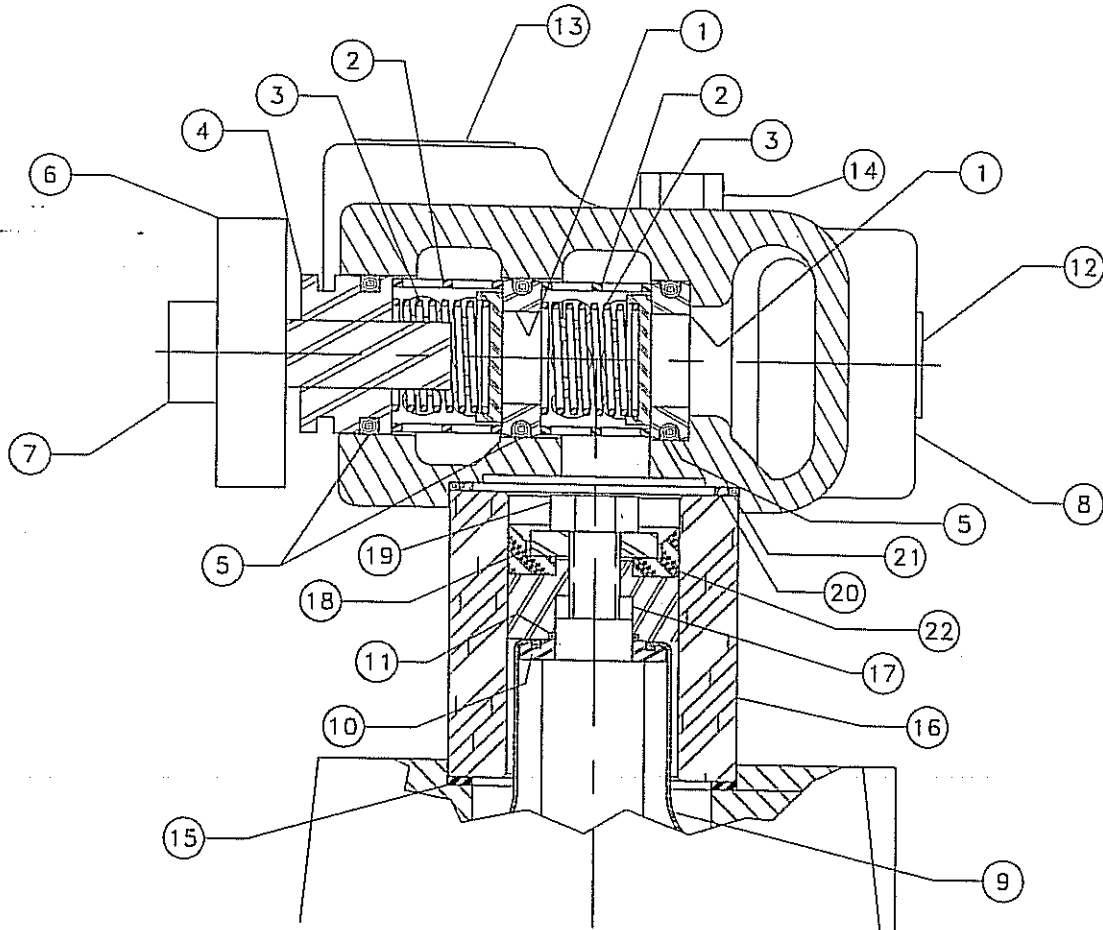
*! Achtung!
 N 6 obzornost
 uoccegolavet 66008*

REF. NO.	PART NO.	DESCRIPTION	QTY.
8-5	1	219124-003 ADJUSTING SCREW ASSY-BRASS	1
8-5	2	219124-005 LOCKNUT-BRASS	1
8-5	3	219124-007 BODY-BRASS	1
8-5	4	219124-009 SPRING RETAINER-BRASS	1
8-5	5	219124-011 GASKET-BUNA-N	1
8-5	6	219124-013 SPRING	1
8-5	7	236295-003 GUIDE SEAT	1
8-5	8	236295-005 INLET ADAPTER	1
	236295-001	VALVE-RELIEF (300 TO 700 PSI) (COMPLETE) (INC. REF. 1-8)	
	236295-007	KIT-SPARE PARTS (INC. REF. 4, 5, 6 & 7)	

WATER PUMP COMPONENTS (FLUID END)

Figure 8-6

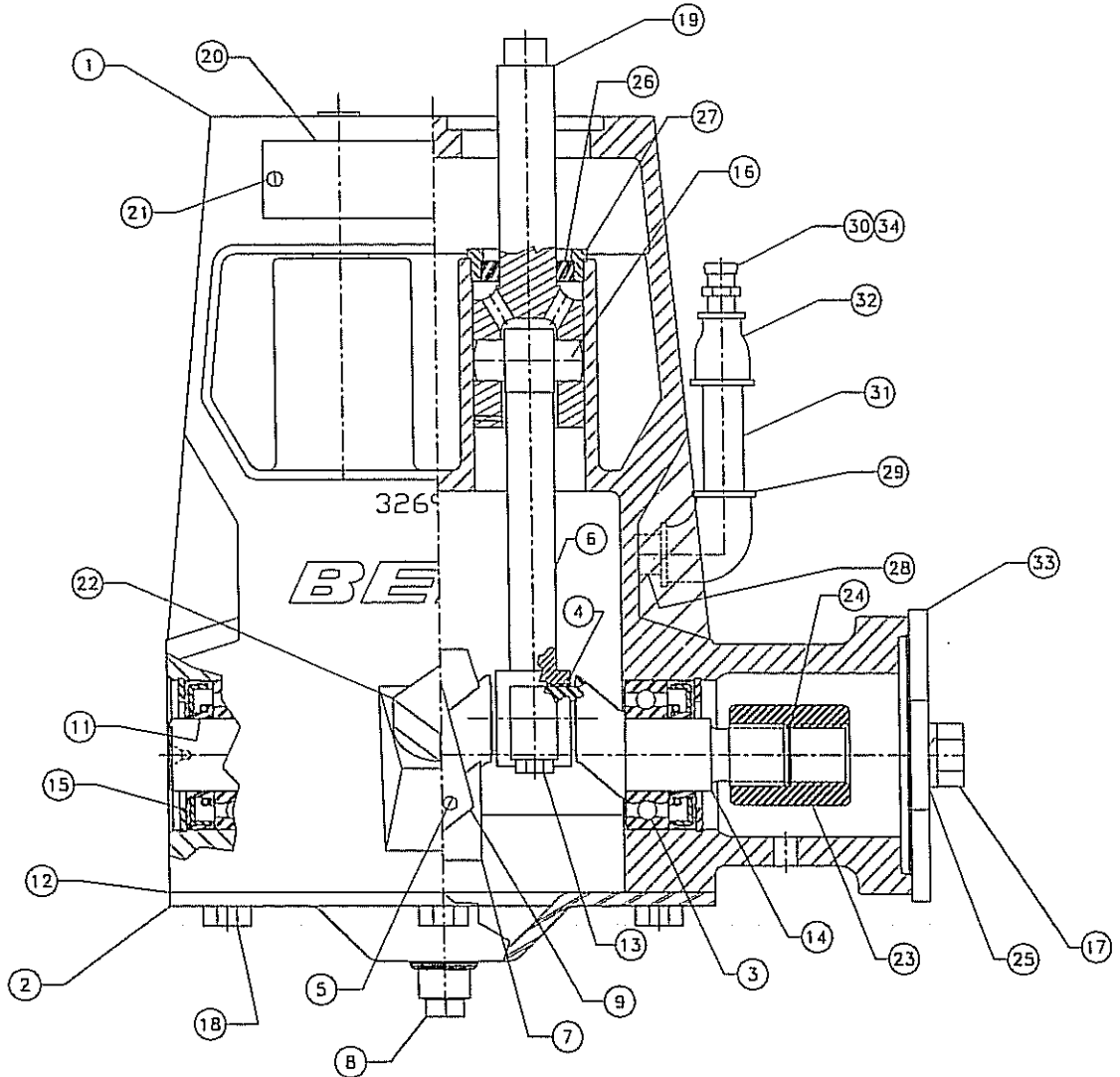
7-10342-001



REF. NO.	PART NO.	DESCRIPTION	QTY.	REF. NO.	PART NO.	DESCRIPTION	QTY.
8-6	1	218416-013 SEAT-VALVE	4	8-6	14	229367-037 CAPSCREW-HEX HD 3/8-16X5	3
8-6	2	218416-025 VALVE CAGE	4	8-6	15	218416-045 GASKET-CYLINDER	2
8-6	3	229367-027 DISC AND SPRING ASSEMBLY	4	8-6	16	224667-003 CYLINDER 1 5/8	2
8-6	4	218416-011 VALVE COVER	2	8-6	17	224667-005 PACKING HOLDER 1 5/8	2
8-6	5	229367-029 O-RING 1.1875 OD X .125	6	8-6	18	229367-039 PACKING WASHER	2
8-6	6	218416-007 CLAMP	1	8-6	19	229367-041 CAPSCREW-HEX HD 5/16-18X 1/2	2
8-6	7	218416-009 CAPSCREW-HEX HD 1/2-13 X 1 1/2	1	8-6	20	218416-035 SEAL RING 38-5	2
8-6	8	229367-031 FLUID CYLINDER	1	8-6	21	218416-033 O-RING-2 1/8"OD X 1/16	2
8-6	9	218416-049 UMBRELLA	2	8-7	22	224667-007 PACKING 1 5/8 HSN	2
8-6	10	218416-047 WASHER-UMBRELLA	2				
8-6	11	218416-043 O-RING-1 1/16 OD X9/16ID-1/16	2		234680-001	PUMP-9 GPM WATER (COMP' (INC. ALL OF FIG. 7-6 & 7-7)	
8-6	12	229367-033 CAP PLUG INT12	1				
8-6	13	229367-035 CAP LUG INT	1				

WATER PUMP COMPONENTS (POWER END)

Figure 8-7

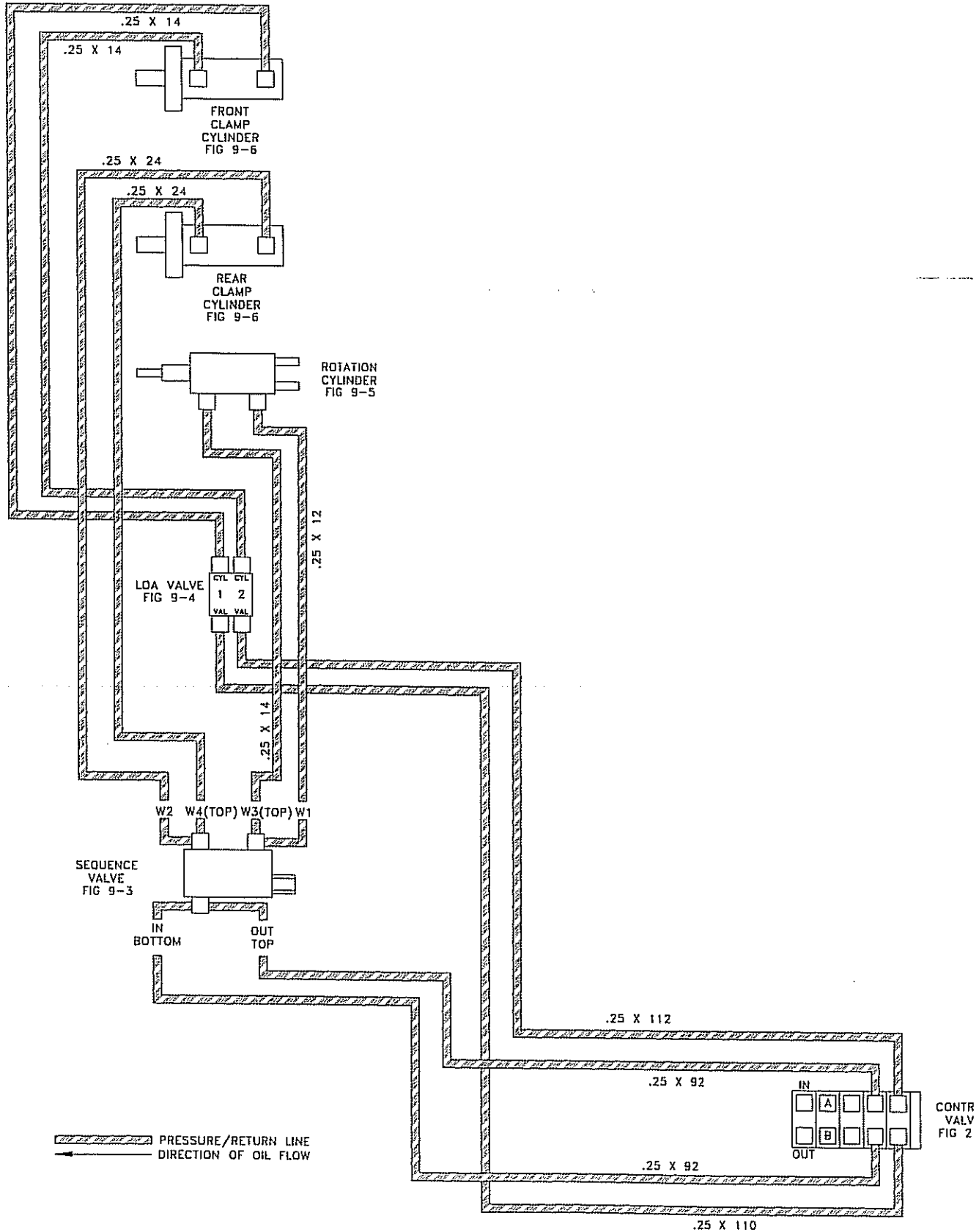


REF. NO.	PART NO.	DESCRIPTION	QTY.	REF. NO.	PART NO.	DESCRIPTION	QTY.
8-7	1	234680-003 POWER FRAME	1	8-7	20	229367-043 NAME PLATE	1
8-7	2	229367-005 BACK COVER	1	8-7	21	218416-029 SCREW #4 X 3/16	2
8-7	3	218416-061 BEARING-FAFNIR 205W	2	8-7	22	218416-031 PIPE PLUG-3/4"SQ.HD.GALV.	1
8-7	4	229367-007 BEARING INSERT	4	8-7	23	234680-009 COUPLING	1
8-7	5	218416-067 HEX HD CAP SCREW 10-24 X 3/4	2	8-7	24	234680-011 RETAINER RING (INTERNAL).66BOR	1
8-7	6	218416-059 ASSEMBLY-CONN.ROD	2	8-7	25	234680-013 LOCK WASHER 1/2"	2
8-7	7	218416-063 OIL SLINGER	1	8-7	26	904540-035 OIL SEAL	2
8-7	8	218416-085 PIPE PLUG-1/8 HEX HD BRASS	1	8-7	27	229367-017 SEAL HOLDER	2
8-7	9	229367-009 BOLTING STRIP	1	8-7	28	229367-019 NIPPLE-1/4"NPT	1
8-7	10	218416-071 STOP NUT (NOT SHOWN)	2	8-7	29	229367-021 STREET ELBOW -1/4" NPT	1
8-7	11	218416-065 SEAL-GARLOCK 205	2	8-7	30	904540-031 BREATHER	1
8-7	12	218416-079 GASKET-BASE	1	8-7	31	229367-023 NIPPLE-1/4"NPT X 2	1
8-7	13	218416-083 HHC 1/4-20 X 1 LOCK	4	8-7	32	229367-025 REDUCER-1/4NPT X 1/8NPT	1
8-7	14	234680-005 CRANKSHAFT	1	8-7	33	234680-015 COVER-FLANGE	1
8-7	15	218416-075 SNAP RING-5000-206	2	8-7	34	234680-017 PLUG - 1/4 NPT	1
8-7	16	218416-053 PIN-WRIST	2				
8-7	17	234680-007 HEX HEAD CAP SCREW1/2-13X1 1/2	2				
8-7	18	229367-013 CAPSCREW-HEX HD 3/8-16 X 3/4	6				
8-7	19	218416-055 CROSSHEAD	2				
						234680-001 PUMP-9 GPM WATER (COMPLETE) (INC. FIG. 7-6 & 7-7)	



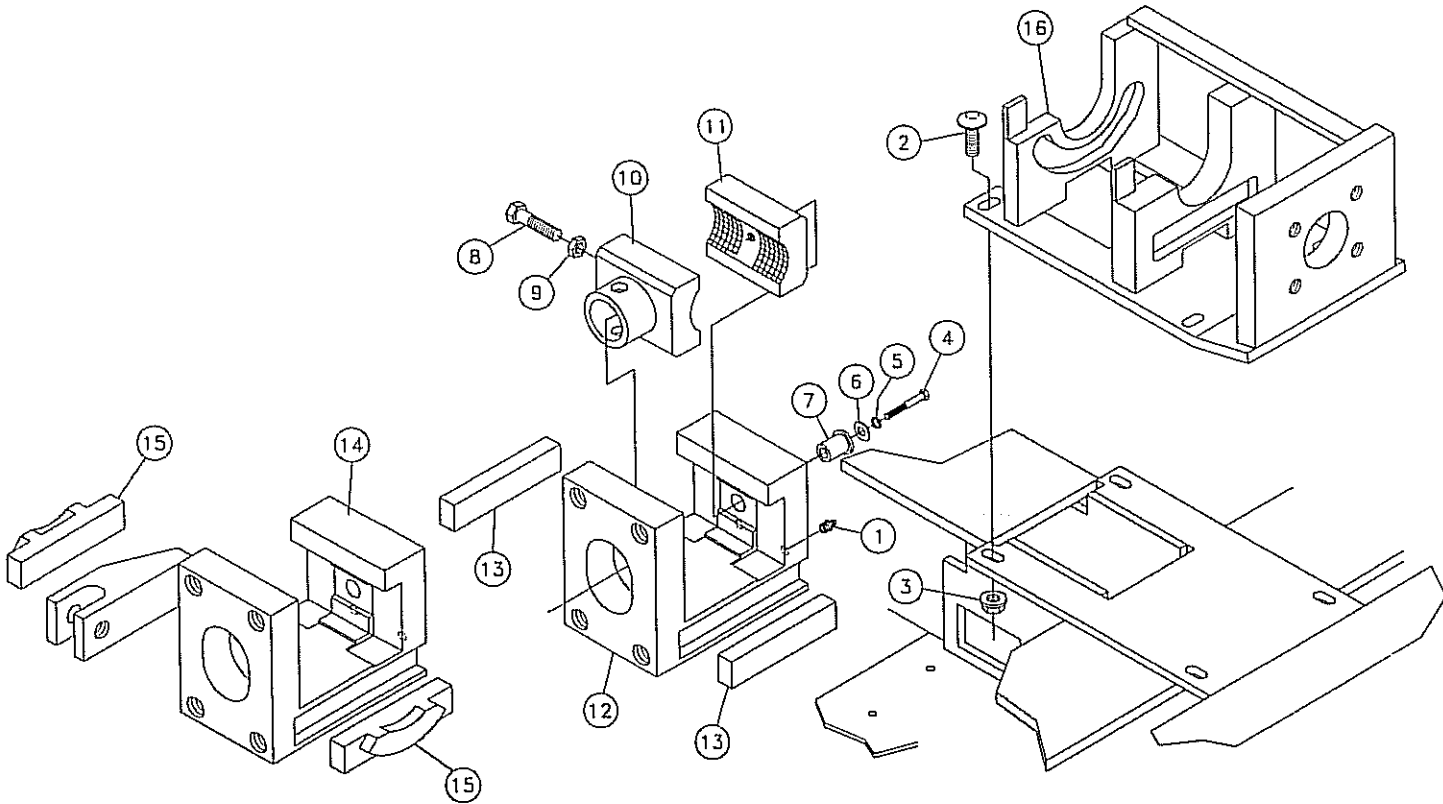
HYDRAULIC COMPONENTS LOCATION DIAGRAM - VISE CLAMP

Figure 9-1



CLAMP ASSEMBLY

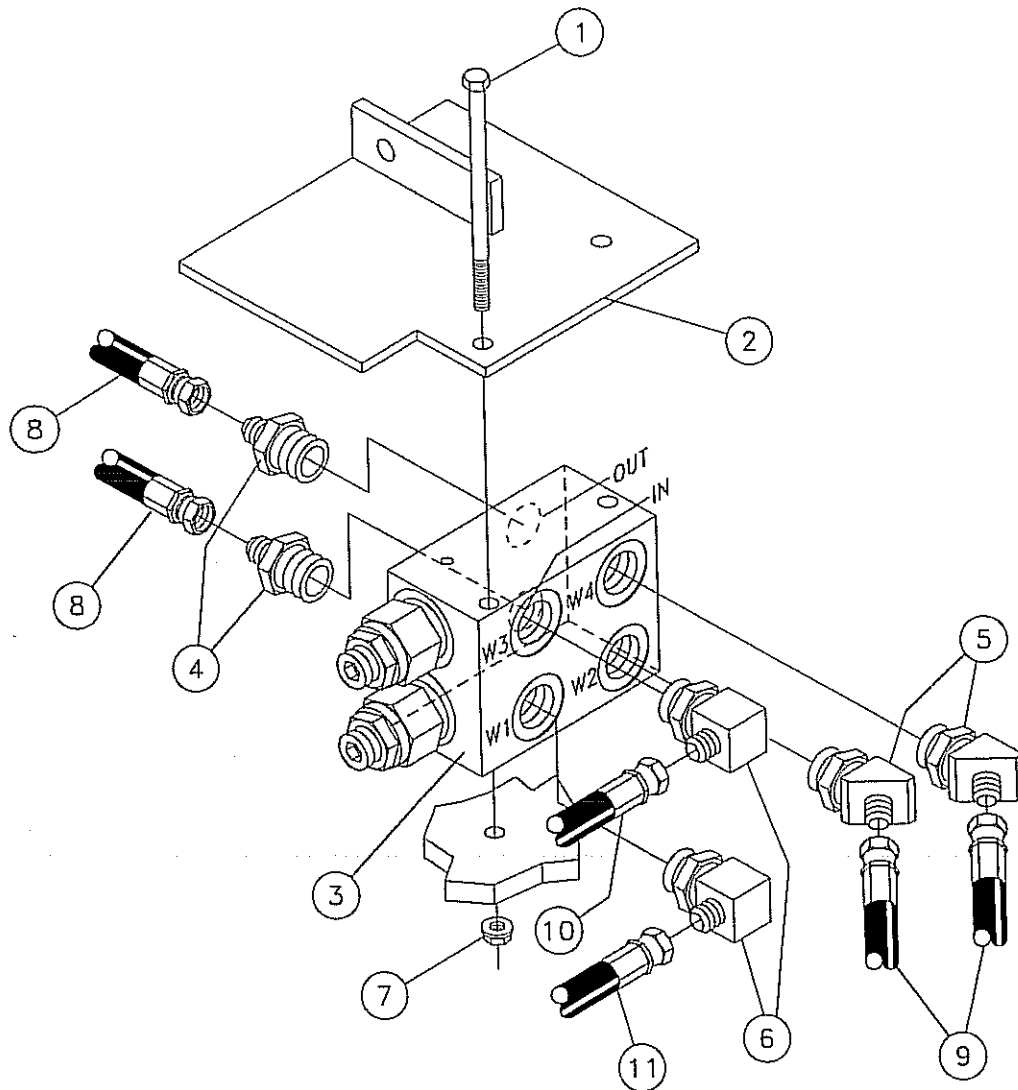
Figure 9-2



<u>REF. NO.</u>	<u>PART NO.</u>	<u>DESCRIPTION</u>	<u>QTY.</u>
9-2	1	586-001 ZERK-1/8" ST NPT GREASE	4
9-2	2	377-014 BOLT-1/2-13X1 1/2"GD#5CARRIAGE	4
9-2	3	1809-001 NUT-1/2 SM FLGE CENTER LOCK	4
9-2	4	354-020 3/8-16X2" GRADE#5 HEX BOLT	2
9-2	5	480-007 WASHER-3/8 S/T LOCK	2
9-2	6	485-007 WASHER-3/8 FLAT	2
9-2	7	228064-001 INSERT-FASTENER	2
9-2	8	358-020 BOLT-1/2-13X2" GRADE#5 HEX	2
9-2	9	422-001 NUT-1/2 NC HEX JAM	2
9-2	10	236076-001 JAW-1.66 STEM	2
9-2	11	236090-001 JAW-1.66 VISE	2
9-2	12	236063-001 CLAMP-LOWER	1
9-2	13	232456-001 BAR SLIDE	2
9-2	14	236109-001 CLAMP-UPPER	1
9-2	15	232449-001 PIVOT-SLIDE	2
9-2	16	236067-001 FRAME-CLAMP	1

SEQUENCE VALVE ASSEMBLY

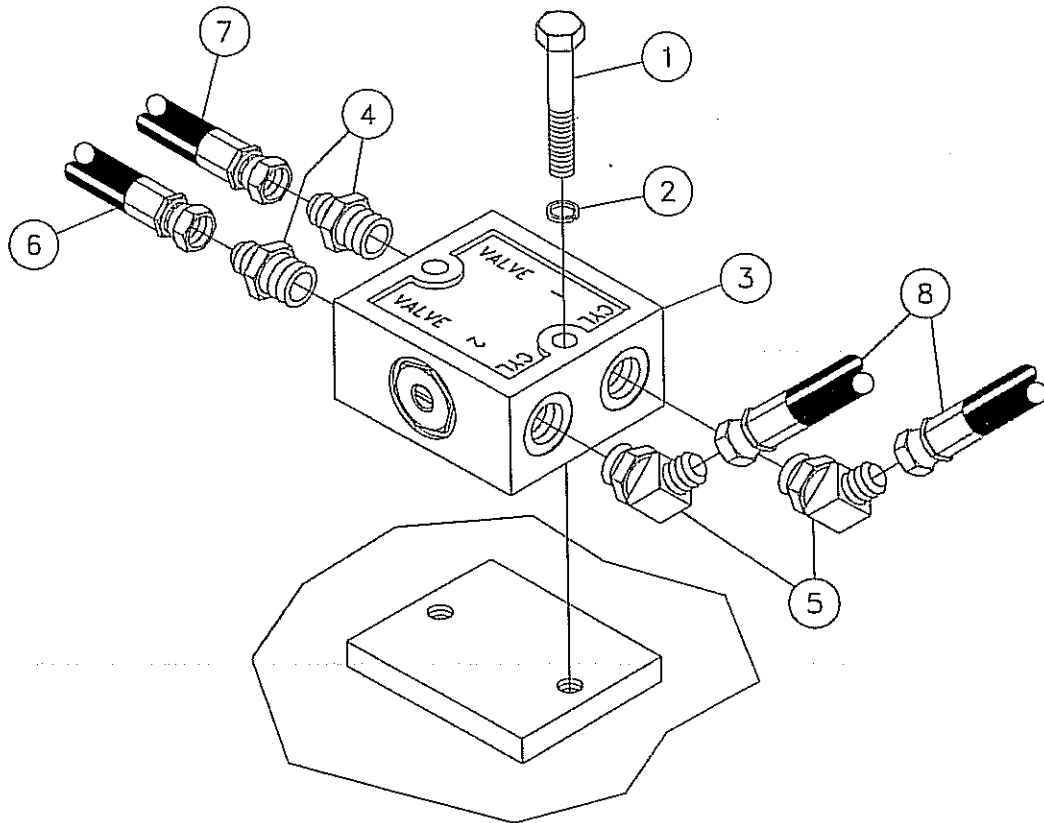
Figure 9-3



REF. NO.	PART NO.	DESCRIPTION	QTY.
9-3	1	350-040 1/4-20X4" GRADE#5 HEX BOLT	2
9-3	2	232429-001 PLATE-VALVE MOUNT	1
9-3	3	234691-001 VALVE-SEQUENCE (BREAKDOWN FIG. 9-8)	1
9-3	4	53657-001 FITTING-8M OR X 4M JIC ST.	2
9-3	5	82932-001 FITTING-8MX4M JIC 45DEG ELBOW	2
9-3	6	86671-001 FITTING-8M ORING X4M JIC 90 EL	2
9-3	7	405-001 NUT-1/4 NC FLG WHIZ LOCK	2
9-3	8	53843-589 HOSE-1/4X92 4FS JIC 3000PSI	2
9-3	9	53843-041 HOSE-1/4X24 4FS JIC (100R1)	2
9-3	10	53843-197 HOSE-1/4X14 4FS JIC 3000 PSI	1
9-3	11	53843-191 HOSE-1/4X12 4FS JIC 3000 PSI	1

LOA VALVE ASSEMBLY

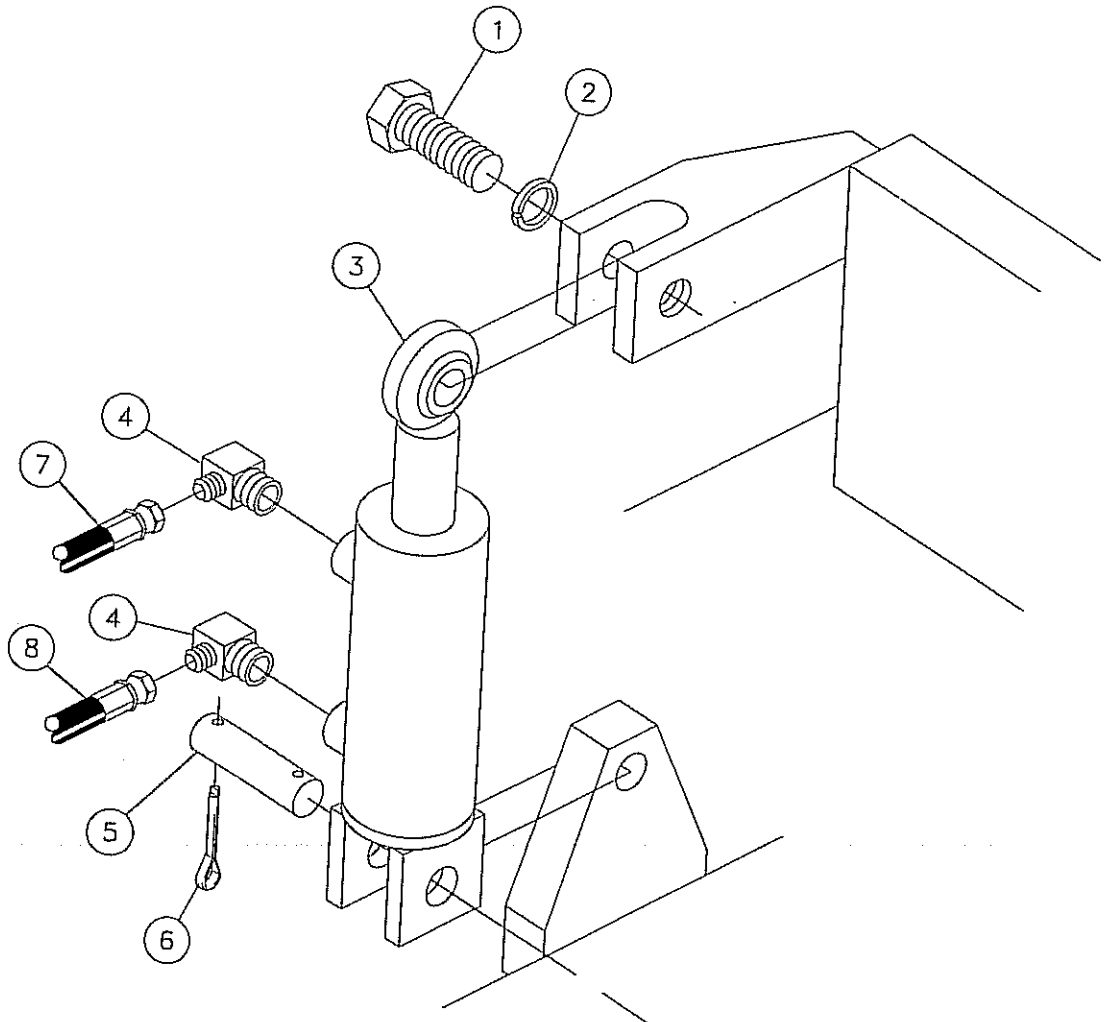
Figure 9-4



<u>REF. NO.</u>	<u>PART NO.</u>	<u>DESCRIPTION</u>	<u>QTY.</u>
9-4	1	351-020 BOLTS-5/16-18X2" GRADE#5 HEX	2
9-4	2	480-005 WASHER-5/16 S/T LOCK	2
9-4	3	86668-001 VALVE-LOA-6-D (BREAKDOWN FIG. 2-37)	1
9-4	4	57968-001 6M O-RING 4M JIC STRAIGHT	2
9-4	5	82931-001 FITTING-6MX4M JIC 45DEG. ELBOW	2
9-4	6	53843-573 HOSE-1/4 X 112 4FS IC 3000 PSI	1
9-4	7	53843-363 HOSE-1/4X110 4FS JIC SAE-100R1	1
9-4	8	53843-197 HOSE-1/4X14 4FS JIC 3000 PSI	2

ROTATION CYLINDER ASSEMBLY

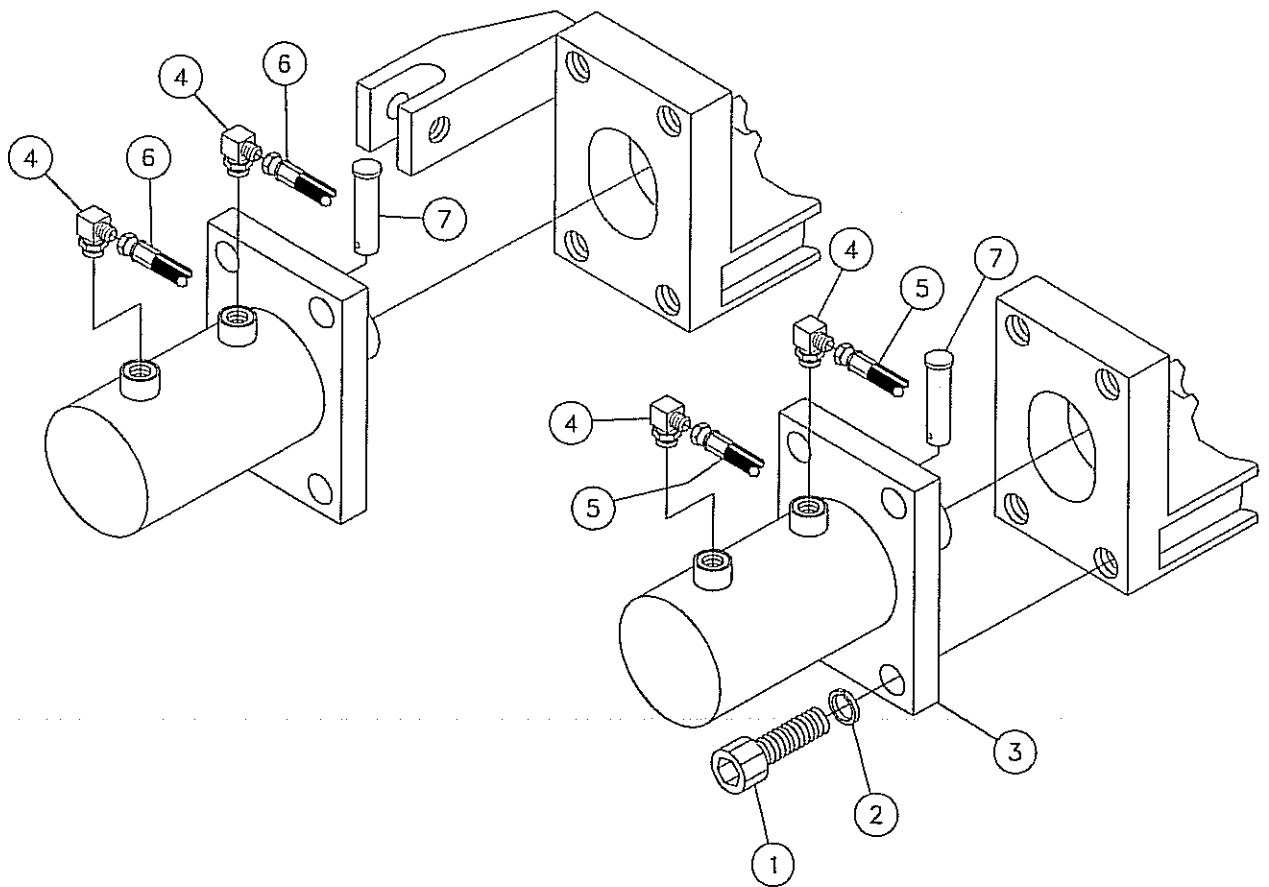
Figure 9-5



<u>REF. NO.</u>	<u>PART NO.</u>	<u>DESCRIPTION</u>	<u>QTY.</u>
9-5	1	369-020 3/4-10X2" GRADE#5 HEX BOLT	1
9-5	2	480-017 WASHER-3/4 S/T LOCK	1
9-5	3	901750-001 CYLINDER-2X2 1/2 HYD (BREAKDOWN FIG. 9-9)	1
9-5	4	93707-001 FITTING-4M JICX 3/8M NPT STR.	2
9-5	5	902445-001 PIN-CYLINDER	1
9-5	6	510-021 COTTER PIN-3/16" X 1"	2
9-5	7	53843-197 HOSE-1/4X14 4FS JIC 3000 PSI	1
9-5	8	53843-191 HOSE-1/4X12 4FS JIC 3000 PSI	1

CLAMP CYLINDER ASSEMBLY

Figure 9-6

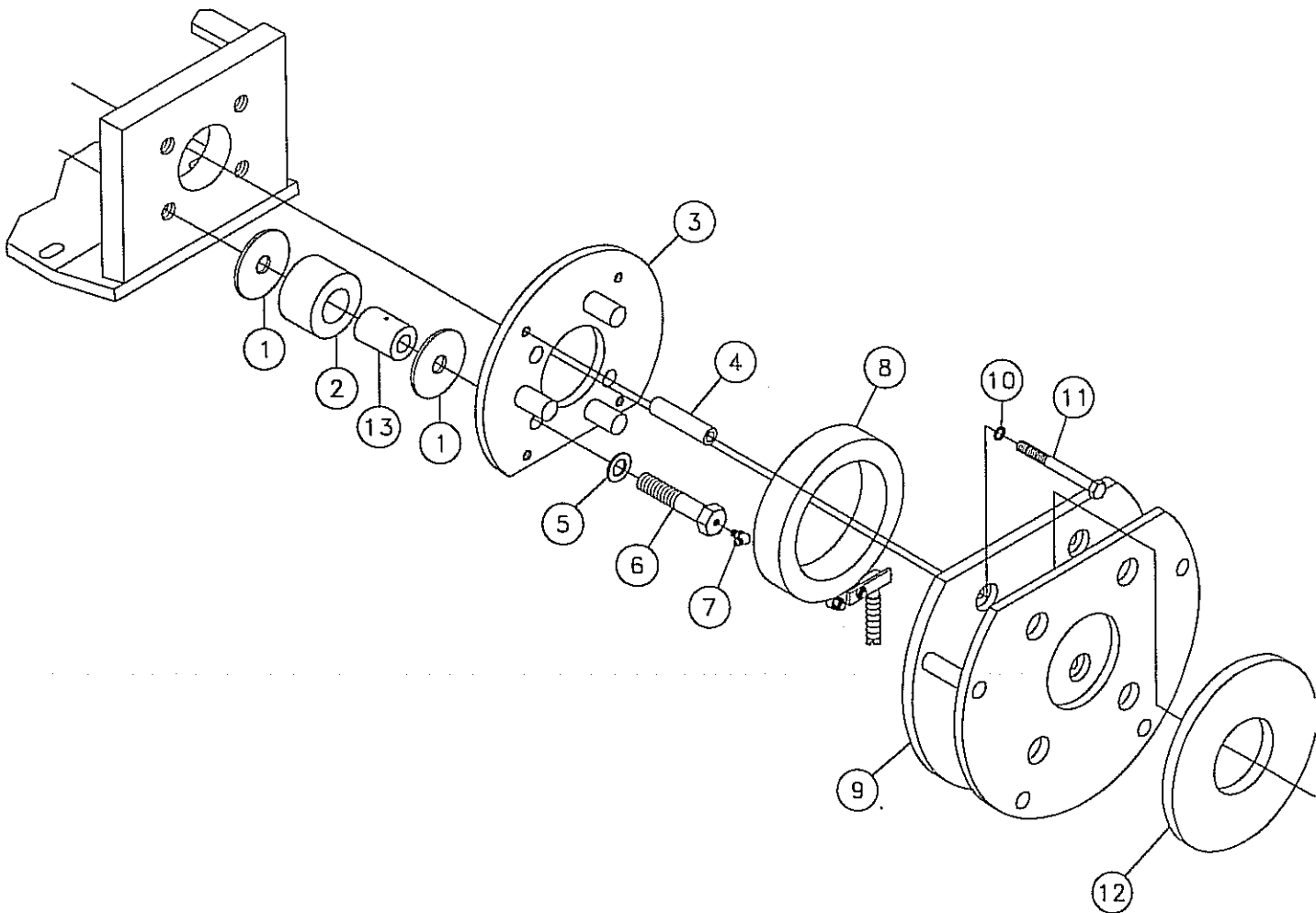


REF. NO.	PART NO.	DESCRIPTION	QTY.
9-6	1	121827-024 SCREW-7/8-14X2 1/2 SK.HD.CAP#8	8
9-6	2	480-021 WASHER - 7/8 S/T LOCK	8
9-6	3	232499-001 CYLINDER-3X2 CLAMP (BREAKDOWN FIG. 9-10)	2
9-6	4	57950-001 FITTING-6M X 4 JIC 90 DEG.	4
9-6	5	53843-197 HOSE-1/4X14 4FS JIC 3000 PSI	2
9-6	6	53843-041 HOSE-1/4X24 4FS JIC (100R1)	2
9-6	7	232447-001 PIN-5/8 X 2 1/2 CLEVIS	2

ZAP ALERT COIL ASSEMBLY

Figure 9-7

Revised February 1998 due to change from bearing to roller w/ bushing. Changed/added parts marked with *.

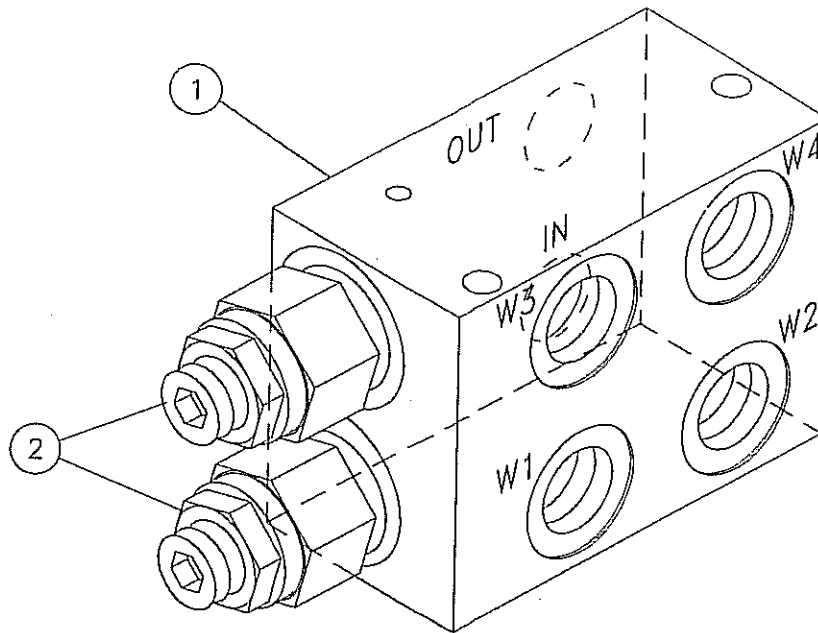


REF. NO.	PART NO.	DESCRIPTION	QTY.
9-7	1	*244680-001 WASHER-2.50 OD X .6563 ID	8
9-7	2	*236378-001 ROLLER-GUIDE	4
9-7	3	236097-001 MOUNT-ZAP ALERT COIL	1
9-7	4	236407-001 TUBE-WIPER MOUNT SPACER	4
9-7	5	235715-001 WASHER-5/8" SAE HARD ZINC PLTD	4
9-7	6	236376-003 BOLT ASSY-ROLLER GREASE (INC. REF. 7)	4
9-7	7	597-001 ZERK-1/4" NF 90 DEG GREASE	4
9-7	8	229392-001 COIL-CURRENT (86" CABLE)	1
9-7	9	236351-001 MOUNT-ROD WIPER	1
9-7	10	480-007 WASHER-3/8 S/T LOCK	4
9-7	11	354-034 BOLT-3/8"-16X3 1/2" GR 5 HEX	4
9-7	12	235921-001 WIPER-1.66 OD ROD	1
		235920-001 ROD WIPER 1.32	
9-7	13	*236377-001 BUSHING-GUIDE ROLLER	4

- 485 - 015

SEQUENCE VALVE COMPONENTS

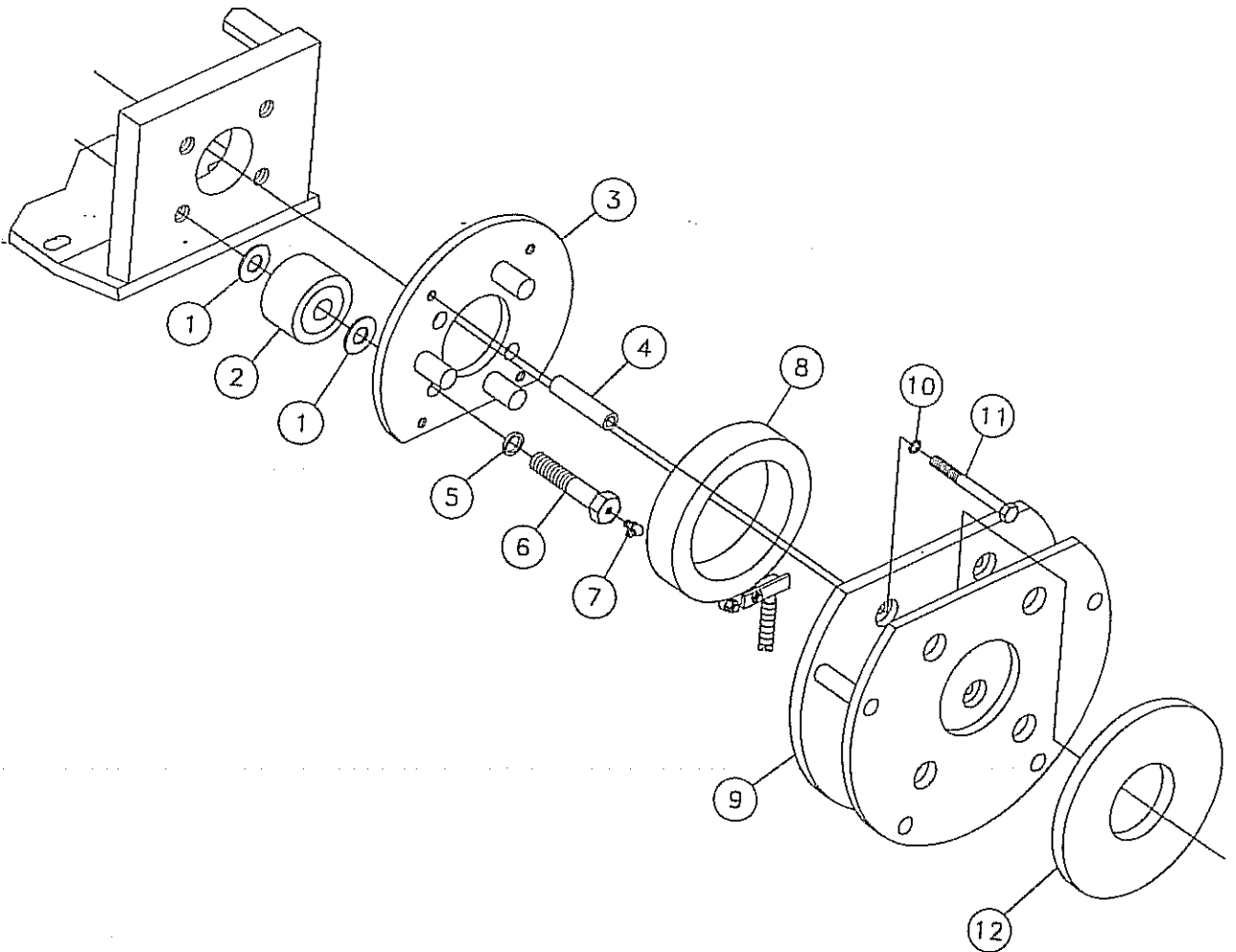
Figure 9-8



<u>REF. NO.</u>	<u>PART NO.</u>	<u>DESCRIPTION</u>	<u>QTY.</u>
9-8	1	234691-003 BODY-VALVE	1
9-8	2	234691-005 VALVE-SEQUENCE	2
		234691-007 SEAL KIT-SEQUENCE VALVE	
		234691-001 VALVE-SEQUENCE (INC. REF. 1, 2)	

ZAP ALERT COIL ASSEMBLY

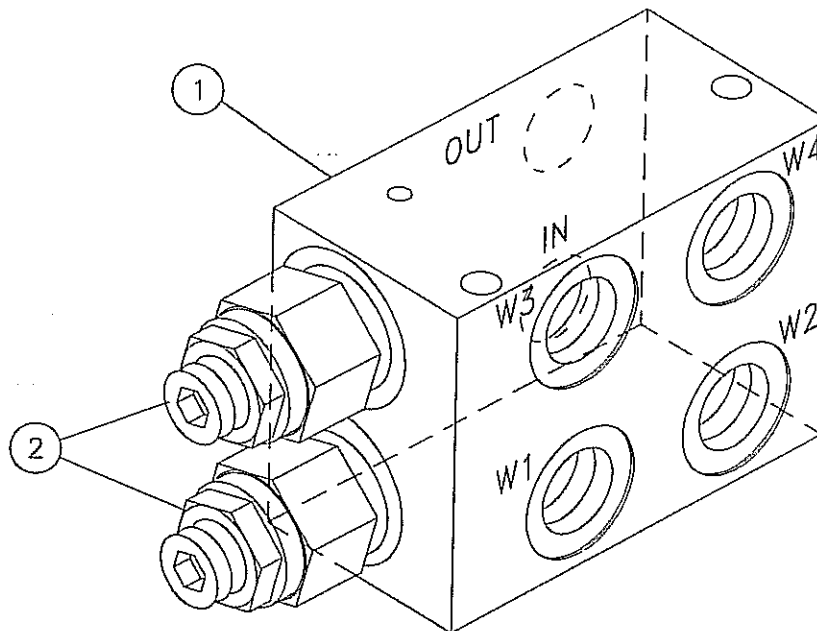
Figure 9-7



REF. NO.	PART NO.	DESCRIPTION	QTY.
9-7	1	485-015 WASHER-5/8 FLAT	8
9-7	2	224934-001 BEARING-2.50 ROLLER CYR SERIES	4
9-7	3	236097-001 MOUNT-ZAP ALERT COIL	1
9-7	4	1070-049 TUBE-5/8ODX11GA.-2 9/16"	4
9-7	5	480-015 WASHER-5/8 S/T LOCK	4
9-7	6	236376-003 BOLT ASSY-ROLLER GREASE (INC. REF. 7)	4
9-7	7	597-001 ZERK-1/4" NF 90 DEG GREASE	4
9-7	8	229392-001 COIL-CURRENT (86" CABLE)	1
9-7	9	236351-001 MOUNT-ROD WIPER	1
9-7	10	480-007 WASHER-3/8 S/T LOCK	4
9-7	11	354-032 3/8-16X3 1/4"GRADE#5 HEX BOLT	4
9-7	12	235921-001 WIPER-1.66 OD ROD 235920-001 ROD WIPER 1.32	1

SEQUENCE VALVE COMPONENTS

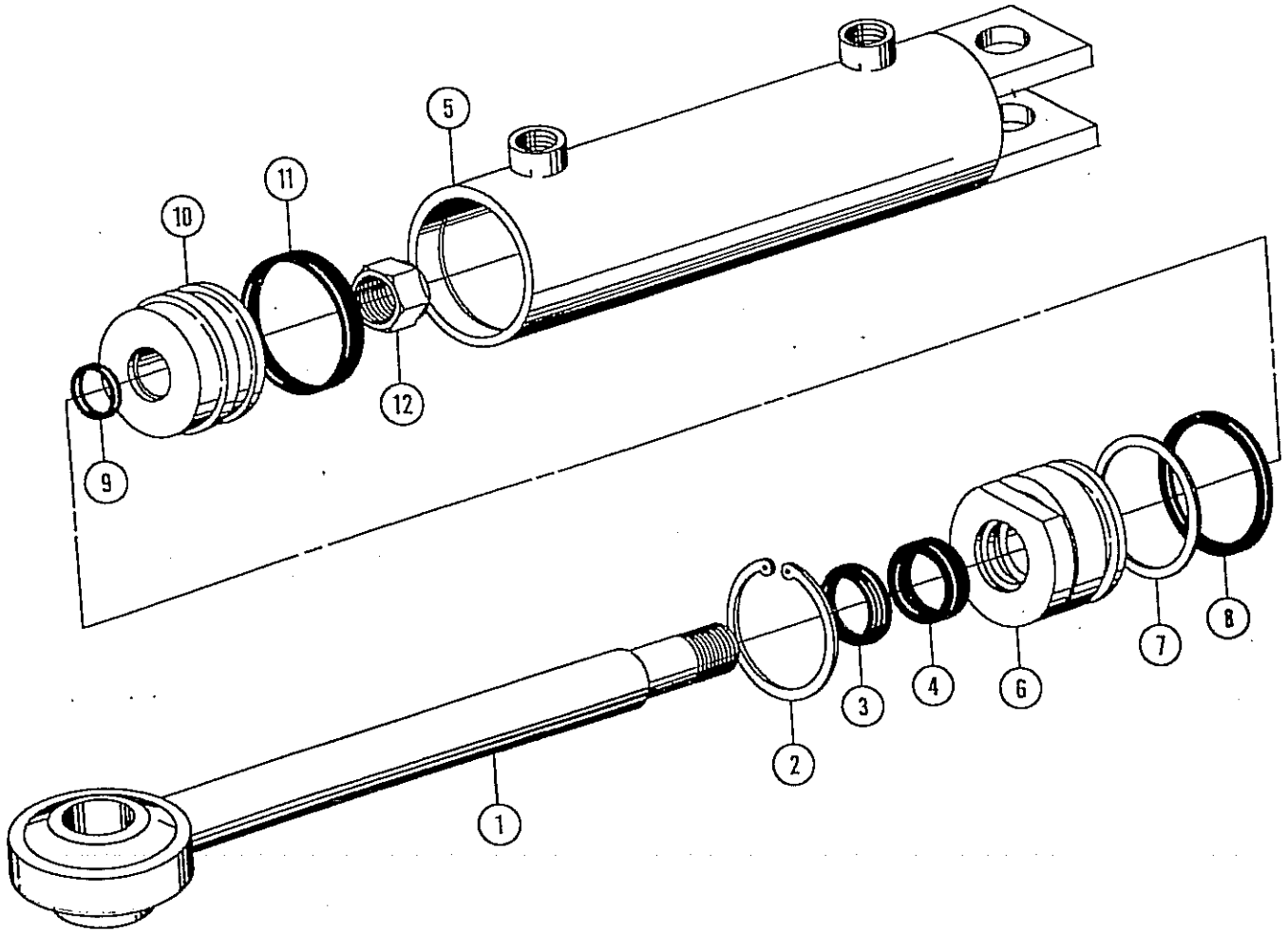
Figure 9-8



<u>REF. NO.</u>		<u>PART NO.</u>	<u>DESCRIPTION</u>	<u>QTY.</u>
9-8	1	234691-003	BODY-VALVE	1
9-8	2	234691-005	VALVE-SEQUENCE	2
		234691-007	SEAL KIT-SEQUENCE VALVE	
		234691-001	VALVE-SEQUENCE (INC. REF. 1, 2)	

HYDRAULIC CYLINDER COMPONENTS - 2" X 2 1/2"

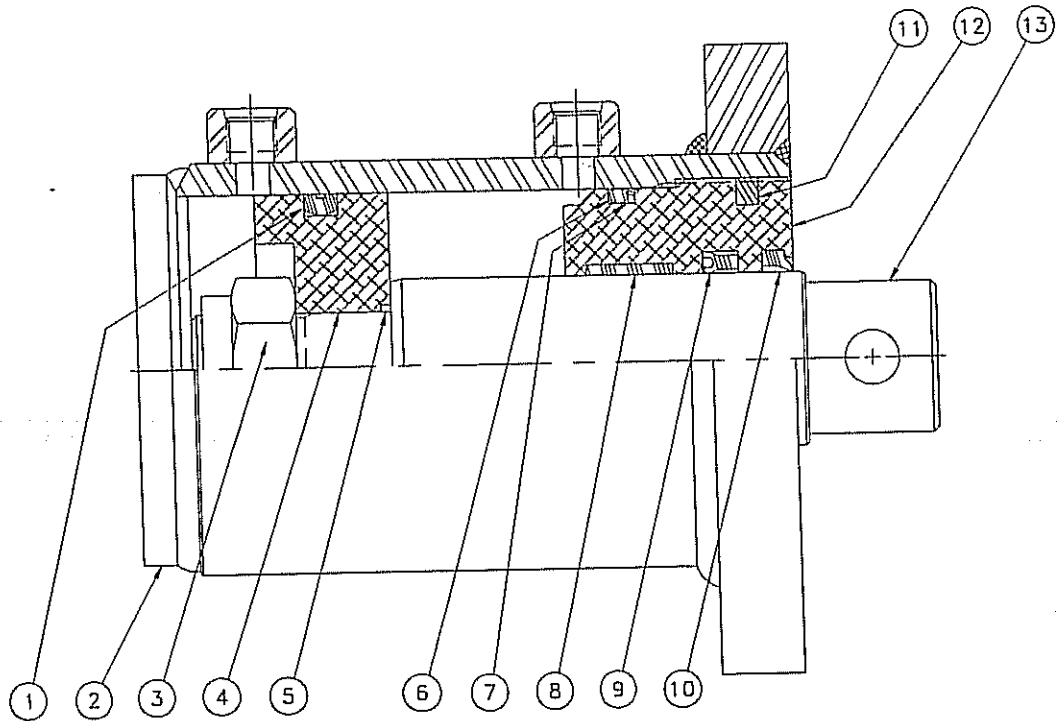
Figure 9-9



<u>REF. NO.</u>	<u>PART NO.</u>	<u>DESCRIPTION</u>	<u>QTY.</u>
9-9	1	901750-003 ROD	1
9-9	2	602-200 SNAP RING-INT.	1
9-9	3	200773-001 WIPER	1
9-9	4	205002-001 1 1/8" LOADED U-CUP	1
9-9	5	901750-005 BODY ASSY	1
9-9	6	200831-001 GLAND	1
9-9	7	200834-001 BACKUP WASHER	1
9-9	8	51172-001 O-RING	1
9-9	9	19876-045 ORING- (90D)	1
9-9	10	200832-001 PISTON	1
9-9	11	200833-001 UNIRING	1
9-9	12	398-001 NUT-3/4X16 GR 8 SLTL	1
		901750-001 CYLINDER-2X2 1/2 HYD (INC. REF. 1-12)	
		901750-007 REPAIR KIT (INC. REF. 2-4, 6-9 & 11)	

HYDRAULIC CYLINDER COMPONENTS - 3" X 2"

Figure 9-10

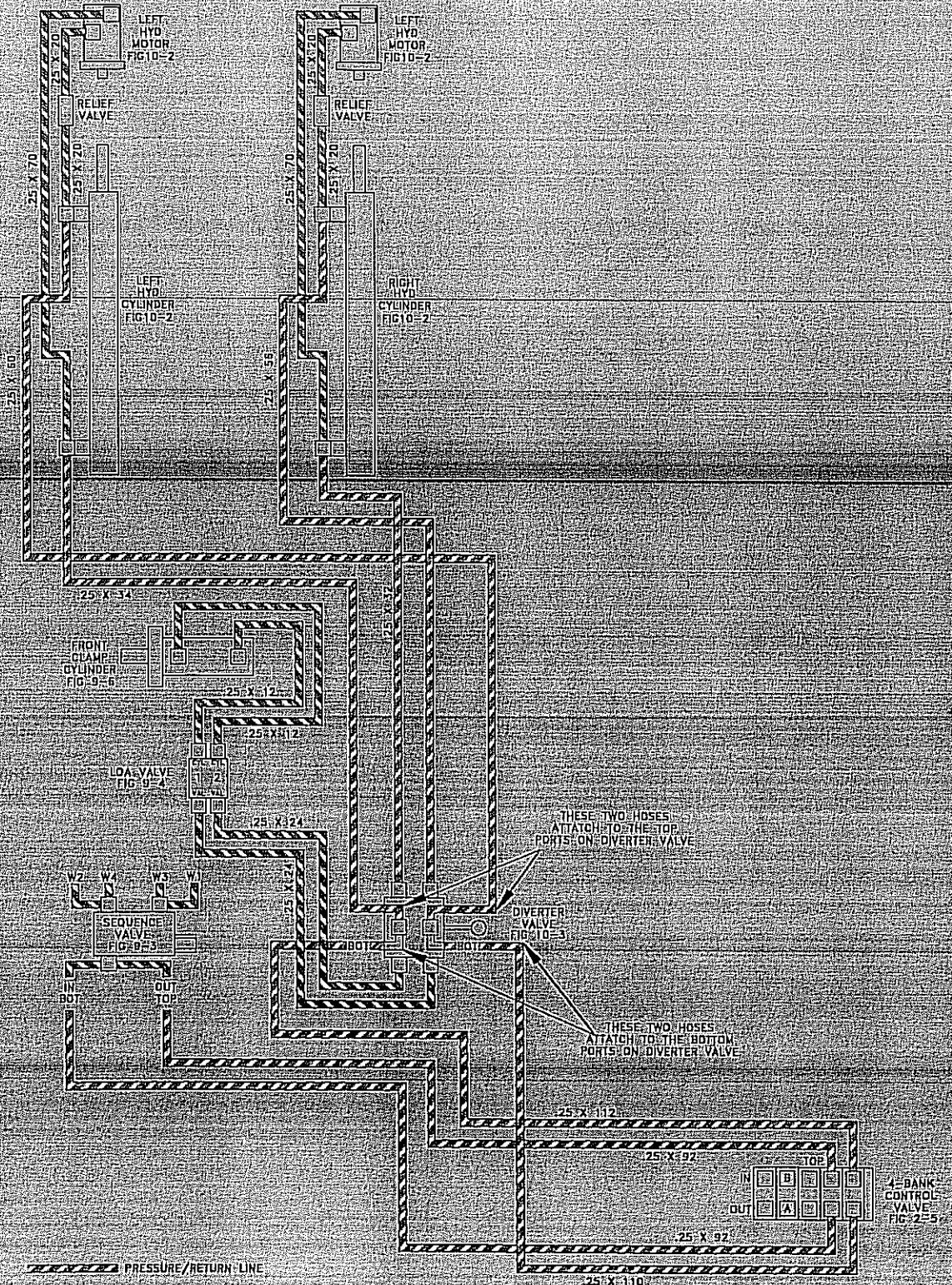


<u>REF. NO.</u>	<u>PART NO.</u>	<u>DESCRIPTION</u>	<u>QTY.</u>
9-10	1	232499-003 UNI-RING	1
9-10	2	232499-005 TUBE WELDMENT	1
9-10	3	140007-009 LOCKNUT- 1.25-12 UNF	1
9-10	4	232499-007 PISTON	1
9-10	5	140007-011 O-RING	1
9-10	6	215657-019 O-RING	1
9-10	7	215657-023 BACKUP RING	1
9-10	8	110188-017 WEARBAND	2
9-10	9	94488-025 POLYPAK	1
9-10	10	94488-027 WIPER-ROD	1
9-10	11	104012-005 LOCKING INSERT	1
9-10	12	232499-009 HEAD GLAND	1
9-10	13	232499-011 CYLINDER ROD	1
	232499-013	SEAL KIT (INC. REF. 1, 5-11)	
	232499-001	CYLINDER-3X2 (INC. REF. 1-13)	

HYDRAULIC COMPONENTS LOCATION DIAGRAM - STATIONARY STAKEDOWN

Figure 10-1

Revised August 1997 due to update of diagram



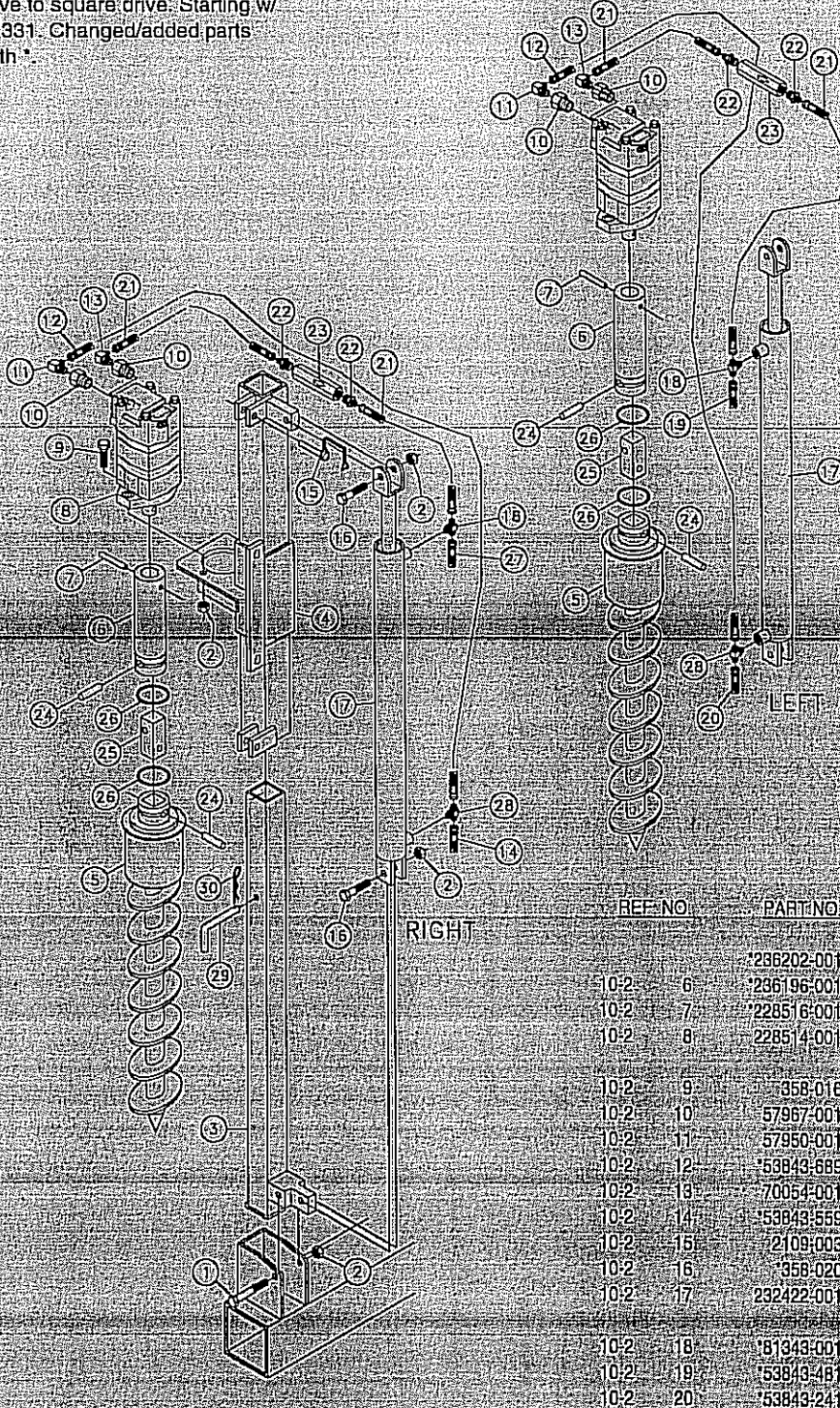
--- PRESSURE/RETURN LINE

4-BANK CONTROL VALVE FIG 2-5

STATIONARY STAKEDOWN ASSEMBLY

Figure 10-2

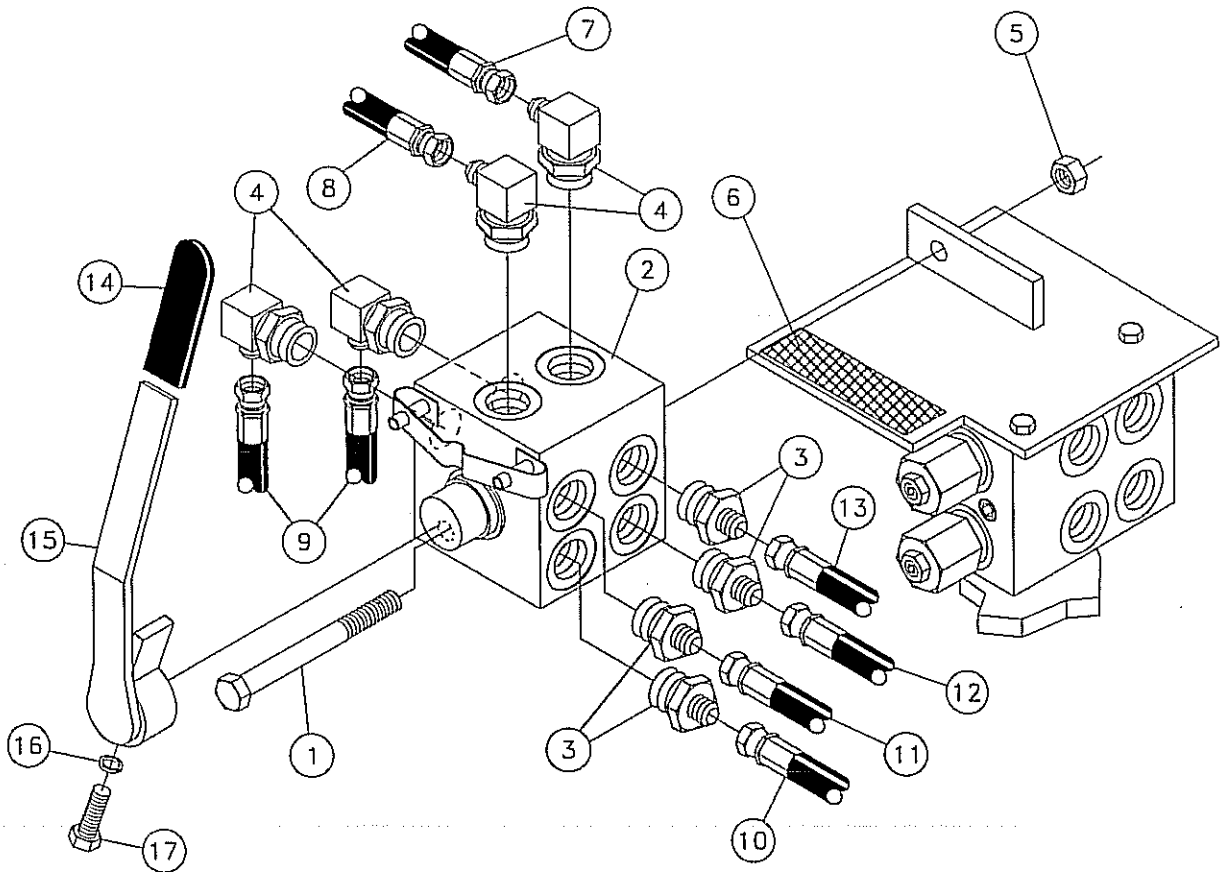
Revised August 1997 due to change from splined drive to square drive. Starting w/ Serial No. 331. Changed/added parts marked with *.



REF. NO.	PART NO.	DESCRIPTION	QTY.
10-2	1	*358-032 BOLT-1/2-13X3 1/4 GRADE #5 HEX	4
10-2	2	423-001 NUT-1/2 NC SLT L UTB	10
10-2	3	232408-001 TUBE-STAKE	2
10-2	4	232410-001 TUBE-SLIDE	2
10-2	5	*236197-001 STAKE-4" SQ DRIVE	2
10-2	6	*236202-001 STAKE-2" ANCHOR	2
10-2	7	*228516-001 COUPLER-SQUARE DRIVE	2
10-2	8	*228514-001 PIN-3/8X2 1/2 TYPE A GROOVED	2
10-2	9	358-016 MOTOR-2000 SERIES 24 O/D	2
10-2	10	57967-001 BOLT-1/2-13X1 3/4 GRADE #5 HEX	4
10-2	11	57950-001 (BUSHING FIG. 10-4)	2
10-2	12	53843-689 HOSE-1/4X70 4FS JIC 3000 PSI	2
10-2	13	70054-001 FITTING-6MX4 M JIC 90 W/060	2
10-2	14	53843-559 HOSE-1/4X32 4FS JIC (3000 PSI)	1
10-2	15	2109-003 PIN-LOCKING-3/8X2 1/4	2
10-2	16	*358-020 BOLT-1/2-13X2 GRADE #5 HEX	4
10-2	17	232422-001 CYLINDER-1 1/2X24 (BREAKDOWN FIG. 10-5)	2
10-2	18	81343-001 4M (BCH) X4M JIC X4M JIC TEE	2
10-2	19	53843-48 HOSE-1/4X60 4FS JIC (3000 PSI)	1
10-2	20	53843-241 HOSE-1/4X34 4FS JIC (3000 PSI)	1
10-2	21	53843-21 HOSE-1/4X20 4FS JIC 3000 PSI	4
10-2	22	93707-001 FITTING-4M JIC X 3/8M NPT STR.	4
10-2	23	232498-001 VALVE-RELIEF (750 PSI)	2
10-2	24	*236200-001 PIN-STAKE KEEPER	4
10-2	25	*236230-001 BAR-STAKE DRIVER	2
10-2	26	*236229-001 O-RING-329	4
10-2	27	53843-209 HOSE-1/4X56 4FS JIC 3000 PSI	1
10-2	28	*240129-001 TEE-4M (BCH) X4M JIC X4M JIC W/1/32	2
10-2	29	*13940-001 PIN-BORING ATTACHMENT MOUNT	2
10-2	30	*1793-005 HAIR PIN COTTER-125	2

STATIONARY STAKEDOWN SELECTOR VALVE ASSEMBLY

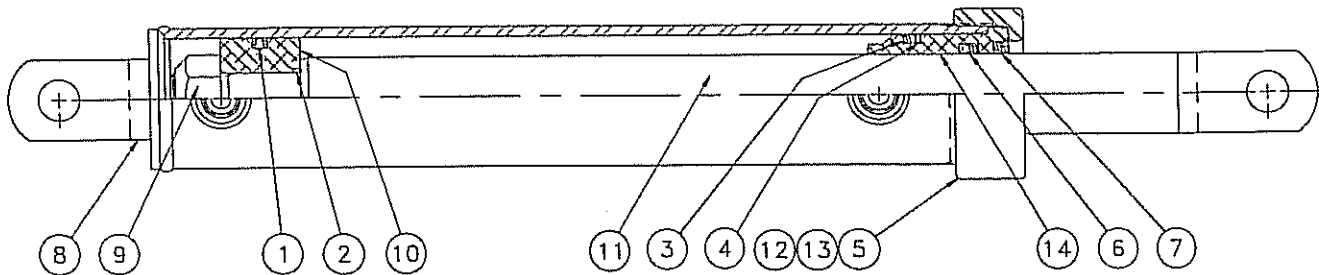
Figure 10-3



REF. NO.	PART NO.	DESCRIPTION	QTY.
10-3	1	354-036 3/8-16X3 3/4"GRADE#5 HEX BOLT	1
10-3	2	232467-001 VALVE-ROTARY DIVERTER (BREAKDOWN FIG. 10-6)	1
10-3	3	53657-001 FITTING-8M OR X 4M JIC ST.	4
10-3	4	86671-001 FITTING-8M ORING X4M JIC 90 EL	4
10-3	5	416-001 NUT-3/8 NC SLTL	1
10-3	6	7001A-527 DECAL-DRIVE ENGAGE	1
10-3	7	53843-573 HOSE-1/4 X 112 4FS IC 3000 PSI	1
10-3	8	53843-363 HOSE-1/4X110 4FS JIC SAE-100R1	1
10-3	9	53843-041 HOSE-1/4X24 4FS JIC (100R1)	2
10-3	10	53843-689 HOSE-1/4X70 4FS JIC 3000 PSI	1
10-3	11	53843-687 HOSE-1/4X54 4FSJIC 3000 PSI	1
10-3	12	53843-567 HOSE-1/4X46 4FS JIC 3000 PSI	1
10-3	13	53843-181 HOSE-1/4X28 4FS JIC 3000PSI	1
10-3	14	201482-001 HANDLE-BLACK PLASTIC 2 1/2'	1
10-3	15	236106-001 LEVER-VALVE	1
10-3	16	480-005 WASHER-5/16 S/T LOCK	1
10-3	17	475-010 BOLT - 5/16-24 X 1 HEX GD 5	1

HYDRAULIC CYLINDER COMPONENTS - 1 1/2" X 24"

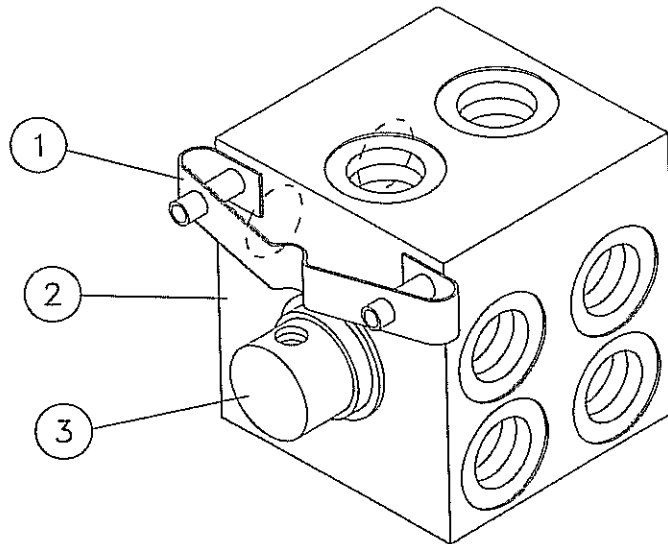
Figure 10-5



<u>REF. NO.</u>	<u>PART NO.</u>	<u>DESCRIPTION</u>	<u>QTY.</u>
10-5	1	232422-003 T-SEAL	1
10-5	2	232422-005 O-RING	1
10-5	3	232422-007 O-RING	1
10-5	4	232422-009 BACKUP RING	1
10-5	5	232422-011 LOCKING INSERT	1
10-5	6	232422-013 DOUBLE LIP U-CUP	1
10-5	7	232422-015 ROD WIPER	1
10-5	8	232422-017 TUBE WELDMENT	1
10-5	9	232422-019 .625-18UNF LOCKNUT	1
10-5	10	232422-021 PISTON	1
10-5	11	232422-023 ROD WELDMENT	1
10-5	12	232422-025 HEAD GLAND CAP	1
10-5	13	99859-005 SCREW-LG SET .313-18 X .25	1
10-5	14	232422-027 HEAD GLAND	1
	232422-029	SEAL KIT (INC REF. 1-7)	
	232422-001	CYLINDER-1 1/2X24 (INC. REF. 1-14)	

SELECTOR VALVE COMPONENTS

Figure 10-6



<u>REF. NO.</u>	<u>PART NO.</u>	<u>DESCRIPTION</u>	<u>QTY.</u>
10-6	1	232467-005 DETENT	1
10-6	2	NSS BODY	1
10-6	3	NSS SPOOL	1
	232467-001	VALVE-ROTARY DIVERTER	
	232467-007	SEAL KIT	
	NSS	NOT SOLD SEPARATELY (BODY & SPOOL ARE MATCHEDK SET AND ARE NOT SOLD SEPARATELY)	

(PAGE 2) D7X11A NAVIGATOR INDEX

FIG. NO.	PART NO.	FIG. NO.	PART NO.	FIG. NO.	PART NO.	FIG. NO.	PART NO.				
1-9	10	1788-043	2-20	14	3147-035	2-32	22	4485-021	2-6	10	53829-001
4-3	5	1789-009	2-21	14	3147-035	10-4	21	4485-023	2-9	2	53829-001
3-1	40	1794-003	2-22		3147-035	2-32	21	4485-023	8-2	8	53837-001
8-1	15	1794-003	2-22		3147-037	1-4	7	4536-001	2-5	14	53842-355
1-17	7	1794-003	2-21	9	3147-039	1-9	13	4536-001	2-6	8	53842-355
1-18	12	1794-003	2-22	2	3147-041	2-6	1	4536-001	2-3	16	53842-481
3-1	31	1797-003	2-22	8	3147-043	2-7	3	4536-001	2-9	3	53842-481
4-1	2	1802-010	2-20	4	3147-077	3-8	7	4536-001	2-6	7	53842-485
1-9	9	1803-023	2-21	4	3147-077	3-9	7	4536-001	2-8	6	53842-485
1-9	7	1809-001	2-20	5	3147-081	4-3	11	4536-001	2-4	9	53842-489
2-3	12	1809-001	2-21	12	3147-081	7-1	7	4536-001	2-9	8	53842-489
9-2	3	1809-001	2-23	1	3149-005	8-1	7	4536-001	2-6	12	53842-491
1-17	5	1809-001	2-23	3	3149-013	1-15	6	4536-001	2-9	7	53842-491
1-18	4	1809-001	2-21	13	3175-003	1-20	3	4536-001	2-5	11	53842-493
2-13	9	1809-001	2-25		3175-003	2-18	3	4536-001	2-13	4	53842-493
4-4	6	1809-005	2-25		3175-005	4-3	16	4542-005	2-6	15	53842-499
3-6	7	1809-007	2-25	10	3175-013	2-35	4	5460-001	2-10	1	53842-499
4-4	5	1809-007	2-25	6	3175-021	1-9	3	5832-001	2-6	9	53842-501
2-14	1	1809-007	2-25	8	3175-023	2-20	15	6149-005	2-8	7	53842-501
1-17	8	1830-005	2-37		3216-003	2-21	8	6149-005	9-3	9	53843-041
1-4	2	1835-027	2-37		3216-005	2-23		6149-005	9-6	6	53843-041
1-5	4	1835-027	2-37	1	3216-007	2-23	4	6149-043	10-3	9	53843-041
1-6	6	1835-027	2-37	3	3216-009	2-23	2	6149-057	10-2	20	53843-181
1-9	5	1835-029	2-37	4	3216-011	2-21	15	6149-059	10-3	13	53843-181
1-17	8	1838-001	2-37	5	3216-013	2-33	6	6284-003	9-3	11	53843-191
1-15	11	1864-001	2-37	9	3216-015	1-6	1	10816-001	9-5	8	53843-191
1-5	9	1865-001	1-11	4	3967-001	1-9	20	13323-001	9-5	8	53843-191
8-1	8	2107-007	1-10	7	4022-001	3-1	16	13625-001	9-3	10	53843-197
10-2	15	2109-003	4-4	7	4153-001	3-1	16	13625-001	9-4	8	53843-197
4-2	9	2110-003	3-1	18	4225-001	2-20	12	14173-003	9-5	7	53843-197
4-5	8	2110-003	3-9	8	4225-001	2-21	18	14173-003	9-5	7	53843-197
2-20	13	2110-003	4-2	7	4333-003	4-2	13	14881-001	9-6	5	53843-197
2-21	10	2110-003	4-5	6	4333-003	2-24		15844-007	10-2	21	53843-211
1-1	27	2326-142	2-20	7	4333-003	2-24	4	15844-009	2-4	12	53843-231
1-2	27	2326-142	2-21	6	4333-003	1-10	10	16380-020	2-16	5	53843-231
1-1	24	2326-315	4-2	8	4333-005	3-4	9	17393-001	2-3	25	53843-241
1-3	14	2326-315	4-5	4	4333-005	3-6	5	17393-001	2-14	12	53843-241
3-5	14	2326-315	2-20	8	4333-005	3-8	6	17393-001	2-5	8	53843-363
1-1	5	2326-324	2-21	7	4333-005	3-1	20	18064-001	9-4	7	53843-363
1-3	4	2326-324	2-35	10	4433-001	9-9	9	19876-045	10-3	8	53843-363
1-10	8	2326-324	1-15	4	4473-004	3-1	15	20779-001	2-5	19	53843-489
1-1	7	2326-619	3-5	7	4473-006	1-2	24	23261-315	10-2	14	53843-567
1-2	7	2326-619	4-4	3	4473-006	1-3	14	23261-315	10-3	12	53843-567
1-3	11	2326-619	1-4	18	4474-006	3-5	14	23261-315	2-5	9	53843-573
1-17	10	2326-619	3-1	5	4474-006	1-2	5	23261-324	9-4	6	53843-573
1-1	25	2326-920	3-6	8	4474-006	1-3	4	23261-324	10-3	7	53843-573
1-2	25	2326-920	3-7	4	4474-006	1-10	8	23261-324	2-5	10	53843-589
1-3	24	2326-920	3-9	19	4474-006	2-35	12	24753-001	9-3	8	53843-589
3-7	6	2326-920	4-4	4	4474-006	2-35	11	24754-001	10-2	19	53843-687
1-1	19	2326-940	1-10	3	4474-006	3-7	3	25245-001	10-3	11	53843-687
1-2	19	2326-940	1-10	26	4474-010	4-1	15	26452-001	10-2	12	53843-689
1-3	10	2326-940	1-4	10	4475-006	4-1	16	26453-001	10-3	10	53843-689
4-1	20	2326-940	1-8	13	4475-006	2-26	8	51038-001	2-8	9	53844-065
1-10	19	2595-001	1-9	15	4475-006	9-9	8	51172-001	2-14	6	53844-065
2-19	2	2683-001	7-1	9	4475-006	2-35	3	52704-001	8-2	23	53844-169
2-26		2694-003	8-1	6	4475-006	2-35	9	52705-001	2-7	7	53844-177
2-26	2	2694-005	8-2	27	4475-006	3-6	11	53631-001	2-15	7	53844-177
2-26	5	2694-007	1-11	22	4475-006	2-4	10	53657-001	1-11	29	53844-381
2-26	7	2694-011	2-13	11	4475-006	2-5	4	53657-001	8-2	7	53844-649
2-26	1	2694-013	1-5	3	4475-010	9-3	4	53657-001	2-5	12	53844-651
2-26	9	2694-015	1-6	3	4475-010	10-3	3	53657-001	2-7	5	53844-651
2-27	1	2696-003	1-9	18	4475-010	2-5	5	53824-001	2-5	13	53844-653
2-27	2	2696-005	8-2	1	4475-010	2-7	4	53824-001	2-7	6	53844-653
1-5	2	3035-001	1-15	9	4475-010	8-2	21	53824-001	2-6	14	53844-655
2-22	1	3128-009	1-20	1	4475-010	1-11	26	53824-001	2-18	13	53844-655
2-24		3147-011	3-8	9	4475-012	2-14	7	53826-001	2-6	5	53844-661
2-24	12	3147-027	10-4	22	4485-019	2-6	11	53827-001	2-14	5	53844-661
2-20	6	3147-029	2-32	22	4485-019	2-9	6	53827-001	2-7	8	53844-663
2-21	5	3147-029	10-4	22	4485-021	2-4	6	53828-001	2-15	5	53844-663

<u>FIG. NO.</u>	<u>PART NO.</u>	<u>FIG. NO.</u>	<u>PART NO.</u>	<u>FIG. NO.</u>	<u>PART NO.</u>	<u>FIG. NO.</u>	<u>PART NO.</u>				
2-18	6	53845-053	2-18	7	67552-001	4-2	3	7000A-036	1-2	1	70000-834
2-18	8	53845-317	7-2	10	67846-003	1-1	18	7000A-061	1-3	1	70000-834
2-18	11	53845-549	1-10	12	67846-003	1-2	18	7000A-061	1-5	8	70000-834
2-19	4	53845-549	2-14	3	67846-003	1-3	9	7000A-061	10-4	6	70020-007
2-3	27	53845-789	2-17	5	67846-003	4-1	19	7000A-061	10-2	13	70054-001
2-4	7	53845-789	2-5	6	67850-001	1-1	17	7000A-062	1-11	3	70096-001
2-5	15	53845-803	4-4	15	67892-001	1-2	17	7000A-062	1-19	9	70096-001
2-18	10	53845-803	2-5	18	68014-001	1-3	8	7000A-062	2-6	17	72056-001
2-3	28	53845-805	2-35	1	68540-001	4-1	18	7000A-062	1-19	3	72897-001
2-18	14	53845-805	2-35	6	68544-001	1-1	21	7000A-087	1-19	2	75381-012
2-3	15	53854-001	4-1	8	69757-001	1-2	21	7000A-087	2-15	14	75385-001
2-4	8	53854-001	4-1	12	69757-001	1-3	27	7000A-087	2-15	6	77811-001
2-18	5	53871-001	4-3	8	69757-001	4-4	10	7000A-087	1-10	20	78171-001
2-15	1	54198-001	1-1	29	7001A-305	1-1	30	7000A-393	1-10	4	79412-001
1-18	6	55617-001	1-2	29	7001A-305	1-3	30	7000A-393	2-33	5	79530-005
2-17	7	55617-001	1-1	28	7001A-306	3-1	48	7000A-393	2-33	4	79530-009
2-35	2	56091-001	1-2	28	7001A-306	1-1	3	7000A-394	2-20	10	79704-001
3-1	33	56220-001	1-1	15	7001A-355	1-3	23	7000A-394	2-21	11	79704-001
2-35		56687-001	1-2	15	7001A-355	1-17	14	7000A-394	2-23	5	79704-001
1-10	24	56691-001	1-3	12	7001A-355	1-1	33	7000A-528	2-3	10	81214-001
2-13	3	56725-001	2-8	2	7001A-355	1-3	13	7000A-528	10-2	18	81343-001
7-1	4	57867-012	1-2	30	7001A-393	3-1	37	7000A-528	2-3	3	81590-001
1-8	2	57904-001	1-3	30	7001A-393	1-1	10	7000A-576	2-5	20	81665-001
2-4	14	57940-163	3-1	48	7001A-393	1-3	19	7000A-576	8-2	9	82492-001
2-11	11	57940-163	1-2	3	7001A-394	2-3	18	7000A-576	9-4	5	82931-001
2-12	11	57940-163	1-3	23	7001A-394	3-1	38	7000A-576	9-3	5	82932-001
2-12	6	57940-259	1-17	14	7001A-394	1-17	15	7000A-576	3-1	1	86113-001
2-11	6	57940-293	1-1	22	7001A-477	1-1	23	7000A-659	3-9	13	86113-001
2-4	13	57940-467	1-2	22	7001A-477	1-2	23	7000A-659	2-15	4	86235-001
2-17	3	57940-467	1-3	26	7001A-477	1-3	22	7000A-659	2-24	10	86323-005
8-3	4	57940-667	3-9	20	7001A-477	3-1	36	7000A-659	4-5	18	86580-001
2-4	15	57940-699	1-1	31	7001A-526	1-2	26	7000I-044	9-4	3	86668-001
2-11	10	57940-699	1-2	31	7001A-526	1-3	25	7000I-044	2-11	9	86668-001
2-12	10	57940-699	1-3	7	7001A-526	3-9	14	7000I-044	2-12	9	86668-001
2-8	8	57949-001	2-5	21	7001A-526	1-2	6	7000I-098	2-37		86668-001
2-3	24	57950-001	4-1	22	7001A-526	1-10	9	7000I-098	2-6	16	86670-001
9-6	4	57950-001	1-1	16	7001A-527	1-2	8	7000I-294	9-3	6	86671-001
10-2	11	57950-001	1-2	16	7001A-527	1-3	6	7000I-294	10-3	4	86671-001
2-3	14	57967-001	1-3	29	7001A-527	1-15	21	7000I-294	2-11	2	86881-001
10-2	10	57967-001	10-3	6	7001A-527	1-2	32	7000I-530	2-12	2	86881-001
2-11	4	57967-001	1-2	33	7001A-528	1-3	28	7000I-530	3-9	15	87356-003
2-12	4	57967-001	1-3	13	7001A-528	7-3	2	7000I-530	2-5	7	88659-001
9-4	4	57968-001	3-1	37	7001A-528	1-1	26	70000-044	2-10	2	88659-001
2-35	8	58137-001	1-1	4	7001A-556	1-3	25	70000-044	2-31		88759-003
2-6	4	59404-001	1-2	4	7001A-556	3-9	14	70000-044	2-31	4	88759-009
2-6	13	59407-001	1-3	3	7001A-556	1-1	6	70000-098	2-31	2	88759-021
2-8	5	59409-001	1-9	21	7001A-556	1-3	5	70000-098	2-31	14	88759-025
2-19	3	59409-001	1-2	10	7001A-576	1-10	9	70000-098	2-31	19	88759-033
2-3	26	59417-001	1-3	19	7001A-576	1-1	8	70000-294	2-31	18	88759-035
2-18	12	59421-001	2-3	18	7001A-576	1-3	6	70000-294	2-31	12	88759-041
2-14	11	59423-001	3-1	38	7001A-576	1-15	21	70000-294	2-20	3	89275-009
2-4	11	60247-001	1-17	15	7001A-576	1-1	9	70000-394	2-21	3	89275-009
2-5	16	60718-001	1-1	12	7000A-010	1-2	9	70000-394	4-5	17	89675-001
2-16	4	60722-001	1-2	12	7000A-010	1-3	21	70000-394	2-31	10	93297-005
8-2	26	60922-001	1-3	17	7000A-010	2-3	17	70000-394	2-31	9	93297-007
4-4	12	63471-001	2-3	20	7000A-010	1-1	32	70000-530	2-31	8	93297-009
4-1	8	63737-001	3-1	42	7000A-010	1-3	28	70000-530	2-31	5	93297-013
4-1	25	63737-001	1-1	11	7000A-014	7-3	2	70000-530	2-31	3	93297-017
3-7	1	63948-001	1-2	11	7000A-014	1-1	13	70000-774	4-5	7	93641-001
3-7	1	63949-001	1-3	18	7000A-014	1-2	13	70000-774	9-5	4	93707-001
4-1	17	64075-001	2-3	19	7000A-014	1-3	16	70000-774	10-2	22	93707-001
2-11	5	65563-001	1-1	2	7000A-034	2-3	21	70000-774	4-3	6	93831-001
2-12	5	65563-001	1-2	2	7000A-034	3-1	30	70000-774	8-2	20	94112-001
2-11	7	65565-001	1-3	2	7000A-034	1-1	14	70000-784	9-10	9	94488-025
2-12	7	65565-001	1-9	19	7000A-034	1-2	14	70000-784	9-10	10	94488-027
2-17	2	65565-001	4-5	19	7000A-034	1-3	20	70000-784	2-18	9	96075-001
8-2	16	66320-001	1-1	20	7000A-036	2-3	23	70000-784	1-16	7	96716-001
4-5	12	67292-001	1-2	20	7000A-036	3-1	29	70000-784	2-16	8	96716-001
8-2	18	67355-055	1-3	15	7000A-036	1-1	1	70000-834	2-14	2	96716-003

(PAGE 4) D7X11A NAVIGATOR INDEX

FIG. NO.	PART NO.	FIG. NO.	PART NO.	FIG. NO.	PART NO.	FIG. NO.	PART NO.				
1-16	6	96716-005	1-5	12	212522-001	1-11	28	215707-001	8-6	1	218416-013
3-1	10	97456-001	3-1	41	212522-001	1-11	15	215715-001	8-6	2	218416-025
7-2	16	98035-001	6-1	6	213086-001	1-14	5	215724-001	8-7	21	218416-029
2-20	21	98108-011	6-2	6	213086-001	2-16	3	215768-001	8-7	22	218416-031
2-21	24	98108-011	6-3	6	213086-001	2-35		215768-001	8-6	21	218416-033
10-5	13	99859-005	6-1	6	213389-005	2-33	15	215890-009	8-6	20	218416-035
3-1	32	101522-001	6-2	6	213389-005	2-33	11	215890-013	8-6	11	218416-043
2-20	1	102975-001	6-3	6	213389-005	4-1	7	215914-001	8-6	15	218416-045
2-21	1	102975-001	6-1	5	213389-007	5-1		215938-001	8-6	10	218416-047
2-36	14	104012-005	6-2	5	213389-007	5-1	7	215938-003	8-6	9	218416-049
9-10	11	104012-005	6-3	5	213389-007	5-2	7	215938-003	8-7	16	218416-053
3-8	10	109697-001	6-1	4	213389-009	5-2		215939-001	8-7	19	218416-055
9-10	8	110188-017	6-2	4	213389-009	5-2		215940-001	8-7	6	218416-059
1-17	12	113551-006	6-3	4	213389-009	5-2	8	215940-003	8-7	3	218416-061
3-6	4	119512-001	6-1	1	213389-011	5-1	2	215941-001	8-7	7	218416-063
3-8	5	119512-001	6-2	1	213389-011	5-2	2	215941-001	8-7	11	218416-065
3-4	7	119513-001	6-3	1	213389-011	5-1	6	215942-001	8-7	5	218416-067
3-4	3	119874-001	1-6	8	213553-001	5-2	5	215942-001	8-7	10	218416-071
9-6	1	121827-024	1-6	7	213558-003	5-2	4	215943-001	8-7	15	218416-075
8-4	2	123595-001	1-6	9	213584-003	2-15	11	215990-001	8-7	12	218416-079
8-4	1	123596-001	1-6	2	213634-001	4-1	9	215991-001	8-7	13	218416-083
2-13	2	127718-012	1-6	12	213704-001	4-1	9	215992-001	8-7	8	218416-085
2-6	6	130450-001	2-11	1	213890-001	4-1	11	215992-001	4-1	5	218420-007
9-10	3	140007-009	2-12	1	213890-001	4-1	9	215993-001	3-2	3	218420-015
9-10	5	140007-011	2-31		213890-001	4-1	11	215993-001	3-2	5	218420-017
1-15	19	142423-001	1-6	13	213890-003	4-1	9	215994-001	3-2	4	218420-019
1-15	18	142954-001	2-31	15	213890-003	4-1	10	215995-001	3-2	12	218420-037
9-9	3	200773-001	1-6	15	213890-005	4-1	10	215996-001	3-2	13	218420-039
9-9	6	200831-001	2-31	17	213890-005	4-1	10	215997-001	3-3	4	218420-055
9-9	10	200832-001	2-31	1	213890-007	4-1	10	215998-001	1-10	18	218420-073
9-9	11	200833-001	2-31	6	213890-009	4-5	15	216293-001	1-10	18	218420-077
9-9	7	200834-001	2-31	7	213890-011	4-5	16	216295-001	4-1	5	218420-079
10-3	14	201482-001	2-31	11	213890-013	1-19	1	216453-001	4-1	8	218810-001
4-2	5	204747-009	2-31	13	213890-015	1-19	6	216460-001	3-4		219053-001
1-15	17	204812-001	2-31	20	213890-017	1-5	7	216573-001	3-4	1	219053-003
9-9	4	205002-001	5-1	1	213900-003	1-5	7	216573-002	3-4	2	219053-005
7-2	14	208065-001	5-1	4	213900-007	4-5	1	216780-001	3-4	5	219053-007
4-5	10	208065-005	5-1	9	213900-009	4-6		216780-001	3-1	17	219053-009
4-2	2	208065-007	5-2	9	213900-009	4-6	4	216780-003	3-4	6	219053-009
4-5	11	208696-001	5-1	3	213900-013	4-6	3	216780-005	3-4	10	219053-011
7-3	6	210780-001	5-1	5	213900-015	4-6	2	216780-007	1-11	12	219101-001
7-3	6	210780-003	5-1	1	213900-019	4-6	1	216780-009	1-11	23	219101-001
7-3	6	210780-005	5-1	8	213900-021	5-2		216871-001	2-15	10	219101-001
7-3	6	210780-007	5-1		213900-023	5-3		216871-001	2-15	13	219101-001
7-3	6	210780-009	5-2		213900-023	1-11	14	217205-001	8-1	2	219105-001
7-3	6	210780-011	5-1		213900-025	8-1	1	217221-005	4-1	3	219106-001
7-3	6	210780-013	5-2		213900-025	4-1	4	217231-001	8-1	14	219110-005
7-3	4	210781-001	5-2	1	213902-005	1-12	3	217234-001	8-2	15	219115-001
7-3	3	210782-001	5-3	1	213902-005	1-13	2	217234-001	2-5	2	219120-001
7-3	3	210782-003	5-2		213902-011	1-14	3	217234-001	2-20		219120-001
7-3	3	210782-005	1-8	6	215468-001	2-15	9	217249-001	2-20	16	219120-003
7-3	3	210782-007	2-36	2	215657-005	1-11	13	217762-001	2-20	17	219120-005
7-3	3	210782-009	2-36	3	215657-007	1-13	3	217768-001	2-20	18	219120-007
7-3	4	210783-001	2-36	4	215657-009	1-8	4	217827-001	2-20	19	219120-009
7-3	4	210783-003	2-36	5	215657-011	4-3	1	217885-001	2-20	20	219120-011
7-3	4	210783-005	2-36	6	215657-013	3-1	11	217930-001	2-21	23	219120-011
7-3	4	210783-007	2-36	7	215657-015	4-4	1	217956-001	8-5	1	219124-003
7-3	4	210783-009	2-36	9	215657-019	7-2	1	217967-001	8-5	2	219124-005
7-3	5	210784-001	9-10	6	215657-019	4-1	11	217971-001	8-5	3	219124-007
7-3	4	210785-001	2-36	10	215657-023	1-11	12	218252-147	8-5	4	219124-009
1-8	12	211177-001	9-10	7	215657-023	2-15	13	218252-147	8-5	5	219124-011
1-8	5	211180-001	2-36	11	215657-025	1-11	23	218252-223	8-5	6	219124-013
1-8	9	211184-001	2-36	12	215657-027	2-15	10	218252-223	1-5	11	219136-001
1-8	7	211187-001	2-36	13	215657-029	1-11	27	218253-001	4-1	1	219137-001
1-6	11	211190-001	2-36		215657-031	2-13	14	218253-001	4-1	26	219137-003
1-8	4	211193-001	1-4	14	215664-001	2-32	6	218253-001	4-3	7	219154-001
1-8	3	211194-001	1-5	10	215689-001	8-6	6	218416-007	2-33	1	219177-003
2-16	2	211232-001	1-11	16	215703-001	8-6	7	218416-009	2-33	10	219177-005
2-26	10	211720-003	2-13	8	215704-001	8-6	4	218416-011	2-33	12	219177-007

FIG. NO.	PART NO.	FIG. NO.	PART NO.	FIG. NO.	PART NO.	FIG. NO.	PART NO.				
2-33	13	219177-009	1-18	11	226129-001	3-2	2	227244-001	8-6	18	229367-039
2-33	14	219177-011	1-18	13	226141-001	2-28	2	227246-005	8-6	19	229367-041
2-33	17	219177-013	6-2	9	226195-001	2-28	2	227246-007	8-7	20	229367-043
2-33		219177-015	6-3	9	226195-001	2-28	4	227246-007	3-9	5	229373-001
1-15	1	219186-001	6-2	6	226197-001	2-28	3	227246-011	3-5	10	229375-001
1-15	3	219186-003	6-3	6	226197-001	2-28	4	227246-013	3-1	7	229377-001
4-1	8	219212-001	6-2	6	226199-001	2-7	2	227247-001	3-1	44	229380-001
4-1	8	219236-001	6-3	6	226199-001	2-29		227247-001	1-16	4	229381-001
3-3	7	219249-001	6-2	6	226200-001	2-29	1	227247-003	8-2	5	229386-001
4-5	3	219301-001	6-3	6	226200-001	2-29	2	227247-005	1-11	1	229388-001
1-4	8	219320-001	3-6	3	227000-001	2-29	2	227247-007	9-7	8	229392-001
4-5	13	219362-001	3-1	12	227022-001	2-29	3	227247-007	4-1	23	229393-001
1-4	9	219380-001	3-9	2	227023-001	2-29	3	227247-009	4-1	24	229395-001
1-9	16	219380-001	3-1	9	227036-001	9-2	7	228064-001	2-3	13	229396-001
3-9	18	219380-001	3-1	6	227037-001	8-2	6	228166-001	2-5	17	229403-001
4-3	14	219380-001	1-9	6	227044-003	10-2	6	228511-001	1-18	1	229411-001
2-3	22	219381-001	1-9	12	227052-001	10-2	8	228514-001	1-4	17	229422-001
1-6	4	219397-001	3-1	3	227145-001	10-4		228514-001	4-1	13	229435-001
1-18	9	219399-001	4-4	2	227147-001	10-4	7	228514-003	3-9	17	229476-001
1-18	3	219400-001	8-2	24	227235-001	10-2	7	228516-001	8-2	10	231102-001
1-9	14	219405-001	8-2	25	227236-001	10-2	6	228518-001	5-2	6	231109-001
1-20	4	219412-001	8-3	5	227236-001	2-4	5	229251-001	5-3	4	231109-001
1-20	2	219413-001	3-8	4	227237-001	2-21		229251-001	5-3	5	231109-003
4-4	22	219436-001	2-10	5	227238-001	2-21	19	229251-003	5-3	2	231109-005
1-10	16	219439-001	2-30		227238-001	2-21	20	229251-005	5-3	3	231109-007
3-3	6	219450-001	2-30	1	227238-003	2-21	21	229251-007	5-2	11	231110-001
1-15	5	219467-001	2-30	2	227238-005	2-21	22	229251-009	5-2		231111-001
1-15	7	219468-001	2-30	3	227238-007	4-3	9	229256-001	5-2	10	231111-003
1-15	2	220238-001	2-30	4	227238-009	1-17	3	229261-001	5-3		231113-001
1-14	11	220307-001	2-30	5	227238-011	1-17	9	229262-001	4-2	2	231181-001
1-19	7	220692-001	2-30	6	227238-013	2-3	2	229267-001	4-5	10	231182-001
1-19	8	220693-001	2-30	7	227238-015	3-9	12	229271-001	5-2		231197-001
1-17	2	220710-001	2-30	8	227238-017	3-9	10	229272-001	5-2	3	231197-003
1-18	10	220750-001	2-30	9	227238-019	4-4	11	229275-001	6-1		231212-001
1-18	14	220754-001	2-30	10	227238-021	1-9	11	229276-001	6-2		231218-001
1-12	2	220904-003	2-30	11	227238-023	1-17	6	229278-001	6-3		231219-001
1-14	2	220904-003	2-30	12	227238-025	1-4	16	229281-001	6-3		231220-001
3-1	23	220912-001	2-30	13	227238-027	7-1	2	229285-001	6-2		231221-001
6-1	6	221643-001	2-30		227238-029	1-17	11	229290-001	6-3		231222-001
6-2	6	221643-001	3-4	4	227239-001	3-6	2	229291-001	6-3		231223-001
6-3	6	221643-001	2-10	6	227239-001	3-1	45	229303-001	6-4	1	231224-001
6-2	7	221658-001	3-2	1	227241-003	3-5	11	229306-001	6-4	2	231228-001
6-3	7	221658-001	3-2	3	227241-005	3-5	9	229321-001	1-11	24	231766-003
6-1	6	221806-001	3-2	6	227241-007	3-5	5	229322-001	2-13	13	231766-003
6-2	6	221806-001	3-2	6	227241-009	3-5	4	229323-001	1-11	24	231766-005
6-3	6	221806-001	3-2	6	227241-011	2-9	1	229328-001	2-13	13	231766-005
1-4	11	222313-001	3-2	7	227241-013	2-27		229328-001	1-11	24	231766-032
1-4	3	222314-001	3-2	8	227241-015	3-1	27	229336-001	2-13	13	231766-032
1-11	2	222406-001	3-2	8	227241-017	1-17	1	229337-001	1-13	7	231974-010
3-6	10	224285-001	3-2	9	227241-019	3-7	2	229338-001	6-1	2	231990-001
3-10		224285-001	3-2	11	227241-021	2-18	2	229339-001	6-2	2	231990-001
3-10	1	224285-003	3-3	1	227241-023	3-2	10	229363-001	6-3	2	231990-001
3-10	2	224285-005	3-3	1	227241-025	3-9	6	229364-001	6-1	3	231991-001
3-10	3	224285-007	3-3	2	227241-027	3-9	4	229365-001	6-2	3	231992-001
3-10	4	224285-009	3-3	2	227241-029	8-7	2	229367-005	6-2	8	231993-001
3-10	5	224285-011	3-3	2	227241-031	8-7	4	229367-007	6-2	8	231994-001
3-6	9	224286-001	3-3	3	227241-033	8-7	9	229367-009	6-3	3	231995-001
2-13	1	224591-001	3-3	3	227241-035	8-7	18	229367-013	6-3	3	231996-001
2-32		224591-001	3-3	4	227241-037	8-7	27	229367-017	6-3	8	231997-001
8-6	16	224667-003	3-3	5	227241-039	8-7	28	229367-019	6-3	8	231998-001
8-6	17	224667-005	3-3	5	227241-041	8-7	29	229367-021	6-3	8	231999-001
8-6	22	224667-007	3-3	6	227241-043	8-7	31	229367-023	10-2	3	232408-001
9-7	2	224934-001	3-3	8	227241-047	8-7	32	229367-025	10-2	4	232410-001
7-3	4	224979-001	3-3	8	227241-049	8-6	3	229367-027	10-2	5	232421-001
7-3	4	224990-001	3-3	8	227241-051	8-6	5	229367-029	10-2	17	232422-001
7-3	4	224991-001	2-18	4	227242-001	8-6	8	229367-031	10-5		232422-001
1-10	1	224995-001	3-5	2	227243-001	8-6	12	229367-033	10-5	1	232422-003
1-10	2	225853-001	3-5	3	227243-003	8-6	13	229367-035	10-5	2	232422-005
8-1	13	225854-001	3-5	15	227243-005	8-6	14	229367-037	10-5	3	232422-007

(PAGE 6) D7X11A NAVIGATOR INDEX

<u>FIG. NO.</u>	<u>PART NO.</u>	<u>FIG. NO.</u>	<u>PART NO.</u>	<u>FIG. NO.</u>	<u>PART NO.</u>			
10-5	4	232422-009	1-4	1	235680-001	2-3	6	900041-001
10-5	5	232422-011	1-4	15	235681-001	3-1	39	900869-001
10-5	6	232422-013	1-15	13	235683-001	2-3	1	900963-001
10-5	7	232422-015	9-7	12	235920-001	2-20	2	901057-003
10-5	8	232422-017	9-7	12	235921-001	2-21	2	901057-003
10-5	9	232422-019	9-2	12	236063-001	2-24		901057-003
10-5	10	232422-021	9-2	16	236067-001	2-13	15	901406-001
10-5	11	232422-023	9-2	10	236076-001	2-15	15	901678-005
10-5	12	232422-025	1-13	5	236083-003	2-15	16	901678-007
10-5	14	232422-027	1-12	4	236084-001	9-5	3	901750-001
10-5		232422-029	1-13	1	236084-001	9-9		901750-001
9-3	2	232429-001	1-14	4	236086-001	9-9	1	901750-003
9-6	7	232447-001	1-13		236089-001	9-9	5	901750-005
9-2	15	232449-001	9-2	11	236090-001	9-9		901750-007
9-2	13	232456-001	9-7	3	236097-001	3-1	43	902402-001
10-3	2	232467-001	4-2	10	236103-001	4-1	14	902402-001
10-6		232467-001	4-2	15	236104-001	2-3	9	902424-036
10-6	1	232467-005	2-15	3	236105-001	2-10	9	902424-036
10-6		232467-007	2-36		236105-001	9-5	5	902445-001
10-2	23	232498-001	2-36	1	236105-003	8-1	11	903837-001
9-6	3	232499-001	2-36	8	236105-005	8-1	10	903862-001
9-10		232499-001	9-2	14	236109-001	4-1	6	904346-001
9-10	1	232499-003	2-17	1	236113-001	7-2	13	904355-001
9-10	2	232499-005	2-34		236113-001	3-9	16	904365-001
9-10	4	232499-007	2-34	1	236113-003	4-1	11	904423-001
9-10	12	232499-009	2-34	2	236113-005	1-19	5	904508-001
9-10	13	232499-011	2-34	3	236113-007	2-28	5	904525-003
9-10		232499-013	2-34	4	236113-009	4-1	21	904537-001
7-2	15	234164-001	2-34	5	236113-011	8-7	30	904540-031
7-2	2	234167-001	2-34	6	236113-013	8-7	26	904540-035
2-8	3	234537-001	2-34	7	236113-015	7-3	1	904541-001
2-26		234537-001	2-34	8	236113-017	7-1	1	904546-001
3-8	8	234670-001	2-34	9	236113-019	8-3	3	904576-001
3-6	6	234671-001	2-34	10	236113-021	8-3	2	904577-001
3-8	2	234675-001	2-34	11	236113-023	8-3	1	904578-001
2-14	8	234678-001	2-34	12	236113-025	1-11	5	904672-001
2-33		234678-001	2-34	13	236113-027	1-11	6	904673-001
2-33	2	234678-003	2-34	14	236113-029	1-11	18	904674-001
2-33	9	234678-005	2-34		236113-031	1-11	17	904675-001
8-2	2	234679-001	8-1	5	236253-001	7-1	3	904731-001
8-2	4	234680-001	2-13	16	236275-001	2-10	7	904818-001
8-6		234680-001	1-10	21	236285-001	2-3	7	904819-001
8-7		234680-001	8-2	19	236295-001	8-3		904829-001
8-7	1	234680-003	8-5		236295-001	8-2	22	904831-001
8-7	14	234680-005	8-5	7	236295-003	8-4	1	904882-001
8-7	17	234680-007	8-5	8	236295-005	4-1	6	904995-001
8-7	23	234680-009	8-5		236295-007	4-1	6	905001-001
8-7	24	234680-011	1-10	25	236309-001	1-19	4	905011-001
8-7	25	234680-013	8-1	1	236315-001	1-19	4	905012-001
8-7	33	234680-015	1-5	1	236333-003	8-4	2	905216-001
8-7	34	234680-017	1-5	6	236334-001	4-2	1	905225-001
1-11	20	234684-001	8-1	4	236348-001	4-4	16	905225-001
2-13	12	234685-001	9-7	9	236351-001	4-5	14	905225-001
9-3	3	234691-001	3-1	14	236370-001	8-1	3	905429-003
9-8		234691-001	3-1	19	236373-001	8-2	14	905429-003
9-8	1	234691-003	9-7	6	236376-003	8-2	12	905431-001
9-8	2	234691-005	6-3	8	238750-001	8-2	11	905432-001
9-8	2	234691-007	6-4	3	238751-001			
8-2	3	234744-001	6-4	4	238752-001			
1-11	25	234744-001	5-2		238762-001			
8-2	3	234744-003	5-3		238762-001			
1-11	25	234744-003	5-2		238763-001			
1-18	5	235516-001	5-3		238763-001			
3-1	25	235634-001	1-15	20	238821-001			
3-1	28	235637-001	2-19	2	900034-001			
2-6	2	235675-001	7-2	11	900035-005			
2-28		235675-001	1-10	11	900035-005			
2-28	1	235675-005	2-17	6	900035-005			
2-28	3	235675-007	2-16	6	900036-001			